

PA-28 AND PA-28R

CHEROKEE

AIRPLANE PARTS CATALOG

PA-28-140

PA-28-180

PA-28-150

PA-28-235

PA-28-160

PA-28R-180

PA-28R-200

PIPER AIRCRAFT CORPORATION

PIPER PARTS CATALOG

Published by
Technical Publications

© 1973, 1975-1980, 2004, 2007-2009, 2011, 2013
Piper Aircraft, Inc.
2926 Piper Drive
Vero Beach, Florida 32960
U.S.A.



Member of GAMA
General Aviation
Manufacturers Association

PIPER PARTS CATALOG

REVISIONS STATUS

The information contained in this Parts Catalog is kept current by revisions distributed periodically. Each revision is a complete replacement and supersedes all previous revisions of this Parts Catalog.

Revisions to this PA-28 and PA-28R Parts Catalog (753-582) issued August 16, 1973 are as follows:

<u>Effectivity</u>	<u>Publication Date</u>	<u>Aerofiche Card Effectivity</u>
ORG730816	August 16, 1973	1, 2 and 3
CR130410	April 10, 2013	N/A

This parts catalog and other Piper publications are available as described in the Owner Publications Catalog (part of the Customer Service Information File, available as described below).

Consult the "Customer Service Information File" (free from the Piper website at <http://www.piper.com/pages/publications.cfm>) to verify that you have the latest revision.

INTRODUCTION

This illustrated Parts Catalog provides simple, positive identification of replacement parts for the Piper Model PA-28-140/150/160/180/235 and PA-28R-180/200 manufactured by the Piper Aircraft Corporation of Vero Beach, Florida.

NOTE: DO NOT USE THIS CATALOG FOR RIGGING AND INSTALLATION PURPOSES.

1. The catalog is divided into thirteen major sections as follows:
 - a. Section 1 to 10 inclusive contains all replacement parts for the complete airplane. Each section is subdivided and each division includes an illustration and a parts listing.
 - b. Section 11 is the Miscellaneous Group. This group includes an illustration and parts list for the Placards and Exterior Stencils, a listing of the Optional Equipment Kits, Repair kits and Special Tools, and a listing of Miscellaneous Hardware and Consumables.
2. The following is a brief explanation of the columns in the parts lists: (Refer to EXAMPLE below).
 - a. The FIGURE AND INDEX NUMBER column indicates the illustration figure number and its part index number. EXAMPLE: (2-1), the 2 is the figure number and the 1 is the index number. The figure number appears only at the top of each parts list page.
 - b. The PART NUMBER column contains the identifying number of the replacement part and this number must be shown on all parts orders. See also Alternate Part Numbers, below.
 - c. The CODE column is for the purpose of indicating special uses of the part. An explanation of the letter code used is shown on the grid (page) preceding each parts listing and pertains to that listing only.
 - d. The NOMENCLATURE column indicates the part name. This name must be shown on all parts orders.
 - e. The NO. REQ. (Number Required) column represents the total quantity of parts used per figure when the part is not indented and the quantity of parts used per assembly when the part is indented. The symbol AR listed in this column means As Required.
 - f. The SERIAL NUMBERS AFFECTED column indicates the part application by airplane serial number. Unless otherwise noted, serial numbers listed with the model year and up (ex. 28-7716001 and up) are intended to include the new style of serial numbers that do not reference the model year (ex. 2816001 and up).

EXAMPLE

Figure and Index Number	Part Number	Code	NOMENCLATURE	No. Req.	SERIAL NUMBERS AFFECTED
2 -1	XXXXX-XX		DOOR ASSEMBLY - Baggage compartment	X	
-2	XXXXX-XX		* TUBE ASSEMBLY - Baggage door latch	X	
-3	XXXXX-XX		* * CLEVIS - Door latch tube assembly	X	
-4	XXXXX-XX		* * CLIP - Door latch tube assembly	X	

In the nomenclature column, the next higher assembly relationship of items covered is shown by the degree of indentation of each item and is indicated by an asterisk (*). One asterisk signifies one indentation, two signifies two indentions, etc. The example listing above is interpreted as follows:

If the DOOR ASSEMBLY (not indented) is ordered, it will include the three items indented under the DOOR ASSEMBLY.

If the TUBE ASSEMBLY (indented one space) is ordered, it will include the two items indented under the TUBE ASSEMBLY.

If you want only a CLEVIS or CLIP, you order only that item.

PIPER PARTS CATALOG

GRID NUMBERING

Piper has ceased production of all Aerofiche (i.e., microfiche) products effective October 2008 and accordingly the Aerofiche grid numbering system has been discontinued in this Parts Catalog.

HOW TO IDENTIFY A PART IF YOU KNOW WHAT IT LOOKS LIKE AND KNOW WHERE IT IS LOCATED

1. Refer to Figure 1 to determine the section number in which the part is used.
2. Refer to the Table of Contents and locate the section. Note the figure numbers that illustrate the various subgroups of this main section. Select the figure title you think might contain the part you wish to identify and proceed to the grid (page) specified. If you don't find the part on this illustration, try another figure in this group.
3. Refer to Figure and Index Number in the parts listing for description of the part.

HOW TO ORDER PARTS

When ordering parts for Piper airplanes, please observe the following instructions:

1. Place your order with your local distributor or service center.
2. Specify the model and serial number of your airplane.
3. Specify Part Number, Name, Type and Quantity Required.
4. Specify the method of shipment — freight, express, parcel post, air express, air freight or air parcel post. Where the nature of the shipment requires it or when no instructions are given, we reserve the right to ship the most suitable way.
5. Request price and delivery information prior to order placement.

ALTERNATE PART NUMBERS

The part number received may differ from the part number ordered. Typical part numbers include a 4, 5, or 6 digit base number followed by a 1, 2, or 3 digit suffix; i.e., XXXXX-XXX. Leading zeros may not be present. For example, if you order 86957-003, the part you receive may be marked 86957-3, 86957-03, or 86957-003. Additionally, in some cases, the -XXX part number may be superseded/replaced by a -8XX part number. Typically, the -XXX part is used in production and the -8XX part is used for service. Actual differences between the parts are minor, such as fewer holes, primer applied or not, etc., but the parts are otherwise identical and interchangeable.

GENERAL INFORMATION

1. Shortages
All orders are checked before leaving our Shipping Department. A packing slip is enclosed with the shipment. Claims for errors or shortages must be made within three days after receipt of orders.
2. Returned Goods
No material should be returned without first securing written permission. Material sent in without notice will be held at the owner's risk for thirty days and will then be disposed of as we see fit.

Transportation charges must be prepaid on returned goods or the shipment will be refused.

3. Transportation Liabilities
Piper Aircraft cannot be held liable for damages to parts in transit from the factory. If a shipment is received in a damaged condition, have the delivery man or transportation company make a notation of the damage and file your claim with the carrier. In case of concealed damage, do not attempt to remove the part from the shipping container, or try to repair the damage, call the carrier and have their claim agent inspect the damage before filing your claim with the carrier.
4. Components
Components listed in this Parts Catalog are used on all configurations unless otherwise noted.

PIPER PARTS CATALOG

PA-28 AND PA-28R SERIAL NUMBER INFORMATION

The following information should be kept in mind when ordering from this catalog:

- a. The serial numbers of the aircraft covered by this Part Catalog are as follows:
- (1) Serial numbers of the 1961 PA-28-150 and PA-28-160 Cherokee Models are 28-1 to 28-84 inclusive.
 - (2) Serial numbers of the 1962 PA-28-150 and PA-28-160 Cherokee Models are 28-85 to 28-670 inclusive.
 - (3) Serial numbers of the 1963 and 1964 PA-28-150 and PA-28-160 Cherokee "B" Models are 28-725 to 28-1760 inclusive.
 - (4) Serial numbers of the 1963 and 1964 PA-28-180 Cherokee "B" Models are 28-671 to 28-1760 inclusive.
 - (5) Serial numbers of the 1965, 1966 and 1967 PA-28-150, PA-28-160 and PA-28-180 Cherokee "C" Models are 28-1761 to 28-4377 inclusive.
 - (6) Serial numbers of the 1968 and 1969 PA-28-180 Cherokee "D" Models are 28-4378 to 28-5600 inclusive.
 - (7) Serial numbers of the 1970 PA-28-180 Cherokee "E" Models are 28-5601 to 28-5869 inclusive.
 - (8) Serial numbers of the 1971 PA-28-180 Cherokee "F" Models are 28-7105001 to 28-7105244 inclusive.
 - (9) Serial numbers of the 1972 PA-28-180 Cherokee "G" Models are 28-7205001 to 28-7205328 inclusive.
 - (10) Serial numbers of the 1973 PA-28-180 Cherokee Challenger Models are 28-7305001 to 28-7305611 inclusive, and 28-13. (SEE NOTES)
 - (11) Serial numbers of the 1974 PA-28-180 Cherokee Archer Models are 28-7405001 to 28-7405290 inclusive.
 - (12) Serial numbers of the 1975 PA-28-180 Cherokee Archer Models are 28-7505001 to 28-7505261 inclusive.
 - (13) Serial numbers of the 1965, 1966, 1967 and 1968 PA-28-140 Cherokee Models are 28-20002 to 28-24999 inclusive.
 - (14) Serial numbers of the 1969 PA-28-140 Cherokee "B" Models are 28-25001 to 28-26400 inclusive.
 - (15) Serial numbers of the 1970 PA-28-140 Cherokee "C" Models are 28-26401 to 28-26956 inclusive.
 - (16) Serial numbers of the 1971 PA-28-140 Cherokee "D" Models are 28-7125001 to 28-7125651 inclusive.
 - (17) Serial numbers of the 1972 PA-28-140 Cherokee "E" Models are 28-7225001 to 28-7225612 inclusive.
 - (18) Serial numbers of the 1973 PA-28-140 Cherokee Cruiser Models are 28-7325001 to 28-7325684 inclusive.
 - (19) Serial numbers of the 1974 PA-28-140 Cherokee Cruiser Models are 28-7425001 to 28-7425454 inclusive.
 - (20) Serial numbers of the 1975 PA-28-140 Cherokee Cruiser Models are 28-7525001 to 28-7525350 inclusive.
 - (21) Serial numbers of the 1976 PA-28-140 Cherokee Cruiser Models are 28-7625001 to 28-7625275 inclusive.
 - (22) Serial numbers of the 1977 PA-28-140 Cherokee Cruiser Models are 28-7725001 to 28-7725290 inclusive.
 - (23) Serial numbers of the 1964, 1965 and 1966 PA-28-235 Cherokee Models are 28-10003 to 28-10719 inclusive.
 - (24) Serial numbers of the 1967 and 1968 PA-28-235 Cherokee "B" Models are 28-10720 to 28-11039 inclusive.
 - (25) Serial numbers of the 1969 PA-28-235 Cherokee "C" Models are 28-11040 to 28-11300 inclusive.
 - (26) Serial numbers of the 1970 PA-28-235 Cherokee "D" Models are 28-11301 to 28-11393 inclusive.
 - (27) Serial numbers of the 1971 PA-28-235 Cherokee "E" Models are 28-7110001 to 28-7110042 inclusive.
 - (28) Serial numbers of the 1972 PA-28-235 Cherokee "F" Models are 28-7210001 to 28-7210033 inclusive.
 - (29) Serial numbers of the 1973 PA-28-235 Cherokee Charger Models are 28-7310001 to 28-7310187 inclusive, and 28-E11. (SEE NOTES)
 - (30) Serial numbers of the 1974 PA-28-235 Cherokee Pathfinder Models are 28-7410001 to 28-7410120 inclusive.
 - (31) Serial numbers of the 1975 PA-28-235 Cherokee Pathfinder Models are 28-7510001 to 28-7510145 inclusive.
 - (32) Serial numbers of the 1976 PA-28-235 Cherokee Pathfinder Models are 28-7610001 to 28-7610206 inclusive.
 - (33) Serial numbers of the 1977 PA-28-235 Cherokee Pathfinder Models are 28-7710001 to 28-7710089 inclusive.

NOTES: 1. PA-28-180 with serial number 28-E13 and PA-28-235 with serial number 28-E11 are not referenced in the various Parts Lists throughout this catalog.

- a. PA-28-180 with serial number 28-E13 is to be serviced the same as serial number 28-7305001.
- b. PA-28-235 with serial number 28-E11 is to be serviced the same as serial number 28-7310001.

2. Refer to page viii for an explanation of the various serial numbers that were used and appear on the manufacturer's identification plate.

PIPER PARTS CATALOG

PA-28 AND PA-28R SERIAL NUMBER INFORMATION (cont.)

- (34) Serial numbers of the 1968 and 1969 PA-28R-180 Cherokee Arrow Models are 28R-30005 to 28R-30481 inclusive, and 28R-30005 to 28R-30481 inclusive, and 28R-30483 to 28R-31250 inclusive.
- (35) Serial numbers of the 1970 PA-28R-180 Cherokee Arrow Models are 28R-31251 to 28R-31279 inclusive.
- (36) Serial numbers of the 1971 PA-28R-180 Cherokee Arrow "B" Models are 28R-7130001 to 28R-7130029 inclusive.
- (37) Serial numbers of the 1969 and 1970 PA-28R-200 Cherokee Arrow Models are 28R-30482, 28R-35001 to 28R-35830 inclusive.
- (38) Serial numbers of the 1971 PA-28R-200 Cherokee Arrow "B" Models are 28R-7135001 to 28R-7135238 inclusive.
- (39) Serial numbers of the 1972 PA-28R-200 Arrow II Models are 28R-7235001 to 28R-7235330 inclusive.
- (40) Serial numbers of the 1973 PA-28R-200 Arrow II Models are 28R-7335001 to 28R-7335455 inclusive.
- (41) Serial numbers of the 1974 PA-28R-200 Arrow II Models are 28R-7435001 to 28R-7435331 inclusive.
- (42) Serial numbers of the 1975 PA-28R-200 Arrow II Models are 28R-7535001 to 28R-7535323 inclusive.
- (43) Serial numbers of the 1976 PA-28R-200 Arrow II Models are 28R-7635001 to 28R-7635545 inclusive.

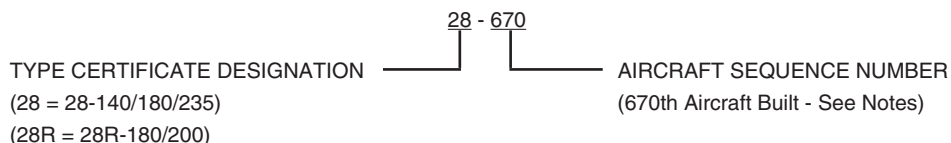
NOTE: Refer to page viii for an explanation of the various serial numbers that were used and appear on the manufacturer's identification plate.

PIPER PARTS CATALOG

PA-28 AND PA-28R SERIAL NUMBER EXPLANATION

For aircraft manufactured prior to 1971 model year, the Serial Number on the Manufacturer's Identification Plate is based on a 2-number set system. The first number set defines the Type Certificate Designation while the second set is the Aircraft Sequence Number.

EXAMPLE - Aircraft manufactured prior to 1971 model year.

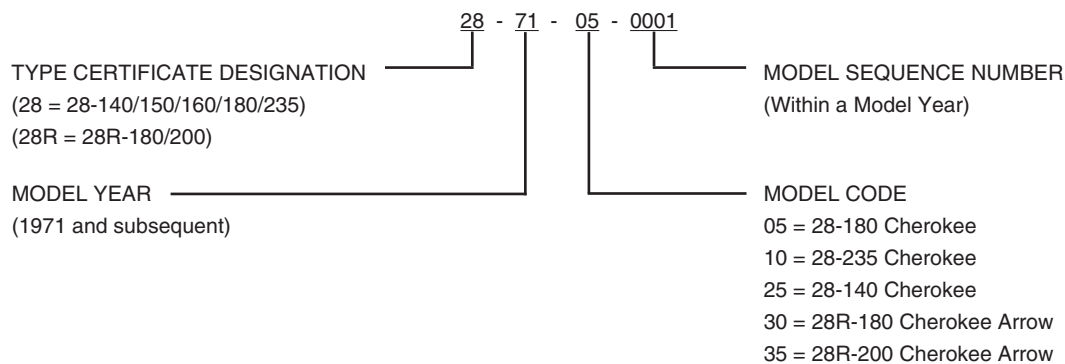


NOTES:

- a. Aircraft Sequence Numbers for PA-28-150/160/180 are 1 thru 5869 inclusive.
- b. Aircraft Sequence Numbers for PA-28-235 are 10003 thru 11393 inclusive.
- c. Aircraft Sequence Numbers for PA-28-140 are 20002 thru 26956 inclusive.
- d. Aircraft Sequence Numbers for PA-28R-180 and PA-28R-200 are 30005 thru 35830 inclusive.

For aircraft manufactured in the 1971 model year and subsequent, the Serial Number on the Manufacturer's Identification Plate is based on a 4-number set system. The first number set defines the Type Certificate Designation, the second set is the Model Year, the third set is the Model Code, while the fourth set is the Model Sequence Number (within a model year).

EXAMPLE - Aircraft manufactured in 1971 model year and subsequent.



PIPER PARTS CATALOG

STANDARD PAINT CHART

	MFG. NO.	PIPER PART NUMBER	
EXTERIOR		QUART	GALLON
ENAMEL			
Daytona	J-9545	751-700	751-701
Bahama Blue	H-9170	751-714	751-715
Phoenix	W-3557	754-718	754-719
Portland Green	W-3558	754-724	754-725
Pontiac Red	W-3665	754-716	754-717
El Paso Brown (Metallic)	W-8433	754-737	754-738
Tampa Green (Metallic)	W-8427	754-739	754-740
Newport Blue (Metallic)	W-8430	754-741	754-742
ACRYLIC LACQUER			
Pontiac Red	B-7943	4175-592	1175-592
Tampa Green	B-5430	4175-360	1175-360
Newport Blue	B-5501	4175-434	1175-434
Monterey Maroon (base coat)	K-2789	4175-441	1175-441
Monterey Maroon (top coat)	B-5480	4175-437	1175-437
Juneau White	B-7784-A	4175-657	1175-657
Lakeland Blue	B-5440	4175-433	1175-433
Orlando Green	B-5490	4175-361	1175-361
Mocha Tan	B-5450	4175-627	1175-627
Denver Brown (base coat)	K-2790	4175-299	1175-299
Denver Brown (top coat)	B-5460	4175-409	1175-409
Madrid Red	B-5511	4175-593	1175-593
Dakota Black	H-6117-R	4175-373	1175-373
Beaumont Blue	B-5530	4175-435	1175-435
Bahama Blue	B-9170	4175-436	1175-436
Bimini Turquoise	B-9915	4175-438	1175-438
Nassau Turquoise	B-9914	4175-439	1175-439
Reno Gold	B-9916	4175-345	1175-345
Lincoln Gray	B-7919	4175-362	1175-362
Dallas Yellow	Y-5783	4175-701	1175-701
Ocala Orange (base coat)	P-7946	4175-499	1175-499
Ocala Orange (top coat)	C-2065-A	4175-500	1175-500
Polar Gray	Y-6100-R	4175-341	1175-341
Las Vegas Gold	G-2124-A	4175-332	1175-332
Avocado	G-2352	4175-331	1175-331
Thinner	B-5408-B	4179-102	1179-102
SPRAY PAINT FOR THERMOPLASTIC INTERIOR TRIM PANELS	(Offered only in 16-ounce aerosol cans)		
Avocado Green		766-007	
White		766-008	
Tan		766-009	
Red		766-010	
Dark Blue		766-011	
Light Blue		766-012	
Sandstone		766-013	
Gloss Black		766-014	
Dark Brown		766-015	
Brown		766-016	
Blue-Green		766-017	
Optical Flat Black		766-018	

THIS PAGE INTENTIONALLY LEFT BLANK

TABLE OF CONTENTS

FIGURE NUMBER	FIGURE TITLE	GRID NUMBER
1	View of Complete Airplane.....	xvi
 SECTION 1 WING GROUP 		
2	Wing Installation (PA-28-140/150/160/180/235, PA-28R-180/200)	1-3
3	Wing Leading Edge Assembly (PA-28-140/150/160/180/235, PA-28R-180/200).....	1-9
4	Wing Trailing Edge Assembly (PA-28-140/150/160/180/235).....	1-13
5	Wing Trailing Edge Assembly (PA-28R-180/200)	1-17
6	Aileron Assembly (PA-28-140/150/160/180/235, PA-28R-180/200)	1-21
7	Flap Assembly	1-25
 SECTION 2 FUSELAGE GROUP 		
8	Complete Fuselage (PA-28-140 - S/N 28-20002 and up, PA-28-150/160/180 - S/N 28-1 to 28-4377 incl., PA-28-235 - S/N 28-10003 to 28-11039 incl.)	2-3
9	Complete Fuselage (PA-28-180 - S/N 28-4378 to 28-7505261 incl., PA-28-235 S/N 28-11040 and up, PA-28R-180 - S/N 28R-30005 to 28R-30481 incl., 28R-30483 to 28R-7130019 incl., PA-28R-200 S/N 28R-30482, 28R-35001 and up).....	2-13
10	Upper Forward Cockpit Assembly (PA-28-140/150/160/180/235).....	2-27
11	Upper Forward Cockpit Assembly (PA-28R-180/200)	2-37
12	Upper Center Cockpit Assembly	2-43
13	Lower Forward Cockpit Assembly.....	2-61
14	Lower Aft Cockpit Assembly	2-75
15	Fuselage Aft Section	2-81
16	Instrument Panel Installation (PA-28-140 - S/N 28-20002 to 28-24999 incl., PA-28-150/160/180 S/N 28-1 to 28-4377 incl., PA-28-235 - S/N 28-10003 to 28-11039 incl.).....	2-89
17	Instrument Panel Installation (PA-28-140 - S/N 28-25000 and up, PA-28-180 - S/N 28-4378 and up, PA-28-235 - S/N 28-11040 and up, PA-28R-180 - S/N 28R-30005 to 28R-30481 incl., 28R-30483 to 28R-7130019 incl., PA-28R-200 - S/N 28R-30482, 28R-35001 and up)	2-97
18	Vacuum System Installation (PA-28-140 - S/N 28-20002 to 28-24999 incl., PA-28-150/160/180 S/N 28-1 to 28-4377 incl., PA-28-235 - S/N 28-10003 to 28-11039 incl.).....	2-119
19	Vacuum System Installation (PA-28-180 - S/N 28-4378 to 28-5121, 28-5123 to 28-5129, 28-5180 to 28-5227 incl., PA-28R-180 - S/N 28R-30005 to 28R-30481 incl., 28R-30483 to 28R-30878 incl.).....	2-125
19A	Vacuum System Installation (PA-28-140 - S/N 28-25000 to 28-26956 incl., PA-28-180 - S/N 28-5122, 28-5130 to 28-5179 incl., 28-5228 to 28-5869 incl., PA-28-235 - S/N 28-11040 to 28-11393 incl., PA-28R-180 - S/N 28R-30879 to 28R-31279 incl., PA-28R-200 - S/N 28R-30482, 28R-35001 to 28R-35830 incl.).....	2-129
19B	Vacuum System Installation (PA-28-140 - S/N 28-7125001 and up, PA-28-180 - S/N 28-7105001 and up, PA-28-235 - S/N 28-7110001 and up, PA-28R-180 - S/N 28R-7130001 and up, PA-28R-200 S/N 28R-7135001 and up)	2-133
20	Pitot-Static System Installation (PA-28-140 - S/N 28-20002 to 28-24999 incl., PA-28-150/160/180 S/N 28-1 to 28-4377 incl., PA-28-235 - S/N 28-10003 to 28-11039 incl.).....	2-137

TABLE OF CONTENTS

FIGURE NUMBER	FIGURE TITLE	GRID NUMBER
SECTION 2 (CONT.) FUSELAGE GROUP		
21	Pitot-Static System Installation (PA-28-140 - S/N 28-25000 and up, PA-28-180 S/N 28-4378 and up, PA-28-235 - S/N 28-11040 and up, PA-28R-180 - S/N 28R-30005 to 28R-30481 incl., 28R-30483 and up, PA-28R-200 - S/N 28R-30482, 28R-35001 and up).....	2-143
22	Fuselage Enclosure Installation (PA-28-140 - S/N 28-20002 to 28-7225612 incl., PA-28-150/160/180 S/N 28-1 to 28-4377 incl., PA-28-235 - S/N 28-10003 to 28-11039 incl.)	2-147
22A	Fuselage Enclosure Installation (PA-28-235 - S/N 28-11040 to 28-7210033 incl.).....	2-155
23	Fuselage Enclosure Installation (PA-28-180 - S/N 28-4378 to 28-7205328 incl., PA-28R-180 S/N 28R-30005 to 28R-30481 incl., 28R-30483 to 28R-7130019 incl., PA-28R-200 - S/N 28R-30482, 28R-35001 to 28R-7235330 incl.)	2-159
23A	Fuselage Enclosure Installation (PA-28-180 - S/N 28-7305001 and up, PA-28-235 S/N 28-7310001 and up, PA-28R-200 - S/N 28R-7335001 and up)	2-165
23B	Fuselage Enclosure Installation (PA-28-140 - S/N 28-7325001 and up)	2-173
24	Cabin and Baggage Door Installation (PA-28-140 - S/N 28-20002 to 28-7625030 incl., PA-28-150/160/180 - S/N 28-1 to 28-7505261 incl., PA-28-235 - S/N 28-10003 to 28-7610020 incl., PA-28R-180, PA-28R-200 - S/N 28R-30482, 28R-35001 to 28R-7635017 incl.).....	2-179
24A	Cabin and Baggage Door Installation (PA-28-140 - S/N 28-7625031 and up, PA-28-235 S/N 28-7610021 and up, PA-28R-200 - S/N 28R-7635018 and up)	2-207
25	Cockpit Finishing Installation (PA-28-150/160/180 - S/N 28-1 to 28-4377 incl., PA-28-235 S/N 28-1003 to 28-11039 incl.	2-213
26	Cockpit Finishing Installation (PA-28-140)	2-227
27	Cockpit Finishing Installation (PA-28-180 - S/N 28-4378 and up, PA-28R-180 - S/N 28R-30005 to 28R-30482 incl. 28R-30483 and up, PA-28R-200 - S/N 28R-30482, 28R-35001 and up)	2-243
27A	Cockpit Finishing Installation (PA-28-235 - S/N 28-11040 and up).....	2-279
27B	Window Curtains Installation (PA-28-235 - S/N 28-7710001 and up, PA-28R-200 S/N 28R-7635504 and up)	2-295
28	Seats Installation (PA-28-140 - S/N 28-20002 to 28-26956 incl., PA-28-150/160/180 S/N 28-1 to 28-5869 incl., PA-28-235 - S/N 28-10003 to 28-11393 incl., PA-28R-180 S/N 28R-30005 to 28R-30481 incl., 28R-30483 to 28R-31279 incl., PA-28R-200 - S/N 28R-30482, 28R-35001 to 28R-31279 incl.).....	2-299
28A	Seats Installation (PA-28-140 - S/N 28-7125001 and up, PA-28-180 - S/N 28-7105001 and up, PA-28-235 - S/N 28-7110001 and up, PA-28R-180 - S/N 28R-7130001 and up PA-28R-200 S/N 28R-7135001 and up)	2-315
28B	Vertically Adjustable Front Seat Assembly (PA-28-140 - S/N 28-26401 to 28-7325684 incl., PA-28-180 S/N 28-5601 to 28-7305611 incl., PA-28-235 - S/N 28-11301 to 28-7310187 incl., PA-28R-180 - S/N 28R-31251 to 28R-7130019 incl., PA-28R-200 - S/N 28R-35601 to 28R-7335455 incl.).....	2-339
28C	Vertically Adjustable Front Seat Assembly (PA-28-140 - S/N 28-7425061 and up, PA-28-180 - S/N 28-7405035 and up, PA-28-235 - S/N 28-7410027 and up, PA-28R-200 - S/N 28R-7435035 and up).....	2-345
29	Rear Seat Installation (PA-28-140)	2-353
30	Cabin Heat, Defroster and Fresh Air System (PA-28-140 - S/N 28-20002 to 28-24999 incl., PA-28-150/160/180 - S/N 28-1 to 28-1760 incl.).....	2-357
31	Cabin Heat Defroster and Fresh Air System (PA-28-235 - S/N 28-10003 to 28-11039 incl., PA-28-150/160/180 - S/N 28-1761 to 28-4377 incl.).....	2-363

TABLE OF CONTENTS

FIGURE NUMBER	FIGURE TITLE	GRID NUMBER
SECTION 2 (CONT.) FUSELAGE GROUP		
31A	Cabin Heat and Defroster Installation (PA-28-180 - S/N 28-4378 and up, PA-28-235 - S/N 28-11040 and up).....	2-371
31B	Cabin Heat and Defroster Installation (PA-28-140 - S/N 28-25000 and up).....	2-377
32	Cabin Heat and Defroster Installation (PA-28R-180/200)	2-381
32A	Air Conditioning Compressor, Refrigerant Lines and Alternator Installation (PA-28-140 S/N 28-250001, 28-7125472 and up, PA-28-180 - S/N 28-5653, 28-7205092 and up, PA-28R-200 - S/N 28R-7235001 and up)	2-387
32B	Air Conditioning Duct and Evaporator Installation (PA-28-140 - S/N 28-25001, 28-7125472 and up, PA-28-180 - S/N 28-5653, 28-7205092 and up, PA-28R-200 - S/N 28R-7235001 and up)	2-393
32C	Air Conditioning Condenser Installation (PA-28-140 - S/N 28-25001, 28-7125472 and up, PA-28-180 - S/N 28-5653, 28-7205092 and up, PA-28R-200 - S/N 28R-7235001 and up)	2-399
32D	Cabin Overhead Air Vent Installation (PA-28-140 - S/N 28-26401 to 28-7325684 incl., PA-28-180 - S/N 28-5601 to 28-7305611 incl., PA-28-235 - S/N 28-11301 to 28-7310187 incl., PA-28R-180 - S/N 28R-31251 to 28R-7130019 incl., PA-28R-200 S/N 28R-35601 to 28R-7335455 incl.).....	2-403
32E	Fresh Air Ventilation Installation (PA-28-140 - S/N 28-7425001 and up, PA-28-180 - S/N 28-7405001 and up, PA-28-235 - S/N 28-7410001 and up, PA-28R-200 - S/N 28R-7435001 and up).....	2-407
SECTION 3 CHASSIS GROUP		
33	Nose Gear Installation (PA-28-140/150/160/180/235).....	3-3
33A	Nose Gear Strut Assembly (PA-28-140/150/160/180/235).....	3-11
34	Nose Gear Installation (PA-28R-180/200)	3-17
35	Nose Gear Assembly (PA-28R-180/200).....	3-25
36	Nose Wheel Assembly (Cleveland).....	3-29
36A	Nose Wheel Assembly (McCauley) (PA-28-140/150/160/180/235).....	3-33
36B	Nose Wheel Assembly (McCauley) (PA-28R-180/200)	3-37
37	Main Gear Installation (PA-28-140/150/160/180/235).....	3-41
38	Main Gear Installation (PA-28R-180/200).....	3-47
39	Main Gear Assembly (PA-28R-180/200).....	3-53
40	Main Wheel Assembly	3-57
41	Brake Assembly	3-61
42	Landing Gear Door Installation (PA-28R-180/200)	3-65
43	Main and Nose Wheel Fairing Installation (PA-28-140/150/160/180/235).....	3-69
44	Main Landing Gear Strut Fairing Installation (PA-28-140/150/160/180/235).....	3-73
45	Hand Brake Installation (PA-28-150/160 - S/N 28-1 to 28-250 incl.)	3-77
46	Hand Brake Installation (PA-28-150/160/180 - S/N 28-251 and up, PA-28-140 - S/N 28-20002 and up, PA-28-235 - S/N 28-10003 and up)	3-81
47	Hand Brake Installation (PA-28R-180/200).....	3-87
48	Toe Brake Installation,	3-91
48A	Toe Brake Master Cylinder Assembly.....	3-97
49	EDO Float Installation (PA-28S-180 - S/N 28S-671 to 28S-7205328 incl.)	3-101

TABLE OF CONTENTS

FIGURE NUMBER	FIGURE TITLE	GRID NUMBER
SECTION 4		
TAIL SURFACES GROUP		
50	Tail Surfaces Installation.....	4-3
50A	Fin Assembly	4-11
50B	Rudder Assembly.....	4-17
50C	Stabilator Assembly (PA-28-150/160/180 - S/N 28-1 to 28-7205328 incl., PA-28-140 - S/N 28-20002 and up, PA-28-235 - S/N 28-10003 to 28-7205328 incl., PA-28R-180 - S/N 28R-30005 to 28R-30481, 28R-30483 to 28R-7130019 incl., PA-28R-200 - S/N 28R-30482, 28R-35001 to 28R-7135238 incl.)	4-21
50D	Stabilator Assembly (PA-28-180 - S/N 28-7305001 and up, PA-28-235 - S/N 28-7310001 and up, PA-28R-200 - S/N 28R-7235001 and up).....	4-25
SECTION 5		
FUEL SYSTEM GROUP		
51	Fuel System Installation (PA-28-140)	5-3
52	Fuel System Installation (PA-28-150/160/180 - S/N 28-1 to 28-1760 incl.)	5-9
53	Fuel System Installation (PA-28-150/160/180 - S/N 28-1761 and up).....	5-17
54	Fuel System Installation (PA-28R-180/200).....	5-23
55	Fuel System Installation (PA-28-235)	5-29
SECTION 6		
POWERPLANT GROUP		
56	Powerplant Installation (PA-28-140 - S/N 28-20002 and up, PA-28-150/160/180 S/N 28-1 to 28-1760 incl.)	6-3
57	Powerplant Installation (PA-28-150/160/180 - S/N 28-1761 to 28-4377 incl.)	6-13
57A	Powerplant Installation (PA-28-180 - S/N 28-4378 and up).....	6-19
57B	Engine Controls Installation (PA-28-140 - S/N 28-25000 and up, PA-28-180 - S/N 28-4378 and up, PA-28-235 - S/N 28-11040 to 28-7210033 incl.).....	6-23
57C	Engine Controls Installation (PA-28-235 - S/N 28-7310001 and up)	6-31
58	Powerplant Installation (PA-28R-180/200).....	6-35
59	Engine Controls Installation (PA-28R-180/200)	6-43
60	Engine Exhaust System Installation (PA-28-140/150/160/180)	6-51
61	Engine Exhaust System Installation (PA-28R-180/200).....	6-57
62	Engine Baffle Installation (PA-28-140/150/160/180).....	6-61
63	Engine Baffle Installation (PA-28R-180/200)	6-65
64	Engine Cowl Installation (PA-28-140/150/160/180)	6-69
65	Engine Cowl Installation (PA-28R-180/200).....	6-75
66	Powerplant Installation (PA-28-235)	6-79
67	Constant Speed Propeller Installation (PA-28-235 - S/N 28-10166 to 28-11039 incl.).....	6-87
67A	Constant Speed Propeller Installation (PA-28-235 - S/N 28-11040 to 28-7210033 incl.).....	6-91
67B	Propeller Assembly (Hartzell) (PA-28-235, PA-28R-180/200)	6-95
67C	Propeller Assembly (McCauley) (PA-28R-200).....	6-99

TABLE OF CONTENTS

FIGURE NUMBER	FIGURE TITLE	GRID NUMBER
SECTION 7		
ELECTRICAL SYSTEM GROUP		
68	Electrical System Installation	7-3
68A	Air Conditioning Electrical Installation (PA-28-140 - S/N 28-25001, 28-7125472 and up, PA-28-180 - S/N 28-5653, 28-7205092 and up, PA-28R-200 - S/N 28R-7235001 and up)	7-13
69	Instrument Panel Electrical Installation (PA-28-140 - S/N 28-20002 to 28-24999 incl., PA-28-150/160/180 - S/N 28-1 to 28-4377 incl., PA-28-235 - S/N 28-10003 to 28-11039 incl.).....	7-17
69A	Instrument Panel Electrical Installation (PA-28-140 - S/N 28-25000 to 28-7425454 incl.).....	7-21
70	Instrument Panel Electrical Installation (PA-28-140 - S/N 28-7525001 and up, PA-28-180 - S/N 28-4378 and up, PA-28-235 - S/N 28-11040 and up, PA-28R-180 S/N 28R-30005 to 28R-30481 incl., 28R-30483 and up, PA-28R-200 S/N 28R-30482, 28R-35001 and up).....	7-25
71	Alternator Installation (Chrysler).....	7-33
71A	Alternator Assembly (Prestolite) (PA-28-140 - S/N 28-25001, 28-7125472 and up, PA-28-180 - S/N 28-5653, 28-7205092 and up, PA-28R-200 - S/N 28R-7235001 and up).....	7-39
72	External Power Supply Installation (PA-28-150/160/180/235, PA-28R-180/200)	7-43
73	External Power Supply Installation (PA-28-140)	7-47
73A	Strobe Light Installation (PA-28-140/180/235, PA-28R-180/200)	7-51
73B	Battery Installation	7-55
SECTION 8		
CONTROL SYSTEM GROUP		
74	Control System Installation (PA-28-140/150/160/180/235).....	8-3
75	Control System Installation (PA-28R-180/200)	8-9
76	Flap Control Installation	8-15
77	Stabilator Trim Installation (PA-28-140 - S/N 28-20002 to 28-7225612 incl., PA-28-150/160/180 - S/N 28-1 to 28-4377 incl., PA-28-235 - S/N 28-10003 to 28-10719 incl.).....	8-23
78	Stabilator Trim Installation (PA-28-140 - S/N 28-7325001 and up, PA-28-180 - S/N 28-4378 and up, PA-28-235 - S/N 28-10720 and up, PA-28R-180 - S/N 28R-30005 to 28R-30481 incl., 28R-30483 and up, PA-28R-200 - S/N 28R-30482, 28R-35001 and up).....	8-31
79	Rudder Trim Mechanism Installation.....	8-37
80	Control Wheel Installation (PA-28-150/160/180 - S/N 28-1 to 28-4377 incl., PA-28-140 - S/N 28-20002 and up, PA-28-235 - S/N 28-10003 to 28-11039 incl.).....	8-43
81	Control Wheel Installation (PA-28-180 - S/N 28-4378 and up, PA-28-235 - S/N 28-11040 and up, PA-28R-180 - S/N 28R-30005 to 28R-30481 incl., 28R-30483 and up, PA-28R-200 - S/N 28R-30482, 28R-35001 and up)	8-51
82	Rudder Pedal Installation (PA-28-140/150/160/180/235)	8-55
83	Rudder Pedal Installation (PA-28R-180/200).....	8-63
SECTION 9		
HYDRAULIC SYSTEM GROUP		
84	Hydraulic System Installation (PA-28R-180/200, without SB 866 installed)	9-3
84A	Hydraulic System Installation (PA-28R-180/200, with SB 866 installed)	9-9

TABLE OF CONTENTS

FIGURE NUMBER	FIGURE TITLE	GRID NUMBER
SECTION 10		
ELECTRONICS GROUP		
85	Electric Trim Installation	10-3
86	AutoFlite Installation (PA-28-140 - S/N 28-20002 to 28-26956 incl. PA-28-150/160/180 - S/N 28-1231 to 28-5869 incl., PA-28-235 - S/N 28-10003 to 28-11393 incl., PA-28R-180 - S/N 28R-30005 to 28R-30481 incl., 28R-30483 to 28R-31279 incl., PA-28R-200 - S/N 28R-30482, 28R-35001 to 28R-35830 incl.)	10-9
86A	AutoFlite II Installation (PA-28-140 - S/N 28-7125001 and up, PA-28-180 - S/N 28-7105001 and up, PA-28-235 - S/N 28-7110001 and up, PA-28R-180 - S/N 28R-7130001 and up, PA-28R-200 - S/N 28R-7135001 and up)	10-13
87	AutoControl I Installation (PA-28-140/150/160/180/235)	10-17
88	AutoControl II Installation (PA-28-140/150/160/180/235)	10-21
89	AutoControl III Installation (PA-28-150/160/180 - S/N 28-3590 to 28-4377 incl., PA-28-235 - S/N 28-10741 to 28-11039 incl.)	10-25
90	AutoControl III and III B Installation (PA-28-140 - S/N 28-25000 and up, PA-28-180 S/N 28-4378 and up, PA-28-235 - S/N 28-11040 and up, PA-28R-180 - S/N 28R-30005 to 28R-30481 incl., 28R-30483 and up, PA-28R-200 - S/N 28R-30482, 28R-35001 and up)	10-29
91	Piper PRC-4 AutoNav Radio Installation (PA-28-140/150/160/180/235)	10-33
92	Piper PTR-1 Radio Installation (PA-28-140/150/160/180/235)	10-39
93	Radio, Antenna System and Static Wick Installation (PA-28-140 - S/N 28-25000 and up, PA-28-180 - S/N 28-4378 and up, PA-28-235 - S/N 28-11040 and up, PA-28R-180 - S/N 28R-30005 to 28R-30481 incl., 28R-30483 and up, PA-28R-200 - S/N 28R-30482, 28R-35001 and up)	10-43
93A	Piper Automatic Locator (ELT) Installation (Garrett Mfg, LTD)	10-49
93B	Piper Automatic Locator (ELT) Installation (Communications Components Corp)	10-53
93C	Piper Automatic Locator (ELT) Installation (Narco Avionics)	10-57
94	Piper PM-1 Marker Beacon Installation (PA-28-140 - S/N 28-25000 to 28-7425454 incl., PA-28-150/160/180 - S/N 28-1761 to 28-7405290 incl., PA-28-235 - S/N 28-10487 to 28-7410120 incl., PA-28R-180 - S/N 28R-30005 to 28R-30481 incl., 28R-30483 to 28R-7130019 incl., PA-28R-200 S/N 28R-30482, 28R-35001 to 28R-7435331 incl.)	10-61
95	Radio Junction Boxes (PA-28-140 - S/N 28-25000 and up, PA-28-180 - S/N 28-4378 and up, PA-28-235 - S/N 28-11040 and up, PA-28R-180 - S/N 28R-30005 to 28R-30481 incl., 28R-30483 and up, PA-28R-200 - S/N 28R-30482, 28R-35001)	10-65
96	Radar Altimeter Installation (PA-28R-200)	10-69
97	Encoder Installation (Narco - AR 500) (PA-28-140 - S/N 28-7725001 and up, PA-28-235 - S/N 28-7710001 and up)	10-73
	Radio Installation Drawings	10-77
SECTION 11		
MISCELLANEOUS GROUP		
	Optional Equipment Kits and Repair Kits	11-3
	Decals	11-17
NUMERICAL INDEX		12-1

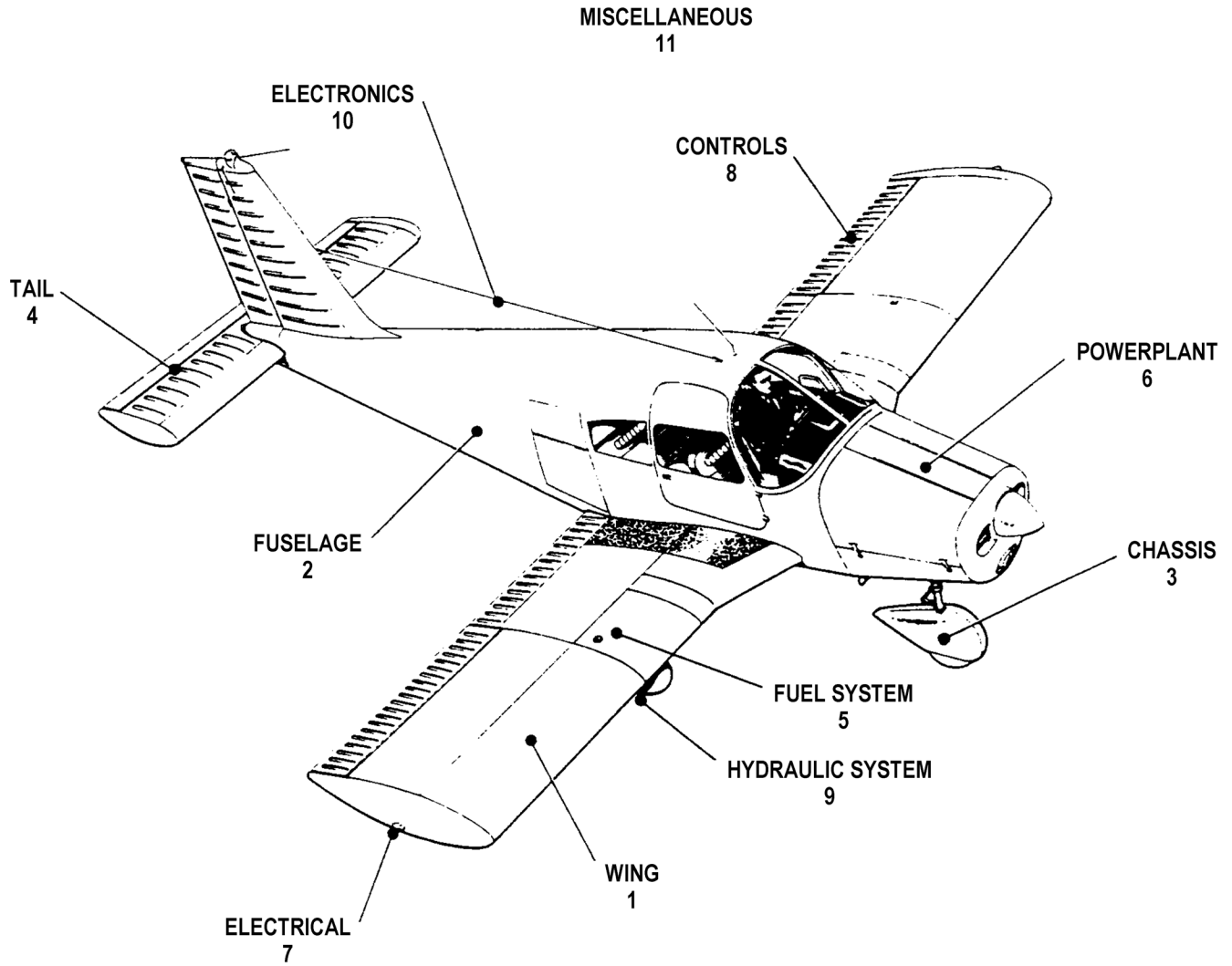


Figure 1. View of Complete Airplane

THIS PAGE INTENTIONALLY LEFT BLANK

SECTION 1 WING GROUP

THIS PAGE INTENTIONALLY LEFT BLANK

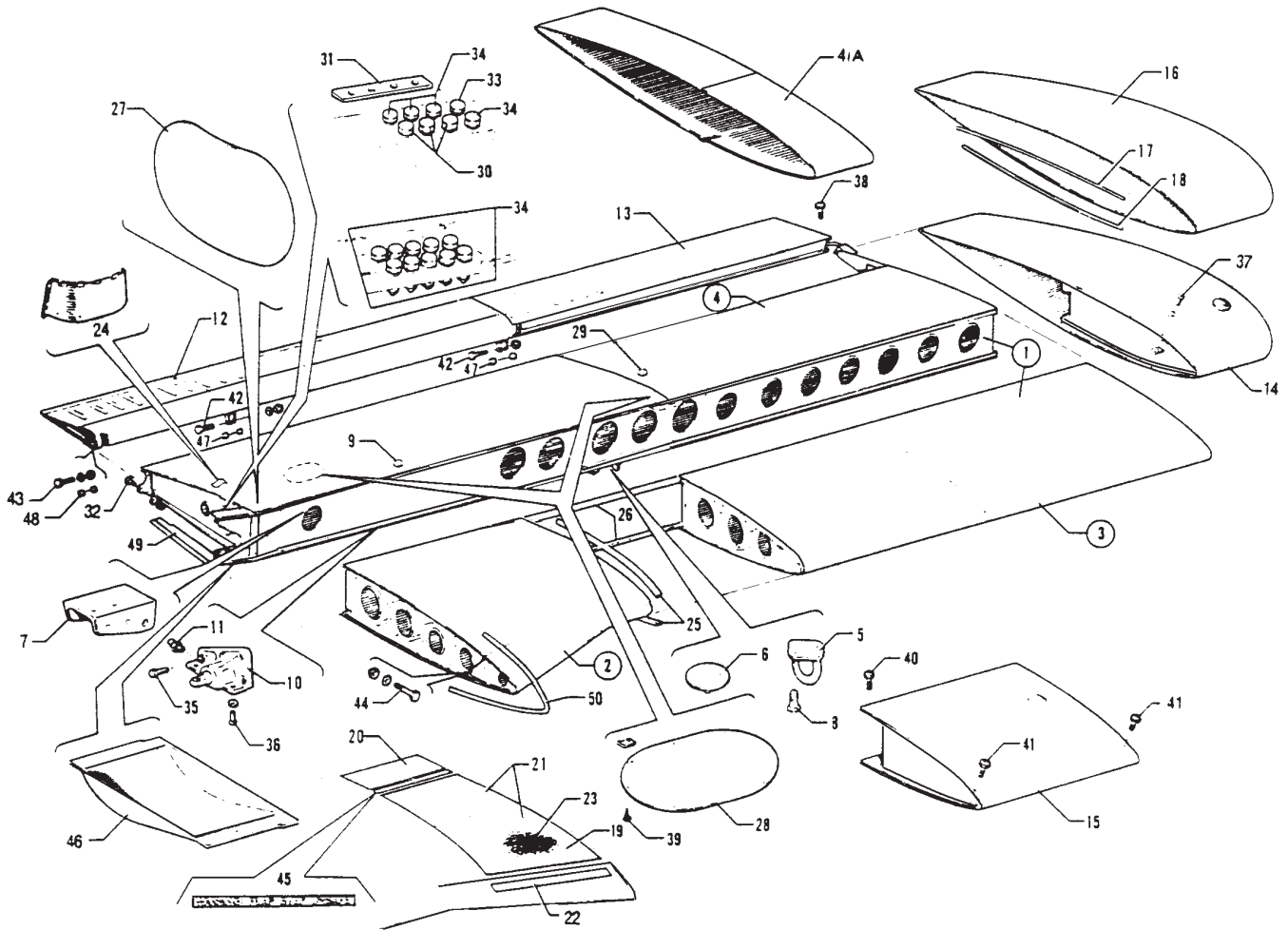


Figure 2. Wing Installation

THIS PAGE INTENTIONALLY LEFT BLANK

PIPER PARTS CATALOG

Figure and Index Number	Part Number	Code	NOMENCLATURE	No. Req.	SERIAL NUMBERS AFFECTED
2-	62013 66600 67015	A,C B	DRAWING - Wing Installation DRAWING - Wing Assembly (Complete) DRAWING - Wing Assembly (Complete)		
-1	66601-004 66601-006 66601-002 67016-002 67016-006 66601-005 66601-007 66601-003 67016-003 67016-007	J H C E,K E,L J H C E,K E,L	WING ASSEMBLY - Left WING ASSEMBLY - Left WING ASSEMBLY - Left WING ASSEMBLY - Left WING ASSEMBLY - Left WING ASSEMBLY - Right WING ASSEMBLY - Right WING ASSEMBLY - Right WING ASSEMBLY - Right WING ASSEMBLY - Right	1 1 1 1 1 1 1 1 1 1	
-2	66595-000 66595-001	D D	* LEADING EDGE ASSEMBLY - Wing inboard, left * LEADING EDGE ASSEMBLY - Wing inboard, right	1 1	
-3	66770-004 66770-000 66770-002 66770-001	A,D C,D B D D	* LEADING EDGE ASSEMBLY - Wing outboard, left * LEADING EDGE ASSEMBLY - Wing outboard, left * LEADING EDGE ASSEMBLY - Wing outboard, left * LEADING EDGE ASSEMBLY - Wing outboard, right	1 1 1 1	
-4	66602-002 66602-000 67045-000 66602-003 66602-001 67045-001	A,F C,F B,G A,F C,F B,G	* TRAILING EDGE ASSEMBLY - Wing aft section, left * TRAILING EDGE ASSEMBLY - Wing aft section, left * TRAILING EDGE ASSEMBLY - Wing aft section, left * TRAILING EDGE ASSEMBLY - Wing aft section, right * TRAILING EDGE ASSEMBLY - Wing aft section, right * TRAILING EDGE ASSEMBLY - Wing aft section, right	1 1 1 1 1 1	
-4a	76295-000 76295-001	D,H L D,H L	* EXTENSION ASSEMBLY - Wing, left * EXTENSION ASSEMBLY - Wing, right	1 1	
-5	18457-000		* RING - Tie down	1	
-6	35725-002		* PAD - Jack	1	
-7	67071-000 67071-001	B B	* BRACKET - Main gear cylinder, left * BRACKET - Main gear cylinder, right	1 1	
-8	410-043		* SCREW - (MS24694-S56)	2	
-9	63595-000	A,B	BUTTON ASSEMBLY - Plug gear service with retaining ring)	2	
			A - Used on PA-28-140, PA-28-150, PA-28-160 and PA-28-180 airplanes only. B - Used on PA-28R-180 and PA-28R-200 airplanes only. C - Used on PA-28-235 airplanes only. D - See Figure 3 for component parts. E - Includes electrical wires and hydraulic lines. Left wing also includes pitot head. F - See Figure 4 for component parts. G - See Figure 5 for component parts. H - Used on PA-28-180 with serial number 28-7305001 and up. J - Used on PA-28-180 with serial numbers 28-671 to 28-7205328 inclusive and PA-28-140, PA-28-150 and PA-28-160 airplanes only. K - Used on PA-28R-180 with serial numbers 28R-30005 to 28R-7130019 inclusive and PA-28R-200 with serial numbers 28R-30482, and 28R-35001 to 28R-7135238 inclusive. L - Used on PA-28R-200 with serial numbers 28R-7235001 and up. J - Reference Piper Service Bulletin 977, latest revision.		

When ordering, always specify Part Number, Description, and Serial Number of Aircraft

PIPER PARTS CATALOG

Figure and Index Number	Part Number	Code	NOMENCLATURE	No. Req.	SERIAL NUMBERS AFFECTED
2 -10	95643-006		BRACKET ASSEMBLY - Main gear truss left	1	
	95643-007	B	BRACKET ASSEMBLY - Main gear truss, right	1	
-11	460-823		* FITTING - Lubricator straight (AS15001-1P)	1	
	460-801		* FITTING - Lubricator 90 degrees (MS15001-4)	1	
-12	62320-000	D,K	FLAP ASSEMBLY - Left	1	
	65591-000	D,L	FLAP ASSEMBLY - Left	1	
	62320-002	D,K	FLAP ASSEMBLY - Right	1	
	65590-001	D,L	FLAP ASSEMBLY - Right	1	
-13	62360-000	E,J	AILERON ASSEMBLY - Left	1	28-1 to 28-1450 inclusive
	62360-001	E, J	AILERON ASSEMBLY - Right	1	28-1 to 28-1450 inclusive
	65355-000	E, H	AILERON ASSEMBLY - Left	1	
	65355-001	E, H	AILERON ASSEMBLY - Right	1	
	68129-000	C,E	AILERON ASSEMBLY - Left	1	28-10720 to 28-11211 inclusive
	68129-001	C,E	AILERON ASSEMBLY - Right	1	28-10720 to 28-11211 inclusive
	66767-000	C,E	AILERON ASSEMBLY - Left	1	28-11212 and up
	66767-001	C,E	AILERON ASSEMBLY - Right	1	28-11212 and up
	68129-002	A,E	AILERON ASSEMBLY - Left	1	
	68129-003	A,E	AILERON ASSEMBLY - Right	1	
	66767-002	E,G	AILERON ASSEMBLY - Left	1	
	66767-003	E,G	AILERON ASSEMBLY - Right	1	
	-14	65815-004	C,F	TANK ASSEMBLY - Fuel, wing tip, left	1
65815-005		C,F	TANK ASSEMBLY - Fuel, wing tip , right	1	
			<p>A - Used on PA-28-140 with serial numbers 28-21596 to 28-25382 inclusive, PA-28-150, PA-28-160 and PA-28-180 with serial numbers 28-3178 to 28-5287 inclusive and PA-28R-180 with serial numbers 28R-30005 to 28R-30481 inclusive, and 28R-30483 to 28R-31086 inclusive.</p> <p>B - Used on PA-28R-180 and PA-28R-200 airplanes only.</p> <p>C - Used on PA-28-235 airplanes only.</p> <p>D - See Figure 7 for component parts.</p> <p>E - See Figure 6 for component parts.</p> <p>F - See Figure 55 for component parts.</p> <p>G - Used on PA-28-140 with serial numbers 28-25383 and up, PA-28-180 with serial numbers 28-5288 and up, PA-28R-180 with serial numbers 28R-31087 and up, and PA-28R-200 with serial numbers 28R-30482, 28R-35001 and up.</p> <p>H - Used on PA-28-140 with serial numbers 28-20002 to 28-21595 inclusive- PA-28-150, PA-28-160 and PA-28-180 with serial numbers 28-1451 to 28-3177 inclusive and PA-28-235 with serial numbers 28-10003 to 28-10719 inclusive.</p> <p>J - Used on PA-28-150, PA-28-180 and PA-28-180 only.</p> <p>K - Used on PA-28-235 with serial numbers 28-10003 to 28-10719 inclusive, PA-28-140 with serial numbers 28-20002 to 28-21595 inclusive, PA-28-150, and PA-28-180 with serial numbers 28-1 to 28-3177 inclusive.</p> <p>L - Used on PA-28-235 with serial numbers 28-10720 and up, PA-28-140 with serial numbers 28-21596 and up, PA-28-150, PA 28-160 and PA-28-180 with serial numbers 28-3178 and up, PA-28R-180 and PA-28R-200 airplanes.</p>		

When ordering, always specify Part Number, Description, and Serial Number of Aircraft

PIPER PARTS CATALOG

Figure and Index Number	Part Number	Code	NOMENCLATURE	No. Req.	SERIAL NUMBERS AFFECTED
2	-15	63998-016	D TANK ASSEMBLY - Fuel, wing, left	1	
		63998-017	D TANK ASSEMBLY - Fuel, wing, right	1	
	-16	62090-000	E TIP ASSEMBLY - Wing, left	1	
		78022-000	B TIP ASSEMBLY - Wing, left	1	
		62090-001	E TIP ASSEMBLY - Wing, right	1	
		78022-001	B TIP ASSEMBLY - Wing, right	1	
	-17	62090-020	E STIFFENER - Wing tip, upper, left	1	
		78022-014	B STIFFENER - Wing tip, upper, left	1	
		62090-021	E STIFFENER - Wing tip, upper, right	1	
		78022-015	B STIFFENER - Wing tip, upper, right	1	
	-18	62090-022	E STIFFENER - Wing tip, lower, left	1	
		78022-020	B STIFFENER - Wing tip, lower, left	1	
		62090-023	E STIFFENER - Wing tip, lower, right	1	
		78022-023	B STIFFENER - Wing tip, lower, right	1	
	-19	763-848	C KIT - Pressure Sensitive Wing Walk Installation	1	
	-20	79174-004	* WING WALK - Safety, flap	1	
	-21	79174-000	* WING WALK - Safety, wing, front and rear	1	
	-22	69736-002	* RETAINER - Wing walk	1	
	-23	179-872	SAFETY WALK COMPOUND - Black (One quart can)	1	
	-24	67164-000	A COVER - Cylinder access, left	1	
		67164-001	A COVER - Cylinder access, right	1	
	-25	406-940	CHANNEL - Gang, length 24.50	8	
		406-941	CHANNEL - Gang, length 7.00	8	
		406-942	CHANNEL - Gang, length 17.00	8	
	-26	406-927	CHANNEL - Gang, length 27.64	4	
	-27	67101-000	A COVER - Inspection	2	
	-28	62109-000	COVER - Inspection	6	
	-29	453-802	BUTTON - Plug (30-8PB)	2	
	-30	691-317	BOLT - (NAS6606-11)	6	
		96352-003	WASHER	6	
		690-629	WASHER - (NAS1149F0663P)	12	
	404-532	NUT - (MS21042-6)	6		
-31	62121-000	SHIM - Wing attachment	2		

A - Used on PA-28R-180 and PA-28R-200 only.
 B - Used on PA-28-180 with serial numbers 28-7305001 and up, and PA-28R-200 with serial numbers 28R-7335001 and up.
 C - Complete Kit required if replacing safety walk compound painted on wing.
 D - See Figure 51, 52, 53, 54 or 55 for component parts.
 E - Used on PA-28-180 with serial numbers 28-671 to 28-7205328 inclusive, PA-28R-200 with serial numbers 28R-30482, 28R-35001 to 28R-7235330 inclusive, PA-28-140, PA-28-150, PA-28-160 and PA-28R-180 airplanes only.

When ordering, always specify Part Number, Description, and Serial Number of Aircraft

PIPER PARTS CATALOG

Figure and Index Number	Part Number	Code	NOMENCLATURE	No. Req.	SERIAL NUMBERS AFFECTED
2	-32		BOLT - (AN5-7A)	2	
			WASHER - (NAS1149F0563P)	2	
			NUT - (MS20145-5)	2	
	-33		BOLT - (NAS6606-15)	2	
			WASHER	2	
			WASHER - (NAS1149F0663P)	4	
			NUT - (MS21042-6)	2	
	-34		BOLT - (NAS6606-13)	28	
			WASHER	28	
			WASHER - (NAS1149F0663P)	56	
			NUT - (MS21042-6)	28	
	-35	A	BOLT - (AN4-7A)	3	
		A	WASHER - (NAS1149F0463P)	3	
	-36		SCREW - (MS24694-S103)	2	
			WASHER - (NAS1149F0432P)	2	
			NUT - (MS21042-4)	2	
	-37		SCREW - (MS24693-C51)	52	
			WASHER - (A3135-017-24A)	52	
			NUT - "U" type, floating	52	
	-38		SCREW - (MS27039-1-10)	16	
			WASHER - (NAS1149F0363P)	16	
			NUT - (MS21042-3)	16	
	-39		SCREW - (8 x 1/2 L) Type "B"	32	
			NUT - (A1789-8-3)	32	
	-40		SCREW - (MS27039-0812)	60	
	-41		SCREW - (MS27039-0809)	78	
	-42		BOLT - (AN3-11A)	4	
			WASHER - (NAS1149F0363P)	4	
			NUT - (MS21042-3)	4	
	-43		BOLT - (AN3-13A)	2	
			WASHER - (NAS1149F0363P)	2	
			NUT - (MS21042-3)	2	
	-44		BOLT - (AN4-14A)	2	
			WASHER - (NAS1149F0432P) (under head)	2	
			WASHER - (NAS1149F0463P) (under nut)	2	
			NUT - (MS21042-4)	2	
	-45		PLACARD - Flap warning	1	
	-46		COVER - Wing bolt, left	1	
			COVER - Wing bolt, right	1	
	-47		BUSHING - Flap hinge, center and outboard	8	
	-48		BUSHING - Flap hinge, inboard	4	
	-49		PLATE ASSEMBLY - Aft wing access, left	1	
			PLATE ASSEMBLY - Aft wing access, right	1	
	-50		MOULDING - Wing root	2	

A - Used on PA-28R-180 and PA-28R-200 only.

When ordering, always specify Part Number, Description, and Serial Number of Aircraft

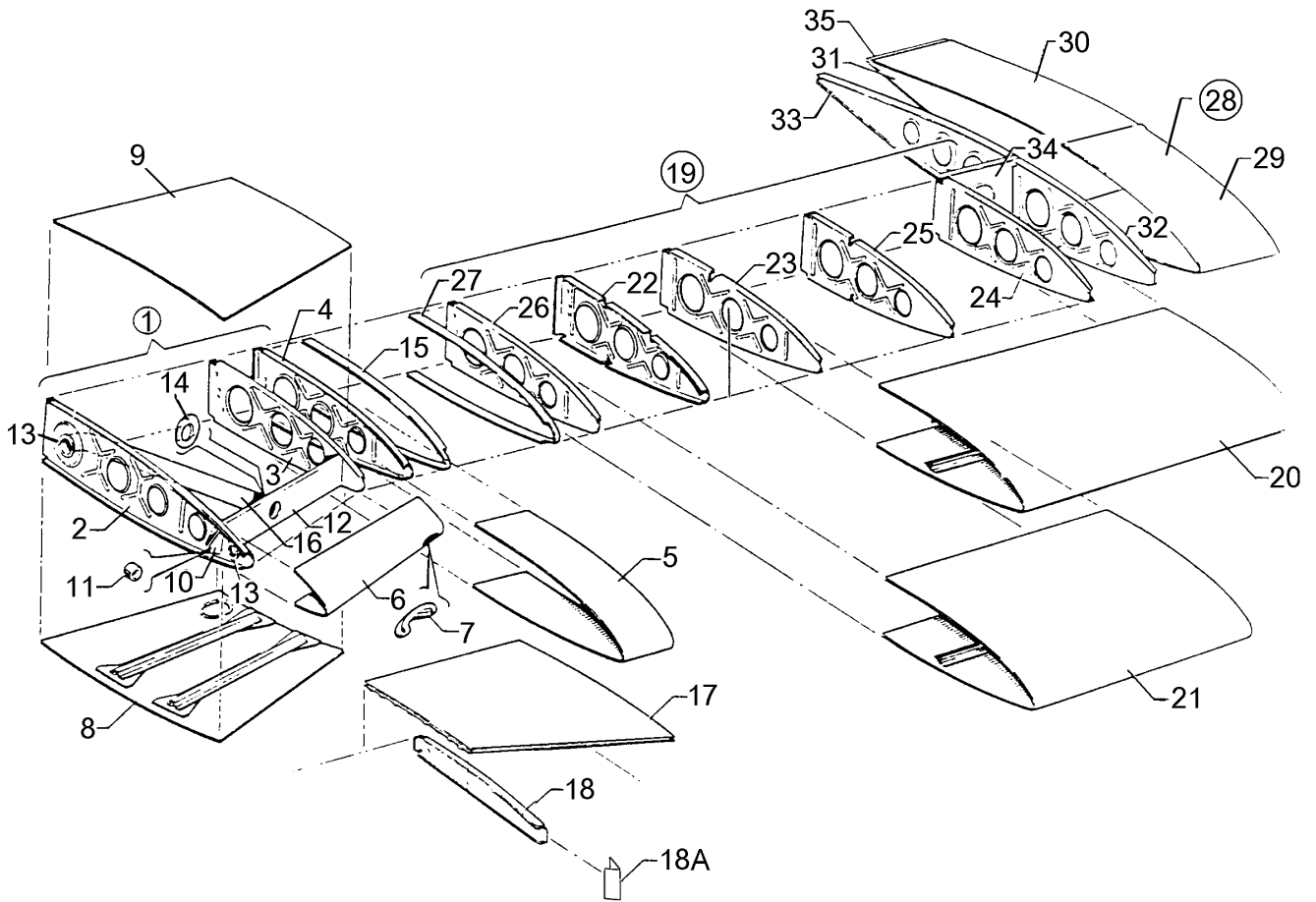


Figure 3. Wing Leading Edge Assembly

THIS PAGE INTENTIONALLY LEFT BLANK

PIPER PARTS CATALOG

Figure and Index Number	Part Number	Code	NOMENCLATURE	No. Req.	SERIAL NUMBERS AFFECTED
3 -1	66595-000		LEADING EDGE ASSEMBLY - Wing inboard, left	1	
	66595-001		LEADING EDGE ASSEMBLY - Wing inboard, right	1	
-2	95639-002		RIB - Wing nose, root, left	1	
	95639-003		RIB - Wing nose, root, right	1	
-3	62021-000	F	RIB - Wing nose, Sta. 49.25, left	1	
	62021-001	F	RIB - Wing nose, Sta. 49.25, right	1	
-4	62022-002		RIB - Wing nose, Sta. 57.00, left	1	
	62022-003		RIB - Wing nose, Sta. 57.00, right	1	
-5	62084-000		SKIN - Inboard wing	1	
-6	68113-200		SKIN ASSEMBLY - Leading edge left	1	
	68113-201		SKIN ASSEMBLY - Leading edge,, right	1	
-7	68111-000		DOUBLER - Air inlet	1	
-8	62086-000		SKIN ASSEMBLY - Bottom, inboard root left	1	
	62086-001		SKIN ASSEMBLY - Bottom, inboard root right	1	
-9	62087-000		SKIN ASSEMBLY - Top inboard root, left	1	
-10	66761-002		FITTING - Forward spar, left	1	
	66761-003		FITTING - Forward spar, right	1	
-11	63900-030	E	BUSHING - Front spar attachment	1	
-12	66623-000		SPAR - Leading edge inboard, left	1	
	66623-001		SPAR - Leading edge inboard, right	1	
-13	68119-000		GASKET - Air duct	2	
-14	66621-000		DOUBLER - Forward spar	1	
-15	62091-000		STRAP - Fuel tank attachment	1	
-16	66620-000		TUBE ASSEMBLY - Air duct	1	
-17	62061-002		WING WALK - Forward, right	1	
-18	62066-000		RIB - Wing walk, right	1	
-18a	62124-000		ANGLE - Wing walk, right	1	
-19	66770-004	A	LEADING EDGE ASSEMBLY - Wing outboard, left	1	
	66770-000	B	LEADING EDGE ASSEMBLY - Wing outboard, left	1	
	66770-002	C	LEADING EDGE ASSEMBLY - Wing outboard, left	1	
-20	66770-001		LEADING EDGE ASSEMBLY - Wing outboard, right	1	
	62082-000	D	SKIN ASSEMBLY - Outboard, length 48.00, left	1	
	66771-000	D	SKIN ASSEMBLY - Outboard, length 47.30, left	1	
	62082-001	D	SKIN ASSEMBLY - Outboard, length 48.00, right	1	
	66771-001	D	SKIN ASSEMBLY - Outboard, length 47.30, right	1	
-21	62083-000	A D	SKIN ASSEMBLY - Middle section, length 35.98, left	1	
	66772-004	A D	SKIN ASSEMBLY - Middle section, length 36.58, left	1	
	62083-006	B,D	SKIN ASSEMBLY - Middle section, length 35.98, left	1	
	66772-000	B,D	SKIN ASSEMBLY - Middle section, length 36.58, left	1	
	62083-008	C,D	SKIN ASSEMBLY - Middle section, length 35.98, left	1	
	66772-002	C,D	SKIN ASSEMBLY - Middle section, length 36.58, left	1	
	62083-001	D	SKIN ASSEMBLY - Middle section, length 35.98, right	1	
	66772-001	D	SKIN ASSEMBLY - Middle section, length 36.58, right	1	

A - Used on PA 28-140, PA-28-150, PA-28-160 and PA-28 180 airplanes only.
 B - Used on PA-28-235 airplanes only.
 C - Used on PA-28R-180 and PA-28R-200 airplanes only.
 D - Ascertain skin length and order accordingly.
 E - Used if the Forward Spar Fitting Assembly incorporates an aluminum attaching plate.
 F - Reference Piper Service Bulletin 1161, latest revision, on Rib Assembly Inspection and Modification on the PA-28R-180 Arrow with serial numbers 28R-30002 thru 28R-31270 inclusive, 28R-7130001 thru 28R-7130013 inclusive, PA-28R-200 Arrow with serial numbers 28R-35001 thru 28R-35820 inclusive, 28R-7135001 through 28R-7135229 inclusive and PA-28R-200 Arrow II with serial numbers 28R-7235001 thru 28R-7635545 inclusive.

When ordering, always specify Part Number, Description, and Serial Number of Aircraft

PIPER PARTS CATALOG

Figure and Index Number	Part Number	Code	NOMENCLATURE	No. Req.	SERIAL NUMBERS AFFECTED
3 -22	62023-000		RIB - Wing nose, left	1	
	62023-001		RIB - Wing nose, right	1	
-23	62024-001		* RIB - Wing nose, left	1	
	62024-000		* RIB - Wing nose, right	1	
-24	62024-000		* RIB - Wing nose, left	1	
	62024-001		* RIB - Wing nose, right	1	
-25	62024-002		* RIB - Wing nose, left	1	
	62024-003		* RIB - Wing nose, right	1	
-26	62049-000		* RIB - Wing nose, left	1	
	62049-001		* RIB - Wing nose, right	1	
-27	62091-000		* STRAP - Fuel tank attachment	1	
-28	76295-000	A	EXTENSION ASSEMBLY - Wing, left	1	
	76295-001	A	EXTENSION ASSEMBLY - Wing, right	1	
-29	96610-006	A	* SKIN - Forward, left	1	
	96610-007	A	* SKIN - Forward, right	1	
-30	76295-002	A	* SKIN - Aft top, left	1	
	76295-003	A	* SKIN - Aft, top, right	1	
-31	76295-004	A	* SKIN - Aft, bottom, left	1	
	76295-005	A	* SKIN - Aft, bottom, right	1	
-32	62024-000	A	* RIB - Nose, Sta. 185.21, left	1	
	62024-001	A	* RIB - Nose, Sta. 185.21, right	1	
-33	62115-002	A	* RIB - Aft, Sta. 185.21, left	1	
	62115-003	A	* RIB - Aft, Sta. 185.21, right	1	
-34	96437-000	A	* STIFFENER - Wing extension	1	
-35	78043-006	A	* STRIP - Beaded	1	
			A - Used on PA-28-180 with serial numbers 28-7305001 and up and PA-28R-200 with serial number 28-7305001 and up.		

When ordering, always specify Part Number, Description, and Serial Number of Aircraft

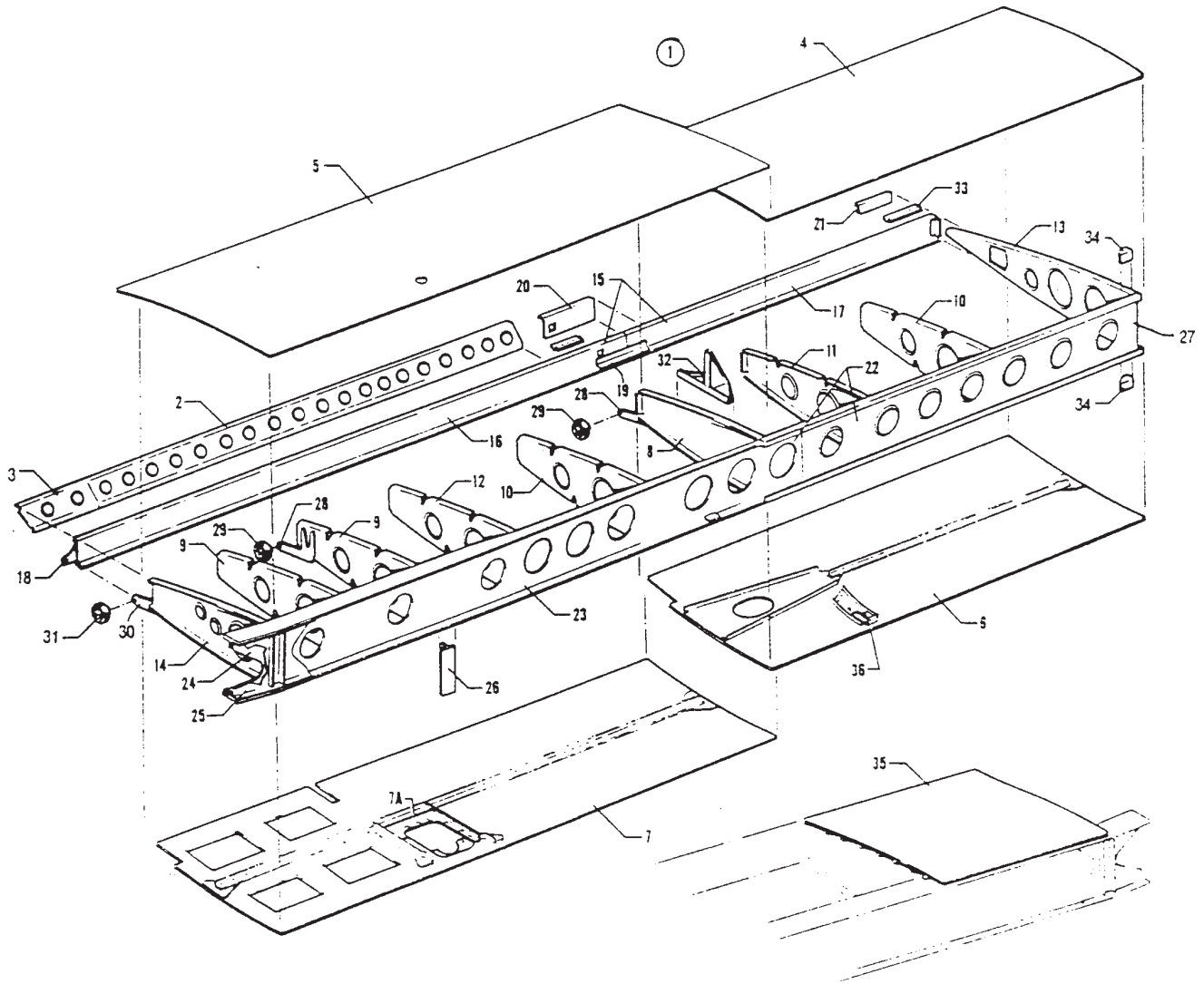


Figure 4. Wing Trailing Edge Assembly

PA-28-140
 PA-28-150
 PA-28-160
 PA-28-180
 PA-28-235

THIS PAGE INTENTIONALLY LEFT BLANK

PIPER PARTS CATALOG

Figure and Index Number	Part Number	Code	NOMENCLATURE	No. Req.	SERIAL NUMBERS AFFECTED
4 -1	66602-000	A	TRAILING EDGE ASSEMBLY - Wing, left	1	
	66602-002	B	TRAILING EDGE ASSEMBLY - Wing, left	1	
	66602-001	A	TRAILING EDGE ASSEMBLY - Wing, right	1	
	66602-003	B	TRAILING EDGE ASSEMBLY - Wing, right	1	
-2	62129-004		* STIFFENER - Outboard, left	1	
	62129-003		* STIFFENER - Outboard, right	1	
-3	62129-008		* STIFFENER - Inboard, left	1	
	62129-007		* STIFFENER - Inboard, right	1	
-4	67060-000		* SKIN ASSEMBLY - Top, outboard, left	1	
	67060-001		* SKIN ASSEMBLY - Top, outboard, right	1	
-5	99038-000		* SKIN ASSEMBLY - Top, inboard, left	1	
	99039-000		* SKIN ASSEMBLY - Top, inboard, right	1	
-6	67061-000		* SKIN ASSEMBLY - Bottom, outboard, left	1	
	67061-001		* SKIN ASSEMBLY - Bottom, outboard, right	1	
-7	99040-000	A	* SKIN ASSEMBLY - Bottom, inboard, left	1	
	99040-002	B	* SKIN ASSEMBLY - Bottom, inboard, left	1	
	99040-001	A	* SKIN ASSEMBLY - Bottom, inboard, right	1	
	99040-003	B	* SKIN ASSEMBLY - Bottom, inboard, right	1	
-7a	65690-000		** DOUBLER - Fairing plate, left	1	
	65690-001		** DOUBLER - Fairing plate, right	1	
-8	62047-006		* RIB ASSEMBLY - Sta. 106.19, left	1	
	62047-007		* RIB ASSEMBLY - Sta. 106.19, right	1	
-9	66597-000	D	* RIB - Sta. 36.22 and Sta. 49.25, left	2	
	66597-001	D	* RIB - Sta. 36.22 and Sta. 49.25, right	2	
-10	66598-000		* RIB - Sta. 86.03 and Sta. 147.00, left	2	
	66598-001		* RIB - Sta. 86.03 and Sta. 147.00, right	2	
-11	66598-001		* RIB - Sta. 125.45, left	1	
	66598-000		* RIB - Sta. 125.45, right	1	
-12	66599-000		* RIB - Sta. 64.59, left	1	
	66599-001		* RIB - Sta. 64.59, right	1	
-13	65020-006		* RIB - Wing aft, tip, left	1	
	65020-007		* RIB - Wing aft, tip, right	1	
-14	95636-000		* RIB - Wing aft, butt, left	1	
	95636-001		* RIB - Wing aft, butt, right	1	
-15	62053-000		* SPAR ASSEMBLY - Wing, aft, left	1	
	62053-001		* SPAR ASSEMBLY - Wing, aft, right	1	
-16	62054-000		** SPAR - Aft, inboard, left	1	
	62054-001		** SPAR - Aft, inboard, right	1	
- 17	62055-000		** SPAR - Aft, outboard	1	
-18	66762-000		* * PLATE - Aft spar	1	
-19	62057-000		** DOUBLER - Aft spar, forward	1	
-20	62058-000		** DOUBLER - Aft spar, rear, left	1	
	62058-001		** DOUBLER - Aft spar, rear, right	1	
-21	62105-000		** DOUBLER - Aft spar, outboard	1	
-22	62070-008	A	* SPAR ASSEMBLY - Wing, main, left	1	
	62070-000	B	* SPAR ASSEMBLY - Wing, main, left	1	
	62070 009	A	* SPAR ASSEMBLY - Wing, main, right	1	
	62070-001	B	* SPAR ASSEMBLY - Wing, main, right	1	

A - Used on PA-28-235 airplanes only.
B - Used on PA-28-140, PA-28-150, PA-28-160 and PA-28-180 airplanes only.

When ordering, always specify Part Number, Description, and Serial Number of Aircraft

PA-28-140
PA-28-150
PA-28-160
PA-28-180
PA-28-235

PIPER PARTS CATALOG

Figure and Index Number	Part Number	Code	NOMENCLATURE	No. Req.	SERIAL NUMBERS AFFECTED
4 -23	62070-006	C	** SPAR ASSEMBLY - Main, inboard, left	1	
	62070-007	C	** SPAR ASSEMBLY - Main, inboard, right	1	
-24	62072-000		*** DOUBLER ASSEMBLY - Aft, left	1	
	62072-001		*** DOUBLER ASSEMBLY - Aft, right	1	
-25	62071-000	B	*** DOUBLER ASSEMBLY - Forward, left	1	
	62071-004	A	*** DOUBLER ASSEMBLY - Forward, left	1	
	62071-001	B	*** DOUBLER ASSEMBLY - Forward, right	1	
	62071-005	A	*** DOUBLER ASSEMBLY - Forward, right	1	
	62079-000		*** TEE - Landing gear attachment	1	
-26	62074-000	B	** SPAR - Main, outboard, left	1	
	66582-000	A	** SPAR - Main, outboard, left	1	
	62074-001	B	** SPAR - Main, outboard, right	1	
	66582-001	A	** SPAR - Main, outboard, right	1	
	65898-004		* SUPPORT ASSEMBLY - Flap outboard and center	2	
-29	452-387		** BEARING - (KP3A)	1	
-30	65898-000		* SUPPORT ASSEMBLY - Flap inboard, left	1	
	65898-001		* SUPPORT ASSEMBLY - Flap inboard, right	1	
-31	452-387		** BEARING - (KP3A)	1	
-32	62102-000		* SUPPORT ASSEMBLY - Aileron bellcrank, left	1	
	62102-001		* SUPPORT ASSEMBLY - Aileron bellcrank, right	1	
-33	62371-008		* HINGE ASSEMBLY - Aileron	2	
-34	65056-000	A	* FITTING ASSEMBLY - Sta. 174.05	2	
-35	62061-004		* WING WALK - Aft, right	1	
-36	63465-000		* DOUBLER ASSEMBLY - Pitot head, left	1	

A - Used on PA-28-235 airplanes only.
 B - Used on PA-28-140, PA-28-150, PA-28-160 and PA-28-180 airplanes only.
 C - Reference Piper Service Bulletin 1006, latest revision.
 D - Reference Piper Service Bulletin 1122, latest revision.

PA-28-140
 PA-28-150
 PA-28-160
 PA-28-180
 PA-28-235

When ordering, always specify Part Number, Description, and Serial Number of Aircraft

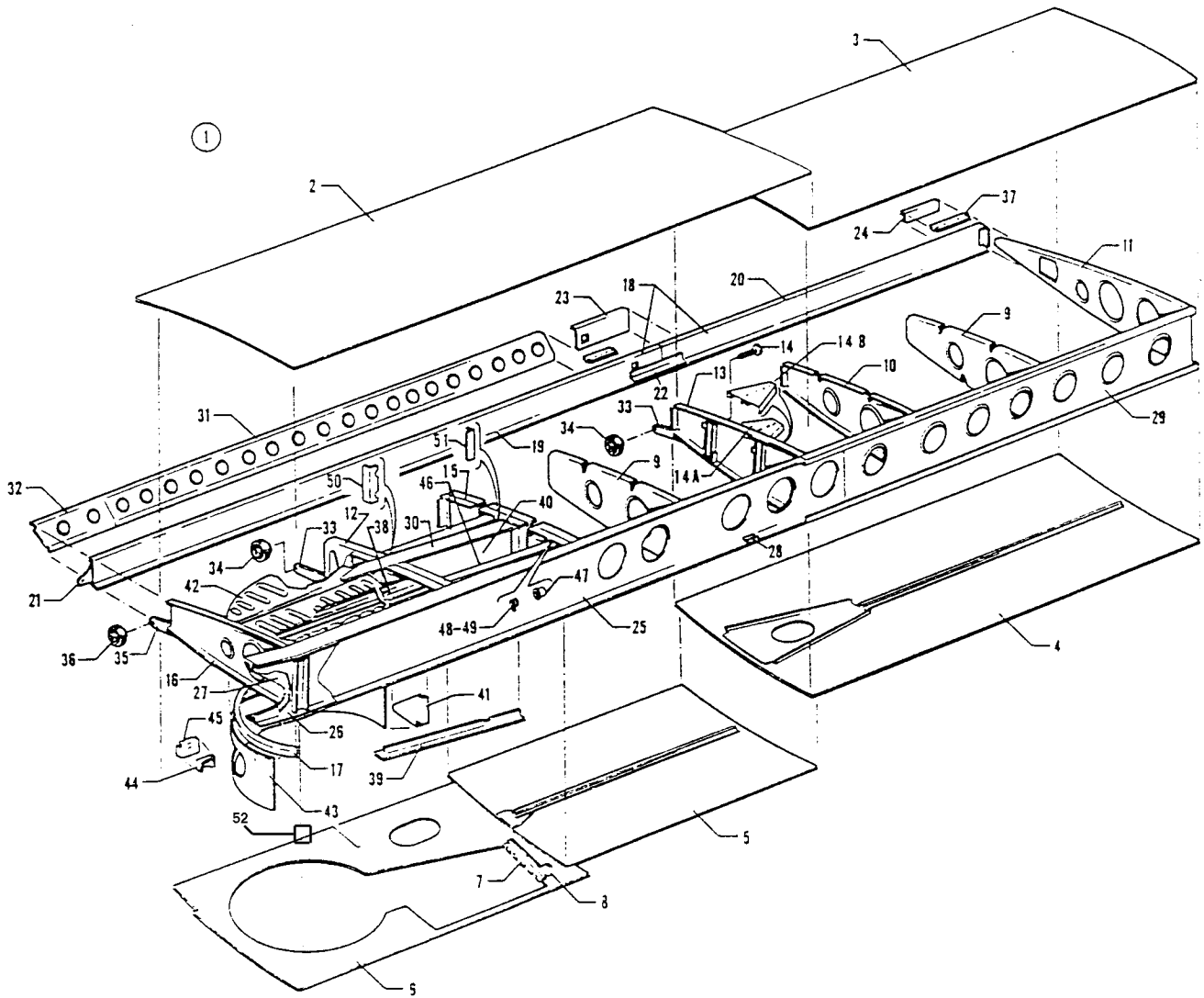


Figure 5. Wing Trailing Edge Assembly

THIS PAGE INTENTIONALLY LEFT BLANK

PIPER PARTS CATALOG

Figure and Index Number	Part Number	Code	NOMENCLATURE	No. Req.	SERIAL NUMBERS AFFECTED
5 -1	67045-000		TRAILING EDGE ASSEMBLY - Wing, left	1	
	67045-001		TRAILING EDGE ASSEMBLY - Wing, right	1	
-2	67672-000		* SKIN ASSEMBLY - Top, inboard, left	1	
	67672-001		* SKIN ASSEMBLY - Top, inboard, right	1	
-3	67060-000		* SKIN ASSEMBLY - Top, outboard, left	1	
	67060-001		* SKIN ASSEMBLY - Top, outboard, right	1	
-4	67061-000		* SKIN ASSEMBLY - Bottom, outboard, left	1	
	67061-001		* SKIN ASSEMBLY - Bottom, outboard, right	1	
-5	67062-000		* SKIN ASSEMBLY - Bottom, center, left	1	
	67062-001		* SKIN ASSEMBLY - Bottom, center, right	1	
-6	67690-004		* SKIN ASSEMBLY - Bottom, inboard, left	1	
	67690-005		* SKIN ASSEMBLY - Bottom, inboard, right	1	
-7	67095-000		** HINGE - Main gear door, left	1	
	67095-001		** HINGE - Main gear door, right	1	
-8	67096-000		** BRACKET - Main gear up switch, left	1	
	67096-001		** BRACKET - Main gear up switch, right	1	
-9	66598-000		* RIB - Sta. 86.03 and Sta. 147.00, left	2	
	66598-001		* RIB - Sta. 86.03 and Sta. 147.00, right	2	
-10	66598-001		* RIB - Sta. 125.45, left	1	
	66598-000		* RIB - Sta. 125.45, right	1	
-11	65020-006		* RIB - Sta. 172.05, left	1	
	65020-007		* RIB - Sta. 172.05, right	1	
-12	78475-004		* RIB ASSEMBLY - Sta. 49.25, left	1	
	78475-005		* RIB ASSEMBLY - Sta. 49.25, right	1	
-13	67055-000		* RIB ASSEMBLY - Sta. 106.19, left	1	
	67055-001		* RIB ASSEMBLY - Sta. 106.19, right	1	
-14	66614-000		** STOP ASSEMBLY - Aileron bellcrank	2	
-14a	67058-000		** SUPPORT - Aileron bellcrank, upper, left	1	
	67058-001		** SUPPORT - Aileron bellcrank, upper, right	1	
-14b	67550-001		* SUPPORT ASSEMBLY - Aileron bellcrank, lower, left	1	
	67550-000		* SUPPORT ASSEMBLY - Aileron bellcrank, lower, right	1	
-15	78500-008		* RIB ASSEMBLY - Sta. 69.24, left	1	
	78500-009		* RIB ASSEMBLY - Sta. 69.24, right	1	
-16	95636-000		* RIB - Sta. 24.24, left	1	
	95636-001		* RIB - Sta. 24.24, right	1	
-17	67687-000		* ANGLE - Wheel well, left	1	
	67687-001		* ANGLE - Wheel well, right	1	
-18	62053-000		* SPAR ASSEMBLY - Wing, aft, left	1	
	62053-001		* SPAR ASSEMBLY - Wing, aft, right	1	
-19	62054-000		** SPAR - Aft, inboard, left	1	
	62054-001		** SPAR - Aft, inboard, right	1	
-20	62055-000		** SPAR - Aft, outboard	1	
-21	66762-000		** PLATE - Aft spar	1	
-22	62057-000		** DOUBLER - Aft spar, forward	1	
-23	62058-000		** DOUBLER - Aft spar, rear, left	1	
	62058-001		** DOUBLER - Aft spar, rear, right	1	
-24	62105-000		** DOUBLER - Aft spar, outboard	1	
-25	67070-002		* SPAR ASSEMBLY - Wing, main, inboard, left	1	
	67070-003		* SPAR ASSEMBLY - Wing, main, inboard, right	1	
-26	62071-000		** DOUBLER ASSEMBLY - Forward, left	1	
	62071-001		** DOUBLER ASSEMBLY - Forward, right	1	
-27	62072-000		** DOUBLER ASSEMBLY - Aft, left	1	
	62072-001		** DOUBLER ASSEMBLY - Aft, right	1	
-28	66529-000		** CHANNEL - Gang	1	

When ordering, always specify Part Number, Description, and Serial Number of Aircraft

PIPER PARTS CATALOG

Figure and Index Number	Part Number	Code	NOMENCLATURE	No. Req.	SERIAL NUMBERS AFFECTED
5 -29	62074-000		* * SPAR - Main, outboard, left	1	
	62074-001		* * SPAR - Main, outboard, right	1	
-30	67097-000		* * CAP - False spar, top, left	1	
	67097-001		* * CAP - False spar, top, right	1	
-31	62129-004		* STIFFENER - Left outboard	1	
	62129-003		* STIFFENER - Right outboard	1	
-32	62129-008		* STIFFENER - Left outboard	1	
	62129-007		* STIFFENER - Right outboard	1	
-33	65898-004		* SUPPORT ASSEMBLY - Flap outboard and center	2	
-34	452 387		* BEARING - (KP3A)	1	
-35	65898-000		* SUPPORT ASSEMBLY - Flap inboard, left	1	
	65898-001		* SUPPORT ASSEMBLY - Flap inboard, right	1	
-36	452 387		* BEARING - (KP3A)	1	
-37	62371-008		* HINGE ASSEMBLY - Aileron	2	
-38	67670-000		* COVER - Control cable, left	1	
	67670-001		* COVER - Control cable, right	1	
-39	67689-000		* * CAP - False spar, bottom, left	1	
	67689-001		* * CAP - False spar, bottom, right	1	
-40	67079-000		* WEB - False spar, left	1	
	67079-001		* WEB - False spar, right	1	
-41	67691-000		* BRACKET - Wheel well, left	1	
	67691-001		* BRACKET - Wheel well, right	1	
-42	67673-000		* PAN - Wheel well	2	
-43	67694-000		* WEB - Wheel well	1	
-44	67677-000		* BRACKET - Pulley, aft wing, left	1	
	67677-001		* BRACKET - Pulley, aft wing, right	1	
-45	67678-000		* BRACKET ASSEMBLY - Pulley, aft wing, left	1	
	67678-001		* BRACKET ASSEMBLY - Pulley aft wing, right	1	
-46	63904-024		* HOSE - Aileron cable protection	2	
-47	463 422		* GROMMET - (SB-1093-15)	1	
-48	454 862		* CLAMP	2	
-49	519 851		* SCREW - (M524622-30)	2	
	603 333		* NUT - (Tinnerman A1789-8Z1)	2	
-50	67065-000		* ANGLE - False spar	1	
-51	67166-000		* ANGLE - Aft rib	1	
-52	63078-017	A	* PAD - Bumper, rubber	2	

A - On PA-28R airplanes, two each are required per gear.

When ordering, always specify Part Number, Description, and Serial Number of Aircraft

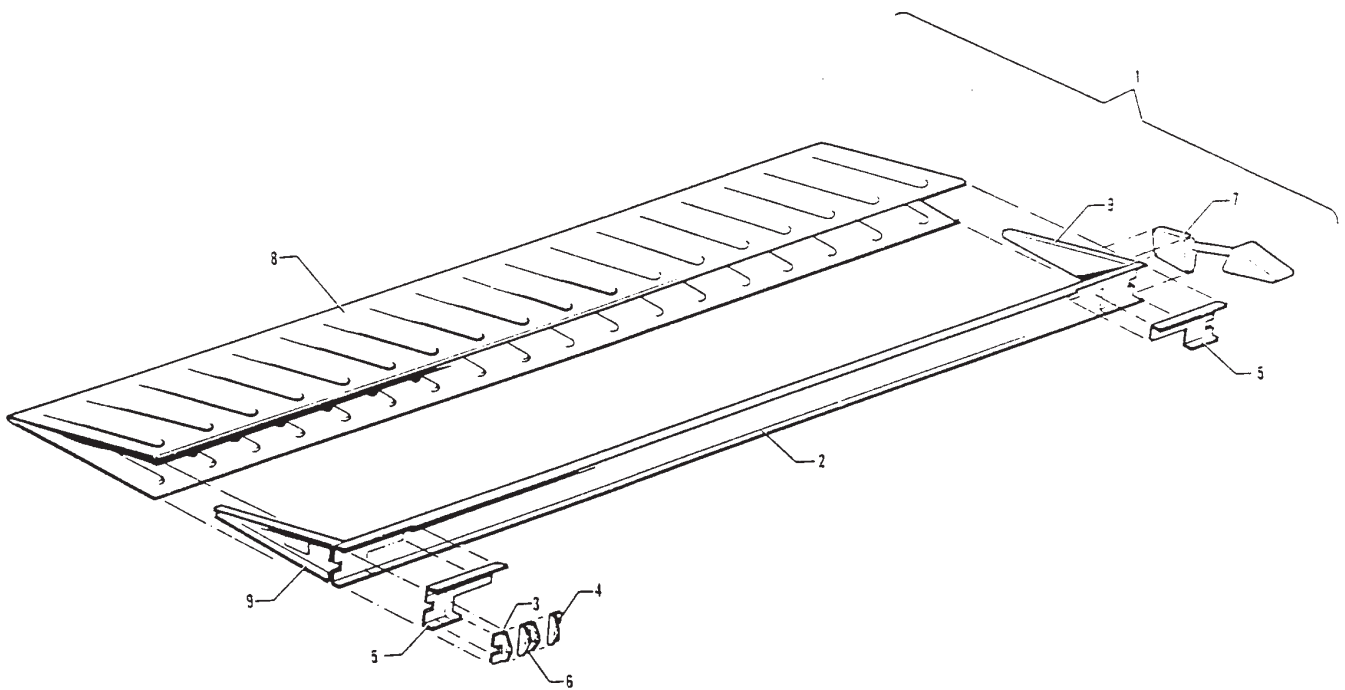


Figure 6. Aileron Assembly

PA-28-140
PA-28-150
PA-28-160
PA-28-180
PA-28-235
PA-28R-180
PA-28R-200

THIS PAGE INTENTIONALLY LEFT BLANK

PIPER PARTS CATALOG

Figure and Index Number	Part Number	Code	NOMENCLATURE	No. Req.	SERIAL NUMBERS AFFECTED
6 -1	62360-000		AILERON ASSEMBLY - Left	1	28-1 to 28-1450 inclusive
	62360-001	A	AILERON ASSEMBLY - Right	1	28-1 to 28-1450 inclusive
	65355-000	C	AILERON ASSEMBLY - Left	1	
	65355-001	C	AILERON ASSEMBLY - Right	1	
	68129-000	B	AILERON ASSEMBLY - Left	1	28-10720 to 28-11211 inclusive
	68129-001	B	AILERON ASSEMBLY - Right	1	28-10720 to 28-11211 inclusive
	66767-000	B	AILERON ASSEMBLY - Left	1	28-11212 and up
	66767-001	B	AILERON ASSEMBLY - Right	1	28-11212 and up
	68129-002	D	AILERON ASSEMBLY - Left	1	
	68129-003	D	AILERON ASSEMBLY - Right	1	
	66767-002	E	AILERON ASSEMBLY - Left	1	
	66767-003	E	AILERON ASSEMBLY - Right	1	
-2	62361-000		* SPAR ASSEMBLY - Aileron, Left	1	
	62361-001		* SPAR ASSEMBLY - Aileron, right	1	
-3	62372-001		** ANGLE - Aileron push rod	1	
-4	62372-000		** ANGLE - Aileron push rod	1	
-5	62373-000		** DOUBLER - Aileron hinge, inboard left, outboard right	1	
	62373-001		** DOUBLER - Aileron hinge, inboard right, outboard left	1	
-6	62367-000		* CHANNEL - Aileron push rod	1	
-7	65388-034	A	* BALANCE WEIGHT ASSEMBLY - Left	1	28-1 to 28-1450 inclusive
	65388-035	A	* BALANCE WEIGHT ASSEMBLY - Right	1	28-1 to 28-1450 inclusive
	66766-000		* BALANCE WEIGHT ASSEMBLY - Left	1	28-1451 and up
-8	66766-001		* BALANCE WEIGHT ASSEMBLY - Right	1	28-1451 and up
	62365-000	A	* SKIN - Aileron, left	1	28-1 to 28-1450 inclusive
	62365-001	A	* SKIN - Aileron, right	1	28-1 to 28-1450 inclusive
	65299-000	C	* SKIN - Aileron, left	1	
	65299-001	C	* SKIN - Aileron, right	1	
	68106-000	B	* SKIN - Aileron, left	1	28-10720 and up
	68106-001	B	* SKIN - Aileron, right	1	28-10720 and up
	68106-002	F	* SKIN - Aileron, left	1	
	68106-003	F	* SKIN - Aileron, right	1	
-9	62366-000		* RIB - Aileron, left inboard, right outboard	1	28-1 to 28-1450 inclusive
	62366-001		* RIB - Aileron, right inboard, left outboard	1	28-1 to 28-1450 inclusive
	65265-000		* RIB - Aileron, left inboard, right outboard	1	28-1451 and up
	65265-001		* RIB - Aileron, right inboard, left outboard	1	28-1451 and up

A - Used on PA-28-150, PA-28-160 and PA-28-180 only.
 B - Used on PA-28-235 airplanes only.
 C - Used on PA 28-140 with serial numbers 28-20002 to 28-21595 inclusive, PA-28-150, PA-28-160 and on the PA-28-180 with serial number 28-1451 to 28-3177 inclusive, and PA-28-235 with serial numbers 28-10003 to 28-10719 inclusive.
 D - Used on PA-28-140 with serial numbers 28-21 596 to 28-25382 inclusive, PA-28-150, PA-28-160 and PA-28-180 with serial numbers 28-3178 to 28-5287 inclusive, and PA-28R-180 with serial numbers 28R-30005 to 28R-30481 inclusive, and 28R-30483 to 28R-31086 inclusive.
 E - Used on PA-28-140 with serial numbers 28-25383 and up, PA-28-180 with serial numbers 28-5288 and up, PA-28R-180 with serial numbers 28R-3087 and up, and PA-28R-200 with serial numbers 28R-30482, 28R-35001 and up.
 F - Used on PA-28-140 with serial numbers 28-21596 and up, PA-28-150, PA-28-160 and PA-28-180 with serial numbers 28-3178 and up, PA-28R-180 and PA-28R-200 airplanes.

When ordering, always specify Part Number, Description, and Serial Number of Aircraft

PA-28-140
 PA-28-150
 PA-28-160
 PA-28-180
 PA-28-235
 PA-28R-180
 PA-28R-200

THIS PAGE INTENTIONALLY LEFT BLANK

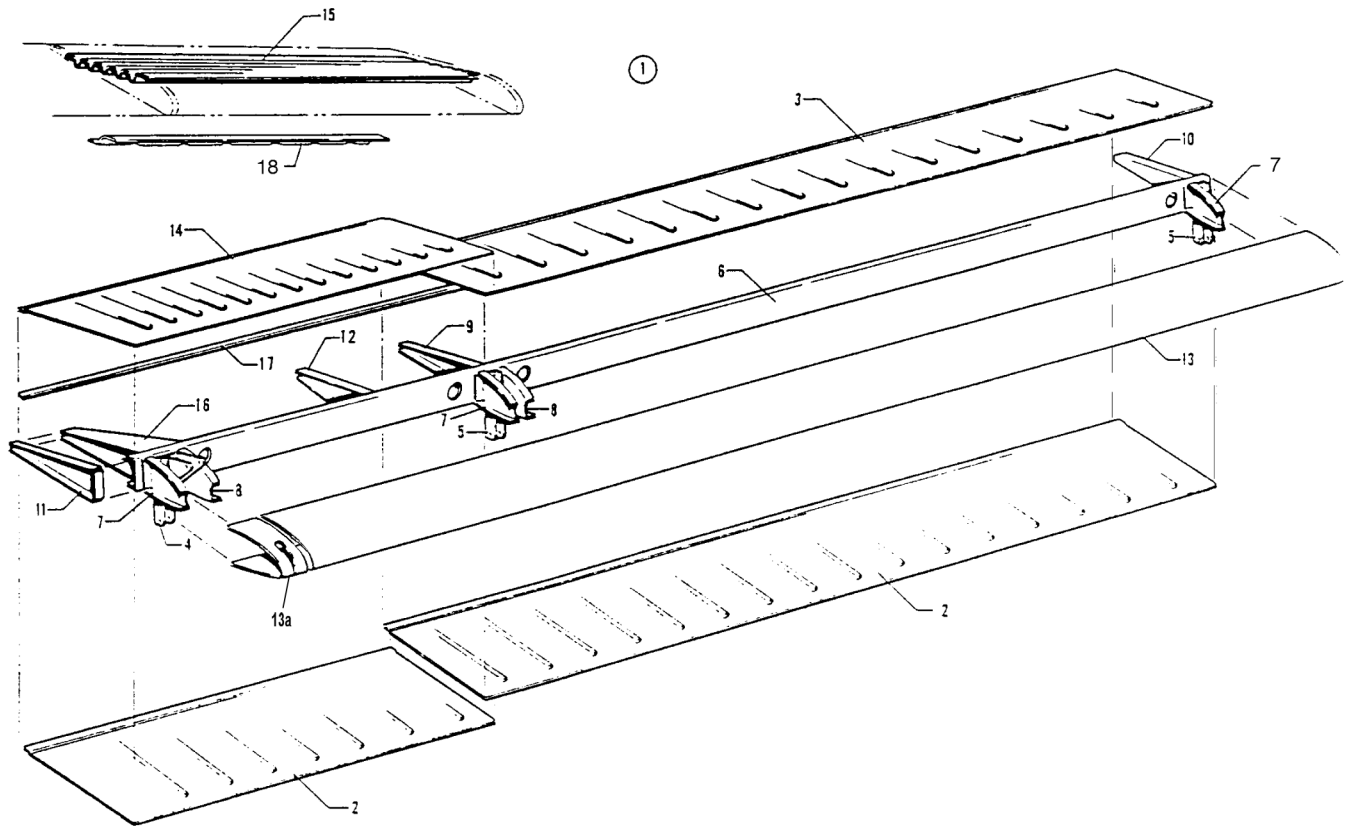


Figure 7. Flap Assembly

THIS PAGE INTENTIONALLY LEFT BLANK

PIPER PARTS CATALOG

Figure and Index Number	Part Number	Code	NOMENCLATURE	No. Req.	SERIAL NUMBERS AFFECTED
7 -1	62320-000	B	FLAP ASSEMBLY - Left	1	
	65591-000	A	FLAP ASSEMBLY - Left	1	
	62320-002	B	FLAP ASSEMBLY - Right	1	
	65590-001	A	FLAP ASSEMBLY - Right	1	
-2	62321-000	B	* SKIN - Flap, bottom, left	1	
	62321-001	B	* SKIN - Flap, bottom, right	1	
	65592-000	A	* SKIN - Flap, bottom, left, inboard	1	
	65592-001	A	* SKIN - Flap, bottom, right, inboard	1	
-3	65588-000	A	* SKIN - Flap, bottom, left and right, outboard	1	
	62322-000	B	* SKIN - Flap, top, left	1	
	62322-002	B	* SKIN - Flap, top, right, outboard	1	
-4	65589-000	A	* SKIN - Flap, top, left and right, outboard	1	
	62324-000		* HINGE - Flap, inboard, left	1	
-5	62324-001		* HINGE - Flap, inboard, right	1	
	62323-000	C	* BRACKET - Flap hinge center and outboard	2	
-6	65899-000	D	* BRACKET - Flap hinge center and outboard	2	
	62327-000		* SPAR - Flap	1	
-7	62328-000		* RIB - Left flap	3	
	62328-001		* RIB - Right flap	3	
-8	62328-001		* RIB - Left flap	2	
	62328-000		* RIB - Right flap	2	
-9	62329-000	B	* RIB - Flap, left and right, wing, Sta. 49	1	
	62332-002	A	* RIB - Flap, left, wing, Sta. 49	1	
	62332-000	A	* RIB - Flap, right, wing, Sta. 49	1	
-10	62330-000		* RIB - Flap, left	1	
	62330-001		* RIB - Flap, right	1	
-11	62331-000		* RIB - Flap, left, inboard	1	
	62331-001		* RIB - Flap, right, inboard	1	
-12	62332-000	B	* RIB - Flap, right, wing, Sta. 41	1	
			A - Used on PA-28-235 with serial numbers 28-10720 and up, PA-28-140 with serial numbers 28-21596 and up, PA-28-150, PA-28-160 and PA-28-180 with serial numbers 28-3178 and up, PA-28R-180 and PA-28R-200 airplanes.		
			B - Used on PA-28-235 with serial numbers 28-10003 to 29-10719 inclusive, PA-28-140 with serial numbers 28-20002 to 28-21595 inclusive, PA-28-150, PA-28-160 and PA-28-180 with serial numbers 28-1 to 28-3177 inclusive.		
			C - Used on PA-28-140 with serial numbers 28-20002 to 28-23544 inclusive, PA-28-150, PA-28-160 and PA-28-180 with serial numbers 28-1 to 28-4254 inclusive, PA-28-235 with serial numbers 28-10003 to 23-10983 inclusive and PA-28R-180 with serial numbers 28R-30005 to 28R-30060 inclusive.		
			D - Used on PA-28-140 with serial numbers 28-23545 and up, PA-28-150, PA-28-160 and PA-28-180 with serial numbers 28-4255 and up, PA-28-235 with serial numbers 28-10984 and up, PA-28R-180 with serial numbers 28R-30061 to 28R-30481 inclusive 28R-30483 and up, and PA-28R-200 with serial numbers 29R-30482, 28R-35001 and up.		

When ordering, always specify Part Number, Description, and Serial Number of Aircraft

PIPER PARTS CATALOG

Figure and Index Number	Part Number	Code	NOMENCLATURE	No. Req.	SERIAL NUMBERS AFFECTED
7 -13	62333-000	B	SKIN - Flap, left, nose	1	
	62333-001	B	SKIN - Flap, right, nose	1	
	65586-004	A	SKIN - Flap, left, nose	1	
	65586-005	A	SKIN - Flap, right, nose	1	
-13a	62127-000	B	SKIN - Flap, left, nose, inner	1	
	62127-001	B	SKIN - Flap, right, nose, inner	1	
-14	62334-000	B	SKIN - Flap, top, right, inboard	1	
	65594-001	A	SKIN - Flap, top, right, inboard	1	
-15	65587-000	A	SKIN - Flap, top, left, inboard	1	
	62335-000	B	CORRUGATION - Flap, top, right, inboard	1	
-16	65593-001	A	CORRUGATION - Flap, top, right, inboard	1	
	62336-000		DOUBLER ASSEMBLY - left	1	
-17	62336-008		DOUBLER ASSEMBLY - Right	1	
	62320-003		STRIP - Flap rear edge	1	
-18	62320-004	B	ZEE - Flap, inboard right	1	
	65595-001	A	ZEE - Flap, inboard right	1	
			<p>A - Used on PA-28-235 with serial numbers 28-10720 and up, PA-28-140 with serial numbers 28-21596 and up, PA-28-150, PA-28-160 and PA-28-180 with serial numbers 28-3178 and up, PA-28R-180 and PA-28R-200 airplanes.</p> <p>B - Used on PA-28-235 with serial numbers 28-10003 to 28-10719 inclusive, PA-28-140 with serial numbers 28-20002 to 28-21595 inclusive, PA-28-150, PA-28-160 and PA-28-180 with serial numbers 28-1 to 28-3177 inclusive.</p>		

When ordering, always specify Part Number, Description, and Serial Number of Aircraft

SECTION 2

FUSELAGE GROUP

THIS PAGE INTENTIONALLY LEFT BLANK

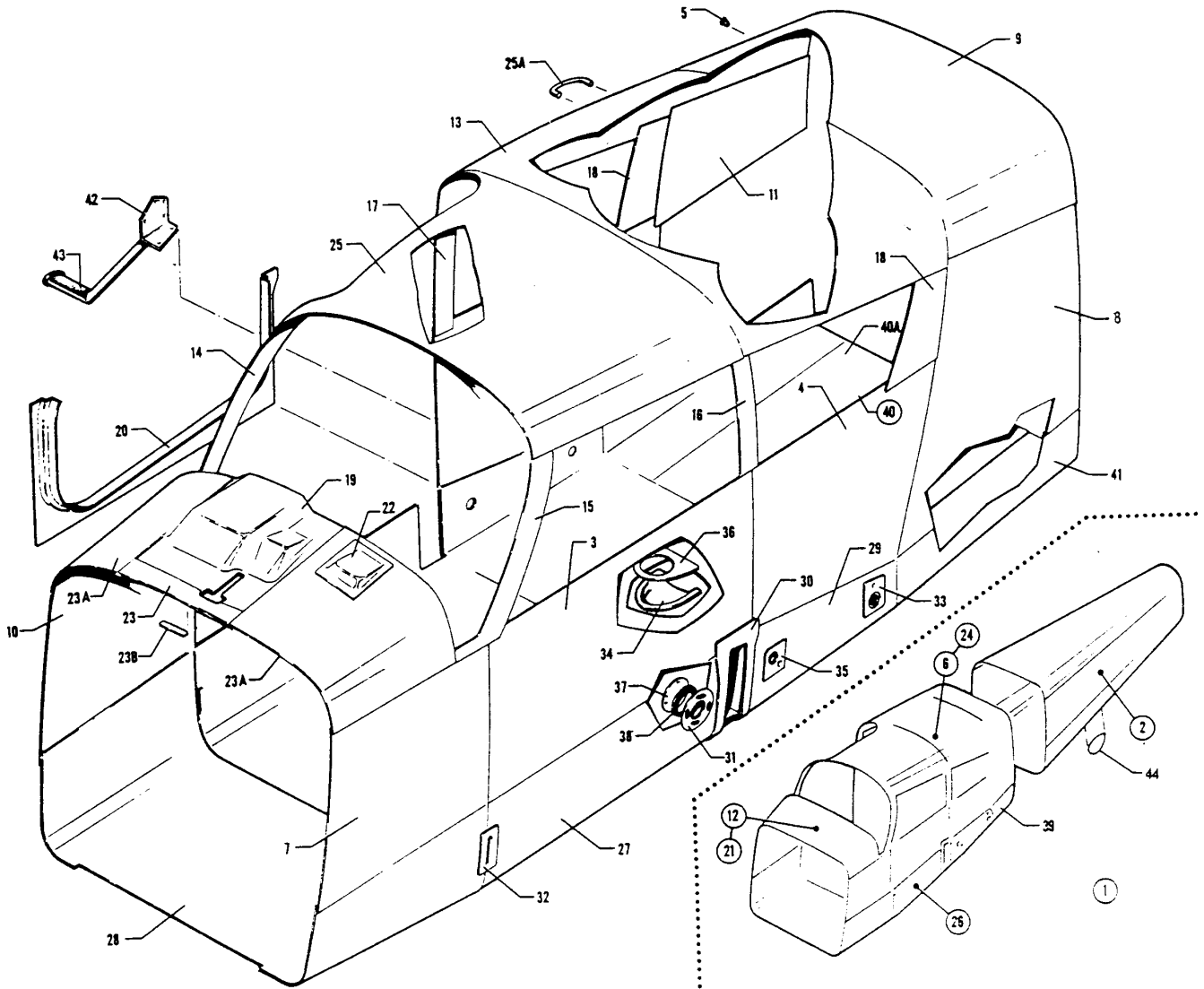


Figure 8. Complete Fuselage
 (PA-28-150-160-180 - Serial Nos. 28-1 to 28-4377 inclusive)
 (PA-28-235 - Serial Nos. 28-10003 to 28-11039 inclusive)
 (PA-28-140 - Serial Nos. 28-20002 and up)

PA-28-140
 PA-28-150
 PA-28-160
 PA-28-180
 PA-28-235

THIS PAGE INTENTIONALLY LEFT BLANK

PIPER PARTS CATALOG

Figure and Index Number	Part Number	Code	NOMENCLATURE	No. Req.	SERIAL NUMBERS AFFECTED
8-	62400		DRAWING - Fuselage Assembly (Complete)		28-1 to 28-1760 inclusive
	62299	E	DRAWING - Fuselage Assembly (Complete)		28-1761 to 28-4377 inclusive
	65073	B	DRAWING - Fuselage Assembly (Complete)		28-10003 to 28-10486 inclusive
	66445	B	DRAWING - Fuselage Assembly (Complete)		28-10487 to 28-11039 inclusive
	62284	C	DRAWING - Fuselage Assembly (Complete)		28-20002 to 28-24999 inclusive
	66665	C	DRAWING - Fuselage Assembly (Complete)		23-25000 to 28-7225612 incl.
	99981	C	DRAWING - Fuselage Assembly (Complete)		28-7325001 and up
-1	62419-000	E	FUSELAGE ASSEMBLY	1	28-1 to 28-670 inclusive
	62419-017	E	FUSELAGE ASSEMBLY	1	28-671 to 28-990 inclusive
	62419-021	E	FUSELAGE ASSEMBLY	1	28-991 to 28-1760 inclusive
	62884-000	E	FUSELAGE ASSEMBLY	1	28-1761 to 28-2477 inclusive
	66611-000	E	FUSELAGE ASSEMBLY	1	28-2478 to 28-3377 inclusive
	66611-011	E	FUSELAGE ASSEMBLY	1	28-3378 to 28-4377 inclusive
	65087-000	B	FUSELAGE ASSEMBLY	1	28-10003 to 28-10486 inclusive
	65444-000	B	FUSELAGE ASSEMBLY	1	28-10487 to 28-10675 inclusive
	65476-000	B	FUSELAGE ASSEMBLY	1	28-10676 to 28-10719 inclusive
	65624-000	B	FUSELAGE ASSEMBLY	1	28-10720 to 28-11039 inclusive
	62285-000	C	FUSELAGE ASSEMBLY	1	28-20002 to 28-20280 inclusive
	62882-000	C	FUSELAGE ASSEMBLY	1	28-20281 to 28-21845 inclusive, 28-21931 to 28-21934 inclusive
	62882-003	C	FUSELAGE ASSEMBLY	1	28-21846 to 28-21930 inclusive, 28-21935 to 28-24999 inclusive
	68694-000	C	FUSELAGE ASSEMBLY	1	28-25000 to 28-26400 inclusive
	66694-005	C	FUSELAGE ASSEMBLY	1	28-26401 to 28-26956 inclusive
	66694-007	C	FUSELAGE ASSEMBLY	1	28-7125001 to 28-712565
	66694-009	C	FUSELAGE ASSEMBLY	1	28-7225001 to 28-722561
	66694-011	C	FUSELAGE ASSEMBLY	1	28-7325001 to 28-7325684 incl.
	79131-000	C	FUSELAGE ASSEMBLY	1	28-7425001 to 28-7425298 incl. 28-7425300 to 28-7425454 incl.
	79131-004	C	FUSELAGE ASSEMBLY	1	28-7425299, 28-7525001 to 28-7625030 inclusive
79549-000	C	FUSELAGE ASSEMBLY	1	28-7525031 and up	
-2	99466-000	D,E	AFT SECTION - Fuselage	1	28-1 to 28-4377 inclusive
	99466-002	B,D	AFT SECTION - Fuselage	1	28-10003 to 28-10719 inclusive
	99466-003	B,D	AFT SECTION - Fuselage	1	28-10720 to 28-11039 inclusive
	99466-004	C,D	AFT SECTION - Fuselage	1	28-20002 to 28-7325684 incl.
	99466-012	C,D,F	AFT SECTION - Fuselage	1	28-25001, 28-7125472 to 28-7325684 inclusive
	99466-009	C,D	AFT SECTION - Fuselage	1	28-7425001 and up
	99466-013	C,D,F	AFT SECTION - Fuselage	1	28-7425001 and up
	<p>A - Used on PA-28-140 with serial numbers 28-20002 and up, PA-28-150, PA-28-160 and PA-28-180 with serial numbers 28-1 to 28-4377 inclusive, and PA-28-235 with serial numbers 28-10003 to 28-11039 inclusive.</p> <p>B - Used on PA-28-235 airplanes only.</p> <p>C - Used on PA-28-140 airplanes only.</p> <p>D - See Figure 15 for component parts.</p> <p>E - Used on PA-28-150, PA-28-160 and PA-28-180 only.</p> <p>F - Used if air conditioning is installed.</p>				

When ordering, always specify Part Number, Description, and Serial Number of Aircraft

PA-28-140
PA-28-150
PA-28-160
PA-28-180
PA-28-235

PIPER PARTS CATALOG

Figure and Index Number	Part Number	Code	NOMENCLATURE	No. Req.	SERIAL NUMBERS AFFECTED	
8 -3	62419-003	C	SKIN - left side	1	28-20002 to 28-24999 inclusive	
	76474-002	C	SKIN - left side	1	28-25000 to 28-7625030 incl.	
	76474-902	C	SKIN - left side	1	28-7625031 and up	
	62419-003	F	SKIN - left side	1		
	76474-002	D	SKIN - left side	1		
	-4	62419-004	F	SKIN - left side	1	
		76476-000	G	SKIN - left side	1	
		76476-900	C	SKIN - left side	1	28-7625031 and up
		62419-010	F	SKIN - Right side	1	
	-5	76476-001	G	SKIN - Right side	1	
76476-901		C	SKIN - Right side	1	28-7625031 and up	
487-632			STUD - Fastener (63316) (used with eyelet type baggage straps)	1		
	487-674		STUD - Fastener (XX-16362 x 3/8) (used with socket type baggage straps)	1		
-6	62419-009	E	COCKPIT ASSEMBLY - Fuselage	1	28-1 to 28-670 inclusive	
	62419-018	E	COCKPIT ASSEMBLY - Fuselage	1	28-671 to 28-990 inclusive	
	62419-020	E	COCKPIT ASSEMBLY - Fuselage	1	28-991 to 28-1760 inclusive	
	62884-002	E	COCKPIT ASSEMBLY - Fuselage	1	28-1761 to 28-2477 inclusive	
	65611-002	E	COCKPIT ASSEMBLY - Fuselage	1	28-2478 to 28-3377 inclusive	
	65611-010	E	COCKPIT ASSEMBLY - Fuselage	1	28-3378 to 28-4377 inclusive	
	65087-003	B	COCKPIT ASSEMBLY - Fuselage	1	28-10003 to 28-10486 inclusive	
	65441-002	B	COCKPIT ASSEMBLY - Fuselage	1	28-10487 to 28-10675 inclusive	
	65476-002	B	COCKPIT ASSEMBLY - Fuselage	1	28-10676 to 28-10719 inclusive	
	65624-002	B	COCKPIT ASSEMBLY - Fuselage	1	28-10720 to 28-11039 inclusive	
	62285-005	C	COCKPIT ASSEMBLY - Fuselage	1	28-20002 to 28-20280 inclusive	
	62882-002	C	COCKPIT ASSEMBLY - Fuselage	1	28-20281 to 28-21845 inclusive	
					28-21931 to 28-21934 inclusive	
	62882-004	C	COCKPIT ASSEMBLY - Fuselage	1	28-21846 to 28-21930 inclusive	
					28-21935 to 28-24999 inclusive	
	66694-002	C	COCKPIT ASSEMBLY - Fuselage	1	28-25000 to 28-26400 inclusive	
	66694-006	C	COCKPIT ASSEMBLY - Fuselage	1	28-26401 to 28-26956 inclusive	
	66694-008	C	COCKPIT ASSEMBLY - Fuselage	1	28-7125001 to 28-7125651 incl.	
	66694-010	C	COCKPIT ASSEMBLY - Fuselage	1	28-7225001 to 28-7225612 incl.	
	66694-012	C	COCKPIT ASSEMBLY - Fuselage	1	28-7325001 to 28-7325684 incl.	
	79131-002	C	COCKPIT ASSEMBLY - Fuselage	1	28-7425001 to 28-7425298 incl.	
					28-7425300 to 28-7425454 incl.	
	79131-003	C	COCKPIT ASSEMBLY - Fuselage	1	28-7425299, 28-7525001 to 28-7625030 incl.	
79549-903	C	COCKPIT ASSEMBLY - Fuselage	1	28-7625031 and up		

A - Used on PA-28-140 with serial numbers 28-20002 and up, PA-28-150, PA 28-160 and PA-28-180 with serial numbers 28-1 to 28-4377 inclusive, and on PA-28-235 with serial numbers 28-10003 to 28-11039 inclusive.

B - Used on PA-28-235 airplanes only.

C - Used on PA-28-140 airplanes only.

D - Used on PA-28-150, PA-28-160 and PA-28-180 with serial numbers 28-2478 to 28-4377 inclusive, and PA-28-235 with serial numbers 28-10676 to 28-11039 inclusive.

E - Used on PA-28-150, PA-28-160 and PA-28-180 only.

F - Used on PA-28-150, PA-28-160 and PA-28-180 with serial numbers 28-1 to 28-2477 inclusive, and on PA-28-235 with serial numbers 28-10003 to 28-10675 inclusive.

G - Used on PA-28-150, PA-28-160 and PA-28-180 with serial numbers 28-2478 to 28-4377 inclusive, on PA-28-235 with serial numbers 28-10676 to 28-11039 inclusive, and PA-28-140 with serial number 28-20002 to 28-7625030 inclusive.

PA-28-140
PA-28-150
PA-28-160
PA-28-180
PA-28-235

When ordering, always specify Part Number, Description, and Serial Number of Aircraft

PIPER PARTS CATALOG

Figure and Index Number	Part Number	Code	NOMENCLATURE	No. Req.	SERIAL NUMBERS AFFECTED
8 -7	62419-002	B	SKIN - Cockpit, left front	1	28-1 to 28-1760 inclusive
	62419-002	C	SKIN - Cockpit, left front	1	28-20002 to 28-24999 incl.
	66694-004	C	SKIN - Cockpit, left front	1	28-25000 to 28-7625030 incl.
	79563-900	C	SKIN - Cockpit, left front	1	28-7625031 and up
	65087-005	B	SKIN - Cockpit, left front	1	28-10003 to 28-10675 incl.
	65087-005	F	SKIN - Cockpit, left front	1	28-1761 to 28-2477 inclusive
	66611-007	D	SKIN - Cockpit, left front	1	
-8	79570-000	G	SKIN - Cockpit, left rear	1	
	79570-900	C	SKIN - Cockpit, left rear	1	28-7625031 and up
-9	79577-002	G	SKIN - Cockpit, top rear	1	
	79577-901	C	SKIN - Cockpit, top rear	1	28-7625031 and up
-10	62419-007	F	SKIN - Cockpit, right front	1	28-1 to 28-544 inclusive
	62419-016	F	SKIN - Cockpit, right front	1	28-545 to 28-1760 inclusive
	62419-016	C	SKIN - Cockpit, right front	1	28-20002 to 28-24999 incl.
	66694-003	C	SKIN - Cockpit, right front	1	28-25000 to 28-7625030 incl.
	79563-904	C	SKIN - Cockpit, right front	1	28-7625031 and up
	65087-004	B	SKIN - Cockpit, right front	1	28-10003 to 28-10675 incl.
	60087-004	F	SKIN - Cockpit, right front	1	28-1761 to 28-2477 inclusive
	65611-006	D	SKIN - Cockpit, right front	1	
-11	62419-008	B,F	SKIN - Cockpit, right side rear	1	
	79670-000	C	SKIN - Cockpit, right side rear	1	28-20002 to 28-7625030 incl.
	79570-901	C	SKIN - Cockpit, right side rear	1	28-7625031 and up
-12	62420-000	F	UPPER COCKPIT ASSEMBLY - Complete	1	28-1 to 28-990 inclusive
	62873-000	E	UPPER COCKPIT ASSEMBLY - Complete	1	
	62873-007	C	UPPER COCKPIT ASSEMBLY - Complete	1	28-21846 to 28-21930 incl.
	66699-000	C	UPPER COCKPIT ASSEMBLY - Complete	1	28-21935 to 28-24999 incl.
	66699-006	C	UPPER COCKPIT ASSEMBLY - Complete	1	28-26401 to 28-26956 incl.
	99388-000	C	UPPER COCKPIT ASSEMBLY - Complete	1	28-7125001 to 28-7125661 incl.
	99388-006	C	UPPER COCKPIT ASSEMBLY - Complete	1	28-7225001 to 28-7225612 incl.
	99388-008	C	UPPER COCKPIT ASSEMBLY - Complete	1	28-7325001 to 28-7325684 incl.
	76364-000	C	UPPER COCKPIT ASSEMBLY - Complete	1	28-7425001 to 28-7425298 incl.
	76364-002	C	UPPER COCKPIT ASSEMBLY - Complete	1	28-7425300 to 28-7425454 incl.
	79649-908	C	UPPER COCKPIT ASSEMBLY - Complete	1	28-7425299, 28-7525001 to 28-7625030 inclusive
	62375-005	F	UPPER COCKPIT ASSEMBLY - Complete	1	28-7625031 and up
	62375-010	F	UPPER COCKPIT ASSEMBLY - Complete	1	28-1761 to 28-3377 inclusive
				1	28-3378 to 28-4377 inclusive

A - Used on PA-28-140 with serial numbers 28-20002 and up, PA-28-150, PA-28-160 and PA-28-180 with serial numbers 28-1 to 28-4377 inclusive, and PA-28-235 with serial number 28-10003 to 28-11039 inclusive.

B - Used on PA-28-235 airplanes only.

C - Used on PA-28-140 airplanes only.

D - Used on PA-28-150, PA-28-160 and PA-28-180 with serial number 28-2478 to 28-4377 inclusive, and PA-28-235 with serial number 28-10676 to 28-11039 inclusive.

E - Used on PA-28-150, PA-28-160 and PA-28-180 with serial number 28-491 to 28-1760 inclusive, and PA-28-140 with serial number 28-20002 to 28-21845 inclusive, and 28-21931 to 28-21934 inclusive.

F - Used on PA-28-150, PA-28-160 and PA-28-180 only.

G - Used on PA-28-140 with serial numbers 28-20002 to 28-7625030 inclusive, PA-28-150, PA-28-160 and on PA-28-180 with serial number 28-1 to 28-4377 inclusive, and PA-28-235 with serial number 28-10003 to 28-11039 inclusive.

When ordering, always specify Part Number, Description, and Serial Number of Aircraft

PA-28-140
PA-28-150
PA-28-160
PA-28-180
PA-28-235

PIPER PARTS CATALOG

Figure and Index Number	Part Number	Code	NOMENCLATURE	No. Req.	SERIAL NUMBERS AFFECTED
8 -12	65088-000	B	UPPER COCKPIT ASSEMBLY - Complete	1	28-10003 to 28-10486 inclusive
	65443-003	B	UPPER COCKPIT ASSEMBLY - Complete	1	28-10487 to 28-10719 inclusive
-13	65563-000	B	UPPER COCKPIT ASSEMBLY - Complete	1	28-10720 to 28-11039 inclusive
	62420-009	C	SKIN - Upper cockpit, top center	1	28-20002 to 28-24999 inclusive
	79573-000	C	SKIN - Upper cockpit, top center	1	28-25000 to 28-7625030 incl.
	79573-900	C	SKIN - Upper cockpit, top center	1	28-7625031 and up
	62420-009	F	SKIN - Upper cockpit, top center	1	
	62420-009	B	SKIN - Upper cockpit, top center	1	28-10003 to 28-10719 inclusive
	65563-003	B	SKIN - Upper cockpit, top center	1	28-10720 to 28-11039 inclusive
-14	62420-011	G	SKIN - Windshield, right side trim	1	
	79561-003	C	SKIN - Windshield, right side trim	1	28-7625031 and up
-15	62420-022	E	SKIN - Windshield, left side trim	1	
	76255-000	C	SKIN - Windshield, left side trim	1	28-7425001 and up
-16	62490-000	E	SKIN - Window trim, left side center	1	
	79132-000	C	SKIN - Window trim, left side center	1	28-7425001 and up
-17	62491-000	E	SKIN - Window trim, right side front	1	
	79133-000	C	SKIN - Window trim, right side front	1	28-7425001 and up
-18	62693-000	E	SKIN - Upper cockpit, left side rear window	1	
	79176-000	C	SKIN - Upper cockpit, right side rear window	1	28-7425001 and up
	62693-001	E	SKIN - Upper cockpit, right side rear window	1	
	79176-001	C	SKIN - Upper cockpit, right side rear window	1	28-7425001 and up
-19	62691-000	F	SKIN ASSEMBLY - Upper cockpit assembly	1	28-1 to 28-1760 inclusive
	62691-000	C	SKIN ASSEMBLY - Upper cockpit assembly	1	28-20002 to 28-24999 inclusive
	62691-003	B	SKIN ASSEMBLY - Upper cockpit assembly	1	28-10003 to 28-10486 inclusive
	63081-000	D	SKIN ASSEMBLY - Upper cockpit assembly	1	
-20	62493 000	G	PAN - Upper cockpit, outboard	1	
	79647-002	C	PAN - Upper cockpit, outboard	1	28-7625031 and up

A - Used on PA-28-140 with serial numbers 28-20002 and up, PA-28-150, PA-28-160 and PA-28-180 with serial numbers 28-1 to 28-4377 inclusive, and PA-28-235 with serial number 28-10003 to 28-11039 inclusive.

B - Used on PA-28-235 airplanes only.

C - Used on PA-28-140 airplanes only.

D - Used on PA-28-150, PA-28-160 and PA-28-180 with serial number 28-1761 to 28-4377 inclusive, and PA-28-235 with serial number 28-10487 to 28-11039 inclusive.

E - Used on PA-28-140 with serial numbers 28-20002 to 28-7325684 inclusive, PA-28-150, PA-28-160 and PA-28-180 with serial number 28-1 to 28 4377 inclusive, and PA-28-235 with serial numbers 28-10003 to 28-11039 inclusive.

F - Used on PA-28-150, PA-28-160 and PA-28-180 only.

G - Used on PA-28-140 with serial numbers 28-20002 to 28-7625030 inclusive, PA-28-150, PA-28-160 and PA-28-180 with serial numbers 28-1 to 28-4377 inclusive, and PA-28-235 with serial numbers 28-10003 to 28-11039 inclusive.

PA-28-140
PA-28-150
PA-28-160
PA-28-180
PA-28-235

When ordering, always specify Part Number, Description, and Serial Number of Aircraft

PIPER PARTS CATALOG

Figure and Index Number	Part Number	Code	NOMENCLATURE	No. Req.	SERIAL NUMBERS AFFECTED
8 -21	62420-014	E,F	UPPER COCKPIT ASSEMBLY - Forward	1	28-1 to 28-1760 incl.
	62420-014	C,E	UPPER COCKPIT ASSEMBLY - Forward	1	28-20002 to 28-21845 incl.
	62420-021	C,E	UPPER COCKPIT ASSEMBLY - Forward	1	28-21931 to 28-21934 incl. 28-21846 to 28-21930 incl. 28-21935 to 28-24999 incl.
	66699-002	C,E	UPPER COCKPIT ASSEMBLY - Forward	1	28-25000 to 28-26400 incl.
	66699-007	C,E	UPPER COCKPIT ASSEMBLY - Forward	1	28-26401 to 28-26956 incl.
	99388-002	C,E	UPPER COCKPIT ASSEMBLY - Forward	1	28-7125001 to 28-7225612 incl.
	99388-007	C,E	UPPER COCKPIT ASSEMBLY - Forward	1	28-7325001 to 28-7325684 incl.
	99388-010	C,E	UPPER COCKPIT ASSEMBLY - Forward	1	28-7425001 to 28-7425298 incl. 28-7425300 to 28-7425454 incl.
	99388-014	C,E	UPPER COCKPIT ASSEMBLY - Forward	1	28-7425299, 28-7525001 to 28-7625030 inclusive
	79549-909	C,E	UPPER COCKPIT ASSEMBLY - Forward	1	28-7625031 and up
	62375-006	E,F	UPPER COCKPIT ASSEMBLY - Forward	1	28-1761 to 28-3377 inclusive
	62375-011	E,F	UPPER COCKPIT ASSEMBLY - Forward	1	28-3378 to 28-4377 inclusive
	65088-002	B,E	UPPER COCKPIT ASSEMBLY - Forward	1	28-10003 to 28-10486 incl.
	65443-004	B,E	UPPER COCKPIT ASSEMBLY - Forward	1	28-10487 to 28-10719 incl.
	65563-002	B,E	UPPER COCKPIT ASSEMBLY - Forward	1	28-10720 to 28-11039 incl.
-22	63596-000	F	COVER - Forward upper cockpit	1	28-2053 to 28-4377 inclusive
	63596-000	B	COVER - Forward upper cockpit	1	28-10591 to 28-11039 incl.
-23	65179-000	B	FILLER - Upper cockpit, forward	1	28-10003 to 28-10486 incl.
	62406-000	B	FILLER - Upper cockpit, forward	1	28-10487 to 28-11039 incl.
	62406-000	F	FILLER - Upper cockpit, forward	1	28-1761 to 28-4377 inclusive
	62507 000	C	FILLER - Upper cockpit, forward	1	28-7625031 and up
-23a	62420-004	F	SKIN - Instruments cover, left	1	28-1 to 28-1760 inclusive
	62420-004	C	SKIN - Instruments cover, left	1	28-20002 to 28-24999 incl.
	65088-004	B	SKIN - Instruments cover, left	1	28-10003 to 28-10486 incl.
	62375-004	F	SKIN - Instruments cover, left	1	28-1761 to 28-2052 inclusive
	62375-004	B	SKIN - Instruments cover, left	1	28-10487 to 28-10690 incl.
	62375-007	F	SKIN - Instruments cover, left	1	28-2053 to 28-4377 inclusive
	62375-007	B	SKIN - Instruments cover, left	1	28-10591 and up
	62420-005	F	SKIN - Instruments cover, right	1	28-1 to 28-1760 inclusive
	62420-005	C	SKIN - Instruments cover, right	1	28-20002 to 28-24999 incl.
	65088-003	B	SKIN - Instruments cover, right	1	28-10003 to 28-10486 incl.
	62375-003	D	SKIN - Instruments cover, right	1	
	66699-005	C	SKIN - Instruments cover, complete	1	28-25000 to 28-26956 incl.
	99388-005	C	SKIN - Instruments cover, complete	1	28-7125001 to 28-7225612 incl.
	99388-009	C	SKIN - Instruments cover, complete	1	28-7425001 to 28-7425298 incl. 28-7425300 to 28-7425454 incl.
	79569-000	C	SKIN - Instruments cover, complete	1	28-7425299, 28-7525001 to 28-7625030 inclusive
	79569-900	C	SKIN - Instruments cover, complete	1	28-7625031 and up
-23b	68817-050	C	DOUBLER - Forward upper cockpit, top	1	28-7625031 and up

A - Used on PA-28-140 with serial number 28-20002 and up, PA-28-150, PA-28-160 and PA-28-180 with serial numbers 28-1 to 28-4377 inclusive, and PA-28-235 with serial numbers 28-10003 to 28-11039 inclusive.
 B - Used on PA-28-235 airplanes only.
 C - Used on PA-28-140 airplanes only.
 D - Used on PA-28-150, PA-28-160 and PA-28-180 with serial numbers 28-1761 to 28-4377 inclusive, and PA-28-235 with serial numbers 28-10487 to 28-11039 inclusive.
 E - See Figure 10 for component parts.
 F - Used on PA-28-150, PA-28-160 and PA-28-180 only.

When ordering, always specify Part Number, Description, and Serial Number of Aircraft

PA-28-140
PA-28-150
PA-28-160
PA-28-180
PA-28-235

PIPER PARTS CATALOG

Figure and Index Number	Part Number	Code	NOMENCLATURE	No. Req.	SERIAL NUMBERS AFFECTED
8 -24	62420-015	G	UPPER CENTER COCKPIT ASSEMBLY	1	28-1 to 28-990 inclusive
	62873-002	E,G	UPPER CENTER COCKPIT ASSEMBLY	1	
	62873-009	C,G	UPPER CENTER COCKPIT ASSEMBLY	1	28-26401 to 28-7325684 incl.
	62873-013	C,G	UPPER CENTER COCKPIT ASSEMBLY	1	28-7425001 to 28-7625030 incl.
	79549-910	C,G	UPPER CENTER COCKPIT ASSEMBLY	1	28-7625031 and up
	65563-007	B,G	UPPER CENTER COCKPIT ASSEMBLY	1	28-10720 to 28-11039 inclusive
-25	62420-003		* SKIN - Top front	1	28-1 to 28-990 inclusive
	79576-000		* SKIN - Top front	1	28-991 and up
	79576-900	C	* SKIN - Top front	1	28-7625031 and up
-25a	761-077	J	KIT - Cabin assist handle replacement	1	
	481-772	C	HANDLE - (N12865)	1	28-7525262 and up
-26	62422-000	F,H	LOWER COCKPIT ASSEMBLY - Complete	1	28-1 to 28-1760 inclusive
	62315-000	F,H	LOWER COCKPIT ASSEMBLY - Complete	1	28-1761 to 28-2477 inclusive
	65600-000	F,H	LOWER COCKPIT ASSEMBLY - Complete	1	28-2478 to 28-4377 inclusive
	65089-000	B,H	LOWER COCKPIT ASSEMBLY - Complete	1	28-10003 to 28-10486 inclusive
	65089-004	B,H	LOWER COCKPIT ASSEMBLY - Complete	1	28-10487 to 28-10675 inclusive
	65467-000	B,H	LOWER COCKPIT ASSEMBLY - Complete	1	28-10676 to 28-10719 inclusive
	65534-000	B,H	LOWER COCKPIT ASSEMBLY - Complete	1	28-10720 to 28-11039 inclusive
	62422-014	C,H	LOWER COCKPIT ASSEMBLY - Complete	1	28-20002 to 28-20280 inclusive
	62314-000	C,H	LOWER COCKPIT ASSEMBLY - Complete	1	28-20281 to 28-24999 inclusive
	62314-003	C,H	LOWER COCKPIT ASSEMBLY - Complete	1	28-25000 to 28-26956 inclusive
	62314-006	C,H	LOWER COCKPIT ASSEMBLY - Complete	1	28-7125001 to 28-7125651 incl.
	62314-007	C,H	LOWER COCKPIT ASSEMBLY - Complete	1	28-7225001 to 28-7325684 incl.
	62314-008	C,H	LOWER COCKPIT ASSEMBLY - Complete	1	28-7425001 to 28-7625030 incl.
	79549-905	C,H	LOWER COCKPIT ASSEMBLY - Complete	1	28-7625031 and up
-27	62422-002	F	* SKIN - Cockpit, center front, bottom	1	28-1 to 28-1760 inclusive
	62422-002	B	* SKIN - Cockpit, center front, bottom	1	28-10003 to 28-10675 inclusive
	62422-002	C	* SKIN - Cockpit, center front, bottom	1	28-20002 to 28-20280 inclusive
	62315-003	D	* SKIN - Cockpit, center front, bottom	1	

- A - Used on PA-28-140 with serial numbers 28-20002 and up, PA-28-150, PA-28-160 and PA-28-180 with serial numbers 28-1 to 28-4377 inclusive and on PA-28-235 with serial numbers 28-10003 to 28-11039 inclusive.
- B - Used on PA-28-235 airplanes only.
- C - Used on PA-28-140 airplanes only.
- D - Used on PA-28-140 with serial numbers 28-20281 to 28-24999 inclusive, PA-28-150, PA-28-160 and PA-28-180 with serial numbers 28-1761 to 28-2477 inclusive.
- E - Used on PA-28-140 with serial numbers 28-20002 to 28-26400 inclusive, PA-28-150, PA-28-160 and PA-28-180 with serial numbers 28-991 to 28-4377 inclusive, and PA-28-235 with serial numbers 28-10003 to 28-10719 inclusive.
- F - Used on PA-28-150, PA-28-160 and PA-28-180 airplanes only.
- G - See Figure 12 for component parts.
- H - See Figure 13 and 14 for component parts.
- J - Used on PA-28-140 with serial numbers 28-20002 to 28-7525261 inclusive, PA-28-150, PA-28-160 and on PA-28-180 with serial numbers 28-1 to 28-4377 inclusive, and PA-28-235 with serial numbers 28-10003 to 28-11039 inclusive.

PA-28-140
PA-28-150
PA-28-160
PA-28-180
PA-28-235

When ordering, always specify Part Number, Description, and Serial Number of Aircraft

PIPER PARTS CATALOG

Figure and Index Number	Part Number	Code	NOMENCLATURE	No. Req.	SERIAL NUMBERS AFFECTED
8 -27	79585-000	C	SKIN - Cockpit, center front, bottom	1	28-25000 to 28-7625030 incl.
	79585-900	C	SKIN - Cockpit, center front, bottom	1	28-7625031 and up
-28	79585-000	F	SKIN - Cockpit, center front, bottom	1	28-2478 to 28-4377 inclusive
	79585-000	B	SKIN - Cockpit, center front, bottom	1	28-10676 to 28-10719 incl.
	65534-003	B	SKIN - Cockpit, center front, bottom	1	28-10720 to 28-11039 incl.
	62422-012	F	SKIN - Cockpit, front, bottom	1	28-1 to 28-1760 inclusive
	62422-012	C	SKIN - Cockpit, front, bottom	1	28-20002 to 28-24999 incl.
	79582-000	C	SKIN - Cockpit, front, bottom	1	28-25000 to 28-7625030 incl.
	79582-900	C	SKIN - Cockpit, front, bottom	1	28-7625031 and up
	65089-003	B	SKIN - Cockpit, front, bottom	1	28-10003 to 28-10675 incl.
	65089-003	F	SKIN - Cockpit, front, bottom	1	28-1761 to 28-2477 inclusive
	65467-002	F	SKIN - Cockpit, front, bottom	1	28-2478 to 28-4377 inclusive
-29	65467-002	B	SKIN - Cockpit, front, bottom	1	28-10676 to 28-10719 incl.
	65534-004	B	SKIN - Cockpit, front, bottom	1	28-10720 to 28-11039 incl.
	62422-004	F	SKIN - Cockpit, center rear, bottom	1	28-1 to 28-1760 inclusive
	62315-002	F	SKIN - Cockpit, center rear, bottom	1	28-1761 to 28-4377 inclusive
	65089-002	B	SKIN - Cockpit, center rear, bottom	1	28-10003 to 28-10719 incl.
	79578-002	B	SKIN - Cockpit, center rear, bottom	1	28-10720 to 28-11039 incl.
	62422-013	C	SKIN - Cockpit, center rear, bottom	1	28-20002 to 28-20280 incl.
	62314-002	C	SKIN - Cockpit, center rear, bottom	1	28-20281 to 28-24999 incl.
	79578-000	C	SKIN - Cockpit, center rear, bottom	1	28-25000 to 28-7625030 incl.
	79578-900	C	SKIN - Cockpit, center rear, bottom	1	28-7625031 and up
-30	62541-000		DOUBLER - Cockpit, left	1	
	62541-001		DOUBLER - Cockpit, right	1	
-31	68539-000	D	DOUBLER ASSEMBLY - Lower cockpit	2	
-32	62538-000	E	DOUBLER - Lower cockpit assembly, left	2	
	62538-000	C	DOUBLER - Lower cockpit assembly, right	2	28-20002 to 28-24999 incl.
	68540-000	D	DOUBLER ASSEMBLY - Lower cockpit, left	1	
	68540-001	D	DOUBLER ASSEMBLY - Lower cockpit, right	1	
-33	62549-000		DOUBLER - Lower cockpit	2	
-34	66609-000	B	SCOOP - Cabin air exhaust	1	28-10720 to 28-11039 incl.
	66609-000	C,G	SCOOP - Cabin air exhaust	1	28-25000 and up
-35	65130-000	B	DOUBLER - Forward lower cockpit, left	1	28-10003 to 28-10719 incl.
	68569-000	B	DOUBLER - Forward lower cockpit, left	1	28-10720 to 28-11039 incl.
-36	65556-000	B	DOUBLER - Lower cockpit air scoop	1	28-10720 to 28-11039 incl.
	65556-000	C,H	DOUBLER - Lower cockpit air scoop	1	28-25000 and up
	65556-002	C	DOUBLER - Lower cockpit air scoop (less .44 hole)	1	28-7125472 and up

A - Used on PA-28-140 with serial numbers 28-20002 and up, PA-28-150, PA-28-160 and PA-28-180 with serial numbers 28-1 to 28-4377 inclusive, and on PA-28-235 with serial numbers 28-10003 to 28-11039 inclusive.
 B - Used on PA-28-235 airplanes only.
 C - Used on PA-28-140 airplanes only.
 D - Used on PA-28-140 with serial numbers 28-25000 and up, PA-28-150, PA-28-160 and PA-28-180 with serial numbers 28-2478 to 28-4377 inclusive, and PA-28-235 with serial numbers 28-10676 to 28-11039 inclusive.
 E - Used on PA-28-150, PA-28-160 and PA-28-180 with serial numbers 28-1 to 28-2477 inclusive, and PA-28-235 with serial numbers 28-10003 to 28-10675 inclusive.
 F - Used on PA-28-150, PA-28-160 and PA-28-180 airplanes only.
 G - See Figure 32D if Cabin Overhead Air Vent Installation is made.
 H - Order part number 65556-02 if air conditioning is installed.

When ordering, always specify Part Number, Description, and Serial Number of Aircraft

PA-28-140
PA-28-150
PA-28-160
PA-28-180
PA-28-235

PIPER PARTS CATALOG

Figure and Index Number	Part Number	Code	NOMENCLATURE	No. Req.	SERIAL NUMBERS AFFECTED
8 -37	66679-000	C	*** COVER PLATE - Doubler assembly	2	28-25000 and up
-38	68584-000	C	*** GASKET - Cover plate	2	28-25000 and up
-39	62660-000	E,F	*** LOWER COCKPIT ASSEMBLY - Aft	1	
	62660-012	B,E	*** LOWER COCKPIT ASSEMBLY - Aft	1	
	62277-000	C,E	*** LOWER COCKPIT ASSEMBLY - Aft	1	28-20002 to 28-24999 incl.
	62277-002	C,E	*** LOWER COCKPIT ASSEMBLY - Aft	1	28-25000 to 28-7125651 incl.
	62277-003	C,E	*** LOWER COCKPIT ASSEMBLY - Aft	1	28-7225001 to 28-7620530 incl.
	79549-907	C,E	*** LOWER COCKPIT ASSEMBLY - Aft	1	28-7625031 and up
-40	62660-006	B,F	*** SKIN ASSEMBLY - Bottom center	1	
	62660-006	C	*** SKIN ASSEMBLY - Bottom center	1	28-20002 to 28-20909 incl.
	62660-013	C	*** SKIN ASSEMBLY - Rear bottom center	1	28-20910 to 28-7625030 incl.
	79549-963	C	*** SKIN ASSEMBLY - Rear bottom center	1	28-7625031 and up
-40a	79581-900	C	*** SKIN - Rear bottom center	1	28-7625031 and up
-41	79580-000	G	*** SKIN - Rear left, bottom	1	
	79580-900	C	*** SKIN - Rear left, bottom	1	28-7625031 and up
	79580-001	G	*** SKIN - Rear right, bottom	1	
	79580-901	C	*** SKIN - Rear right, bottom	1	28-7625031 and up
-42	65384-000	C,D	STEP ASSEMBLY	1	
-43	65431-000		* STRIP - Safety	1	
-44	79427-002		COVER - ADF antenna closeout	1	

A - Used on PA-28-140 with serial numbers 28-20002 and up, PA-28-150, PA-28-160 and PA-28-180 with serial numbers 28-1 to 28-4377 inclusive, and on PA-28-235 with serial numbers 28-10003 to 28-11039 inclusive.

B - Used on PA-28-235 airplanes only.

C - Used on PA-28-140 airplanes only.

D - Used on PA-28-150, PA-28-160 and PA-28-180 with serial numbers 28-1521 to 28-4377 inclusive, and PA-28-235 with serial numbers 28-10233 to 28-11039 inclusive.

E - See Figure 14 for component parts.

F - Used on PA-28-150, PA-28-160 and PA-28-180 airplanes only.

G - Used on PA-28-140 with serial numbers 28-20002 to 28-7625030 inclusive, PA-28-150, PA-28-160 and on PA-28-180 with serial numbers 28-1 to 28-4377 inclusive, and PA-28-235 with serial numbers 28-10003 to 28-11039 inclusive.

PA-28-140
PA-28-150
PA-28-160
PA-28-180
PA-28-235

When ordering, always specify Part Number, Description, and Serial Number of Aircraft

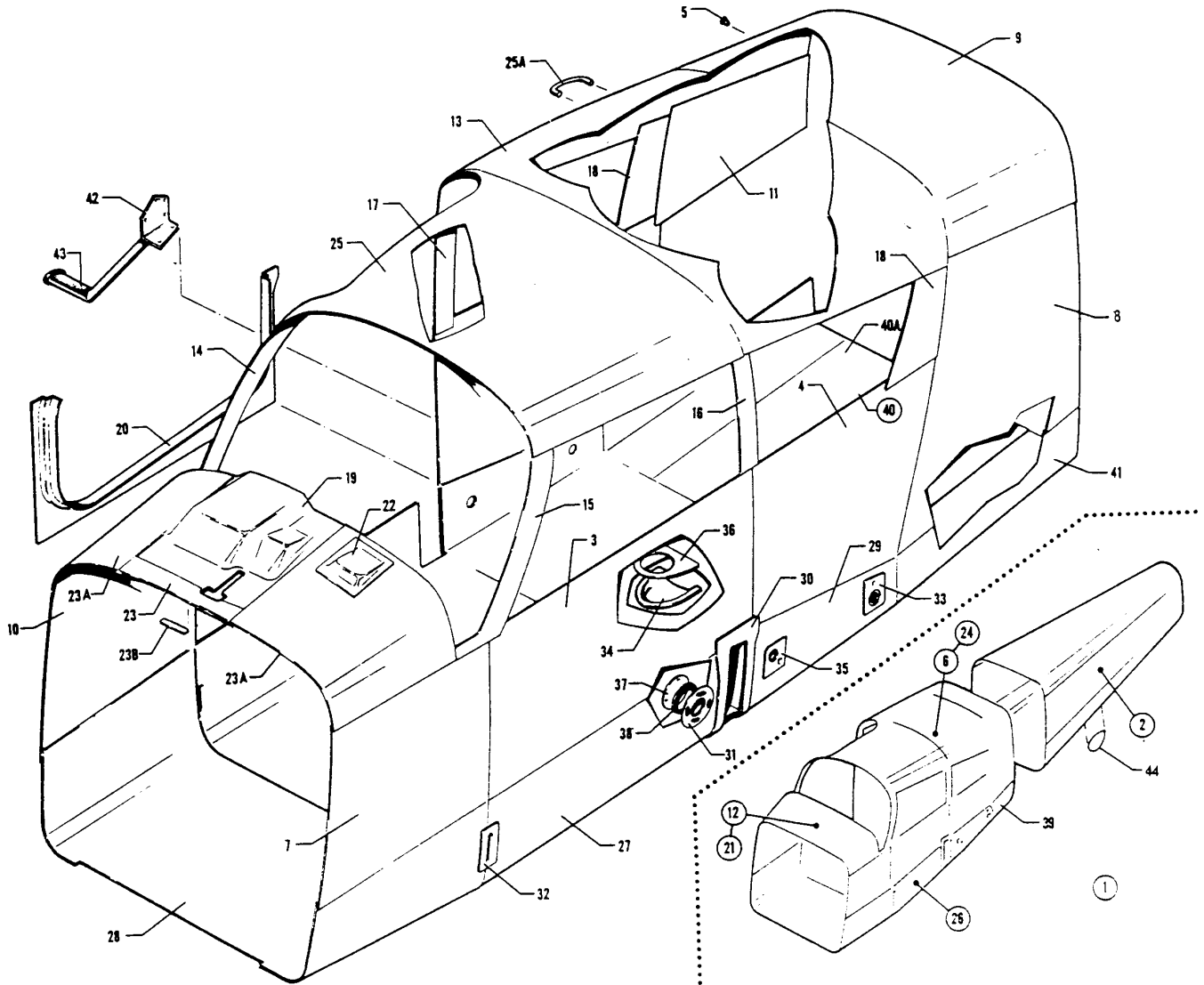


Figure 9. Complete Fuselage
 (PA-28-180 - Serial Nos. 28-4378 to 28-7505261 inclusive)
 (PA-28R-180 - Serial Nos. 28R-30005 to 28R-30481 inclusive, 28R-30483 to 28R-7130019 inclusive)
 (PA-28-235 - Serial Nos. 28-11040 and up)
 (PA-28R-200 - Serial Nos. 28R-30482, 28R-35001 and up)

PA-28-180
 PA-28-235
 PA-28R-180
 PA-28R-200

THIS PAGE INTENTIONALLY LEFT BLANK

PIPER PARTS CATALOG

Figure and Index Number	Part Number	Code	NOMENCLATURE	No. Req.	SERIAL NUMBERS AFFECTED	
9 -1	65830-004	C	FUSELAGE ASSEMBLY	1	28-11040 to 28-11300 incl.	
	65830-008	C	FUSELAGE ASSEMBLY	1	28-11301 to 28-11393 inclusive	
	65830-012	C	FUSELAGE ASSEMBLY	1	28-7110001 to 28-7110042 incl.	
	65830-016	C	FUSELAGE ASSEMBLY	1	28-7210001 to 28-7210033 incl.	
	76211-003	C	FUSELAGE ASSEMBLY	1	28-7310001 to 28-7310187 incl.	
	76254-003	C	FUSELAGE ASSEMBLY	1	28-7410001 to 28-7410072 incl. 28-7410074 to 28-7410120 incl.	
	76254-010	C	FUSELAGE ASSEMBLY	1	28-7410073, 28-7510001 to 28-7610020 inclusive	
	76471-000	C	FUSELAGE ASSEMBLY	1	28-7610021 and up	
	-2	99466-005	J,K	AFT SECTION - Fuselage	1	
		99466-014	B,H,J	AFT SECTION - Fuselage	1	28-5653, 28-7205092 to 28-7305611 inclusive
99466-016		F,H,J	AFT SECTION - Fuselage	1	28R-7235001 to 28R-7335455 incl.	
99466-010		E,J	AFT SECTION - Fuselage	1		
99466-015		D,H,J	AFT SECTION - Fuselage	1	28-7405001 and up	
-3	99466-017	F,H,J	AFT SECTION - Fuselage	1	28R-7435001 and up	
	79577-000	G	SKIN - Cockpit, top rear	1		
-4	79577-900	D	SKIN - Cockpit, top rear	1		
	487-674		STUD - Fastener (XX-16362 x 3/8)	1		

A - Used on PA-28-180 with serial numbers 28-4378 to 28-7505261 inclusive, PA-28-235 with serial numbers 28-11040 and up, PA-28R-180 and PA-28R-200 airplanes only.
 B - Used on PA-28-180 airplanes only.
 C - Used on PA-28-235 airplanes only.
 D - Used on PA-28-235 with serial numbers 28-7610021 and up, and PA-28R-200 with serial numbers 28R-7635018 and up.
 E - Used on PA-28-180 with serial numbers 28-7405001 to 28-7505261 inclusive, PA-28-235 with serial numbers 28-7410001 and up, PA-28R-200 with serial numbers 28R-7435001 and up.
 F - Used on PA-28R-200 airplanes only.
 G - Used on PA-28-180 with serial numbers 28-4378 to 28-7505261 inclusive, PA-28-235 with serial numbers 28-11040 to 28-7610020 inclusive, PA-28R-180, and PA-28R-200 with serial numbers 28R-30482, 28R-35001 to 28R-7635017 inclusive.
 H - Used if air conditioning is installed.
 J - See Figure 15 for component parts.
 K - Used on PA-28-180 with serial numbers 28-4378 to 28-7305611 inclusive, PA-28-235 with serial numbers 28-11040 to 28-7310187 inclusive, PA-28R-180 with serial numbers 28R-30005 to 28R-7130019 inclusive, and PA-28R-200 with serial numbers 28R-30482, and 28R-35001 to 28R-7335455 inclusive.

When ordering, always specify Part Number, Description, and Serial Number of Aircraft

PA-28-180
PA-28-235
PA-28R-180
PA-28R-200

PIPER PARTS CATALOG

Figure and Index Number	Part Number	Code	NOMENCLATURE	No. Req.	SERIAL NUMBERS AFFECTED	
9 -5	67250-002	G	COCKPIT ASSEMBLY - Fuselage	1		
	67250-008	B	COCKPIT ASSEMBLY - Fuselage	1		
	67250-010	E	COCKPIT ASSEMBLY - Fuselage	1		
	67250-012	F	COCKPIT ASSEMBLY - Fuselage	1		
	76111-002	C	COCKPIT ASSEMBLY - Fuselage	1	28R-7235001 to 28R-7235330 incl.	
	76111-005	C	COCKPIT ASSEMBLY - Fuselage	1	28R-7335001 to 28R-7335455 incl.	
	76359-002	C	COCKPIT ASSEMBLY - Fuselage	1	28R-7435001 to 28R-7435232 incl. 28R-7435234 to 28R-7435331 incl.	
	76359-004	C	COCKPIT ASSEMBLY - Fuselage	1	28R-7435233, 28R-7535001 to 28R-7635017 inclusive	
	67930-903	C	COCKPIT ASSEMBLY - Fuselage	1	28R-7635018 and up	
	65830-002	H	COCKPIT ASSEMBLY - Fuselage	1	28-4378 to 28-4877 inclusive	
	65830-007	H	COCKPIT ASSEMBLY - Fuselage	1	28-4878 to 28-5600 inclusive	
	65830-011	H	COCKPIT ASSEMBLY - Fuselage	1	28-5601 to 28-5869 inclusive	
	65830-015	H	COCKPIT ASSEMBLY - Fuselage	1	28-7105001 to 28-7105244 incl.	
	65830-019	H	COCKPIT ASSEMBLY - Fuselage	1	28-7205001 to 28-7205328 incl.	
	76211-002	H	COCKPIT ASSEMBLY - Fuselage	1	28-7305001 to 28-7305611 incl.	
	76254-002	H	COCKPIT ASSEMBLY - Fuselage	1	28-7405001 to 28-7405158 incl. 28-7405160 to 28-7405290 incl.	
	76254-007	H	COCKPIT ASSEMBLY - Fuselage	1	28-7405159, 28-7505001 and up	
	65830-005	D	COCKPIT ASSEMBLY - Fuselage	1	28-11040 to 28-11300 inclusive	
	65830-009	D	COCKPIT ASSEMBLY - Fuselage	1	28-11301 to 28-11393 inclusive	
	65830-013	D	COCKPIT ASSEMBLY - Fuselage	1	28-7110001 to 28-7110042 incl.	
	65830-017	D	COCKPIT ASSEMBLY - Fuselage	1	28-7210001 to 28-7210033 incl.	
	76211-004	D	COCKPIT ASSEMBLY - Fuselage	1	28-7310001 to 28-7310187 incl.	
	76254-004	D	COCKPIT ASSEMBLY - Fuselage	1	28-7410001 to 28-7410072 incl. 28-7410074 to 28-7410120 incl.	
	76254-009	D	COCKPIT ASSEMBLY - Fuselage	1	28-7410073, 28-7510001 to 28-7610020 inclusive	
	76471-903	D	COCKPIT ASSEMBLY - Fuselage	1	28-7610021 and up	
				A - Used on PA-28-180 with serial numbers 28-4378 to 28-7505261 inclusive, PA-28-235 with serial numbers 28-11040 and up, PA-28R-180 and PA-28R-200 airplanes only.		
				B - Used on PA-28R-180 with serial numbers 28R-30679 to 28R-31250 inclusive, and PA-28R-200 with serial numbers 28R-30482, 28R-35001 to 28R-35600 inclusive.		
				C - Used on PA-28R-200 airplanes only.		
				D - Used on PA-28-235 airplanes only.		
				E - Used on PA-28R-180 with serial numbers 28R-31251 to 28R-31279 inclusive, and PA-28R-200 with serial numbers 28R-35601 to 28R-35830 inclusive.		
				F - Used on PA-28R-180 with serial numbers 28R-7130001 to 28R-7130019 inclusive, and PA-28R-200 with serial numbers 28R-7135001 to 28R-7135238 inclusive.		
				G - Used on PA-28R-180 with serial numbers 28R-30005 to 28R-30481 inclusive, 28R-30483 to 28R-30678 inclusive.		
			H - Used on PA-28-180 airplanes only.			

When ordering, always specify Part Number, Description, and Serial Number of Aircraft

PIPER PARTS CATALOG

Figure and Index Number	Part Number	Code	NOMENCLATURE	No. Req.	SERIAL NUMBERS AFFECTED
9 -6	76476-000	L	SKIN - Cockpit, left side	1	28R-30005 to 28R-30481 incl. 28R-30483 to 28R-7130019 incl.
	76476-900	E	SKIN - Cockpit, left side	1	
-7	65830-003	H	SKIN - Cockpit, left side	1	
	76474-002	K	SKIN - Cockpit, left side	1	
	76474-000	J	SKIN - Cockpit, left side	1	
	76474-900	E	SKIN - Cockpit, left side	1	
-8	76476-001	D	SKIN - Cockpit, right side	1	
	76476-901	E	SKIN - Cockpit, right side	1	
-9	67251-000	G	UPPER COCKPIT ASSEMBLY - Fuselage	1	28R-7235001 to 28R-7235330 incl. 28R-7335001 to 28R-7335455 incl.
	67251-012	B	UPPER COCKPIT ASSEMBLY - Fuselage	1	
	67251-014	F	UPPER COCKPIT ASSEMBLY - Fuselage	1	
	99390-002	C	UPPER COCKPIT ASSEMBLY - Fuselage	1	
	76130-000	M	UPPER COCKPIT ASSEMBLY - Fuselage	1	
	76130-010	M	UPPER COCKPIT ASSEMBLY - Fuselage	1	
			A - Used on PA-28-180 with serial numbers 28-4378 to 28-7505261 inclusive, PA-28-235 with serial numbers 28-11040 and up, PA-28R-180 and PA-28R-200 airplanes only.		
			B - Used on PA-28R-180 with serial numbers 28R-30679 to 28R-31250 inclusive, and PA-28R-200 with serial numbers 28R-30482, 28R-35001 to 28R-35600 inclusive.		
			C - Used on PA-28R-180 with serial numbers 28R-7130001 to 28R-7130019 inclusive, and PA-28R-200 with serial numbers 28R-7135001 to 28R-7135238 inclusive.		
			D - Used on PA-28-180 with serial numbers 28-4378 to 28-7505261 inclusive, PA-28-235 with serial numbers 28-11040 to 28-7610020 inclusive, PA-28R-180, and PA-28R-200 with serial numbers 28R-30482, 28R-35001 to 28R-7635017 inclusive.		
			E - Used on PA-28-235 with serial numbers 28-7610021 and up, and PA-28R-200 with serial numbers 28R-7635018 and up.		
			F - Used on PA-28R-180 with serial numbers 28R-31251 to 28R-31279 inclusive, and PA-28R-200 with serial numbers 28R-35601 to 28R-35830 inclusive.		
			G - Used on PA-28R-180 with serial numbers 28R-30005 to 28R-30481 inclusive, 28R-30483 to 28R-30678 inclusive.		
			H - Used on PA-28-180 with serial numbers 28-4378 to 28-7505261 inclusive, and PA-28-235 with serial numbers 28-11040 to 28-7610020 inclusive.		
			J - Used on PA-28-180 with serial numbers 28-7305001 to 28-7505261 inclusive, PA-28-235 with serial numbers 28-7310001 to 28-7610020 inclusive, and PA-28R-200 with serial numbers 28R-7235001 to 28R-7635017 inclusive.		
			K - Used on PA-28-180 with serial numbers 28-4378 to 28-7205328 inclusive, PA-28-235 with serial numbers 28-11040 to 28-7210033 inclusive, PA-28R-180 with serial numbers 28R-30005 to 28R-7130019 inclusive, and PA-28R-200 with serial numbers 28R-30482, and 28R-35001 to 28R-7135238 inclusive.		
			L - Used on PA-28R-180 airplanes only.		
			M - Used on PA-28R-200 airplanes only.		

When ordering, always specify Part Number, Description, and Serial Number of Aircraft

PA-28-180
PA-28-235
PA-28R-180
PA-28R-200

PIPER PARTS CATALOG

Figure and Index Number	Part Number	Code	NOMENCLATURE	No. Req.	SERIAL NUMBERS AFFECTED
9 -9	76360-000	G	UPPER COCKPIT ASSEMBLY - Fuselage	1	28R-7435001 to 28R-7435232 incl.
	76360-004	G	UPPER COCKPIT ASSEMBLY - Fuselage	1	28R-7435234 to 28R-7435331 incl.
	67930-908	G	UPPER COCKPIT ASSEMBLY - Fuselage	1	28R-7435233, 28R-7535001 to 28R-7635017 inclusive
	67251-009	B	UPPER COCKPIT ASSEMBLY - Fuselage	1	28R-7635018 and up
	67251-013	B	UPPER COCKPIT ASSEMBLY - Fuselage	1	28-4378 to 28-4877 inclusive
	67251-015	B	UPPER COCKPIT ASSEMBLY - Fuselage	1	28-4878 to 28-5600 inclusive
	99390-000	B	UPPER COCKPIT ASSEMBLY - Fuselage	1	28-5601 to 28-5869 inclusive
	99390-006	B	UPPER COCKPIT ASSEMBLY - Fuselage	1	28-7105001 to 28-7105244 incl.
	76213-000	B	UPPER COCKPIT ASSEMBLY - Fuselage	1	28-7205001 to 28-7205328 incl.
	76299-000	B	UPPER COCKPIT ASSEMBLY - Fuselage	1	28-7305001 to 28-7305611 incl.
	76299-008	B	UPPER COCKPIT ASSEMBLY - Fuselage	1	28-7405001 to 28-7405158 incl.
	69251-000	E	UPPER COCKPIT ASSEMBLY - Fuselage	1	28-7405160 to 28-7405290 incl.
	69251-003	E	UPPER COCKPIT ASSEMBLY - Fuselage	1	28-7405159, 28-7505001 and up
	99389-000	E	UPPER COCKPIT ASSEMBLY - Fuselage	1	28-11040 to 28-11300 inclusive
	99389-003	E	UPPER COCKPIT ASSEMBLY - Fuselage	1	28-11301 to 28-11393 inclusive
	76213-003	E	UPPER COCKPIT ASSEMBLY - Fuselage	1	28-7110001 to 28-7110042 incl.
	76299-003	E	UPPER COCKPIT ASSEMBLY - Fuselage	1	28-7110001 to 28-7110042 incl.
	76299-010	E	UPPER COCKPIT ASSEMBLY - Fuselage	1	28-7210001 to 28-7210033 incl.
	76471-908	E	UPPER COCKPIT ASSEMBLY - Fuselage	1	28-7310001 to 28-7310187 incl.
	76470-908	F	UPPER COCKPIT ASSEMBLY - Fuselage	1	28-7410001 to 28-7410072 incl.
-10	79573-002	H	* SKIN - Upper cockpit, top center	1	28-7410074 to 28-7410120 incl.
	79573-901	F	* SKIN - Upper cockpit, top center	1	28-7410073, 28-7510001 to 28-7610020 inclusive
-11	62420-022	C	* SKIN - Windshield trim, left side	1	28-7610021 and up
	76255-000	D	* SKIN - Windshield trim, left side	1	

- A - Used on PA-28-180 with serial numbers 28-4378 to 28-7505261 inclusive, PA-28-235 with serial numbers 28-11040 and up, PA-28R-180 and PA-28R-200 airplanes only.
- B - Used on PA-28-180 airplanes only.
- C - Used on PA-28-180 with serial numbers 28-4378 to 28-7305611 inclusive, PA-28-235 with serial numbers 28-11040 to 28-7310187 inclusive, PA-28R-180 with serial numbers 28R-30005 to 28R-7130019 inclusive, and PA-28R-200 with serial numbers 28R-30482, 28R-35001 to 28R-7335455 inclusive.
- D - Used on PA-28-180 with serial numbers 28-7405001 to 28-7505261 inclusive, PA-28-235 with serial numbers 28-7410001 and up, PA-28R-200 with serial numbers 28R-7435001 and up.
- E - Used on PA-28-235 airplanes only.
- F - Used on PA-28-235 with serial numbers 28-7610021 and up, and PA-28R-200 with serial numbers 28R-7635018 and up.
- G - Used on PA-28R-200 airplanes only.
- H - Used on PA-28-180 with serial numbers 28-4378 to 28-7505261 inclusive, PA-28-235 with serial numbers 28-11040 to 28-7610020 inclusive, PA-28R-180, and PA-28R-200 with serial numbers 28R-30482, and 28R-35001 to 28R-7635017 inclusive.

When ordering, always specify Part Number, Description, and Serial Number of Aircraft

PIPER PARTS CATALOG

Figure and Index Number	Part Number	Code	NOMENCLATURE	No. Req.	SERIAL NUMBERS AFFECTED
9 -12	67263-000	L	SKIN ASSEMBLY - Window trim, left side	1	
	76297-000	D	SKIN ASSEMBLY - Window trim, left side	1	
	67263-001	L	SKIN ASSEMBLY - Window trim, right side	1	
	76297-001	D	SKIN ASSEMBLY - Window trim, right side	1	
-13	62493-000	H	PAN - Door trim, right side	1	
	76467-002	E	PAN - Door trim, right side	1	
-14	67251-002	B,G	UPPER COCKPIT ASSEMBLY - Forward	1	
	67251-010	B,J	UPPER COCKPIT ASSEMBLY - Forward	1	
	67251-016	B,F	UPPER COCKPIT ASSEMBLY - Forward	1	
	99390-004	B,C	UPPER COCKPIT ASSEMBLY - Forward	1	
	76130-002	B,K	UPPER COCKPIT ASSEMBLY - Forward	1	28R-7235001 to 28R-7235612 incl.
	76130-011	B,K	UPPER COCKPIT ASSEMBLY - Forward	1	28R-7335001 to 28R-7335455 incl.
	76360-002	B,K	UPPER COCKPIT ASSEMBLY - Forward	1	28R-7435001 to 28R-7435232 incl. 28R-7435234 to 28R-7435331 incl.
	76360-003	B,K	UPPER COCKPIT ASSEMBLY - Forward	1	28R-7435233, 28R-7535001 to 28R-7635017 inclusive
	67930-909	B,K	UPPER COCKPIT ASSEMBLY - Forward	1	28R-7635018 and up
	67251-008	M,N	UPPER COCKPIT ASSEMBLY - Forward	1	28-4378 to 28-4877 inclusive
	67251-011	M,N	UPPER COCKPIT ASSEMBLY - Forward	1	28-4878 to 28-5600 inclusive
			A - Used on PA-28-180 with serial numbers 28-4378 to 28-7505261 inclusive, PA-28-235 with serial numbers 28-11040 and up, PA-28R-180 and PA-28R-200 airplanes only.		
			B - See Figure 11 for component parts.		
			C - Used on PA-28R-180 with serial numbers 28R-7130001 to 28R-7130019 inclusive, and PA-28R-200 with serial numbers 28R-7135001 to 28R-7135238 inclusive.		
			D - Used on PA-28-180 with serial numbers 28-7405001 to 28-7505261 inclusive, PA-28-235 with serial numbers 28-7410001 and up, PA-28R-200 with serial numbers 28R-7435001 and up.		
			E - Used on PA-28-235 with serial numbers 28-7610021 and up, and PA-28R-200 with serial numbers 28R-7635018 and up.		
			F - Used on PA-28R-180 with serial numbers 28R-31251 to 28R-31279 inclusive, and PA-28R-200 with serial numbers 28R-35601 to 28R-35830 inclusive.		
			G - Used on PA-28R-180 with serial numbers 28R-30005 to 28R-30481 inclusive, 28R-30483 to 28R-30678 inclusive.		
			H - Used on PA-28-180 with serial numbers 28-4378 to 28-7505261 inclusive, PA-28-235 with serial numbers 28-11040 to 28-7610020 inclusive, PA-28R-180, PA-28R-200 with serial numbers 28R-30482, 28R-35001 to 28R-7635017 inclusive.		
			J - Used on PA-28R-180 with serial numbers 28R-30678 to 28R-31250 inclusive, and PA-28R-200 with serial numbers 28R-30482, 28R-35001 to 28R-35600 inclusive.		
			K - Used on PA-28R-200 airplanes only.		
			L - Used on PA-28-180 with serial numbers 28-4378 to 28-7305611 inclusive, PA-28-235 with serial numbers 28-11040 to 28-7310187 inclusive, PA-28R-180 with serial numbers 28R-30005 to 28R-7130019 inclusive, and PA-28R-200 with serial numbers 28R-30482, and 28R-35001 to 28R-7335455 inclusive.		
			M - Used on PA-28-180 airplanes only.		
			N - See Figure 10 for component parts.		

When ordering, always specify Part Number, Description, and Serial Number of Aircraft

PA-28-180
PA-28-235
PA-28R-180
PA-28R-200

PIPER PARTS CATALOG

Figure and Index Number	Part Number	Code	NOMENCLATURE	No. Req.	SERIAL NUMBERS AFFECTED
9 -14	67251-017	H,J	UPPER COCKPIT ASSEMBLY - Forward	1	28-5601 to 28-5869 inclusive
	99390-003	H,J	UPPER COCKPIT ASSEMBLY - Forward	1	28-7105001 to 28-7205328 incl.
	76213-002	H,J	UPPER COCKPIT ASSEMBLY - Forward	1	28-7305001 to 28-7305611 incl.
	76299-002	H,J	UPPER COCKPIT ASSEMBLY - Forward	1	28-7405001 to 28-7405158 incl. 28-7405160 to 28-7405290 incl.
	76299-007	H,J	UPPER COCKPIT ASSEMBLY - Forward	1	28-7405159, 28-7505001 to 28-7505261 inclusive
	69251-002	J,K	UPPER COCKPIT ASSEMBLY - Forward	1	28-11040 to 28-11300 incl.
	69251-004	J,K	UPPER COCKPIT ASSEMBLY - Forward	1	28-11301 to 28-11393 incl.
	99389-002	J,K	UPPER COCKPIT ASSEMBLY - Forward	1	28-7110001 to 28-7210033 incl.
	76213-004	J,K	UPPER COCKPIT ASSEMBLY - Forward	1	28-7310001 to 28-7310187 incl.
	76299-004	J,K	UPPER COCKPIT ASSEMBLY - Forward	1	28-7410001 to 28-7410072 incl.
	76299-009	J,K	UPPER COCKPIT ASSEMBLY - Forward	1	28-7410073, 28-7510001 to 28-7610020 inclusive
	76471-909	J,K	UPPER COCKPIT ASSEMBLY - Forward	1	28-7610021 and up
	76470-909	J	UPPER COCKPIT ASSEMBLY - Forward	1	
	-15	67251-004	B	* SKIN - Forward upper cockpit, top	1
99390-005		D,E	* SKIN - Forward upper cockpit, top	1	
99390-007		F	* SKIN - Forward upper cockpit, top	1	
79569-000		C	* SKIN - Forward upper cockpit, top	1	
79569-901		G	* SKIN - Forward upper cockpit, top	1	
<p>A - Used on PA-28-180 with serial numbers 28-4378 to 28-7505261 inclusive, PA-28-235 with serial numbers 28-11040 and up, PA-28R-180 and PA-28R-200 airplanes only.</p> <p>B - Used on PA-28-180 with serial numbers 28-4378 to 28-5869 inclusive, and PA-28R-180 with serial numbers 28R-30005 to 28R-30481 inclusive, 28R-30483 to 28R-31279 inclusive, and PA-28R-200 with serial numbers 28R-30482, 28R-35001 to 28R-35830 inclusive, and PA-28-235 with serial numbers 28-11040 to 28-11393 inclusive.</p> <p>C - Used on PA-28-180 with serial numbers 28-7405159, 28-7505001 to 28-7505261 inclusive, PA-28-235 with serial numbers 28-7410073, 28-7510001 to 28-7610020 inclusive; PA-28R-200 with serial numbers 28R-7435233, 28R-7535001 to 28R-7635017 inclusive.</p> <p>D - Used on PA-28R-180 with serial numbers 28R-7310001 to 28R-7130019 inclusive, and PA-28R-200 with serial numbers 28R-7135001 to 28R-7235330 inclusive.</p> <p>E - Used on PA-28-180 with serial numbers 28-7105001 to 28-7205328 inclusive, and PA-28-235 with serial numbers 28-7110001 to 28-7210033 inclusive.</p> <p>F - Used on PA-28-180 with serial numbers 28-7305001 to 28-7405158 inclusive, 28-7405160 to 28-7405290 inclusive, PA-28-235 with serial numbers 28-7310001 to 28-7410072 inclusive, 28-7410074 to 28-7410120 inclusive; PA-28R-200 with serial numbers 28R-7335001 to 28R-7435232 inclusive, 28R-7435234 to 28R-7435331 inclusive.</p> <p>G - Used on PA-28-235 with serial numbers 28-7610021 and up, and PA-28R-200 with serial numbers 28R-7635018 and up.</p> <p>H - Used on PA-28-180 airplanes only.</p> <p>J - See Figure 10 for component parts.</p> <p>K - Used on PA-28-235 airplanes only.</p>					

When ordering, always specify Part Number, Description, and Serial Number of Aircraft

PIPER PARTS CATALOG

Figure and Index Number	Part Number	Code	NOMENCLATURE	No. Req.	SERIAL NUMBERS AFFECTED
9 -16	62507-000		FILLER - Forward upper cockpit, top	1	
-17	68817-050		DOUBLER - Forward upper cockpit, top	1	
-18	65611-007	C	* SKIN - Cockpit, left front	1	
	79563-905	J	* SKIN - Cockpit, left front	1	
	65611-006	C	* SKIN - Cockpit, right front	1	
	79563-901	J	* SKIN - Cockpit, right front	1	
-19	62873-002	G,H	UPPER COCKPIT ASSEMBLY - Center	1	
	62873-008	F,G	UPPER COCKPIT ASSEMBLY - Center	1	
	76130-004	B,G	UPPER COCKPIT ASSEMBLY - Center	1	
	76130-015	D,G	UPPER COCKPIT ASSEMBLY - Center	1	
	67930-910	G,K	UPPER COCKPIT ASSEMBLY - Center	1	
	65563-007	E,G	UPPER COCKPIT ASSEMBLY - Center	1	28-11040 to 28-11300 incl.
	65563-008	E,G	UPPER COCKPIT ASSEMBLY - Center	1	28-11301 to 28-7210033 incl.
	76471-910	E,G	UPPER COCKPIT ASSEMBLY - Center	1	28-7610021 and up
	76470-910	G,J	UPPER COCKPIT ASSEMBLY - Center	1	
			A - Used on PA-28-180 with serial numbers 28-4378 to 28-7505261 inclusive, PA-28-235 with serial numbers 28-11040 and up, PA-28R-180 and PA-28R-200 airplanes only.		
			8 - Used on PA-28-180 with serial numbers 28-7305001 to 28-7305611 inclusive, PA-28-235 with serial numbers 28-7310001 to 28-7310187 inclusive, and PA-28R-200 with serial numbers 28R-7235001 to 28R-7335455 inclusive.		
			C - Used on PA-28-180 with serial numbers 28-4378 to 28-7505261 inclusive, PA-28-235 with serial numbers 28-11040 to 28-7610020 inclusive, PA-28R-180, and PA-28R-200 with serial numbers 28R-30482, 28R-35001 to 28R-7635017 inclusive.		
			D - Used on PA-28-180 with serial numbers 28-7405001 to 28-7505261 inclusive, PA-28-235 with serial numbers 28-7410001 to 28-7610020 inclusive, and PA-28R-200 with serial numbers 28R-7435001 to 28R-7635017 inclusive.		
			E - Used on PA-28-235 airplanes only.		
			F - Used on PA-28-180 with serial numbers 28-5601 to 28-7205328 inclusive, PA-28R-180 with serial numbers 28R-31251 to 28R-7130019 inclusive, and PA-28R-200 with serial numbers 28R-35601 to 28R-7135238 inclusive.		
			G - See Figure 12 for component parts.		
			H - Used on PA-28-180 with serial numbers 28-4378 to 28-5600 inclusive, and PA-28R-180 with serial numbers 28R-30005 to 28R-30481 inclusive, and 28R-30483 to 28R-31250 inclusive, and PA-28R-200 with serial numbers 28R-30482, 28R-35001 to 28R-35600 inclusive.		
			J - Used on PA-28-235 with serial numbers 28-7610021 and up, and PA-28R-200 with serial numbers 28R-7635018 and up.		
			K - Used on PA-28R-200 airplanes only.		

When ordering, always specify Part Number, Description, and Serial Number of Aircraft

PA-28-180
PA-28-235
PA-28R-180
PA-28R-200

PIPER PARTS CATALOG

Figure and Index Number	Part Number	Code	NOMENCLATURE	No. Req.	SERIAL NUMBERS AFFECTED
9 -20 -21 -22	79576-000		* SKIN - Upper cockpit, top front	1	
	79576-002	C	* SKIN - Upper cockpit, top front	1	
	79576-901	D	* SKIN - Upper cockpit, top front	1	
	62420-011	E	* SKIN - Windshield trim, right side	1	
	79561-003	D	* SKIN - Windshield trim, right side	1	
	62490-000	F	* SKIN - Window trim, left side	1	
	76256-000	B	* SKIN - Window trim, left side	1	
	62491-000	F	* SKIN - Window trim, right side	1	
	76257-000	B	* SKIN - Window trim, right side	1	
				<p>A - Used on PA-28-180 with serial numbers 28-4378 to 28-7505261 inclusive, PA-28-235 with serial numbers 28-11040 and up, PA-28R-180 and PA-28R-200 airplanes only.</p> <p>B - Used on PA-28-180 with serial numbers 28-7405001 to 28-7505261 inclusive, PA-28-235 with serial numbers 28-7410001 and up, PA-28R-200 with serial numbers 28R-7435001 and up.</p> <p>C - Used on PA-28-180 with serial numbers 28-7305001 to 28-7505261 inclusive, PA-28-235 with serial numbers 28-7310001 to 28-7610020 inclusive, and PA-28R-200 with serial numbers 28R-7235001 to 28R-7635017 inclusive.</p> <p>D - Used on PA-28-235 with serial numbers 28-7610021 and up, PA-28R-200 with serial numbers 28R-7635018 and up.</p> <p>E - Used on PA-28-180 with serial numbers 28-4378 to 28-7505261 inclusive, PA-28-235 with serial numbers 28-11040 to 28-7610020 inclusive, PA-28R-180 PA-28R-200 with serial numbers 28R-30482, 28R-35001 to 28R-7635017 inclusive.</p> <p>F - Used on PA-28-180 with serial numbers 28-4378 to 28-7305611 inclusive, PA-28-235 with serial numbers 28-11040 to 28-7310187 inclusive, PA-28R-180 with serial numbers 28R-30005 to 28R-7130019 inclusive, and PA-28R-200 with serial numbers 28R-30482, 28R-35001 to 28R-7335455 inclusive.</p> <p>G - Used on PA-28-180 with serial numbers 28-4378 to 28-7205328 inclusive, PA-28-235 with serial numbers 28-11040 to 28-7210033 inclusive, PA-28R-180 with serial numbers 28R-30005 to 28R-7130019 inclusive, and PA-28R-200 with serial numbers 28R-30482, and 23R-35001 to 28R-7135238 inclusive.</p>	

When ordering, always specify Part Number, Description, and Serial Number of Aircraft

PIPER PARTS CATALOG

Figure and Index Number	Part Number	Code	NOMENCLATURE	No. Req.	SERIAL NUMBERS AFFECTED	
9 -23	67252-000	G,K	LOWER COCKPIT ASSEMBLY - Fuselage	1		
	67252-005	G,J	LOWER COCKPIT ASSEMBLY - Fuselage	1		
	76112-000	G,H	LOWER COCKPIT ASSEMBLY - Fuselage	1	28R-7235001 to 28R-7335455 incl.	
	76112-007	G,H	LOWER COCKPIT ASSEMBLY - Fuselage	1	28R-7435001 to 28R-7635017 incl.	
	67930-905	G,H	LOWER COCKPIT ASSEMBLY - Fuselage	1	28R-7635018 and up	
	65600-002	D,G	LOWER COCKPIT ASSEMBLY - Fuselage	1	28-4378 to 28-5869 inclusive	
	65600-003	D,G	LOWER COCKPIT ASSEMBLY - Fuselage	1	28-7105001 to 28-7105244 incl.	
	65600-004	D,G	LOWER COCKPIT ASSEMBLY - Fuselage	1	28-7205001 to 28-7205328 incl.	
	76212-000	D,G	LOWER COCKPIT ASSEMBLY - Fuselage	1	28-7305001 to 28-7305611 incl.	
	76212-003	D,G	LOWER COCKPIT ASSEMBLY - Fuselage	1	28-7405001 to 28-7505261 incl.	
	65534-000	E,G	LOWER COCKPIT ASSEMBLY - Fuselage	1	28-11040 to 28-11393 inclusive	
	65534-005	E,G	LOWER COCKPIT ASSEMBLY - Fuselage	1	28-7110001 to 28-7110042 incl.	
	65534-006	E,G	LOWER COCKPIT ASSEMBLY - Fuselage	1	28-7210001 to 28-7210033 incl.	
	76312-000	E,G	LOWER COCKPIT ASSEMBLY - Fuselage	1	28-7310001 to 28-7310187 incl.	
	76312-002	E,G	LOWER COCKPIT ASSEMBLY - Fuselage	1	28-7410001 to 28-7610020 incl.	
	76471-905	E,G	LOWER COCKPIT ASSEMBLY - Fuselage	1	28-7610021 and up	
	76470-905	G	LOWER COCKPIT ASSEMBLY - Fuselage	1		
	-24	67252-002	F	SKIN - Lower cockpit, front	1	
		79582-003	H	SKIN - Lower cockpit, front	1	28R-7235001 to 28R-7635017 incl.
		79582-901	H	SKIN - Lower cockpit, front	1	28R-7635018 and up
		65467-002	D	SKIN - Lower cockpit, front	1	28-4378 to 28-7205328 incl.
		65534-004	E	SKIN - Lower cockpit, front	1	28-11040 to 28-7210033 incl.
		79582-002	B	SKIN - Lower cockpit, front	1	
79582-902		C	SKIN - Lower cockpit, front	1		
<p>A - Used on PA-28-180 with serial numbers 28-4378 to 28-7505261 inclusive, PA-28-235 with serial numbers 28-11040 and up, PA-28R-180 and PA-28R-200 airplanes only.</p> <p>B - Used on PA-28-180 with serial numbers 28-7305001 to 28-7505261 inclusive, and PA-28-235 with serial numbers 28-7310001 to 28-7610020 inclusive.</p> <p>C - Used on PA-28-235 with serial numbers 28-7610021 and up.</p> <p>D - Used on PA-28-180 airplanes only.</p> <p>E - Used on PA-28-235 airplanes only.</p> <p>F - Used on PA-28R-180 with serial numbers 28R-30005 to 28R-7130019 inclusive, and PA-28R-200 with serial numbers 28R-30482, 28R-35001 to 28R-7135238 inclusive.</p> <p>G - See Figure 13 and 14 for component parts.</p> <p>H - Used on PA-28R-200 airplanes only.</p> <p>J - Used on PA-28R-180 with serial numbers 28R-7130001 to 28R-7130019 inclusive, and PA-28R-200 with serial numbers 28R-7135001 to 28R-7135238 inclusive.</p> <p>K - Used on PA-28R-180 with serial numbers 28R-30005 to 28R-30481 inclusive, 28R-30483 to 28R-31279 inclusive, PA-28R-200 with serial numbers 28R-30482, and 28R-35001 to 28R-35830 inclusive.</p>						

When ordering, always specify Part Number, Description, and Serial Number of Aircraft

PA-28-180
PA-28-235
PA-28R-180
PA-28R-200

PIPER PARTS CATALOG

Figure and Index Number	Part Number	Code	NOMENCLATURE	No. Req.	SERIAL NUMBERS AFFECTED
9 -25	79585-000	J	*** SKIN - Lower cockpit, center front	1	
	79585-002	G	*** SKIN - Lower cockpit, center front	1	
-26	65534-003	E	*** SKIN - Lower cockpit, center front	1	28-11040 to 28-7210033 incl.
	79585-901	F	*** SKIN - Lower cockpit, center front	1	
	79578-003	C	*** SKIN - Lower cockpit, center rear	1	
	79578-903	H	*** SKIN - Lower cockpit, center rear	1	
	79578-000	D	*** SKIN - Lower cockpit, center rear	1	
	79578-002	E	*** SKIN - Lower cockpit, center rear	1	
	79578-902	E	*** SKIN - Lower cockpit, center rear	1	
	68539-000		*** DOUBLER ASSEMBLY - Lower cockpit	2	
	68540-000		*** DOUBLER ASSEMBLY - Lower cockpit, left	1	
	68540-001		*** DOUBLER ASSEMBLY - Lower cockpit, right	1	
-27	62549-000		*** DOUBLER - Lower cockpit	2	
-28	65556-000	B	*** DOUBLER - Lower cockpit air scoop	1	
-29	65556-002	H	*** DOUBLER - Lower cockpit air scoop (less 4" hole)	1	28R-7235001 and up
-30	65556-002	D	*** DOUBLER - Lower cockpit air scoop (less 4" hole)	1	

A - Used on PA-28-180 with serial numbers 28-4378 to 28-7505261 inclusive, PA-28-235 with serial numbers 28-11040 and up, PA-28R-180 and PA-28R-200 airplanes only.

B - Order P/N 65556-02 if air conditioning is installed.

C - Used on PA-28R-180 and PA-28R-200 with serial numbers 28R-30482, 28R-35001 to 28R-7635017 inclusive.

D - Used on PA-28-180 airplanes only.

E - Used on PA-28-235 airplanes only.

F - Used on PA-28-235 with serial numbers 28-7610021 and up, PA-28R-200 with serial numbers 28R-7635018 and up.

G - Used on PA-28-180 with serial numbers 28-7305001 to 28-7505261 inclusive, PA-28-235 with serial numbers 28-7310001 to 28-7610020 inclusive, and PA-28R-200 with serial numbers 28R-7235001 to 28R-7635017 inclusive.

H - Used on PA-28R-200 airplanes only.

J - Used on PA-28-180 with serial numbers 28-4378 to 28-7205328 inclusive, PA-28R-180 with serial numbers 28R-30005 to 28R-7130019 inclusive, and PA-28R-200 with serial numbers 28R-30482, and 28R-35001 to 28R-7135238 inclusive.

When ordering, always specify Part Number, Description, and Serial Number of Aircraft

PIPER PARTS CATALOG

Figure and Index Number	Part Number	Code	NOMENCLATURE	No. Req.	SERIAL NUMBERS AFFECTED
9 -31	66609-000	B	*** SCOOP - Cabin air exhaust	1	
-32	62541-000		*** DOUBLER - Lower cockpit, left	1	
	62541-001		*** DOUBLER - Lower cockpit, right	1	
-33	62660-000	C,F	*** LOWER COCKPIT ASSEMBLY - Aft	1	
	62660-000	D,F	*** LOWER COCKPIT ASSEMBLY - Aft	1	28-7105001 to 28-7105244 incl.
	62660-015	D,F	*** LOWER COCKPIT ASSEMBLY - Aft	1	28-7205001 to 28-7505261 incl.
	62660-012	E,F	*** LOWER COCKPIT ASSEMBLY - Aft	1	28-10003 to 28-7110042 incl.
	62660-016	E,F	*** LOWER COCKPIT ASSEMBLY - Aft	1	28-7210001 to 28-7610020 incl.
	76470-907	F,H	*** LOWER COCKPIT ASSEMBLY - Aft	1	
-34	79580-000	G	**** SKIN - Lower cockpit, left rear	1	
	79580-900	H	**** SKIN - Lower cockpit, left rear	1	
	79580-001	G	**** SKIN - Lower cockpit, right rear	1	
	79580-901	H	**** SKIN - Lower cockpit, right rear	1	
-35	68569-000	E	**** DOUBLER - Lower cockpit, left	1	
-36	62660-006	G	**** SKIN ASSEMBLY - Lower cockpit, center	1	
	76470-963	H	**** SKIN ASSEMBLY - Lower cockpit, center	1	
-36a	79581-900	H	**** SKIN - Lower cockpit, center	1	
-37	76475-000	G	* SKIN - Cockpit, left rear	1	
	76475-900	H	* SKIN - Cockpit, left rear	1	
-38	761-077	J	* KIT - Cabin assist handle replacement	1	
	481-772	K	* HANDLE - Upper cockpit (N12865)	1	
-39	79427-002		COVER - ADF antenna closeout	1	
-40	65384-000		STEP ASSEMBLY - Fuselage	1	
-41	65431-000		* STRIP - Safety	1	
<p>A - Used on PA-28-180 with serial numbers 28-4378 to 28-7505261 inclusive, PA-28-235 with serial numbers 28-11040 and up, PA-28R-180 and PA-28R-200 airplanes only.</p> <p>B - See Figure 32D or Figure 32E if Cabin Overhead Air Vent Installation is made.</p> <p>C - Used on PA-28R-180 and PA-28R-200 airplanes only.</p> <p>D - Used on PA-28-180 airplanes only.</p> <p>E - Used on PA-28-235 airplanes only.</p> <p>F - See Figure 14 for component parts.</p> <p>G - Used on PA-28-180 with serial numbers 28-4378 to 28-7505261 inclusive, PA-28-235 with serial numbers 28-11040 to 28-7610020 inclusive, PA-28R-180, and PA-28R-200 with serial numbers 28R-30482, 28R-35001 to 28R-7635017 inclusive.</p> <p>H - Used on PA-28-235 with serial numbers 28-7610021 and up, and PA-28R-200 with serial numbers 28R-7635018 and up.</p> <p>J - Used on PA-28-180 with serial numbers 28-4378 to 28-7505184 inclusive, PA-28-235 with serial numbers 28-11040 to 28-7510059 inclusive, PA-28R-180 with serial numbers 28R-30005 to 28R-7130019 inclusive, and PA-28R-200 with serial numbers 28R-30482, 28R-35001 to 28R-7535189 inclusive.</p> <p>K - Used on PA-28-180 with serial numbers 28-7505185 to 28-7505261 inclusive, PA-28-235 with serial numbers 28-7510060 and up, and PA-28R-200 with serial numbers 28R-7535190 and up.</p>					

When ordering, always specify Part Number, Description, and Serial Number of Aircraft

PA-28-180
PA-28-235
PA-28R-180
PA-28R-200

PIPER PARTS CATALOG

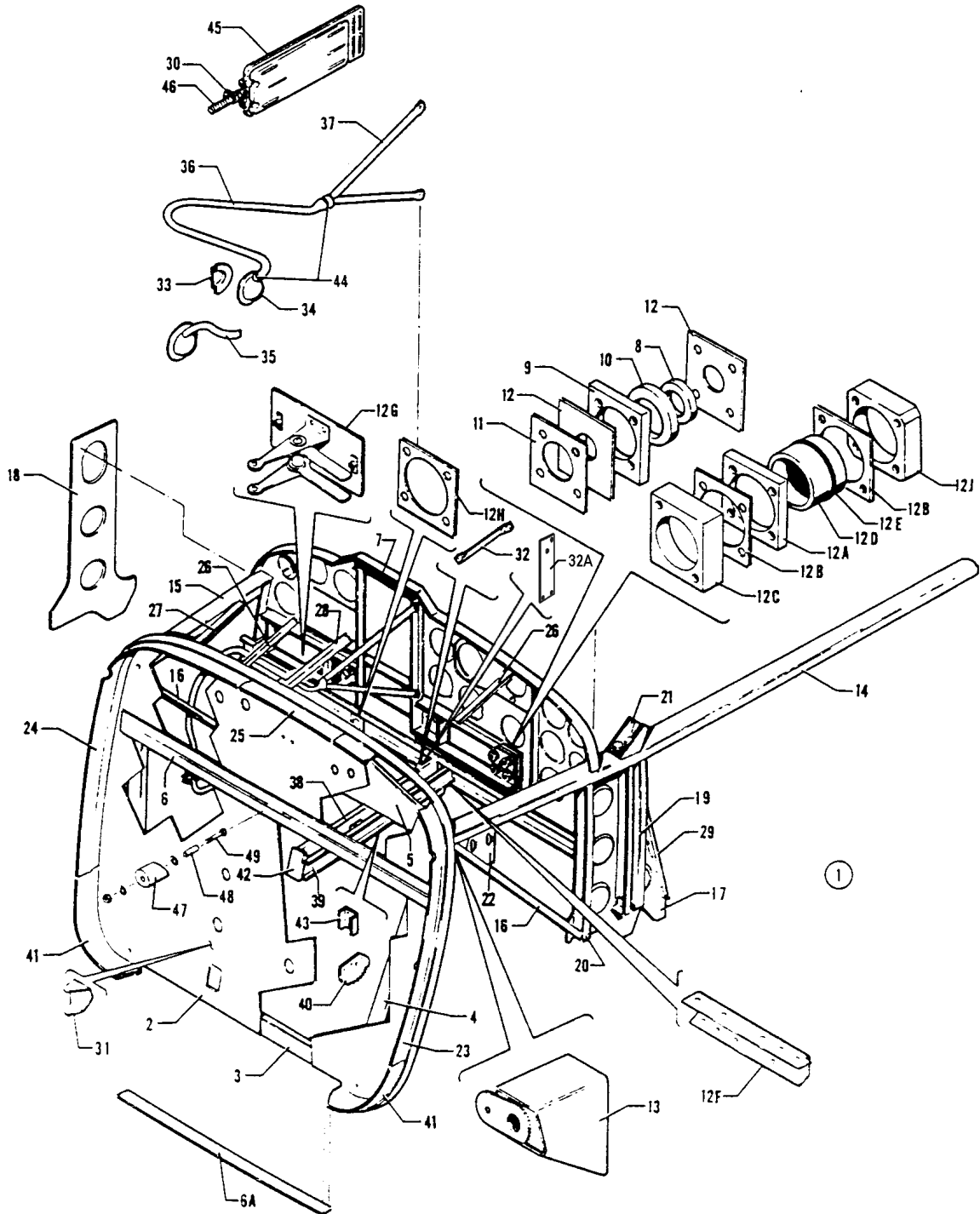


Figure 10. Upper Forward Cockpit Assembly

PA-28-140
 PA-28-150
 PA-28-160
 PA-28-180
 PA-28-235

THIS PAGE INTENTIONALLY LEFT BLANK

PIPER PARTS CATALOG

Figure and Index Number	Part Number	Code	NOMENCLATURE	No. Req.	SERIAL NUMBERS AFFECTED
10 -1	62420-014	B	UPPER COCKPIT ASSEMBLY - Forward	1	
	62420-021	D	UPPER COCKPIT ASSEMBLY - Forward	1	28-21846 to 28-21930 incl.
	66699-002	D	UPPER COCKPIT ASSEMBLY - Forward	1	28-21935 to 28-24999 inclusive
	66699-007	D	UPPER COCKPIT ASSEMBLY - Forward	1	28-25000 to 28-26400 inclusive
	99388-002	D	UPPER COCKPIT ASSEMBLY - Forward	1	28-26401 to 28-26956 inclusive
	99388-007	D	UPPER COCKPIT ASSEMBLY - Forward	1	28-7125001 to 28-7225612 incl.
	99388-010	D	UPPER COCKPIT ASSEMBLY - Forward	1	28-7325001 to 28-7325684 incl.
				1	28-7425001 to 28-7425298 incl.
				1	28-7425300 to 28-7425454 incl.
	99388-014	D	UPPER COCKPIT ASSEMBLY - Forward	1	28-7425299 to 28-7525001 to 28-7625030 inclusive
	79549-909	D	UPPER COCKPIT ASSEMBLY - Forward	1	28-7625031 and up
	62375-006	A	UPPER COCKPIT ASSEMBLY - Forward	1	28-1761 to 28-3377 inclusive
	62375-011	A	UPPER COCKPIT ASSEMBLY - Forward	1	28-3378 to 28-4377 inclusive
	65088-002	C	UPPER COCKPIT ASSEMBLY - Forward	1	28-10003 to 28-10486 inclusive
	65443-004	C	UPPER COCKPIT ASSEMBLY - Forward	1	28-10487 to 28-10719 inclusive
	65563-002	C	UPPER COCKPIT ASSEMBLY - Forward	1	28-10720 to 28-11039 inclusive
	67251-008	E	UPPER COCKPIT ASSEMBLY - Forward	1	28-4378 to 28-4877 inclusive
	69251-002	C	UPPER COCKPIT ASSEMBLY - Forward	1	28-11040 to 28-11300 inclusive
	69251-004	C	UPPER COCKPIT ASSEMBLY - Forward	1	28-11301 to 28-11393 inclusive
	99389-002	C	UPPER COCKPIT ASSEMBLY - Forward	1	28-7110001 to 28-7210033 incl.
	76213-004	C	UPPER COCKPIT ASSEMBLY - Forward	1	28-7310001 to 28-7310187 incl.
	76299-004	C	UPPER COCKPIT ASSEMBLY - Forward	1	28-7410001 to 28-7410072 incl.
				1	28-7410074 to 28-7410120 incl.
	76299-009	C	UPPER COCKPIT ASSEMBLY - Forward	1	28-7410073, 28-7510001 to 28-7610020 inclusive
	76471-909	C	UPPER COCKPIT ASSEMBLY - Forward	1	28-7610021 and up
	67251-011	E	UPPER COCKPIT ASSEMBLY - Forward	1	28-4878 to 28-5600 inclusive
	67251-017	E	UPPER COCKPIT ASSEMBLY - Forward	1	28-5601 to 28-5869 inclusive
	99390-003	E	UPPER COCKPIT ASSEMBLY - Forward	1	28-7105001 to 28-7205328 incl.
	76213-002	E	UPPER COCKPIT ASSEMBLY - Forward	1	28-7305001 to 28-7305611 incl.
	76299-002	E	UPPER COCKPIT ASSEMBLY - Forward	1	28-7405001 to 28-7405158 incl.
				1	28-7405160 to 28-7405290 incl.
	76299-007	E	UPPER COCKPIT ASSEMBLY - Forward	1	28-7405159, 28-7505001 to 28-7505261 inclusive
	-2	63284-000	A	FRAME ASSEMBLY - Firewall	1
63284-002		A	FRAME ASSEMBLY - Firewall	1	28-1521 to 28-1760 inclusive
63284-002		D	FRAME ASSEMBLY - Firewall	1	28-20002 to 28-20520 inclusive
65111-000		C	FRAME ASSEMBLY - Firewall	1	28-10003 to 28-10486 inclusive
62319-000		A	FRAME ASSEMBLY - Firewall	1	28-1761 to 28-3377 inclusive
62319-003		A	FRAME ASSEMBLY - Firewall	1	28-3378 to 28-4377 inclusive
65111-002		C	FRAME ASSEMBLY - Firewall	1	28-10487 to 28-10719 inclusive
65547-000		C	FRAME ASSEMBLY - Firewall	1	28-10720 to 28-11039 inclusive
63462-000		D	FRAME ASSEMBLY - Firewall	1	28-20521 to 28-21845 inclusive
				1	28-21931 to 28-21934 inclusive
63462-002		D	FRAME ASSEMBLY - Firewall	1	28-21846 to 28-21930 inclusive
				1	28-21935 to 28-22095 inclusive

A - Used on PA-28-150, PA-28-160 and PA-28-180 airplanes only.
 B - Used on PA-28-150, PA-28-160 and PA-28-180 with serial numbers 28-1 to 28-1760 inclusive, and PA-28-140 with serial numbers 28-20002 to 28-21845 inclusive.
 C - Used on PA-28-235 airplanes only.
 D - Used on PA-28-140 airplanes only.
 E - Used on PA-28-180 airplanes only.

When ordering, always specify Part Number, Description, and Serial Number of Aircraft

PA-28-140
 PA-28-150
 PA-28-160
 PA-28-180
 PA-28-235

PIPER PARTS CATALOG

Figure and Index Number	Part Number	Code	NOMENCLATURE	No. Req.	SERIAL NUMBERS AFFECTED
10 -2	63462-003	D	* FRAME ASSEMBLY - Firewall	1	28-22096 to 28-24999 inclusive
	66706-000	D	* FRAME ASSEMBLY - Firewall	1	28-25000 to 28-7325684 incl.
	66706-002	D	* FRAME ASSEMBLY - Firewall	1	28-7425001 to 28-7425298 incl. 28-7425300 to 28-7425454 incl.
	66706-003	D	* FRAME ASSEMBLY - Firewall	1	28-7425299, 28-7525001 and up
	65845-000	B	* FRAME ASSEMBLY - Firewall	1	28-4378 to 28-4877 inclusive
	65845-002	B	* FRAME ASSEMBLY - Firewall	1	28-4878 to 28-7305611 incl.
	65845-003	B	* FRAME ASSEMBLY - Firewall	1	28-7405001 to 28-7405158 incl. 28-7405160 to 28-7405290 incl.
	65845-004	B	* FRAME ASSEMBLY - Firewall	1	28-7405149, 28-7505001 and up
	69250-000	C	* FRAME ASSEMBLY - Firewall	1	28-11040 to 28-7310187 incl.
	69250-002	C	* FRAME ASSEMBLY - Firewall	1	28-7410001 to 28-7410072 incl. 28-7410074 to 28-7410120 incl. 28-7410073, 28-7510001 and up
-3	69250-003	C	* FRAME ASSEMBLY - Firewall	1	
-3	62438-000		** CHANNEL - Upper cockpit assembly, firewall	1	
	62435-000	E	** CHANNEL - Upper cockpit, firewall, left	1	
-4	62435-001	E	** CHANNEL - Upper cockpit, firewall, right	1	
	63436-000	A	** CHANNEL - Upper cockpit, firewall, left	1	
-5	63436-001	A	** CHANNEL - Upper cockpit, firewall, right	1	
	62439-000	F	** BEAM - Upper cockpit, firewall	1	
	67266-002	D	** BEAM - Upper cockpit, firewall	1	28-25000 and up
	65555-000	C	** BEAM - Upper cockpit, firewall	1	28-10720 to 28-11039 inclusive
	67266-000	B	** BEAM - Upper cockpit, firewall	1	28-4378 to 28-4877 inclusive
	67266-002	B	** BEAM - Upper cockpit, firewall	1	28-4878 and up
	67266-002	C	** BEAM - Upper cockpit, firewall	1	28-11040 and up
-6	63423-000	G	** CHANNEL ASSEMBLY - Toe brake reinforcement	1	
	63423-004	D	** CHANNEL ASSEMBLY - Toe brake reinforcement	1	28-25000 and up
	63423-004	B	** CHANNEL ASSEMBLY - Toe brake reinforcement	1	28-4378 and up
	63423-004	C	** CHANNEL ASSEMBLY - Toe brake reinforcement	1	28-11040 and up
-6a	63285-000		** ANGLE - Firewall	1	

A - Used on PA-28-150, PA-28-160 and PA-28-180 airplanes only.
 B - Used on PA-28-180 airplanes only.
 C - Used on PA-28-235 airplanes only.
 D - Used on PA-28-140 airplanes only.
 E - Used on PA-28-140 with serial numbers 28-20002 to 28-20520 inclusive, PA-28-235 with serial numbers 28-10003 to 28-10486 inclusive, and PA-28-150, PA-28-160 and PA-28-180 with serial numbers 28-1 to 28-1760 inclusive.
 F - Used on PA-28-140 with serial numbers 28-20002 to 28-24999 inclusive, PA-28-150, PA-28-160 and PA-28-180 with serial numbers 28-1 to 28-4377 inclusive, and PA-28-235 with serial numbers 28-10003 to 28-10719 inclusive.
 G - Used on PA-28-140 with serial numbers 28-20521 to 28-24999 inclusive, PA-28-150, PA-28-160 and PA-28-180 with serial numbers 28-1761 to 28-4377 inclusive, and PA-28-235 with serial numbers 28-10487 to 28-11039 inclusive.

PA-28-140
 PA-28-150
 PA-28-160
 PA-28-180
 PA-28-235

When ordering, always specify Part Number, Description, and Serial Number of Aircraft

PIPER PARTS CATALOG

Figure and Index Number	Part Number	Code	NOMENCLATURE	No. Req.	SERIAL NUMBERS AFFECTED	
10 -7	62521-014		PANEL ASSEMBLY - Instrument	1	28-1 to 28-1230 inclusive	
	62154-000	A	PANEL ASSEMBLY - Instrument	1	28-1231 to 28-1760 inclusive	
	62154-000	D	PANEL ASSEMBLY - Instrument	1	28-20002 to 28-24999 inclusive	
	67120-004	D	PANEL ASSEMBLY - Instrument	1	28-25000 to 28-26400 inclusive	
	67120-007	D	PANEL ASSEMBLY - Instrument	1	28-26401 to 28-26956 inclusive	
	67120-011	D	PANEL ASSEMBLY - Instrument	1	28-7125001 to 28-7225612 incl.	
	67120-014	D	PANEL ASSEMBLY - Instrument	1	28-7325001 to 28-7325684 incl.	
	67120-017	D	PANEL ASSEMBLY - Instrument	1	28-7425001 to 28-7425298 incl. 28-7425300 to 28-7425454 incl.	
	79329-000	D	PANEL ASSEMBLY - Instrument	1	28-7425299, 28-7525001 and up	
	65140-000	C	PANEL ASSEMBLY - Instrument	1	28-10003 to 28-10486 inclusive	
	62881-000	C	PANEL ASSEMBLY - Instrument	1	28-10487 to 28-10660 inclusive	
	62881-000	A	PANEL ASSEMBLY - Instrument	1	28-1761 to 28-2422 inclusive	
	63765-000	C	PANEL ASSEMBLY - Instrument	1	28-10661 to 28-10719 inclusive	
	63765-002	C	PANEL ASSEMBLY - Instrument	1	28-10720 to 28-11039 inclusive	
	63765-000	A	PANEL ASSEMBLY - Instrument	1	28-2423 to 28-3377 inclusive	
	63765-003	A	PANEL ASSEMBLY - Instrument	1	28-3378 to 284377 inclusive	
	67120-002	H	PANEL ASSEMBLY - Instrument	1		
	67120-006	E	PANEL ASSEMBLY - Instrument	1		
	67120-010	F	PANEL ASSEMBLY - Instrument	1		
	67120-013	G	PANEL ASSEMBLY - Instrument	1		
	67120-016	J	PANEL ASSEMBLY - Instrument	1		
	79329-002	B	PANEL ASSEMBLY - Instrument	1		
				<p>A - Used on PA-28-150, PA-28-160 and PA-28-180 airplanes only.</p> <p>B - Used on PA-28-180 with serial numbers 28-7405159, 28-7505001 to 28-7505261 inclusive, and PA-28-235 with serial numbers 28-7410073, 28-7510001 and up.</p> <p>C - Used on PA-28-235 airplanes only.</p> <p>D - Used on PA-28-140 airplanes only.</p> <p>E - Used on PA-28-180 with serial numbers 28-5601 to 28-5869 inclusive, and PA-28-235 with serial numbers 28-11301 to 28-11393 inclusive.</p> <p>F - Used on PA-28-180 with serial numbers 28-7105001 to 28-7205328 inclusive, and PA-28-235 with serial numbers 28-7110001 to 28-7210033 inclusive.</p> <p>G - Used on PA-28-180 with serial numbers 28-7305001 to 28-7305611 inclusive, and PA-28-235 with serial numbers 28-7310001 to 28-7310187 inclusive.</p> <p>H - Used on PA-28-180 with serial numbers 28-4378 to 28-5600 inclusive, and PA-28-235 with serial numbers 28-11040 to 28-11300 inclusive.</p> <p>J - Used on PA-28-180 with serial numbers 28-7405001 to 28-7405158 inclusive, 28-7405160 to 28-7405290 inclusive, and PA-28-235 with serial numbers 28-7410001 to 28-7410072, 28-7410074 to 28-7410120 inclusive.</p>		

When ordering, always specify Part Number, Description, and Serial Number of Aircraft

PA-28-140
PA-28-150
PA-28-160
PA-28-180
PA-28-235

PIPER PARTS CATALOG

Figure and Index Number	Part Number	Code	NOMENCLATURE	No. Req.	SERIAL NUMBERS AFFECTED	
10 -8	62788-000		BUSHING - Control wheel "150" and "160"	2	28-1 to 28-840 inclusive	
	62870-000	A	BUSHING - Control wheel "150" and "160"	2		
-9	62869-000	A	PLATE - Control wheel	2		
-10	62871-000	A	SPACER - Control wheel	2		
-11	62521-009	G	PLATE - Control wheel	2		
-12	62521-015	G	WASHER - Control wheel	2		
-12a	68272-002	B	PLATE - Control wheel	2		
-12b	68272-003	B	PLATE - Control wheel	4		
-12c	68272-004		PLATE - Control wheel	2		
-12d	68273-002	B	BUSHING - Control wheel	2		
-12e	484-792	B	O-RING - Control wheel (MS28775-218)	2		
-12f	67125-000	H	CHANNEL - Hand brake	1		
-12g	67390-003	F	CONTROL ASSEMBLY - Heat and defroster	1		28-4378 to 28-4877 inclusive
	69283-003	J	CONTROL ASSEMBLY - Heat and defroster	1		
	79863-003	E	CONTROL ASSEMBLY - Heat and defroster	1		
-12h	66695-000	D	RETAINER - Instrument	1		28-25000 and up
-12j	66931-000	C	PLATE - Control wheel lock	1		
<p>A - Used on PA-28-150 and PA-28-160 with serial numbers 28-841 to 28-3377 inclusive, PA-28-180 with serial numbers 28-671 to 28-3377 inclusive, PA-28-140 with serial numbers 28-20002 to 28-24999 inclusive, and PA-28-235 with serial numbers 28-10003 to 28-10719 inclusive.</p> <p>B - Used on PA-28-140 with serial numbers 28-25000 and up, PA-28-150, PA-28-160 and PA-28-180 with serial numbers 28-3378 to 28-7505261 inclusive, and PA-28-235 with serial numbers 28-10720 and up.</p> <p>C - Used on PA-28-140 with serial numbers 28-26401 to 28-7225612 inclusive, PA-28-180 with serial numbers 28-5601 to 28-7205328 inclusive, and PA-28-235 with serial numbers 28-11301 to 28-7210033 inclusive.</p> <p>D - Used on PA-28-140 airplanes only.</p> <p>E - Used on PA-28-140 with serial numbers 28-7125001 and up, PA-28-180 with serial numbers 28-7105001 to 28-7505261 inclusive, and PA-28-235 with serial numbers 28-7110001 and up.</p> <p>F - Used on PA-28-180 airplanes only.</p> <p>G - Used on PA-28-150, PA-28-160 and PA-28-180 with serial numbers 28-1 to 28-3377 inclusive, PA-28-235 with serial numbers 28-10003 to 28-10719 inclusive, and PA-28-140 with serial numbers 28-20002 to 28-24999 inclusive.</p> <p>H - Used on PA-28-140 with serial numbers 28-25000 and up, PA-28-180 with serial numbers 28-4378 to 28-7505261 inclusive, and PA-28-235 with serial numbers 28-11040 and up.</p> <p>J - Used on PA-28-140 with serial numbers 28-25000 to 28-26956 inclusive, PA-28-180 with serial numbers 28-4878 to 28-5869 inclusive, and PA-28-235 with serial numbers 28-11040 to 28-11393 inclusive.</p>						

PA-28-140
PA-28-150
PA-28-160
PA-28-180
PA-28-235

When ordering, always specify Part Number, Description, and Serial Number of Aircraft

PIPER PARTS CATALOG

Figure and Index Number	Part Number	Code	NOMENCLATURE	No. Req.	SERIAL NUMBERS AFFECTED
10 -13	62425-000	K	FITTING - Engine mount center, left	1	
	62425-001	K	FITTING - Engine mount center, right	1	
	79739-002	L	FITTING - Engine mount center, left	1	
	79739-003	L	FITTING - Engine mount center, right	1	
-14	62472-000	A	LONGERON - Upper, left	1	28-1 to 284377 inclusive
	62472-000	D	LONGERON - Upper left	1	
	62472-000	C	LONGERON - Upper left	1	28-10003 to 28-10719 inclusive
	65571-000	C	LONGERON - Upper, left	1	28-10720 to 28-7210033 incl.
	76489-002	C	LONGERON - Upper, left	1	28-7310001 and up
	65571-000	B	LONGERON - Upper, left	1	28-4378 to 28-7205328 incl.
	76489-002	B	LONGERON - Upper, left	1	28-7305001 to 28-7505261 incl.
-15	62473 000	G	LONGERON - Upper, right, front	1	
	62473-002	J	LONGERON - Upper, right, front	1	
-16	62485-000		CHANNEL - Left	1	
	62485-001		CHANNEL - Right	1	
-17	62498-000	E	WEB - Fuselage, left side	1	
	76136-000	F	WEB - Fuselage, left side	1	
-18	62499-000		WEB - Fuselage, right side	1	
-19	62653-004		FRAME ASSEMBLY - Upper forward cockpit, left	1	
-20	62674-000	A	ZEE - Upper forward cockpit, left	1	28-1 to 284377 inclusive
	62674-003	H	ZEE - Upper forward cockpit, left	1	
	62674-001		ZEE - Upper forward cockpit, right	1	
-21	62522-000	G	FITTING - Upper forward cockpit, Sta. 73	1	
	79553-000	J	FITTING - Upper forward cockpit, Sta. 73, left	1	
	79553-001	J	FITTING - Upper forward cockpit, Sta. 73, right	1	

- A - Used on PA-28-150, PA-28-160 and PA-28-180 airplanes only.
- B - Used on PA-28-180 airplanes only.
- C - Used on PA-28-235 airplanes only.
- D - Used on PA-28-140 airplanes only.
- E - Used on PA-28-180 with serial numbers 28-671 to 28-7205328 inclusive, PA-28-235 with serial numbers 28-10003 to 28-7210033 inclusive, and PA-28-140, PA-28-150 and PA-28-160 airplanes.
- F - Used on PA-28-180 with serial numbers 28-7305001 to 28-7505261 inclusive, and on PA-28-235 with serial numbers 28-7310001 and up.
- G - Used on PA-28-140 with serial numbers 28-20002 to 28-7625030 inclusive, and on PA-28-150, PA-28-160, PA-28-180, and PA-28-235 with serial numbers 28-10003 to 28-7610020 inclusive.
- H - Used on PA-28-180 with serial numbers 28-4378 to 28-7505261 inclusive, PA-28-140, PA-28-150 and PA-28-235.
- J - Used on PA-28-140 with serial numbers 28-7625031 and up, and PA-28-235 with serial numbers 28-7610021 and up.
- K - Used on PA-28-150, PA-28-160, PA-28-180 and PA-28-140 with serial numbers 28-25000 to 28-7725091 inclusive, and PA-28-235 with serial numbers 28-10003 to 28-7610188 inclusive.
- L - Used on PA-28-140 with serial numbers 28-7725092 and up, and PA-28-235 with serial numbers 28-7610189 and up.

When ordering, always specify Part Number, Description, and Serial Number of Aircraft

PA-28-140
PA-28-150
PA-28-160
PA-28-180
PA-28-235

PIPER PARTS CATALOG

Figure and Index Number	Part Number	Code	NOMENCLATURE	No. Req.	SERIAL NUMBERS AFFECTED
10 -22	63275-000	A	PLATE ASSEMBLY - Voltage regulator support, left	1	
	66541-000	E	PLATE ASSEMBLY - Voltage regulator support, left	1	
	79468-000	B	PLATE ASSEMBLY - Voltage regulator support, left	1	
	79655-000	D	PLATE ASSEMBLY - Voltage regulator support, left	1	
-23	65134-002	C	FLANGE - Nose cowl attaching, left	1	28-10003 to 28-10486 inclusive
	65134-002	F	FLANGE - Nose cowl attaching, left	1	
	65458-002	C	FLANGE - Nose cowl attaching, left	1	28-10487 to 28-7710040 incl.
	79795-008	C	FLANGE - Nose cowl attaching, left	1	28-7710041 and up
-24	65134-003	C	FLANGE - Nose cowl attaching, right	1	28-10003 to 28-10486 inclusive
	65134-003	F	FLANGE - Nose cowl attaching, right	1	
	65458-003	C	FLANGE - Nose cowl attaching, right	1	28-10487 to 28-7710040 incl.
	79795-009	C	FLANGE - Nose cowl attaching, right	1	28-7710041 and up
-25	65134-004	C	FLANGE - Nose cowl attaching, top	1	28-10003 to 28-10486 inclusive
	65134-004	F	FLANGE - Nose cowl attaching, top	1	
	65458-004	C	FLANGE - Nose cowl attaching, top	1	28-10487 to 28-7710040 incl.
	79795-002	G	FLANGE - Nose cowl attaching, top	1	
-26	67259-002	J	ANGLE - Stiffener, upper forward cockpit	2	
-27	67258-000	J	ANGLE - Stiffener, upper forward cockpit	1	
-28	67260-000	K	ANGLE - Stiffener, upper forward cockpit	1	
-29	76137-002	H	CHANNEL - Sta. 73.04	1	
			A - Used on PA-28-140 with serial numbers 28-20002 to 28-24999 inclusive, PA-28-150, PA-28-160; PA-28-180 with serial numbers 28-1 to 28-3377 inclusive, and on PA-28-235 with serial numbers 28-10003 to 28-10719 inclusive.		
			B - Used on PA-28-140 with serial numbers 28-7425299, 28-7525001 to 28-7625284 inclusive, PA-28-180 with serial numbers 28-7405159, 28-7505001 to 28-7505261 inclusive, and PA-28-235 with serial numbers 28-7410073, and 28-7510001 to 28-7610206 inclusive.		
			C - Used on PA-28-235 airplanes only.		
			D - Used on PA-28-140 with serial numbers 28-7725001 and up and PA-28-235 with serial numbers 28-7710001 and up.		
			E - Used on PA-28-140 with serial numbers 28-25000 to 28-7425298 inclusive, 28-7425300 to 28-7425454 inclusive, PA-28-150, PA-28-160 and PA-28-180 with serial numbers 28-3378 to 28-7405158 inclusive, 28-7405160 to 28-7405290 inclusive, and PA-28-235 with serial numbers 28-10720 to 28-7410072 inclusive, 28-7410074 to 28-7410120 inclusive.		
			F - Used on PA-28-150, PA-28-160 and PA-28-180 with serial numbers 28-1761 and up.		
			G - Used on PA-28-235 with serial numbers 28-7710041 and up.		
			H - Used on PA-28-180 with serial numbers 28-7305001 to 28-7505261 inclusive, and PA-28-235 with serial numbers 28-7310001 and up.		
			J - Used on PA-28-140 with serial numbers 28-25000 and up, and PA-28-235 with serial numbers 28-7610021 and up.		
			K - Used on PA-28-140 with serial numbers 28-25000 to 28-26956 inclusive, PA-28-180 with serial numbers 28-4378 to 28-5869 inclusive, and PA-28-235 with serial numbers 28-11040 to 28-11393 inclusive.		

PA-28-140
PA-28-150
PA-28-160
PA-28-180
PA-28-235

When ordering, always specify Part Number, Description, and Serial Number of Aircraft

PIPER PARTS CATALOG

Figure and Index Number	Part Number	Code	NOMENCLATURE	No. Req.	SERIAL NUMBERS AFFECTED
10 -30	554-888	C	CLAMP - Radio cooling hose (SAE TY F-6)	2	
-31	76325-000	A	CHANNEL - Rudder centering	1	28-7310001 to 28-7310187 incl.
-32	62153-000	B	BRACE - Ash receiver box	1	
-32a	35203-002	J	BRACKET - Stall warning horn	1	
-33	22482-000	D	SCOOP - Air, AutoFlite cooling	1	
-34	63218-000	D	BOX ASSEMBLY - Ventilator, AutoFlite cooling	1	
-35	63633-015		HOSE - AutoFlite cooling (12")	1	28-1 to 28-1230 inclusive
	63633-014	E	HOSE - Radio cooling (28-1/2")	1	
	63633-025	F	HOSE - Radio cooling (33")	1	
-36	13586-080	G	TUBE - Radio cooling	1	
	63633-047	H	HOSE - Radio cooling	1	
-37	63220-000	E	TUBE ASSEMBLY - Radio cooling	1	
	62940-000	F	TUBE ASSEMBLY - Radio cooling	1	
	68098-005	G	TUBE ASSEMBLY - Radio cooling	1	
	67469-000	H	TUBE ASSEMBLY - Radio cooling	1	
<p>A - Used on PA-28-235 airplanes only. B - Used on PA-28-150, PA-28-160 and PA-28-180 with serial numbers 28-1231 to 28-1760 inclusive, and on PA-28-140 with serial numbers 28-20002 to 28-24999 inclusive. C - Used on PA-28-140 with serial numbers 28-7525001 and up, PA-28-180 with serial numbers 28-7505001 to 28-7505261 inclusive, and PA-28-235 with serial numbers 28-7510001 and up. D - Used on PA-28-140 with serial numbers 28-20002 to 28-24999 inclusive, PA-28-150, PA-28-160 and on PA-28-180 with serial numbers 28-1 to 28-2477 inclusive, and PA-28-235 with serial numbers 28-10003 to 28-10675 inclusive. E - Used on PA-28-150, PA-28-160 and PA-28-180 with serial numbers 28-1 to 28-1760 inclusive, PA-28-235 with serial numbers 28-10003 to 28-10486 inclusive, and PA-28-140 with serial numbers 28-20002 to 28-24999 inclusive. F - Used on PA-28-150, PA-28-160 and PA-28-180 with serial numbers 28-1761 to 28-2477 inclusive, and on PA-28-235 with serial numbers 28-10487 to 28-10675 inclusive. G - Used on PA-28-150, PA-28-160 and PA-28-180 with serial numbers 28-2478 to 28-4377 inclusive, and on PA-28-235 with serial numbers 28-10676 to 28-11039 inclusive. H - Used on PA-28-140 with serial numbers 28-25000 to 28-7425454 inclusive, PA-28-180 with serial numbers 28-4378 to 28-7405290 inclusive, and PA-28-235 with serial numbers 28-11040 to 28-7410120 inclusive. J - Reference Piper Service Letter 1125, latest revision.</p>					

When ordering, always specify Part Number, Description, and Serial Number of Aircraft

PA-28-140
 PA-28-150
 PA-28-160
 PA-28-180
 PA-28-235

PIPER PARTS CATALOG

Figure and Index Number	Part Number	Code	NOMENCLATURE	No. Req.	SERIAL NUMBERS AFFECTED
10 -38	62698-000	B	CHANNEL ASSEMBLY - Brake support, right	1	
	67138-000	D	CHANNEL ASSEMBLY - Brake support, right	1	
-39	62699-004	B	CHANNEL ASSEMBLY - Brake support, left	1	
	67137-000	D	CHANNEL ASSEMBLY - Brake support, left	1	
-40	63354-000		* RATCHET - Brake handle	1	28-251 and up
-41	65134-005	A	FLANGE - Nose cowl attaching, bottom, left	1	
	65134-006	C	FLANGE - Nose cowl attaching, bottom, left	1	28-10003 to 28-10486 inclusive
	65458-006	C	FLANGE - Nose cowl attaching, bottom, left	1	28-10487 to 28-7710040 incl.
	65134-005	A	FLANGE - Nose cowl attaching, bottom, right	1	
	65134-005	C	FLANGE - Nose cowl attaching, bottom, right	1	28-10003 to 28-10486 inclusive
	65458-005	C	FLANGE - Nose cowl attaching, bottom, right	1	28-10487 to 28-7710040 incl.
-42	62648-000	B	CHANNEL - Brake support, forward	1	
	67139-000	D	CHANNEL - Brake support, forward	1	
-43	62649-000	B	CHANNEL - Brake support, aft	1	
	67140-002	D	CHANNEL ASSEMBLY - Brake support, aft	1	
-44	454-985	E	CLAMP - Radio cooling hose (SAE TYA-1)	2	
-45	79405-000	F	BOX ASSEMBLY - Radio cooling	1	
-46	63633-136	F	HOSE - Radio cooling	1	
-47	63927-000		BUMPER - Tee bar	1	
-48	63900-064		BUSHING - Tee bar bumper	1	
-49	400-444		BOLT - (AN3-13A)	1	
	690-612		WASHER - (NAS1149F0363P)	1	
	404-526		NUT - (MS21042-3)	1	
			A - Used on PA-28-150, PA-28-160 and PA-28-180 with serial numbers 28-1761 and up.		
			B - Used on PA-28-150, PA-28-160 and PA-28-180 with serial numbers 28-251 to 28-4377 inclusive, PA-28-235 with serial numbers 28-10003 to 28-11039 inclusive, and PA-28-140 with serial numbers 28-20002 to 28-24999 inclusive.		
			C - Used on PA-28-235 airplanes only.		
			D - Used on PA-28-180 with serial numbers 28-4378 to 28-7505261 inclusive, PA-28-235 with serial numbers 28-11040 and up, and PA-28-140 with serial numbers 28-25000 and up.		
			E - Used on PA-28-150, PA-28-160 and PA-28-180 with serial numbers 28-1 to 28-7405290 inclusive, PA-28-140 with serial numbers 28-20002 to 28-7425454 inclusive, and PA-28-235 with serial numbers 28-10003 to 28-7410120 inclusive.		
			F - Used on PA-28-140 with serial numbers 28-7525001 and up, PA-28-180 with serial numbers 28-7505001 to 28-7505261 inclusive, and PA-28-235 with serial numbers 28-7510001 and up.		

PA-28-140
PA-28-150
PA-28-160
PA-28-180
PA-28-235

When ordering, always specify Part Number, Description, and Serial Number of Aircraft

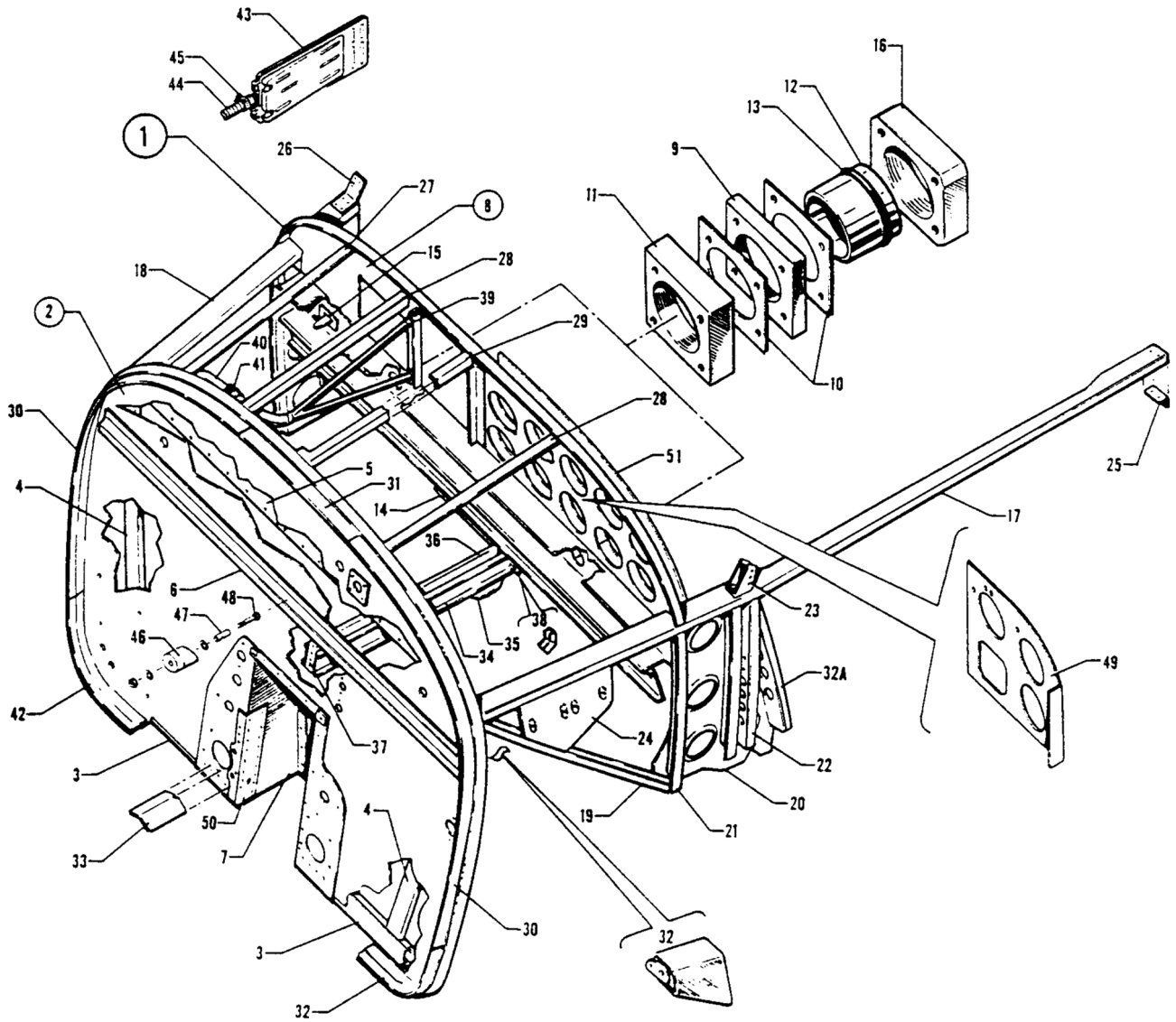


Figure 11. Upper Forward Cockpit Assembly

THIS PAGE INTENTIONALLY LEFT BLANK

PIPER PARTS CATALOG

Figure and Index Number	Part Number	Code	NOMENCLATURE	No. Req.	SERIAL NUMBERS AFFECTED	
11 -1	67251-002	G	UPPER COCKPIT ASSEMBLY - Forward	1		
	67251-010	A	UPPER COCKPIT ASSEMBLY - Forward	1		
	67251-016	F	UPPER COCKPIT ASSEMBLY - Forward	1		
	99390-004	D	UPPER COCKPIT ASSEMBLY - Forward	1		
	76130-002	E	UPPER COCKPIT ASSEMBLY - Forward	1	28R-7235001 to 28R-7235330 incl.	
	76130-011	E	UPPER COCKPIT ASSEMBLY - Forward	1	28R-7335001 to 28R-7335455 incl.	
	76360-002	E	UPPER COCKPIT ASSEMBLY - Forward	1	28R-7435001 to 28R-7435232 incl., 28R-7435234 to 28R-7435331 incl.	
	76360-003	E	UPPER COCKPIT ASSEMBLY - Forward	1	28R-7435233, 28R-7535001 to 28R-7635017 inclusive	
	67930-909	E	UPPER COCKPIT ASSEMBLY - Forward	1	28R-7635018 and up	
	-2	67253-000	G	* FIREWALL ASSEMBLY - Upper cockpit	1	
		67253-002	C	* FIREWALL ASSEMBLY - Upper cockpit	1	
		76437-000	E	* FIREWALL ASSEMBLY - Upper cockpit	1	28R-7435001 to 28R-7435232 incl., 28R-7435234 to 28R-7435331 incl.
		76437-002	E	* FIREWALL ASSEMBLY - Upper cockpit	1	28R-7435233, 28R-7535001 and up
	-3	67257-000		* CHANNEL - Firewall, left	1	
67257-001			* CHANNEL - Firewall, right	1		
-4	63436-000		* CHANNEL - Firewall, left	1		
	63436-001		* CHANNEL - Firewall, right	1		
-5	67266-000	G	* BEAM - Firewall	1		
	67266-002		* BEAM - Firewall	1	28R-30679 and up	
-6	63423-004		* CHANNEL ASSEMBLY - Firewall	1		
-7	67255-000	B	* WHEEL WELL ASSEMBLY - Firewall	1		
		E	* WHEEL WELL ASSEMBLY - Firewall	1	28R-7435001 and up	

When ordering, always specify Part Number, Description, and Serial Number of Aircraft

PIPER PARTS CATALOG

Figure and Index Number	Part Number	Code	NOMENCLATURE	No. Req.	SERIAL NUMBERS AFFECTED
11 -8	67120-000	C	* PANEL ASSEMBLY - Instrument	1	28R-7335001 to 28R-7335455 incl. 28R-7435001 to 28R-7435232 incl., 28R-7435234 to 28R-7435331 incl. 28R-7435233, 28R-7535001 and up
	67120-005	L	* PANEL ASSEMBLY - Instrument	1	
	67120-009	B	* PANEL ASSEMBLY - Instrument	1	
	67120-012	A	* PANEL ASSEMBLY - Instrument	1	
	67120-015	A	* PANEL ASSEMBLY - Instrument	1	
	79329-003	A	* PANEL ASSEMBLY - Instrument	1	
-9	68272-002		** PLATE - control wheel	2	
-10	68272-003		** PLATE - control wheel	4	
-11	68272-004		** PLATE - Control wheel	2	
-12	68273-002		** BUSHING - Control wheel	2	
-13	484-792		** O-RING - Control wheel (MS28775-218)	2	
-14	67125-000		** CHANNEL - Hand brake	1	
-15	67390-000	G	** CONTROL ASSEMBLY - Heat and defroster	1	
	69283-000	D	** CONTROL ASSEMBLY - Heat and defroster	1	
	79863-002	E	** CONTROL ASSEMBLY - Heat and defroster	1	
-16	66931-000	F	** PLATE - Control wheel lock	1	
-17	65571-000	H	* LONGERON - Upper forward cockpit, left	1	
	76489-002	A	* LONGERON - Upper forward cockpit, left	1	28R-7235001 and up
-18	62473-000	J	* LONGERON - Upper forward cockpit, right	1	
	62473-002	A	* LONGERON - Upper forward cockpit, right	1	28R-7635018 and up

- A - Used on PA-28R-200 airplanes only.
- B - Used on PA-28R-180 with serial numbers 28R-7130001 to 28R-7130019 inclusive, and PA-28R-200 with serial numbers 28R-7135001 to 28R-7235330 inclusive.
- C - Used on PA-28R-180 with serial numbers 28R-30005 to 28R-30481 inclusive, 28R-30483 to 28R-31250 inclusive, and PA-28R-200 with serial numbers 28R-30482, 28R-35001 to 28R-35600 inclusive.
- D - Used on PA-28R-180 with serial numbers 28R-30679 to 28R-31279 inclusive, and PA-28R-200 with serial numbers 28R-30482, and 28R-35001 to 28R-35830 inclusive.
- E - Used on PA-28R-180 with serial numbers 28R-7130001 and up, and PA-28R-200 with serial numbers 28R-7135001 and up.
- F - Used on PA-28R-180 with serial numbers 28R-31251 to 28R-7130019 inclusive, and PA-28R-200 with serial numbers 28R-35601 to 28R-7235330 inclusive.
- G - Used on PA-28R-180 with serial numbers 28R-30005 to 28R-30481 inclusive, and 28R-30483 to 28R-30678 inclusive.
- H - Used on PA-28R-180 with serial numbers 28R-30005 to 28R-7130019 inclusive, and PA-28R-200 with serial numbers 28R-30482, and 28R-35001 to 28R-7135238 inclusive.
- J - Used on PA-28R-180 and PA-28R-200 with serial numbers 28R-30482, 28R-35001 to 28R-7635017 inclusive.
- K - Used if NSD-360 is installed.
- L - Used on PA-28R-180 with serial numbers 28R-31251 to 28R-31279 inclusive, and PA-28R-200 with serial numbers 28R-35601 to 28R-35830 inclusive.

When ordering, always specify Part Number, Description, and Serial Number of Aircraft

PIPER PARTS CATALOG

Figure and Index Number	Part Number	Code	NOMENCLATURE	No. Req.	SERIAL NUMBERS AFFECTED
11 -19	62485-000		CHANNEL - Upper forward cockpit, left	1	
	62485-001		CHANNEL - Upper forward cockpit, right	1	
-20	62498-000	B	WEB - Upper forward cockpit, left	1	
	76136-000	D	WEB - Upper forward cockpit, left	1	28R-7235001 and up
-21	62499-000		WEB - Upper forward cockpit, right	1	
	62674-003		ZEE - Upper forward cockpit, left	1	
-22	62674-001		ZEE - Upper forward cockpit, right	1	
	62653-004		FRAME ASSEMBLY - Upper forward cockpit, left	1	
-23	62522-000	G	FITTING - Upper forward cockpit, left	1	
	79553-000	D	FITTING - Upper forward cockpit, left	1	28R-7635018 and up
-24	79553-001	D	FITTING - Upper forward cockpit, right	1	28R-7635018 and up
	66541-000	C	PLATE ASSEMBLY - Voltage regulator support, left	1	
-25	79468-000	D	PLATE ASSEMBLY - Voltage regulator support, left	1	28R-7535001 and up
	62506-000	B	CLIP - Upper cockpit, left	1	
-26	62517-000		CLIP - Upper cockpit, right	1	
-27	67258-000		ANGLE - Stiffener, upper forward cockpit	1	
-28	67259-002		ANGLE - Stiffener, upper forward cockpit	1	
-29	67260-000	A	ANGLE - Stiffener, upper forward cockpit	1	
-30	65134-002	F	FLANGE - Nose cowl attaching, top left	1	
	79795-004	D	FLANGE - Nose cowl attaching, top left	1	28R-7635531 and up
-31	65134-003	F	FLANGE - Nose cowl attaching, top right	1	
	79795-003	D	FLANGE - Nose cowl attaching, top right	1	28R-7635531 and up
-32	65134-004	F	FLANGE - Nose cowl attaching, top center	1	
	79795-002	D	FLANGE - Nose cowl attaching, top center	1	28R-7635531 and up
-32a	62425-000	E	FITTING ASSEMBLY - Engine mount, left	1	
	62425-001	E	FITTING ASSEMBLY - Engine mount, right	1	
	79739-002	D	FITTING ASSEMBLY - Engine mount, left	1	28R-7635484 and up
	79739-003	D	FITTING ASSEMBLY - Engine mount, right	1	28R-7635484 and up
	76137-002	D	CHANNEL - Sta. 73.04	1	

A - Used on PA-28R-180 with serial numbers 28R-30005 to 28R-30481 inclusive, 28R-30483 to 28R-31279 inclusive, and PA-28R-200 with serial numbers 28R-30482, and 28R-35001 to 28R-35830 inclusive.

B - Used on PA-28R-180 with serial numbers 28R-30005 to 28R-7130019 inclusive, and PA-28R-200 with serial numbers 28R-30482, 28R-35001 to 28R-7135238 inclusive.

C - Used on PA-28R-180 with serial numbers 28R-30005 to 28R-7130019 inclusive, and PA-28R-200 with serial numbers 28R-30482, 28R-35001 to 28R-7435331 inclusive.

D - Used on PA-28R-200 airplanes only.

E - Used on PA-28R-180 with serial numbers 28R-30005 to 28R-30481 inclusive, 28R-30483 to 28R-7130019 inclusive, and PA-28R-200 serial numbers 28R-30482, 28R-35001 to 28R-7635483 inclusive.

F - Used on PA-28R-180 with serial numbers 28R-30005 to 28R-30481, 28R-30483 to 28R-7130019 inclusive, and PA-28R-200 with serial numbers 28R-30482, 28R-35001 to 28R-7635530 inclusive.

G - Used on PA-28R-180 and PA-28R-200 with serial numbers 28R-30482, 28R-35001 to 28R-7635017 inclusive.

When ordering, always specify Part Number, Description, and Serial Number of Aircraft

PIPER PARTS CATALOG

Figure and Index Number	Part Number	Code	NOMENCLATURE	No. Req.	SERIAL NUMBERS AFFECTED
11 -33	67365-000		SHIELD - Nose wheel hydraulic cylinder	1	
-34	67137-000		CHANNEL ASSEMBLY - Brake support, left	1	
-35	63354-000		* RATCHET - Brake handle	1	
-36	67138-000		CHANNEL ASSEMBLY - Brake support, right	1	
-37	67139-000		CHANNEL - Brake support, forward	1	
-38	67140-000		CHANNEL - Brake support, aft	1	
-39	67448-000	C	TUBE ASSEMBLY - Radio cooling	1	28R-30005 to 28R-30242 incl.
	67469-000	A	TUBE ASSEMBLY - Radio cooling	1	
-40	63633-047	B	HOSE - Radio cooling	1	
-41	454-985	B	CLAMP - Radio cooling hose (SAE TY A-1)	2	
-42	65134-006	F	FLANGE - Nose cowl attaching, bottom left	1	
	65134-005	F	FLANGE - Nose cowl attaching, bottom right	1	
-43	79405-000	D	BOX ASSEMBLY - Radio cooling	1	28R-7535001 and up
-44	63633-136	D	HOSE - Radio cooling	1	28R-7535001 and up
-45	554-888	D	CLAMP - Radio cooling hose (SAE TY F-6)	2	28R-7535001 and up
-46	63927-000		BUMPER - Tee bar	1	
-47	63900-064		BUSHING - Tee bar bumper	1	
-48	400-444		BOLT - (AN3-13A)	1	
	690-612		WASHER - (NAS1149F0363P)	1	
	404-526		NUT - (MS21042-3)	1	
-49	79566-000	D,E	DOUBLER - Instrument panel	1	28R-7635001 and up
-50	67972-002		STIFFENER - Wheel well, right	1	
-51	79567-000	D,E	PANEL - Instrument, upper Left	1	28R-7635001 and up
			A - Used on PA-28R-180 with serial numbers 28R-30243 to 28R-7130019 inclusive, and PA-28R-200 with serial numbers 28R-30482, 28R-35001 to 28R-7435331 inclusive.		
			B - Used on PA-28R-180 with serial numbers 28R-30005 to 28R-7130019 inclusive, and PA-28R-200 with serial numbers 28R-30482, 28R-35001 to 28R-7435331 inclusive.		
			C - Used on PA-28R-180 airplanes only.		
			D - Used on PA-28R-200 airplanes only.		
			E - Used if NSD-360 is installed.		
			F - Used on PA-28R-180 with serial numbers 28R-30005 to 28R-30481, 28R-30483 to 28R-7130019 inclusive, and PA-28R-200 with serial numbers 28R-30482, 28R-35001 to 28R-7635530 inclusive.		

When ordering, always specify Part Number, Description, and Serial Number of Aircraft

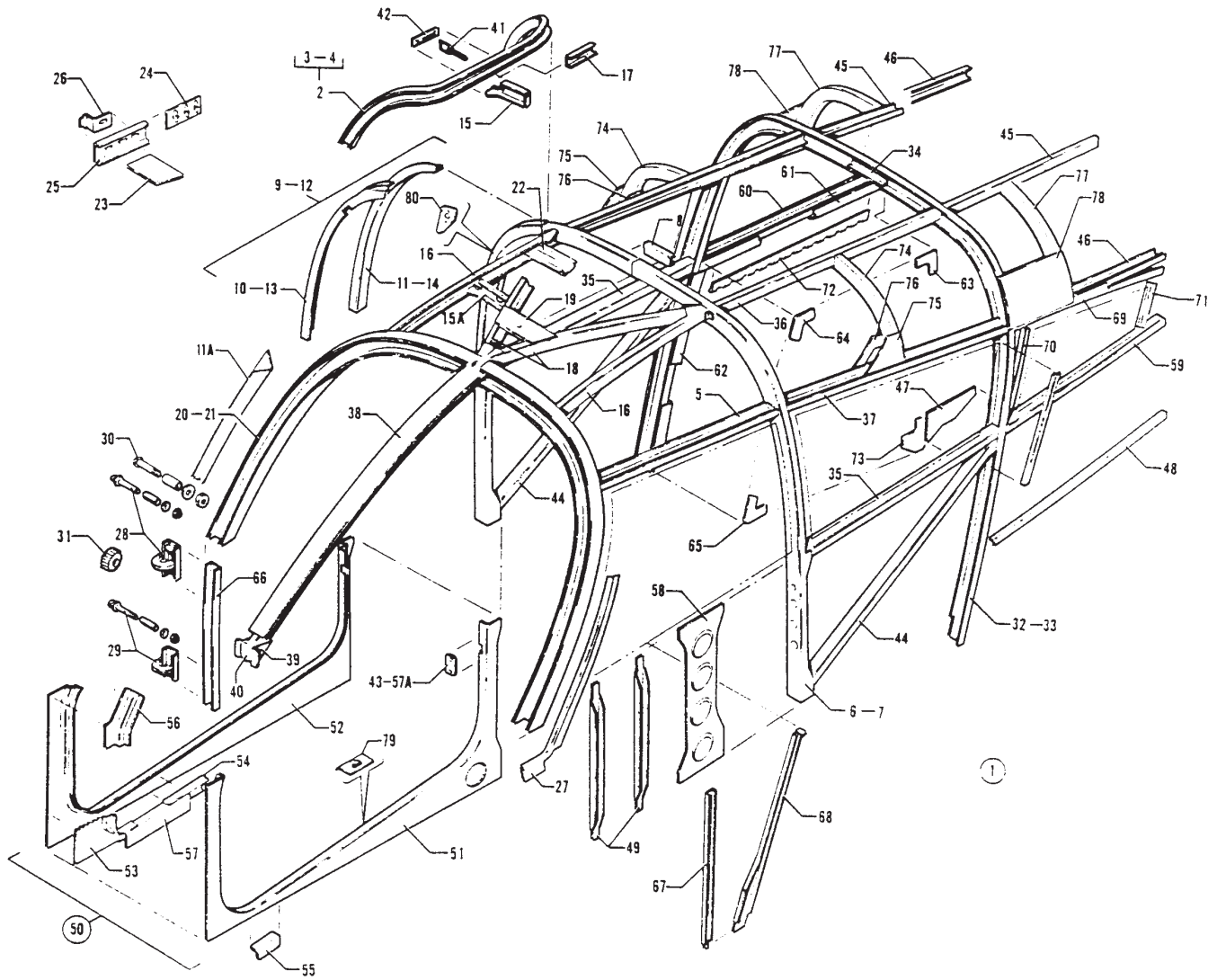


Figure 12. Upper Center Cockpit Assembly

THIS PAGE INTENTIONALLY LEFT BLANK

PIPER PARTS CATALOG

Figure and Index Number	Part Number	Code	NOMENCLATURE	No. Req.	SERIAL NUMBERS AFFECTED
12 -1	62420-015		UPPER COCKPIT ASSEMBLY - Center	1	
	62873-002	F	UPPER COCKPIT ASSEMBLY - Center	1	
	62873-008	D	UPPER COCKPIT ASSEMBLY - Center	1	
	76130-004	G	UPPER COCKPIT ASSEMBLY - Center	1	
	76130-015	H	UPPER COCKPIT ASSEMBLY - Center	1	
	76471-910	C	UPPER COCKPIT ASSEMBLY - Center	1	
	67930-910	B	UPPER COCKPIT ASSEMBLY - Center	1	
	62873-009	E	UPPER COCKPIT ASSEMBLY - Center	1	28-26401 to 28-7325684 incl.
	62873-013	E	UPPER COCKPIT ASSEMBLY - Center	1	28-7425001 to 28-7625030 incl.
	79549-910	E	UPPER COCKPIT ASSEMBLY - Center	1	
	65563-007	C	UPPER COCKPIT ASSEMBLY - Center	1	28-10720 to 28-11300 inclusive
	65563-008	C	UPPER COCKPIT ASSEMBLY - Center	1	28-11301 to 28-7210033 incl.
	<p>A - Used on PA-28-150, PA-28-160 and PA-28-180 with serial numbers 28-1 to 28-990 inclusive.</p> <p>B - Used on PA-28R-200 airplanes only.</p> <p>C - Used on PA-28-235 airplanes only.</p> <p>D - Used on PA-28-180 with serial numbers 28-5601 to 28-7205328 inclusive, PA-28R-180 with serial numbers 28R-31251 to 28R-7130019 inclusive, and PA-28R-200 with serial numbers 28R-35601 to 28R-7135238 inclusive.</p> <p>E - Used on PA-28-140 airplanes only.</p> <p>F - Used on PA-28-140 with serial numbers 28-20002 to 28-26400 inclusive, PA-28-150, PA-28-160 and on PA-28-180 with serial numbers 28-991 to 28-5600 inclusive, PA-28-235 with serial numbers 28-10003 to 28-10719 inclusive, PA-28R-180 with serial numbers 28R-30005 to 28R-30481 inclusive, and 28R-30483 to 28R-31250 inclusive, and PA-28R-200 with serial numbers 28R-30482, 28R-35001 to 28R-35600 inclusive.</p> <p>G - Used on PA-28-180 with serial numbers 28-7305001 to 28-7305611 inclusive, PA-28-235 with serial numbers 28-7310001 to 28-7310187 inclusive, and PA-28R-200 with serial numbers 28R-7235001 to 28R-7335455 inclusive.</p> <p>H - Used on PA-28-180 with serial numbers 28-7405001 to 28-7505261 inclusive, PA-28-235 with serial numbers 28-7410001 to 28-7610020 inclusive, and PA-28R-200 with serial numbers 28R-7410001 to 28R-7635017 inclusive.</p>				

When ordering, always specify Part Number, Description, and Serial Number of Aircraft

PIPER PARTS CATALOG

Figure and Index Number	Part Number	Code	NOMENCLATURE	No. Req.	SERIAL NUMBERS AFFECTED
12 -2	62512-000		PAN ASSEMBLY - Upper center	1	28-1 to 28-370 inclusive
	62420-016		PAN ASSEMBLY - Upper center	1	28-371 to 28-990 inclusive
	62873-003	A	PAN ASSEMBLY - Upper center	1	
	62873-010	B	PAN ASSEMBLY - Upper center	1	28-7325295 to 28-7625030 incl.
	79561-901	B	PAN ASSEMBLY - Upper center	1	28-7625031 and up
	76130-005	C	PAN ASSEMBLY - Upper center	1	
-3	76130-012	E	PAN ASSEMBLY - Upper center	1	
	79561-900	F	PAN ASSEMBLY - Upper center	1	
	62496-000		* PAN - Outer	1	28-1 to 28-370 inclusive
	62420-013		* PAN - Outer	1	28-371 to 28-990 inclusive
	62873-006	A	* PAN - Outer	1	
	62873-012	B	* PAN - Outer	1	28-7325295 to 28-7625030 incl.
-4	79561-005	B	* PAN - Outer	1	28-7625031 and up
	76130-007	C	* PAN - Outer	1	
	76130-014	D	* PAN - Outer	1	
	62497-000		* PAN - Inner	1	28-1 to 28-370 inclusive
	62420-012		* PAN - Inner	1	28-371 to 28-990 inclusive
	62873-005	A	* PAN - Inner	1	
	62873-011	B	* PAN - Inner	1	28-7325295 to 28-7625030 incl.
	79561-006	B	* PAN - Inner	1	28-7625031 and up
	76130-006	C	* PAN - Inner	1	
	76130-013	D	* PAN - Inner	1	
			<p>A - Used on PA-28R-200 with serial numbers 28R-30482, 28R-35001 to 28R-7135238 inclusive, PA-28-180 with serial numbers 28-991 to 28-7205328 inclusive, and PA-28-235 with serial numbers 28-10003 to 28-7210033 inclusive, PA-28-140 with serial numbers 28-20002 to 28-7325294 inclusive, PA-28-150, PA-28-160 and PA-28R-180.</p> <p>B - Used on PA-28-140 airplanes only.</p> <p>C - Used on PA-28-180 with serial numbers 28-7305001 to 28-7305361 inclusive, PA-28-235 with serial numbers 28-7310001 to 28-7310127 inclusive, and PA-28R-200 with serial numbers 28R-7235001 to 28R-7335218 inclusive.</p> <p>D - Used on PA-28-180 with serial numbers 28-7305362 and up, PA-28-235 with serial numbers 28-7310128 and up, and PA-28R-200 with serial numbers 28R-7335219 and up.</p> <p>E - Used on PA-28-180 with serial numbers 28-7305362 to 28-7505261 inclusive, PA-28-235 with serial numbers 28-7310128 to 28-7610020 inclusive, and PA-28R-200 with serial numbers 28R-7335219 to 28R-7635017 inclusive.</p> <p>F - Used on PA-28-235 with serial numbers 28-7610021 and up, and PA-28R-200 with serial numbers 28R-7635018 and up.</p>		

When ordering, always specify Part Number, Description, and Serial Number of Aircraft

PIPER PARTS CATALOG

Figure and Index Number	Part Number	Code	NOMENCLATURE	No. Req.	SERIAL NUMBERS AFFECTED
12 -5	62479-000	E	CHANNEL - Left front window, top	1	28-7625031 and up
	62479-002	G	CHANNEL - Left front window, top	1	
	76132-000	F	CHANNEL - Left front window, top	1	
	76132-003	H	CHANNEL - Left front window, top	1	
-6	62426-000	A	FRAME ASSEMBLY - Fuselage, Sta. 108.16	1	
	62426-003	C	FRAME ASSEMBLY - Fuselage, Sta. 108.16	1	
	62426-005	D	FRAME ASSEMBLY - Fuselage, Sta. 108.16	1	
	62426-006	J	FRAME ASSEMBLY - Fuselage, Sta. 108.16	1	
-7	62427-000		* CHANNEL - Fuselage frame, left	1	
	62427-001	A	* CHANNEL - Fuselage frame, right	1	
	62427-002	B	* CHANNEL - Fuselage frame, right	1	
	62429-000		* CHANNEL - Splice plate	1	
-8					

- A - Used on PA-28-150, PA-28-160 and PA-28-180 with serial numbers 28-1 to 28-990 inclusive.
- B - Used on PA-28-150, PA-28-160 and PA-28-180 with serial numbers 28-991 to 28-7505261 inclusive, and PA-28-235 with serial numbers 28-10003 and up, PA-28-140 with serial numbers 28-20002 and up, PA-28R-180, and PA-28R-200.
- C - Used on PA-28-140 with serial numbers 28-20002 to 28-7225612 inclusive, PA-28-150, PA-28-160 and PA-28-180 with serial numbers 28-991 to 28-4377 inclusive, and PA-28-235 with serial numbers 28-10003 to 28-10719 inclusive.
- D - Used on PA-28-140 with serial numbers 28-7325001 to 28-7625030 inclusive, PA-28-180 with serial numbers 28-4378 to 28-7505261 inclusive, PA-28-235 with serial numbers 28-10720 to 28-7610020 inclusive, PA-28R-180 and PA-28R-200 serial numbers 28R-30482, 28R-35001 to 28R-7635017 inclusive.
- E - Used on PA-28-180 with serial numbers 28-671 to 28-7205328 inclusive, PA-28-235 with serial numbers 28-10003 to 28-7210033 inclusive, PA-28R-200 with serial numbers 28R-30482, 28R-35001 to 28R-7135238 inclusive, PA-28-140 with serial numbers 28-20002 to 28-7625030 inclusive, PA-28-150, PA-28-160 and PA-28R-180.
- F - Used on PA-28-180 with serial numbers 28-7305001 to 28-7505261 inclusive, PA-28-235 with serial numbers 28-7310001 to 28-7610020 inclusive, and PA-28R-200 with serial numbers 28R-7235001 to 28R-7635017 inclusive.
- G - Used on PA-28-140 airplanes only.
- H - Used on PA-28-235 with serial numbers 28-7610021 and up, and PA-28R-200 with serial numbers 28R-7635018 and up.
- J - Used on PA-28-140 with serial numbers 28-7625031 and up, PA-28-235 with serial numbers 28-7610021 and up, and PA-28R-200 with serial numbers 28R-7635018 and up.

When ordering, always specify Part Number, Description, and Serial Number of Aircraft

PIPER PARTS CATALOG

Figure and Index Number	Part Number	Code	NOMENCLATURE	No. Req.	SERIAL NUMBERS AFFECTED
12 -9	62511-002	D	PAN ASSEMBLY - Side	1	
	79561-903	E	PAN ASSEMBLY - Side	1	
-10	62494-002	D	* PAN - Inner	1	
	79561-008	E	* PAN - Inner	1	
-11	62495-002	D	* PAN - Outer	1	
	79561-007	E	* PAN - Outer	1	
-11a	79561-004	E	JAMB - Door, forward	1	
-12	62511-000	A	PAN ASSEMBLY - Side	1	
-13	62494 000	A	* PAN	1	
-14	62495 000	A	* PAN	1	
-15	63038-000	B	CHANNEL ASSEMBLY - Door latch	1	
	76134-000	C	CHANNEL ASSEMBLY - Door latch	1	
-15a	63038-002	F	CHANNEL - Support	1	
			<p>A - Used on PA-28-150, PA-28-160 and PA-28-180 with serial numbers 28-1 to 28-990 inclusive.</p> <p>B - Used on PA-28-150, PA-28-160 and PA-28-180 with serial numbers 28-991 to 28-7205328 inclusive, and PA-28-235 with serial numbers 28-10003 to 28-7210033 inclusive, PA-28-140 with serial numbers 28-20002 to 28-7325294 inclusive, PA-28R-180 with serial numbers 28R-30005 to 28R-7130019 inclusive and PA-28R-200 with serial numbers 28R-30482, 28R-35001 to 28R-7135235 inclusive.</p> <p>C - Used on PA-28-180 with serial numbers 28-7305001 to 28-7305361 inclusive, PA-28-235 with serial numbers 28-7310001 to 28-7310127 inclusive, and PA-28R-200 with serial numbers 28R-7235001 to 28R-7335218 inclusive.</p> <p>D - Used on PA-28-150, PA-28-160 and PA-28-180 with serial numbers 28-991 to 28-7505261 inclusive, and PA-28-235 with serial numbers 28-10003 to 28-7610021 inclusive, PA-28-140 with serial numbers 28-20002 to 28-7625030 inclusive, PA-28R-180, and PA-28R-200 with serial numbers 28R-30482, 28R-35001 to 28R-7635017 inclusive.</p> <p>E - Used on PA-28-140 with serial numbers 28-7625031 and up, PA-28-235 with serial numbers 28-7610021 and up, and PA-28R-200 with serial numbers 28R-7635018 and up.</p> <p>F - Used on PA-28-180 with serial numbers 28-7305001 to 28-7505261 inclusive, PA-28-235 with serial numbers 28-7310001 and up, and PA-28R-200 with serial numbers 28R-7235001 and up.</p>		

When ordering, always specify Part Number, Description, and Serial Number of Aircraft

PIPER PARTS CATALOG

Figure and Index Number	Part Number	Code	NOMENCLATURE	No. Req.	SERIAL NUMBERS AFFECTED	
12 -16	62480-000	E	CHANNEL - Upper center cockpit, left	1		
	62480-004	J	CHANNEL - Upper center cockpit, left	1	28-7625031 and up	
	76131-000	C	CHANNEL - Upper center cockpit, left	1		
	62480-001	B	CHANNEL - Upper center cockpit, left	1		
	76140-003	F	CHANNEL - Upper center cockpit, left	1		
	62480-002	G	CHANNEL - Upper center cockpit, right	1		
	62480-003	J	CHANNEL - Upper center cockpit, right	1	28-7325295 to 28-7625030 incl.	
	62480-005	J	CHANNEL - Upper center cockpit, right	1	28-7625031 and up	
	76131-001	H	CHANNEL - Upper center cockpit, right	1		
	76131-002	D	CHANNEL - Upper center cockpit, right	1		
	76140 004	F	CHANNEL - Upper center cockpit, right	1		
	-17	63049-000	A	CHANNEL - Door Latch	1	
				<p>A - Used on PA-28-150, PA-28-160 and PA-28-180 with serial numbers 28-991 to 28-7305361 inclusive, and PA-28-235 with serial numbers 28-10003 to 28-7310127 inclusive, PA-28-140 with serial numbers 28-20002 to 28-7325294 inclusive, and PA-28R-180.</p> <p>B - Used on PA-28-150, PA-28-160 and PA-28-180 with serial numbers 28-1 to 28-990 inclusive.</p> <p>C - Used on PA-28-180 with serial numbers 28-7305001 to 28-7505261 inclusive, PA-28-235 with serial numbers 28-7310001 and up, and PA-28R-200 with serial numbers 28R-7235001 and up.</p> <p>D - Used on PA-28-180 with serial numbers 28-7305362 to 28-7505261 inclusive, PA-28-235 with serial numbers 28-7310128 to 28-7610020 inclusive, and PA-28R-200 with serial numbers 28R-7335219 to 28R-7635017 inclusive.</p> <p>E - Used on PA-28-180 with serial numbers 28-671 to 28-7205328 inclusive, PA-28-235 with serial numbers 28-10003 to 28-7210033 inclusive, PA-28R-200 with serial numbers 28R-30482, 28R-35001 to 28R-7135238 inclusive, PA-28-140 with serial numbers 28-20002 to 28-7625030 inclusive, PA-28-150, PA-28-160 and PA-28R-180.</p> <p>F - Used on PA-28-235 with serial numbers 28-7610021 and up, and PA-28R-200 serial numbers 28R-7635018 and up.</p> <p>G - Used on PA-28-150, PA-28-160 and PA-28-180 with serial numbers 28-991 to 28-7205328 inclusive, and PA-28-235 with serial numbers 28-10003 to 28-7210033 inclusive, PA-28-140 with serial numbers 28-20002 to 28-7325294 inclusive, PA-28R-180 with serial numbers 28R-30005 to 28R-7130019 inclusive, and PA-28R-200 serial numbers 28R-30482, 28R-35001 to 28R-7125238 inclusive.</p> <p>H - Used on PA-28-180 with serial numbers 28-7305001 to 28-7305361 inclusive, PA-28-235 with serial numbers 28-7310001 to 28-7310127 inclusive, and PA-28R-200 with serial numbers 28R-7235001 to 28R-7335218 inclusive.</p> <p>J - Used on PA-28-140 airplanes only.</p>		

When ordering, always specify Part Number, Description, and Serial Number of Aircraft

PIPER PARTS CATALOG

Figure and Index Number	Part Number	Code	NOMENCLATURE	No. Req.	SERIAL NUMBERS AFFECTED
12 -18	62481-000	C	CHANNEL - Upper center fuselage, left	1	
	66968-000	F	CHANNEL ASSEMBLY - Upper center fuselage, left	1	
	66969-002	D	CHANNEL - Upper center fuselage, left	1	
	62676-000	C	CHANNEL ASSEMBLY - Upper center fuselage, right	1	
	66968-001	F	CHANNEL ASSEMBLY - Upper center fuselage, right	1	
	66969-003	D	CHANNEL - Upper center fuselage, right	1	
	-19	62237-000	A	DOUBLER - Antenna	1
67555-000		E	DOUBLER - Antenna	1	
79161-000		B	DOUBLER - Antenna	1	
			<p>A - Used on PA-28-140 with serial numbers 28-20081 to 28-22645 inclusive, PA-28-150, PA-28-160 and PA-28-180 with serial numbers 28-1681 to 28-3977 inclusive, and PA-28-235 with serial numbers 28-10353 to 28-10885 inclusive.</p> <p>B - Used on PA-28-140 with serial numbers 28-26401 and up, PA-28-180 with serial numbers 28-7305001 to 28-7505261 inclusive, PA-28-235 with serial numbers 28-7310001 and up, and PA-28R-200 with serial numbers 28R-7235001 and up.</p> <p>C - Used on PA-28-140 with serial numbers 28-20002 to 28-26400 inclusive, PA-28-150, PA-28-160 and PA-28-180 with serial numbers 28-1 to 28-5600 inclusive, PA-28R-180 with serial numbers 28R-30005 to 28R-30481 inclusive, 28R-30483 to 28R-31250 inclusive, PA-28R-200 with serial numbers 28R-30482, 28R-35001 to 28R-35600 inclusive, and PA-28-235 with serial numbers 28-10003 to 28-11300 inclusive.</p> <p>D - Used on PA-28-140 with serial numbers 28-7625031 and up, PA-28-235 with serial numbers 28-7610021 and up, and PA-28R-200 with serial numbers 28R-7635018 and up.</p> <p>E - Used on PA-28-150, PA-28-160 and PA-28-180 with serial numbers 28-3978 to 28-7205328 inclusive, PA-28-235 with serial numbers 28-10886 to 28-7210033 inclusive, PA-28-140 with serial numbers 28-22646 to 28-264080 inclusive, PA-28R-200 with serial numbers 28R-30482, 28R-35001 to 28R-7135238 inclusive, and PA-28R-180.</p> <p>F - Used on PA-28-140 with serial numbers 28-26401 to 28-7625030 inclusive, PA-28-180 with serial numbers 28-5601 to 28-7505261 inclusive, PA-28R-180 with serial numbers 28R-31251 to 28R-7130019 inclusive, and PA-28-235 with serial numbers 28-11301 to 28-7610020 inclusive.</p>		

When ordering, always specify Part Number, Description, and Serial Number of Aircraft

PIPER PARTS CATALOG

Figure and Index Number	Part Number	Code	NOMENCLATURE	No. Req.	SERIAL NUMBERS AFFECTED	
12 -20	62518-000	C	FRAME ASSEMBLY - Canted, fuselage, Sta. 85.6	1		
	62518-016	G	FRAME ASSEMBLY - Canted, fuselage, Sta. 85.6	1		
	62518-017	F	FRAME ASSEMBLY - Canted, fuselage, Sta. 85.6	1		
	76468-000	B	FRAME ASSEMBLY - Canted, fuselage, Sta. 85.6	1		
	-21	62518-002	C	* CHANNEL ASSEMBLY - Left	1	
		62518-014	A	* CHANNEL ASSEMBLY - Left	1	
76468-002		B	* CHANNEL - Left	1		
	62518-003	C	* CHANNEL ASSEMBLY - Right	1		
	62518-015	A	* CHANNEL ASSEMBLY - Right	1		
	76468-003	B	* CHANNEL - Right	1		
-22	68364-000	D	CHANNEL - Upper cockpit	1		
	76239 000	E	CHANNEL - Upper cockpit	1		
			<p>A - Used on PA-28-140 with serial numbers 28-26401 to 28-7625030 inclusive, PA-28-180 with serial numbers 28-5601 to 28-7505261 inclusive, PA-28R-180 with serial numbers 28R-31251 to 28R-7130019 inclusive, PA-28R-200 with serial numbers 28R-35601 to 28R-7635017 inclusive, and PA-28-235 with serial numbers 28-11301 to 28-7610020 inclusive.</p> <p>B - Used on PA-28-140 with serial numbers 28-7625031 and up, PA-28-235 with serial numbers 28-7610021 and up, and PA-28R-200 with serial numbers 28R-7635018 and up.</p> <p>C - Used on PA-28-140 with serial numbers 28-20002 to 28-26400 inclusive, PA-28-150, PA-28-160 and PA-28-180 with serial numbers 28-1 to 28-5600 inclusive, PA-28R-180 with serial numbers 28R-30005 to 28R-30481 inclusive, 28R-30483 to 28R-31250 inclusive, PA-28R-200 with serial numbers 28R-30482, 28R-35001 to 28R-35600 inclusive, and PA-28-235 with serial numbers 28-10003 to 28-11300 inclusive.</p> <p>D - Used on PA-28-180 with serial numbers 28-7305001 to 28-7305065 inclusive, and PA-28R-200 with serial numbers 28R-7235001 to 28R-7335101 inclusive.</p> <p>E - Used on PA-28-180 with serial numbers 28-7305066 and up, PA-28R-200 with serial numbers 28R-7335102 and up, and PA-28-235 with serial numbers 28-7310001 and up.</p> <p>F - Used on PA-28-140 with serial numbers 28-7425001 to 28-7625030 inclusive, PA-28-180 with serial numbers 28-7405001 to 28-7505261 inclusive, PA-28-235 with serial numbers 28-7410001 to 28-7610020 inclusive, and PA-28R-200 with serial numbers 28R-7435001 to 28R-7635017 inclusive.</p> <p>G - Used on PA-28-140 with serial numbers 28-26401 to 28-7325684 inclusive, PA-28-180 with serial numbers 28-5601 to 28-7305611 inclusive, PA-28R-180 with serial numbers 28R-31251 to 28R-7130019 inclusive, PA-28R-200 serial numbers 28R-35601 to 28R-7335455 inclusive, and PA-28-235 with serial numbers 28-11301 to 28-7310187 inclusive.</p>			

When ordering, always specify Part Number, Description, and Serial Number of Aircraft

PIPER PARTS CATALOG

Figure and Index Number	Part Number	Code	NOMENCLATURE	No. Req.	SERIAL NUMBERS AFFECTED
12 -23	79173-000	H	* PLATE - Door Latch	1	28-7335255 and up
	76365-000	G	* PLATE - Door latch	1	
-24	69738-000	J	* PLATE ASSEMBLY - Door Latch	1	
-25	69740-000	C	* CHANNEL - Door Latch	1	
	69740-002	F	* CHANNEL - Door Latch	1	
-26	69739-000	J	* CLIP - Door Latch	1	
-27	62420-008	A	RETAINER - Windshield, left	1	
	79296-012	D,E	RETAINER - Windshield, left	1	
	65563-004	B	RETAINER - Windshield, left	1	
			A - Used on PA-28-140 with serial numbers 28-20002 to 28-7425367 inclusive, PA-28-150, PA-28-160 and PA-28-180 with serial numbers 28-1 to 28-7405194 inclusive, PA-28-235 with serial numbers 28-10003 to 28-10719 inclusive, 28-7310001 to 28-7410082 inclusive, PA-28R-180 with serial numbers 28R-30005 to 28R-7130019 inclusive, and PA-28R-200 with serial numbers 28R-30482, 28R-35001 to 28R-7435268 inclusive.		
			B - Used on PA-28-235 airplanes only.		
			C - Used on PA-28-140 with serial numbers 28-7325295 to 28-7625030 inclusive, PA-28-180 with serial numbers 28-7305362 to 28-7505261 inclusive, PA-28-235 with serial numbers 28-7310128 to 28-7610020 inclusive, and PA-28R-200 with serial numbers 28R-7335219 to 28R-7635017 inclusive.		
			D - Used on PA-28-140 with serial numbers 28-7425001 to 28-7425367 inclusive, PA-28-180 with serial numbers 28-7405001 to 28-7405194 inclusive, PA-28-235 with serial numbers 28-7410001 to 28-7410082 inclusive, and PA-28R-200 with serial numbers 28R-7435001 to 28R-7435268 inclusive.		
			E - Used if .250 thick sound reduction windshield is installed.		
			F - Used on PA-28-140 with serial numbers 28-7625031 and up, PA-28-235 with serial numbers 28-7610021 and up, and PA-28R-200 with serial numbers 28R-7635018 and up.		
			G - Used on PA-28-180 with serial numbers 28-7305362 and up, PA-28-235 with serial numbers 28-7310128 and up, and PA-28R-200 with serial numbers 28R-7335219 and up.		
			H - Used on PA-28-140 airplanes only.		
			J - Used on PA-28-140 with serial numbers 28-7325295 and up, PA-28-180 with serial numbers 28-7305362 to 28-7505261 inclusive, PA-28-235 with serial numbers 28-7310128 and up, and PA-28R-200 with serial numbers 28R-7335219 and up.		

When ordering, always specify Part Number, Description, and Serial Number of Aircraft

PIPER PARTS CATALOG

Figure and Index Number	Part Number	Code	NOMENCLATURE	No. Req.	SERIAL NUMBERS AFFECTED
12 -27	62420-023	C	RETAINER - Windshield, left, upper	1	28-10720 to 28-7210033 incl.
	69891-010	F	RETAINER - Windshield, left, upper	1	
	69891-012	E,H	RETAINER - Windshield, left, upper	1	
	62420-025	C	RETAINER - Windshield, left, lower	1	
	69891-002	F	RETAINER - Windshield, left, lower	1	
	69891-004	E,H	RETAINER - Windshield, left, lower	1	
	62420-010	A	RETAINER - Windshield, right	1	
	79296-013	D,E	RETAINER - Windshield, right	1	
	65563-005	B	RETAINER - Windshield, right	1	
	62420-024	C	RETAINER - Windshield, right, upper	1	
	69891-011	F	RETAINER - Windshield, right, upper	1	
	69891-013	E,G	RETAINER - Windshield, right, upper	1	
	62420-026	C	RETAINER - Windshield, right, lower	1	
	69891-003	F	RETAINER - Windshield, right, lower	1	
	69891-005	E,G	RETAINER - Windshield, right, lower	1	
			<p>A - Used on PA-28-140 with serial numbers 28-20002 to 28-7425367 inclusive, PA-28-150, PA-28-160 and PA-28-180 with serial numbers 28-1 to 28-7405194 inclusive, PA-28-235 with serial numbers 28-10003 to 28-10719 inclusive, 28-7310001 to 28-7410082 inclusive, PA-28R-180 with serial numbers 28R-30005 to 28R-7130019 inclusive, and PA-28R-200 with serial numbers 28R-30482, 28R-35001 to 28R-7435268 inclusive.</p> <p>B - Used on PA-28-235 airplanes only.</p> <p>C - Used on PA-28-140 with serial numbers 28-7425368 to 28-7625030 inclusive, PA-28-180 with serial numbers 28-7405195 to 28-7505261 inclusive, PA-28-235 with serial numbers 28-7410083 to 28-7610020 inclusive, and PA-28R-200 with serial numbers 28R-7435269 to 28R-7635017 inclusive.</p> <p>D - Used on PA-28-140 with serial numbers 28-7425001 to 28-7425367 inclusive, PA-28-180 with serial numbers 28-7405001 to 28-7405194 inclusive, PA-28-235 with serial numbers 28-7410001 to 28-7410082 inclusive, and PA-28R-200 with serial numbers 28R-7435001 to 28R-7435268 inclusive.</p> <p>E - Used if .250 thick sound reduction windshield is installed.</p> <p>F - Used on PA-28-140 with serial numbers 28-7625031 and up, PA-28-235 with serial numbers 28-7610021 and up, and PA-28R-200 with serial numbers 28R-7635018 and up.</p> <p>G - Used on PA-28-140 with serial numbers 28-7425368 and up, PA-28-180 with serial numbers 28-7405195 and up, PA-28-235 with serial numbers 28-7410083 and up, and PA-28R-200 with serial numbers 28R-7435269 and up.</p> <p>H - Used on PA-28-140 with serial numbers 28-7425368 and up, PA-28-180 with serial numbers 28-7405195 to 28-7505261 inclusive, PA-28-235 with serial numbers 28-7410083 and up, and PA-28R-200 with serial numbers 28R-7435269 and up.</p>		

When ordering, always specify Part Number, Description, and Serial Number of Aircraft

PIPER PARTS CATALOG

Figure and Index Number	Part Number	Code	NOMENCLATURE	No. Req.	SERIAL NUMBERS AFFECTED
12 -28	62415-000		BRACKET ASSEMBLY - Upper door hinge attachment	1	28-1 to 28-544 inclusive
	402-057		BOLT - Eye, upper door hinge attachment (AN44-17A)	1	28-545 and up
	690-619		WASHER - (NAS1149F0532P)	1	28-545 and up
	404-531		NUT - (MS21042-5)	1	28-545 and up
	63900-047		BUSHING - Upper door hinge	1	28-545 and up
-29	62416-000		BRACKET ASSEMBLY - Lower door hinge attachment	1	28-1 to 28-544 inclusive
	402-057		BOLT - Eye, lower door hinge attachment (AN44-17A)	1	28-545 and up
	690-619		WASHER - (NAS1149F0532P)	1	28-545 and up
	404-531		NUT - (MS21042-5)	1	28-545 and up
	63900-046		BUSHING - Lower door hinge	1	28-545 and up
-30	480-883		BOLT - Clevis (AN23-31A)	1	
	690-609		WASHER - (NAS1149F0332P)	1	
	404-526		NUT - (MS21042-3)	1	
	63900-048		BUSHING - door hinge	1	
-31	21741-000		BUSHING - Serrated door hinge	1	
-32	62412-000	B	FRAME ASSEMBLY - Fuselage, Sta. 128.737, upper	1	
	62412-002	A	FRAME ASSEMBLY - Fuselage, Sta. 128.737, upper	1	
-33	62410-000		* CHANNEL - Upper frame, left	1	
	62410-001		* CHANNEL - Upper frame, right	1	
-34	62430-000		* CHANNEL - Splice plate	1	
-35	62474 000	D,E	LONGERON - Upper center cockpit	2	
	62474-000	F	LONGERON - Upper center cockpit	2	28-10003 to 28-10719 inclusive
	65572-000	C	LONGERON - Upper center cockpit, left	1	
	65572-001	C	LONGERON - Upper center cockpit, right	1	
-36	62477-000		CHANNEL - Upper center cockpit, left	1	
	62477-001		CHANNEL - Upper center cockpit, right	1	
			A - Used on PA-28-140 with serial numbers 28-7325001 and up, PA-28-235 with serial numbers 28-10720 and up, PA-28-180 with serial numbers 28-4378 to 28-7505261 inclusive, PA-28R-180 and PA-28R-200.		
			B - Used on PA-28-140 with serial numbers 28-20002 to 28-7225612 inclusive, PA-28-150, PA-28-160 and PA-28-180 with serial numbers 28-1 to 28-4377 inclusive, and PA-28-235 with serial numbers 28-10003 to 28-10719 inclusive.		
			C - Used on PA-28-235 with serial numbers 28-10720 and up, PA-28-180 with serial numbers 28-4378 to 28-7505261 inclusive, PA-28R-180 and PA-28R-200.		
			D - Used on PA-28-150, PA-28-160 and PA-28-180 with serial numbers 28-1 to 28-4377 inclusive.		
			E - Used on PA-28-140 airplanes only.		
			F - Used on PA-28-235 airplanes only.		

When ordering, always specify Part Number, Description, and Serial Number of Aircraft

PIPER PARTS CATALOG

Figure and Index Number	Part Number	Code	NOMENCLATURE	No. Req.	SERIAL NUMBERS AFFECTED
12 -37	62476-000	C	CHANNEL - Upper center cockpit, top left	1	28-1 to 28-1680 inclusive
	62476-000	J	CHANNEL - Upper center cockpit, top left	1	28-10003 to 28-10352 inclusive
	62476-000	D	CHANNEL - Upper center cockpit, top left	1	28-20002 to 28-20080 inclusive
	65426-000	C	CHANNEL - Upper center cockpit, top left	1	28-1681 to 28-4377 inclusive
	65426-000	J	CHANNEL - Upper center cockpit, top left	1	28-10353 to 28-11039 inclusive
	65426-000	D	CHANNEL - Upper center cockpit, top left	1	28-20081 and up
	67262-002	K	CHANNEL - Upper center cockpit, left	1	
	62476-001	C	CHANNEL - Upper center cockpit, top right	1	28-1 to 28-1680 inclusive
	62476-001	J	CHANNEL - Upper center cockpit, top right	1	28-10003 to 28-10352 inclusive
	62476-001	D	CHANNEL - Upper center cockpit, top right	1	28-20002 to 28-2 0080 incl.
	65426-001	C	CHANNEL - Upper center cockpit, top right	1	28-1681 to 28-4377 inclusive
	65426-001	J	CHANNEL - Upper center cockpit, top right	1	28-10353 to 28-11039 inclusive
	65426-001	D	CHANNEL - Upper center cockpit, top right	1	28-20081 and up
	67262-003	K	CHANNEL - Upper center cockpit, right	1	
-38	62509-002	E	HAT ASSEMBLY - Windshield	1	
	62509-003	F	HAT ASSEMBLY - Windshield	1	
	62509-004	F,G	HAT ASSEMBLY - Windshield	1	
-39	62505-000		* BRACKET - Windshield	1	
-40	62423-000		* FITTING - Upper engine mount	1	
-41	63037-000		LOOP ASSEMBLY - Door latch	1	28-991 and up
-42	63040-000	B	PLATE - Door latch	1	
	68353-000	A	PLATE - Door latch	1	
	79234-000	H	PLATE - Door latch	1	
			<p>A - Used on PA-28-150, PA-28-160 and PA-28-180 with serial numbers 28-3378 to 28-7305361 inclusive, PA-28-235 with serial numbers 28-10720 to 28-7310127 inclusive, PA-28R-200 with serial numbers 28R-30482 to 28R-7335218 inclusive, and PA-28R-180.</p> <p>B - Used on PA-28-140 with serial numbers 28-20002 to 28-7325294 inclusive, PA-28-150, PA-28-160 and PA-28-180 with serial numbers 28-991 to 28-3377 inclusive, and PA-28-235 with serial numbers 28-10003 to 28-10719 inclusive.</p> <p>C - Used on PA-28-150, PA-28-160 and PA-28-180 airplanes only.</p> <p>D - Used on PA-28-140 airplanes only.</p> <p>E - Used on PA-28-140 with serial numbers 28-20002 to 28-7625030 inclusive, PA-28-150, PA-28-160, and PA-28-180, PA-28R-180, PA-28-235 with serial numbers 28-10003 to 28-7610020 inclusive, and PA-28R-200 with serial numbers 28R-30482, 28R-35001 to 28R-7635017 inclusive.</p> <p>F - Used on PA-28-140 with serial numbers 28-7625031 and up, PA-28-235 with serial numbers 28-7610021 and up, and PA-28R-200 with serial numbers 28R-7635018 and up.</p> <p>G - Used if .250 thick sound reduction windshield is installed.</p> <p>H - Used on PA-28-140 with serial numbers 28-7325295 and up, PA-28-180 with serial numbers 28-7305362 to 28-7505261 inclusive, PA-28R-200 with serial numbers 28R-7335219 and up, and PA-28-235 with serial numbers 28-7310128 and up.</p> <p>J - Used on PA-28-235 airplanes only.</p> <p>K - Used on PA-28-180 with serial numbers 28-4378 to 28-7505261 inclusive, PA-28-235 with serial numbers 28-11040 and up, PA-28R-180 and PA-28R-200.</p>		

When ordering, always specify Part Number, Description, and Serial Number of Aircraft

PIPER PARTS CATALOG

Figure and Index Number	Part Number	Code	NOMENCLATURE	No. Req.	SERIAL NUMBERS AFFECTED
12 -43	63293-002	A	PLATE - Striker	1	
-44	62475-000	C	CHANNEL - Upper center cockpit, left	1	
	65570-000	D	CHANNEL - Upper center cockpit, left	1	
	62475-001	C	CHANNEL - Upper center cockpit, right	1	
	65570-001	D	CHANNEL - Upper center cockpit, right	1	
-45	62639-000		CHANNEL - Upper center cockpit, left	1	
	62639-001		CHANNEL - Upper center cockpit, right	1	
-46	62638-000	F	STRINGER - Upper center cockpit, left	1	
	62638-001	F	STRINGER - Upper center cockpit, right	1	
	67291-000	G	STRINGER - Upper center cockpit, left	1	
	67291-001	G	STRINGER - Upper center cockpit, right	1	
-47	62504-000		GUSSET - Upper center cockpit	2	28-1 to 28-990 inclusive
	65117-000		GUSSET - Upper center cockpit, left	1	28-991 and up
	65116-000		GUSSET - Upper center cockpit, right	1	28-991 and up
-48	62677-000	B	STIFFENER - Left side, rear	1	
	62677-000	E	STIFFENER - Right side, rear	1	28-20095 and up
			A - Used on PA-28-140 with serial numbers 28-20002 to 28-7625030 inclusive, PA-28-150, PA-28-160, PA-28-180, PA-28R-180, PA-28-235 with serial numbers 28-10003 to 28-7610020 inclusive, and PA-28R-200 with serial numbers 28R-30482, 28R-35001 to 28R-7635017 inclusive.		
			B - Used on PA-28-140 with serial numbers 28-20095 and up, PA-28-180, PA-28R-180, PA-28R-200 and PA-28-235.		
			C - Used on PA-28-140 with serial numbers 28-20002 and up, PA-28-150, PA-28-160 and PA-28-180 with serial numbers 28-1 to 28-4377 inclusive, and PA-28-235 with serial numbers 28-10003 to 28-10719 inclusive.		
			D - Used on PA-28-180 with serial numbers 28-4378 to 28-7505261 inclusive, PA-28-235, PA-28R-180 and PA-28R-200.		
			E - Used on PA-28-140 airplanes only.		
			F - Used on PA-28-140 with serial numbers 28-20002 and up, PA-28-150, PA-28-160 and PA-28-180 with serial numbers 28-1 to 28-4377 inclusive, and PA-28-235 with serial numbers 28-10003 to 28-11039 inclusive.		
			G - Used on PA-28-180 with serial numbers 28-4378 to 28-7505261 inclusive, PA-28-235 with serial numbers 28-11040 and up, PA-28R-180 and PA-28R-200.		

When ordering, always specify Part Number, Description, and Serial Number of Aircraft

PIPER PARTS CATALOG

Figure and Index Number	Part Number	Code	NOMENCLATURE	No. Req.	SERIAL NUMBERS AFFECTED
12 -49	62640-000	C	SUPPORT - Rear, left	1	
	99421-000	H	SUPPORT - Rear, left	1	
	62641-000	B	SUPPORT - Front, left	1	
	62640-000	G	SUPPORT - Front, left	1	
	99421-000	H	SUPPORT - Front, left	1	
-50	62510-000	E	PAN ASSEMBLY - Lower, upper cockpit	1	
	76139-000	F	PAN ASSEMBLY - Lower, upper cockpit	1	
	76467-000	D	PAN ASSEMBLY - Lower, upper cockpit	1	
	79547-000	A	PAN ASSEMBLY - Lower, upper cockpit	1	28-7625031 and up
-51	62492-000	E	* PAN - Inboard	1	
	76467-003	D	* PAN - Inboard	1	
	79547-003	A	* PAN - Inboard	1	28-7625031 and up
-52	62493-000	E	* PAN - Outboard	1	
	76467-002	D	* PAN - Outboard	1	
	79547-002	A	* PAN - Outboard	1	28-7625031 and up

A - Used on PA-28-140 airplanes only.
 B - Used on PA-28-150, PA-28-160 and PA-28-180 with serial numbers 28-1 to 28-1760 inclusive, and PA-28-140 with serial numbers 28-20002 to 28-24999 inclusive.
 C - Used on PA-28-150, PA-28-160 and PA-28-180 with serial numbers 28-1 to 28-1760 inclusive, and 28-5601 to 28-5869 inclusive, PA-28-140 with serial numbers 28-20002 to 28-26956 inclusive, PA-28R-180 with serial numbers 28R-31251 to 28R-31279 inclusive, PA-28R-200 with serial numbers 28R-35601 to 28R-35830 inclusive, and PA-28-235 with serial number 28-11301 to 28-11393 inclusive.
 D - Used on PA-28-235 with serial number 28-7610021 and up, and PA-28R-200 with serial numbers 28R-7635018 and up.
 E - Used on PA-28-180 with serial numbers 28-671 to 28-7205328 inclusive, PA-28R-200 with serial numbers 28R-30482, 28R-35001 to 28R-7135238 inclusive, PA-28-235 with serial numbers 28-10003 to 28-7210033 inclusive, PA-28-140 with serial numbers 28-20002 to 28-7625030 inclusive, PA-28-150, PA-28-160 and PA-28R-180.
 F - Used on PA-28-180 with serial numbers 28-7305001 to 28-7505261 inclusive, PA-28-235 with serial numbers 28-7310001 to 28-7610020 inclusive, and PA-28R-200 with serial numbers 28R-7235001 to 28R-7635017 inclusive.
 G - Used on PA-28-140 with serial numbers 28-25000 to 28-26956 inclusive, PA-28-180 with serial numbers 28-5601 to 28-5869 inclusive, PA-28R-180 with serial numbers 28R-31251 to 28R-31279 inclusive, PA-28R-200 serial numbers 28R-35601 to 28R-35830 inclusive, and PA-28-235 with serial numbers 28-11301 to 28-11393 inclusive.
 H - Used on PA-28-140 with serial numbers 28-7125001 to 28-7325684 inclusive, PA-28R-180 with serial numbers 28R-7130001 to 28R-7130019 inclusive, PA-28-180 with serial numbers 28-7310001 to 28-7505261 inclusive, PA-28R-200 with serial numbers 28R-7135001 and up, and PA-28-235 with serial numbers 28-7110001 and up.

When ordering, always specify Part Number, Description, and Serial Number of Aircraft

PIPER PARTS CATALOG

Figure and Index Number	Part Number	Code	NOMENCLATURE	No. Req.	SERIAL NUMBERS AFFECTED
12 -53	76139-002	F	* PAN ASSEMBLY - Inboard and outboard, front	1	
-54	76139-003	F	* PAN ASSEMBLY - Inboard and outboard, rear	1	
-55	62656-000		* ANGLE ASSEMBLY - Door holder	1	
-56	62501-000	E,F	* CHANNEL - Door frame splice	1	
	76467-004		* CHANNEL - Door frame splice	1	
-57	76138-000	F	* CHANNEL - Pan upper cockpit	1	
-57a	79639-002	C	* PLATE - Door Latch	1	
-58	62644-000		WEB - Upper center fuselage, left	1	
-59	62637-000		CHANNEL - Fuselage rear, left	1	
-60	62635-000		CHANNEL - Baggage door frame, top, inner	1	
-61	62634-000	B	CHANNEL - Baggage door frame, top, inner	1	
-62	62636-000	B	CHANNEL - Baggage door frame, front	1	
-63	62631-000	G	GUSSET - Baggage door frame, top, rear	1	
	69269-000	B	GUSSET - Baggage door frame, top, rear	1	
	76279-000	D	GUSSET - Baggage door frame, top, rear	1	
-64	62632-000	A	GUSSET - Baggage door frame, top, front	1	
-65	62633-000	A	GUSSET - Baggage door frame, bottom, front	1	
			A - Used on PA-28-150, PA-28-160, PA-28-180, PA-28R-180, PA-28R-200 and PA-28-235.		
			B - Used on PA-28-180 with serial numbers 28-7305001 to 28-7305611 inclusive, PA-28-235 with serial numbers 28-11040 to 28-7310187 inclusive, and PA-28R-200 with serial numbers 28R-7235001 to 28R-7335455 inclusive.		
			C - Used on PA-28-140 with serial numbers 28-7625031 and up, PA-28-235 with serial numbers 28-7610021 and up, and PA-28R-200 with serial numbers 28R-7635018 and up.		
			D - Used on PA-28-180 with serial numbers 28-7405001 to 28-7505261 inclusive, PA-28-235 with serial numbers 28-7410001 and up, and PA-28R-200 with serial numbers 28R-7435001 and up.		
			E - Used on PA-28-180 with serial numbers 28-671 to 28-7205328 inclusive, PA-28R-200 with serial numbers 28R-30482, 28R-35001 to 28R-7135238 inclusive, PA-28-235 with serial numbers 28-10003 to 28-7210033 inclusive, PA-28-140 with serial numbers 28-20002 to 28-7625030 inclusive, PA-28-150, PA-28-160 and PA-28R-180.		
			F - Used on PA-28-180 with serial numbers 28-7305001 to 28-7505261 inclusive, PA-28-235 with serial numbers 28-7310001 to 28-7610020 inclusive, and PA-28R-200 with serial numbers 28R-7235001 to 28R-7635017 inclusive.		
			G - Used on PA-28R-200 with serial numbers 28R-30482, 28R-35001 to 28R-7135238 inclusive, PA-28-235 with serial numbers 28-10003 to 28-11039 inclusive, PA-28R-180 with serial numbers 28R-30005 to 28R-7130019 inclusive, PA-28-150, PA-28-160, PA-28-180 with serial numbers 28-1 to 28-7205328 inclusive.		

When ordering, always specify Part Number, Description, and Serial Number of Aircraft

PIPER PARTS CATALOG

Figure and Index Number	Part Number	Code	NOMENCLATURE	No. Req.	SERIAL NUMBERS AFFECTED
12 -66	62483-002		CHANNEL - Right door, front, Sta. 72.6	1	
-67	68229-004	F	CHANNEL - Armrest support	1	
-68	68274-000	B	CHANNEL - Armrest support	1	28-10720 to 28-11039 inclusive
	67318-000	E	CHANNEL - Armrest support	1	
-69	67267-000	C	CHANNEL - Support, left	1	
	67267-001	C	CHANNEL - Support, right	1	
-70	67268-000	H	ANGLE - Support, left	1	
	76261-000	D	ANGLE - Support, left	1	
	67268-001	H	ANGLE - Support, right	1	
	76261-001	D	ANGLE - Support, right	1	
-71	67292-000	H	ANGLE - Support, left	1	
	76262-000	D	ANGLE - Support, left	1	
	67292-000	G	ANGLE - Support, right	1	
-72	62419-011		HINGE HALF - Baggage door	1	
-73	62571-000	A	GUSSET - Baggage door frame, bottom, rear	1	
			A - Used on PA-28-150, PA-28-160, PA-28-180, PA-28R-180, PA-28R-200 and PA-28-235.		
			B - Used on PA-28-235 airplanes only.		
			C - Used on PA-28-180 with serial numbers 28-4378 to 28-7505261 inclusive, PA-28-235 with serial numbers 28-11040 and up, PA-28R-180 and PA-28R-200.		
			D - Used on PA-28-180 with serial numbers 28-7405001 to 28-7505261 inclusive, PA-28-235 with serial numbers 28-7410001 and up, and PA-28R-200 with serial numbers 28R-7435001 and up.		
			E - Used on PA-28-180 with serial numbers 28-4378 to 28-5600 inclusive, PA-28R-180 with serial numbers 28R-30005 to 28R-30481 inclusive, 28R-30483 to 28R-31250 inclusive, PA-28R-200 with serial numbers 28R-30482, 28R-35001 to 28R-35600 inclusive, and PA-28-235 with serial numbers 28-11040 to 28-11300 inclusive.		
			F - Used on PA-28-180 with serial numbers 28-4378 to 28-5600 inclusive, PA-28R-180 with serial numbers 28R-30005 to 28R-30481 inclusive, and 28R-30483 to 28R-31250 inclusive, PA-28R-200 with serial numbers 28R-30482, 28R-35001 to 28R-35600 inclusive, and PA-28-235 with serial numbers 28-10720 to 28-11300 inclusive.		
			G - Used on PA-28-180 with serial numbers 28-4378 to 28-7205328 inclusive, PA-28R-180 with serial numbers 28R-30005 to 28R-7130019 inclusive, and PA-28R-200 with serial numbers 28R-30482, 28R-35001 to 28R-7135238 inclusive.		
			H - Used on PA-28-180 with serial numbers 28-4378 to 28-7305611 inclusive, PA-28-235 with serial numbers 28-11040 to 28-7310187 inclusive, PA-28R-180 with serial numbers 28R-30005 to 28R-7130019 inclusive, and PA-28R-200 with serial numbers 28R-30482, and 28R-35001 to 28R-7335455 inclusive.		

When ordering, always specify Part Number, Description, and Serial Number of Aircraft

PIPER PARTS CATALOG

Figure and Index Number	Part Number	Code	NOMENCLATURE	No. Req.	SERIAL NUMBERS AFFECTED
12 -74	99690-000	A	CHANNEL - Upper cockpit, left	1	
	99686-000	B	CHANNEL - Upper cockpit, left	1	
	99690-001	A	CHANNEL - Upper cockpit, right	1	
	99686-001	B	CHANNEL - Upper cockpit, right	1	
-75	99692-000	A	DOUBLER - Shoulder harness, left	1	
	99692-001	A	DOUBLER - Shoulder harness, right	1	
	99688-000	B	DOUBLER - Shoulder harness, left	1	
	99688-001	B	DOUBLER - Shoulder harness, right	1	
	99741-000	A,B	GUSSET - Headliner attachment, left	1	
-76	99741-001	A,B	GUSSET - Headliner attachment, right	1	
	99691-000	A	CHANNEL - Upper cockpit, rear, left	1	
-77	99687-000	B	CHANNEL - Upper cockpit, rear, left	1	
	99691-001	A	CHANNEL - Upper cockpit, rear, right	1	
	99687-001	B,G	CHANNEL - Upper cockpit, rear, right	1	
	99693-000	A	DOUBLER - Shoulder harness, rear	2	
-78	99689-000	B,G	DOUBLER - Shoulder harness, rear	2	
	96866-000	C,D	PLATE - Striker, lower door latch	1	
-79	96873 000	F	PLATE - Striker, upper door latch	1	
-80	78123-000	E	PLATE - Striker, upper door latch	1	
			A - Used on PA-28-180 with serial numbers 28-7205001 to 28-7505261 inclusive, PA-28-235 with serial numbers 28-7210001 and up, and PA-28R-200 with serial numbers 28R-7235001 and up.		
			B - Used on PA-28-140 with serial numbers 28-7225001 and up.		
			C - Used on PA-28-140 with serial numbers 28-7325033 to 28-7625030 inclusive, PA-28-180 with serial numbers 28-7305001 to 28-7505261 inclusive, PA-28-235 with serial numbers 28-7310001 to 28-7610020 inclusive, and PA-28R-200 with serial numbers 28R-7235001 to 28R-7635017 inclusive.		
			D - Used on PA-28-140 with serial numbers 28-25000 to 28-7325032 inclusive, PA-28-180 with serial numbers 28-5428 to 28-7205328 inclusive, PA-28-235 with serial numbers 28-11186 to 28-7210033 inclusive, PA-28R-180 with serial numbers 28R-31251 to 28R-7130019 inclusive, and PA-28R-200 with serial numbers 28R-30482, 28R-35001 to 28R-7135238 inclusive if Lower Door Latch is installed.		
			E - Used on PA-28-180 with serial numbers 28-7405001 to 28-7505261 inclusive, PA-28-235 with serial numbers 28-7410001 to 28-7610020 inclusive, and PA-28R-200 with serial numbers 28R-7435001 to 28R-7635017 inclusive.		
			F - Used on PA-28-180 with serial numbers 28-7305001 to 28-7305611 inclusive, PA-28-235 with serial numbers 28-7310001 to 28-7310187 inclusive, and PA-28R-200 with serial numbers 28R-7235001 to 28R-7335455 inclusive.		
			G - For instructions on installing shoulder harnesses for the aft seats on PA-28 series aircraft manufactured between 1961 and 1972 without a third window installed, reference Piper Kit 765-382. Used in PA-28-140 with serial numbers 28-20000 to 28-7125641 inclusive, PA-28-150/160 with serial numbers 28-01 to 28-4377, PA-28-180 with serial numbers 28-671 to 28-4377 inclusive and PA-28-235 with serial numbers 28-10001 to 28-11039 inclusive.		

When ordering, always specify Part Number, Description, and Serial Number of Aircraft

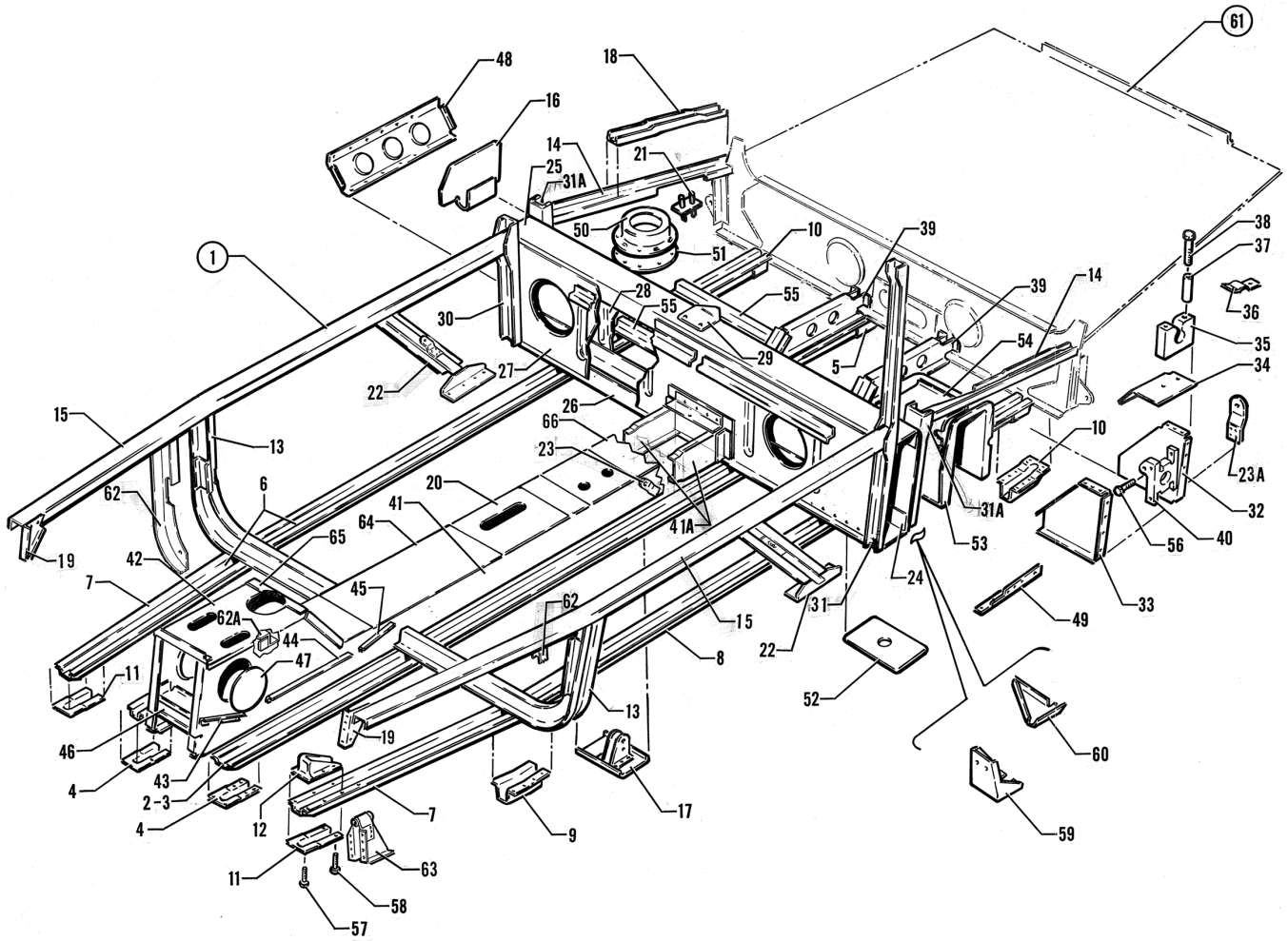


Figure 13. Lower Forward Cockpit Assembly

THIS PAGE INTENTIONALLY LEFT BLANK

PIPER PARTS CATALOG

Figure and Index Number	Part Number	Code	NOMENCLATURE	No. Req.	SERIAL NUMBERS AFFECTED
13 -1	62422-000	A	COCKPIT ASSEMBLY - Lower	1	28-1 to 28-1760 inclusive
	62315-000	A	COCKPIT ASSEMBLY - Lower	1	28-1761 to 28-2477 inclusive
	65600-000	A	COCKPIT ASSEMBLY - Lower	1	28-2478 to 28 4377 inclusive
	62422-014	B	COCKPIT ASSEMBLY - Lower	1	28-20002 to 28-20280 inclusive
	62314-000	B	COCKPIT ASSEMBLY - Lower	1	28-20281 to 28-24999 inclusive
	62314-003	B	COCKPIT ASSEMBLY - Lower	1	28-25000 to 28-26956 inclusive
	62314-006	B	COCKPIT ASSEMBLY - Lower	1	28-7125001 to 28-7125651 incl.
	62314-007	B	COCKPIT ASSEMBLY - Lower	1	28-7225001 to 28-7325684 incl.
	62314-008	B	COCKPIT ASSEMBLY - Lower	1	28-7425001 to 28-7625030 incl.
	79549-905	B	COCKPIT ASSEMBLY - Lower	1	28-7625031 and up
	65089-000	C	COCKPIT ASSEMBLY - Lower	1	28-10003 to 28-10486 inclusive
	65089-004	C	COCKPIT ASSEMBLY - Lower	1	28-10487 to 28-10675 inclusive
	65467-000	C	COCKPIT ASSEMBLY - Lower	1	28-10676 to 28-10719 inclusive
	65534-000	C	COCKPIT ASSEMBLY - Lower	1	28-10720 to 28-11 393 incl.
	65534-005	C	COCKPIT ASSEMBLY - Lower	1	28-7110001 to 28-7110042 incl.
	65534-006	C	COCKPIT ASSEMBLY - Lower	1	28-7210001 to 28-7210033 incl.
	76312-000	C	COCKPIT ASSEMBLY - Lower	1	28-7310001 to 28-7310187 incl.
	76312-002	C	COCKPIT ASSEMBLY - Lower	1	28-7410001 to 28-7610020 incl.
	76471-905	C	COCKPIT ASSEMBLY - Lower	1	28-7610021 and up
	67252-000	F	COCKPIT ASSEMBLY - Lower	1	
	67252-005	D	COCKPIT ASSEMBLY - Lower	1	
	76112-000	E	COCKPIT ASSEMBLY - Lower	1	28R-7235001 to 28R-7335455 incl.
	76112-007	E	COCKPIT ASSEMBLY - Lower	1	28R-7435001 to 28R-7635017 incl.
	67930-905	E	COCKPIT ASSEMBLY - Lower	1	28R-7635018 and up
	65600-002	G	COCKPIT ASSEMBLY - Lower	1	28-4378 to 28-5869 inclusive
	65600-003	G	COCKPIT ASSEMBLY - Lower	1	28-7105001 to 28-7105244 incl.
	65600-004	G	COCKPIT ASSEMBLY - Lower	1	28-7205001 to 28-7205328 incl.
76212-000	G	COCKPIT ASSEMBLY - Lower	1	28-7305001 to 28-7305611 incl.	
76212-003	G	COCKPIT ASSEMBLY - Lower	1	28-7405001 to 28-7505261 incl.	

- A - Used on PA-28-150, PA-28-160 and PA-28-180 airplanes only.
- B - Used on PA-28-140 airplanes only.
- C - Used on PA-28-235 airplanes only.
- D - Used on PA-28R-180 with serial numbers 28R-7130001 to 28R-7130019 inclusive, and PA-28R-200 with serial numbers 28R-7135001 to 28R-7135238 inclusive
- E - Used on PA-28R-200 airplanes only.
- F - Used on PA-28R-180 with serial numbers 28R-30005 to 28R-31279 inclusive, and PA-28R-200 with serial numbers 28R-30482, 28R-35001 to 28R-35830 inclusive.
- G - Used on PA 28-180 airplanes only.

When ordering, always specify Part Number, Description, and Serial Number of Aircraft

PIPER PARTS CATALOG

Figure and Index Number	Part Number	Code	NOMENCLATURE	No. Req.	SERIAL NUMBERS AFFECTED		
13 -2	62422-009	F,K	HAT ASSEMBLY - inboard, left	1	28-7625031 and up		
	79549-946	B	HAT ASSEMBLY - inboard, left	1			
	76112-004	H	HAT ASSEMBLY - Inboard, left	1			
	76469-946	G	HAT ASSEMBLY - inboard, left	1			
	62422-009	K	HAT ASSEMBLY - inboard, right	1			
	79549-946	B	HAT ASSEMBLY - inboard, right	1			
	67270-000	F	HAT ASSEMBLY - inboard, right	1			
	76116-000	J	HAT ASSEMBLY - inboard, right	1			
	76112-004	C	HAT ASSEMBLY - inboard, right	1			
	76469-946	G	HAT ASSEMBLY - inboard, right	1			
	-3	62527-040	E	* HAT		1	
		62221-000	D	* HAT		1	
		76114-000	A	* HAT		1	
				<p>A - Used on PA-28-180 with serial numbers 28-7305001 to 28-7505261 inclusive, PA-28-235 with serial numbers 28-7310001 and up, and PA-28R-200 with serial numbers 28R-7235001 and up.</p> <p>B - Used on PA-28-140 airplanes only.</p> <p>C - Used on PA-28-180 with serial numbers 28-7305001 to 28-7505261 inclusive, and PA-28-235 with serial numbers 28-7310001 and up.</p> <p>D - Used on PA-28-150, PA-28-160 and PA-28-180 with serial numbers 28-1601 to 28-7205328 inclusive, and PA-28-235 with serial numbers 28-10233 and up, PA-28-140 with serial numbers 28-20002 and up, PA-28R-180 with serial numbers 28R-30005 to 28R-7130019 inclusive, and PA-28R-200 with serial numbers 28R-30482, and 28R-35001 to 28R-7135238 inclusive.</p> <p>E - Used on PA-28-150, PA-28-160 and PA-28-180 with serial numbers 28-1 to 28-1600 inclusive, and PA-28-235 with serial numbers 28-10003 to 28-10232 inclusive.</p> <p>F - Used on PA-28R-180 with serial numbers 28R-30005 to 28R-31279 inclusive, and PA-28R-200 with serial numbers 28R-30482, 28R-35001 to 28R-35830 inclusive.</p> <p>G - Used on PA-28-235 with serial numbers 28-7610021 and up, PA-28R-200 with serial numbers 28R-7635018 and up.</p> <p>H - Used on PA-28-180 with serial numbers 28-7305001 to 28-7505261 inclusive, PA-28-235 with serial numbers 28-7310001 to 28-7610020 inclusive, and PA-28R-200 with serial numbers 28R-7235001 to 28R-7635017 inclusive.</p> <p>J - Used on PA-28R-200 airplanes only.</p> <p>K - Used on PA-28-150, PA-28-160 and PA-28-180 with serial numbers 28-1 to 28-7205328 inclusive, and PA-28-235 with serial numbers 28-10003 to 28-7210033 inclusive, and PA-28-140 with serial numbers 28-20002 to 28-7625030 inclusive.</p>			

When ordering, always specify Part Number, Description, and Serial Number of Aircraft

PIPER PARTS CATALOG

Figure and Index Number	Part Number	Code	NOMENCLATURE	No. Req.	SERIAL NUMBERS AFFECTED	
13 -4	62543-000		* FAIRING - Front, left	1		
	62543-002	J,O	* FAIRING - Front, left	1		
	62543-000	B,L,M	* FAIRING - Front, right	1		
	62543-002	J,N	* FAIRING - Front, right	1		
	67271-000	K	* FAIRING - Front, right (with jack pad fitting)	1		
-5	62554-000		* FAIRING - Rear	1		
-6	62422-010	A,D,E,F	HAT ASSEMBLY - Outboard, left	1		
	79549-947	B	HAT ASSEMBLY - Outboard, left	1		
	76112-005	C	HAT ASSEMBLY - Outboard, left	1		
	76469-947	G	HAT ASSEMBLY - Outboard, left	1		
	62422-011	A,D,E,F	HAT ASSEMBLY - Outboard, right	1		
	79549-948	B	HAT ASSEMBLY - Outboard, right	1		
	76112-006	C	HAT ASSEMBLY - Outboard, right	1		
	76469-948	G	HAT ASSEMBLY - Outboard, right	1		
	-7	62528-000		* HAT - Front, left	1	
		62528-001		* HAT - Front, right	1	
-8	62524-000	A,B,D,E	* HAT - Rear, left	1		
	76115-000	H	* HAT - Rear, left	1		
	62524-001	A,B,D,E	* HAT - Rear, right	1		
	76115-001	H	* HAT - Rear, right	1		
			A - Used on PA-28R-180 with serial numbers 28R-30005 to 28R-31279 inclusive, and PA-28R-200 with serial numbers 28R-30482, 28R-35001 to 28R-35830 inclusive.			
			B - Used on PA-28-140 airplanes only.			
			C - Used on PA-28-180 with serial numbers 28-7305001 to 28-7505261 inclusive, PA-28-235 with serial numbers 28-7310001 to 28-7610020 inclusive and PA-28R-200 with serial numbers 28R-7235001 to 28R-7635017 inclusive.			
			D - Used on PA-28-150, PA-28-160 and PA-28-180 with serial numbers 28-1 to 28-7205328 inclusive.			
			E - Used on PA-28-235 with serial numbers 28-10003 to 28-7210033 inclusive.			
			F - Used on PA-28-140 with serial numbers 28-20002 to 28-7625030 inclusive.			
			G - Used on PA-28-235 with serial numbers 28-7610021 and up, and PA-28R-200 with serial numbers 28R-7635018 and up.			
			H - Used on PA-28-180 with serial numbers 28-7305001 to 28-7505261 inclusive, PA-28-235 with serial numbers 28-7310001 and up, and PA-28R-200 with serial numbers 28R-7235001 and up.			
			J - Used if air conditioning is installed.			
			K - Used on PA-28R-180 and PA-28R-200 airplanes only.			
			L - Used on PA-28-150, PA-28-160 and PA-28-180 airplanes only.			
			M - Used on PA-28-235 airplanes only.			
			N - Used on PA-28-140 with serial numbers 28-7125472 and up, and PA-28-180 with serial numbers 28-7205092 to 28-7505261 inclusive.			
			O - Used on PA-28-140 with serial numbers 28-7125472 and up, PA-28-180 with serial numbers 28-7205092 to 28-7505261 inclusive, and PA-28R-200 with serial numbers 28R-7235001 and up.			

When ordering, always specify Part Number, Description, and Serial Number of Aircraft

PIPER PARTS CATALOG

Figure and Index Number	Part Number	Code	NOMENCLATURE	No. Req.	SERIAL NUMBERS AFFECTED
13 -9	62558-000		* FAIRING - Center, left	1	
	62558-001		* FAIRING - Center, right	1	
-10	62554-000		* FAIRING - Rear, left and right	2	
-11	62544-000		* FAIRING - Front, left	1	
	62544-001		* FAIRING - Front, right	1	
-12	62441-000		FITTING - Engine, lower, left	1	
	62441-001		FITTING - Engine, lower, right	1	
-13	62519-000	B,D,E,F	FRAME ASSEMBLY - Fuselage, Sta. 73.04	1	
	76126-000	A	FRAME ASSEMBLY - Fuselage, Sta. 73.04	1	
-14	62525-000		STRINGER - Rear of spar box, left	1	
	62525-001		STRINGER - Rear of spar box, right	1	
-15	62526-000		LONGERON - Lower cockpit, left	1	28-1 to 28-1760 inclusive
	62526-002	C	LONGERON - Lower cockpit, left	1	
	62526-001	G	LONGERON - Lower cockpit, right	1	
	76490-002	A	LONGERON - Lower cockpit, left	1	
	76490-003	A	LONGERON - Lower cockpit, right	1	
-16	62542-000		GUSSET - Lower cockpit, left	1	
	62542-001		GUSSET - Lower cockpit, right	1	
			<p>A - Used on PA-28-180 with serial numbers 28-7305001 to 28-7505261 inclusive, PA-28-235 with serial numbers 28-7310001 and up, and PA-28R-200 with serial numbers 28R-7235001 and up.</p> <p>B - Used on PA-28-140 airplanes only.</p> <p>C - Used on PA-28-140 with serial numbers 28-20002 and up, PA-28-150, PA-28-160 and PA-28-180 with serial numbers 28-1761 to 28-7205328 inclusive, PA-28-235 with serial numbers 28-10003 to 28-7210033 inclusive, PA-28R-180, and PA-28R-200 with serial numbers 28R-30482, 28R-35001 to 28R-7235330 inclusive.</p> <p>D - Used on PA-28-150, PA-28-160 and PA-28-180 with serial numbers 28-1 to 28-7205328 inclusive.</p> <p>E - Used on PA-28-235 with serial numbers 28-10003 to 28-7210033 inclusive.</p> <p>F - Used on PA-28R-180 with serial numbers 28R-30005 to 28R-7130019 inclusive, and PA-28R-200 with serial numbers 28R-30482, 28R-35001 to 28R-7135238 inclusive.</p> <p>G - Used on PA-28-140 with serial numbers 28-20002 and up, PA-28-150, PA-28-160 and PA-28-180 with serial numbers 28-1 to 28-7205328 inclusive, PA-28-235 with serial numbers 28-10003 to 28-7210033 inclusive, PA-28R-180, and PA-28R-200 with serial number 28R-30482, 28R-35001 to 28R-7235330 inclusive.</p>		

When ordering, always specify Part Number, Description, and Serial Number of Aircraft

PIPER PARTS CATALOG

Figure and Index Number	Part Number	Code	NOMENCLATURE	No. Req.	SERIAL NUMBERS AFFECTED	
13 -17	65636-000	C	BRACKET ASSEMBLY - Pulley mounting	1	28-10720 and up	
	65636-000	H,J	BRACKET ASSEMBLY - Pulley mounting	1		
-18	62551-000		CHANNEL - Lower cockpit, left	1		
	62551-001		CHANNEL - Lower cockpit, right	1		
-19	62581-000	B,C,K	BRACKET - Lower cockpit, right	1		
	62581-002	J	BRACKET - Lower cockpit, right	1		
	62581-001		BRACKET - Lower cockpit, left	1		
-20	62875-000	B,C,K	PLATE ASSEMBLY - Tunnel	1		
	67562-000	J	PLATE ASSEMBLY - Tunnel	1		
-21	63909-000	B	VENT ASSEMBLY - Battery	1		
-22	62686-000	D	HAT ASSEMBLY - Seat belt attachment, left	1	28-10003 to 28-7110042 incl.	
	62686-002	C	HAT ASSEMBLY - Seat belt attachment, left	1		
	62686-003	A,F	HAT ASSEMBLY - Seat belt attachment, left	1	28-20281 to 28-7125651 incl.	
	62686-003	B	HAT ASSEMBLY - Seat belt attachment, left	1		
	96890-000	G	HAT ASSEMBLY - Seat belt attachment, left	1		
	62686-001	E	HAT ASSEMBLY - Seat belt attachment, right	1		
	62686-004	A	HAT ASSEMBLY - Seat belt attachment, right	1		
	96890-001	G	HAT ASSEMBLY - Seat belt attachment, right	1		
	-23	62576-000	E	BRACKET - Seat belt attachment		2
		96887-002	G	BRACKET - Seat belt attachment, left		1
	-23a	96887-000	G	BRACKET - Seat belt attachment, right		1
		62576-000	E	BRACKET - Seat belt attachment		1
	79319-000	G	BRACKET - Seat belt attachment	1		
			<p>A - Used on PA-28R-180 with serial numbers 28R-30005 to 28R-7130019 inclusive, and PA-28R-200 with serial numbers 28R-30482, 28R-35001 to 28R-7135238 inclusive.</p> <p>B - Used on PA-28-140 airplanes only.</p> <p>C - Used on PA-28-235 airplanes only.</p> <p>D - Used on PA-28-150, PA-28-160 and PA-28-180 with serial numbers 28-1 to 28-1760 inclusive, and PA-28-140 with serial numbers 28-20002 to 28-20280 inclusive.</p> <p>E - Used on PA-28-140 with serial numbers 28-20002 to 28-7125651 inclusive, PA-28-150, PA-28-160 and PA-28-180 with serial numbers 28-1 to 28-7105244 inclusive, PA-28-235 with serial numbers 28-10003 to 28-7110042 inclusive, PA-28R-180 with serial numbers 28R-30005 to 28R-7130019 inclusive, and PA-28R-200 with serial numbers 28R-30482, 28R-35001 to 28R-7135238 inclusive.</p> <p>F - Used on PA-28-150, PA-28-160 and PA-28-180 with serial numbers 28-1761 to 28-7105244 inclusive.</p> <p>G - Used on PA-28-140 with serial numbers 28-7225001 and up, PA-28-180 with serial numbers 28-7205001 to 28-7505261 inclusive, PA-28-235 with serial numbers 28-7210001 and up, and PA-28R-200 with serial numbers 28R-7235001 and up.</p> <p>H - Used on PA-28-140 with serial numbers 28-7325001 and up, and PA-28-180 with serial numbers 28-4378 to 28-7505261 inclusive.</p> <p>J - Used on PA-28R-180 and PA-28R-200 airplanes only.</p> <p>K - Used on PA-28-150, PA-28-160 and PA-28-180 airplanes only.</p>			

When ordering, always specify Part Number, Description, and Serial Number of Aircraft

PIPER PARTS CATALOG

Figure and Index Number	Part Number	Code	NOMENCLATURE	No. Req.	SERIAL NUMBERS AFFECTED	
13 -24	62687-000	D	BOX ASSEMBLY - Spar, lower cockpit	1		
	62687-003	J	BOX ASSEMBLY - Spar, lower cockpit	1		
	66689-000	B	BOX ASSEMBLY - Spar, lower cockpit	1	28-25000 to 28-7125651 incl.	
	66689-003	B	BOX ASSEMBLY - Spar, lower cockpit	1	28-7225001 and up	
	62687-005	C	BOX ASSEMBLY - Spar, lower cockpit	1	28-10661 to 28-10719 inclusive	
	65536-000	C	BOX ASSEMBLY - Spar, lower cockpit	1	28-10720 to 28-11393 inclusive	
	67280-000	H	BOX ASSEMBLY - Spar, lower cockpit	1		
	99126-000	C	BOX ASSEMBLY - Spar, lower cockpit	1	28-7110001 to 28-7110042 incl.	
	99126-002	C	BOX ASSEMBLY - Spar, lower cockpit	1	28-7210001 and up	
	99127-000	K	BOX ASSEMBLY - Spar, lower cockpit	1	28-7105001 to 28-7105244 incl.	
	99127-002	K	BOX ASSEMBLY - Spar, lower cockpit	1	28-7205001 to 28-7505261 incl.	
	99129-000	E	BOX ASSEMBLY - Spar, lower cockpit	1		
	99129-002	F	BOX ASSEMBLY - Spar, lower cockpit	1	28R-7235001 and up	
	-25	62539-000		* CHANNEL - Spar box, top	1	
	-26	62540-000		* CHANNEL - Spar box, bottom	1	
	-27	62553-000	A	* WEB - Spar box, front	1	
		62553-000	B	* WEB - Spar box, front	1	28-20002 to 28-24999 inclusive
		66688-000	B	* WEB - Spar box, front	1	28-25000 and up
		62553-000	C	* WEB - Spar box, front	1	28-10003 to 28-10660 inclusive
		62553-002	C	* WEB - Spar box, front	1	28-10661 to 28-10719 inclusive
		65538-000	C	* WEB - Spar box, front	1	28-10720 to 28-7110042 incl.
		62553-000	C	* WEB - Spar box, front	1	28-7210001 and up
		67281-000	G	* WEB - Spar box, front	1	
		67281-002	F	* WEB - Spar box, front	1	28R-7235001 and up

- A - Used on PA-28-150, PA-28-160 and PA-28-180 airplanes only.
- B - Used on PA-28-140 airplanes only.
- C - Used on PA-28-235 airplanes only.
- D - Used on PA-28-150, PA-28-160 and PA-28-180 with serial numbers 28-1 to 28-1760 inclusive, and PA-28-140 with serial numbers 28-20002 to 28-20280 inclusive.
- E - Used on PA-28R-180 with serial numbers 28R-7130001 to 28R-7130019 inclusive, and PA-28R-200 with serial numbers 28R-7135001 to 28R-7135238 inclusive.
- F - Used on PA-28R-200 airplanes only.
- G - Used on PA-28R-180 with serial numbers 28R-30005 to 28R-7130019 inclusive, and PA-28R-200 with serial numbers 28R-30482, 28R-35001 to 28R-7135238 inclusive.
- H - Used on PA-28R-180 with serial numbers 28R-30005 to 28R-30481 inclusive, 28R-30483 to 28R-31279 inclusive, and PA-28R-200 with serial numbers 28R-30482, 28R-35001 to 28R-35830 inclusive.
- J - Used on PA-28-150, PA-28-160 and PA-28-180 with serial numbers 28-1761 to 28-5869 inclusive, PA-28-140 with serial numbers 28-20281 to 28-24999 inclusive, and PA-28-235 with serial numbers 28-10003 to 28-10660 inclusive.
- K - Used on PA-28-180 airplanes only.

When ordering, always specify Part Number, Description, and Serial Number of Aircraft

PIPER PARTS CATALOG

Figure and Index Number	Part Number	Code	NOMENCLATURE	No. Req.	SERIAL NUMBERS AFFECTED	
13 -28	62559-000	F	* WEB - Spar box, rear	1		
	99123-000	G	* WEB - Spar box, rear	1	28-7105001 and up	
	65537-000	C	* WEB - Spar box, rear	1	28-10720 to 28-11393 incl.	
	99122-000	C	* WEB - Spar box, rear	1	28-7110001 and up	
	67282-000	H	* WEB - Spar box, rear	1		
	67282-002	E	* WEB - Spar box, rear	1		
	-29	62668-000	B	* BRACKET - Flap return spring	1	
		99045-000	A	* BRACKET - Flap return spring	1	
	-30	62545 000	K	* CHANNEL - Spar box, right	1	
	-31	62546-000	J	* CHANNEL - Spar box, lower cockpit	1	
		68562-000	C	* CHANNEL - Spar box, lower cockpit	1	28-10720 and up
	-31a	62546-000	D	* CHANNEL - Spar box, left	1	
		62428-000		* CHANNEL - Spar box, left	1	
		62428-001		* CHANNEL - Spar box, right	1	
				<p>A - Used on PA-28-180 with serial numbers 28-7105001 to 28-7505261 inclusive, PA-28R-180 with serial numbers 28R-7130001 to 28R-7130019 inclusive, PA-28R-200 with serial numbers 28R-7135001 and up, PA-28-235 with serial numbers 28-7110001 and up.</p> <p>B - Used on PA-28-140 with serial numbers 28-20002 and up, PA-28-150, PA-28-160 and PA-28-180 with serial numbers 28-1 to 28-5869 inclusive, PA-28-235 with serial numbers 28-10003 to 28-11393 inclusive, PA-28R-180 with serial numbers 28R-30005 to 28R-30481 inclusive, 28R-30483 to 28R-31279 inclusive, and PA-28R-200 with serial numbers 28R-30482, and 28R-35001 to 28R-35830 inclusive.</p> <p>C - Used on PA-28-235 airplanes only.</p> <p>D - Used on PA-28R-180 and PA-28R-200 airplanes only.</p> <p>E - Used on PA-28R-180 with serial numbers 28R-7130001 to 28R-7130019 inclusive, and PA-28R-200 with serial numbers 28R-7135001 and up.</p> <p>F - Used on PA-28-140 with serial numbers 28-20002 and up, PA-28-150, PA-28-160 and PA-28-180 with serial numbers 28-1 to 28-5869 inclusive and PA-28-235 with serial numbers 28-10003 to 28-10719 inclusive.</p> <p>G - Used on PA-28-180 airplanes only.</p> <p>H - Used on PA-28R-180 with serial numbers 28R-30005 to 28R-30481 inclusive, 28R-30483 to 28R-31279 inclusive, and PA-28R-200 with serial numbers 28R-30482, 28R-35001 to 28R-35830 inclusive.</p> <p>J - Used on PA-28-140 with serial numbers 28-20002 and up, PA-28-150, PA-28-160 and PA-28-180 with serial numbers 28-1 to 28-7505261 inclusive, and PA-28-235 with serial numbers 28-10003 to 28-10719 inclusive.</p> <p>K - Used on PA-28-140, PA-28-150, PA-28-160, PA-28-180, PA-28-235, PA-28R-180 and PA-28R-200.</p>		

When ordering, always specify Part Number, Description, and Serial Number of Aircraft

PIPER PARTS CATALOG

Figure and Index Number	Part Number	Code	NOMENCLATURE	No. Req.	SERIAL NUMBERS AFFECTED
13 -32	62536-004		SUPPORT - Rear seat bottom, left	1	
	62536-005		SUPPORT - Rear seat bottom, right	1	
-33	62550-000		SUPPORT - Rear seat bottom, left	1	
	62550-001		SUPPORT - Rear seat bottom, right	1	
-34	62583-000		PLATE - Flap torque tube support, left	1	
	62583-001		PLATE - Flap torque tube support, right	1	
-35	62584-000	A	BLOCK - Rear seat support, left and right	2	28-1 to 28-1410 inclusive
	65050-000	B	BLOCK - Rear seat support, left and right	2	
-36	62585-000	A	CLIP - Rear seat support, left and right	2	28-1 to 28-1410 inclusive
-37	65003-003	B	BUSHING - Rear seat support	4	
-38	400-443	A	BOLT - (AN3-12A)	2	28-1 to 28-1410 inclusive
	400-451	B	BOLT - (AN3-20A)	2	
	690-657	A	WASHER - (NAS1149D0363H)	2	28-1 to 28-1410 inclusive
	690-612	B	WASHER - (NAS1149F0363P)	2	
	404-526		NUT - (MS21042-3)	2	
-39	62763-000		SUPPORT - Torque shaft center	2	
-40	62421-000		FITTING - Flap torque tube assembly, left	1	
	62421-001		FITTING - Flap torque tube assembly, right	1	
-41	62596-000	F	CHANNEL - Tunnel, side, left	1	
	62596-002	C	CHANNEL - Tunnel, side, left	1	
	67274-000	D	CHANNEL - Tunnel, side, left	1	
	76218-000	E	CHANNEL - Tunnel, side, left	1	
	62596-001	F	CHANNEL - Tunnel, side, right	1	
	62596-003	C	CHANNEL - Tunnel, side, right	1	
	67274-001	D	CHANNEL - Tunnel, side, right	1	
	76218-001	E	CHANNEL - Tunnel, side, right	1	
			A - Used on PA-28-150, PA-28-160 and PA-28-180 airplanes only.		
			B - Used on PA-28-150, PA-28-160 and PA-28-180 with serial numbers 28-1411 to 28-5869 inclusive, PA-28-235 with serial numbers 28-10003 to 28-11393 inclusive, PA-28R-180 serial numbers 28R-30005 to 28R-30481 inclusive, 28R-30483 to 28R-31279 inclusive, and PA-28R-200 with serial numbers 28R-30482, and 28R-35001 to 28R-35830 inclusive.		
			C - Used on PA-28-140 with serial numbers 28-7225001 and up, PA-28-180 with serial numbers 28-7205001 to 28-7205328 inclusive, and PA-28-235 with serial numbers 28-7210001 to 28-7210033 inclusive.		
			D - Used on PA-28R-180 with serial numbers 28R-30005 to 28R-7130019 inclusive, and PA-28R-200 with serial numbers 28R-30482, 28R-35001 to 28R-7135238 inclusive.		
			E - Used on PA-28-180 with serial numbers 28-7305001 to 28-7505261 inclusive, PA-28-235 with serial numbers 28-7310001 and up, and PA-28R-200 with serial numbers 28R-7235001 and up.		
			F - Used on PA-28-140 with serial numbers 28-20002 to 28-7125651 inclusive, PA-28-150, PA-28-160 and PA-28-180 with serial numbers 28-1 to 28-7105244 inclusive, and PA-28-235 with serial numbers 28-10003 to 28-7110042 inclusive.		

When ordering, always specify Part Number, Description, and Serial Number of Aircraft

PIPER PARTS CATALOG

Figure and Index Number	Part Number	Code	NOMENCLATURE	No. Req.	SERIAL NUMBERS AFFECTED
13 -41a	76119-000	J	CHANNEL - Tunnel, side extension, left	1	
	76119-001	J	CHANNEL - Tunnel, side extension, right	1	
-42	62601-000	A	PLATE - Tunnel, top front	1	28-1 to 28-1021 inclusive 28-1022 and up
	62601-003	B,C,E	PLATE - Tunnel, top front	1	
	67275-000	D	PLATE - Tunnel, top front	1	
-43	62603-000	B,C,E	ANGLE - Tunnel, heat duct, left	1	
	62603-001	B,C,E	ANGLE - Tunnel, heat duct, right	1	
-44	62604-000	F	ANGLE - Tunnel, heat duct, left	1	
	99418-000	H,K	ANGLE - Tunnel, heat duct, left	1	
	99417-000	J	ANGLE - Tunnel, heat duct, left	1	
	62604-001	F	ANGLE - Tunnel, heat duct, right	1	
	99418-001	H,K	ANGLE - Tunnel, heat duct, right	1	
-45	99417-000	J	ANGLE - Tunnel, heat duct, right	1	
	62605-000	F	ANGLE - Tunnel, heat duct	2	
	99417-000	G,K	ANGLE - Tunnel, heat duct	2	
			<p>A - Used on PA-28-150, PA-28-160 and PA-28-180 airplanes only.</p> <p>B - Used on PA-28-140 airplanes only.</p> <p>C - Used on PA-28-235 airplanes only.</p> <p>D - Used on PA-28R-180 and PA-28R-200 airplanes only.</p> <p>E - Used on PA-28-150, PA-28-160 and PA-28-180 with serial numbers 28-1022 to 28-7505261 inclusive.</p> <p>F - Used on PA-28-140 with serial numbers 28-20002 to 28-26956 inclusive, PA-28-150, PA-28-160 and PA-28-180 with serial numbers 28-1 to 28-5869 inclusive, PA-28-235 with serial numbers 28-10003 to 28-11393 inclusive, PA-28R-180 with serial numbers 28R-30005 to 28R-30481 inclusive, 28R-30483 to 28R-31279 inclusive, and PA-28R-200 with serial numbers 28R-30482, 28R-35001 to 28R-35830 inclusive.</p> <p>G - Used on PA-28-180 with serial numbers 28-7105001 to 28-7505261 inclusive, PA-28R-180 with serial numbers 28R-7130001 to 28R-7130019 inclusive, and PA-28R-200 with serial numbers 28R-7135001 and up, and PA-28-235 with serial numbers 28-7110001 and up.</p> <p>H - Used on PA-28-180 with serial numbers 28-7105001 to 28-7205328 inclusive, PA-28R-180 with serial numbers 28R-7130001 to 28R-7130019 inclusive, PA-28R-200 with serial numbers 28R-7135001 to 28R-7135238 inclusive, and PA-28-235 with serial numbers 28-7110001 to 28-7210033 inclusive.</p> <p>J - Used on PA-28-180 with serial numbers 28-7305001 to 28-7505261 inclusive, PA-28-235 with serial numbers 28-7310001 and up, and PA-28R-200 with serial numbers 28R-7235001 and up.</p> <p>K - Used on PA-28-140 with serial numbers 28-7125001 and up.</p>		

When ordering, always specify Part Number, Description, and Serial Number of Aircraft

PIPER PARTS CATALOG

Figure and Index Number	Part Number	Code	NOMENCLATURE	No. Req.	SERIAL NUMBERS AFFECTED
13 -46	62620-000	A,B,C	BRACKET- Pulley	2	
	67269-000	D	BRACKET ASSEMBLY - Pulley, bottom	1	28R-30005 to 28R-30878 incl.
	67269-002	D	BRACKET ASSEMBLY - Pulley, bottom	1	28R-30879 and up
	67276-000	D	BRACKET - Pulley, top	1	28R-30005 to 28R-30878 incl.
	67276-003	D	BRACKET - Pulley, top	1	28R-30879 and up
-47	12761-002		COVER ASSEMBLY - Inspection	2	
-48	65126-000	C	STIFFENER - Lower cockpit, right	1	
	65126-000	E	STIFFENER - Lower cockpit, right	1	
-49	65127-000	C	STIFFENER - Lower cockpit, left	1	
	65126-001	E	STIFFENER - Lower cockpit, left	1	
-50	65071-000	C	BASE ASSEMBLY - Fuel selector	1	
-51	65072-000	C	COVER ASSEMBLY - Fuel selector access	1	
-52	65077-000	C	COVER ASSEMBLY - Fuel pump access	1	28-10003 to 28-10719 inclusive
	65533-000	C	COVER ASSEMBLY - Fuel pump access	1	28-10720 and up
-53	65211-000	C	BOX ASSEMBLY - Fuel pump	1	28-10003 to 28-10062 inclusive
	65415-000	C	BOX ASSEMBLY - Fuel pump	1	28-10063 to 28-10719 inclusive
	65428-000	C	BOX ASSEMBLY - Fuel pump	1	28-10720 and up
-54	65212-000	C	COVER ASSEMBLY - Fuel pump	1	28-10003 to 28-10062 inclusive
	65414-000	C	COVER ASSEMBLY - Fuel pump box	1	28-10063 to 28-10719 inclusive
	65459-000	C	COVER - Fuel pump box	1	28-10720 and up
-55	62268-000	B	HAT ASSEMBLY - Battery box support, front	1	
	62268-002	B	HAT ASSEMBLY - Battery box support, rear	1	
-56	401-269		BOLT - Top forward (AN-10A)	2	
	401-266		BOLT - Bottom forward and rear (AN-5A)	6	
	690-657		WASHER - (NAS1149D0363H)	10	
	404-526		NUT - (MS21042-3)	8	
-57	415-322		BOLT - (MS27039-1-12)	4	
	690-657		WASHER - (NAS1149D0363H)	4	
	404-526		NUT - (MS21042-3)	4	
-58	415-323		BOLT - (MS27039-1-13)	8	
	690-657		WASHER - (NAS1149D0363H)	8	
	404-526		NUT - (MS21042-3)	8	
-59	67572-000	D	SUPPORT - Landing gear override	1	
-60	67574-000	D	SUPPORT - Diaphragm	1	

A - Used on PA-28-150, PA-28-160 and PA-28-180 airplanes only.
 B - Used on PA-28-140 airplanes only.
 C - Used on PA-28-235 airplanes only.
 D - Used on PA-28R-180 and PA-28R-200 airplanes only.
 E - Used on PA-28-180 with serial numbers 28-7305001 to 28-7505261 inclusive, and PA-28R-200 with serial numbers 28R-7235001 and up.

When ordering, always specify Part Number, Description, and Serial Number of Aircraft

PIPER PARTS CATALOG

Figure and Index Number	Part Number	Code	NOMENCLATURE	No. Req.	SERIAL NUMBERS AFFECTED	
13 -61	62660-000	E,G	* LOWER COCKPIT ASSEMBLY - Aft	1		
	62660-015	E,H	* LOWER COCKPIT ASSEMBLY - Aft	1	28-7205001 to 28-7205328 incl.	
	62660-012	C,E	* LOWER COCKPIT ASSEMBLY - Aft	1	28-10003 to 28-7110042 incl.	
	62660-016	E,F	* LOWER COCKPIT ASSEMBLY - Aft	1		
	76470-907	E,J	* LOWER COCKPIT ASSEMBLY - Aft	1		
	62277-000	B,E	* LOWER COCKPIT ASSEMBLY - Aft	1	28-20002 to 28-24999 inclusive	
	62277-002	B,E	* LOWER COCKPIT ASSEMBLY - Aft	1	28-25000 to 28-7125651 incl.	
	62277-003	B,E	* LOWER COCKPIT ASSEMBLY - Aft	1	28-7225001 to 28-7625030 incl.	
	79549-907	B,E	* LOWER COCKPIT ASSEMBLY - Aft	1	28-7625031 and up	
	-61a	62109-000	K	** COVER - Inspection access	2	
	-62	76120-000	A	* CHANNEL - Sta. 67.68, Left	1	
		76120-001	A	* CHANNEL - Sta. 67.68, right	1	
	-62a	62664-000		* ZEE ASSEMBLY - Tunnel	2	
	-63	79258-000	D	BRACKET ASSEMBLY - Rudder pedal stop, left	1	
		79258-001	D	BRACKET ASSEMBLY - Rudder pedal stop, right	1	
	-64	62599-000		PLATE - Tunnel, top, center rear	1	28-1 to 28-670 inclusive
		63287-000		PLATE - Tunnel, top, center rear	1	28-671 and up

A - Used on PA-28-180 with serial numbers 28-7305001 to 28-7505261 inclusive, PA-28R-200 with serial numbers 28R-7235001 and up, and PA-28-235 with serial numbers 28-7310001 and up.

B - Used on PA-28-140 airplanes only.

C - Used on PA-28-235 airplanes only.

D - Used on PA-28-140 with serial numbers 28-7425001 and up, PA-28-180 with serial numbers 28-7405001 to 28-7505261 inclusive, PA-28-235 with serial numbers 28-7410001 and up, and PA-28R-200 with serial numbers 28R-7435001 and up.

E - See Figure 14 for component parts.

F - Used on PA-28-180 with serial numbers 28-7305001 to 28-7505261 inclusive, PA-28-235 with serial numbers 28-7210001 to 28-7610020 inclusive, and PA-28R-200 with serial numbers 28R-7235001 to 28R-7635017 inclusive.

G - Used on PA-28-150, PA-28-160 and PA-28-180 with serial numbers 28-1 to 28-7105244 inclusive, PA-28R-180 with serial numbers 28R-30005 to 28R-7130019 inclusive, and PA-28R-200 with serial numbers 28R-30482, 28R-35001 to 28R-7135238 inclusive.

H - Used on PA-28-180 airplanes only.

J - Used on PA-28-235 with serial numbers 28-7610021 and up, and PA-28R-200 with serial numbers 28R-7635018 and up.

K - Reference Piper Service Bulletin 977, latest revision.

When ordering, always specify Part Number, Description, and Serial Number of Aircraft

PIPER PARTS CATALOG

Figure and Index Number	Part Number	Code	NOMENCLATURE	No. Req.	SERIAL NUMBERS AFFECTED
13 -65 -66	62600-00		PLATE - Tunnel, top, center front	1	28-1 to 28-670 inclusive
	63288-00	A,B,D	PLATE - Tunnel, top, center front	1	28-671 and up
	65409-00	C H	PLATE - Tunnel, top, center front	1	28-10003 to 28-10785 inclusive
	69095-00		PLATE - Tunnel, top, center front	1	28-10786 and up
	62597-00		PLATE - Tunnel, top rear	1	28-1 to 28-670 inclusive
	63286-00	G	PLATE - Tunnel, top rear	1	
	65634-00	F	PLATE - Tunnel, top rear	1	
	76121-00	E	PLATE - Tunnel, top rear	1	
			<p>A - Used on PA-28-150, PA-28-160 and PA-28-180 airplanes only.</p> <p>B - Used on PA-28-140 airplanes only.</p> <p>C - Used on PA-28-235 airplanes only.</p> <p>D - Used on PA-28R-180 and PA-28R-200 airplanes only.</p> <p>E - Used on PA-28-180 with serial numbers 28-7305001 to 28-7505261 inclusive, PA-28R-200 with serial numbers 28R-7235001 and up, and PA-28-235 with serial numbers 28-7310001 and up.</p> <p>F - Used on PA-28-140 with serial numbers 28-7325001 and up, PA-28-180 with serial numbers 28-4378 to 28-7205328 inclusive, PA-28R-180 with serial numbers 28R-30005 to 28R-7130019 inclusive, PA-28R-200 with serial numbers 28R-30482, 28R-35001 to 28R-7135238 inclusive, and PA-28-235 with serial numbers 28-10720 to 28-7210033 inclusive.</p> <p>G - Used on PA-28-150, PA-28-160 and PA-28-180 with serial numbers 28-671 to 28-4377 inclusive, PA-28-140 with serial numbers 28-20002 to 28-7225612 inclusive, and PA-28-235 with serial numbers 28-10003 to 28-10719 inclusive.</p> <p>H - No longer available. Order plate 69095-00 if Fuel Selector Control Modification Kit 760 681 has been installed per Service Bulletin 376. Order Fuel Selector Modification Kit 760 681 if Service Bulletin 376 has not been complied with.</p>		

When ordering, always specify Part Number, Description, and Serial Number of Aircraft

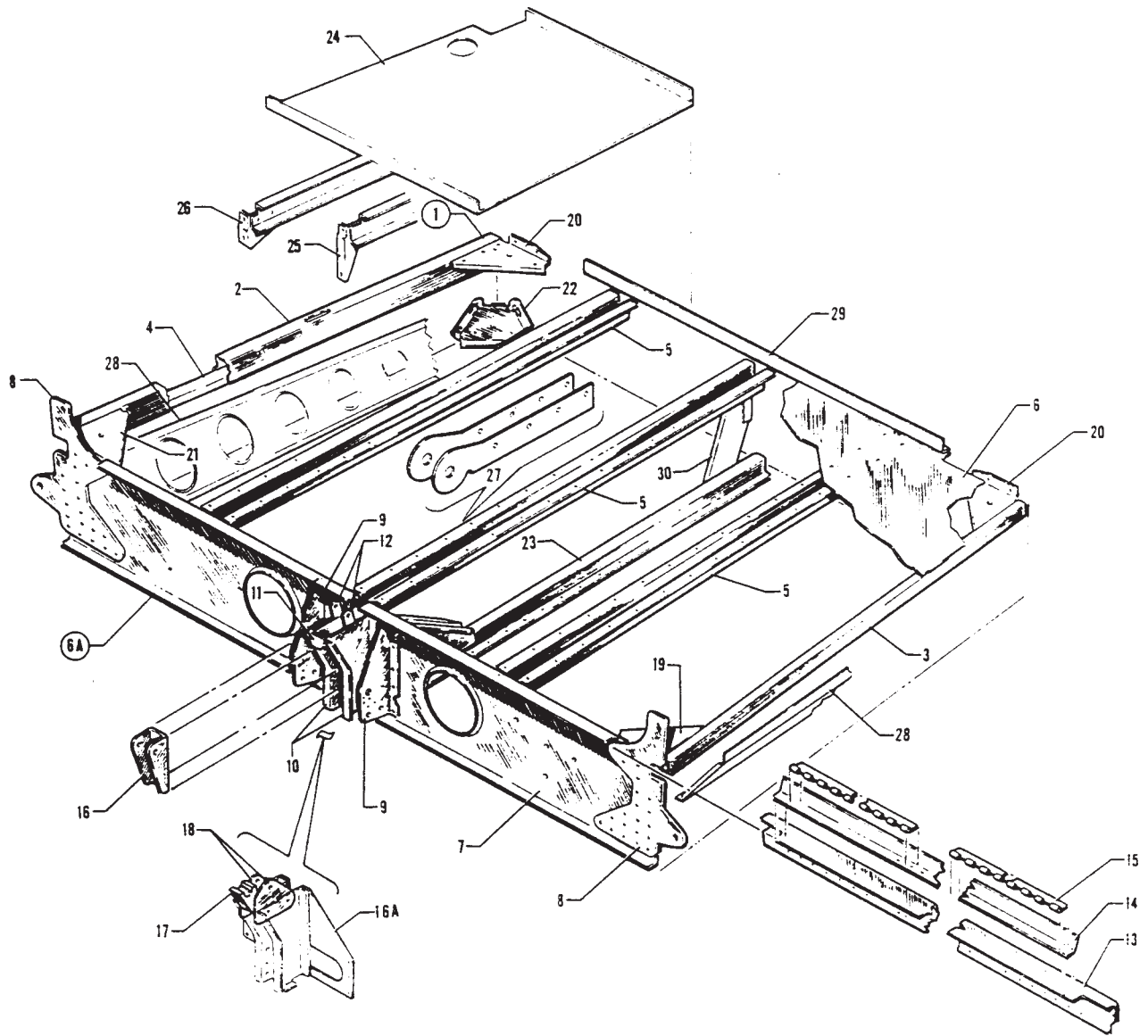


Figure 14. Lower Aft Cockpit Assembly

THIS PAGE INTENTIONALLY LEFT BLANK

PIPER PARTS CATALOG

Figure and Index Number	Part Number	Code	NOMENCLATURE	No. Req.	SERIAL NUMBERS AFFECTED	
14 -1	62660-000	J	LOWER COCKPIT ASSEMBLY - Aft	1		
	62660-015	K	LOWER COCKPIT ASSEMBLY - Aft	1	28-7205001 to 28-7205328 incl.	
	62660-012	B	LOWER COCKPIT ASSEMBLY - Aft	1	28-10003 to 28-7110042 incl.	
	62660-016	L	LOWER COCKPIT ASSEMBLY - Aft	1		
	62277-000	C	LOWER COCKPIT ASSEMBLY - Aft	1	28-20002 to 28-24999 inclusive	
	62277-002	C	LOWER COCKPIT ASSEMBLY - Aft,	1	28-25000 to 28-7125651 incl.	
	62277-003	C	LOWER COCKPIT ASSEMBLY - Aft	1	28-7225001 to 28-7625030 incl.	
	79549-907	C	LOWER COCKPIT ASSEMBLY - Aft	1	28-7625031 and up	
	76470-907	H	LOWER COCKPIT ASSEMBLY - Aft	1		
	-2	62535-000	A,B,E	* CHANNEL - Baggage compartment, right	1	
		66796-000	A,B,F	* CHANNEL - Baggage compartment, right	1	
		62660-008	C	* CHANNEL ASSEMBLY - Right	1	
	-3	62660-007	G	* STRINGER ASSEMBLY - Left	1	
		62537-000	D	* STRINGER ASSEMBLY - Left	1	
-4	62660-008	A,B	* CHANNEL ASSEMBLY - Right	1		
	62534-000	D	* CHANNEL - Right	1		
-5	62531-000	A,B	* HAT - Baggage floor	3		
-6	62530-000	A,B,E	* FLOOR - Baggage compartment	1		
	66795-000	A,B,F,M	* FLOOR ASSEMBLY - Baggage compartment	1		
	66795-002	A,B,F,M	** FLOOR - Baggage compartment	1		

A - Used on PA-28-150, PA-28-160, PA-28-180, PA-28R-180 and PA-28R-200 airplanes only.
 B - Used on PA-28-235 airplanes only.
 C - Used on PA-28-140 airplanes only.
 D - Used on PA-28-140 with serial numbers 28-7625031 and up, PA-28-235 with serial numbers 28-7610021 and up, and PA-28R-200 with serial numbers 28R-7635018 and up.
 E - Used if baggage door does not have push button latch.
 F - Used if baggage door has push button latch.
 G - Used on PA-28-140, PA-28-150, PA-28-160, PA-28-180, PA-28-235, PA-28R-180 and PA-28R-200 airplanes only.
 H - Used on PA-28-235 with serial numbers 28-7610021 and up, and PA-28R-200 with serial numbers 28R-7635018 and up.
 J - Used on PA-28-150, PA-28-160 and PA-28-180 with serial numbers 28-1 to 28-7105244 inclusive, PA-28R-180 with serial numbers 28R-30005 to 28R-7130019 inclusive, and PA-28R-200 with serial numbers 28R-30482, and 28R-35001 to 28R-7135238 inclusive.
 K - Used on PA-28-180 airplanes only.
 L - Used on PA-28-180 with serial numbers 28-7305001 to 28-7505261 inclusive, PA-28-235 with serial numbers 28-7210001 to 28-7610020 inclusive, and PA-28R-200 with serial numbers 28R-7235001 to 28R-7635017 inclusive.
 M - See latest revision of Piper Service Bulletin 977.

When ordering, always specify Part Number, Description, and Serial Number of Aircraft

PIPER PARTS CATALOG

Figure and Index Number	Part Number	Code	NOMENCLATURE	No. Req.	SERIAL NUMBERS AFFECTED
14 -6a	62695-003	B	* FRAME ASSEMBLY - Lower, Sta. 128.737	1	
	62695-004	A	* FRAME ASSEMBLY - Lower, Sta. 128.737	1	
	62263-000	C	* FRAME ASSEMBLY - Lower, Sta. 128.737	1	28-20002 to 28-24999 inclusive
	62263-002	C	* FRAME ASSEMBLY - Lower, Sta. 128.737	1	28-25000 to 28-7125651 incl.
	62263-003	C	* FRAME ASSEMBLY - Lower, Sta. 128.737	1	28-7225001 and up
-7	62411-000	B,G	** CHANNEL - Lower cockpit	1	
	62411-002	A,F	** CHANNEL - Lower cockpit	1	
-8	62448-002		** FITTING - Lower cockpit, left	1	
	62448-003		** FITTING - Lower cockpit, right	1	
-9	62563-000	C	** BRACKET - Lower cockpit, left	1	
	62563-002	H	** BRACKET - Lower cockpit, left	1	
	62563-001		** BRACKET - Lower cockpit, right	1	
-10	62567-000	B,G	** BRACKET - Rear seat belt support, left	1	
	99700-000	A	** BRACKET - Rear seat belt support, left	1	
	99700-002	F	** BRACKET - Rear seat belt support, left	1	
	62567-001	B,G	** BRACKET - Rear seat belt support, right	1	
	99700-001	A	** BRACKET - Rear seat belt support, right	1	
-11	99700-003	F	** BRACKET - Rear seat belt support, right	1	
	62570-000	B	** BAR - Support	1	
	65054-000	E	** LINK - Seat support, center	2	
-13	62258-000	C	** STIFFENER - Lower cockpit frame	1	28-20002 to 28-7125651 incl.
	62258-002	C	** STIFFENER - Lower cockpit frame	1	28-7225001 and up
-14	62261-000	C	** ANGLE - Lower cockpit frame	1	
-15	62262-000	C	** HINGE HALF - Baggage floor	2	
-16	65511-000	C,D	** CHANNEL ASSEMBLY - Seat belt tie down	1	28-20910 and up
-16a	99701-000	A	** DOUBLER - Seat belt attachment	1	
-17	62568-000		* BLOCK - Seat support, center	1	28-1 to 28-1410 inclusive
-18	62569-000		* PLATE - Seat support block, center	2	28-1 to 28-1410 inclusive

A - Used on PA-28-180 with serial numbers 28-7205001 to 28-7505261 inclusive, PA-28-235 with serial numbers 28-7210001 and up, and PA-28R-200 with serial numbers 28R-7235001 and up.

B - Used on PA-28-150, PA-28-160 and PA-28-180 with serial numbers 28-1 to 28-7105244 inclusive, PA-28-235 with serial numbers 28-10003 to 28-7110042 inclusive, PA-28R-180 with serial numbers 28R-30005 to 28R-7130019 inclusive, and PA-28R-200 with serial numbers 28R-30482, 28R-35001 to 28R-7135238 inclusive.

C - Used on PA-28-140 airplanes only.

D - Used on PA-28-140 with serial numbers 28-20002 to 28-20909 inclusive if Kit 756-962 has been installed.

E - Used on PA-28-150, PA-28-160 and PA-28-180 with serial numbers 28-1411 to 28-7105244 inclusive, PA-28-235 with serial numbers 28-10003 to 28-7110042 inclusive, PA-28R-180 with serial numbers 28R-30005 to 28R-7130019 inclusive, and PA-28R-200 with serial numbers 28R-30482, 28R-35001 to 28R-7135238 inclusive.

F - Used on PA-28-140 with serial numbers 28-7225001 and up.

G - Used on PA-28-140 with serial numbers 28-20002 to 28-7125651 inclusive.

H - Used on PA-28-150, PA-28-160, PA-28-180, PA-28-235, PA-28R-180 and PA-28R-200 airplanes only.

When ordering, always specify Part Number, Description, and Serial Number of Aircraft

PIPER PARTS CATALOG

Figure and Index Number	Part Number	Code	NOMENCLATURE	No. Req.	SERIAL NUMBERS AFFECTED
14 -19	62529-000	H,J	* BRACKET - Baggage compartment	1	
-20	62618-000	H,J	* BRACKET - Baggage compartment, left	1	
	62618-001	H,J	* BRACKET - Baggage compartment, right	1	
-21	62619-000	H,J	* BRACKET - Baggage compartment, right	1	
-22	65382-000	A,C	* DOUBLER ASSEMBLY - Step	1	
	65383-000	B	* DOUBLER ASSEMBLY - Step	1	
-23	65506-000	C,D	* SUPPORT ASSEMBLY - Seat belt tie down	1	28-20910 to 28-7125651 incl.
	65506-002	C	* SUPPORT ASSEMBLY - Seat belt tie down	1	28-7225001 and up
-24	66730-000	C	* SHELF ASSEMBLY - Electronics	1	28-25000 and up
-25	66728-000	C	** ANGLE - Electronics shelf	1	28-25000 and up
-26	66729-000	C	** ANGLE - Electronics shelf	1	28-25000 and up
-27	99699-000	E	* CHANNEL - Seat belt attachment	1	
-28	65128-000	B	* DOUBLER - Baggage compartment, left	1	
	65128-001	B	* DOUBLER - Baggage compartment, right	1	
-29	62859-000	G	ANGLE - Lower cockpit	1	
-30	79119-000	C,F	BRACKET ASSEMBLY - Sta. 156	1	28-7325001 and up
<p>A - Used on PA-28R-180 with serial numbers 28R-30005 to 28R-7130019 inclusive, PA-28R-200 with serial numbers 28R-30482, 28R-35001 to 28R-7135238 inclusive, PA-28-150, PA-28-160 and PA-28-180 with serial numbers 28-1 to 28-7205328 inclusive.</p> <p>B - Used on PA-28-235 with serial numbers 28-10003 and up, PA-28-180 with serial numbers 28-7305001 to 28-7505261 inclusive, and PA-28R-200 with serial numbers 28R-7235001 and up.</p> <p>C - Used on PA-28-140 airplanes only.</p> <p>D - Used on PA-28-140 with serial numbers 28-20002 to 28-20909 inclusive if Kit 756 962 has been installed.</p> <p>E - Used on PA-28-180 with serial numbers 28-7205001 to 28-7505261 inclusive, PA-28-235 with serial numbers 28-7210001 and up, and PA-28R-200 with serial numbers 28R-7235001 and up.</p> <p>F - Used if electric trim is installed.</p> <p>G - Used on PA-28-150, PA-28-160 and PA-28-180 with serial numbers 28-1 to 28-5600 inclusive, PA-28-235 with serial numbers 28-10003 to 28-10719 inclusive, PA-28R-180 and PA-28R-200.</p> <p>H - Used on PA-28-150, PA-28-160, PA-28-180, PA-28R-180 and PA-28R-200 airplanes only.</p> <p>J - Used on PA-28 -235 airplanes only.</p>					

When ordering, always specify Part Number, Description, and Serial Number of Aircraft

THIS PAGE INTENTIONALLY LEFT BLANK

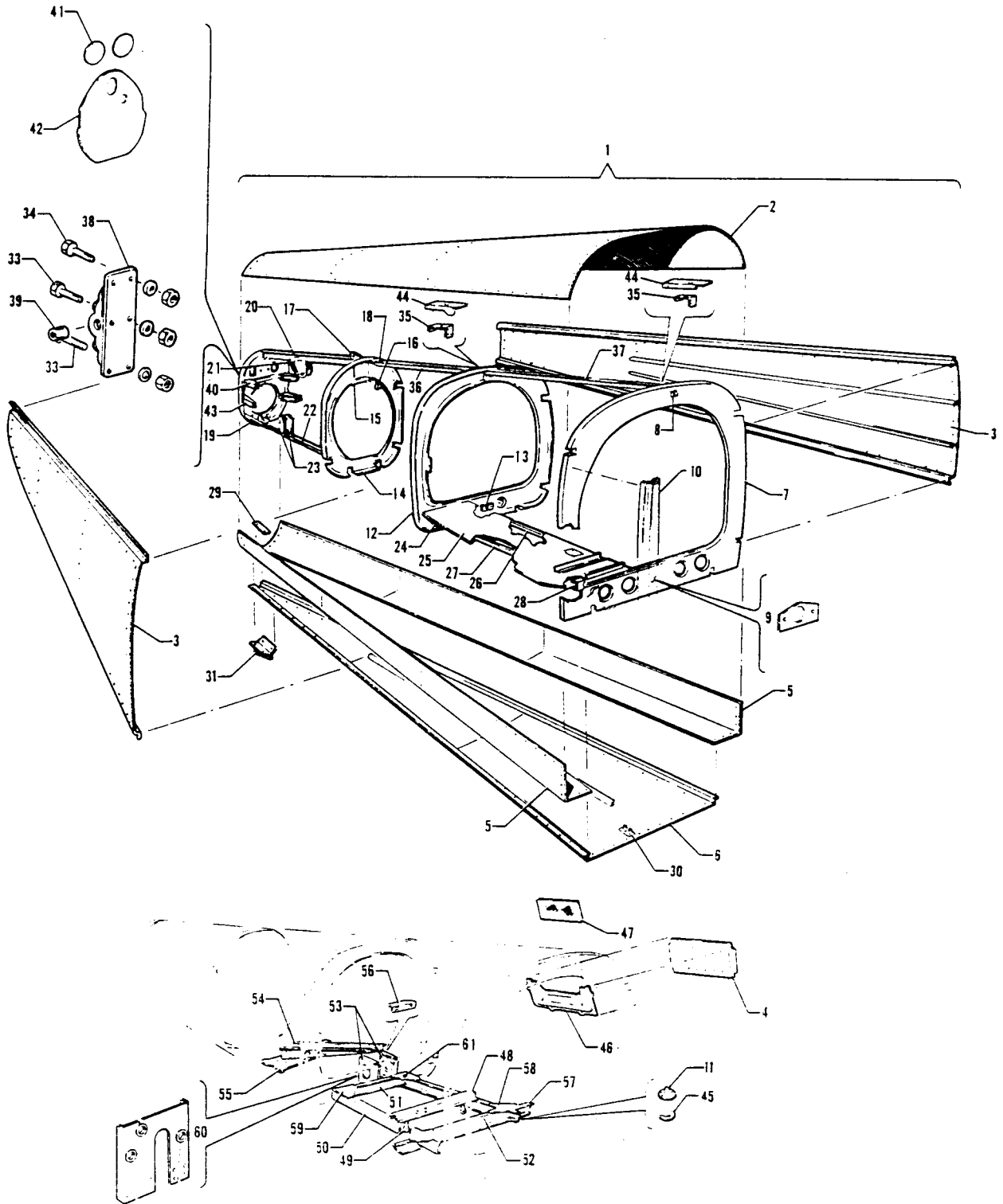


Figure 15. Fuselage Aft Section

THIS PAGE INTENTIONALLY LEFT BLANK

PIPER PARTS CATALOG

Figure and Index Number	Part Number	Code	NOMENCLATURE	No. Req.	SERIAL NUMBERS AFFECTED
15-	99466		DRAWING - Fuselage assembly, Aft Section		
-1	99466-000	A	FUSELAGE ASSEMBLY - Aft section	1	28-1 to 28-4377 inclusive
	99466-002	B	FUSELAGE ASSEMBLY - Aft section	1	28-10003 to 28-10719 inclusive
	99466-003	B	FUSELAGE ASSEMBLY - Aft section	1	28-10720 to 28-11039 inclusive
	99466-004	C	FUSELAGE ASSEMBLY - Aft section	1	28-20002 to 28-7325684 incl.
	99466-012	C,F	FUSELAGE ASSEMBLY - Aft section	1	28-25001, 28-7125472 to 28-7325684 inclusive
	99466-009	C	FUSELAGE ASSEMBLY - Aft section	1	28-7425001 and up
	99466-013	C,F	FUSELAGE ASSEMBLY - Aft section	1	28-7425001 and up
	99466-005	E	FUSELAGE ASSEMBLY - Aft section	1	
	99466-014	F,L	FUSELAGE ASSEMBLY - Aft section	1	28-5653, 28-7205092 to 28-7305611 inclusive
	99466-016	D,F	FUSELAGE ASSEMBLY - Aft section	1	28R-7235001 to 28R-7335455 incl.
	99466-010	K	FUSELAGE ASSEMBLY - Aft section	1	
	99466-015	F,L	FUSELAGE ASSEMBLY - Aft section	1	28-7405001 and up
	99466-017	D,F	FUSELAGE ASSEMBLY - Aft section	1	28R-7435001 and up
-2	99468-000	G	* SKIN - Upper	1	
	99468-003	H,K	* SKIN - Upper	1	
-3	99470-000		* SKIN ASSEMBLY - Side, left	1	
	99470-001		* SKIN ASSEMBLY - Side, right	1	
	99549-008	F,J	* SKIN ASSEMBLY - Side, left	1	
	99549-007	F,J	* SKIN ASSEMBLY - Side, right	1	
<p>A - Used on PA-28-150, PA-28-160 and PA-28-180 airplanes only. B - Used on PA-28-235 airplanes only. C - Used on PA-28-140 airplanes only. D - Used on PA-28R-200 airplanes only. E - Used on PA-28-180 with serial numbers 28-4378 to 28-7305611 inclusive, PA-28-235 with serial numbers 28-11040 to 28-7310187 inclusive, PA-28R-180 with serial numbers 28R-30005 to 28R-7130019 inclusive, and PA-28R-200 with serial numbers 28R-30482, 28R-35001 to 28R-7335455 inclusive. F - Used if air conditioning is installed. G - Used on PA-28-140 with serial numbers 28-20002 to 28-7325684 inclusive, PA-28-150, PA-28-160 and PA-28-180 with serial numbers 28-1 to 28-7305611 inclusive, PA-28-235 with serial numbers 28-10003 to 28-7310187 inclusive, PA-28R-180 with serial numbers 28R-30005 to 28R-7130019 inclusive, and PA-28R-200 with serial numbers 28R-30482, and 28R-35001 to 28R-7335455 inclusive. H - Used on PA-28-140 with serial numbers 28-7425001 and up. J - Used on PA-28-140 with serial numbers 28-25001, 28-7125472 and up, PA-28-180 with serial numbers 28-5653, 28-7225092 to 28-7505261 inclusive, and PA-28R-200 with serial numbers 28R-7235001 and up. K - Used on PA-28-180 with serial numbers 28-7405001 to 28-7505261 inclusive, PA-28-235 with serial numbers 28-7410001 and up, and PA-28R-200 with serial numbers 28R-7435001 and up. L - Used on PA-28-180 airplanes only.</p>					

When ordering, always specify Part Number, Description, and Serial Number of Aircraft

PIPER PARTS CATALOG

Figure and Index Number	Part Number	Code	NOMENCLATURE	No. Req.	SERIAL NUMBERS AFFECTED
15 -4	99559-000	A,J	* LOUVER - Air conditioning exhaust, left	1	
	99559-001	A,J	* LOUVER - Air conditioning exhaust, right	1	
-5	99471-000	E	SKIN - lower side, left	1	
	99471-002	G,H,L	SKIN - lower side, left	1	
	99471-001	E	SKIN - lower side, right	1	
	99471-003	G,H,L	SKIN - lower side, right	1	
-6	99469-004		SKIN ASSEMBLY - lower center	1	
	99549-009	A,B	SKIN ASSEMBLY - lower center	1	
-7	62442-000	C	BULKHEAD ASSEMBLY - Fuselage, Sta. 156.00	1	
	65640-000	D	BULKHEAD ASSEMBLY - Fuselage, Sta. 156.00	1	
	62442-004	E	BULKHEAD ASSEMBLY - Fuselage, Sta. 156.00	1	
-8	62658-000	K	* FAIRLEAD	1	
-9	62665-002		* FAIRLEAD	4	
-10	62630-000		* CHANNEL - Baggage door, right	1	
-11	99609-000	F	VENT ASSEMBLY - Evaporator	1	
-12	62443-000		BULKHEAD ASSEMBLY - Fuselage, Sta. 191.00	1	
-13	62662-000		FAIRLEAD	1	
			A - Used if air conditioning is installed.		
			B - Used on PA-28-140 with serial numbers 28-7125472 and up, PA-28-180 with serial numbers 28-7205092 to 28-7505261 inclusive, and PA-28R-200 with serial numbers 28R-7235001 and up.		
			C - Used on PA-28-150, PA-28-160 and PA-28-180 with serial numbers 28-1 to 28-4377 inclusive, and PA-28-235 with serial numbers 28-10003 to 28-10719 inclusive.		
			D - Used on PA-28-235 with serial numbers 28-10720 and up, PA-28-180 with serial numbers 28-4378 to 28-7505261 inclusive, PA-28R-180 and PA-28R-200 airplanes.		
			E - Used on PA-28-140 airplanes only.		
			F - Used on PA-28-140 with serial numbers 28-25001, 28-7125472 and up, PA-28-180 with serial numbers 28-5653, 28-7205092 to 28-7505261 inclusive, and PA-28R-200 with serial numbers 28R-7235001 and up if air conditioning is installed.		
			G - Used on PA-28R-180 and PA-28R-200 airplanes only.		
			H - Used on PA-28-235 airplanes only.		
			J - Used on PA-28-140 with serial numbers 28-25001, 28-7125472 and up, PA-28-180 with serial numbers 28-5653, 28-7225092 to 28-7505261 inclusive, and PA-28R-200 with serial numbers 28R-7235001 and up.		
			K - Used on PA-28-150, PA-28-160 and PA-28-180 with serial numbers 28-1 to 28-4377 inclusive, PA-28-140 with serial numbers 28-20002 to 28-7225612 inclusive, and PA-28-235 with serial numbers 28-10003 to 28-10719 inclusive.		
			L - Used on PA-28-150, PA-28-160 and PA-28-180 airplanes only.		

When ordering, always specify Part Number, Description, and Serial Number of Aircraft

PIPER PARTS CATALOG

Figure and Index Number	Part Number	Code	NOMENCLATURE	No. Req.	SERIAL NUMBERS AFFECTED
15 -14	62444-003	E,G	BULKHEAD ASSEMBLY - Fuselage, Sta. 228.30	1	
	62444-005	F,H	BULKHEAD ASSEMBLY - Fuselage, Sta. 228.30	1	
-15	62753-000		* BRACKET - Stabilator trim	1	
-16	62817-000	E,G	* BRACKET - Stabilator trim indicator pulley	1	
-17	62453-000		* FITTING - Frame, Sta. 228.30	1	
-18	66955-000	E,G	* DOUBLER - Frame, top, Sta. 228.30	1	
	79272-000	F,H	* DOUBLER - Frame, top, Sta. 228.30	1	
-19	62445-000		BULKHEAD ASSEMBLY - Fuselage, Sta. 255.125	1	
-20	62451-000		STRINGER ASSEMBLY - Hat section	1	
-21	62452-000		* BRACKET - Stabilator pulley, left	1	
	62452-001		* BRACKET - Stabilator pulley, right	1	
-22	62455-000		STRINGER ASSEMBLY - Hat section	1	
-23	62457-000		* BRACKET - Stabilator pulley, left	1	
	62457-001		* BRACKET - Stabilator pulley, right	1	
-24	62696-003	C	SHELF ASSEMBLY - Battery	1	
	65558-000	B	SHELF ASSEMBLY - Battery	1	28-10720 to 28-11039 inclusive
	67367-000	D	SHELF ASSEMBLY - Battery	1	
-25	62702-000	C	* WEB - Battery shelf	1	
	65557-000	B	* WEB - Battery shelf	1	28-10720 to 28-11039 inclusive
	79453-000	D	* WEB - Battery shelf	1	
-26	62463-000	A	* CHANNEL - Battery shelf, inboard	1	
-27	62464-000	A	* CHANNEL - Battery shelf, outboard	1	
-28	62465-000	A	* CHANNEL - Battery shelf, front	2	
-29	62471-000		SPACER - Tail skid	2	
-30	63947-000	A	VENT ASSEMBLY - Battery	1	
-31	66769-000		SKID ASSEMBLY - Tail	1	

A - Used on PA-28-150, PA-28-160, PA-28-180, PA-28-235, PA-28R-180 and PA-28R-200 airplanes only.
 B - Used on PA-28-235 airplanes only.
 C - Used on PA-28-150, PA-28-160 and PA-28-180 with serial numbers 28-1 to 28-4377 inclusive, and PA-28-235 with serial numbers 28-10003 to 28-10719 inclusive.
 D - Used on PA-28-180 with serial numbers 28-4378 to 28-7505261 inclusive, PA-28-235 with serial numbers 28-11040 and up, PA-28R-180 and PA-28R-200 airplanes.
 E - Used on PA-28-150, PA-28-160 and PA-28-180 with serial numbers 28-1 to 28-7305611 inclusive, PA-28-235 with serial numbers 28-10003 to 28-7310187 inclusive, PA-28R-180 with serial numbers 28R-30005 to 28R-7130019 inclusive, and PA-28R-200 with serial numbers 28R-30482, 28R-35001 to 28R-7335455 inclusive.
 F - Used on PA-28-180 with serial numbers 28-7405001 to 28-7505261 inclusive, PA-28-235 with serial numbers 28-7410001 and up, and PA-28R-200 with serial numbers 28R-7435001 and up.
 G - Used on PA-28-140 with serial numbers 28-20002 to 28-7325684 inclusive.
 H - Used on PA-28-140 with serial numbers 28-7425001 and up.

When ordering, always specify Part Number, Description, and Serial Number of Aircraft

PIPER PARTS CATALOG

Figure and Index Number	Part Number	Code	NOMENCLATURE	No. Req.	SERIAL NUMBERS AFFECTED
15 -32	-----		DELETED		
-33	402-897		BOLT - (NAS464P3A4)	8	
	690-612		WASHER - (NAS1149F0363P)	12	
	690-609		WASHER - (NAS1149F0332P)	8	
	404-556		NUT - (MS21045-L3)	8	
-34	402-890		BOLT - (NAS464P3A5)	4	
	690-612		WASHER - (NAS1149F0363P)	4	
	690-609		WASHER - (NAS1149F0332P)	4	
	484-556		NUT - (MS21045-L3)	4	
-35	65343-000		CUP - Antenna mount	2	
-36	66974-000	E	STRINGER - Top, Sta. 191 to Sta. 228.30	1	
	79267-000	D	STRINGER - Top, Sta. 191 to Sta. 228.30	1	
-37	65114-000	C	STRINGER - Top, Sta. 156 to Sta. 191	1	
-38	62645-000	G	FITTING ASSEMBLY - Stabilator attachment	2	
	62645-004	F	FITTING ASSEMBLY - Stabilator attachment	2	
-39	452-394		* BEARING - (DW4K2)	2	
-40	62413-000		FITTING ASSEMBLY - Upper, left	1	
	62413-001		FITTING ASSEMBLY - Upper, right	1	
-41	63078-008	A	DISC - Closeout	2	
-42	65494-000	A	PLATE ASSEMBLY - Aft fuselage closeout	1	
-43	62414-000		FITTING ASSEMBLY - lower, left	1	
	62414-001		FITTING ASSEMBLY - lower, right	1	
-44	99813-002		DOUBLER - Antenna mount, Forward	1	
	99805-003		DOUBLER - Antenna mount, aft	1	
<p>A - Used on PA-28-235 with serial numbers 28-10720 and up, PA-28-140, PA-28-150, PA-28-160, PA-28-180, PA-28R-180 and PA-28R-200 airplanes only.</p> <p>B - Used on PA-28-150, PA-28-160, PA-28-180, PA-28-235, PA-28R-180 and PA-28R-200 airplanes only.</p> <p>C - Used on PA-28-140 with serial numbers 28-7425001 and up, PA-28-150, PA-28-160, PA-28-180, PA-28-235, PA-28R-180 and PA-28R-200 airplanes only.</p> <p>D - Used on PA-28-140 with serial numbers 28-7425001 and up, PA-28-180 with serial numbers 28-7405001 to 28-7505261 inclusive, PA-28-235 with serial numbers 28-7410001 and up, and PA-28R-200 with serial numbers 28R-7435001 and up.</p> <p>E - Used on PA-28-150, PA-28-160 and PA-28-180 with serial numbers 28-1 to 28-7305611 inclusive, PA-28-235 with serial numbers 28-10003 to 28-7310187 inclusive, PA-28R-180 with serial numbers 28R-30005 to 28R-7130019 inclusive, and PA-28R-200 with serial numbers 28R-30482, 28R-35001 to 28R-7335455 inclusive.</p> <p>F - Used on PA-28-180 with serial numbers 28-4378 to 28-7505261 inclusive, PA-28-140, PA-28-235, PA-28R-180 and PA-28R-200 airplanes.</p> <p>G - Used on PA-28-150, PA-28-160 and PA-28-180 with serial numbers 28-1 to 28-4377 inclusive.</p>					

When ordering, always specify Part Number, Description, and Serial Number of Aircraft

PIPER PARTS CATALOG

Figure and Index Number	Part Number	Code	NOMENCLATURE	No. Req.	SERIAL NUMBERS AFFECTED
15 -45	22482-000	A	SCOOP - Evaporator vent	1	
-46	99615-000	A	COVER - Air conditioning exhaust louver, left	1	
	99615-001	A	COVER - Air conditioning exhaust louver, right	1	
-47	99631-000	A	FILTER - Air conditioning exhaust	2	
-48	99496-000	D	BRACKET ASSEMBLY - Condenser door actuation	1	
	99496-002	C	BRACKET ASSEMBLY - Condenser door actuation	1	
-49	99561-000	A	BEARING ASSEMBLY - Condenser door actuation	2	
-50	99272-000	A	CHANNEL - Condenser door frame	2	
-51	99273-000	A	STIFFENER - Condenser door frame	1	
-52	99278-003	A	ZEE ASSEMBLY - Condenser door frame	1	
-53	99552-002	A	BRACKET ASSEMBLY - Condenser door bellcrank, left	1	
	99552-000	A	BRACKET ASSEMBLY - Condenser door bellcrank, right	1	
-54	99558-000	A	BRACKET - Motor mount, condenser actuator	1	
-55	99545-000	A	BRACKET ASSEMBLY - Motor support	1	
-56	99555-000	A	BRACKET - Brace	1	
-57	99487-000	A	BRACE - Condenser frame, left	1	
	99487-001	A	BRACE - Condenser frame, right	1	
-58	99488-000	A	GUSSET - Condenser frame, forward	2	
-59	99280-000	A	GUSSET - Condenser frame, aft, left	1	
	99280-001	A	GUSSET - Condenser frame, aft, right	1	
-60	76497-002	A	PANEL ASSEMBLY - Fairlead	1	
-61	99498-000	B	MOUNT - Closed limit switch	1	
			<p>A - Used on PA-28-140 with serial numbers 28-25001, 28-7125472 and up, PA-28-180 with serial numbers 28-5653, 28-7205092 to 28-7505261 inclusive, and PA-28R-200 with serial numbers 28R-7235001 and up if air conditioning is installed.</p> <p>B - Used on PA-28-140 with serial numbers 28-25001, 28-7125472 to 28-7225185 inclusive, PA-28-180 with serial numbers 28-5653, and 28-7205092 to 28-7205179 inclusive if air conditioning is installed.</p> <p>C - Used on PA-28R-200 with serial numbers 28R-7235001 and up if air conditioning is installed.</p> <p>D - Used on PA-28-140 with serial numbers 28-25001, 28-7125472 and up, and PA-28-180 with serial numbers 28-5653, 28-7205092 to 28-7505261 inclusive if air conditioning is installed.</p>		

When ordering, always specify Part Number, Description, and Serial Number of Aircraft

THIS PAGE INTENTIONALLY LEFT BLANK

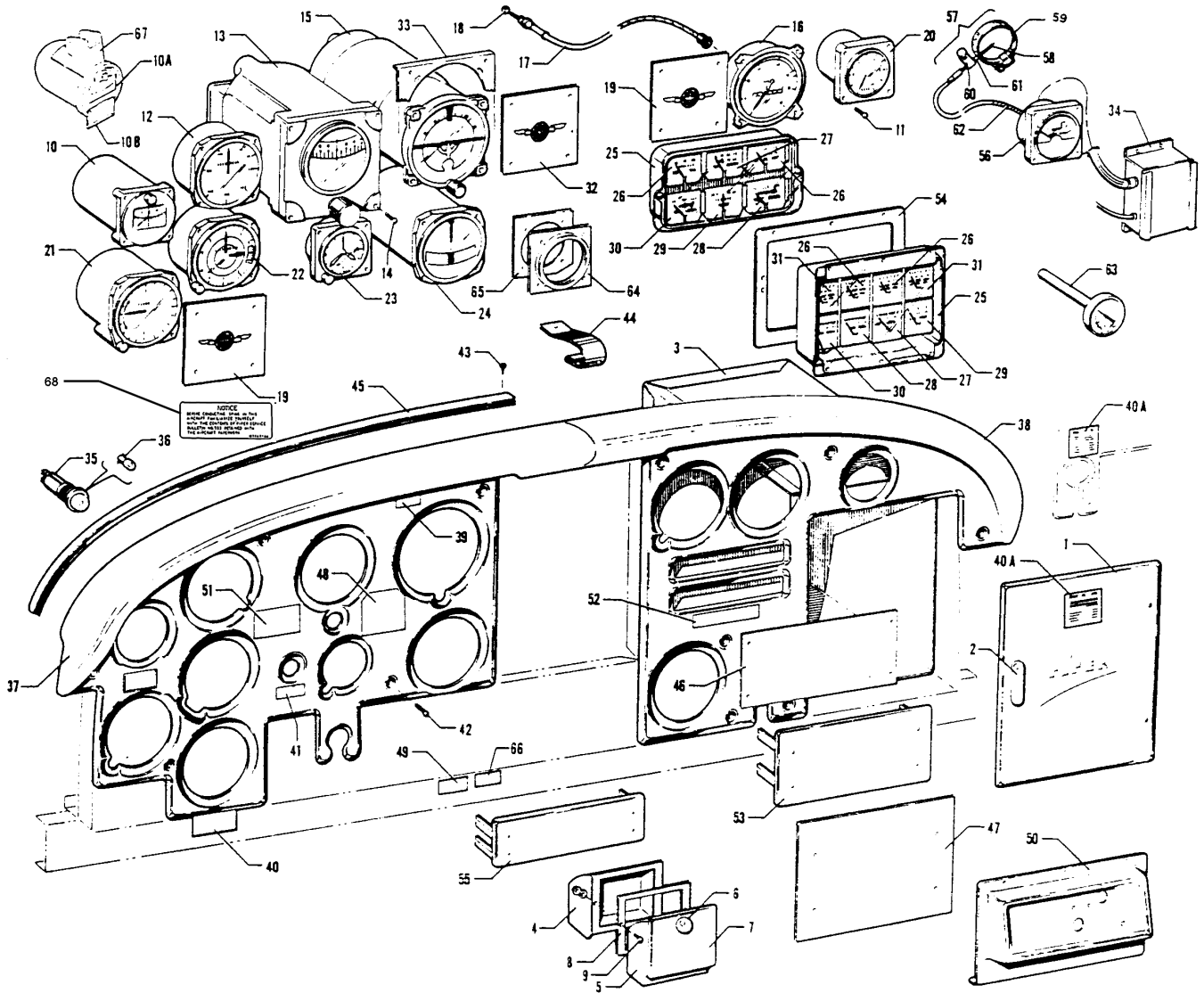


Figure 16. Instrument Panel Installation
 (PA-28-150-160-180 - Serial Nos. 28-1 to 28-4377 inclusive)
 (PA-28-235 - Serial Nos. 28-10003 to 28-11039 inclusive)
 (PA-28-140 - Serial Nos. 28-20002 to 28-24999 inclusive)

PA-28-140
 PA-28-150
 PA-28-160
 PA-28-180
 PA-28-235

THIS PAGE INTENTIONALLY LEFT BLANK

PIPER PARTS CATALOG

Figure and Index Number	Part Number	Code	NOMENCLATURE	No. Req.	SERIAL NUMBERS AFFECTED
16-	63204	G	DRAWING - Instruments Installation		28-1 to 28-1230 inclusive
	62156	G	DRAWING - Instruments Installation		28-1231 to 28-1760 inclusive
	62935	G	DRAWING - Instruments Installation		28-1761 to 28-4377 inclusive
	62898	B	DRAWING - Instruments Installation		28-20002 to 28-24999 inclusive
	65176	C	DRAWING - Instruments Installation		28-10002 to 28-10165 inclusive
	65437	C	DRAWING - Instruments Installation		28-10166 to 28-10486 inclusive
	65446	C	DRAWING - Instruments Installation		28-10487 to 28-11039 inclusive
-1	20596-000	D	DOOR ASSEMBLY - Glove compartment	1	
	62378-000	E	DOOR ASSEMBLY - Glove compartment	1	
-2	571-069	E	* KNOB - Glove compartment door	1	
-3	20589-000	D	COMPARTMENT ASSEMBLY - Glove	1	
	62358-000	E	COMPARTMENT ASSEMBLY - Glove	1	
-4	484-385	F	RETAINER - Ash box	1	
-5	453-141	F	BOX - Ash	1	
-6	18875-006	F	KNOB - Ash box	1	
-7	13950-000	F	PLATE - Ash box	1	
-8	18467-000	F	PLATE - Ash box retainer	1	
-9	415-145	E	SCREW - (AN526R-6-5)	14	
	690-640	E	WASHER - (NAS1149FN632P)	14	
	404-528	E	NUT - (MS21042-06)	14	
-10	450-765		INSTRUMENT - Compass	1	
-10a	67462-006	H	INSTRUMENT - Compass assembly	1	
-10b	79650-002		* HOLDER - Compass card	1	
-11	415-151		SCREW - (AN526-632R12)	29	
<p>A - Used on PA-28-140 with serial numbers 28-20002 to 28-24999 inclusive, PA-28-150, PA-28-160 and PA-28-180 with serial numbers 28-1 to 28-4377 inclusive, and PA-28-235 with serial numbers 28-10003 to 28-11039 inclusive.</p> <p>B - Used on PA-28-140 airplanes only.</p> <p>C - Used on PA-28-235 airplanes only.</p> <p>D - Used on PA-28-140 with serial numbers 28-20002 to 28-24999 inclusive, PA-28-150, PA-28-160 and PA-28-180 with serial numbers 28-1 to 28-1760 inclusive, and PA-28-235 with serial numbers 28-10003 to 28-10486 inclusive.</p> <p>E - Used on PA-28-150, PA-28-160 and PA-28-180 with serial numbers 28-1761 to 28-4377 inclusive, and PA-28-235 with serial numbers 28-10487 to 28-11039.</p> <p>F - Used on PA-28-150, PA-28-160 and PA-28-180 with serial numbers 28-1 to 28-1760 inclusive, and PA-28-140 with serial numbers 28-20002 to 28-24999.</p> <p>G - Used on PA-28-150, PA-28-160 and PA-28-180 only.</p> <p>H - Used on PA-28-140 with serial numbers 28-20002 to 28-24999 inclusive, PA-28-150, PA-28-160 and PA-28-180 with serial numbers 28-1 to 28-4377 inclusive, and PA-28-235 with serial numbers 28-10003 to 28-11039 inclusive if Magnetic Compass Relocation Kit 760 795 has been installed per Piper Service Letter 761.</p>					

When ordering, always specify Part Number, Description, and Serial Number of Aircraft

PA-28-140
PA-28-150
PA-28-160
PA-28-180
PA-28-235

PIPER PARTS CATALOG

Figure and Index Number	Part Number	Code	NOMENCLATURE	No. Req.	SERIAL NUMBERS AFFECTED	
16 -12	450-762	L	INSTRUMENT - Airspeed (63205-00) M.P.H.	1		
	550-506	L	INSTRUMENT - Airspeed (99632-02) knots	1		
	450-793	H	INSTRUMENT - Airspeed (63205-02) M.P.H.	1		
	550-507	H	INSTRUMENT - Airspeed (9963243) knots	1		
	550-618	C	INSTRUMENT - Airspeed (63205-03) M.P.H.	1		
	450-799	D,L	INSTRUMENT - True airspeed, adjustable (62143-00) M.P.H.	1		
	550-518	DL	INSTRUMENT - True airspeed, adjustable (62143-12) knots	1		
	550-600	H,J	INSTRUMENT - True airspeed, adjustable (62143-02) M.P.H.	1		
	550-617	C,D	INSTRUMENT - True airspeed, adjustable (62143-03) M.P.H.	1		
	-13	550-647	G,M	INSTRUMENT - Directional gyro (31699-00)	1	
		755-427	E,M	INSTRUMENT - Directional gyro (3 inch)	1	
	-14	415-458		SCREW - (AN526R-8-24)	7	
-15	550-646	G,M	INSTRUMENT - Gyro horizon (31698-00)	1		
	755-428	E,M	INSTRUMENT - Gyro horizon (3 inch)	1		
-16	599-282	F,N	INSTRUMENT - Tachometer	1	28-1 to 28-1230 inclusive	
	62177-003	J,K,N	INSTRUMENT - Tachometer (550 630)	1	28-1231 to 28-4377 inclusive	
	62177-002	B,N	INSTRUMENT - Tachometer (550 614)	1	28-20002 to 28-24999 inclusive	
	450-728	C,N	INSTRUMENT - Tachometer (13621-06)	1	28-10003 to 28-11039 inclusive	
-17	486-570	B,F	SHAFT - Tachometer (1536463) (32 1/2" L)	1		
	486-574	C	SHAFT - Tachometer (6409944) (26" L)	1	28-10003 to 28-10486 inclusive	
	486-588	C	SHAFT - Tachometer (6451955) (28" L)	1	28-10487 to 28-10719 inclusive	
	486-576	C,	SHAFT - Tachometer (1568859) (30" L)	1	28-10720 to 28-11039 inclusive	
-18	85012-014		WASHER - Tachometer shaft	1		
-19	11199-000		PLATE ASSEMBLY - Cover	2		
-20	450-648	F,	GAUGE - Suction	1	28-1 to 28-1444 inclusive	
	450-648	C,	GAUGE - Suction	1	28-10003 to 28-10152 inclusive	
	550-629	B,F	GAUGE - Suction	1	28-1445 and up	
	550-629	C	GAUGE - Suction	1	28-10153 to 28-11039 inclusive	
-21	67468-000		INSTRUMENT - Rate of climb	1		
-22	450-611		INSTRUMENT - Altimeter, standard (PAC 11343)	1		
	67467-000		INSTRUMENT - Altimeter, sensitive (scale in inches of mercury)	1		
	67467-002		INSTRUMENT - Altimeter, sensitive (scale in millibars)	1		
-23	550-597		INSTRUMENT - Clock (AN5743-L2)	1		

A - Used on PA-28-140 with serial numbers 28-20002 to 28-24999 inclusive, PA-28-150, PA-28-160 and PA-28-180 with serial numbers 28-1 to 28-4377 inclusive, and PA-28-235 with serial numbers 28-10003 to 28-11039 inclusive.
 B - Used on PA-28-140 airplanes only.
 C - Used on PA-28-235 airplanes only.
 D - Optional equipment.
 E - Used on PA-28-150, PA-28-160 and PA-28-180 with serial numbers 28-4085 to 28-4377 inclusive, PA-28-235 with serial numbers 28-10927 to 28-11039 inclusive, and PA-28-140 with serial numbers 28-23348 to 28-24999 inclusive.
 F - Used on PA-28-150, PA-28-160 and PA-28-180 only.
 G - No longer available.
 H - Used on PA-28-180 airplanes only.
 J - Used on PA-28-150, PA-28-160, with O-360-A4A engine only.
 K - Used on PA-28-180 with O-360-A3A engine only.
 L - Used on PA-28-140, PA-28-150 and PA-28-160 only.
 M - See Figure 87 if Auto Control I is installed, Figure 88 if AutoControl II is installed, or Figure 89 if AutoControl III is installed.
 N - Reference Piper Service Letter 526 if aircraft is a PA-28 Cherokee model with Lycoming O-360-A3A engine and Sensenich propeller model M76EMM-0, M76EMMS-0, 76EM8S5-0 or 76EM8-0.

PA-28-140
PA-28-150
PA-28-160
PA-28-180
PA-28-235

When ordering, always specify Part Number, Description, and Serial Number of Aircraft

PIPER PARTS CATALOG

Figure and Index Number	Part Number	Code	NOMENCLATURE	No. Req.	SERIAL NUMBERS AFFECTED
16 -24	450-658		INSTRUMENT - Turn and bank (A-5) vacuum	1	
	550-483		INSTRUMENT - Turn and bank (1234T100-5) electric	1	
-25	548-190	J	INSTRUMENT - Turn coordinator (1394T100) electric	1	
	63922-000	E	CLUSTER ASSEMBLY - Instrument	1	28-1 to 28-507 inclusive
	63922-002	E	CLUSTER ASSEMBLY - Instrument	1	28-508 to 28-1760 inclusive
	63426-000	G	CLUSTER ASSEMBLY - Instrument	1	
	63426-002	E	CLUSTER ASSEMBLY - Instrument	1	28-3378 to 28-4377 inclusive
	63922-002	B	CLUSTER ASSEMBLY - Instrument	1	28-20002 to 28-20550 inclusive
	65201-000	C	CLUSTER ASSEMBLY - Instrument	1	28-10003 to 28-10719 inclusive
	68809-000	C	CLUSTER ASSEMBLY - Instrument	1	28-10720 to 28-11039 inclusive
-26	752-070	F	* INSTRUMENT - Fuel gauge	2	
	752-081	D,F	* INSTRUMENT - Fuel gauge	2	
	752-112	G	* INSTRUMENT - Fuel gauge, left tank	1	
	752-113	G	* INSTRUMENT - Fuel gauge, right tank	1	
	752-100	C	* INSTRUMENT - Fuel gauge, left main	1	
	752-101	C	* INSTRUMENT - Fuel gauge, right main	1	
-27	752-055	F,	* INSTRUMENT - Fuel pressure	1	
	752-076	D,F,	* INSTRUMENT - Fuel pressure	1	
	752-097	H	* INSTRUMENT - Fuel pressure	1	
-28	752-057	F,	* INSTRUMENT - Oil temperature	1	
	752-078	D,F,	* INSTRUMENT - Oil temperature	1	
	752-096	H	* INSTRUMENT - Oil temperature	1	
-29	752-058	F,	* INSTRUMENT - Ammeter (40 - 0 + 40)	1	
	752-079	D,F,	* INSTRUMENT - Ammeter (40 - 0 + 40)	1	
	752-084	D,F	* INSTRUMENT - Ammeter (0 20 40)	1	
	752-099	G,K	* INSTRUMENT - Ammeter (0 20 40)	1	
	79362-000	E	* INSTRUMENT - Ammeter (0 30 60)	1	28-3378 to 28-4377 incl.
	752-099	C,K	* INSTRUMENT - Ammeter (0 20 40)	1	28-10003 to 28-10719 incl.
	752-121	C,K	* INSTRUMENT - Ammeter (0 30 60)	1	28-10720 to 28-11039 inclusive
			A - Used on PA-28-140 with serial numbers 28-20002 to 28-24999 inclusive, PA-28-150, PA-28-160 and PA-28-180 with serial numbers 28-1 to 28 4377 inclusive, and PA-28-235 with serial numbers 28-10003 to 28-11039 inclusive.		
			B - Used on PA-28-140 airplanes only.		
			C - Used on PA-28-235 airplanes only.		
			D - White lettering.		
			E - Used on PA-28-150, PA-28-160 and PA-28-180 only.		
			F - Used on PA-28-150, PA-28-160 and PA-28-180 with serial numbers 28-1 to 28-1760 inclusive, and PA-28-140 with serial numbers 28-20002 to 28-20550.		
			G - Used on PA-28-150, PA-28-160 and PA-28-180 with serial numbers 28-1761 to 28-4377 inclusive, and PA-28-140 with serial numbers 28-20551 to 28-24999.		
			H - Used on PA-28-150, PA-28-160 and PA-28-180 with serial numbers 28-1761 to 28 1377 inclusive, PA-28-235 with serial numbers 28-10003 to 28-11039 inclusive, and PA-28-140 with serial numbers 28-20551 to 28-24999 inclusive.		
			J - Order this instrument as a replacement for Mitchell Turn and Bank 52D69 or P/N 41711-02 (Brittain P/N 1681A) which are no longer available. Cable assembly P/N 63759-02 must also be ordered when the Mitchell Turn and Bank 52D69 is being replaced		
			K - Reference Piper Service Bulletin 811A on Ammeter Replacement using Kit No. 765-186. Used on PA-28-150/160 aircraft with serial numbers 28-3378 thru 28-4377 inclusive, PA-28-180 with serial numbers 28-3378 thru 28-7505259 inclusive and 28-E13, and PA-28-235 with serial numbers 28-10720 thru 28-7710089 inclusive and 28-E11.		

When ordering, always specify Part Number, Description, and Serial Number of Aircraft

PA-28-140
PA-28-150
PA-28-160
PA-28-180
PA-28-235

PIPER PARTS CATALOG

Figure and Index Number	Part Number	Code	NOMENCLATURE	No. Req.	SERIAL NUMBERS AFFECTED
16 -30	752-071	F	* INSTRUMENT - Oil pressure	1	
	752-082	F,H	* INSTRUMENT - Oil pressure	1	
	752-114	J	* INSTRUMENT - Oil pressure	1	
	752-098	C	* INSTRUMENT - Oil pressure	1	
-31	79366-000	C	* INSTRUMENT - Fuel gauge, left tip	1	
	752-102	C	* INSTRUMENT - Fuel gauge, right tip	1	
-32	11199-000	D	PLATE ASSEMBLY - Cover	1	28-1 to 28-97 inclusive
	63157-000	D	PLATE ASSEMBLY - Cover	1	28-98 to 28-2011 inclusive
	63753-000	G	PLATE ASSEMBLY - Cover	1	28-2012 and up
	63755-000	E	PLATE ASSEMBLY - Cover	1	28-2012 and up
	63757-000	E	PLATE ASSEMBLY - Cover	1	28-2012 to 28-4377 inclusive
	63157-000	B	PLATE ASSEMBLY - Cover	1	28-20002 to 28-20511 inclusive
	63751-000	B	PLATE ASSEMBLY - Cover	1	28-20512 to 28-24999 inclusive
	11199-008	C	PLATE ASSEMBLY - Cover	1	28-10003 to 28-10062 inclusive
	65421-000	C	PLATE ASSEMBLY - Cover	1	28-10063 to 28-10486 inclusive
	65448-000	C	PLATE ASSEMBLY - Cover	1	28-10487 to 28-11039 inclusive
-33	65890-000	B	PLATE - Adapter, 3 gyro horizon	1	28-23348 to 28-24999 inclusive
-34	751-291		AMPLIFIER ASSEMBLY - Mixture control gauge	1	
-35	472-712		LIGHT - Stall warning	1	
-36	751-453		* BULB	1	
-37	63115-002	D	PANEL - Cover, left	1	28-1 to 28-1410 inclusive
	63115-009	D	PANEL - Cover, left	1	28-1411 to 28-1760 inclusive
	63115-009	B	PANEL - Cover, left	1	28-20002 to 28-23347 inclusive
	65891-002	B	PANEL - Cover, left (used with 3" gyros)	1	28-23348 to 28-24999 inclusive
	63115-009	C	PANEL - Cover, left	1	28-10003 to 28-10486 inclusive
	62356-002	D	PANEL - Cover, left	1	28-1761 to 28-3377 inclusive
	62356-002	C	PANEL - Cover, left	1	28-10487 to 28-10719 inclusive
	65550-002	D	PANEL - Cover, left	1	28-3378 to 28-1084 inclusive
	65550-002	C	PANEL - Cover, left	1	28-10720 to 28-10926 inclusive
	69059-002	D	PANEL - Cover, left (used with 3" gyros)	1	28-3266 to 28-4377 inclusive
	69059-002	C	PANEL - Cover, left (used with 3" gyros)	1	28-10720 to 28-11039 inclusive
			A - Used on PA-28-140 with serial number 28-20002 to 28-24999 inclusive, PA-28-150, PA-28-160 and PA-28-180 with serial numbers 28-1 to 28-4377 inclusive, and PA-28-235 with serial numbers 28-10003 to 28-11039 inclusive.		
			B - Used on PA-28-140 airplanes only.		
			C - Used on PA-28-235 airplanes only.		
			D - Used on PA-28-150, PA-28-160 and PA-28-180 only.		
			E - Used on PA-28-160 airplanes only.		
			F - Used on PA-28-150, PA-28-160 and PA-28-180 with serial numbers 28-1 to 28-1760 inclusive, and PA-28-140 with serial numbers 28-20002 to 28-20550.		
			G - Used on PA-28-150 airplanes only.		
			H - White lettering.		
			J - Used on PA-28-150, PA-28-160 and PA-28-180 with serial numbers 28-1761 to 28-4377 inclusive, and PA-28-140 with serial numbers 28-20551 to 28-24999.		

PA-28-140
PA-28-150
PA-28-160
PA-28-180
PA-28-235

When ordering, always specify Part Number, Description, and Serial Number of Aircraft

PIPER PARTS CATALOG

Figure and Index Number	Part Number	Code	NOMENCLATURE	No. Req.	SERIAL NUMBERS AFFECTED
16 -38	63115-03	F	PANEL - Cover, right	1	
	62356-03	E	PANEL - Cover, right	1	28-1761 to 28-3377 inclusive
	65204-02	C	PANEL - Cover, right	1	28-10003 to 28-10486 inclusive
	62356-04	C	PANEL - Cover, right	1	28-10487 to 28-10719 inclusive
	65550-03	C	PANEL - Cover, right	1	28-10720 to 28-11039 inclusive
	65550-04	E	PANEL - Cover, right	1	28-3378 to 28-4377 inclusive
-39	66532-00	J	PLACARD - Operating limitations	1	
-40	63921-00	H	PLACARD - Operating limitations	1	
	62391-00	B,J	PLACARD - Operating limitations	1	
-40a	65779-00	J	PLACARD - Operating limitations	1	
	65779-00	B	PLACARD - Operating limitations	1	28-22575 to 28-24999 inclusive
-41	63918-00	F	PLACARD - Stall warning	1	
	63918-00	C	PLACARD - Stall warning	1	28-10003 to 28-10486 inclusive
	62897-00	D	PLACARD - Stall warning	1	
-42	415 150		SCREW - Cover panel attachment (AN526-632R10)	AR	
	690 618		WASHER - Cover panel attachment (NAS1149FN816P)	AR	
	406 846		RIVNUT - Cover panel attachment (A6K-3F-75)	AR	
-43	419 920		SCREW - (8 x 1/2, Type B) Sheetmetal, Tinnerman	2	
	406 382		NUT - (A1789-8-3) Tinnerman	2	
-44	63155-00	F	RETAINER - Instrument panel cover	1	
	63155-00	C	RETAINER - Instrument panel cover	1	28-10003 to 28-10486 inclusive
	62359-00	D	RETAINER - Instrument panel cover	1	
-45	63154-02	G	STIFFENER - Instrument panel cover, left	1	
	63154-02	B	STIFFENER - Instrument panel cover, left	1	
	62357-02	D	STIFFENER - Instrument panel cover, left	1	
	63154-03	G	STIFFENER - Instrument panel cover, right	1	
	63154-03	B	STIFFENER - Instrument panel cover, right	1	
-46	62357-03	D	STIFFENER - Instrument panel cover, right	1	
	63950-03	E	COVER - Radio opening, top	1	28-1 to 28-1760 inclusive
	63950-03	B	COVER - Radio opening, top	1	28-20281 to 28-24999 inclusive
	65205-02	C	COVER - Radio opening, top	1	28-10003 to 28-10486 inclusive
	62942-00	D	COVER - Radio opening, top	1	
-47	63950-04	G	COVER - Radio opening, bottom	1	
	63950-04	B	COVER - Radio opening, bottom	1	28-20281 to 28-24999 inclusive
	62944-00	D	COVER - Radio opening, bottom	1	

A - Used on PA-28-140 with serial numbers 28-20002 to 28-24999 inclusive, PA-28-150, PA-28-160 and on PA-28-180 with serial number 28-1 to 28-4377 inclusive, and PA-28-235 with serial numbers 28-10003 to 28-11039 inclusive.

B - Used on PA-28-140 airplanes only.

C - Used on PA-28-235 airplanes only.

D - Used on PA-28-150, PA-28-160 and PA-28-180 with serial numbers 28-1761 to 28-4377 inclusive, and PA-28-235 with trial numbers 28-10487 to 28-11039 inclusive.

E - Used on PA-28-150, PA-28-160 and PA-28-180 only.

F - Used on PA-28-150, PA-28-160 and PA-28-180 with serial number 28-1 to 28-1760 inclusive, and PA-28-140 with numbers 28-20002 to 28-24999 inclusive.

G - Used on PA-28-150, PA-28-160 and PA-28-180 with serial number 28-1 to 28-1760 inclusive, and PA-28-235 with serial numbers 28-10003 to 28-10486.

H - Used on PA-28-180 with serial numbers 28-671 to 28-4377 inclusive, PA-28-150 and PA-28-160 airplanes.

J - Used on PA-28-180 with serial numbers 28-3793 to 28-3803, 28-3806, 28-3833 to 28-4377 inclusive.

When ordering, always specify Part Number, Description, and Serial Number of Aircraft

PA-28-140
PA-28-150
PA-28-160
PA-28-180
PA-28-235

PIPER PARTS CATALOG

Figure and Index Number	Part Number	Code	NOMENCLATURE	No. Req.	SERIAL NUMBERS AFFECTED
16 -48	63278-000		PLACARD - Take-off and landing check list	1	28-1 to 28-1410 inclusive
	65312-000		PLACARD - Take-off check list	1	28-1411 and up
	69031-000		PLACARD - Take-off check list (used when 3" gyros are installed)	1	
-49	63189-000		PLACARD - Rough air or maneuvering	1	28-671 to 28-1410 inclusive
	65182-002	B,E	PLACARD - Rough air or maneuvering	1	28-1411 and up
	65182-000	F	PLACARD - Rough air or maneuvering	1	
-50	62147-002		PANEL - AutoFlite trim	1	28-1231 to 28-1410 inclusive
	62198-002		PANEL - AutoFlite trim	1	28-1411 and up
-51	69165-002	B,E	PLACARD - Landing check list	1	
	65313-000	F	PLACARD - Landing check list	1	28-10003 to 28-10719 incl.
	69165-002	F	PLACARD - Landing check list	1	28-10720 to 28-11039 incl.
-52	63408-000	B,E	PLACARD - Oil cooler winterization	1	
-53	62943 000	G	COVER - Radio opening, center	1	
-54	62407-000	E	ADAPTER ASSEMBLY - Instrument cluster	1	28-1761 to 28-4377 inclusive
-55	63766-000	E	COVER ASSEMBLY - Instrument panel	1	28-2423 to 28-4377 inclusive
	63766-000	F	COVER ASSEMBLY - Instrument panel	1	28-10661 to 28-11039 incl.
-56	752-120	C	GAUGE ASSEMBLY - Mixture control indicator (Delta)	1	
	751-915	D	GAUGE ASSEMBLY - Mixture control indicator (Delta)	1	
-57	756-907		THERMOCOUPLE ASSEMBLY - (With mounting kit) (Delta)	1	
-58	756-307		* THERMOCOUPLE - (Less mounting kit) (Delta)	1	
-59	753-948		* CLAMP - Thermocouple probe attachment (Delta)	1	
-60	753-949		* CLAMP ASSEMBLY - Probe attachment (Delta)	1	
-61	756-256		MOUNTING SLEEVE - Probe attachment (Delta)	1	
-62	753-212		WIRE ASSEMBLY - Mixture control gauge (Delta)	1	
-63	99479-002		GAUGE - Air temperature (NHM-70)	1	
-64	69080-000		COVER - Pictorial rate of turn	1	
-65	69169-000		PLATE - Pictorial rate of turn	1	
-66	76406-000	H	PLACARD - Throttle operation	1	
-67	79600-000	J	HOUSING ASSEMBLY - Compass	1	
-68	87369-044	B	PLACARD - Conducting spins	1	

- A - Used on PA-28-140 with trial numbers 28-20002 to 28-24999 inclusive, PA-28-150, PA-28-160 and on PA-28-180 with serial numbers 28-1 to 28-4377 inclusive, and PA-28-235 with serial numbers 28-10003 to 28-11039 inclusive.
- B - Used on PA-28-140 airplanes only.
- C - Used if Mixture Control Gauge Amplifier is not installed.
- D - Used if Mixture Control Gauge Amplifier is installed.
- E - Used on PA-28-150, PA-28-160 and PA-28-180 only.
- F - Used on PA-28-235 airplanes only.
- G - Used on PA-28-150, PA-28-160 and PA-28-180 with serial numbers 28-1761 to 28-4377 inclusive, and PA-28-235 with serial numbers 28-10487 to 28-11039 inclusive.
- H - Used on PA-28-140, PA-28-150 and PA-28-160 only.
- J - Used on PA-28-140 with serial numbers 28-20002 to 28-24999 inclusive, PA-28-150, PA-28-160 and on PA-28-180 with serial numbers 28-1 to 28-4377 inclusive, and PA-28-235 ,with serial numbers 28-10003 to 28-11039 inclusive, if Magnetic Compass Relocation Kit 760-795 has been installed per Service Letter 761.

PA-28-140
PA-28-150
PA-28-160
PA-28-180
PA-28-235

When ordering, always specify Part Number, Description, and Serial Number of Aircraft

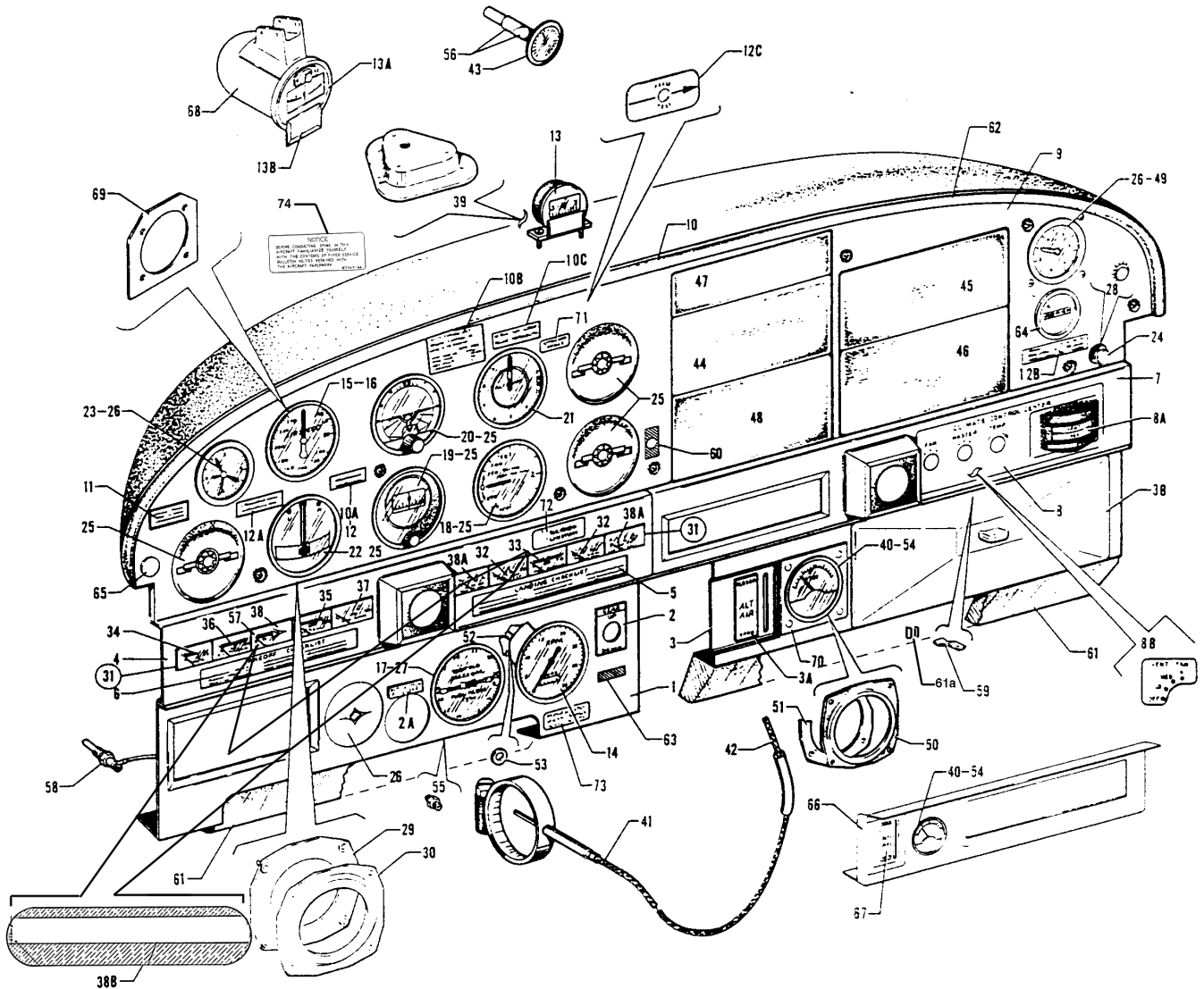


Figure 17. Instrument Panel Installation
 (PA-28-140 - Serial Nos. 28-25000 and up)
 (PA-28-180 - Serial Nos. 28-4378 and up)
 (PA-28-235 - Serial Nos. 28-11040 and up)
 (PA-28R-180 - Serial Nos. 28R-30005 to 28R-30481 inclusive, 28R-30483 to 28R-7130019 incl.)
 (PA-28R-200 - Serial Nos. 28R-30482 to 28R-35001 and up)

PA-28-140
 PA-28-180
 PA-28-235
 PA-28R-180
 PA-28R-200

THIS PAGE INTENTIONALLY LEFT BLANK

PIPER PARTS CATALOG

Figure and Index Number	Part Number	Code	NOMENCLATURE	No. Req.	SERIAL NUMBERS AFFECTED
17-	67110 66691	C,G J	DRAWING - Instrument Panel Installation DRAWING - Instrument Panel Installation		
-1	67230-007 66983-008 66983-007 66983-009 66983-013 66983-012 66983-006 66983-015 67920-005 67920-014	B K H K D D E F L L,M	COVER ASSEMBLY - Instrument panel, lower left, brown COVER ASSEMBLY - Instrument panel, lower left, red COVER ASSEMBLY - Instrument panel, lower left, blue COVER ASSEMBLY - Instrument panel, lower left, tan COVER ASSEMBLY - Instrument panel, lower left, white COVER ASSEMBLY - Instrument panel, lower left, black COVER ASSEMBLY - Instrument panel, lower left, green COVER ASSEMBLY - Instrument panel, lower left, blue/green COVER ASSEMBLY - Instrument panel, lower left, white COVER ASSEMBLY - Instrument panel, lower left	1 1 1 1 1 1 1 1 1 1	28R-7235001 to 28R-7435331 incl. 28R-7235001 and up
			<p>A - Used on PA-28-140 with serial numbers 28-25000 and up, PA-28-180 with serial numbers 28-4378 and up, PA-28-235 with serial numbers 28-11040 and up, PA-28R-180 and PA-28R-200 airplanes.</p> <p>B - Used on PA-28R-180 with serial numbers 28R-30005 to 28R-30481 inclusive, 28R-30483 to 28R-31250 inclusive, and PA-28R-200 with serial numbers 28R-30482, 28R-35001 to 28R-35600 inclusive.</p> <p>C - Used on PA-28R-180 and PA-28R-200 airplanes only.</p> <p>D - Used on PA-28R-180 with serial numbers 28R-31251 to 28R-7130019 inclusive, and PA-28R-200 with serial number 28R-30482, 28R-35001 to 28R-7135238 inclusive.</p> <p>E - Used on PA-28R-180 with serial numbers 28R-31251 to 28R-7130019 inclusive, and PA-28R-200 with serial numbers 28R-35001 to 28R-7135238 inclusive.</p> <p>F - Used on PA-28R-180 with serial numbers 28R-7130001 to 28R-7130019 inclusive, and PA-28R-200 with serial numbers 28R-7135001 to 28R-7135238 inclusive.</p> <p>G - Used on PA-28-180 with serial numbers 28-4378 and up, and PA-28-235 with serial numbers 28-11040 and up.</p> <p>H - Used on PA-28R-180 with serial numbers 28R-30005 to 28R-30481 inclusive, 28R-30483 to 28R-31279 inclusive, and PA-28R-200 with serial numbers 28R-30482, 28R-35001 to 28R-35830 inclusive.</p> <p>J - Used on PA-28-140 airplanes only.</p> <p>K - Used on PA-28R-180 with serial numbers 28R-30005 to 28R-7130019 inclusive, and PA-28R-200 with serial numbers 28R-30482, 28R-35001 to 28R-7135238 inclusive.</p> <p>L - Used on PA-28R-200 airplanes only.</p> <p>M - When ordering, specify color red, gold, black, blue/green, green or "Bark I".</p>		

When ordering, always specify Part Number, Description, and Serial Number of Aircraft

PIPER PARTS CATALOG

Figure and Index Number	Part Number	Code	NOMENCLATURE	No. Req.	SERIAL NUMBERS AFFECTED	
17 -1	65831-007	B	COVER ASSEMBLY - Instrument panel, lower left, brown	1	28-25000 to 28-7425454 incl. 28-7520001 to 28-7625284 incl.	
	66918-007	F	COVER ASSEMBLY - Instrument panel, lower left, blue	1		
	66918-013	D	COVER ASSEMBLY - Instrument panel, lower left, white	1		
	66918-016	C	COVER ASSEMBLY - Instrument panel, lower left, red	1		
	66918-016	C	COVER ASSEMBLY - Instrument panel, lower left, gold	1		
	66918-016	J	COVER ASSEMBLY - Instrument panel, lower left, black	1		
	66918-016	J	COVER ASSEMBLY - Instrument panel, lower left, green	1		
	66918-016	G	COVER ASSEMBLY - Instrument panel, lower left, blue/green	1		
	66734-003	E	COVER ASSEMBLY - Instrument panel, lower left, black	1		
	66918-016	E	COVER ASSEMBLY - Instrument panel, lower left, black	1		
	66918-016	K	COVER ASSEMBLY - Instrument panel, lower left	1		
	-2	67703-002	H	PLACARD - Gear switch, mph		1
		78119-000	H	PLACARD - Gear switch, knots		1
	-2a	67490-002		PLACARD - Pitch trim		1
				<p>A - Used on PA-28-140 with serial numbers 28-25000 and up, PA-28-180 with serial numbers 28-4378 and up, PA-28-235 with serial numbers 28-11040 and up, PA-28R-180 and PA-28R-200 airplanes.</p> <p>B - Used on PA-28-180 with serial numbers 28-4378 to 28-5600 inclusive, and PA-28-235 with serial numbers 28-11040 to 28-11300 inclusive.</p> <p>C - Used on PA-28-180 with serial numbers 28-4378 and up, and PA-28-235 with serial numbers 28-11040 to 28-7625284 inclusive.</p> <p>D - Used on PA-28-180 with serial numbers 28-5601 to 28-7405290 inclusive, and PA-28-235 with serial numbers 28-11301 to 28-7410120 inclusive.</p> <p>E - Used on PA-28-140 airplanes only.</p> <p>F - Used on PA-28-180 with serial numbers 28-4378 to 28-5869 inclusive, and PA-28-235 with serial numbers 28-11040 to 28-11393 inclusive.</p> <p>G - Used on PA-28-180 with serial numbers 28-7105001 and up, and PA-28-235 with serial numbers 28-7110001 to 28-7610206 inclusive.</p> <p>H - Used on PA-28R-180 and PA-28R-200 airplanes only.</p> <p>J - Used on PA-28-180 with serial numbers 28-5601 and up, and PA-28-235 with serial numbers 28-11301 to 28-7610206 inclusive.</p> <p>K - Used on PA-28-140 with serial numbers 28-7725001 and up, and PA-28-235 with serial numbers 28-7710001 and up. Specify color "Bark I" for PA-28-140 with serial numbers 28-7725001 to 28-7725174 inclusive, and PA-28-235 with serial numbers 28-7710001 to 28-7710010 inclusive. Specify color "Bark II" or black for PA-28-140 with serial numbers 28-7725175 and up, and PA-28-235 with serial number 28-7710001 and up.</p>		

PA-28-140
PA-28-180
PA-28-235
PA-28R-180
PA-28R-200

When ordering, always specify Part Number, Description, and Serial Number of Aircraft

PIPER PARTS CATALOG

Figure and Index Number	Part Number	Code	NOMENCLATURE	No. Req.	SERIAL NUMBERS AFFECTED
17 -3	67231-006	E	COVER ASSEMBLY - Instrument panel, lower right, brown	1	
	67231-007	G	COVER ASSEMBLY - Instrument panel, lower right, blue	1	
	67231-008	B	COVER ASSEMBLY - Instrument panel, lower right, red	1	
	67231-009	B	COVER ASSEMBLY - Instrument panel, lower right, tan	1	
	67231-024	F	COVER ASSEMBLY - Instrument panel, lower right, green	1	
	67231-022	C	COVER ASSEMBLY - Instrument panel, lower right, white	1	
	67231-021	C	COVER ASSEMBLY - Instrument panel, lower right, black	1	
	67231-029	H	COVER ASSEMBLY - Instrument panel, lower right, blue/green	1	
	67231-011	D	COVER ASSEMBLY - Instrument panel, lower right, brown	1	
	67231-012	D	COVER ASSEMBLY - Instrument panel, lower right, blue	1	
	67231-013	D	COVER ASSEMBLY - Instrument panel, lower right, red	1	
	67231-014	D	COVER ASSEMBLY - Instrument panel, lower right, tan	1	
	67231-015	J	COVER ASSEMBLY - Instrument panel, lower right, brown	1	
	67231-016	L	COVER ASSEMBLY - Instrument panel, lower right, blue	1	
	67231-017	K	COVER ASSEMBLY - Instrument panel, lower right, red	1	
	67231-018	K	COVER ASSEMBLY - Instrument panel, lower right, tan	1	
				<p>A - Used on PA-28-180 with serial numbers 28-4378 and up, PA-28-235 with serial numbers 28-11040 and up, PA-28-140 with serial numbers 28-25000 and up, PA-28R-180 and PA-28R-200 airplanes.</p> <p>B - Used on PA-28R-180 with serial numbers 28R-30005 to 28R-7130019 inclusive, and PA-28R-200 with serial numbers 28R-30482, 28R-35001 to 28R-7135238 inclusive.</p> <p>C - Used on PA-28R-180 with serial numbers 28R-31251 to 28R-7130019 inclusive, and PA-28R-200 with serial numbers 28R-30482, 28R-35001 to 28R-7135238 inclusive.</p> <p>D - Used on PA-28-180 with serial numbers 28-4378 to 28-5042 inclusive, and PA-28-235 with serial numbers 28-11040 to 28-11085 inclusive.</p> <p>E - Used on PA-28R-180 with serial numbers 28R-30005 to 28R-30481 inclusive, 28R-30483 to 28R-31250 inclusive, and PA-28R-200 with serial numbers 28R-30482, 28R-35001 to 28R-35600 inclusive.</p> <p>F - Used on PA-28R-180 with serial numbers 28R-31251 to 28R-7130019 inclusive, and PA-28R-200 with serial numbers 28R-35601 to 28R-7135238 inclusive.</p> <p>G - Used on PA-28R-180 with serial numbers 28R-30005 to 28R-30481 inclusive, 28R-30483 to 28R-31279 inclusive, and PA-28R-200 with serial numbers 28R-30482, 28R-35001 to 28R-35830 inclusive.</p> <p>H - Used on PA-28R-180 with serial numbers 28R-7130001 to 28R-7130019 inclusive, and PA-28R-200 with serial numbers 28R-7135001 to 28R-7135238 inclusive.</p> <p>J - Used on PA-28-180 with serial numbers 28-5043 to 28-5600 inclusive, and PA-28-235 with serial numbers 28-11086 to 28-11300 inclusive.</p> <p>K - Used on PA-28-180 with serial numbers 28-5043 to 28-7105244 inclusive, and PA-28-235 with serial numbers 28-11086 to 28-7110042 inclusive.</p> <p>L - Used on PA-28-180 with serial numbers 28-5043 to 28-5869 inclusive, and PA-28-235 with serial numbers 28-11086 to 28-11393 inclusive.</p>	

When ordering, always specify Part Number, Description, and Serial Number of Aircraft

PA-28-140
PA-28-180
PA-28-235
PA-28R-180
PA-28R-200

PIPER PARTS CATALOG

Figure and Index Number	Part Number	Code	NOMENCLATURE	No. Req.	SERIAL NUMBERS AFFECTED
17 -3	67231-025	E	COVER ASSEMBLY - Instrument panel, lower right, green	1	
	67231-027	E	COVER ASSEMBLY - Instrument panel, lower right, white	1	
	67231-026	E	COVER ASSEMBLY - Instrument panel, lower right, black	1	
	67231-030	J	COVER ASSEMBLY - Instrument panel, lower right, blue/green	1	
	66735 000	D	COVER ASSEMBLY - Instrument panel, lower right, black	1	28-25000 to 28-7125651 incl.
	99672-011	D	COVER ASSEMBLY - Instrument panel, lower right, black	1	28-7225001 to 28-7525302 incl.
	99672-008	G	COVER ASSEMBLY - Instrument panel, lower right, red	1	
	99672-010	G	COVER ASSEMBLY - Instrument panel, lower right, tan	1	
	99672-013	G	COVER ASSEMBLY - Instrument panel, lower right, green	1	
	99672-012	G	COVER ASSEMBLY - Instrument panel, lower right, white	1	
	99672-011	G	COVER ASSEMBLY - Instrument panel, lower right, black	1	
	99672-009	G	COVER ASSEMBLY - Instrument panel, lower right, blue/green	1	
	99672-014	C	COVER ASSEMBLY - Instrument panel, lower right, red	1	28R-7235001 to 28R-7535217 incl.
	99672-016	C	COVER ASSEMBLY - Instrument panel, lower right, tan	1	28R-7235001 to 28R-7535217 incl.
	99672-019	C	COVER ASSEMBLY - Instrument panel, lower right, green	1	28R-7235001 to 28R-7535217 incl.
	99672-018	C	COVER ASSEMBLY - Instrument panel, lower right, white	1	28R-7235001 to 28R-7535217 incl.
	99672-017	C	COVER ASSEMBLY - Instrument panel, lower right, black	1	28R-7235001 to 28R-7535217 incl.
99672-015	C	COVER ASSEMBLY - Instrument panel, lower right, blue/green	1	28R-7235001 to 28R-7535217 incl.	
-3a	69545-000	B	* PLACARD - Alternate air	1	
	65835-000	H	* PLACARD - Carburetor heat	1	
	69544-000	D,F	* PLACARD - Carburetor heat	1	
			<p>A - Used on PA-28-180 with serial numbers 28-4378 and up, PA-28-235 with serial numbers 28-11040 and up, PA-28-140 with serial numbers 28-25000 and up, PA-28R-180 and PA-28R-200 airplanes.</p> <p>B - Used on PA-28R-180 and PA-28R-200 airplanes only.</p> <p>C - Used on PA-28R-200 airplanes only.</p> <p>D - Used on PA-28-140 airplanes only.</p> <p>E - Used on PA-28-180 with serial numbers 28-5601 to 28-7105244 inclusive, and PA-28-235 with serial numbers 28-11301 to 28-7110042 inclusive.</p> <p>F - Used on PA-28-180 with serial numbers 28-5043 to 28-7505212 inclusive, and PA-28-235 with serial numbers 28-11086 to 28-7510062 inclusive.</p> <p>G - Used on PA-28-180 with serial numbers 28-7205001 to 28-7505212 inclusive, and PA-28-235 with serial numbers 28-7210001 to 28-7510062 inclusive.</p> <p>H - Used on PA-28-180 with serial numbers 28-4378 to 28-5042 inclusive, and PA-28-235 with serial numbers 28-11040 to 28-11085 inclusive.</p> <p>J - Used on PA-28-180 with serial numbers 28-7105001 to 28-7105244 inclusive, and PA-28-235 with serial numbers 28-7110001 to 28-7110042 inclusive.</p>		

PA-28-140
PA-28-180
PA-28-235
PA-28R-180
PA-28R-200

When ordering, always specify Part Number, Description, and Serial Number of Aircraft

PIPER PARTS CATALOG

Figure and Index Number	Part Number	Code	NOMENCLATURE	No. Req.	SERIAL NUMBERS AFFECTED	
17 -3b	99667-002	K	COVER ASSEMBLY - Circuit breaker panel, red	1	28-26401 to 28-7225612 incl.	
	99667-004	K	COVER ASSEMBLY - Circuit breaker panel, tan	1		
	99667-007	K	COVER ASSEMBLY - Circuit breaker panel, green	1		
	99667-006	K	COVER ASSEMBLY - Circuit breaker panel, white	1		
	99667-005	H,K	COVER ASSEMBLY - Circuit breaker panel, black	1		
	99667-003	K	COVER ASSEMBLY - Circuit breaker panel, blue-green	1		
	69571-002	G	COVER ASSEMBLY - Circuit breaker panel, red	1		
	69571-004	G	COVER ASSEMBLY - Circuit breaker panel, tan	1		
	69571-007	G	COVER ASSEMBLY - Circuit breaker panel, green	1		
	69571-006	G	COVER ASSEMBLY - Circuit breaker panel, white	1		
	69571-005	G,J	COVER ASSEMBLY - Circuit breaker panel, black	1		
	69571-003	G	COVER ASSEMBLY - Circuit breaker panel, blue/green	1		
	-4	67228-002	C,F	COVER - Instrument panel, left		1
		67228-004	E	COVER - Instrument panel, left		1
		67228-009	L	COVER - Instrument panel, left		1
		66999-002	8	COVER - Instrument panel, left		1
		66999-004	D	COVER - Instrument panel, left		1
<p>A - Used on PA-28-180 with serial numbers 28-4378 and up, PA-28-235 with serial numbers 28-11040 and up, PA-28-140 with serial numbers 28-25000 and up, PA-28R-180 and PA-28R-200 airplanes.</p> <p>B - Used on PA-28-180 with serial numbers 28-5601 to 28-7205328 inclusive, PA-28-235 with serial numbers 28-11301 to 28-7210033 inclusive, PA-28R-180 with serial numbers 28R-31251 to 28R-7130019 inclusive, and PA-28R-200 with serial numbers 28R-35601 to 28R-7235330 inclusive.</p> <p>C - Used on PA-28-180 with serial numbers 28-4378 to 28-5600 inclusive, and PA-28-235 with serial numbers 28-11040 to 28-11300 inclusive.</p> <p>D - Used on PA-28-140 airplanes only.</p> <p>E - Used on PA-28-140 with serial numbers 28-25000 to 28-26400 inclusive, 28-7325001 and up.</p> <p>F - Used on PA-28R-180 with serial numbers 28R-30005 to 28R-30481 inclusive, 28R-30483 to 28R-31250 inclusive, and PA-28R-200 with serial numbers 28R-30482, 28R-35001 to 28R-35600 inclusive.</p> <p>G - Used on PA-28-180 with serial numbers 28-7305001 to 28-7505212 inclusive, PA-28-235 with serial numbers 28-7310001 to 28-7510062 inclusive, and PA-28R-200 with serial numbers 28R-7335001 to 28R-7535217 inclusive.</p> <p>H - Used on PA-28-140 with serial numbers 28-7225001 to 28-7225612 inclusive.</p> <p>J - Used on PA-28-140 with serial numbers 28-7325001 to 28-7525302 inclusive.</p> <p>K - Used on PA-28-180 with serial numbers 28-7205001 to 28-7205328 inclusive, PA-28-235 with serial numbers 28-7210001 to 28-7210033 inclusive, and PA-28R-200 with serial numbers 28R-7235001 to 28R-7235330 inclusive.</p> <p>L - Used on PA-28-180 with serial numbers 28-7305001 and up, PA-28-235 with serial numbers 28-7310001 and up, and PA-28R-200 with serial numbers 28R-7335001 and up.</p>						

When ordering, always specify Part Number, Description, and Serial Number of Aircraft

PA-28-140
PA-28-180
PA-28-235
PA-28R-180
PA-28R-200

PIPER PARTS CATALOG

Figure and Index Number	Part Number	Code	NOMENCLATURE	No. Req.	SERIAL NUMBERS AFFECTED	
17 -5	67425-000	F	PLACARD - Landing check list, mph	1		
	66985-000	G	PLACARD - Landing check list, mph	1		
	67878-000	B	PLACARD - Landing check list, mph	1	28R-7235001 and up	
	67878-002	B	PLACARD - Landing check list, knots	1	28R-7235001 and up	
	65833 000	C,L	PLACARD - Landing check list, mph	1		
	66724-000	E,H,L	PLACARD - Landing check list, mph	1		
	99885-000	K,L	PLACARD - Landing check list, mph	1		
	99885-002	K,L	PLACARD - Landing check list, knots	1		
	69669-123	L,M	PLACARD - Landing check list, knots	1	28-7725001 and up	
	99807-000	D	PLACARD - Landing check list, mph	1	28-7310001 to 28-7610206 incl.	
	69669-124	D	PLACARD - Landing check list, knots	1	28-7710001 and up	
	-6	67426-000	F	PLACARD - Take-off check list	1	
		99138-000	G	PLACARD - Take-off check list	1	
		67879-000	B	PLACARD - Take-off check list	1	28R-7235001 and up
		65834-000	C,L	PLACARD - Take-off check list	1	
		66725-000	E,H,L	PLACARD - Take-off check list	1	
		99886-000	J,L	PLACARD - Take-off check list	1	
99808-000		D	PLACARD - Take-off check list	1	28-7310001 and up	
<p>A - Used on PA-28-180 with serial numbers 28-4378 and up, PA-28-235 with serial numbers 28-11040 and up, PA-28-140 with serial numbers 28-25000 and up, PA-28R-180 and PA-28R-200 airplanes.</p> <p>B - Used on PA-28R-200 airplanes only.</p> <p>C - Used on PA-28-180 with serial numbers 28-4378 to 28-5600 inclusive, and PA-28-235 with serial numbers 28-11040 to 28-11300 inclusive.</p> <p>D - Used on PA-28-235 airplanes only.</p> <p>E - Used on PA-28-180 with serial numbers 28-5601 to 28-7105244 inclusive, and PA-28-235 with serial number 28-11301 to 28-7110042 inclusive.</p> <p>F - Used on PA-28R-180 with serial numbers 28R-30005 to 28R-30481 inclusive, 28R-30483 to 28R-31250 inclusive, and PA-28R-200 with serial numbers 28R-30482, 28R-35001 to 28R-35600 inclusive.</p> <p>G - Used on PA-28R-180 with serial numbers 28R-31251 to 28R-7130019 inclusive, and PA-28R-200 with serial numbers 28R-35601 to 28R-7135238 inclusive.</p> <p>H - Used on PA-28-140 with serial numbers 28-25000 to 28-7125471 inclusive.</p> <p>J - Used on PA-28-140 with serial numbers 28-7125472 and up, PA-28-180 with serial numbers 28-7205001 and up, and PA-28-235 with serial numbers 28-7210001 to 28-7210033 inclusive.</p> <p>K - Used on PA-28-140 with serial numbers 28-71 25472 to 28-7625284 inclusive, PA-28-180 with serial numbers 28-7205001 and up, and PA-28-235 with serial number 28-7210001 to 28-7210033 inclusive.</p> <p>L - See Figure 67A if Constant Speed Propeller is installed.</p> <p>M - Used on PA-28-140 airplanes only.</p>						

PA-28-140
PA-28-180
PA-28-235
PA-28R-180
PA-28R-200

When ordering, always specify Part Number, Description, and Serial Number of Aircraft

PIPER PARTS CATALOG

Figure and Index Number	Part Number	Code	NOMENCLATURE	No. Req.	SERIAL NUMBERS AFFECTED
17 -7 -8 -8a -8b	67229-000	C,F	COVER ASSEMBLY - Instrument panel, right	1	28-25000 to 28-7125471 incl.
	67229-004	E,G	COVER ASSEMBLY - Instrument panel, right	1	
	67229-004	D	COVER ASSEMBLY - Instrument panel, right	1	
	67229-006	J	COVER ASSEMBLY - Instrument panel, right	1	
	99513-000	B,K	COVER ASSEMBLY - Instrument panel, right	1	
	99513-003	H	COVER ASSEMBLY - Instrument panel, right	1	
	76311-000	L,M	COVER ASSEMBLY - Instrument panel, right	1	
	99484-000	B,K	* PLACARD - Climate control center	1	
	79112-000	H	* PLACARD - Climate control center	1	
	67241-000		PLACARD - Heater and defroster	1	
	35669-028		PLACARD - Heater and defroster (lift to actuate)	1	
	69669-025	L,M	PLACARD - Vent fan	1	
				<p>A - Used on PA-28-180 with serial numbers 28-4378 and up, PA-28-235 with serial numbers 28-11040 and up, and PA-28-140 with serial numbers 28-25000 and up, PA-28R-180 and PA-28R-200 airplanes.</p> <p>B - Order part for PA-28-140 with serial numbers 28-7325058 and up, PA-28-180 with serial numbers 28-7305072 and up, and PA-28R-200 with serial numbers 28R-7335058 and up if Air Conditioning Control System Modification Kit has been installed.</p> <p>C - Used on PA-28-180 with serial numbers 28-4378 to 28-5600 inclusive, and PA-28-235 with serial numbers 28-11040 to 28-11300 inclusive.</p> <p>D - Used on PA-28-140 airplanes only.</p> <p>E - Used on PA-28-180 with serial numbers 28-5601 to 28-7105244 inclusive, and PA-28-235 with serial numbers 28-11301 to 28-7110042 inclusive.</p> <p>F - Used on PA-28R-180 with serial numbers 28R-30005 to 28R-30481 inclusive, 28R-30483 to 28R-31250 inclusive, and PA-28R-200 with serial numbers 28R-30482, 28R-35001 to 28R-35600 inclusive.</p> <p>G - Used on PA-28R-180 with serial numbers 28R-31251 to 28R-7130019 inclusive, and PA-28R-200 with serial numbers 28R-35601 to 28R-7135238 inclusive.</p> <p>H - Used on PA-28-140 with serial numbers 28-7325058 and up, PA-28-180 with serial numbers 28-7305072 and up, and PA-28R-200 with serial numbers 28R-7335058 and up if air conditioning is installed.</p> <p>J - Used on PA-28-140 with serial numbers 28-7125472 and up, PA-28-180 with serial numbers 28-7205001 and up, PA-28-235 with serial numbers 28-7210001 and up, and PA-28R-200 with serial numbers 28R-7235001 and up.</p> <p>K - Used on PA-28-140 with serial numbers 28-25001, 28-7125472 to 28-7325057 inclusive, PA-28-180 with serial numbers 28-5653, 28-7205092 to 28-7305072 inclusive, and PA-28R-200 with serial numbers 28R-7235002 to 28R-7335075 inclusive if air conditioning is installed.</p> <p>L - Used on PA-28-140 with serial numbers 28-7425001 and up, PA-28-180 with serial numbers 28-7405001 and up, PA-28-235 with serial numbers 28-7410001 and up, and PA-28R-200 with serial numbers 28R-7435001 and up.</p> <p>M - Used if fresh air blower is installed.</p>	

When ordering, always specify Part Number, Description, and Serial Number of Aircraft

PA-28-140
PA-28-180
PA-28-235
PA-28R-180
PA-28R-200

PIPER PARTS CATALOG

Figure and Index Number	Part Number	Code	NOMENCLATURE	No. Req.	SERIAL NUMBERS AFFECTED	
17 -9	67227-005	B	COVER ASSEMBLY - Upper instrument panel, black			
	67227-007	G	COVER ASSEMBLY - Upper instrument panel, black	1	28R-30879 to 28R-31279 incl.	
	67227-010	G	COVER ASSEMBLY - Upper instrument panel, black	1	28R-7130001 to 28R-7130019 incl.	
	67227-008	C	COVER ASSEMBLY - Upper instrument panel, black			
	67227-010	J	COVER ASSEMBLY - Upper instrument panel, black	1	28R-7135001 to 28R-7135238 incl.	
	67227-016	J	COVER ASSEMBLY - Upper instrument panel, tan	1	28R-7235001 to 28R-7235330 incl.	
	65839-003	F	COVER ASSEMBLY - Upper instrument panel, black	1	284378 to 28-5129 inclusive, 28-5181 to 28-5227 inclusive	
	65839-006	F	COVER ASSEMBLY - Upper instrument panel, black	1	28-5130 to 28-5180 inclusive, 28-5228 to 28-5869 inclusive	
	67227-012	F	COVER ASSEMBLY - Upper instrument panel, black	1	28-7105001 to 28-7105244 incl.	
	67227-017	F	COVER ASSEMBLY - Upper instrument panel, tan	1	28-7205001 to 28-7205328 incl.	
	65839-004	E	COVER ASSEMBLY - Upper instrument panel, black	1	28-11040 to 28-11393 inclusive	
	67227-011	E	COVER ASSEMBLY - Upper instrument panel, black	1	28-7110001 to 28-7110042 incl.	
	67227-015	E	COVER ASSEMBLY - Upper instrument panel, tan	1	28-7210001 to 28-7210033 incl.	
	66736-000	D	COVER ASSEMBLY - Upper instrument panel, black	1	28-25000 to 28-26956 inclusive	
	67227-012	D	COVER ASSEMBLY - Upper instrument panel, black	1	28-7125001 to 28-7125651 incl.	
	67227-017	D	COVER ASSEMBLY - Upper instrument panel, tan	1	28-7225001 to 28-7225612 incl.	
	67227-012	H	COVER ASSEMBLY - Upper instrument panel, black	1	28-7125174 to 28-7225612 incl.	
	99959-000	D,L	COVER ASSEMBLY - Upper instrument panel, left	1	28-7325001 to 28-7425454 incl.	
	99959-002	J,L	COVER ASSEMBLY - Upper instrument panel, left	1	28R-7335001 to 28R-7435331 incl.	
	99959-003	E,L	COVER ASSEMBLY - Upper instrument panel, left	1	28-7310001 to 28-7410120 incl.	
	99959-007	F,L	COVER ASSEMBLY - Upper instrument panel, left	1	28-7305001 to 28-7405290 incl.	
	79044-006	K,L	COVER ASSEMBLY - Upper instrument panel, left	1		
	76477-002	J,L,M	COVER ASSEMBLY - Upper instrument panel, left	1	28R-7635001 and up	
				<p>A - Used on PA-28-180 with serial numbers 28-4378 and up, PA-28-235 with serial numbers 28-11040 and up, PA-28-140 with serial numbers 28-25000 and up. PA-28R-180 and PA-28R-200 airplanes.</p> <p>B - Used on PA-28R-180 with serial numbers 28R-30005 to 28R-30481 inclusive, 28R-30483 to 28R-30878 inclusive.</p> <p>C - Used on PA-28R-200 with serial numbers 28R-30482, 28R-35001 to 28R-35830 inclusive.</p> <p>D - Used on PA-28-140 airplanes only.</p> <p>E - Used on PA-28-235 airplanes only.</p> <p>F - Used on PA-28-180 airplanes only.</p> <p>G - Used on PA-28R-180 airplanes only.</p> <p>H - Used on PA-28-140 Flite Liner model.</p> <p>J - Used on PA-28R-200 airplanes only.</p> <p>K - Used on PA-28-140 with serial numbers 28-7525001 and up, PA-28-180 with serial numbers 28-7505001 and up, PA-28-235 with serial numbers 28-7510001 and up, and PA-28R-200 with serial numbers 28R-7535001 and up.</p> <p>L - When ordering, specify color gold, blue, green, gray, red, black or bark. Specify color "Bark I" for PA-28-140 with serial numbers 28-7725001 to 28-7725174 inclusive, PA-28-235 with serial numbers 28-7710001 to 28-7710010 inclusive, and PA-28R-200 with serial numbers 28R-7635504 and up. Specify color "Bark II" or black for PA-28-140 with serial numbers 28-7725175 and up, and PA-28-235 with serial numbers 28-7710011 and up.</p> <p>M - Used if NSD-360 is installed.</p>		

PA-28-140
PA-28-180
PA-28-235
PA-28R-180
PA-28R-200

When ordering, always specify Part Number, Description, and Serial Number of Aircraft

PIPER PARTS CATALOG

Figure and Index Number	Part Number	Code	NOMENCLATURE	No. Req.	SERIAL NUMBERS AFFECTED	
17 -9	99959 004	K,L	COVER ASSEMBLY - Upper instrument panel, right	1		
	99959-005	E,L	COVER ASSEMBLY - Upper instrument panel, right	1	28-7310001 and up	
-10	63154-002	G	* STIFFENER - Upper instrument panel, left	1		
	63154-003	G	* STIFFENER - Upper instrument panel, right	1		
-10a	67722-000	H	* STIFFENER - Upper instrument panel	1		
	65862-000	F	PLACARD - Maneuvering speed, mph	1		
	65182-002	C	PLACARD - Maneuvering speed, mph	1	28-4378 to 28-7205328 incl.	
-10b	99735-003	C	PLACARD - Maneuvering speed, knots	1	28-4378 to 28-7205328 incl.	
	65779 000	C	PLACARD - Operating limitations, mph	1	28-4378 to 28-5227 inclusive	
-10c	66532-000	C	PLACARD - Operating limitations	1	28-4378 to 28-5227 inclusive	
-11	67428-000	B	PLACARD - Maneuvers limitations	1		
-12	99875-000	J	PLACARD - Maneuvering speed, mph	1	28R-7235001 and up	
	76223 000	J	PLACARD - Maneuvering speed, knots	1	28R-7235001 and up	
-12a	65182-002	D	PLACARD - Maneuvering speed, mph	1	28-25000 to 28-7625284 incl.	
	99735-003	D	PLACARD - Maneuvering speed, knots	1	28-25000 to 28-7625284 incl.	
	69669-134	D	PLACARD - Maneuvering speed, knots	1	28-7725001 and up	
	65182 004	C	PLACARD - Maneuvering speed, mph	1	28-7305001 and up	
	99735-002	C	PLACARD - Maneuvering speed, knots	1	28-7305001 and up	
	65182-000	E	PLACARD - Maneuvering speed, mph	1	28-10003 to 28-7610206 incl.	
	99735-000	E	PLACARD - Maneuvering speed, knots	1	28-10003 to 28-7610206 incl.	
	69669-135	E	PLACARD - Maneuvering speed, knots	1	28-7710001 and up	
	65863-000		PLACARD - Crosswind component, mph	1		
	76222-000		PLACARD - Crosswind component, knots	1		
				<p>A - Used on PA-28-180 with serial numbers 28-4378 and up, PA-28-235 with serial numbers 28-11040 and up, PA-28-140 with serial numbers 28-25000 and up, PA-28R-180 and PA-28R-200 airplanes.</p> <p>B - Used on PA-28R-180 and PA-28R-200 airplanes only.</p> <p>C - Used on PA-28-180 airplanes only.</p> <p>D - Used on PA-28-140 airplanes only.</p> <p>E - Used on PA-28-235 airplanes only.</p> <p>F - Used on PA-28R-200 with serial numbers 28R-30482, 28R-35001 to 28R-7135238 inclusive, and PA-28R-180.</p> <p>G - Used on PA-28-180 with serial numbers 28-4378 to 28-4677 inclusive, and PA-28R-180 with serial numbers 28R-30005 to 28R-30478 inclusive.</p> <p>H - Used on PA-28-180 with serial numbers 28-4678 to 28-7205328 inclusive, PA-28R-180 with serial numbers 28R-30479 and up, PA-28R-200 with serial numbers 28R-30482, 28R-35001 to 28R-7235330 inclusive, PA-28-235 with serial numbers 28-11040 to 28-7210033 inclusive, and PA-28-140 with serial numbers 28-25000 to 28-7225612 inclusive.</p> <p>J - Used on PA-28R-200 airplanes only.</p> <p>K - Used on PA-28-140 with serial numbers 28-7325001 and up, PA-28-180 with serial numbers 28-7305001 and up, and PA-28R-200 with serial numbers 28R-7335001 and up.</p> <p>L - When ordering, specify color gold, blue, green, grey, red, black or bark. Specify color "Bark I" for PA-28-140 with serial numbers 28-7725001 to 28-7725174 inclusive, PA-28-235 with serial numbers 28-7710001 to 28-7710010 inclusive, and PA-28R-200 with serial numbers 28R-7635504 and up. Specify color "Bark II" or black for PA-28-140 with serial numbers 28-7725175 and up, and PA-28-235 with serial numbers 28-7710011 and up.</p>		

When ordering, always specify Part Number, Description, and Serial Number of Aircraft

PA-28-140
PA-28-180
PA-28-235
PA-28R-180
PA-28R-200

PIPER PARTS CATALOG

Figure and Index Number	Part Number	Code	NOMENCLATURE	No. Req.	SERIAL NUMBERS AFFECTED
17 -12b	63408-000	C,D,M	PLACARD - Oil cooler winterization	1	
-12c	69669-039	N	PLACARD - Annunciator, press to test	1	
-13	450-712	K	COMPASS ASSEMBLY - Red light (C-2400-L4P)	1	
	550-805	K	COMPASS ASSEMBLY - Blue/white light (C-2400-L4P-B)	1	
-13a	67462-006	B,L	COMPASS ASSEMBLY - (C-2200-L4-B)	1	
-13b	79650-002		* HOLDER - Compass card	1	
-14	62177-005	G,P	INSTRUMENT - Tachometer assembly	1	
	62177-019	H,P	INSTRUMENT - Tachometer assembly	1	28R-30482, 28R-35001 to 28R-7635516 inclusive
	87379-003	H,O,P	INSTRUMENT - Tachometer assembly	1	28R-7635517 and up
	62177-010	C,P	INSTRUMENT - Tachometer assembly	1	28-1761 to 28-3555, 28-3557 to 28-3572, 28-3574 to 28-3626 incl.
	87379-003	J,P	INSTRUMENT - Tachometer assembly	1	
	62177-004	E,P	INSTRUMENT - Tachometer assembly	1	
	87379-003	D,P	INSTRUMENT - Tachometer assembly	1	
	62177-008	F,P	INSTRUMENT - Tachometer assembly	1	28-7125174 and up
<p>A - Used on PA-28-180 with serial numbers 28-4378 and up, PA-28-235 with serial numbers 28-11040 and up, PA-28-140 with serial numbers 28-25000 and up, PA-28R-180 and PA-28R-200 airplanes.</p> <p>B - Used on PA-28-140 with serial numbers 28-25000 to 28-7525350 inclusive, PA-28-180 with serial numbers 28-4378 to 28-7505261 inclusive, PA-28-235 with serial numbers 28-11040 to 28-7510145 inclusive. PA-28R-180 with serial numbers 28R-30001 to 28R-7130019 inclusive, and PA-28R-200 with serial numbers 28R-35001 to 28R-7535393 inclusive if Magnetic Compass Relocation Kit 760 795 has been installed per Piper Service Letter 761.</p> <p>C - Used on PA-28-180 airplanes only.</p> <p>D - Used on PA-28-140 airplanes only.</p> <p>E - Used on PA-28-235 airplanes only.</p> <p>F - Used on PA-28-140 Flite Liner Model.</p> <p>G - Used on PA-28R-180 airplane only.</p> <p>H - Used on PA-28R-200 airplanes only.</p> <p>J - Used on PA-28-180 with serial numbers 28-3556, 28-3573, 28-3627 and up.</p> <p>K - Used on PA-28-180 with serial numbers 28-4378 and up, PA-28-235 with serial numbers 28-11040 to 28-7510145 inclusive, PA-28-140 with serial numbers 28-25000 to 28-7525350 inclusive, PA-28R-180 and PA-28R-200 with serial numbers 28R-30482, 28R-35001 to 28R-7535352 inclusive.</p> <p>L - Used on PA-28-140 with serial numbers 28-7625001 and up, PA-28-235 with serial numbers 28-7610001 and up, and PA-28R-200 with serial numbers 28R-7535353 and up.</p> <p>M - Used on PA-28R-180 and PA-28R-200 airplanes only.</p> <p>N - Used on PA-28-140 with serial numbers 28-7525001 and up, PA-28-180 with serial numbers 28-7505001 and up, PA-28-235 with serial numbers 28-7510001 and up, and PA-28R-200 with serial numbers 28R-7535001 and up.</p> <p>O - Reference latest revision of Piper Service Bulletin 1164 on Propeller RPM Limitation and Tachometer Re-Marking in the PA-28R-200 Arrow with serial numbers 28R-35001 through 28R-35820 inclusive, 28R-7135001 through 28R-7235001 through 28R-7635545 inclusive and PA-28R-200 Arrow II with serial numbers 28R-7235001 through 28R-7635545 inclusive using Kit No. 767-510.</p> <p>P - Reference Service Letter 526 if aircraft is a PA-28 Cherokee model with Lycoming O-360-A3A engine and Sensenich propeller model M76EMM-0, M76EMMS-0, 76EM8S5-0 or 76EM8-0.</p>					

PA-28-140
PA-28-180
PA-28-235
PA-28R-180
PA-28R-200

When ordering, always specify Part Number, Description, and Serial Number of Aircraft

PIPER PARTS CATALOG

Figure and Index Number	Part Number	Code	NOMENCLATURE	No. Req.	SERIAL NUMBERS AFFECTED	
17 -15	550-729	B	INSTRUMENT - True airspeed indicator, mph (67433-02)	1	28R-30005 to 28R-30481 incl., 28R-30483 to 28R-7130019 incl.	
	550-470	F	INSTRUMENT - True airspeed indicator, mph	1		
	550-600	C	INSTRUMENT - True airspeed indicator, mph (62143-02)	1	28-4378 to 28-7205328 incl.	
	550-456	C	INSTRUMENT - True airspeed indicator, mph	1	28-7305001 to 28-7505261 incl.	
	550-617	E	INSTRUMENT - True airspeed indicator, mph (62143-03)	1	28-11040 to 28-7210033 incl.	
	550-459	E	INSTRUMENT - True airspeed indicator, mph	1	28-7310001 to 28-7610206 incl.	
	548-119	E	INSTRUMENT - True airspeed indicator, knots	1	28-7710001 and up	
	450-799	D	INSTRUMENT - True airspeed indicator, mph (62143-00)	1	28-25000 to 28-7625284 incl.	
	550-506	D	INSTRUMENT - True airspeed indicator, knots (9963242)	1	28-25000 to 28-7625284 incl.	
	548-111	D	INSTRUMENT - True airspeed indicator, knots	1	28-7725001 and up	
	-16	550-730	B	INSTRUMENT - Airspeed indicator, mph (67434-02)	1	28R-30005 to 28R-30481 incl. 28R-30483 to 28R-7130019 incl. 28R-30005 to 28R-30481 incl.
		550-509	B	INSTRUMENT - Airspeed indicator, knots (99632-05)	1	28R-30005 to 28R-7130019 incl. 28R-30483 to 28R-7130019 incl.
		550-469	F	INSTRUMENT - Airspeed indicator, mph	1	
		550-463	F	INSTRUMENT - Airspeed indicator, knots	1	
		450-793	C	INSTRUMENT - Airspeed indicator, mph (63205-02)	1	28-4378 to 28-7205328 incl.
550-507		C	INSTRUMENT - Airspeed indicator, knots (99632-03)	1	28-4378 to 28-7205328 incl.	
550-460		C	INSTRUMENT - Airspeed indicator, knots	1	28-7305001 to 28-7505261 incl.	
550-457		C	INSTRUMENT - Airspeed indicator, mph	1	28-7305001 to 28-7505261 incl.	
550-618		E	INSTRUMENT - Airspeed indicator, mph (6320503)	1	28-11040 to 28-7210033 incl.	
550-458		E	INSTRUMENT - Airspeed indicator, mph	1	28-7310001 to 28-7610206 incl.	
548-118		E	INSTRUMENT - Airspeed indicator, knots	1	28-7710001 and up	
450-762		D	INSTRUMENT - Airspeed indicator, mph (63205-00)	1	28-25000 to 28-7625284 incl.	
550-505		D	INSTRUMENT - Airspeed indicator, knots (99632-00)	1	28-25000 to 28-7625284 incl.	
548-110		D	INSTRUMENT - Airspeed indicator, knots	1	28-7725001 and up	
-17		755-441	B	INSTRUMENT - Manifold pressure and fuel flow gauge	1	
	99022-000	F	INSTRUMENT - Manifold pressure and fuel flow gauge	1		
	751-118	C,E	INSTRUMENT - Manifold pressure gauge (AN5770-1A)	1		
-18	99010-002		INSTRUMENT - Rate of climb	1		
-19	755-427	G	INSTRUMENT - Directional gyro (3 inch)	1		
-20	755-428	G	INSTRUMENT - Gyro horizon	1		
	99002-006	G	INSTRUMENT - Gyro horizon (with adjusting knob covered)	1		

A - Used on PA-28-180 with serial numbers 28-4378 and up, PA-28-235 with serial numbers 28-11040 and up, PA-28-140 with serial numbers 28-25000 and up, PA-28R-180 and PA-28R-200 airplanes.
 B - Used on PA-28R-180 airplanes only.
 C - Used on PA-28-180 airplanes only.
 D - Used on PA-28-140 airplanes only.
 E - Used on PA-28-235 airplanes only.
 F - Used on PA-28R-200 airplanes only.
 G - See Figure 90 if AutoControl III or Auto Control IIIB is installed.

When ordering, always specify Part Number, Description, and Serial Number of Aircraft

PIPER PARTS CATALOG

Figure and Index Number	Part Number	Code	NOMENCLATURE	No. Req.	SERIAL NUMBERS AFFECTED
17 -21	548-153	H,J	INSTRUMENT - Altimeter, standard (scale in inches of mercury to 20,000 feet)	1	
	550-493		INSTRUMENT - Altimeter, sensitive (scale in inches of mercury to 20,000 feet)	1	
	550-491		INSTRUMENT - Altimeter, sensitive (scale in millibars to 20,000 feet)	1	
	548-039		INSTRUMENT - Altimeter, encoding (scale in inches of mercury to 35,000 feet)	1	
	548-040		INSTRUMENT - Altimeter, encoding (scale in millibars to 35,000 feet)	1	
-22	550-483	G	INSTRUMENT - Turn and bank (1234T100-5) electric	1	
	548-190	F,G	INSTRUMENT - Turn coordinator (1394T100) electric	1	
-23	99478-000		INSTRUMENT - Clock	1	
	548-679		INSTRUMENT - Clock, electric (CA7287)	1	
-24	472-969		LIGHTER - Cigar	1	
-25	67431-000		PLATE - Instrument panel	6	
-26	67431-004		PLATE - Instrument panel	3	
-27	67431-000	B	PLATE ASSEMBLY - Instrument panel	1	
	67475-000	C	PLATE ASSEMBLY - Instrument panel	1	28-4378 to 28-7205328 incl.
	67475-002	C	PLATE ASSEMBLY - Instrument panel	1	28-7305001 and up
	69242-000	E	PLATE ASSEMBLY - Instrument panel	1	28-11040 to 28-7610206 incl.
	66645-000	D	PLATE ASSEMBLY - Instrument panel	1	28-25000 to 28-7625284 incl.
	67431-000	D	PLATE ASSEMBLY - Instrument panel	1	28-7725001 and up
-28	453-687		BUTTON - Plug (SS 48189)	1	
-29	69169-000	G	PLATE ASSEMBLY - Pictorial rate of turn	1	
-30	67466-000		COVER - Pictorial rate of turn	1	
<p>A - Used on PA-28-180 with serial numbers 28-4378 and up, PA-28-235 with serial numbers 28-11040 and up, PA-28-140 with serial numbers 28-25000 and up, PA-28R-180 and PA-28R-200 airplanes.</p> <p>B - Used on PA-28R-180 and PA-28R-200 airplanes only.</p> <p>C - Used on PA-28-180 airplanes only.</p> <p>D - Used on PA-28-140 airplanes only.</p> <p>E - Used on PA-28-235 airplanes only.</p> <p>F - Order this instrument as a replacement for Mitchell Turn and Bank 52D69 or Part Number 41711-02 (Brittain Part Number 1681A) which are no longer available. Cable assembly Part Number 63759-002 must also be ordered when the Mitchell Turn and Bank 52D69 is being replaced.</p> <p>G - See Figure 86A if AutoFlite II is installed.</p> <p>H - Used on PA-28-140 with serial numbers 28-7725001 and up, PA-28-235 with serial numbers 28-7710001 and up, and PA-28R-200 with serial numbers 28R-7735001 and up.</p> <p>J - Instrument not approved for IFR.</p>					

PA-28-140
PA-28-180
PA-28-235
PA-28R-180
PA-28R-200

When ordering, always specify Part Number, Description, and Serial Number of Aircraft

PIPER PARTS CATALOG

Figure and Index Number	Part Number	Code	NOMENCLATURE	No. Req.	SERIAL NUMBERS AFFECTED
17 -31	67441-002	H,J	CLUSTER ASSEMBLY - Instrument, left	1	
	67441-003	H	CLUSTER ASSEMBLY - Instrument, right	1	
	65852-002	J	CLUSTER ASSEMBLY - Instrument, right	1	
	95241-002	K	CLUSTER ASSEMBLY - Instrument, left	1	
	95241-011	L	CLUSTER ASSEMBLY - Instrument, left	1	
	95241-003	C	CLUSTER ASSEMBLY - Instrument, right	1	
	95241-013	G	CLUSTER ASSEMBLY - Instrument, right	1	28R-7335001 and up
	95241-004	D	CLUSTER ASSEMBLY - Instrument, right	1	28-4378 to 28-7205328 incl.
	95241-014	D	CLUSTER ASSEMBLY - Instrument, right	1	28-7305001 and up
	95241-005	E	CLUSTER ASSEMBLY - Instrument, right	1	28-11040 to 28-7210033 incl.
	95241-015	E	CLUSTER ASSEMBLY - Instrument, right	1	28-7310001 and up
	95241-007	F	CLUSTER ASSEMBLY - Instrument	1	28-25000 to 28-7125651 incl.
	95241-012	F	CLUSTER ASSEMBLY - Instrument	1	28-7225001 to 28-7225612 incl.
	95241-017	F	CLUSTER ASSEMBLY - Instrument	1	28-7325001 and up
-31a	79381-000		LENS	1	
-32	79364-000		* INSTRUMENT - Fuel gauge, left main	1	
	79363-000		* INSTRUMENT - Fuel gauge, right main	1	
-33	79371-000	B	* INSTRUMENT - Fuel pressure	1	
	79370-000	D,E,F	* INSTRUMENT - Fuel pressure	1	
-34	755-411	H,J	* INSTRUMENT - Voltmeter	1	
-35	79367-000		* INSTRUMENT - Oil temperature	1	
-36	38226-000		* INSTRUMENT - Oil pressure	1	
-37	79362-000		* INSTRUMENT - Ammeter	1	
-38	79376-000		* COVER - Instrument cluster	AR	
-38a	79366-000	E	* INSTRUMENT - Fuel gauge, left tip	1	
	79365-000	E	* INSTRUMENT - Fuel gauge, right tip	1	
-38b	79381	M	* LENS - Cluster assembly	1	
			A - Used on PA-28-180 with serial numbers 28-4378 and up, PA-28-235 with serial numbers 28-11040 and up, PA-28-140 with serial numbers 28-25000 and up, PA-28R-180 and PA-28R-200 airplanes.		
			B - Used on PA-28R-180 and PA-28R-200 airplanes only.		
			C - Used on PA-28R-180 with serial numbers 28R-30738 to 28R-7130019 inclusive, and PA-28R-200 with serial numbers 28R-30482, 28R-35001 to 28R-7235330 inclusive.		
			D - Used on PA-28-180 airplanes only.		
			E - Used on PA-28-235 airplanes only.		
			F - Used on PA-28-140 airplanes only.		
			G - Used on PA-28-140 with serial numbers 28-7325001 to 28-7525350 inclusive, PA-28-180 with serial numbers 28-7305001 and up, PA-28R-200 with serial numbers 28R-7335001 to 28R-7535352 inclusive, and PA-28-235 with serial numbers 28-7310001 to 28-7510145 inclusive.		
			H - Used on PA-28R-180 with serial numbers 28R-30005 to 28R-30481 inclusive, 28R-30483 to 28R-30737 inclusive.		
			J - Used on PA-28-180 with serial numbers 28-4378 to 28-4877 inclusive.		
			K - Used on PA-28-180 with serial numbers 28-4378 to 28-7205328 inclusive, PA-28-235 with serial numbers 28-11040 to 28-7210033 inclusive, PA-28R-180 with serial numbers 28R-30738 to 28R-7130019 inclusive and PA-28R-200 with serial numbers 28R-30482, 28R-35001 to 28R-7135238 inclusive.		
			L - Used on PA-28-180 with serial numbers 28-7305001 and up, PA-28-235 with serial numbers 28-7310001 and up, and PA-28R-200 with serial numbers 28R-7235001 and up.		
			M - Used on PA-28-140 with serial numbers 28-25000 and up, PA-28-180 with serial numbers 28-4878 and up, PA-28-235 with serial numbers 28-11040 and up, PA-28R-180 with serial numbers 28-30738 and up, and PA-28R-200.		

When ordering, always specify Part Number, Description, and Serial Number of Aircraft

PA-28-140
PA-28-180
PA-28-235
PA-28R-180
PA-28R-200

PIPER PARTS CATALOG

Figure and Index Number	Part Number	Code	NOMENCLATURE	No. Req.	SERIAL NUMBERS AFFECTED
17 -39	79124-000	G	SUPPORT ASSEMBLY - Compass, black	1	
-40	751-912		GAUGE - Mixture control indicator (Alcor)	1	
-41	757-310		PROBE ASSEMBLY - Mixture control (Alcor)	1	
-42	756-616		WIRE ASSEMBLY - Mixture control 90" (Alcor)	1	
-43	99479-002		GAUGE - Air temperature (NHM-70)	1	
-44	62943-000	B	COVER ASSEMBLY - Radio opening, 6.56 x 3.25, black	1	
	99060-000	D	COVER ASSEMBLY - Radio opening, 6.56 x 3.25, black	1	
	99060-004	E	COVER ASSEMBLY - Radio opening, 6.56 x 3.25, tan	1	
	99060-006	C,F	COVER ASSEMBLY - Radio opening, 6.56 x 3.25	1	
<p>A - Used on PA-28-180 with serial numbers 28-4378 and up, PA-28-235 with serial numbers 28-11040 and up, PA-28-140 with serial numbers 28-25000 and up, PA-28R-180, and PA-28R-200 airplanes.</p> <p>B - Used on PA-28-140 with serial numbers 28-25000 to 28-26956 inclusive, PA-28-180 with serial numbers 28-4378 to 28-5869 inclusive, PA-28R-180 with serial numbers 28R-30005 to 28R-30481 inclusive, 28R-30483 to 28R-31279 inclusive, PA-28R-200 with serial numbers 28R-30482, 28R-35001 to 28R-35830 inclusive, and PA-28-235 with serial numbers 28-11040 to 28-11393 inclusive.</p> <p>C - When ordering, specify color gold, blue, green, gray or bark Specify color "Bark I" for PA-28-140 with serial numbers 28-7725001 to 28-7725174 inclusive, PA-28-235 with serial numbers 28-7710001 to 28-7710010 inclusive, and PA-28R-200 with serial numbers 28R-7635504 and up, Specify color "Bark II" or black for PA-28-140 with serial numbers 28-7725175 and up, and PA-28-235 with serial numbers 28-7710011 and up.</p> <p>D - Used on PA-28-140 with serial numbers 28-7125001 to 28-7225612 inclusive, PA-28-180 with serial numbers 28-7105001 to 28-7105244 inclusive, PA-28R-180 with serial numbers 28R-7130001 to 28R-7130019 inclusive, PA-28R-200 with serial numbers 28R-7135001 to 28R-7135238 inclusive, and PA-28-235 with serial numbers 28-7110001 to 28-7110042 inclusive.</p> <p>E - Used on PA-28-140 with serial numbers 28-7225001 to 28-7225612 inclusive, PA-28-180 with serial numbers 28-7205001 to 28-7205328 inclusive, PA-28R-200 with serial numbers 28R-7235001 to 28R-7235330 inclusive, and PA-28-235 with serial numbers 28-7210001 to 28-7210033 inclusive.</p> <p>F - Used on PA-28-140 with serial numbers 28-7325001 and up, PA-28-180 with serial numbers 28-7205001 and up, PA-28R-200 with serial numbers 28R-7335001 and up, and PA-28-235 with serial numbers 28-7310001 and up.</p> <p>G - Used on PA-28-140 with serial numbers 28-7325001 to 28-7525350 inclusive, PA-28-180 with serial numbers 28-7305001 and up, PA-28R-200 with serial numbers 28R-7335001 to 28R-7535352 inclusive, and PA-28-235 with serial numbers 28-7310001 to 28-7510145 inclusive.</p>					

PA-28-140
PA-28-180
PA-28-235
PA-28R-180
PA-28R-200

When ordering, always specify Part Number, Description, and Serial Number of Aircraft

PIPER PARTS CATALOG

Figure and Index Number	Part Number	Code	NOMENCLATURE	No. Req.	SERIAL NUMBERS AFFECTED
17 -45	62942-000	B	COVER ASSEMBLY - Radio opening, 6.56 x 2.90, black	1	
	99059-000	D	COVER ASSEMBLY - Radio opening, 6.56 x 2.90, black	1	
	99059-004	E	COVER ASSEMBLY - Radio opening, 6.56 x 2.90, tan	1	
	99059-006	C,F	COVER ASSEMBLY - Radio opening, 6.56 x 2.90	1	
-46	62944-000	B	COVER ASSEMBLY - Radio opening, 6.56 x 3.56, black	1	
	99061-000	D	COVER ASSEMBLY - Radio opening, 6.56 x 3.56, black	1	
	99061-004	E	COVER ASSEMBLY - Radio opening, 6.56 x 3.56, tan	1	
	99061-006	C,F	COVER ASSEMBLY - Radio opening, 6.56 x 3.56	1	
-47	63766-000	B	COVER ASSEMBLY - Radio opening, 6.44 x 1.78, black	1	
	99062-000	D	COVER ASSEMBLY - Radio opening, 6.50 x 1.78, black	1	
	99062-004	E	COVER ASSEMBLY - Radio opening, 6.50 x 1.78, tan	1	
	99062-006	C,F	COVER ASSEMBLY - Radio opening, 6.50 x 1.78	1	
-48	62943-000	B	COVER ASSEMBLY - Radio opening, 6.56 x 3.25, black	1	
	99060-000	D	COVER ASSEMBLY - Radio opening, 6.56 x 3.25, black	1	
	99060-004	E	COVER ASSEMBLY - Radio opening, 6.56 x 3.25, tan	1	
	99061-006	C,F	COVER ASSEMBLY - Radio opening, 6.56 x 3.56	1	
			<p>A - Used on PA-28-180 with serial numbers 28-4378 and up, PA-28-235 with serial numbers 28-11040 and up, PA-28-140 with serial numbers 28-25000 and up, PA-28R-180 and PA-28R-200 airplanes.</p> <p>B - Used on PA-28-140 with serial numbers 28-25000 to 28-26956 inclusive, PA-28-180 with serial numbers 28-4378 to 28-5869 inclusive, PA-28R-180 with serial numbers 28R-30005 to 28R-30481 inclusive, 28R-30483 to 28R-31279 inclusive, PA-28R-200 with serial numbers 28R-30482, 28R-35001 to 28R-35830 inclusive, and PA-28-235 with serial numbers 28-11040 to 28-11393 inclusive.</p> <p>C - When ordering, specify color gold, blue, green, gray, black, or bark. Specify color "Bark I" for PA-28-140 with serial numbers 28-7725001 to 28-7725174 inclusive, PA-28-235 with serial numbers 28-7710001 to 28-7710010 inclusive, and PA-28R-200 with serial numbers 28R-7635504 and up. Specify color "Bark II" for PA-28-140 with serial numbers 28-7725175 and up, and PA-28-235 with serial numbers 28-7710011 and up.</p> <p>D - Used on PA-28-140 with serial numbers 28-71 25001 to 28-722561 2 inclusive, PA-28-180 with serial numbers 28-7105001 to 28-7105244 inclusive, PA-28R-180 with serial numbers 28R-7130001 to 28R-7130019 inclusive, PA-28R-200 with serial numbers 28R-7135001 to 28R-7135238 inclusive, and PA-28-235 with serial numbers 28-7110001 to 28-7110042 inclusive.</p> <p>E - Used on PA-28- 140 with serial numbers 28-7225001 to 28-7225612 inclusive, PA-28-180 with serial numbers 28-7205001 to 28-7205328 inclusive, PA-28R-200 with serial numbers 28R-7235001 to 28R-7235330 inclusive, and PA-28-235 with serial numbers 28-7210001 to 28-7210033 inclusive.</p> <p>F - Used on PA-28-140 with serial numbers 28-7325001 and up, PA-28-180 with serial numbers 28-7305001 and up, PA-28R-200 with serial numbers 28R-7335001 and up, and PA-28-235 with serial numbers 28-7310001 and up.</p>		

When ordering, always specify Part Number, Description, and Serial Number of Aircraft

PIPER PARTS CATALOG

Figure and Index Number	Part Number	Code	NOMENCLATURE	No. Req.	SERIAL NUMBERS AFFECTED
17 -48	69517-000	B	COVER ASSEMBLY - Radio opening, 6.50 x 3.80, black	1	
	99064-000	D	COVER ASSEMBLY - Radio opening, 6.50 x 3.80, black	1	
	99064-004	E	COVER ASSEMBLY - Radio opening, 6.50 x 3.80, tan	1	
	99064-006	C,F	COVER ASSEMBLY - Radio opening, 6.50 x 3.80	1	
	65920-000	B	COVER ASSEMBLY - Radio opening, 6.50 x 1.25, black	1	
	99066-000	D	COVER ASSEMBLY - Radio opening, 6.50 x 1.25, black	1	
	99066-004	E	COVER ASSEMBLY - Radio opening, 6.50 x 1.25, tan	1	
	99066-006	C,F	COVER ASSEMBLY - Radio opening, 6.50 x 1.25	1	
			<p>A - Used on PA-28-180 with serial numbers 28-4378 and up, PA-28-235 with serial numbers 28-11040 and up, PA-28-140 with serial numbers 28-25000 and up, PA-28R-180 and PA-28R-200 airplanes.</p> <p>B - Used on PA-28-140 with serial numbers 28-25000 to 28-26956 inclusive, PA-28-180 with serial numbers 28-4378 to 28-5869 inclusive, PA-28R-180 with serial numbers 28R-30005 to 28R-30481 inclusive, 28R-30483 to 28R-31279 inclusive, PA-28R-200 with serial numbers 28R-30482, 28R-35001 to 28R-35830 inclusive, and PA-28-235 with serial numbers 28-11040 to 28-11393 inclusive.</p> <p>C - When ordering, specify color gold, blue, green, gray, black or bark- Specify color "Bark I" for PA-28-140 with serial numbers 28-7225001 to 28-7725174 inclusive, PA-28-235 with serial numbers 28-7710001 to 28-7710010 inclusive, and PA-28R-200 with serial numbers 28R-7635504 and up. Specify color "Bark II" for PA-28-140 with serial numbers 28-7725175 and up, and PA-28-235 with serial numbers 28-7710011 and up.</p> <p>D - Used on PA-28-140 with serial numbers 28-7125001 to 28-7225612 inclusive, PA-28-180 with serial numbers 28-7105001 to 28-7105244 inclusive, PA-28R-180 with serial numbers 28R-7130001 to 28R-7130019 inclusive, PA-28R-200 with serial numbers 28R-7135001 to 28R-7135238 inclusive, and PA-28-235 with serial numbers 28-7110001 to 28-7110042 inclusive.</p> <p>E - Used on PA-28-140 with serial numbers 28-7225001 to 28-7225612 inclusive, PA-28-180 with serial numbers 28-7205001 to 28-7205328 inclusive, PA-28R-200 with serial numbers 28R-7235001 to 28R-7235330 inclusive, and PA-28-235 with serial numbers 28-7210001 to 28-7210033 inclusive.</p> <p>F - Used on PA-28-140 with serial numbers 28-7325001 and up, PA-28-180 with serial numbers 28-7305001 and up, PA-28R-200 with serial numbers 28R-7335001 and up, and PA-28-235 with serial numbers 28-7310001 and up.</p>		

PA-28-140
PA-28-180
PA-28-235
PA-28R-180
PA-28R-200

When ordering, always specify Part Number, Description, and Serial Number of Aircraft

PIPER PARTS CATALOG

Figure and Index Number	Part Number	Code	NOMENCLATURE	No. Req.	SERIAL NUMBERS AFFECTED
17 -48 -49 -50 -51	69518-000	H	COVER ASSEMBLY - Radio opening, 6.50 x .60, black	1	
	69518-004	F	COVER ASSEMBLY - Radio opening, 6.50 x .60, tan	1	
	69518-006	B,D	COVER ASSEMBLY - Radio opening, 6.50 x .60	1	
	550-629	C	GAUGE - Suction (AW1821AF03)	1	
	99480-000	E	GAUGE - Suction (1G10-1)	1	
	67466-000	G	COVER - Mixture control gauge	1	
	69169-000	G	PLATE - Mixture control gauge	1	
<p>A - Used on PA-28-180 with serial numbers 28-4378 and up, PA-28-235 with serial numbers 28-11040 and up, PA-28-140 with serial numbers 28-25000 and up, PA-28R-180 and PA-28R-200 airplanes.</p> <p>B - Used on PA-28-140 with serial numbers 28-7325001 and up, PA-28-180 with serial numbers 28-7305001 and up, PA-28R-200 with serial numbers 28R-7335001 and up, and PA-28-235 with serial numbers 28-7310001 and up.</p> <p>C - Used on PA-28-140 with serial numbers 28-25000 to 28-56956 inclusive, PA-28-180 with serial numbers 28-4378 to 28-5869 inclusive, PA-28R-180 with serial numbers 28R-30005 to 28R-30481 inclusive, 28R-30483 to 28R-31279 inclusive, PA-28R-200 with serial numbers 28R-30482, 28R-35001 to 28R-35830 inclusive, and PA-28-235 with serial numbers 28-11040 to 28-11393 inclusive.</p> <p>D - When ordering, specify color gold, blue, green, gray or bark. Specify color ,'Bark I" for PA-28-140 with serial numbers 28-7725001 to 28-7725174 inclusive, PA-28-235 with serial numbers 28-7710001 to 28-7710010 inclusive, and PA-28R-200 with serial numbers 28R-7635504 and up. Specify color "Bark II" or black for PA-28-140 with serial numbers 28-7725175 and up, and PA-28-235 with serial numbers 28-7710011 and up.</p> <p>E - Used on PA-28-140 with serial numbers 28-7125001 and up, PA-28-180 with serial numbers 28-7105001 and up, PA-28R-180 with serial numbers 28R-7130001 and up, PA-28R-200 with serial numbers 28R-7135001 and up, and PA-28-235 with serial numbers 28-7110001 and up.</p> <p>F - Used on PA-28-140 with serial numbers 28-7225001 to 28-7225612 inclusive, PA-28-180 with serial numbers 28-7205001 to 28-7205328 inclusive, PA-28R-200 with serial numbers 28R-7235001 to 28R-7235330 inclusive, and PA-28-235 with serial numbers 28-7210001 to 28-7210033 inclusive.</p> <p>G - Used on PA-28-235 airplanes only.</p> <p>H - Used on PA-28-140 with serial numbers 28-25000 to 28-7125651 inclusive, PA-28-180 with serial numbers 28-4378 to 28-7105244 inclusive, PA-28-235 with serial numbers 28-11040 to 28-7110042 inclusive, PA-28R-180 with serial numbers 28R-30005 to 28R-7130019 inclusive, and PA-28R-200 with serial numbers 28R-30482, 28R-35001 to 28R-7135238 inclusive.</p>					

When ordering, always specify Part Number, Description, and Serial Number of Aircraft

PIPER PARTS CATALOG

Figure and Index Number	Part Number	Code	NOMENCLATURE	No. Req.	SERIAL NUMBERS AFFECTED
17 -52	486-570	F,H	SHAFT - Tachometer	1	
	486-575	J	SHAFT - Tachometer	1	
	486-594	B	SHAFT - Tachometer	1	
-53	85012-014		WASHER - Tachometer shaft	1	
-54	66696-000	H	INSTRUMENT - Ammeter	1	
-55	460-682	B,F	CONNECTOR - manifold pressure gauge (W/H 48 x 4)	1	
-56	79314-000		SPACER - Air temperature gauge, inner	1	
	79314-002		SPACER - Air temperature gauge, outer	1	
-57	550-548	C	GAUGE - Cylinder head temperature	1	
	550-543	D	GAUGE - Cylinder head temperature	1	
-58	553-673		SENDER - Cylinder head temperature	1	
-59	99670-000	E	SPRING - Circuit breaker panel	1	
-60	99921-000	G	PLACARD - Air conditioning door open	1	
<p>A - Used on PA-28-180 with serial numbers 28-4378 and up, PA-28-235 with serial numbers 28-11040 and up, PA-28-140 with serial numbers 28-25000 and up, PA-28R-180 and PA-28R-200 airplanes.</p> <p>B - Used on PA-28-235 airplanes only.</p> <p>C - Used on PA-28-140, PA-28-180, PA-28R-180 and PA-28-235 airplanes only.</p> <p>D - Used on PA-28R-200 airplanes only.</p> <p>E - Used on PA-28-140 with serial numbers 28-7225001 to 28-7525302 inclusive, PA-28-180 with serial numbers 28-7205001 to 28-7505212 inclusive, PA-28-235 with serial numbers 28-7210001 to 28-7510062 inclusive, and PA-28R-200 with serial numbers 28R-7235001 to 28R-7535217 inclusive.</p> <p>F - Used on PA-28-180 airplanes only.</p> <p>G - Used on PA-28-140 with serial numbers 28-7225132 and up, PA-28-180 with serial numbers 28-7205145 and up, and PA-28R-200 with serial numbers 28R-7235001 and up.</p> <p>H - Used on PA-28-140 airplanes only.</p> <p>J - Used on PA-28R-180 and PA-28R-200 airplanes only.</p>					

PA-28-140
PA-28-180
PA-28-235
PA-28R-180
PA-28R-200

When ordering, always specify Part Number, Description, and Serial Number of Aircraft

PIPER PARTS CATALOG

Figure and Index Number	Part Number	Code	NOMENCLATURE	No. Req.	SERIAL NUMBERS AFFECTED
17 -61	76205-000	C,K	CHANNEL ASSEMBLY - Shin guard, left	1	28-25000 to 28-26489 inclusive
	99950-000	C,K	CHANNEL ASSEMBLY - Shin guard, right	1	
-61a	461-629	L	FUSE (311005)	2	
-62	99952-000	C	SHIELD ASSEMBLY - Glare, black	1	
-63	76406-000	F	PLACARD - Throttle operation	1	
-64	32658-002	B	INDICATOR - Engine hour recorder (550-530)	1	
-65	453-709	B	BUTTON - Plug (SS48152), black	1	
-66	79527-002	G,J	COVER ASSEMBLY - Instrument panel, lower, right	1	
-67	69545-000	D	PLACARD - Alternate air	1	
	69544-000	E	PLACARD - Carburetor air	1	
-68	79600-000	B,H	HOUSING ASSEMBLY - Compass	1	
-69	99214-000		PLATE - Support	AR	
-70	66695-000	F	RETAINER - Instrument	1	
<p>A - Used on PA-28-180 with serial numbers 28-4378 and up, PA-28-235 with serial numbers 28-11040 and up, PA-28-140 with serial numbers 28-25000 and up, PA-28R-180 and PA-28R-200 airplanes.</p> <p>B - Used on PA-28-140 with serial numbers 28-7625001 and up, PA-28-235 with serial numbers 28-7610001 and up, and PA-28R-200 with serial numbers 28R-7535353 and up.</p> <p>C - Used on PA-28-140 with serial numbers 28-7325001 and up, PA-28-180 with serial numbers 28-7305001 and up, PA-28-235 with serial numbers 28-7310001 and up, and PA-28R-200 with serial numbers 28R-7335001 and up.</p> <p>D - Used on PA-28R-200 airplanes only.</p> <p>E - Used on PA-28-140, PA-28-180 and PA-28-235 airplanes only.</p> <p>F - Used on PA-28-140 airplanes only.</p> <p>G - When ordering, specify color red, blue/green, gold, black, green or bark. Specify color "Bark I" for PA-28-140 with serial numbers 28-7725001 to 28-7725174 inclusive, PA-28-235 with serial numbers 28-7710001 to 28-7710010 inclusive, and PA-28R-200 with serial numbers 28R-7635504 and up. Specify color "Bark II" for PA-28-140 with serial numbers 28-7725175 and up, and PA-28-235 with serial numbers 28-7710011 and up.</p> <p>H - Used on PA-28-140 with serial numbers 28-25000 to 28-7525350 inclusive, PA-28-180 with serial numbers 28-4378 to 28-7505261 inclusive, PA-28-235 with serial numbers 28-11040 to 28-7510145 inclusive, PA-28R-180 with serial numbers 28R-30001 to 28R-7130019 inclusive, and PA-28R-200 with serial numbers 28R-35001 to 28R-7535393 inclusive if Magnetic Compass Relocation Kit 760 795 has been installed per Service Letter 761.</p> <p>J - Used on PA-28-140 with serial numbers 28-7525303 and up, PA-28-180 with serial numbers 28-7505213 and up, PA-28-235 with serial numbers 28-7510063 and up, and PA-28R-200 with serial numbers 28R-7535218 and up.</p> <p>K - When ordering, specify color red, blue/green, gold, black, white, green, mushroom or camel.</p> <p>L - Located on right hand shin guard channel assembly only.</p>					

When ordering, always specify Part Number, Description, and Serial Number of Aircraft

PA-28-140
PA-28-180
PA-28-235
PA-28R-180
PA-28R-200

PIPER PARTS CATALOG

Figure and Index Number	Part Number	Code	NOMENCLATURE	No. Req.	SERIAL NUMBERS AFFECTED
17 -71	69669-157		PLACARD - Altitude reporter installed	1	
-72	35669-014	C	PLACARD - Fuel gauge warning	1	
-73	69669-185	B	PLACARD - Continuous operation	1	28R-7635517 and up
-74	87369-044	D	PLACARD - Conducting spins	1	
<p>A - Used on PA-28-180 with serial numbers 28-4378 and up, PA-28-235 with serial numbers 28-11040 and up, PA-28-140 with serial numbers 28-25000 and up, PA-28R-180 and PA-28R-200 airplanes.</p> <p>B - Used on PA-28R-200 airplanes only.</p> <p>C - Used on PA-28-140 with serial numbers 28-7225001 to 28-7725086 inclusive, PA-28-180 with serial numbers 28-7205001 to 28-7505259 inclusive, PA-28-235 with serial numbers 28-7210001 to 28-7610181 inclusive, and PA-28R-200 with serial numbers 28R-7235001 to 28R-7635459 inclusive.</p> <p>D - Used on PA-28-140 airplanes only.</p>					

PA-28-140
PA-28-180
PA-28-235
PA-28R-180
PA-28R-200

When ordering, always specify Part Number, Description, and Serial Number of Aircraft

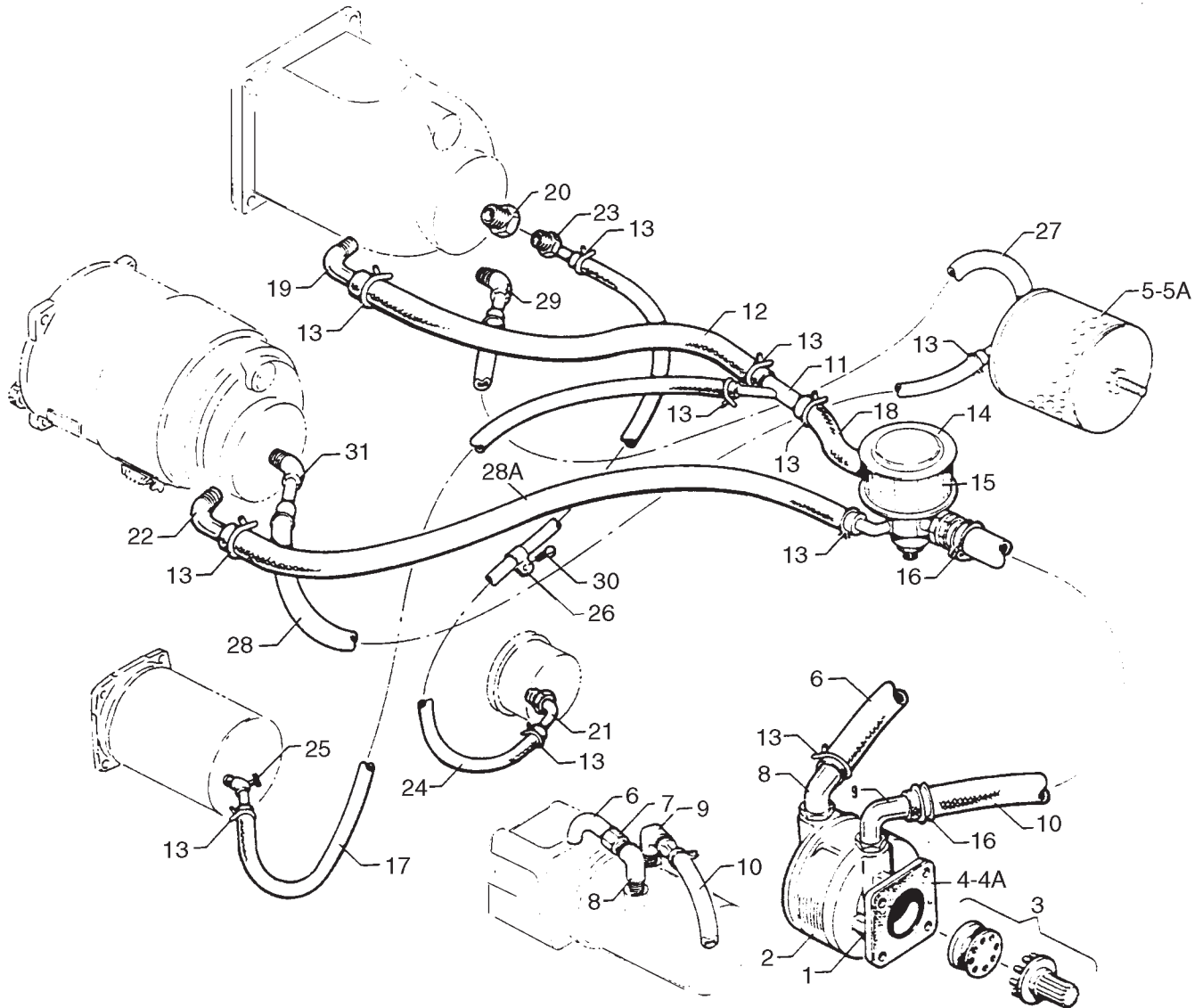


Figure 18. Vacuum System Installation
 (PA-28-140 - Serial Nos. 28-20002 to 28-24999 inclusive)
 (PA-28-150-160-180 - Serial Nos. 28-1 to 28-4377 inclusive)
 (PA-28-235 - Serial Nos. 28-10003 to 28-11039 inclusive)

PA-28-140
 PA-28-150
 PA-28-160
 PA-28-180
 PA-28-235

THIS PAGE INTENTIONALLY LEFT BLANK

PIPER PARTS CATALOG

Figure and Index Number	Part Number	Code	NOMENCLATURE	No. Req.	SERIAL NUMBERS AFFECTED
18-	63213 65655 65793 65793	D B E,B E	DRAWING - Vacuum Pump Installation DRAWING - Vacuum Pump Installation DRAWING - Vacuum Pump Installation (3 inch gyros) DRAWING - Vacuum Pump Installation		28-21162 to 28-24999 inclusive 28-23384 to 28-24999 inclusive
-1	450-380 754-575	B,K C	KIT - Vacuum pump drive (69439) KIT - Vacuum pump drive (79005)	1 1	
-2	481-681 26749-007 36535-002	F	PUMP - Dry vacuum (113A5) PUMP - Dry vacuum (Airborne 211CC) PUMP - Dry vacuum (Edo-Aire 1U128-002)	1 1 1	
-3	753-910	G	* COUPLING ASSEMBLY KIT - Vacuum pump drive (350)	1	
-4	751-859	G	* GASKET - Vacuum pump mounting (B3-1-2)	1	
-4a	462-023	H	* GASKET - Vacuum pump mounting (AN4045-1)	1	
-5	460-888		FILTER ASSEMBLY - Air (66673-00)	1	
-5a	757-899	M	* CARTRIDGE - Air filter (D9-18-1)	1	
-6	22514-000 82371-090	L J	TUBE ASSEMBLY - Vacuum pump exhaust HOSE - Vacuum pump exhaust	1 1	
-7	477-624 554-889	L J	NUT - Coupling (AN818-8D) CLAMP - (GS8)	1 1	
<p>A - Used on PA-28-140 with serial numbers 28-20002 to 28-24999 inclusive, PA-28-150, PA-28-160 and PA-28-180 with serial numbers 28-1 to 281377 inclusive, and PA-28-235 with serial numbers 28-10003 to 28-11039 inclusive.</p> <p>B - Used on PA-28-140 airplanes only.</p> <p>C - Used on PA-28-235 airplanes only.</p> <p>D - Used on PA-28-150, PA-28-160 and PA-28-180 with serial numbers 28-1 to 28-3265 inclusive, PA-28-140 with serial numbers 28-20002 to 28-21161 inclusive, and PA-28-235 with serial numbers 28-10003 to 28-10720 inclusive.</p> <p>E - Used on PA-28-150, PA-28-160 and PA-28-180 with serial numbers 28-3266 to 28 1377 inclusive, and PA-28-235 with serial numbers 28-10721 to 28-11039 inclusive.</p> <p>F - Vacuum Pump 481-681 (113A5) not available. Pump 2674947 (Airborne 211CC) or 36535-02 (Edo-Aire 1U128-002) will be supplied as a replacement.</p> <p>G - Used with Vacuum Pump Part Number 26749-007 (Airborne 211CC) only.</p> <p>H - Used with Vacuum Pump Part Number 36535-002 (Edo-Aire 1U128-002) only.</p> <p>J - Used on PA-28-150, PA-28-160 and PA-28-180 with serial numbers 28-1761 to 28-4377 inclusive, PA-28-140 with serial numbers 28-20281 to 28-24999 inclusive, and PA-28-235 with serial numbers 28-10313 to 28-11039 inclusive.</p> <p>K - Used on PA-28-150, PA-28-160 and PA-28-180 only.</p> <p>L - Used on PA-28-150, PA-28-160 and PA-28-180 with serial numbers 28-1 to 28-1760 inclusive, PA-28-140 with serial numbers 28-20002 to 28-20280 inclusive and PA-28-235 with serial numbers 28-10003 to 28-10312 inclusive.</p> <p>M - Reference latest revision of Piper Service Bulletin 1041 on Inspection and Cleaning of Airborne Air Filter Elements.</p>					

When ordering, always specify Part Number, Description, and Serial Number of Aircraft

PA-28-140
PA-28-150
PA-28-160
PA-28-180
PA-28-235

PIPER PARTS CATALOG

Figure and Index Number	Part Number	Code	NOMENCLATURE	No. Req.	SERIAL NUMBERS AFFECTED
18 -8	458-898	D	ELBOW - (AN822-8D)	1	28-1 to 28-1110 inclusive
	558-900	E	ELBOW - (1K8-6-8)	1	
-9	458-958		ELBOW - (1K1-6-10)	1	
-10	69015-050	B,K	HOSE	1	
	63913-028	L	HOSE	1	
-11	63212-000	F	FITTING - Vacuum hose "Y" (restricted)	1	
	63212-004	C,F	FITTING - Vacuum hose "Y" (unrestricted)	1	
-12	63913-044	F	HOSE - Vacuum "Y" to directional gyro	1	
	63913-047	J	HOSE - Vacuum regulator to directional gyro	1	
-13	554-889		CLAMP - (GS-8)	11	
-14	492-065		VALVE - Suction regulating (133A4)	1	
-15	751-815		* FILTER - Regulating valve (B-3-5-1)	1	
-16	454-837		CLAMP - (H-78000)	2	
-17	63913-008	F	HOSE - Vacuum, "Y" to turn and bank	1	
-18	63913-005	F	HOSE - Vacuum, regulator valve to "Y" fitting	1	
-19	458-945	G	ELBOW - Directional gyro (1K1-4-6)	1	
	558-912	H	ELBOW - Directional gyro (1K9-4-6)	1	
-20	453-616	G	REDUCER - (AN912-1D)	1	
			<p>A - Used on PA-28-140 with serial numbers 28-20002 to 28-24999 inclusive, PA-28-150, PA-28-160 and PA-28-180 with serial numbers 28-1 to 28-4377 inclusive, and PA-28-235 with serial numbers 28-10003 to 28-11039 inclusive.</p> <p>B - Used on PA-28-140 airplanes only.</p> <p>C - Used on PA-28-150, PA-28-160 and PA-28-180 with serial numbers 28-1111 to 28-4084 inclusive, PA-28-235 with serial numbers 28-10003 to 28-10926 inclusive, and PA-28-140 airplanes.</p> <p>D - Used on PA-28-150, PA-28-160 and PA-28-180 with serial numbers 28-1 to 28-1760 inclusive, PA-28-140 with serial numbers 28-20002 to 28-20280 inclusive, and PA-28-235 with serial numbers 28-10003 to 28-10312 inclusive.</p> <p>E - Used on PA-28-150, PA-28-160 and PA-28-180 with serial numbers 28-1761 to 28-4377 inclusive, PA-28-235 with serial numbers 28-10313 to 28-11039 inclusive, and PA-28-140 with serial numbers 28-20281 to 28-24999 inclusive.</p> <p>F - Used when vacuum turn and bank is installed.</p> <p>G - Used when 3" instruments are not installed.</p> <p>H - Used when 3" instruments are installed.</p> <p>J - Used when electric turn and bank is installed.</p> <p>K - Used on PA-28-150, PA-28-160 and PA-28-180 only.</p> <p>L - Used on PA-28-235 airplanes only.</p>		

PA-28-140
PA-28-150
PA-28-160
PA-28-180
PA-28-235

When ordering, always specify Part Number, Description, and Serial Number of Aircraft

PIPER PARTS CATALOG

Figure and Index Number	Part Number	Code	NOMENCLATURE	No. Req.	SERIAL NUMBERS AFFECTED
18 -21	458-893	F	ELBOW - Suction gauge (AN822-3D)	1	
	458-948	C	ELBOW - Suction gauge (1K1-2-4)	1	
	458-948	D	ELBOW - Suction gauge (1K1-2-4)	1	28-21162 to 28-24999 inclusive
	-22	E	ELBOW - Gyro horizon (1K1-4-6)	1	
	558-912	B	ELBOW - Gyro horizon (1K9-4-6)	1	
	-23	F	ELBOW - Directional gyro (AN822-3D)	1	
	458-948	C	ELBOW - Directional gyro (1K1-2-4)	1	
		D	ELBOW - Directional gyro (1K1-2-4)	1	28-21162 to 28-24999 inclusive
-24	63206-000	E,J	LINE ASSEMBLY - Suction gauge	1	
	63206-000	D,E	LINE ASSEMBLY - Suction gauge	1	28-20002 to 28-21161 inclusive
	63096-000	E,G	LINE ASSEMBLY - Suction gauge	1	
	63913-057	E,H	HOSE ASSEMBLY - Suction gauge	1	
	63913-057	D,E	HOSE ASSEMBLY - Suction gauge	1	28-21162 to 28-24999 inclusive
	63913-063	B	HOSE ASSEMBLY - Suction gauge	1	
-25	14205-000	J	VALVE ASSEMBLY - Air regulating	1	
	14205-000	D	VALVE ASSEMBLY - Air regulating	1	28-20002 to 28-21161 inclusive
	63082-040	G,H	VALVE ASSEMBLY - Air regulating	1	
	63082-000	D	VALVE ASSEMBLY - Air regulating	1	28-21162 to 28-24999 inclusive
-26	554-958	K	CLAMP - Suction gauge hose (NPC-8)	1	

- A - Used on PA-28-140 with serial numbers 28-20002 to 28-24999 inclusive, PA-28-150, PA-28-160 and PA-28-180 with serial numbers 28-1 to 28-4377 inclusive, and PA-28-235 with serial numbers 28-10003 to 28-11039 inclusive.
- B - Used when 3 instruments are installed.
- C - Used on PA-28-150, PA-28-160 and PA-28-180 with serial numbers 28-3266 to 28-4377 inclusive, and PA-28-235 with serial numbers 28-10721 to 28-11039 inclusive.
- D - Used on PA-28-140 airplanes only.
- E - Used when 3 instruments are not installed.
- F - Used on PA-28-150, PA-28-160 and PA-28-180 with serial numbers 28-1 to 28-3265 inclusive, PA-28-140 with serial numbers 28-20002 to 28-21161 inclusive, and PA-28-235 with serial numbers 28-10003 to 28-10720 inclusive.
- G - Used on PA-28-150, PA-28-160 and PA-28-180 with serial numbers 28-1761 to 28-3265 inclusive, and PA-28-235 with serial numbers 28-10487 to 28-10720 inclusive.
- H - Used on PA-28-150, PA-28-160 and PA-28-180 with serial numbers 28-3266 to 284084 inclusive, and PA-28-235 with serial numbers 28-10721 to 28-10926 inclusive.
- J - Used on PA-28-150, PA-28-160 and PA-28-180 with serial numbers 28-1 to 28-1760 inclusive, and PA-28-235 with serial numbers 28-10003 to 28-10486 inclusive.
- K - Used on PA-28-150, PA-28-160 and PA-28-180 with serial numbers 28-3266 to 28-4377 inclusive, PA-28-235 with serial numbers 28-10721 to 28-11039 inclusive, and PA-28-140 with serial numbers 28-21162 to 28-24999 inclusive.

When ordering, always specify Part Number, Description, and Serial Number of Aircraft

PA-28-140
PA-28-150
PA-28-160
PA-28-180
PA-28-235

PIPER PARTS CATALOG

Figure and Index Number	Part Number	Code	NOMENCLATURE	No. Req.	SERIAL NUMBERS AFFECTED
18 -27	63913-07		HOSE - Air filter to directional gyro	1	
-28	63913-50		HOSE - Air filter to gyro horizon	1	
-28a	63913-50		HOSE - Regulator valve to gyro horizon	1	
-29	458 941	D	ELBOW - Directional gyro (AN844-6D)	1	
	451 939	B	ADAPTER - Directional gyro (1K10-4-6)	1	
	558 912	B	ELBOW - Directional gyro (1K9-4-6)	1	
-30	415 448	C	SCREW - (AN526-832R6)	1	
	406 357	C	NUT - (A190-832-1)	1	
-31	458 941	D	ELBOW - Gyro horizon (AN844-6D)	1	
	451 939	B	ADAPTER - Gyro horizon (1K10-4-6)	1	
	558 912	B	ELBOW - Gyro horizon (1K9-4-6)	1	
<p>A - Used on PA-28-140 with serial numbers 28-20002 to 28-24999 inclusive, PA-28-150, PA-28-160 and on PA-28-180 with serial numbers 18-1 to 28-4377 inclusive, and PA-28-235 with serial numbers 28-10003 to 28-11039 inclusive.</p> <p>B - Used when 3" instruments are installed.</p> <p>C - Used on PA-28-150, PA-28-160 and PA-28-180 with serial numbers 28-3266 to 28-4377 inclusive, PA-28-235 with serial numbers 28-10721 to 28-11039 inclusive, and 28-21162 to 28-24999 inclusive.</p> <p>D - Used when 3" instruments are not installed.</p>					

PA-28-140
PA-28-150
PA-28-160
PA-28-180
PA-28-235

When ordering, always specify Part Number, Description, and Serial Number of Aircraft

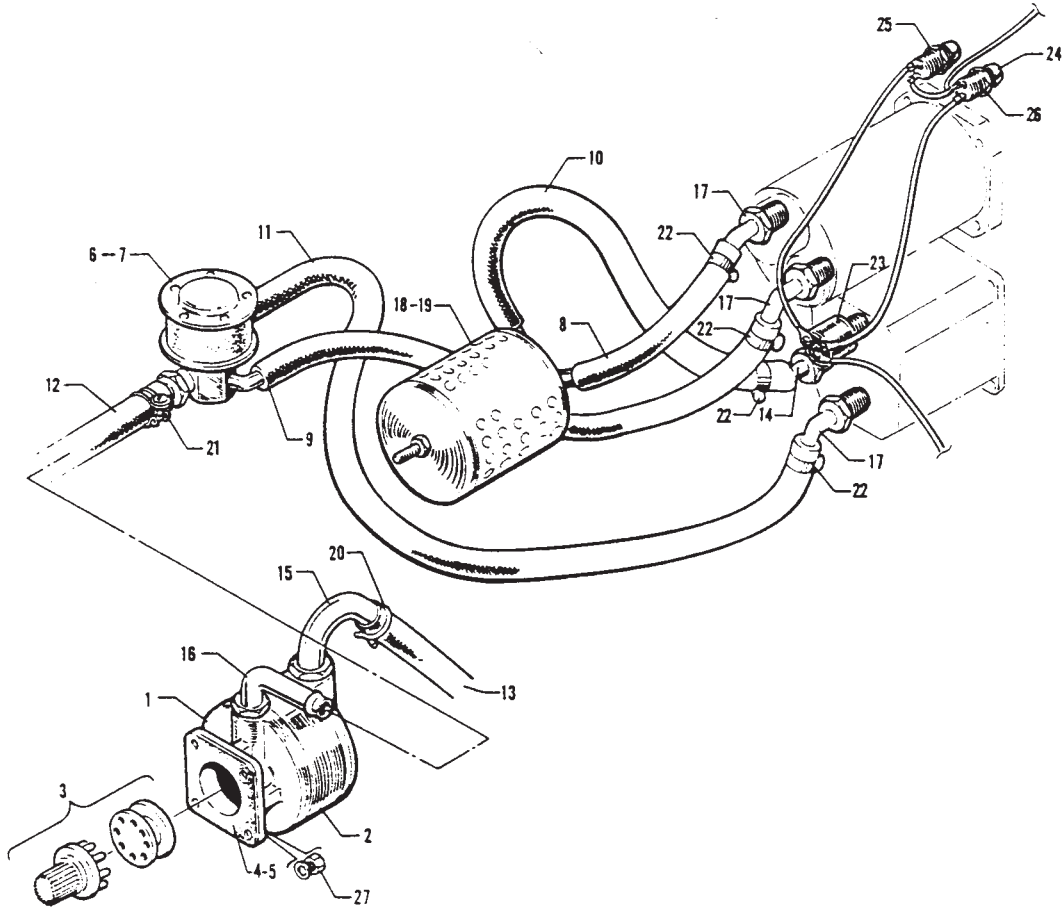


Figure 19. Vacuum System Installation
 (PA-28-180 - Serial Nos. 28-4378 to 28-5121, 28-5123 to 28-5129, 28-5180 to 28-5227 inclusive)
 (PA-28R-180 - Serial Nos. 28R-30005 to 28R-30481, 28R-30483 to 28R-30878 inclusive)

THIS PAGE INTENTIONALLY LEFT BLANK

PIPER PARTS CATALOG

Figure and Index Number	Part Number	Code	NOMENCLATURE	No. Req.	SERIAL NUMBERS AFFECTED
19-	67420		DRAWING - Vacuum System Installation		
-1	450-380		KIT - Vacuum pump drive (69439)	1	
-2	26749-007		PUMP - Dry vacuum (Airborne 211CC)	1	
	36535-002		PUMP - Dry vacuum (Edo-Aire 1U128 002)	1	
-3	753-910	B	* COUPLING ASSEMBLY KIT - Vacuum pump drive (350)	1	
-4	751-859	B	** GASKET - Vacuum pump mounting (B3-1-2)	1	
-5	462-023	C	** GASKET - Vacuum pump mounting (AN4045-1)	1	
-6	492-065		VALVE - Suction regulating (133A4)	1	
-7	751-815		* FILTER - Regulating valve (B3-5-1)	1	
-8	63913-044		HOSE - Gyro horizon to air filter	1	
-9	63913-047		HOSE - Gyro horizon to regulating valve	1	
-10	63913-007		HOSE - Directional gyro to air filter	1	
-11	63913-006		HOSE - Directional gyro to regulating valve	1	
-12	63913-081		HOSE - Regulating valve to vacuum pump	1	
-13	63904-029		HOSE - Vacuum pump exhaust	1	
-14	451-939		ADAPTER - (1K1-4-6)	1	
-15	558-900		ELBOW - (1K8-6-8)	1	
-16	458-958		ELBOW - (1K1-6-10)	1	
-17	558-912		ELBOW - (1K9-4-6)	3	
-18	460-888		FILTER ASSEMBLY - Air (66673-0)	1	
-19	757-899		* CARTRIDGE - Air filter (D9-18-1)	1	
-20	554-985		CLAMP - (SAE11)	1	
-21	554-820		CLAMP - (H15160)	2	
-22	554-888		CLAMP - (GS-6)	8	
-23	487-926		SWITCH - Vacuum (22-1280 04)	1	
-24	472-054		BULB - Indicator light (330)	2	
-25	67422-002		LIGHT - Indicator (Lo Vac)	1	
-26	67422-003		LIGHT - Indicator (Hi Vac)	1	
-27	404-004		NUT - Self locking (MS51922-1)	4	
	407-565		WASHER - (AN960-416)	4	
			A - Used on PA-28-180 with serial numbers 281378 to 28-5121, 28-5123 to 28-5129, 28-5180 to 28-5227 inclusive, and PA-28R-180 with serial numbers 28R-30005 to 28R-20481 inclusive, 28R-30483 to 28R-0878 inclusive.		
			B - Used with Vacuum Pump P/N 26749-007 (Airborne 211CC) only.		
			C - Used with Vacuum Pump P/N 36535-002 (Edo-Aire 1U128-002) only.		

When ordering, always specify Part Number, Description, and Serial Number of Aircraft

THIS PAGE INTENTIONALLY LEFT BLANK

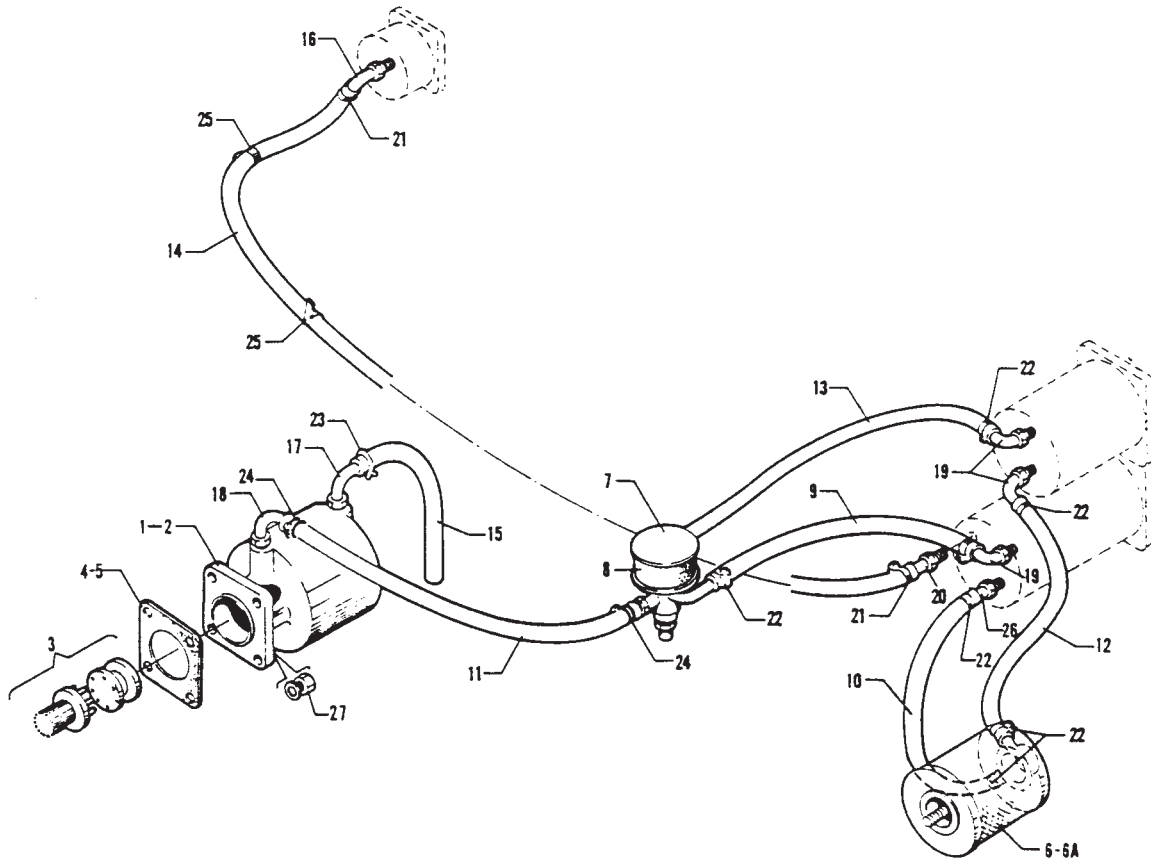


Figure 19A. Vacuum System Installation
 (PA-28-140 - Serial Nos. 28-25000 to 28-26956 inclusive)
 (PA-28-180 - Serial Nos. 28-5122, 28-5130 to 28-5179, 28-5228 to 28-5869 inclusive)
 (PA-28-235 - Serial Nos. 28-11040 to 28-11393 inclusive)
 (PA-28R-180 - Serial Nos. 28R-30879 to 28R-31279 inclusive)
 (PA-28R-200 - Serial Nos. 28R-30482, 28R-35001 to 28R-35830 inclusive)

PA-28-140
 PA-28-180
 PA-28-235
 PA-28R-180
 PA-28R-200

THIS PAGE INTENTIONALLY LEFT BLANK

PIPER PARTS CATALOG

Figure and Index Number	Part Number	Code	NOMENCLATURE	No. Req.	SERIAL NUMBERS AFFECTED
19A-	69272		DRAWING - Vacuum System Installation		
-1	450-380	A	KIT - Vacuum pump drive (69439)	1	
	754-575	C	KIT - Vacuum pump drive (79005)	1	
-2	26749-007		PUMP - Dry vacuum (Airborne 211CC)	1	
	36535-002		PUMP - Dry vacuum (Edo-Aire 1U128 002)	1	
-3	753-910	D	* COUPLING ASSEMBLY KIT - Vacuum pump drive (35)	1	
-4	751-859	D	* GASKET - Vacuum pump mounting (B-3-1-2)	1	
-5	462-023	E	* GASKET - Vacuum pump mounting (AN4045-1)	1	
-6	460-888		FILTER ASSEMBLY - Air (66673-00)	1	
-6a	757-899		* CARTRIDGE - Air filter (D9-18-1)	1	
-7	492-065		VALVE - Suction regulating (133A4)	1	
-8	751-815		* FILTER - Regulating valve (B3-5-1)	1	
-9	63913-006		HOSE - Directional gyro to regulating valve	1	
-10	63913-007		HOSE - Direction gyro to air filter	1	
-11	63913-028	C	HOSE - Regulating valve to vacuum pump	1	
	63913-081	B	HOSE - Regulating valve to vacuum pump	1	
-12	63913-044		HOSE - Gyro horizon to air filter	1	
-13	63913-047		HOSE - Gyro horizon to regulating valve	1	
-14	63913-049		HOSE - Direction gyro to suction gauge	1	
-15	63904-029		HOSE - Vacuum pump exhaust	1	
-16	458-948		ELBOW - (1K1-2-4)	1	
-17	558-900		ELBOW - (1K8-6-8)	1	
-18	458-958		ELBOW - (1K1-6-10)	1	
-19	558-912		ELBOW - (1K9-4-6)	3	
-20	451-881		ADAPTER - (1K10-2-4)	1	
-21	554-861		CLAMP - (GS-4)	2	
-22	554-888		CLAMP - (GS-6)	8	
-23	554-985		CLAMP - (SAE11)	1	
-24	554-820		CLAMP - (H15160)	2	
-25	554-958		CLAMP - (NPC 8)	2	
-26	451-939		ADAPTER - (1K10-4-6)	1	
-27	404-004		NUT	4	
	407-565		WASHER - (AN960-416)	4	
			A - Used on PA-28-140 with serial numbers 28-25000 to 28-26956 inclusive, PA-28-235 with serial numbers 28-11040 to 28-11393 inclusive, PA-28-180 with serial numbers 28-5122, 28-5130 to 28-5179 inclusive, 28-5228 to 28-5869 inclusive, PA-28R-180 with serial numbers 28R-30879 to 28R-31279 inclusive, and PA-28R-200 with serial numbers 28R-30482, and 28R-35001 to 28R-35830 inclusive.		
			B - Used on PA-28-140, PA-28-180, PA-28R-180 and PA-28R-200 airplanes only.		
			C - Used on PA-28-235 airplanes only.		
			D - Used with Vacuum Pump P/N 26749-07 (Airborne 211CC) only.		
			E - Used with Vacuum Pump P/N 36535-02 (Edo-Aire 1U128-002) only.		

When ordering, always specify Part Number, Description, and Serial Number of Aircraft

THIS PAGE INTENTIONALLY LEFT BLANK

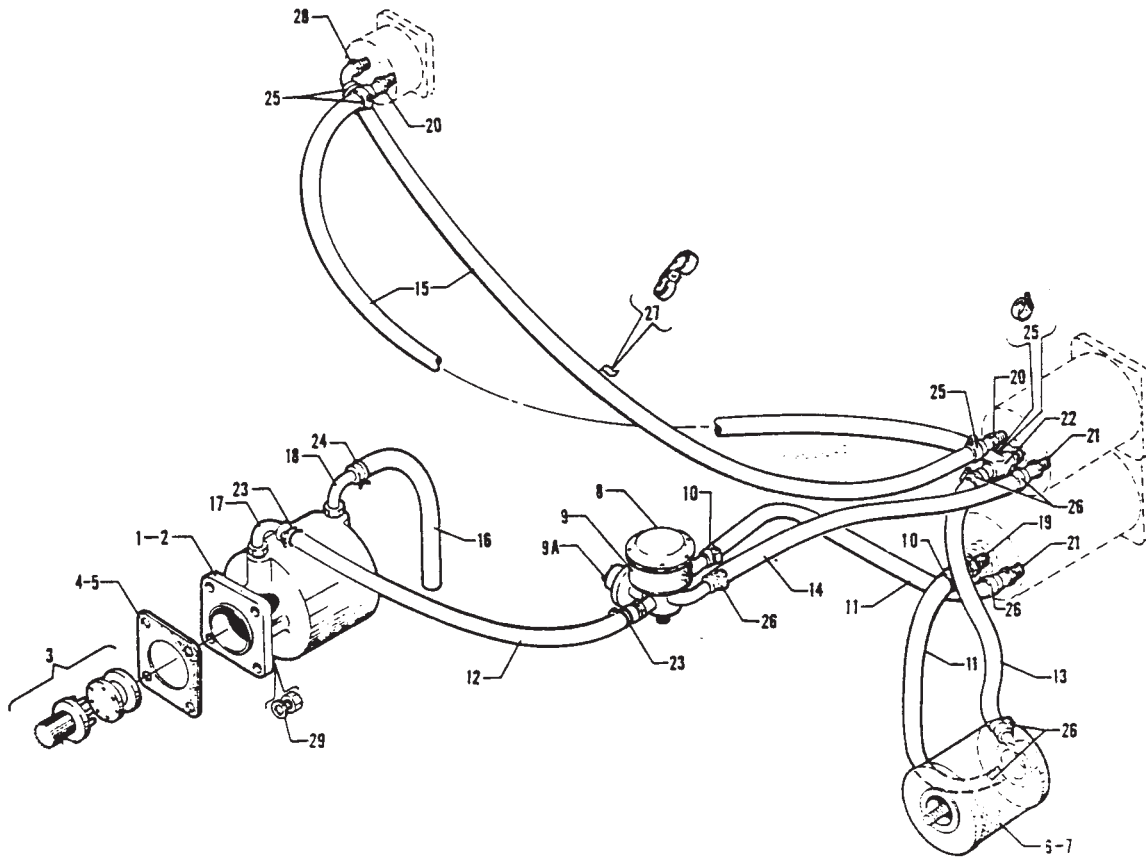


Figure 19B. Vacuum System Installation
 (PA-28-140 - Serial Nos. 28-7125001 and up)
 (PA-28-180 - Serial Nos. 28-7105001 and up)
 (PA-28-235 - Serial Nos. 28-7110001 and up)
 (PA-28R-180 - Serial Nos. 28R-7130001 and up)
 (PA-28R-200 - Serial Nos. 28R-7135001 and up)

PA-28-140
 PA-28-180
 PA-28-235
 PA-28R-180
 PA-28R-200

THIS PAGE INTENTIONALLY LEFT BLANK

PIPER PARTS CATALOG

Figure and Index Number	Part Number	Code	NOMENCLATURE	No. Req.	SERIAL NUMBERS AFFECTED
19B-	69272		DRAWING - Vacuum System Installation		
-1	450-380	B	KIT - Vacuum pump drive (69439)	1	
	754-575	C	KIT - Vacuum pump drive (79005)	1	
-2	26749-007		PUMP - Dry vacuum (Airborne 211CC)	1	
	36535-002		PUMP - Dry vacuum (Edo-Aire 1U128-02)	1	
-3	753-910	F	* COUPLING ASSEMBLY KIT - Vacuum pump drive (350)	1	
-4	751-859	F	* GASKET - Vacuum pump mounting (E33-1-2)	1	
-5	462-023	G	* GASKET - Vacuum pump mounting (AN4045-1)	1	
-6	460-888		FILTER ASSEMBLY - Air (66673-00)	1	
-7	757-899		* CARTRIDGE - Air filter (D9-18-1)	1	
-8	492-065	D	VALVE - Suction regulating (133A4)	1	
	492-240	E	VALVE - Suction regulating (A/M2H3-19)	1	
-9	751-815		* FILTER - Regulating (83-5-1)	1	
-9a	757-790	E	* SWITCH - (F7-16-1)	1	
-10	554-598		CLAMP - (NA-397-12)	2	
-11	63913-007		HOSE - Directional gyro to air filter	2	
-12	63913-081	B	HOSE - Regulating valve to vacuum pump	1	
	63913-028	C	HOSE - Regulating valve to vacuum pump	1	
-13	63913-044		HOSE - Gyro horizon to air filter	1	
-14	63913-047		HOSE - Gyro horizon to regulating valve (11.50" long)	1	
-15	63913-049		HOSE - Gyro horizon to suction gauge	2	
-16	63904-029		HOSE - Vacuum pump exhaust	1	
-17	458-958		ELBOW - (1K1-6-10)	1	
-18	558-900		ELBOW - (1K8-6-8)	1	
-19	558-912		ELBOW - (1K9-4-6)	1	
-20	451-881		ADAPTER - (1K10-2-4)	2	
-21	451-939		ADAPTER - (1K10-4-6)	2	
-22	460-836		FITTING - (1K31-4-6-4)	1	
			A - Used on PA-28-140 with serial numbers 28-7125001 and up, PA-28-235 with serial numbers 28-7110001 and up, PA-28-180 with serial numbers 28-7105001 and up, PA-28R-180 with serial numbers 28R-7130001 and up, and PA-28R-200 with serial numbers 28R-7135001 and up.		
			B - Used on PA-28-140, PA-28-180, PA-28R-180 and PA-28R-200 airplanes only.		
			C - Used on PA-28-235 airplanes only.		
			D - Used on PA-28-140 with serial numbers 28-7125001 to 28-7425454 inclusive, PA-28-235 with serial numbers 28-7110001 to 28-7410120 inclusive, PA-28-180 with serial numbers 28-7105001 to 28-7405290 inclusive, PA-28R-180 with serial numbers 28R-7130001 to 28R-7130019 inclusive, and PA-28R-200 with serial numbers 28R-7135001 to 28R-7435331 inclusive.		
			E - Used on PA-28-140 with serial numbers 28-7525001 and up, PA-28-180 with serial numbers 28-7505001 and up, PA-28-235 with serial numbers 28-7510001 and up, and PA-28R-200 with serial numbers 28R-7535001 and up.		
			F - Used with Vacuum Pump P/N 26749-07 (Airborne 211CC) only.		
			G - Used with Vacuum Pump P/N 36535-02 (Edo-Aire U128-002) only.		

When ordering, always specify Part Number, Description, and Serial Number of Aircraft

PA-28-140
PA-28-180
PA-28-235
PA-28R-180
PA-28R-200

PIPER PARTS CATALOG

Figure and Index Number	Part Number	Code	NOMENCLATURE	No. Req.	SERIAL NUMBERS AFFECTED
19B-23	554-659		CLAMP - (SAE TYF-8)	2	
-24	554-985		CLAMP - (SAE11)	1	
-25	554-861		CLAMP - (SAE TYF-4)	4	
-26	554-888		CLAMP - (SAE TYF-6)	6	
-27	554-958		CLAMP - (NPC-8)	2	
-28	458-948		ELBOW - (1K1-2-4)	1	
-29	404-004		NUT - Self locking (MS51922-1)	4	
	407-565		WASHER - (AN960-416)	4	
			A - Used on PA-28-140 with serial numbers 28-7125001 and up, PA-28-235 with serial numbers 28-7110001 and up, PA-28-180 with serial numbers 28-7105001 and up, PA-28R-180 with serial numbers 28R-7130001 and up, and PA-28R-200 with serial numbers 28R-7135001 and up.		

PA-28-140
PA-28-180
PA-28-235
PA-28R-180
PA-28R-200

When ordering, always specify Part Number, Description, and Serial Number of Aircraft

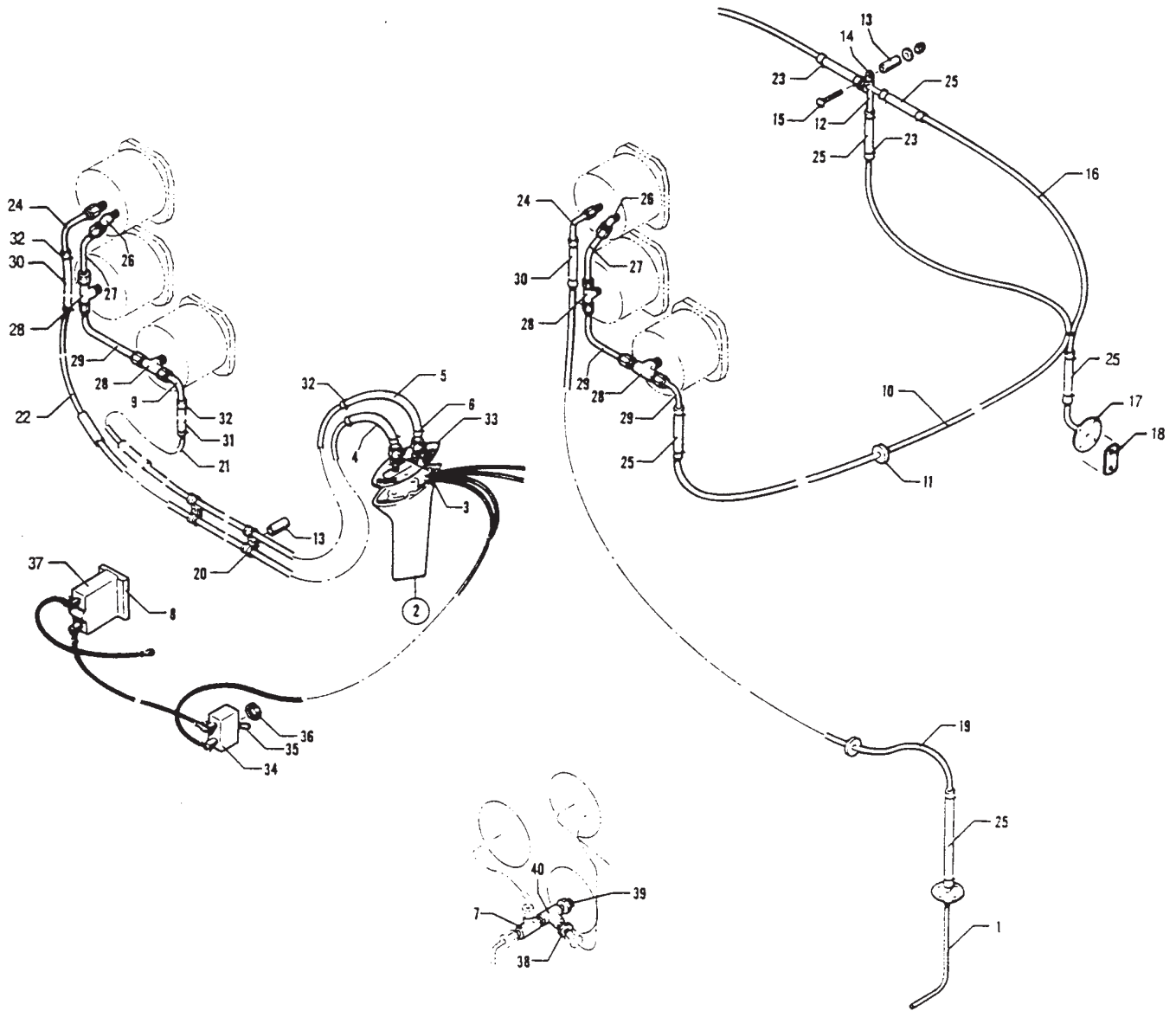


Figure 20. Pitot Static System Installation
 (PA-28-140 - Serial Nos. 28-20002 to 28-24999 inclusive)
 (PA-28-150-160-180 - Serial Nos. 28-1 to 28-4377 inclusive)
 (PA-28-235 - Serial Nos. 28-10003 to 28-11039 inclusive)

PA-28-140
 PA-28-150
 PA-28-160
 PA-28-180
 PA-28-235

THIS PAGE INTENTIONALLY LEFT BLANK

PIPER PARTS CATALOG

Figure and Index Number	Part Number	Code	NOMENCLATURE	No. Req.	SERIAL NUMBERS AFFECTED
20-	63906	D	DRAWING - Airspeed Pitot Tube Installation		
	62245	E	DRAWING - Pitot Static System Installation		
	68114	F	DRAWING - Pitot Static System Installation		
	65658	G	DRAWING - Pitot Static System Installation /Instruments)		
	69046	E,F	DRAWING - Heated Pitot Static System Installation		
	63905	H	DRAWING - Tubes Installation, Instrument Static Vent		28-1 to 28-1760 inclusive
	63905	B	DRAWING - Tubes Installation, Instrument Static Vent		28-20002 to 28-20280 inclusive
	65189	C	DRAWING - Tubes Installation, Instrument Static Vent		28-10003 to 28-10486 inclusive
-1	63907-000	D	PITOT TUBE ASSEMBLY	1	
-2	65797-005	E,F	HEAD ASSEMBLY - Pitot (unheated)	1	
	69041-005	E,F	HEAD ASSEMBLY- Pitot (heated)	1	
-3	556-105	E,F	* CONNECTOR - (W/H1068 x 4) Heated pitot head	2	
-4	63913-034	E,F	* HOSE - Pitot	1	
-5	63913-037	E,F	* HOSE - Static	1	
-6	554-861	E,F	* CLAMP - (GS4)	2	
-7	488-310	B	TEE - (AN826-3D)	1	
-8	63208-000		SPACER - Circuit protector	1	
-9	63211-000		TUBE ASSEMBLY - Static	1	
-10	63904-002	H	HOSE - Plastic	1	28-1 to 28-1500 inclusive
	65165-000	H	TUBE - Aluminum	1	28-1501 to 28-1760 inclusive
	65165-011	C	TUBE - Aluminum	1	28-20002 to 28-20280 inclusive
	63904-011	C	HOSE - Plastic	1	28-10003 to 28-10208 inclusive
	65165-015	C	TUBE - Aluminum	1	28-10209 to 28-10486 inclusive
<p>A - Used on PA-28-140 with serial numbers 28-20002 to 28-24999 inclusive, PA-28-150, PA-28-160 and on PA-28-180 with serial numbers 28-1 to 284377 inclusive, and PA-28-235 with serial numbers 28-10003 to 28-11039 inclusive.</p> <p>B - Used on PA-28-140 airplanes only.</p> <p>C - Used on PA-28-235 airplanes only.</p> <p>D - Used on PA-28-140 with serial numbers 28-20002 to 28-20280 inclusive, PA-28-150, PA-28-160 and on PA-28-180 with serial numbers 28-1 to 28-1760 inclusive, and PA-28-235 with serial numbers 28-10003 to 28-10486 inclusive.</p> <p>E - Used on PA-28-140 with serial numbers 28-20281 to 28-24999 inclusive, PA-28-150, PA-28-160 and on PA-28-180 with serial numbers 28-1761 to 28-2477 inclusive, and PA-28-235 with serial numbers 28-10487 to 28-10675 inclusive.</p> <p>F - Used on PA-28-150, PA-28-160 and PA-28-180 with serial numbers 28-2478 to 284377 inclusive, and on PA-28-235 with serial numbers 28-10676 to 28-11039 inclusive.</p> <p>G - Used on PA-28-150, PA-28-160 and PA-28-180 with serial numbers 28-2515 to 284377 inclusive, and on PA-28-235 with serial numbers 28-10676 to 28-11039 inclusive.</p> <p>H - Used on PA-28-150, PA-28-160 and PA-28-180 only.</p>					

When ordering, always specify Part Number, Description, and Serial Number of Aircraft

PA-28-140
PA-28-150
PA-28-160
PA-28-180
PA-28-235

PIPER PARTS CATALOG

Figure and Index Number	Part Number	Code	NOMENCLATURE	No. Req.	SERIAL NUMBERS AFFECTED
20 -11	434-128	D	GROMMET - (AN931-4-7)	9	
-12	14493-000	D	TUBE ASSEMBLY	1	
-13	63900-025		BUSHING	1	
-14	455-928	D	CLAMP - (A4980-S3-91)	1	
-15	416-999		SCREW - (AN526-1032R-16)	1	
	690-609		WASHER - (NAS1149F0332P)	1	
	404-526		NUT - (MS21042-3)	1	
-16	63904-003	B	HOSE - Plastic	2	
	65165-012	C	TUBE - Aluminum	2	
-17	20886-000	D	PLATE ASSEMBLY	2	
-18	21457-000	D	PAD	2	
-19	63904-004	B	HOSE - Plastic	1	
	65165-013	C	TUBE - Aluminum	1	
-20	454-929		CLAMP - (A4980-S4-91)	2	
-21	62243-000	E	TUBE ASSEMBLY - Static	1	
	68115-000	F	TUBE ASSEMBLY - Static	1	
-22	62244-000	E	TUBE ASSEMBLY - Pitot	1	
	68116-000	F	TUBE ASSEMBLY - Pitot	1	
-23	454-833		CLAMP - (SAE 6)	12	
-24	63207-000		TUBE ASSEMBLY - Airspeed static	1	
-25	83161-002	D	HOSE - Airspeed	7	
-26	485-889		ELBOW - (AN823-3D)	1	
<p>A - Used on PA-28-140 with serial numbers 28-20002 to 28-24999 inclusive, PA-28-150, PA-28-160 and PA-28-180 with serial numbers 28-1 to 28-4377 inclusive, and PA-28-235 with serial numbers 28-10003 to 28-11039 inclusive.</p> <p>B - Used on PA-28-150, PA-28-160 and PA-28-180 with serial numbers 28-1 to 28-1500 inclusive, and PA-28-235 with serial numbers 28-10003 to 28-10208 inclusive.</p> <p>C - Used on PA-28-150, PA-28-160 and PA-28-180 with serial numbers 28-1501 to 28-1760 inclusive, PA-28-235 with serial numbers 28-10209 inclusive, and PA-28-140 with serial numbers 28-20002 to 28-20280 inclusive.</p> <p>D - Used on PA-28-140 with serial numbers 28-20002 to 28-20280 inclusive, PA-28-150, PA-28-160 and PA-28-180 with serial numbers 28-1 to 28-1760 inclusive, and PA-28-235 with serial numbers 28-10003 to 28-10486 inclusive.</p> <p>E - Used on PA-28-140 with serial numbers 28-20281 to 28-24999 inclusive, PA -28-150, PA -28-160 and PA-28-180 with serial numbers 28-1761 to, 28-2477 inclusive, and PA-28-235 with serial numbers 28-10487 to 28-10675 inclusive.</p> <p>F - Used on PA-28-150, PA-28-160 and PA-28-180 with serial numbers 28-2478 to 28-4377 inclusive, and PA-28-235 with serial numbers 28-10676 to 28-11039 inclusive.</p>					

PA-28-140
PA-28-150
PA-28-160
PA-28-180
PA-28-235

When ordering, always specify Part Number, Description, and Serial Number of Aircraft

PIPER PARTS CATALOG

Figure and Index Number	Part Number	Code	NOMENCLATURE	No. Req.	SERIAL NUMBERS AFFECTED
20 -27	63209-000	D,E	TUBE ASSEMBLY - Static	1	28-20002 to 28-20897 inclusive
	63209-000	G	TUBE ASSEMBLY - Static	1	
	63211-000	F	TUBE ASSEMBLY - Static	2	
-28	488-380		TEE - (AN825-3D)	2	
-29	63210-000	D	TUBE ASSEMBLY - Static	1	28-20002 to 28-20897 inclusive
	63210-000	E	TUBE ASSEMBLY - Static	1	
	62317 000	G	TUBE ASSEMBLY - Static	1	
	63211-000	F	TUBE ASSEMBLY - Static	2	
-30	63913-032	C	TUBE - Pitot	1	
-31	63913-035	C	HOSE - Static	1	
-32	554-861		CLAMP - (GS4)	8	
-33	69042-000		GASKET - Pitot head	1	
-34	587-903		SWITCH - Heated pitot (MS35058-22)	1	
-35	488-666		TIP - Heated pitot switch (blue) (207-10-701-53)	1	
-36	477-650		NUT - Heated pitot switch (9011)	1	
-37	454-658		CIRCUIT PROTECTOR - Pitot switch (109-215-102)	1	
-38	476-647	B	NIPPLE - (AN816-3D)	1	
-39	476-643	B	NIPPLE - (AN911-1D)	2	
-40	488-474	B	TEE - (AN917-1D)	1	
<p>A - Used on PA-28-140 with serial numbers 28-20002 to 28-24999 inclusive, PA-28-150, PA-28-160 and PA-28-180 with serial numbers 28-1 to 284377 inclusive, and PA-28-235 with serial numbers 28-10003 to 28-11039 inclusive.</p> <p>B - Used on PA-28-150, PA-28-160 and PA-28-180 with serial numbers 28-3728 to 284377 inclusive, and PA-28-235 with serial numbers 28-10786 to 28-11039 inclusive.</p> <p>C - Used on PA-28-150, PA-28-160 and PA-28-180 with serial numbers 28-1761 to 28-4377 inclusive, PA-28-235 with serial numbers 28-10487 to 28-11039 inclusive, and PA-28-140 with serial numbers 28-20281 to 28-24999 inclusive.</p> <p>D - Used on PA-28-150, PA-28-160 and PA-28-180 with serial numbers 28-1 to 28-1760 inclusive, and PA-28-235 with serial numbers 28-10003 to 28-10486 inclusive.</p> <p>E - Used on PA-28-140 airplanes only.</p> <p>F - Used on PA-28-150, PA-28-160 and PA-28-180 with serial numbers 28-2515 to 28-4377 inclusive, PA-28-235 with serial numbers 28-10676 to 28-11039 inclusive, and PA-28-140 with serial numbers 28-20898 to 28-24999 inclusive.</p> <p>G - Used on PA-28-150, PA-28-160 and PA-28-180 with serial numbers 28-1761 to 28-2514 inclusive, and PA-28-235 with serial numbers 28-10487 to 28-10675 inclusive.</p>					

When ordering, always specify Part Number, Description, and Serial Number of Aircraft

PA-28-140
PA-28-150
PA-28-160
PA-28-180
PA-28-235

THIS PAGE INTENTIONALLY LEFT BLANK

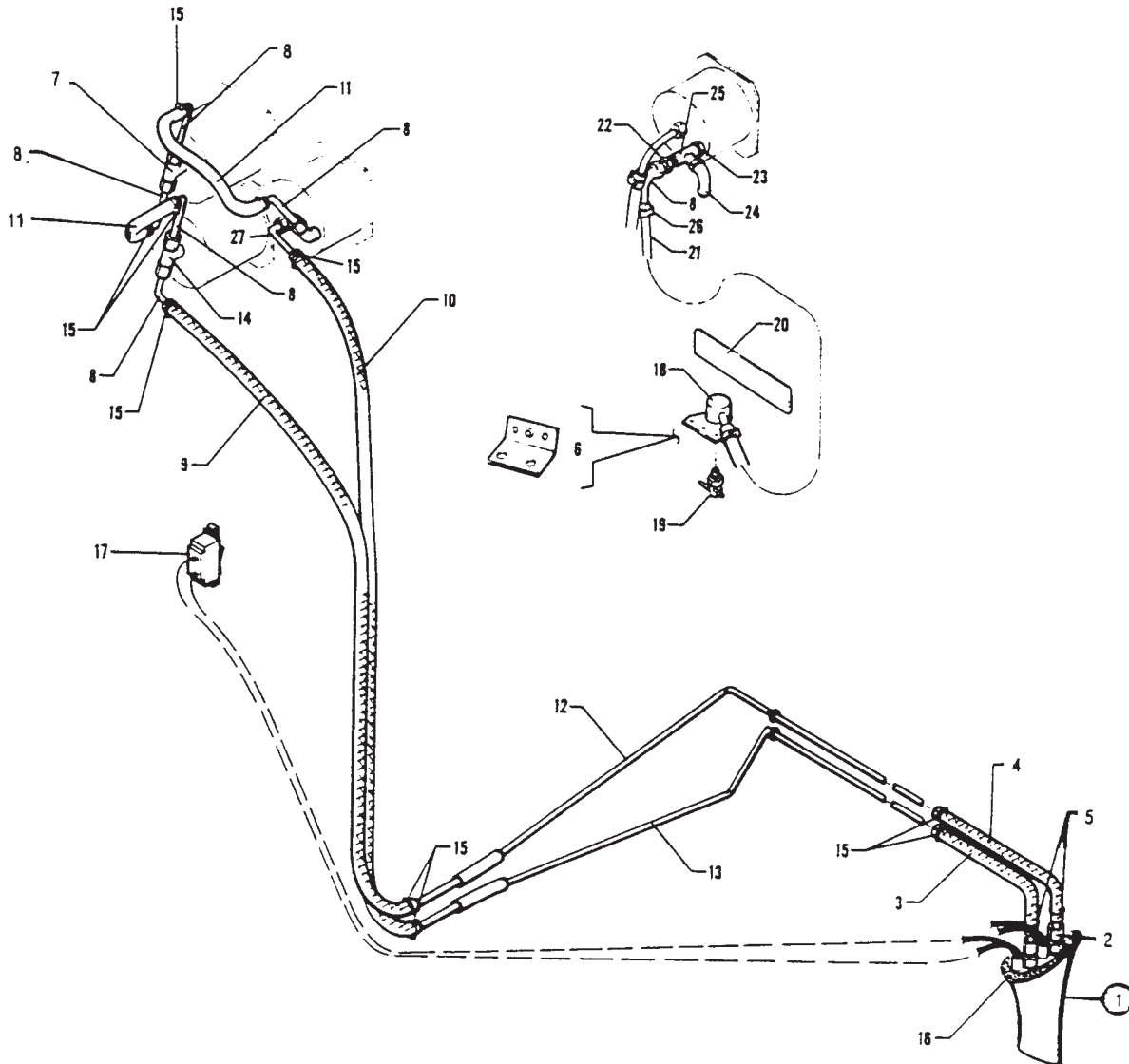


Figure 21. Pitot Static System Installation
 (PA-28-140 - Serial Nos. 28-25000 and up)
 (PA-28-180 - Serial Nos. 28-4378 and up)
 (PA-28-235 - Serial Nos. 28-11040 and up)
 (PA-28R-180 - Serial Nos. 28R-30005 to 28R-30481 inclusive, 28R-30483 and up)
 (PA-28R-200 - Serial Nos. 28R-30482, 28R-35001 and up)

PA-28-140
 PA-28-180
 PA-28-235
 PA-28R-180
 PA-28R-200

THIS PAGE INTENTIONALLY LEFT BLANK

PIPER PARTS CATALOG

Figure and Index Number	Part Number	Code	NOMENCLATURE	No. Req.	SERIAL NUMBERS AFFECTED
21-	67430 68114 69046 67479		DRAWING - Pitot Static System installation (Instruments) DRAWING - Pitot Static System Installation (Wing) DRAWING - Heated Pitot Static System Installation DRAWING - Alternate Static System Installation		
-1	65797-005 69041-005		HEAD ASSEMBLY - Pitot (unheated) HEAD ASSEMBLY - Pitot (heated)	1 1	
-2	556-105		* CONNECTOR - (W/H1068 x 4) Heated pitot head	2	
-3	63913-034		* HOSE - Pitot	1	
-4	63913-037		* HOSE - Static	1	
-5	554-861		* CLAMP - (GS4)	2	
-6	78113-000	B	CLIP - Alternate static valve	1	
-7	488-380		TEE - (AN825-3D)	1	
-8	63211-000		TUBE ASSEMBLY - Static	5	
-9	63913-059	B	HOSE - Static	1	
	63913-105	C	HOSE - Static	1	
-10	63913-035	B	HOSE - Pitot	1	
	63913-104	C	HOSE - Pitot	1	
-11	63913-056		HOSE - Static	2	
-12	68115-000		TUBE ASSEMBLY - Static	1	
-13	68116-000		TUBE ASSEMBLY - Pitot	1	
-14	488-380		TEE - Flared tube with pipe thread on side (AN825-3D)	1	
	488-310		TEE - Flared tube with pipe thread on run (AN826-3D)	1	
-15	554-861		CAMP - (GS-4)	10	
-16	69042-002		GASKET - Pitot head	1	
-17	487-931		SWITCH - Heated pitot, beige (8911K597)	1	
	99377-004		SWITCH - Heated pitot, gray (8911K589)	1	
-18	25290-000		BRACKET ASSEMBLY - Air valve mounting	1	
-19	492-100		VALVE - Alternate static air (CCA-7450)	1	
-20	67768-000		PLACARD - Alternate static sources	1	
-21	63913-070		HOSE - Alternate static	1	
			A - Used on PA-28-180 with serial numbers 28-4378 and up, PA-28-235 with serial numbers 28-11040 and up, PA-28-140 with serial numbers 28-25000 and up, PA-28R-180 and PA-28R-200 airplanes.		
			B - Used on PA-28-180 with serial numbers 284378 to 28-7205328 inclusive, PA-28R-200 with serial numbers 28R-30482, 28R-35001 to 28R-7135238 inclusive, PA-28-235 with serial numbers 28-11040 to 28-7210033 inclusive, PA-28-140 and PA-28R-180 airplanes.		
			C - Used on PA-28-180 with serial numbers 28-7305001 and up, PA-28-235 with serial numbers 28-7310001 and up, and PA-28R-200 with serial numbers 28R-7235001 and up.		

When ordering, always specify Part Number, Description, and Serial Number of Aircraft

PIPER PARTS CATALOG

Figure and Index Number	Part Number	Code	NOMENCLATURE	No. Req.	SERIAL NUMBERS AFFECTED
21 -22	476-647		NIPPLE - Alternate static (AN816-3D)	1	
-23	476-643		NIPPLE - Alternate static (AN911-10)	1	
-24	458-948		ELBOW - Alternate static (1K1-2-4)	1	
-25	488-474		TEE - Alternate static (AN917-1D)	1	
-26	554-861		CLAMP - Alternate static (GS-4)	2	
-27	63207-000		TUBE - Airspeed pitot	1	
<p>A - Used on PA-28-180 with serial numbers 28-4378 and up, PA-28-235 with serial numbers 28-11040 and up, PA-28-140 with serial numbers 28-25000 and up, PA-28R-180 and PA-28R-200 airplanes.</p> <p>B - Used on PA-28-140 with serial numbers 28-7325001 and up, PA-28-180 with serial numbers 28-7305001 and up, PA-28-235 with serial numbers 28-7310001 and up, and PA-28R-200 with serial numbers 28R-7335001 and up.</p>					

PA-28-140
PA-28-180
PA-28-235
PA-28R-180
PA-28R-200

When ordering, always specify Part Number, Description, and Serial Number of Aircraft

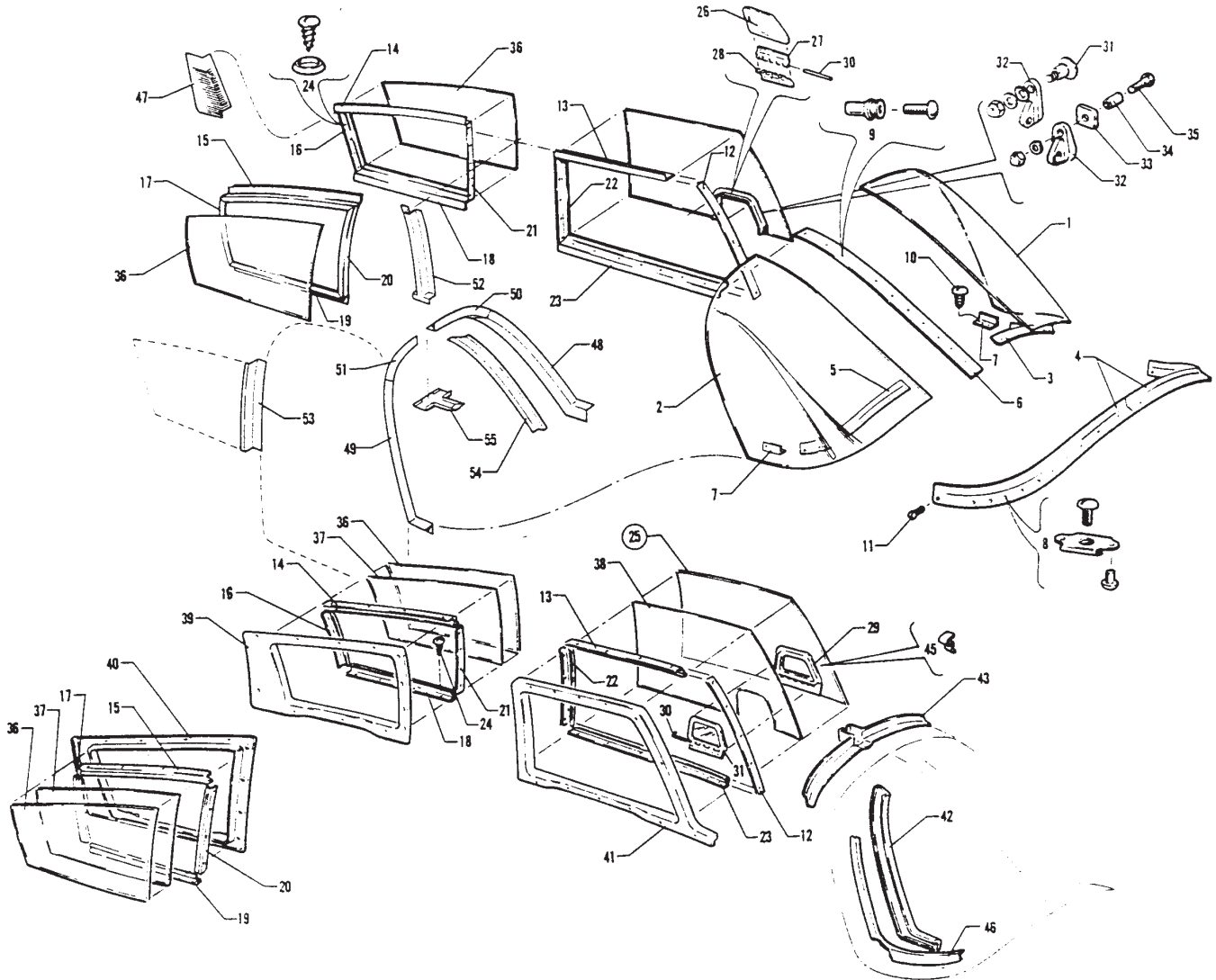


Figure 22. Fuselage Enclosure Installation
 (PA-28-140 - Serial Nos. 28-20002 to 28-7225612 inclusive)
 (PA-28-150-160-180 - Serial Nos. 28-1 to 28-4377 inclusive)
 (PA-28-235 - Serial Nos. 28-10003 to 28-11039 inclusive)

PA-28-140
 PA-28-150
 PA-28-160
 PA-28-180
 PA-28-235

THIS PAGE INTENTIONALLY LEFT BLANK

PIPER PARTS CATALOG

Figure and Index Number	Part Number	Code	NOMENCLATURE	No. Req.	SERIAL NUMBERS AFFECTED
22-	63070	C	DRAWING - Windshield Installation		
	65648	B	DRAWING - Windshield Installation		28-10720 to 28-11039 inclusive
	63071	C	DRAWING - Window Installation		
	65642	B	DRAWING - Window Installation		28-10720 to 28-11039 inclusive
-1	63070-016	E,F	WINDSHIELD - Left	1	
	63070-030		WINDSHIELD - Left	1	28-7125001 and up
-2	63070-015	E,F	WINDSHIELD - Right	1	
	63070-029		WINDSHIELD - Right	1	28-7125001 and up
-3	63070-004	E,F	COLLAR - Inside, left	1	
-4	63070-011		COLLAR - Outside, left	1	
	63070-005		COLLAR - Outside, right	1	
-5	63070-006	E,F	COLLAR - Inside, right	1	
-6	63070-007		TRIM STRIP - Windshield, center	1	
-7	63076-000		D	ZEE - Windshield attachment, right	1
	63077-000	D	ZEE - Windshield attachment, left	1	
	67553-000	E	RETAINER - Windshield attachment, right	1	28-25000 and up
	67552-000	E	RETAINER - Windshield attachment, left	1	28-25000 and up
-8	415-149	E,F	SCREW - (AN526-632R8)	24	
	406-616		ANCHOR NUT - (NAS686C06K)	24	
-9	415-450	E,F	SCREW - (AN526-832R10)	9	
	406-863		RIVNUT - (A8K-75)	9	
-10	419-746	E,F	SCREW - Type "E" #4 1/2 x 1/2 L	4	
-11	415-150		SCREW - (AN526-632R10)	2	
-12	63071-002	C	RETAINER - Left, front, front window	1	
	65642-018	B	RETAINER - Left, front, front window	1	28-10720 to 28-11039 inclusive
-13	63071-003	C	RETAINER - Left, top, front window	1	
	65642-019	B	RETAINER - Left, top, front window	1	28-10720 to 28-11039 inclusive
-14	63071-004	C	RETAINER - Left, top, rear window	1	
	65642-014	B	RETAINER - Left, top, rear window	1	28-10720 to 28-11039 inclusive
-15	63071-005	C	RETAINER - Right, top, rear window	1	
	65642-015	B	RETAINER - Right, top, rear window	1	28-10720 to 28-11039 inclusive
			<p>A - Used on PA-28-140 with serial numbers 28-20002 to 28-7225612 inclusive, PA-28-150, PA-28-160 and PA-28-180 with serial numbers 28-1 to 28-4377 inclusive, and PA-28-235 with serial numbers 28-10003 to 28-11039 inclusive.</p> <p>B - Used on PA-28-235 airplanes only.</p> <p>C - Used on PA-28-235 with serial numbers 28-10003 to 28-10719 inclusive, and all PA-28-140, PA-28-150, PA-28-160 and PA-28-180 airplanes.</p> <p>D - Used on PA-28-140 with serial numbers 28-20002 to 28-24999 inclusive, PA-28-150, PA-28-160 and on PA-28-180 with serial numbers 28-1 to 28-4377 inclusive, and PA-28-235 with serial numbers 28-10003 to 28-10719 inclusive.</p> <p>E - Used on PA-28-140 airplanes only.</p> <p>F - Used if gray tinted windshield is installed.</p>		

When ordering, always specify Part Number, Description, and Serial Number of Aircraft

PA-28-140
PA-28-150
PA-28-160
PA-28-180
PA-28-235

PIPER PARTS CATALOG

Figure and Index Number	Part Number	Code	NOMENCLATURE	No. Req.	SERIAL NUMBERS AFFECTED
22 -16	63071-006	C	RETAINER - Left, rear, rear window	1	
	65642-010	B	RETAINER - Left, rear, rear window	1	28-10720 to 28-11039 inclusive
-17	63071-007	C	RETAINER - Right, rear, rear window	1	
	65642-011	B	RETAINER - Right, rear, rear window	1	28-10720 to 28-11039 inclusive
-18	63071-008	C	RETAINER - Left, bottom, rear window	1	
	65642-009	B	RETAINER - Left, bottom, rear window	1	28-10720 to 28-11039 inclusive
-19	63071-009	C	RETAINER - Right, bottom, rear window	1	
	65642-009	B	RETAINER - Right, bottom, rear window	1	28-10720 to 28-11039 inclusive
-20	63071-010	C	RETAINER - Right, front, rear window	1	
	65642-013	B	RETAINER - Right, front, rear window	1	28-10720 to 28-11039 inclusive
-21	63071-011	C	RETAINER - Left, front, rear window	1	
	65642-012	B	RETAINER - Left, front, rear window	1	28-10720 to 28-11039 inclusive
-22	63071-012	C	RETAINER - Left, rear, front window	1	
	65642-017	B	RETAINER - Left, rear, front window	1	28-10720 to 28-11039 inclusive
-23	63071-013	D	RETAINER - Left, bottom, front window	1	
	63071-019	E	RETAINER - Left, bottom, front window	1	
	65642-016	B	RETAINER - Left, bottom, front window	1	28-10720 to 28-11039 inclusive
-24	419-683	C	SCREW - Type "A" #4 X 1/2	45	
	419-875	B	SCREW - Type "A" Recessed head #4 x 3/8	50	28-10720 to 28-11039 inclusive
	494-001	C	WASHER - #4 Finishing	45	
-25	63072-000	B	WINDOW ASSEMBLY - Front, left	1	
	65826-000	G	WINDOW ASSEMBLY - Front, left	1	
	65826-003	D,F	WINDOW ASSEMBLY - Front, left	1	28-7125001 and up

A - Used on PA-28-140 with serial numbers 28-20002 to 28-7225612 inclusive, PA-28-150, PA-28-160 and PA-28-180 with serial numbers 28-1 to 28-4377 inclusive, and PA-28-235 with numbers 28-10003 to 28-11039 inclusive.

B - Used on PA-28-235 airplanes only.

C - Used on PA-28-235 with serial numbers 28-10003 to 28-10719 inclusive, and all PA-28-140, PA-28-150, PA-28-160 and PA-28-180 airplanes.

D - Used on PA-28-140 airplanes only.

E - Used on PA-28-140 with serial numbers 28-21750 and up, PA-28-150, PA-28-160 and PA-28-180 with serial numbers 28-3362 and up.

F - Used if gray tinted windows are installed.

G - Used on PA-28-140, PA-28-150, PA-28-160 and PA-28-180 airplanes only.

PA-28-140
PA-28-150
PA-28-160
PA-28-180
PA-28-235

When ordering, always specify Part Number, Description, and Serial Number of Aircraft

PIPER PARTS CATALOG

Figure and Index Number	Part Number	Code	NOMENCLATURE	No. Req.	SERIAL NUMBERS AFFECTED
22 -26	21027-000	G	WINDOW ASSEMBLY - Storm	1	28-7125001 and up
	65896-000	D	WINDOW ASSEMBLY - Storm	1	
	65896-002	E,F	WINDOW ASSEMBLY - Storm	1	
-27	65895-000	D	* HINGE - Half	1	
-28	65782-000	D	* HINGE - Half	1	
-29	13945 040	G	STRIP - Rubber, storm window frame seal	1	
-30	63744-009	D	PIN - Storm window hinge	1	
-31	79572-000	B	SCREW - Storm window attachment	1	
	408-826	B	WASHER - Shakeproof (3502-10-71)	1	
	407-041	B	WASHER - (MS35338-41)	1	
	477-696	B	NUT - Dome (8061-NP)	1	
	65742-000	D	LATCH - Storm window	1	
-32	65741-000	C,D	SPACER - Storm window latch	1	
-33	65003-010	C,D	BUSHING - Storm window latch	1	
-34	415-151	C,D	SCREW - (AN526-632R12)	1	
	408-826	C,D	WASHER - Shakeproof (3502-10-71)	1	
	477-696	C,D	NUT - Dome (8061-NP)	1	
			<p>A - Used on PA-28-140 with numbers 28-20002 to 28-7225612 inclusive, PA-28-150, PA-28-160 and PA-28-180 with numbers 28-1 to 28-4377 inclusive, and PA-28-235 with numbers 28-10003 to 28-11039 inclusive.</p> <p>B - Used if latch assembly attachment screw is bonded to window assembly.</p> <p>C - Used if latch assembly attachment screw requires a .191 hole drilled in window assembly.</p> <p>D - Used on PA-28-140, PA-28-150, PA-28-160 and PA-28-180 airplanes only.</p> <p>E - Used on PA-28-140 airplanes only.</p> <p>F - Used if gray tinted windows are installed.</p> <p>G - Used on PA-28-235 airplanes only.</p>		

When ordering, always specify Part Number, Description, and Serial Number of Aircraft

PA-28-140
PA-28-150
PA-28-160
PA-28-180
PA-28-235

PIPER PARTS CATALOG

Figure and Index Number	Part Number	Code	NOMENCLATURE	No. Req.	SERIAL NUMBERS AFFECTED
22 -36	63073-000	J	WINDOW - Rear	2	
	63073-002	E,F	WINDOW - Rear	2	28-7125001 and up
	65642-002	H	WINDOW - Rear, outer, left	1	28-10720 to 28-11039 inclusive
	65642-003	H	WINDOW - Rear, outer, right	1	28-10720 to 28-11039 inclusive
-37	65642-004	H	WINDOW - Rear, inner	2	28-10720 to 28-11039 inclusive
-38	65642-005	H	WINDOW - Front, inner, left	1	28-10720 to 28-11039 inclusive
-39	65659-000	H	TRIM - Window, left rear	1	28-10720 to 28-11039 inclusive
-40	65660-000	H	TRIM - Window, right rear	1	28-10720 to 28-11039 inclusive
-41	65661-000	H	TRIM - Window, left front	1	28-10720 to 28-11039 inclusive
-42	65673-000	H	TRIM - Windshield, right	1	28-10720 to 28-11039 inclusive
-43	65675-000	H	TRIM - Windshield, upper	1	28-10720 to 28-11039 inclusive
-44	65643-000	H	RETAINER - Inner window, left front	1	28-10720 to 28-11039 inclusive
-45	65644-000	H	CLIP - Inner window retainer	4	28-10720 to 28-11039 inclusive
-46	65563-004	H	RETAINER - Windshield mounting, left	1	28-10720 to 28-11039 inclusive
	65563-005	H	RETAINER - Windshield mounting, right	1	28-10720 to 28-11039 inclusive
-47	63117-000	G	PLATE - Scuff, left	1	
	63117-001	C	PLATE - Scuff, right	1	
-48	63149-002	B	TRIM STRIP - Windshield channel, brown	1	
	63149-006	C	TRIM STRIP - Windshield channel, gray	1	
	63149-010	D	TRIM STRIP - Windshield channel, sand	1	
	63149-014	E	TRIM STRIP - Windshield channel, white	1	28-7125195 to 28-7225612 incl.
-49	63149-003	B	TRIM STRIP - Windshield channel, right, brown	1	
	63149-007	C	TRIM STRIP - Windshield channel, right, gray	1	
	63149-011	D	TRIM STRIP - Windshield channel, right, sand	1	
	63149-015	E	TRIM STRIP - Windshield channel, right, white	1	28-7125195 to 28-7225612 incl.
			A - Used on PA-28-140 with serial numbers 28-20002 to 28-7225612 inclusive, PA-28-150, PA-28-160 and PA-28-180 with serial numbers 28-1 to 28-4377 inclusive, and PA-28-235 with serial numbers 28-10003 to 28-11039 inclusive.		
			B - Used on PA-28-140 with serial numbers 28-20002 to 28-21045 inclusive, PA-28-150, PA-28-160 and on PA-28-180 with serial numbers 28-1 to 28-1760 inclusive.		
			C - Used on PA-28-140 with serial numbers 28-20002 to 28-21045 inclusive, PA-28-150, PA-28-160 and PA-28-180 with serial numbers 28-671 to 28-1760 inclusive.		
			D - Used on PA-28-140 with serial numbers 28-21046 to 28-7125194 inclusive, PA-28-150, PA-28-160 and PA-28-180 with serial numbers 28-1761 to 28-4377 inclusive, and PA-28-235 with serial numbers 28-10003 to 28-11039 inclusive.		
			E - Used on PA-28-140 airplanes only.		
			F - Used if gray tinted windows are installed.		
			G - Used on PA-28-140 with serial numbers 28-20002 to 28-7225612 inclusive, PA-28-150, PA-28-160 and PA-28-180 with serial numbers 28-1 to 28-4377 inclusive, and PA-28-235 with serial numbers 28-10003 to 28-10719 inclusive.		
			H - Used on PA-28-235 airplanes only.		
			J - Used on PA-28-235 with serial numbers 28-10003 to 28-10719 inclusive, and all PA-28-140, PA-28-150, PA-28-160 and PA-28-180 airplanes.		

PA-28-140
PA-28-150
PA-28-160
PA-28-180
PA-28-235

When ordering, always specify Part Number, Description, and Serial Number of Aircraft

PIPER PARTS CATALOG

Figure and Index Number	Part Number	Code	NOMENCLATURE	No. Req.	SERIAL NUMBERS AFFECTED
22 -50	63149-004	B	TRIM STRIP - Windshield channel, left, brown	1	
	63149-008	B	TRIM STRIP - Windshield channel, left, gray	1	
-51	63149-012	F	TRIM STRIP - Windshield channel, left, sand	1	
	63149-018	E	TRIM STRIP - Windshield channel, left, sand	1	28-26401 to 28-7125194 incl.
	63149-016	E	TRIM STRIP - Windshield channel, left, white	1	28-7125195 to 28-7225612 incl.
	63149-005	B	TRIM STRIP - Windshield channel, right, brown	1	
	63149-009	B	TRIM STRIP - Windshield channel, right, gray	1	
	63149-013	F	TRIM STRIP - Windshield channel, right, sand	1	
-52	63149-019	E	TRIM STRIP - Windshield channel, right, sand	1	28-26401 to 28-7125194 incl.
	63149-017	E	TRIM STRIP - Windshield channel, right, white	1	28-7125195 to 28-7225612 incl.
	63125-000	B	TRIM STRIP - Window post, left, brown	1	
-53	63125-002	C	TRIM STRIP - Window post, left, gray	1	
	63125-003	D	TRIM STRIP - Window post, left, sand	1	
	63125-004	E	TRIM STRIP - Window post, left, white	1	28-7125195 to 28-7225612 incl.
	63126-000	B	TRIM STRIP - Window post, right, brown	1	
-54	63126-002	C	TRIM STRIP - Window post, right, gray	1	
	63126-003	D	TRIM STRIP - Window post, right, sand	1	
	63126-004	E	TRIM STRIP - Window post, right, white	1	28-7125195 to 28-7225612 incl.
	631 56-000	B	TRIM STRIP - Window, left, brown	1	
-55	63156-002	C	TRIM STRIP - Window, left, gray	1	
	63156-003	D	TRIM STRIP - Window, left, sand	1	
	63156-004	E	TRIM STRIP - Window, left, white	1	28-7125195 to 28-7225612 incl.
	67556-000	E	TRIM - Windshield, sand	1	28-25000 to 28-7125194 incl.
	67556-002	E	TRIM - Windshield, white	1	28-7125195 to 28-7225612 incl.

- A - Used on PA-28-140 with serial numbers 28-20002 to 28-7225612 inclusive, PA-28-150, PA-28-160, PA-28-180 with serial numbers 28-1 to 28-4377 inclusive, and PA-28-235 with serial numbers 28-10003 to 28-11039 inclusive.
- B - Used on PA-28-140 with serial numbers 28-20002 to 28-21045 inclusive, PA-28-150, PA-28-160, and PA-28-180 with serial numbers 28-1 to 28-1760 inclusive.
- C - Used on PA-28-140 with serial numbers 28-20002 to 28-21045 inclusive, PA-28-150, PA-28-160, and PA-28-180 with serial numbers 28-671 to 28-1760 inclusive.
- D - Used on PA-28-140 with serial numbers 28-21046 to 28-7125194 inclusive, PA-28-150, PA-28-160, PA-28-180 with serial numbers 28-1761 to 28-4377 inclusive, and PA-28-235 with serial numbers 28-10003 to 28-11039 inclusive.
- E - Used on PA-28-140 airplanes only.
- F - Used on PA-28-140 with serial numbers 28-21046 to 28-26400 inclusive, PA-28-150, PA-28-160, PA-28-180 with serial numbers 28-1761 to 28-4377 inclusive, and PA-28-235 with serial numbers 28-10003 to 28-11039 inclusive.

When ordering, always specify Part Number, Description, and Serial Number of Aircraft

PA-28-140
PA-28-150
PA-28-160
PA-28-180
PA-28-235

THIS PAGE INTENTIONALLY LEFT BLANK

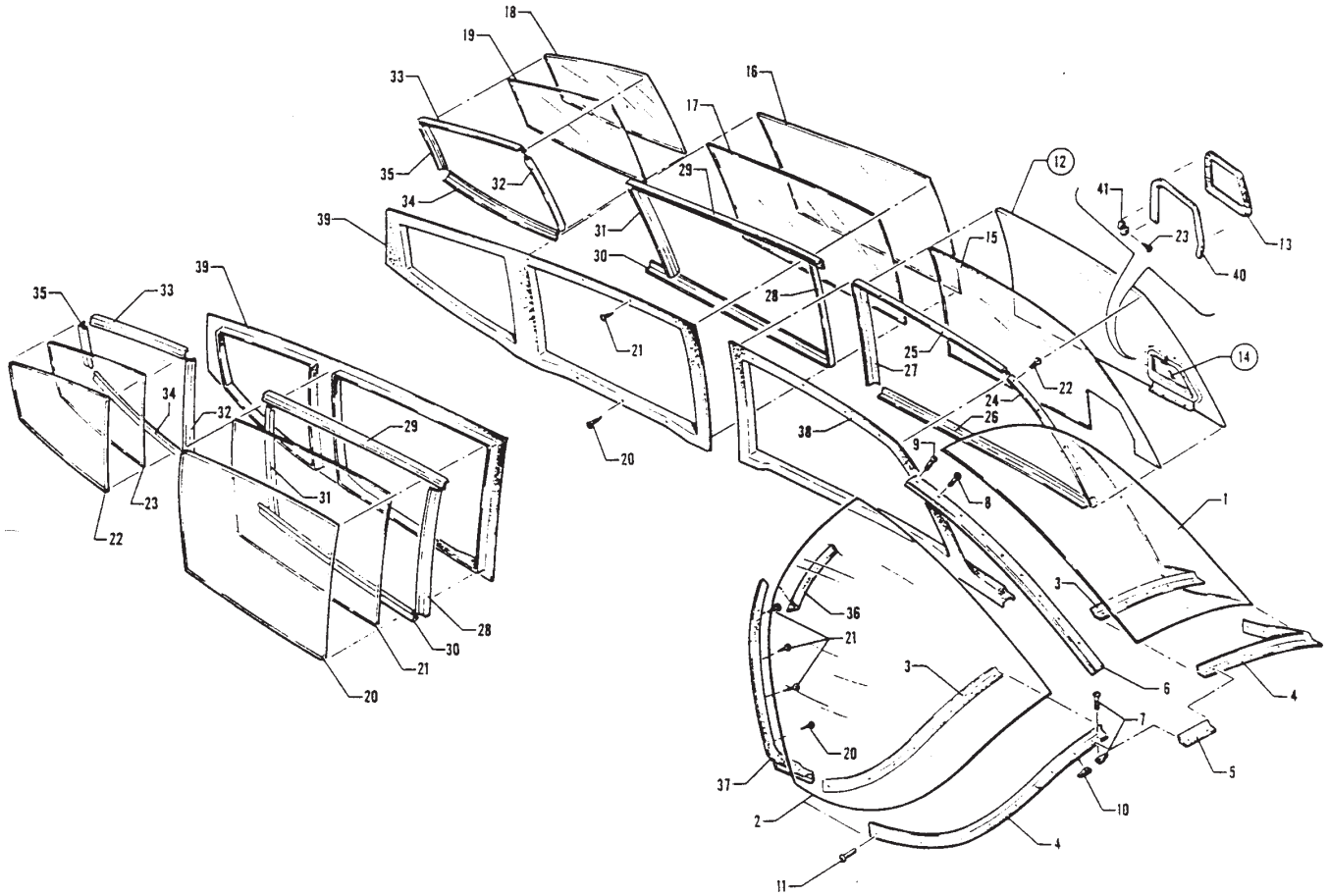


Figure 22A. Fuselage Enclosure Installation
(PA-28-235 - Serial Nos. 28-11040 to 28-7210033 inclusive)

THIS PAGE INTENTIONALLY LEFT BLANK

PIPER PARTS CATALOG

Figure and Index Number	Part Number	Code	NOMENCLATURE	No. Req.	SERIAL NUMBERS AFFECTED
22A-	65648 69255		DRAWING - Windshield Installation DRAWING - Window Installation		
-1	63070-016		WINDSHIELD - Left	1	
	63070-030	B	WINDSHIELD - Left	1	28-7110001 and up
-2	63070-015		WINDSHIELD - Right	1	
	63070-029	B	WINDSHIELD - Right	1	28-7110001 and up
-3	63070-004		COLLAR - Inside, left	1	
	63070-006		COLLAR - Inside, right	1	
-4	63070-011		COLLAR - Outside, left	1	
	63070-005		COLLAR - Outside, right	1	
-5	63070-014		PLATE - Windshield collar, outside center	1	
-6	63070-007		TRIM STRIP - Windshield, center	1	
-7	415-149		SCREW - (AN526-632R8)	24	
	406-616		ANCHOR NUT - (NAS686C06K)	23	
-8	415-450		SCREW - (AN526-632R8)	8	
	406-863		RIVNUT - (A8K-75)	8	
-9	415-447		SCREW - (AN526-832R7)	1	
-10	406-809		ANCHOR NUT - (NAS687A06K)	1	
-11	415-150		SCREW - (AN526-632R10)	2	
-12	63072-000		WINDOW ASSEMBLY - Outer front, left	1	
	63072-004	B	WINDOW ASSEMBLY - Outer front, left	1	28-7110001 and up
-13	13945-040		* STRIP - Rubber, storm window frame seal	1	
-14	21027-000		* WINDOW ASSEMBLY - Storm	1	
	99406-000	B	* WINDOW ASSEMBLY - Storm	1	28-7110001 and up
-15	65642-005		WINDOW ASSEMBLY - Inner front, left	1	
-16	67379-000		WINDOW ASSEMBLY - Outer center, left	1	
	67379-003	B	WINDOW ASSEMBLY - Outer center, left	1	28-7110001 and up
	67379-001		WINDOW ASSEMBLY - Outer center, right	1	
	67379-004	B	WINDOW ASSEMBLY - Outer center, right	1	28-7110001 and up
-17	67379-002		WINDOW - Inner center	2	
-18	67368-000		WINDOW - Outer rear, left	1	
	67368-003	B	WINDOW - Outer rear, left	1	28-7110001 and up
	67369-000		WINDOW - Outer rear, right	1	
	67369-003	B	WINDOW - Outer rear, right	1	28-7110001 and up
-19	67368-002		WINDOW - Inner rear, left	1	
	67369-002		WINDOW - Inner rear, right	1	
			A - Used on PA-28-235 with serial numbers 28-11040 to 28-7210033 inclusive. B - Used if gray tinted windshield and windows are installed.		

When ordering, always specify Part Number, Description, and Serial Number of Aircraft

PIPER PARTS CATALOG

Figure and Index Number	Part Number	Code	NOMENCLATURE	No. Req.	SERIAL NUMBERS AFFECTED
22A-20	419-647		SCREW - Type "A" recessed head #6 x 5/8	19	
-21	419-646		SCREW - Type "A" recessed head #6 x 1/2	35	
-22	419-875		SCREW - Type "A" recessed head #4 x 3/8	74	
-23	419-928		SCREW - Type "A" recessed head #4 x 1/4	4	
-24	65642-018		RETAINER - Front window, front, left	1	
-25	65642-019		RETAINER - Front window, top, left	1	
-26	65642-016		RETAINER - Front window, bottom, left	1	
-27	65642-017		RETAINER - Front window, rear, left	1	
-28	65642-012		RETAINER - Center window, front, left	1	
	65642-013		RETAINER - Center window, front, right	1	
-29	69255-012		RETAINER - Center window, top, left	1	
	69255-013		RETAINER - Center window, top, right	1	
-30	69255-011		RETAINER - Center window, bottom	2	
-31	69255-014		RETAINER - Center window, rear, left	1	
	69255-015		RETAINER - Center window, rear, right	1	
-32	69255-008		RETAINER - Rear window, front, left	1	
	69255-007		RETAINER - Rear window, front, right	1	
-33	69255-006		RETAINER - Rear window, top, left	1	
	69255-005		RETAINER - Rear window, top, right	1	
-34	69252-000		RETAINER - Rear window, bottom left	1	
	69253-000		RETAINER - Rear window, bottom right	1	
-35	69255-010		RETAINER - Rear window, rear, left	1	
	69255-009		RETAINER - Rear window, rear, right	1	
-36	65675-000		TRIM - Windshield, upper, sand	1	28-11040 to 28-11300 inclusive
	66947 000		TRIM - Windshield, upper, white	1	28-11301 and up
-37	65673-002		TRIM - Windshield, right, sand	1	28-11040 to 28-11300 inclusive
	65673-003		TRIM - Windshield, right, white	1	28-11301 and up
-38	65661-002		TRIM - Window, left front, sand	1	28-11040 to 28-11300 inclusive
	66898 000		TRIM - Window, left front, white	1	28-11301 and up
-39	69256-000		TRIM - Center and rear, left, sand	1	28-11040 to 28-11300 inclusive
	69256-002		TRIM - Center and rear, left, white	1	28-11301 and up
	69257-000		TRIM - Center and rear, right, sand	1	28-11040 to 28-11300 inclusive
	69257-002		TRIM - Center and rear, right, white	1	28-11301 and up
-40	65643-000		RETAINER - Storm window	1	
-41	65644-000		CLIP - Inner window retainer	4	

A - Used on PA-28-235 with serial numbers 28-11040 to 28-7210033 inclusive.

When ordering, always specify Part Number, Description, and Serial Number of Aircraft

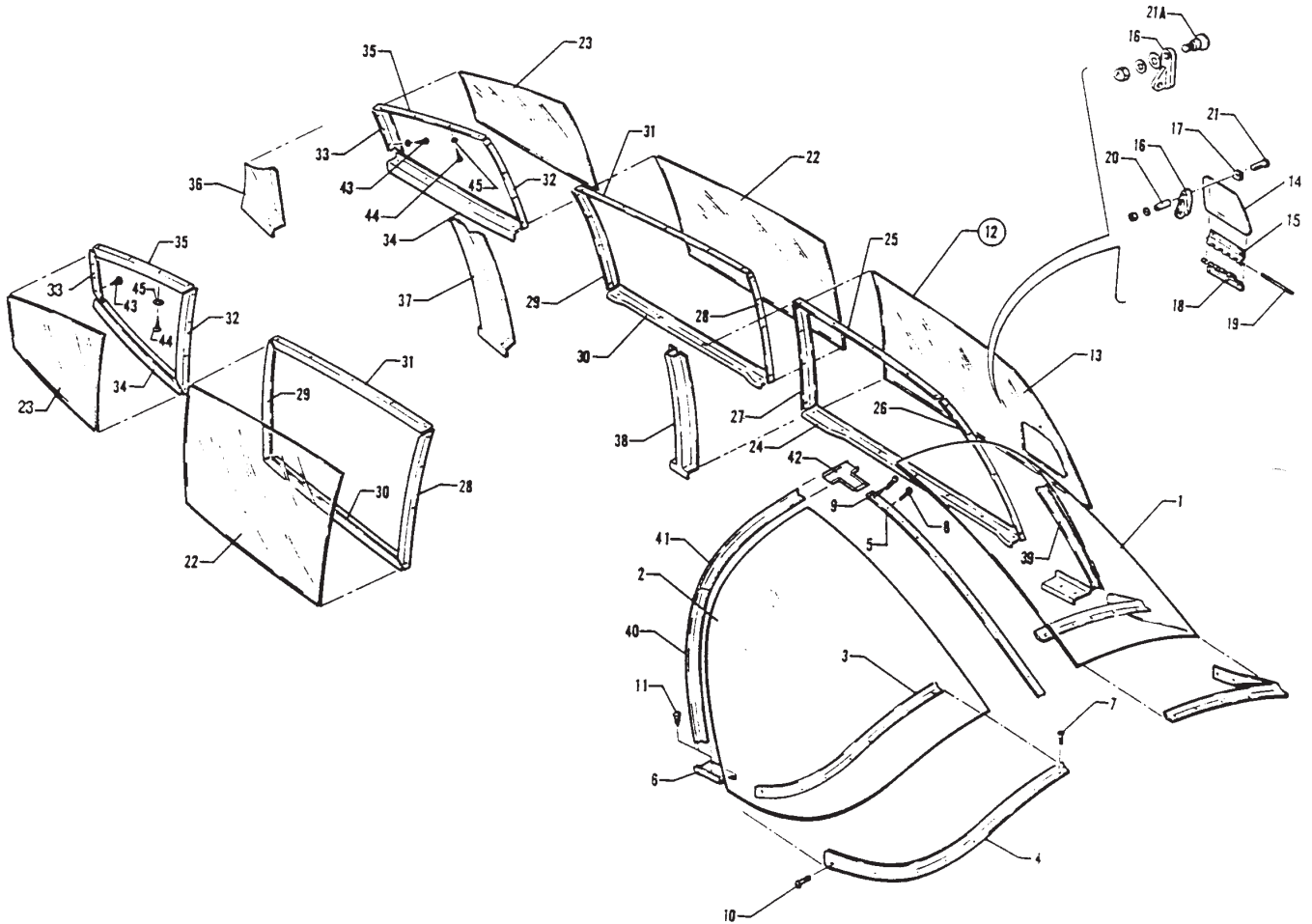


Figure 23. Fuselage Enclosure Installation
 (PA-28-180 - Serial Nos. 28-4378 to 28-7205328 inclusive)
 (PA-28R-180 - Serial Nos. 28R-30005 to 28R-30481 inclusive, 28R-30483 to 28R-7130019 inclusive)
 (PA-28R-200 - Serial Nos. 28R-30482, 28R-35001 to 28R-7235330 inclusive)

THIS PAGE INTENTIONALLY LEFT BLANK

PIPER PARTS CATALOG

Figure and Index Number	Part Number	Code	NOMENCLATURE	No. Req.	SERIAL NUMBERS AFFECTED
23-	63070 67381		DRAWING - Windshield Installation DRAWING - Window Installation		
-1	63070-016		WINDSHIELD - Left	1	
	63070-030	B,C	WINDSHIELD - Left	1	
-2	63070-015		WINDSHIELD - Right	1	
	63070-029	B,C	WINDSHIELD - Right	1	
-3	63070-004		COLLAR - Inside, Left	1	
	63070-006		COLLAR - Inside, right	1	
-4	63070-011		COLLAR - Outside, left	1	
	63070-005		COLLAR - Outside, right	1	
-5	63070-007		TRIM STRIP - Windshield, center	1	
-6	67552-000		RETAINER - Windshield mounting, left	1	
	67553-000		RETAINER - Windshield mounting, right	1	
-7	415-149		SCREW - (AN526-632R8)	24	
	406-616		NUT - Anchor (NAS686C06K)	23	
-8	415-450		SCREW - (AN526-832R10)	8	
	406-863		RIVNUT - (A8K-75)	8	
-9	415-447		SCREW - (AN526-632R7)	1	
-10	415-150		SCREW - (AN526-632R10)	2	
-11	419-746		SCREW - (4 x 1/2" L) Type "A"	4	
	494-001		WASHER - (4 Finishing)	4	
-12	65826-000	D	WINDOW ASSEMBLY - Front, left	1	
	65826-005	F	WINDOW ASSEMBLY - Front, left	1	28R-7235001 and up
	65826-003	B,E	WINDOW ASSEMBLY - Front, left	1	
	65826-006	B,F	WINDOW ASSEMBLY - Front, left	1	28R-7235001 and up
-13	65798-000	D	* WINDOW - Front, left	1	
	65798-003	F	* WINDOW - Front, left	1	28R-7235001 and up
	65798-002	B,E	* WINDOW - Front, left	1	
	65798-004	B,F	* WINDOW - Front, left	1	28R-7235001 and up
-14	65896-000		* WINDOW ASSEMBLY - Storm	1	
	65896-002	B,C	* WINDOW ASSEMBLY - Storm	1	
-15	65895-000		* HINGE - Half	1	
<p>A - Used on PA-28-180 with serial numbers 28-4378 to 28-7205328 inclusive, PA-28R-180 with serial numbers 28R-30005 to 28R-30481 inclusive, 28R-30483 to 28R-7130019 inclusive, and PA-28R-200 with serial numbers 28R-30482, 28R-35001 to 28R-7235330 inclusive.</p> <p>B - Used if gray tinted windshield and windows are installed.</p> <p>C - Used on PA-28-180 with serial numbers 28-7105001 and up, PA-28R-180 with serial numbers 28R-7130001 and up, and PA-28R-200 with serial numbers 28R-7135001 and up.</p> <p>D - Used on PA-28-180 with serial numbers 28-4378 and up, PA-28R-180 with serial numbers 28R-30005 to 28R-30481 inclusive, 28R-30483 to 28R-7130019 inclusive, and on PA-28R-200 with serial numbers 28R-30482, 28R-35001 to 28R-7135238 inclusive.</p> <p>E - Used on PA-28-180 with serial numbers 28-7105001 and up, PA-28R-180 with serial numbers 28R-7130001 to 28R-7130019 inclusive, and PA-28R-200 with serial numbers 28R-7135001 to 28R-7135238 inclusive.</p> <p>F - Used on PA-28R-200 airplanes only.</p>					

When ordering, always specify Part Number, Description, and Serial Number of Aircraft

PIPER PARTS CATALOG

Figure and Index Number	Part Number	Code	NOMENCLATURE	No. Req.	SERIAL NUMBERS AFFECTED
23 -16	65742-000		* LATCH ASSEMBLY - Storm window	1	
-17	65741-000	F	* SPACER - Storm window latch	1	
-18	65782-000		* HINGE - Half	1	
-19	63744-009		* PIN - Hinge	1	
-20	65003-010	F	* BUSHING - Storm window latch	1	
-21	415-151	F	* SCREW - (AN526-632R12)	1	
	408-823	F	* WASHER - Shakeproof (3502-10-71)	1	
	407-041	F	* WASHER - Lock (MS35338-41)	1	
	477-696	F	* NUT - Dome (8061-NP)	1	
-21a	79572-000	G	* SCREW - Storm window attachment	1	
	408-826	G	* WASHER - Shakeproof (3502-10-71)	1	
	407-041	G	* WASHER - (MS35338-41)	1	
	477-696	G	* NUT - Dome (8061-NP)	1	
-22	67379-000		WINDOW - Center, left	1	
	67379-003	B,C	WINDOW - Center, left	1	
	67379-001		WINDOW - Center, right	1	
	67379-004	B,C	WINDOW - Center, right	1	
-23	67368-000		WINDOW - Rear, left	1	
	67368-003	B,C	WINDOW - Rear, Left	1	
	67369-000		WINDOW - Rear, right	1	
	67369-003	B,C	WINDOW - Rear, right	1	
-24	67370-000	D	RETAINER - Front window, bottom, left	1	
	76142-000	E	RETAINER - Front window, bottom, left	1	28R-7235001 and up
-25	63071-003	D	RETAINER - Front window, top, left	1	
	76143-000	E	RETAINER - Front window, top, left	1	28R-7235001 and up
-26	63071-002		RETAINER - Front window, front, left	1	
-27	63071-012		RETAINER - Front window, rear, left	1	
-28	63071-017		RETAINER - Center window, front, left	1	
	63071-018		RETAINER - Center window, front, right	1	
-29	67371-000		RETAINER - Center window, rear, left	1	
	67371-001		RETAINER - Center window, rear, right	1	
-30	67374-000		RETAINER - Center window, bottom, left	1	
	67374-001		RETAINER - Center window, bottom, right	1	
-31	67385-000		RETAINER - Center window, top, left	1	
	67385-001		RETAINER - Center window, top, right	1	
<p>A - Used on PA-28-180 with serial numbers 28-4378 to 28-7205328 inclusive, PA-28R-180 with serial numbers 28R-30005 to 28R-30481 inclusive, 28R-30483 to 28R-7130019 inclusive, and PA-28R-200 with serial numbers 28R-30482, 28R-35001 to 28R-7235330 inclusive.</p> <p>B - Used if gray tinted windshield and windows are installed.</p> <p>C - Used on PA-28-180 with serial numbers 28-7105001 and up, PA-28R-180 with serial numbers 28R-7130001 and up, and on PA-28R-200 with serial numbers 28R-7135001 and up.</p> <p>D - Used on PA-28-180 with serial numbers 28-4378 and up, PA-28R-180 with serial numbers 28R-30005 to 28R-30481 inclusive, 28R-30482 to 28R-7130019 inclusive, and on PA-28R-200 with serial numbers 28R-30482, 28R-35001 to 28R-7135238 inclusive.</p> <p>E - Used on PA-28R-200 airplanes only.</p> <p>F - Used if latch assembly attachment screw requires a .191 hole drilled in window assembly.</p> <p>G - Used if latch assembly attachment screw is bonded to window assembly.</p>					

When ordering, always specify Part Number, Description, and Serial Number of Aircraft

PIPER PARTS CATALOG

Figure and Index Number	Part Number	Code	NOMENCLATURE	No. Req.	SERIAL NUMBERS AFFECTED
23 -32	67375-000		RETAINER - Rear window, front, left	1	
	67375-001		RETAINER - Rear window, front, right	1	
-33	67372-000		RETAINER - Rear window, rear, left	1	
	67372-001		RETAINER - Rear window, rear, right	1	
-34	67377-000		RETAINER - Rear window, bottom, left	1	
	67378-000		RETAINER - Rear window, bottom, right	1	
-35	67376-000		RETAINER - Rear window, top	2	
-36	67311-000	B	COVER - Sta. 156, left, sand	1	
	67311-002	C	COVER - Sta. 156, left, white	1	
	67312-000	B	COVER - Sta. 156, right, sand	1	
	67312-002	C	COVER - Sta. 156, right, white	1	
-37	67313-000	B	COVER - Sta. 128.737, left, sand	1	
	67313-002	C	COVER - Sta. 128.737, left, white	1	
	67314-000	B	COVER - Sta. 128.737, right, sand	1	
	67314-002	C	COVER - Sta. 128.737, right, white	1	
-38	63125-003	B	COVER - Window post, left, sand	1	
	63125-004	C	COVER - Window post, left, white	1	
	63126-003	B	COVER - Window post, right, sand	1	
	63126-004	C	COVER - Window post, right, white	1	
-39	63156-003	B	COVER - Window, left, sand	1	
	63156-004	C	COVER - Window, left, white	1	
-40	63149,010	B	COVER - Windshield bow, left, lower, sand	1	
	63149-014	C	COVER - Windshield bow, left, lower, white	1	
	63149-011	B	COVER - Windshield bow, right, lower, sand	1	
	63149-015	C	COVER - Windshield bow, right, lower, white	1	
-41	63149-012	B	COVER - Windshield bow, left, upper, sand	1	
	63149-016	C	COVER - Windshield bow, left, upper, white	1	
	63149-013	B	COVER - Windshield bow, right, upper, sand	1	
	63149-017	C	COVER - Windshield bow, right, upper, white	1	
-42	67556-000	B	TRIM - Windshield, sand	1	
	67556-002	C	TRIM - Windshield, white	1	
-43	419-641		SCREW - (4 x 1/2" L) Type A Truss	37	
-44	419-683		SCREW - (4 x 1/2" L) Type A Oval	49	
-45	494-001		WASHER	49	
<p>A - Used on PA-28-180 with serial number 28-4378 to 28-7205328 inclusive, PA-28R-180 with serial numbers 28R-30005 to 28R-30431 inclusive, 28R-30483 to 28R-7130019 inclusive, and PA-28R-200 with serial numbers 28R-30482, 28R-35001 to 28R-7235330 inclusive.</p> <p>B - Used on PA-28-180 with serial numbers 28-4378 to 28-5600 inclusive, PA-28R-180 with serial numbers 28R-30005 to 28R-30481 inclusive, 28R-30483 to 28R-31250 inclusive, and PA-28R-200 with serial numbers 28R-30482, 28R-35001 to 28R-35600 inclusive.</p> <p>C - Used on PA-28-180 with serial numbers 28-5601 and up, PA-28R-180 with serial numbers 28R-31251 and up, and PA-28R-200 with serial numbers 28R-35601 and up.</p>					

When ordering, always specify Part Number, Description, and Serial Number of Aircraft

THIS PAGE INTENTIONALLY LEFT BLANK

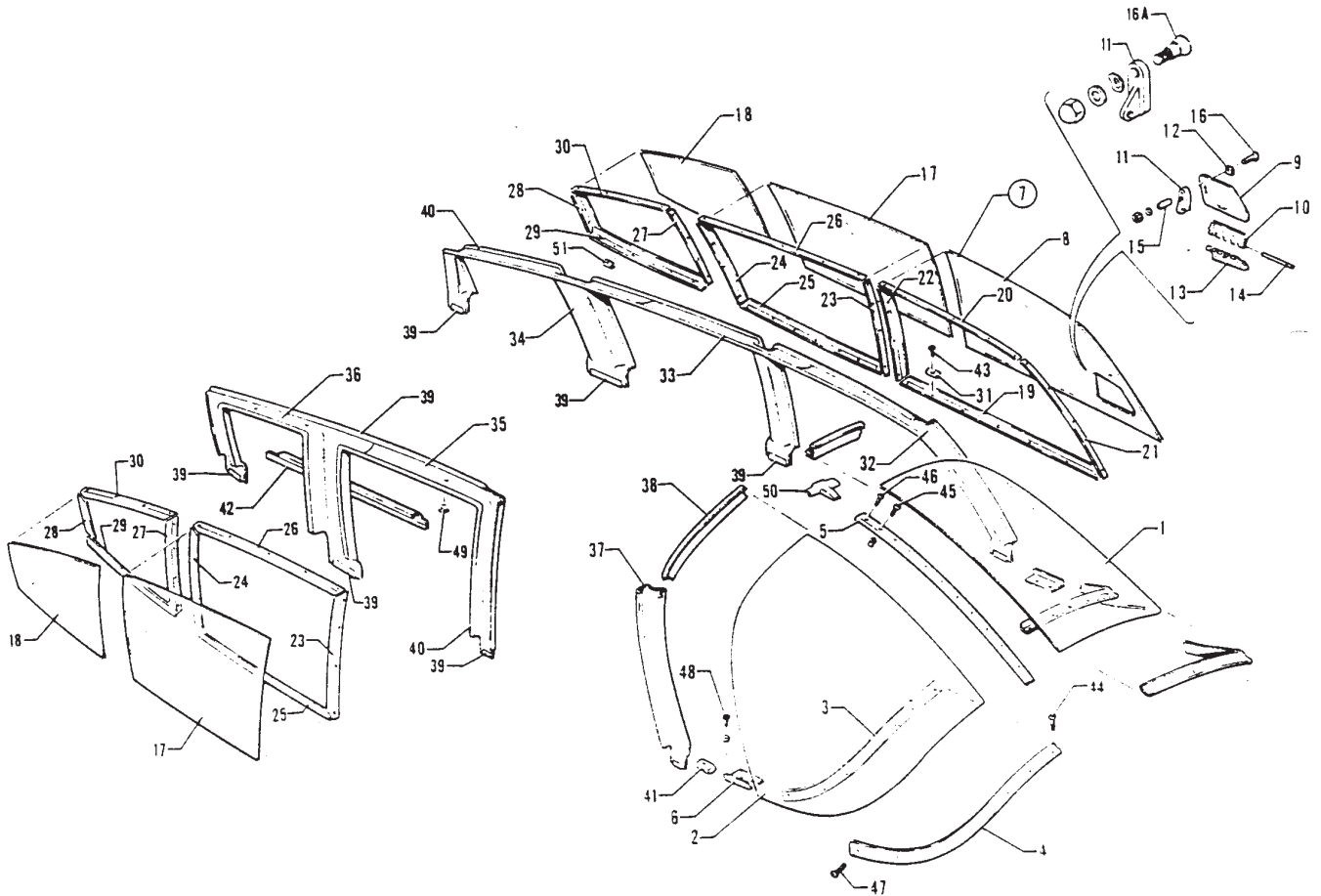


Figure 23A. Fuselage Enclosure Installation
 (PA-28-180 - Serial Nos. 28-7305001 and up)
 (PA-28-235 - Serial Nos. 28-7310001 and up)
 (PA-28R-200 - Serial Nos. 28R-7335001 and up)

THIS PAGE INTENTIONALLY LEFT BLANK

PIPER PARTS CATALOG

Figure and Index Number	Part Number	Code	NOMENCLATURE	No. Req.	SERIAL NUMBERS AFFECTED
23A-	63070 76198 76361	D C	DRAWING - Windshield Installation DRAWING - Window Installation DRAWING - Window Installation		
-1	63070-016 63070-046 79296-016 63070-030 63070-042 79296-018	D C C B,D B,C B,C	WINDSHIELD - Left (.125 thick) WINDSHIELD - Left (.125 thick) WINDSHIELD - Left (.250 thick) WINDSHIELD - Left (.125 thick) WINDSHIELD - Left (.125 thick) WINDSHIELD - Left (.250 thick)	1 1 1 1 1 1	
-2	63070-015 63070-045 79296-017 63070-029 63070-041 79296-019	D C C B,D B,C B,C	WINDSHIELD - Right (.125 thick) WINDSHIELD - Right (.125 thick) WINDSHIELD - Right (.250 thick) WINDSHIELD - Right (.125 thick) WINDSHIELD - Right (.125 thick) WINDSHIELD - Right (.250 thick)	1 1 1 1 1 1	
-3	63070-004 63070-043 63070-006 63070-044	D C D C	COLLAR - Inside, left COLLAR - Inside, left COLLAR - Inside, right COLLAR - Inside, right	1 1 1 1	
-4	63070-011 63070-005		COLLAR - Outside, left (with .125 thick windshield) COLLAR - Outside, right (with .125 thick windshield)	1 1	
-5	63070-007 79557-000	E F	TRIM STRIP - Windshield, center TRIM STRIP - Windshield, center	1 1	
-6	79154-000 79155-000		RETAINER - Windshield moulding, left RETAINER - Windshield moulding, right	1 1	
<p>A - Used on PA-28-180 with serial numbers 28-7305001 and up, PA-28-235 with serial numbers 28-7310001 and up, and PA-28R-200 with serial numbers 28R-7335001 and up.</p> <p>B - Used if gray tinted windshield and windows are installed.</p> <p>C - Used on PA-28-180 with serial numbers 28-7405001 and up, PA-28-235 with serial numbers 28-7410001 and up, and PA-28R-200 with serial numbers 28R-7435001 and up.</p> <p>D - Used on PA-28-180 with serial numbers 28-7305001 to 28-7305611 inclusive, PA-28-235 with serial numbers 28-7310001 to 28-7310187 inclusive, and PA-28R-200 with serial numbers 28R-7335001 to 28R-7335455 inclusive.</p> <p>E - Used on PA-28-180, PA-28-235 with serial numbers 28-7310001 to 28-7610020 inclusive, and PA-28R-200 with serial numbers 28R-7335001 to 28R-7635017 inclusive.</p> <p>F - Used on PA-28-235 with serial numbers 28-7610021 and up, and PA-28R-200 with serial numbers 28R-7635018 and up.</p>					

When ordering, always specify Part Number, Description, and Serial Number of Aircraft

PIPER PARTS CATALOG

Figure and Index Number	Part Number	Code	NOMENCLATURE	No. Req.	SERIAL NUMBERS AFFECTED
23A-7	65826-005		WINDOW ASSEMBLY - Front, left	1	
	65826-006	B	WINDOW ASSEMBLY - Front, left	1	
-8	65798-003		* WINDOW - Front, left	1	
	65798-004	B	* WINDOW - Front, left	1	
-9	65896-000		* WINDOW ASSEMBLY - Storm	1	
	65896-002	B	* WINDOW ASSEMBLY - Storm	1	
-10	65895-000		** HINGE - Half	1	
-11	65742-000		* LATCH ASSEMBLY - Storm window	1	
-12	65741-000	E	* SPACER - Storm window latch	1	
-13	65782-000		* HINGE - Half	1	
-14	63744-009		* PIN - Hinge	1	
-15	65003-010	E	* BUSHING - Storm window latch	1	
-16	415-151	E	* SCREW - (AN526-632R12)	1	
	408-826	E	* WASHER - Shakeproof (3502-10-71)	1	
	407-041	E	* WASHER - Lock (MS35338-41)	1	
	477-696	E	* NUT - Dome (8061-NP)	1	
-16a	79572-000	F	* SCREW - Storm window attachment	1	
	408-826	F	* WASHER - Shakeproof (3502-10-71)	1	
	407-041	F	* WASHER - (MS35338-41)	1	
	477-696	F	* NUT - Dome (8061-NP)	1	
-17	67379-000	C	WINDOW - Center, left	1	
	76275-000	D	WINDOW - Center, left (.080 thick)	1	
	76275-003	D	WINDOW - Center, left (.125 thick)	1	
	67379-003	B,C	WINDOW - Center, left	1	
	76275-002	B,D	WINDOW - Center, left (.080 thick)	1	
	76275-004	B,D	WINDOW - Center, left (.125 thick)	1	
	67379-001	C	WINDOW - Center, right	1	
	76276-000	D	WINDOW - Center, right (.080 thick)	1	
	76276-003	D	WINDOW - Center, right (.125 thick)	1	
	67379-004	B,C	WINDOW - Center, right	1	
	76276-002	B,D	WINDOW - Center, right (.080 thick)	1	
	76276-004	B,D	WINDOW - Center, right (.125 thick)	1	
			A - Used on PA-28-180 with serial numbers 28-7305001 and up, PA-28-235 with serial numbers 28-7310001 and up, and PA-28R-200 with serial numbers 28R-7335001 and up.		
			B - Used if gray tinted windshield and windows are installed.		
			C - Used on PA-28-180 with serial numbers 28-7305001 to 28-7305611 inclusive, PA-28-235 with serial numbers 28-7310001 to 28-7310187 inclusive, and PA-28R-200 with serial numbers 28R-7335001 to 28R-7335455 inclusive.		
			D - Used on PA-28-180 with serial numbers 28-7425001 and up, PA-28-235 with serial numbers 28-7410001 and up, and PA-28R-200 with serial numbers 28R-7435001 and up.		
			E - Used if latch assembly attachment screw requires a .191 hole drilled in window assembly.		
			F - Used if latch assembly attachment screw is bonded to window assembly.		

When ordering, always specify Part Number, Description, and Serial Number of Aircraft

PIPER PARTS CATALOG

Figure and Index Number	Part Number	Code	NOMENCLATURE	No. Req.	SERIAL NUMBERS AFFECTED	
23A-18	67368-000	B	WINDOW - Rear, left	1		
	76277 000	D	WINDOW - Rear, left (.080 thick)	1		
	76277-003	D	WINDOW - Rear, left (.125 thick)	1		
	67368-003	B,C	WINDOW - Rear, left	1		
	76277-002	C,D	WINDOW - Rear, left (.080 thick)	1		
	76277-004	C,D	WINDOW - Rear, left (.125 thick)	1		
	67369-000	B	WINDOW - Rear, right	1		
	76278-000	D	WINDOW - Rear, right (.080 thick)	1		
	76278-003	D	WINDOW - Rear, right (.125 thick)	1		
	67369-003	B,C	WINDOW - Rear, right	1		
	76278-002	C,D	WINDOW - Rear, right (.080 thick)	1		
	76278-004	C,D	WINDOW - Rear, right (.125 thick)	1		
	-19	76197-000		RETAINER - Front window, bottom, left	1	
	-20	76143-000		RETAINER - Front window, top, left	1	
	-21	63071-002	E	RETAINER - Front window, front, left	1	
		79562-000	F	RETAINER - Front window, front, left	1	
	-22	63071-012		RETAINER - Front window, rear, left	1	
	-23	63071-017	B	RETAINER - Center window, front, left	1	
		76264-000	D	RETAINER - Center window, front, left	1	
	-24	63071-018		RETAINER - Center window, front, right	1	
67371-000		B	RETAINER - Center window, rear, left	1		
-25	76267-000	D	RETAINER - Center window, rear, left	1		
	67371-001	B	RETAINER - Center window, rear, right	1		
	76267-001	D	RETAINER - Center window, rear, right	1		
	76194-000	B	RETAINER - Center window, bottom, left	1		
	76268-000	D	RETAINER - Center window, bottom, left	1		
	76194-001	B	RETAINER - Center window, bottom, right	1		
	76269-000	D	RETAINER - Center window, bottom, right	1		
			A - Used on PA-28-180 with serial numbers 28-7305001 and up, PA-28-235 with serial numbers 28-7310001 and up, and PA-28R-200 with serial numbers 28R-7335001 and up.			
			B - Used on PA-28-180 with serial numbers 28-7305001 to 28-7305611 inclusive, PA-28-235 with serial numbers 28-7310001 to 28-7310187 inclusive, and PA-28R-200 with serial numbers 28R-7335001 to 28R-7335455 inclusive.			
			C - Used if gray tinted windshield and windows are installed.			
			D - Used on PA-28-180 with serial numbers 28-7425001 and up, PA-28-235 with serial numbers 28-7410001 and up, and PA-28R-200 with serial numbers 28R-7435001 and up.			
			E - Used on PA-28-180, PA-28-235 with serial numbers 28-7310001 to 28-7610020 inclusive, and PA-28R-200 with serial numbers 28R-7335001 to 28R-7635017 inclusive.			
			F - Used on PA-28-235 with serial numbers 28-7610021 and up, and PA-28R-200 with serial numbers 28R-7635018 and up.			

When ordering, always specify Part Number, Description, and Serial Number of Aircraft

PIPER PARTS CATALOG

Figure and Index Number	Part Number	Code	NOMENCLATURE	No. Req.	SERIAL NUMBERS AFFECTED
23A-26	67385-000	B	RETAINER - Center window, top, left	1	
	76265-000	C	RETAINER - Center window, top, left	1	
	67385-001	B	RETAINER - Center window, top, right	1	
	76266-000	C	RETAINER - Center window, top, right	1	
-27	67375-000	B	RETAINER - Rear window, front, left	1	
	76270-000	C	RETAINER - Rear window, front, left	1	
	67375-001	B	RETAINER - Rear window, front, right	1	
-28	76270-001	C	RETAINER - Rear window, front, right	1	
	67372-000	B	RETAINER - Rear window, rear, left	1	
	76272-000	C	RETAINER - Rear window, rear, left	1	
-29	67372-001	B	RETAINER - Rear window, rear, right	1	
	76272-001	C	RETAINER - Rear window, rear, right	1	
	76195-000	B	RETAINER - Rear window, bottom, left	1	
-30	76273-000	C	RETAINER - Rear window, bottom, left	1	
	76196-000	B	RETAINER - Rear window, bottom, right	1	
	76274-000	C	RETAINER - Rear window, bottom, right	1	
-31	67376-000	B	RETAINER - Rear window, top	2	
	76271-000	C	RETAINER - Rear window, top	2	
-32	99943-000		RETAINER - Side panel	9	
-33	99903-003	B	COVER - Window frame, front, left	1	
	79171-012	E	COVER - Window frame, front, left	1	
	79171-014	D	COVER - Window frame, front, left	1	
-34	99904-005	B	COVER - Window frame, center, left	1	
	79171-011	C	COVER - Window frame, center, left	1	
-35	99904-002	B	COVER - Window frame, rear, left	1	
	79171-010	C	COVER - Window frame, rear, left	1	
-36	99904-003	B	COVER - Window frame, center, right	1	
	79171-008	C	COVER - Window frame, center, right	1	
-37	99904-004	B	COVER - Window frame, rear, right	1	
	79171-009	C	COVER - Window frame, rear, right	1	
	99903-005	B	COVER - Windshield bow, lower, right	1	
	79171-002	E	COVER - Windshield bow, lower, right	1	
	79171-013	D	COVER - Windshield bow, lower, right	1	
			<p>A - Used on PA-28-180 with serial numbers 28-7305001 and up, PA-28-235 with serial numbers 28-7310001 and up, and PA-28R-200 with serial numbers 28R-7335001 and up.</p> <p>B - Used on PA-28-180 with serial numbers 28-7305001 to 28-7305611 inclusive, PA-28-235 with serial numbers 28-7310001 to 28-7310187 inclusive, and PA-28R-200 with serial numbers 28R-7335001 to 28R-7335455 inclusive.</p> <p>C - Used on PA-28-180 with serial numbers 28-7405001 and up, PA-28-235 with serial numbers 28-7410001 and up, and PA-28R-200 with serial numbers 28R-7435001 and up.</p> <p>D - Used on PA-28-235 with serial numbers 28-7610021 and up, and PA-28R-200 with serial numbers 28R-7635018 and up.</p> <p>E - Used on PA-28-180 with serial numbers 28-7405001 to 28-7505261 inclusive, PA-28-235 with serial numbers 28-7410001 to 28-7610020 inclusive, and PA-28R-200 with serial numbers 28-7435001 to 28R-7635017 inclusive.</p>		

When ordering, always specify Part Number, Description, and Serial Number of Aircraft

PIPER PARTS CATALOG

Figure and Index Number	Part Number	Code	NOMENCLATURE	No. Req.	SERIAL NUMBERS AFFECTED	
23A-38	63149-016	E	COVER - Windshield bow, upper, left	1		
	63149-020	D	COVER - Windshield bow, upper, left	1		
	63149-017	E	COVER - Windshield bow, upper, right	1		
	63149-021	D	COVER - Windshield bow, upper, right	1		
-39	78057-000		RETAINER - Window frame, extrusion	12'		
-40	99997-000		EXTRUSION - Vinyl	30'		
-41	99990-000	B	CAP - Extrusion end	2		
-42	555-013	B	COVER ASSEMBLY - Window sill, red	1		
	555-014	B	COVER ASSEMBLY - Window sill, blue/green	1		
	555-015	B	COVER ASSEMBLY - Window sill, gold	1		
	555-016	B	COVER ASSEMBLY - Window sill, black	1		
	555-017	B	COVER ASSEMBLY - Window sill, white	1		
	555-018	B	COVER ASSEMBLY - Window sill, green	1		
	555-699	F	COVER ASSEMBLY - Window sill, red	1		
	555-700	F	COVER ASSEMBLY - Window sill, blue/green	1		
	555-701	F	COVER ASSEMBLY - Window sill, gold	1		
	555-702	F	COVER ASSEMBLY - Window sill, black	1		
	555-703	F	COVER ASSEMBLY - Window sill, white	1		
	555-704	F	COVER ASSEMBLY - Window sill, green	1		
	555-986	C	COVER ASSEMBLY - Window sill, white	1		
	-43	419-641		SCREW - (4 x 1/2" L) Type "A" Truss	86	
	-44	415-149		SCREW - (AN526-632R8)	24	
		406-616		NUT - Anchor (NAS686C06K)	24	
			<p>A - Used on PA-28-180 with serial numbers 28-7305001 and up, PA-28-235 with serial numbers 28-7310001 and up, and PA-28R-200 with serial numbers 28R-7335001 and up.</p> <p>B - Used on PA-28-180 with serial numbers 28-7305001 to 28-7305611 inclusive, PA-28-235 with serial numbers 28-7310001 to 28-7310187 inclusive, and PA-28R-200 with serial numbers 28R-7335001 to 28R-7335455 inclusive.</p> <p>C - Used on PA-28-235 with serial numbers 28-7710001 and up, and PA-28R-200 with serial numbers 28R-7635504 and up.</p> <p>D - Used on PA-28-235 with serial numbers 28-7610021 and up, and PA-28R-200 with serial numbers 28R-7635018 and up.</p> <p>E - Used on PA-28-180 with serial numbers 28-7305001 to 28-7505261 inclusive, PA-28-235 with serial numbers 28-7310001 to 28-7610020 inclusive, and PA-28R-200 with serial numbers 28R-7335001 to 28R-7635017 inclusive.</p> <p>F - Used on PA-28-180 with serial numbers 28-7405001 and up, PA-28-235 with serial numbers 28-7410001 to 28-7610206 inclusive, and PA-28R-200 with serial numbers 28R-7435001 to 28R-7635503 inclusive.</p>			

When ordering, always specify Part Number, Description, and Serial Number of Aircraft

PIPER PARTS CATALOG

Figure and Index Number	Part Number	Code	NOMENCLATURE	No. Req.	SERIAL NUMBERS AFFECTED
23A-45	415-450		SCREW - (AN526-832R10)	8	
	415-452	C,D	SCREW - (AN526-832R12)	8	
	406-863		RIVET - (A8K-75)	8	
-46	415-447		SCREW - (AN526-832R7)	1	
	415-449	C,D	SCREW - (AN526-832R8)	1	
-47	415-149		SCREW - (AN526-632R8)	2	
-48	419-746		SCREW - (4 x 1/2" L) Type "A"	4	
	494-001		WASHER	4	
-49	581-928		PLUG - (207-200201-00-0103)	11	
-50	67556-002	B	TRIM - Windshield, white	1	
	67556-004	E	TRIM - Windshield, white	1	
-51	78086-000		RETAINER - Side panel	2	
<p>A - Used on PA-28-180 with serial numbers 28-7305001 and up, PA-28-235 with serial numbers 28-7310001 and up, and PA-28R-200 with serial numbers 28R-7335001 and up.</p> <p>B - Used on PA-28-180 with serial numbers 28-7305001 to 28-7505261 inclusive, PA-28-235 with serial numbers 28-7310001 to 28-7610020 inclusive, and PA-28R-200 with serial numbers 28R-7335001 to 28R-7635017 inclusive.</p> <p>C - Used on PA-28-180 with serial numbers 28-7405001 and up, PA-28-235 with serial numbers 28-7410001 and up, and PA-28R-200 with serial numbers 28R-7435001 and up.</p> <p>D - Used if .250 thick sound reduction windshield is installed.</p> <p>E - Used on PA-28-235 with serial numbers 28-7610021 and up, and PA-28R-200 with serial numbers 28R-7635018 and up.</p>					

When ordering, always specify Part Number, Description, and Serial Number of Aircraft

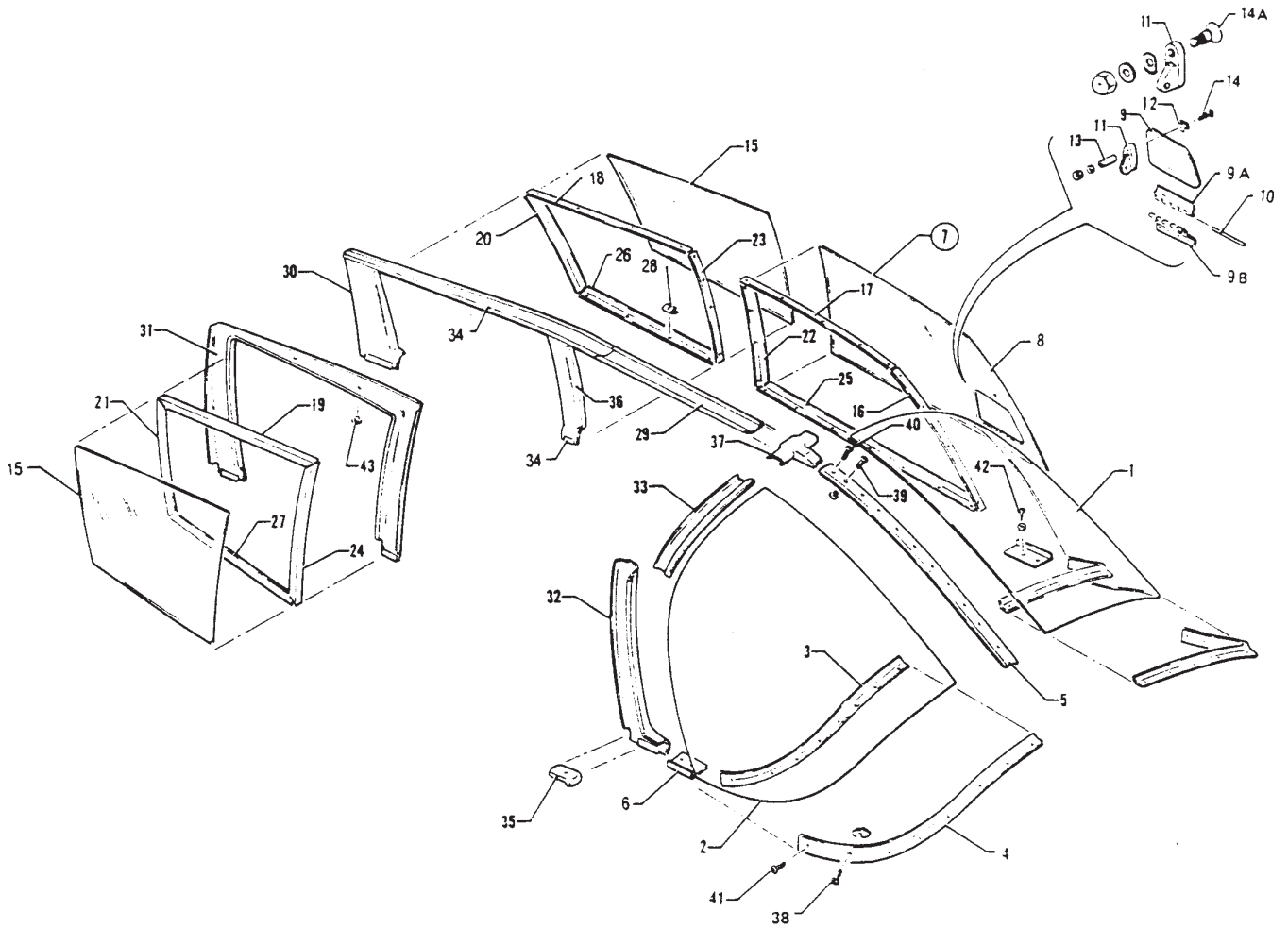


Figure 23B. Fuselage Enclosure Installation
 (PA-28-140 - Serial Nos. 28-7325001 and up)

THIS PAGE INTENTIONALLY LEFT BLANK

PIPER PARTS CATALOG

Figure and Index Number	Part Number	Code	NOMENCLATURE	No. Req.	SERIAL NUMBERS AFFECTED
23B-	63070 99880 76362		DRAWING - Windshield Installation DRAWING - Window Installation DRAWING - Window Installation		28-7325001 to 28-7325684 incl. 28-7425001 and up
-1	63070-016 63070-046 79296-016 63070-030 63070-042 79296-018	A A A A A	WINDSHIELD - Left (.125 thick) WINDSHIELD - Left (.125 thick) WINDSHIELD - Left (.250 thick) WINDSHIELD - Left (.125 thick) WINDSHIELD - Left (.125 thick) WINDSHIELD - Left (.250 thick)	1 1 1 1 1 1	28-7325001 to 28-7325684 incl. 28-7425001 and up 28-7425001 and up 28-7325001 to 28-7325684 incl. 28-7425001 and up 28-7425001 and up
-2	63070-015 63070-045 79296-017 63070-029 63070-041 79296-019	A A A A A	WINDSHIELD - Right (.125 thick) WINDSHIELD - Right (.125 thick) WINDSHIELD - Right (.250 thick) WINDSHIELD - Right (.125 thick) WINDSHIELD - Right (.125 thick) WINDSHIELD - Right (.250 thick)	1 1 1 1 1 1	28-7325001 to 28-7325684 incl. 28-7425001 and up 28-7425001 and up 28-7325001 to 28-7325684 incl. 28-7425001 and up 28-7425001 and up
-3	63070-004 63070-043 63070-006 63070-044		COLLAR - Inside, left COLLAR - Inside, left COLLAR - Inside, right COLLAR - Inside, right	1 1 1 1	28-7325001 to 28-7325684 incl. 28-7425001 and up 28-7325001 to 28-7325684 incl. 28-7425001 and up
-4	63070-011 79296-020 63070-005 79296-021		COLLAR - Outside, left (with .125 thick windshield) COLLAR - Outside, left (with .250 thick windshield) COLLAR - Outside, right (with .125 thick windshield) COLLAR - Outside, right (with .250 thick windshield)	1 1 1 1	28-7325001 and up 28-7425001 and up 28-7325001 and up 28-7425001 and up
-5	63070-007 79557-000		TRIM STRIP - Windshield, center TRIM STRIP - Windshield, center	1 1	28-7325001 to 28-7625030 incl. 28-7625031 and up
-6	79154-000 79155-000		RETAINER - Windshield attachment, left RETAINER - Windshield attachment, right	1 1	
-7	65826-000 65826-003	A	WINDOW ASSEMBLY - Front, left WINDOW ASSEMBLY - Front, left	1 1	
-8	65798-000 65798-002	A	* WINDOW - Front, left * WINDOW - Front, left	1 1	
-9	65896-000 65896-002	A	* WINDOW ASSEMBLY - Storm * WINDOW ASSEMBLY - Storm	1 1	
-9a	65895-000		* HINGE - Half	1	
-9b	65782-000		* HINGE - Half	1	
-10	63744-009		* PIN - Storm window hinge	1	
-11	65742-000		* LATCH ASSEMBLY - Storm	1	
-12	65741-000	B	* SPACER - Storm window latch	1	
-13	65003-010	B	* BUSHING - Storm window latch	1	
-14	415-497 408-826 407-041 477-696	B B B B	* SCREW - (MS35206-232) * WASHER - Shakeproof (3502-10-71) * WASHER - (MS35338-41) * NUT - Dome (8061-NP)	1 1 1 1	
-14a	79572-000 408-826 407-041 477-696	C C C C	* SCREW - Storm window attachment * WASHER - Shakeproof (3502-10-71) * WASHER - (MS35338-41) * NUT - Dome (8061-NP)	1 1 1 1	

A - Used if gray tinted windows are installed.
B - Used if latch assembly attachment screw requires a .191 hole drilled in window assembly.
C - Used if latch assembly attachment screw is bonded to window assembly.

When ordering, always specify Part Number, Description, and Serial Number of Aircraft

PIPER PARTS CATALOG

Figure and Index Number	Part Number	Code	NOMENCLATURE	No. Req.	SERIAL NUMBERS AFFECTED	
23B-15	63073-000		WINDOW - Rear	2	28-7325001 to 28-7325684 incl.	
	79143-000		WINDOW - Rear, left (.080 thick)	1	28-7425001 and up	
	79143-003		WINDOW - Rear, left (.125 thick)	1	28-7425001 and up	
	79144-000		WINDOW - Rear, right (.080 thick)	1	28-7425001 and up	
	79144-003		WINDOW - Rear, right (.125 thick)	1	28-7425001 and up	
	63073-002	A	WINDOW - Rear	2	28-7325001 to 28-7325684 incl.	
	79143-002	A	WINDOW - Rear, left (.080 thick)	1	28-7425001 and up	
	79143-004	A	WINDOW - Rear, left (.125 thick)	1	28-7425001 and up	
	79144-002	A	WINDOW - Rear, right (.080 thick)	1	28-7425001 and up	
	79144-004	A	WINDOW - Rear, right (.125 thick)	1	28-7425001 and up	
	-16	63071-002		RETAINER - Front window, front, left	1	28-7325001 to 28-7625030 incl.
		79562-000		RETAINER - Front window, front, left	1	28-7625031 and up
	-17	63071-003		RETAINER - Front window, top, left	1	
	-18	63071-004		RETAINER - Rear window, top, left	1	28-7325001 to 28-7325684 incl.
	79138-000		RETAINER - Rear window, top, left	1	28-7425001 and up	
-19	63071-005		RETAINER - Rear window, top, right	1	28-7325001 to 28-7325684 incl.	
	79139-000		RETAINER - Rear window, top, right	1	28-7425001 and up	
-20	63071-006		RETAINER - Rear window, rear, left	1	28-7325001 to 28-7325684 incl.	
	79140-000		RETAINER - Rear window, rear, left	1	28-7425001 and up	
-21	63071-007		RETAINER - Rear window, rear, right	1	28-7325001 to 28-7325684 incl.	
	79140-001		RETAINER - Rear window, rear, right	1	28-7425001 and up	
-22	63071-012		RETAINER - Front window, rear, left	1		
-23	63071-017		RETAINER - Rear window, front, left	1	28-7325001 to 28-7325684 incl.	
	79137-000		RETAINER - Rear window, front, left	1	28-7425001 and up	
-24	63071-018		RETAINER - Rear window, front, right	1		
-25	99879-000		RETAINER - Front window, bottom, left	1		
-26	99878-000		RETAINER - Rear window, bottom, left	1	28-7325001 to 28-7325684 incl.	
	79141-000		RETAINER - Rear window, bottom, left	1	28-7425001 and up	
-27	99878-001		RETAINER - Rear window, bottom, right	1	28-7325001 to 28-7325684 incl.	
	79142-000		RETAINER - Rear window, bottom, right	1	28-7425001 and up	
-28	99943-000		RETAINER - Side panel	6		
-29	99903-003		COVER - Window frame, front, left	1	28-7325001 to 28-7325684 incl.	
	79172-007		COVER - Window frame, front, left	1	28-7425001 to 28-7625030 incl.	
	79172-008		COVER - Window frame, front, left	1	28-7625031 and up	
-30	99903-002		COVER - Window frame, rear, left	1	28-7325001 to 28-7325684 incl.	
	79172-004		COVER - Window frame, rear, left	1	28-7425001 and up	
-31	99903-004		COVER - Window frame, rear, right	1	28-7325001 to 28-7325684 incl.	
	79172-005		COVER - Window frame, rear, right	1	28-7425001 and up	
-32	99903-005		COVER - Windshield bow, lower, right	1	28-7325001 to 28-7325684 incl.	
	79171-002		COVER - Windshield bow, lower, right	1	28-7425001 to 28-7625030 incl.	
	79171-013		COVER - Windshield bow, lower, right	1	28-7625031 and up	
-33	63149-016		COVER - Windshield bow, upper, left	1	28-7325001 to 28-7625030 incl.	
	63149-020		COVER - Windshield bow, upper, left	1	28-7625031 and up	
	63149-017		COVER - Windshield bow, upper, right	1	28-7325001 to 28-7625030 incl.	
	63149-021		COVER - Windshield bow, upper, right	1	28-7625031 and up	
-34	78057-000		RETAINER - Window frame, extrusion	12		
-35	99990-000		CAP - Extrusion end	2	28-7325001 to 28-7325684 incl.	
-36	99997-000		EXTRUSION - Vinyl	19		
-37	67556-002		TRIM - Windshield, white	1	28-7325001 to 28-7625030 incl.	
	67556-004		TRIM - Windshield, white	1	28-7625031 and up	

A - Used if gray tinted windows are installed.

When ordering, always specify Part Number, Description, and Serial Number of Aircraft

PIPER PARTS CATALOG

Figure and Index Number	Part Number	Code	NOMENCLATURE	No. Req.	SERIAL NUMBERS AFFECTED
23B-38	415-495		SCREW - (MS35206-230)	24	
	406-616		ANCHOR NUT - (NAS686C06K)	24	
-39	415-536		SCREW - (MS35206-246)	8	
	415-537	A	SCREW - (MS35206-247)	8	28-7425001 and up
	406-863		RIVNUT - (A8K-75)	8	
-40	415-544		SCREW - (MS35206-244)	1	
	415-535	A	SCREW - (MS35206-245)	1	28-7425001 and up
-41	415-495		SCREW - (MS35206-230)	2	
-42	419-746		SCREW - (4 x 1/2" L) Type "A"	4	
	494-001		WASHER	4	
-43	581-928		PLUG - (207-200201-00-0103)	9	
			A - Used if .250 thick sound reduction windshield is installed.		

When ordering, always specify Part Number, Description, and Serial Number of Aircraft

THIS PAGE INTENTIONALLY LEFT BLANK

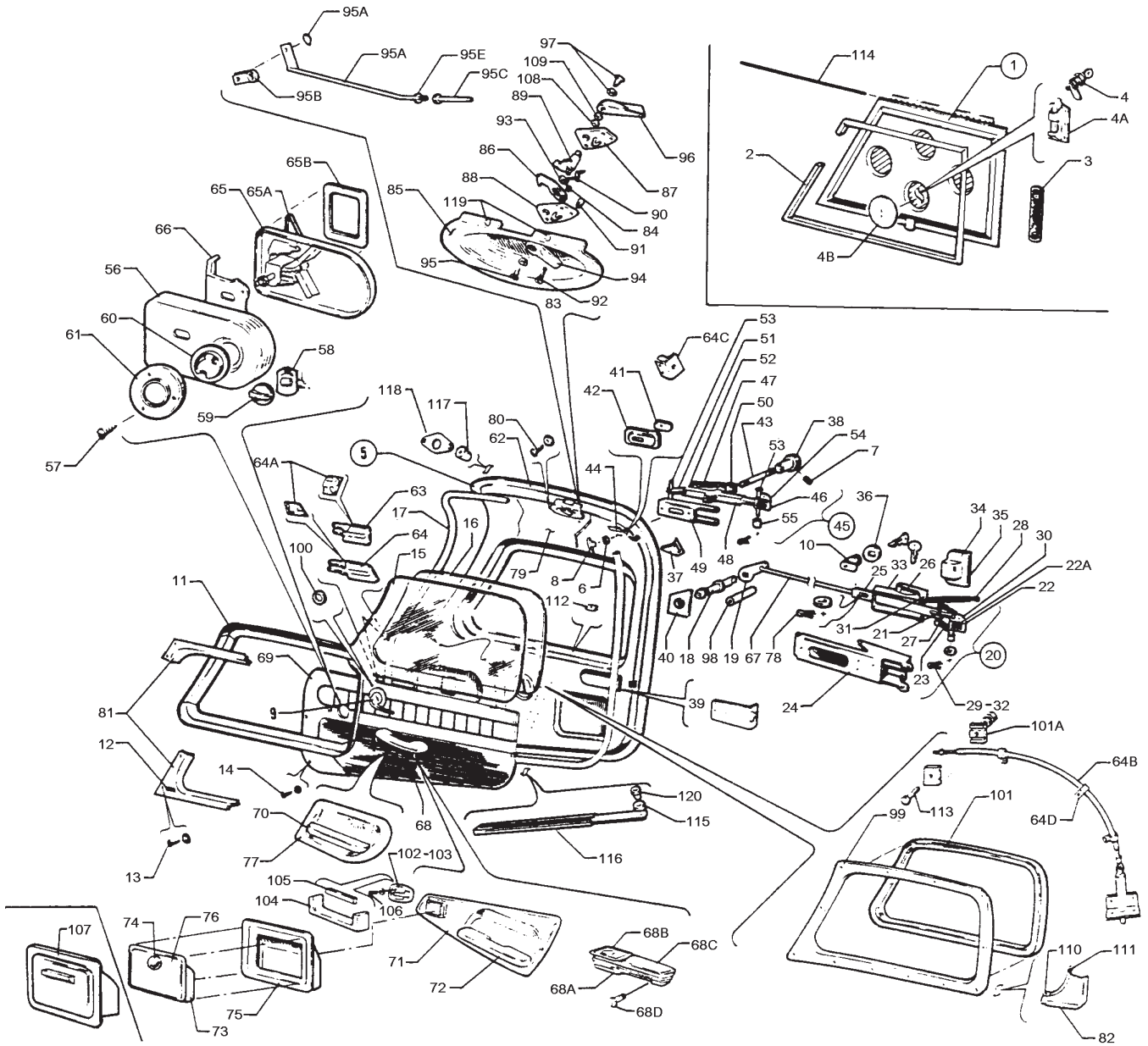


Figure 24. Cabin and Baggage Door Installation
 (See Code "A" on next page for airplane effectivity)

THIS PAGE INTENTIONALLY LEFT BLANK

PIPER PARTS CATALOG

Figure and Index Number	Part Number	Code	NOMENCLATURE	No. Req.	SERIAL NUMBERS AFFECTED
24 -1 -2 -3	62657-000	B,C	DOOR ASSEMBLY - Baggage compartment	1	
	66793-000	D	DOOR ASSEMBLY - Baggage compartment	1	
	66793-010	E	DOOR ASSEMBLY - Baggage compartment	1	
	19063-002		* MOULDING - Baggage door (quarter-round type)	9*	
	78741-002		* MOULDING - Baggage door (bulb type) 12.5' long	1	
	65440-801		* STRAP ASSEMBLY - Baggage door, white (11" long)	1	
	65440-007		* STRAP ASSEMBLY - Baggage door, white (11.75" long)	1	
	<p>A - Used on PA-28-140 with serial numbers 28-20002 to 28-7625030 inclusive, PA-28-150, PA-28-160 and PA-28-180 with serial numbers 28-1 to 28-7505261 inclusive, PA-28-235 with serial numbers 28-10003 to 28-7610020 inclusive, PA-28R-180 and PA-28R-200 with serial numbers 28R-30482, 28R-35001 to 28R-7635017 inclusive.</p>				
	<p>B - Used on PA-28-150, PA-28-160 and PA-28-180 with serial numbers 28-1 to 28-5313 inclusive, PA-28R-180 with serial numbers 28R-30005 to 28R-30481 inclusive, 28R-30483 to 28R-31092 inclusive, and PA-28-235 with serial numbers 28-10003 to 28-11227 inclusive.</p>				
	<p>C - Not available Baggage door, P/N 66793-10, will be supplied as a replacement.</p>				
<p>D - Used on PA-28-180 with serial numbers 28-5314 to 28-5600 inclusive, PA-28R-180 with serial numbers 28R-31093 to 28R-31250 inclusive, PA-28R-200 with serial numbers 28R-30482, 28R-35001 to 28R-35600 inclusive, and PA-28-235 with serial numbers 28-11228 to 28-11300 inclusive.</p>					
<p>E - Used on PA-28-180 with serial numbers 28-5601 and up, PA-28R-180 with serial numbers 28R-31251 and up, PA-28R-200 with serial numbers 28R-35601 and up, and PA-28-235 with serial numbers 28-11301 and up.</p>					

When ordering, always specify Part Number, Description, and Serial Number of Aircraft

PIPER PARTS CATALOG

Figure and Index Number	Part Number	Code	NOMENCLATURE	No. Req.	SERIAL NUMBERS AFFECTED
24 -4 -4a -4b	760-455	D,G,H	KIT - Baggage door lock replacement (with Lock) (for door without push button latch)	1	
	760-456	B,C,D,G	KIT - Baggage door lock conversion (less lock) (tor door without push button latch)	1	
	66844-000	E,F	LOCK ASSEMBLY - Baggage door (for door with push button latch)	1	
	472-010	E	LATCH - Push button (H38-.064-.460)	1	
	12761-002 79452-000		COVER ASSEMBLY - Lock access (4.75 dia.) COVER - Lock access (5.75 dia.)	1 1	
<p>A - Used on PA-28-140 with serial numbers 28-20002 to 28-7625030 inclusive, PA-28-150, PA-28-160 and PA-28-180 with serial numbers 28-1 to 28-7505261 inclusive, PA-28-235 with serial numbers 28-10003 to 28-7610020 inclusive, PA-28R-180 and PA-28R-200 with serial numbers 28R-30482, 28R-35001 to 28R-7635017 inclusive.</p> <p>B - If Baggage Door Lock Kit with lock is desired, order Baggage Door Lock Kit 760 4550.</p> <p>C - Used on PA-28-150, PA-28-160 and PA-28-180 with serial numbers 28-1715 to 28-5313 inclusive, PA-28-235 with serial numbers 28-10487 to 28-11227 inclusive, and PA-28R-180 with serial numbers 28R-30005 to 28R-30481 inclusive, 28R-30483 to 28R-31092 inclusive.</p> <p>D - If existing lock striker plate measures 3-1/8" x 3/4" order Lock Assembly, P/N 62937-007 only.</p> <p>E - Used on PA-28-180 with serial numbers 28-5314 and up, PA-28R-180 with serial numbers 28R-31092 and up, PA-28R-200 with serial numbers 28R-30482, 28R-35001 and up, and PA-28-235 with serial numbers 28-11228 and up.</p> <p>F - If matching ignition switch, cabin door lock and baggage door lock are desired- order Kit 470 728.</p> <p>G - Order Lock Assembly, P/N 66844-00, if baggage door incorporates a push button latch.</p> <p>H - Used on PA-28-150, PA-28-160 and PA-28-180 with serial numbers 28-1 to 28-5313 inclusive, and PA-28-235 with serial numbers 28-10033 to 28-11227 inclusive.</p>					

When ordering, always specify Part Number, Description, and Serial Number of Aircraft

PIPER PARTS CATALOG

Figure and Index Number	Part Number	Code	NOMENCLATURE	No. Req.	SERIAL NUMBERS AFFECTED
24 -5	63006-000	C	DOOR ASSEMBLY - Complete	1	28-1 to 28-130 inclusive
	63006-009	C	DOOR ASSEMBLY - Complete	1	28-131 to 28-670 inclusive
	63006-010	C	DOOR ASSEMBLY - Complete	1	28-671 to 28-990 inclusive
	63055-000	C,D	DOOR ASSEMBLY - Complete	1	28-991 to 28-1760 inclusive
	65307-000	C,E	DOOR ASSEMBLY - Complete	1	28-10003 to 28-10675 inclusive
	63055-003	C,G	DOOR ASSEMBLY - Complete	1	28-20002 to 28-21467 inclusive
	65307-000	C,D	DOOR ASSEMBLY - Complete	1	28-1761 to 28-2477 inclusive
	65481-000	C,D	DOOR ASSEMBLY - Complete	1	28-2478 to 28-4377 inclusive
	65481-000	C,E	DOOR ASSEMBLY - Complete	1	28-10676 to 28-10719 inclusive
	63055-004	C,G	DOOR ASSEMBLY - Complete	1	28-21468 to 28-24999 inclusive
	66657-000	C,G	DOOR ASSEMBLY - Complete	1	28-25000 to 28-26400 inclusive
	65631-000	C,E	DOOR ASSEMBLY - Complete	1	28-10720 to 28-11039 inclusive
	65631-006	C,E	DOOR ASSEMBLY - Complete	1	28-11040 to 28-11185 inclusive
	66655-000	C,E	DOOR ASSEMBLY - Complete	1	28-11186 to 28-11300 inclusive
	67306-000	B,C	DOOR ASSEMBLY - Complete	1	
	66656-002	C,H	DOOR ASSEMBLY - Complete	1	
	66656-000	C,F	DOOR ASSEMBLY - Complete	1	28-5428 to 28-5600 inclusive
	66848-000	C,F	DOOR ASSEMBLY - Complete	1	28-5601 to 28-7105244 incl.
	66848-005	C,F	DOOR ASSEMBLY - Complete	1	28-7205001 to 28-7205238 incl.
	78082-002	C,F	DOOR ASSEMBLY - Complete	1	28-7305001 to 28-7305611 incl.
	79209-002	C,F	DOOR ASSEMBLY - Complete	1	28-7405001 and up
	66657-002	C,G	DOOR ASSEMBLY - Complete	1	28-26401 to 28-7125194 incl.
	66848-002	C,J	DOOR ASSEMBLY - Complete	1	
	66849-000	C E	DOOR ASSEMBLY - Complete	1	28-11301 to 28-7110042 incl.
	66849-003	C E	DOOR ASSEMBLY - Complete	1	28-7210001 to 28-7210033 incl.
	78082-002	C,E	DOOR ASSEMBLY - Complete	1	28-7310001 to 28-7310187 incl.
	79209-002	C,E	DOOR ASSEMBLY - Complete	1	28-7410001 and up
	66657-003	C,G	DOOR ASSEMBLY - Complete	1	28-7125195 to 28-7225612 incl.
	78082-000	C,G	DOOR ASSEMBLY - Complete	1	28-7325001 to 28-7325684 incl.
	79209-000	C,G	DOOR ASSEMBLY - Complete	1	28-7425001 and up
	76150-000	C K	DOOR ASSEMBLY - Complete	1	28R-7235001 to 28R-7235330 incl.
	78082-006	C K	DOOR ASSEMBLY - Complete	1	28R-7335001 to 28R-7335455 incl.
	79209-003	C,K	DOOR ASSEMBLY - Complete	1	28R-7435001 and up
			A - Used on PA-28-140 with serial numbers 28-20002 to 28-7625030 inclusive, PA-28-150, PA-28-160 and PA-28-180 with serial numbers 28-1 to 28-7505261 inclusive, PA-28-235 with serial numbers 28-10003 to 28-7610020 inclusive, PA-28R-180 and PA-28R-200 with serial numbers 28R-30482, 28R-35001 to 28R-7635017 inclusive.		
			B - Used on PA-28-180 with serial numbers 28-4378 to 28-5427 inclusive, and PA-28R-180 with serial numbers 28R-30005 to 28R-30481 inclusive, 28R-30483 to 28R-31250 inclusive.		
			C - Complete door assembly not available, order component parts.		
			D - Used on PA-28-150, PA-28-160 and PA-28-180 airplanes only.		
			E - Used on PA-28-235 airplanes only.		
			F - Used on PA-28-180 airplanes only.		
			G - Used on PA-28-140 airplanes only.		
			H - Used on PA-28R-200 with serial numbers 28R-30482, 28R-35001 to 28R-35600 inclusive.		
			J - Used on PA-28R-180 with serial numbers 28R-31251 to 28R-7130019 inclusive, and PA-28R-200 with serial numbers 28R-35601 to 28R-7135238 inclusive.		
			K - Used on PA-28R-200 airplanes only.		

When ordering, always specify Part Number, Description, and Serial Number of Aircraft

PIPER PARTS CATALOG

Figure and Index Number	Part Number	Code	NOMENCLATURE	No. Req.	SERIAL NUMBERS AFFECTED
24 -6	404-224	D	NUT - (AN315-3R)	1	
-7	419-973	D	SET SCREW - Socket (8-32 x 9/32 L)	1	
-8	471-080	D	KNOB - Tee (KN78A)	1	
-9	464-022	B	HANDLE ASSEMBLY - Door (80A-1)	1	
	464-031	C	HANDLE ASSEMBLY - Door (1H287)	1	
	464-046	E	HANDLE ASSEMBLY - Door (113-837-020)	1	
-10	752-301	F	LOCK ASSEMBLY - Cabin door	1	
-11	63006-007	G	ANGLE - Door trim	1	
	76158-002	H	ANGLE - Door trim, forward	1	
	76158-000	H	ANGLE - Door trim, upper center	1	
	76159-000	H	ANGLE - Door trim, lower center	1	
	76158-003	H	ANGLE - Door trim, rear	1	
			<p>A - Used on PA-28-140 with serial numbers 28-20002 to 28-7625030 inclusive, PA-28-150, PA-28-160 and PA-28-180 with serial numbers 28-1 to 28-7505261 inclusive, PA-28-235 with serial numbers 28-10003 to 28-7610020 inclusive, PA-28R-180 and PA-28R-200 with serial numbers 28R-30482, 28R-35001 to 28R-7635017 inclusive.</p> <p>B - Used on PA-28-150, PA-28-160 and PA-28-180 with serial numbers 28-1 to 28-4150 inclusive, PA-28-235 with serial numbers 28-10003 to 28-10719 inclusive, and PA-28-140 with serial numbers 28-20002 to 28-24999 inclusive.</p> <p>C - Used on PA-28-150, PA-28-160 and PA-28-180 with serial numbers 284151 to 28-5427 inclusive, PA-28-235 with serial numbers 28-10720 to 28-11185 inclusive, and PA-28R-180 with serial numbers 28R-30005 to 28R-30481 inclusive, 28R-30483 to 28R-31250 inclusive.</p> <p>D - Used on airplanes with serial numbers 28-1 to 28-990 inclusive.</p> <p>E - Used on PA-28-140 with serial numbers 28-25000 and up, PA-28-235 with serial numbers 28-11186 and up, PA-28-180 with serial numbers 28-5428 and up, PA-28R-180 with serial numbers 28R-31251 and up, and PA-28R-200 with serial numbers 28R-30482, 28R-35001 and up.</p> <p>F - If matching cabin door lock, baggage door lock and ignition switch are desired, order Kit 470 728.</p> <p>G - Used on PA-28-140 with serial numbers 28-20002 and up, PA-28-150, PA-28-160 and PA-28-180 with serial numbers 28-1 to 28-7205328 inclusive, PA-28-235 with serial numbers 28-10003 to 28-10719 inclusive, PA-28R-180 with serial numbers 28R-30005 to 28R-7130019 inclusive, and PA-28R-200 with serial numbers 28R-30482, 28R-35001 to 28R-7135238 inclusive.</p> <p>H - Used on PA-28-180 with serial numbers 28-7305001 and up, PA-28-235 with serial numbers 28-7310001 and up, and PA-28R-200 with serial numbers 28R-7235001 and up.</p>		

When ordering, always specify Part Number, Description, and Serial Number of Aircraft

PIPER PARTS CATALOG

Figure and Index Number	Part Number	Code	NOMENCLATURE	No. Req.	SERIAL NUMBERS AFFECTED
24 -12	63026-000	B	PLACARD - Door latch	1	28-333 to 28-1760 inclusive
	63026-000	D	PLACARD - Door latch	1	
	65356-000	G	PLACARD - Door latch	1	
-13	419-692	E	SCREW - Cover, door trim (6 x 1/2 L)	8	
	494-003	E	WASHER - Cover, door trim (6 Finishing)	8	
-14	419-688	E	SCREW - Lower door trim (4 x 1/2 L)	8	
	494-001	E	WASHER - Lower door trim (14 Finishing)	8	
-15	63006-006	C	WINDOW - Cabin door (.080 thick)	1	28-7425001 and up
	79040-000	B	WINDOW - Cabin door (.125 thick)	1	
	76150-004	H	WINDOW - Cabin door (.080 thick)	1	
	76435-000	F	WINDOW - Cabin door (.125 thick)	1	
			<p>A - Used on PA-28-140 with serial numbers 28-20002 to 28-7625030 inclusive, PA-28-150, PA-28-160 and PA-28-180 with serial numbers 28-1 to 28-7505261 inclusive, PA-28-235 with serial numbers 28-10003 to 28-7610020 inclusive, PA-28R-180 and PA-28R-200 with serial numbers 28R-30482, and 28R-35001 to 28R-7635017 inclusive.</p> <p>B - Used on PA-28-140 airplanes only.</p> <p>C - Used on PA-28-140 with serial numbers 28-20002 and up, PA-28-150, PA-28-160 and PA-28-180 with serial numbers 28-1 to 28-7205328 inclusive, PA-28-235 with serial numbers 28-10003 to 28-10719 inclusive, PA-28R-180 with serial numbers 28R-30005 to 28R-7130019 inclusive, and PA-28R-200 with serial numbers 28R-30482, 28R-35001 to 28R-7135238 inclusive.</p> <p>D - Used on PA-28-150, PA-28-160 and PA-28-180 airplanes only.</p> <p>E - Used on PA-28-140 with serial numbers 28-20002 to 28-7225612 inclusive, PA-28-150, PA-28-160 and PA-28-180 with serial numbers 28-1 to 28-7205328 inclusive, PA-28-235 with serial numbers 28-10003 to 28-7210033 inclusive, PA-28R-180 with serial numbers 28R-30005 to 28R-7130019 inclusive, and PA-28R-200 with serial numbers 28R-30482 and 28R-35001 to 28R-7235330 inclusive.</p> <p>F - Used on PA-28-180 with serial numbers 28-7405001 and up, PA-28-235 with serial numbers 28-7410001 and up, and PA-28R-200 with serial numbers 28R-7435001 and up.</p> <p>G - Used on PA-28-150, PA-28-160 and PA-28-180 with serial numbers 28-1716 to 28-4377 inclusive, and PA-28-235 with serial numbers 28-10003 to 28-10675 inclusive.</p> <p>H - Used on PA-28-180 with serial numbers 28-7305001 and up, PA-28-235 with serial numbers 28-7310001 and up, and PA-28R-200 with serial numbers 28R-7235001 and up.</p>		

When ordering, always specify Part Number, Description, and Serial Number of Aircraft

PIPER PARTS CATALOG

Figure and Index Number	Part Number	Code	NOMENCLATURE	No. Req.	SERIAL NUMBERS AFFECTED
24 -15	66848-004	D,H	WINDOW - Cabin door (.080 thick)	1	28-7425001 and up
	79040-002	C,D	WINDOW - Cabin door (.125 thick)	1	
	76150-002	D,G	WINDOW - Cabin door (.080 thick)	1	
	76435-002	D,F	WINDOW - Cabin door (.125 thick)	1	
	65631-004	E	WINDOW - Cabin door (.060 thick)	1	28-10720 to 28-7210033 incl.
-16	65631-005	E	WINDOW - Cabin door, outer	1	28-10720 to 28-7210033 incl.
	66849-002	D,E	WINDOW - Cabin door, outer	1	28-7110001 to 28-7210033 incl.
-17	19063-002		MOULDING - Cabin door (quarter-round type)	12.5'	
	78741-002		MOULDING - Cabin door (bulb type) 12.5' long	1	
-18	20743-000	B	SHAFT - Door handle	1	
-19	20747-000	B	LINK - Door latch	1	
-20	68188-000		LATCH ASSEMBLY - Door	1	
-21	14627-003		* PIN - Door latch	1	
-22	69224-000		* TONGUE ASSEMBLY - Door latch	1	
-22A	681-145		* ROLL PIN - (MS16562-34)	1	
-23	14635-002		* SPRING	2	
-24	79434-000		* HOUSING ASSEMBLY - Door latch	1	
-25	66654-000		* PLATE ASSEMBLY	1	
-26	79594-000		* PLATE	1	
-27	81262-068		* LINK	1	
-28	83302-043		* SPRING	1	
<p>A - Used on PA-28-140 with serial numbers 28-20002 to 28-7625030 inclusive, PA-28-150, PA-28-160 and PA-28-180 with serial numbers 28-1 to 28-7505261 inclusive, PA-28-235 with serial numbers 28-10003 to 28-7610020 inclusive, PA-28R-180 and PA-28R-200 with serial numbers 28R-30482, 28R-35001 to 28R-7635017 inclusive.</p> <p>B - Used on PA-28-140 with serial numbers 28-20002 to 28-24999 inclusive, PA-28-235 with serial numbers 28-10003 to 28-11185 inclusive, PA-28-150, PA-28-160 and PA-28-180 with serial numbers 28-1 to 28-5427 inclusive, and PA-28R-180 with serial numbers 28R-30005 to 28R-31250 inclusive.</p> <p>C - Used on PA-28-140 airplanes only.</p> <p>D - Used if gray tinted window is installed.</p> <p>E - Used on PA-28-235 airplanes only.</p> <p>F - Used on PA-28-180 with serial numbers 28-7405001 and up, PA-28-235 with serial numbers 28-7410001 and up, and PA-28R-200 with serial numbers 28R-7435001 and up.</p> <p>G - Used on PA-28-180 with serial numbers 28-7305001 and up, PA-28-235 with serial numbers 28-7310001 and up, and PA-28R-200 with serial numbers 28R-7235001 and up.</p> <p>H - Used on PA-28-140 with serial numbers 28-7125001 and up, PA-28-180 with serial numbers 28-7105001 to 28-7205328 inclusive, PA-28R-180 with serial numbers 28R-7130001 to 28R-7130019 inclusive, and PA-28R-200 with serial numbers 28R-7135001 to 28R-7135238 inclusive.</p>					

When ordering, always specify Part Number, Description, and Serial Number of Aircraft

PIPER PARTS CATALOG

Figure and Index Number	Part Number	Code	NOMENCLATURE	No. Req.	SERIAL NUMBERS AFFECTED
24 -29	424-051		* COTTER PIN - (AN380-2-2)	1	
	424-163		* PIN - (AN392-53)	1	
	690-640		* WASHER - (NAS1149FN632P)	1	
-30	480-694		* ROLL PIN - (59-028-125-05625)	1	
-31	424-162		* PIN - (AN392-49)	1	
-32	424-051		* COTTER PIN - (AN380-2-2)	1	
	690-640		* WASHER - (NAS1149FN632P)	1	
	14843-090		* BUSHING	1	
-33	66641-000		* PLATE - Door latch stop	1	
-34	21843 000		* PLATE - Seal support	1	
-35	21844-000		* SEAL	1	
-36	21176-000		SPACER - Door lock	2	
-37	21208-000	C	PLATE - Door latch trim	1	
-38	21209-000	C	KNOB - Door latch release	1	
-39	63012-000		PLATE - Door latch trim	1	
-40	65567-000	B	PLATE ASSEMBLY	1	
-41	21474-000	C	SEAL ASSEMBLY	2	
-42	21475 000	C	PLATE - Door lock	2	
-43	21476-002	C	STUD - Door latch	1	
-44	21785-002	D	PLACARD - Door lock, gray	1	28-20002 to 28-21467 inclusive
	21785-002	E	PLACARD - Door lock, gray	1	28-1 to 28-1760 inclusive
	21785-003	D	PLACARD - Door lock, dark brown	1	28-20002 to 28-21467 inclusive
	21785-003	E	PLACARD - Door lock, dark brown	1	28-1 to 28-1760 inclusive
<p>A - Used on PA-28-140 with serial numbers 28-20002 to 28-7625030 inclusive, PA-28-150, PA-28-160 and PA-28-180 With serial numbers 28-1 to 28-7505261 inclusive, PA-28-235 with serial numbers 28-10003 to 28-7610020 inclusive, PA-28R-180 and PA-28R-200 with serial numbers 28R-30482, 28R-35001 to 28R-7635017 inclusive.</p> <p>B - Used on PA-28-140 with serial numbers 28-20002 to 28-24999 inclusive, PA-28-235 with serial numbers 28-10003 to 28-11185 inclusive, PA-28-150, PA-28-160 and PA-28-180 with serial numbers 28-1 to 28-5427 inclusive, and PA-28R-180 with serial numbers 28R-30005 to 28R-31250 inclusive.</p> <p>C - Used on airplanes with serial numbers 28-1 to 28-990 inclusive.</p> <p>D - Used on PA-28-140 airplanes only.</p> <p>E - Used on PA-28-150, PA-28-160 and PA-28-180 airplanes only.</p>					

When ordering, always specify Part Number, Description, and Serial Number of Aircraft

PIPER PARTS CATALOG

Figure and Index Number	Part Number	Code	NOMENCLATURE	No. Req.	SERIAL NUMBERS AFFECTED
24 -44	65347-002	B	PLACARD - Door lock, light brown	1	
	68555-002	F	PLACARD - Door lock, light brown	1	
	68555-005	D	PLACARD - Door lock, white	1	
-45	21881-000	C	LATCH ASSEMBLY - Auxiliary	1	
-46	14634-000	C	* TONGUE ASSEMBLY - Auxiliary latch	1	
-47	14635-003	C	* SPRING	2	
-48	21212-002	C	* LINK - Actuating	1	
-49	21213-000	C	* BRACKET ASSEMBLY	1	
-50	21214-000	C	* SPRING CUP	1	
-51	81262-074	C	* LINK	1	
-52	424-051	C	* COTTER PIN - (AN380-2-2)	1	
	424-141	C	* PIN - (AN380-2-2)	1	
-53	424-155	C	* PIN - (AN392-35)	2	
	424-051	C	* COTTER PIN - (AN380-2-2)	2	
-54	480-694	C	* ROLL PIN - (59-028-125-05625)	1	
-55	82732-075	C	* BUSHING - Door lock latch	1	
-56	21162-000	E	BOX - Ventilator, black	1	
-57	419-746	E	SCREW - (4 x 1/2")	3	
<p>A - Used on PA-28-140 with serial numbers 28-20002 to 28-7625030 inclusive, PA-28-150, PA-28-160 and PA-28-180 with serial numbers 28-1 to 28-7505261 inclusive, PA-28-235 with serial numbers 28-10003 to 28-7610020 inclusive, PA-28R-180 and PA-28R-200 with serial numbers 28R-30482, and 28R-35001 to 28R-7635017 inclusive.</p> <p>B - Used on PA-28-150, PA-28-160 and PA-28-180 with serial numbers 28-1761 to 28-2477 inclusive, and PA-28-235 with serial numbers 28-10153 to 28-10675 inclusive.</p> <p>C - Used on airplanes with serial numbers 28-1 to 28-990 inclusive.</p> <p>D - Used on PA-28-140 with serial numbers 28-7125195 and up, PA-28-180 with serial numbers 28-5601 and up, PA-28-235 with serial numbers 28-11301 and up, PA-28R-180 with serial numbers 28R-31251 and up, and PA-28R-200 with serial numbers 28R-35601 and up.</p> <p>E - Used on PA-28-150, PA-28-160 and PA-28-180 with serial numbers 28-1 to 28-2477 inclusive, PA-28-235 with serial numbers 28-10003 to 28-10675 inclusive, and PA-28-140 with serial numbers 28-20002 to 28-24999 inclusive.</p> <p>F - Used on PA-28-150, PA-28-160 and PA-28-180 with serial numbers 28-2478 to 28-5600 inclusive, and PA-28-140 with serial numbers 28-21468 to 28-7125194 inclusive, PA-28-235 with serial numbers 28-10676 to 28-11300 inclusive, PA-28R-180 with serial numbers 28R-30005 to 28R-31250 inclusive, and PA-28R-200 with serial numbers 28R-30482, and 28R-35001 to 28R-35600 inclusive.</p>					

When ordering, always specify Part Number, Description, and Serial Number of Aircraft

PIPER PARTS CATALOG

Figure and Index Number	Part Number	Code	NOMENCLATURE	No. Req.	SERIAL NUMBERS AFFECTED
24 -58	21257-004	J	PLACARD - Ventilator control knob, gray	1	
	21257-003	J	PLACARD - Ventilator control knob, brown	1	
-59	471-088	J	KNOB - Ventilator box, brown	1	
	471-096	J	KNOB - Ventilator box, gray	1	
	65287-002	G	KNOB - Ventilator box, red	1	28-10003 to 28-10152 inclusive
	65287-003	G	KNOB - Ventilator box, brown	1	28-10003 to 28-10152 inclusive
	65287-004	G	KNOB - Ventilator box, blue	1	28-10003 to 28-10152 inclusive
	65439-002	B,D	KNOB - Ventilator box, red	1	
	65439-003	B,D	KNOB - Ventilator box, brown	1	
	65439-004	B,D	KNOB - Ventilator box, blue	1	
	65439-005	D	KNOB - Ventilator box, gold	1	
	-60	21154-003	H	DEFLECTOR - Ventilator air, brown	1
21154-004		H	DEFLECTOR - Ventilator air, gray	1	28-671 to 28-140 inclusive
63994-000		F	DEFLECTOR - Ventilator air, brown	1	
63994-002		E	DEFLECTOR - Ventilator air, gray	1	
63994-003		G	DEFLECTOR - Ventilator air, red	1	28-10003 to 28-10486 inclusive
63994-004		G	DEFLECTOR - Ventilator air, blue	1	28-10003 to 28-10486 inclusive
63994-005		C,D	DEFLECTOR - Ventilator air, red	1	
63994-006		C,D	DEFLECTOR - Ventilator air, blue	1	
63994-007		C,D	DEFLECTOR - Ventilator air, brown	1	
63994-008		D	DEFLECTOR - Ventilator air, tan	1	
			<p>A - Used on PA-28-140 with serial numbers 28-20002 to 28-7625030 inclusive, PA-28-150, PA-28-160 and PA-28-180 with serial numbers 28-1 to 28-7505261 inclusive, PA-28-235 with serial numbers 28-10003 to 28-7610020 inclusive, PA-28R-180 and PA-28R-200 with serial numbers 28R-30482, and 28R-35001 to 28R-7635017 inclusive.</p> <p>B - Used on PA-28-150, PA-28-160 and PA-28-180 with serial numbers 28-1761 to 28-2477 inclusive, and PA-28-235 with serial numbers 28-10153 to 28-10675 inclusive.</p> <p>C - Used on PA-28-150, PA-28-160 and PA-28-180 with serial numbers 28-1761 to 28-2477 inclusive, and PA-28-235 with serial numbers 28-10487 to 28-1067 inclusive.</p> <p>D - Used on PA-28-140 with serial numbers 28-21468 to 28-24999 inclusive.</p> <p>E - Used on PA-28-150, PA-28-160 and PA-28-180 with serial numbers 28-1411 to 28-1760 inclusive, and PA-28-140 with serial numbers 28-20002 to 28-21487 inclusive.</p> <p>F - Used on PA-28-150, PA-28-160 and PA-28-180 with serial numbers 28-1411 to 28-1760 inclusive, PA-28-235 with serial numbers 28-10003 to 28-10486 inclusive, and PA-28-140 with serial numbers 28-20002 to 28-21467 inclusive.</p> <p>G - Used on PA-28-235 airplanes only.</p> <p>H - Used on PA-28-150, PA-28-160 and PA-28-180 airplanes only.</p> <p>J - Used on PA-28-150, PA-28-160 and PA-28-180 with serial numbers 28-1 to 28-1760 inclusive, and PA-28-140 with serial numbers 28-20002 to 28-21467 inclusive.</p>		

When ordering, always specify Part Number, Description, and Serial Number of Aircraft

PIPER PARTS CATALOG

Figure and Index Number	Part Number	Code	NOMENCLATURE	No. Req.	SERIAL NUMBERS AFFECTED	
24 -61	63152-000		PLATE - Ventilator air deflector	1	28-1 to 28-670 inclusive	
	21156-000	K	PLATE - Ventilator air deflector	1		
-62	63000-028	E	DOOR ASSEMBLY	1	28-1 to 28-990 inclusive	
	63047-007	E	DOOR ASSEMBLY	1	28-991 to 28-1760 inclusive	
	63047-007	G	DOOR ASSEMBLY	1	28-20002 to 28-24999 inclusive	
	63047-000	E	DOOR ASSEMBLY	1	28-1761 to 28-2477 inclusive	
	63047-000	B	DOOR ASSEMBLY	1	28-10003 to 28-10675 inclusive	
	63047-013	B	DOOR ASSEMBLY	1	28-10676 to 28-10719 inclusive	
	63047-013	E	DOOR ASSEMBLY	1	28-2478 to 28-4377 inclusive	
	63047-012	H	DOOR ASSEMBLY	1		
	66652-000	J	DOOR ASSEMBLY	1		
	66652-009	G	DOOR ASSEMBLY	1	28-7325520 and up	
	63047-014	D	DOOR ASSEMBLY	1		
	76145-000	F	DOOR ASSEMBLY	1		
	76145-010	C	DOOR ASSEMBLY	1		
				<p>A - Used on PA-28-140 with serial numbers 28-20002 to 28-7625030 inclusive, PA-28-150, PA-28-160 and PA-28-180 with serial numbers 28-1 to 28-7505261 inclusive, PA-28-235 with serial numbers 28-10003 to 28-7610020 inclusive, PA-28R-180 and PA-28R-200 with serial numbers 28R-30482, and 28R-35001 to 28R-7635017 inclusive.</p> <p>B - Used on PA-28-235 airplanes only.</p> <p>C - Used on PA-28-180 with serial numbers 28-7305362 and up, PA-28-235 with serial numbers 28-7310128 and up, and PA-28R-200 with serial numbers 28R-7335219 and up.</p> <p>D - Used on PA-28-180 with serial numbers 28-5428 to 28-5600 inclusive, PA-28R-200 with serial numbers 28R-30482, 28R-35001 to 28R-35600 inclusive, and PA-28-235 with serial numbers 28-11186 to 28-11300 inclusive.</p> <p>E - Used on PA-28-150, PA-28-160 and PA-28-180 airplanes one.</p> <p>F - Used on PA-28-180 with serial numbers 28-7305001 to 28-7305361 inclusive, PA-28-235 with serial numbers 28-7310001 to 28-7310127 inclusive, and PA-28R-200 with serial numbers 28R-7235001 to 28R-7335218 inclusive.</p> <p>G - Used on PA-28-140 airplanes only.</p> <p>H - Used on PA-28-180 with serial numbers 28-4378 to 28-5427 inclusive, PA-28-235 with serial numbers 28-10720 to 28-11185 inclusive, and PA-28R-180 with serial numbers 28R-30005 to 28R-31250 inclusive.</p> <p>J - Used on PA-28-140 with serial numbers 28-25000 to 28-7325519 inclusive, PA-28-180 with serial numbers 28-5601 to 28-7205328 inclusive, PA-28R-180 with serial numbers 28R-31251 to 28R-7130019 inclusive, and PA-28R-200 with serial numbers 28R-35601 to 28R-7135238 inclusive, and PA-28-235 with serial numbers 28-11301 to 28-7210033 inclusive.</p> <p>K - Used on PA-28-150, PA-28-160 and PA-28-180 with serial numbers 28-671 to 28-2177 inclusive, PA-28-235 with serial numbers 28-10003 to 28-10675 inclusive, and PA-28-140 with serial numbers 28-20002 to 28-24999 inclusive.</p>		

When ordering, always specify Part Number, Description, and Serial Number of Aircraft

PIPER PARTS CATALOG

Figure and Index Number	Part Number	Code	NOMENCLATURE	No. Req.	SERIAL NUMBERS AFFECTED
24 -63	63001-004		HINGE - Cabin door, top	1	28-1 to 28-544 inclusive
	63050-000	C	HINGE - Cabin door, top	1	
	66913-000	B	HINGE - Cabin door, top	1	
	66913-002	E	HINGE - Cabin door, top	1	
	66913-004	D	HINGE - Cabin door, top	1	
-64	63001-005		HINGE - Cabin door, bottom	1	28-1 to 28-544 inclusive
	63051-000	C	HINGE - Cabin door, bottom	1	
	66914-000	B	HINGE - Cabin door, bottom	1	
	66914-002	E	HINGE - Cabin door, bottom	1	
	66914-003	D	HINGE - Cabin door, bottom	1	
-64a	66915-000	B	DOUBLER ASSEMBLY - Floating, top	1	
	66916-000	B	DOUBLER ASSEMBLY - Floating, bottom	1	
			<p>A - Used on PA-28-140 with serial numbers 28-20002 to 28-7625030 inclusive, PA-28-150, PA-28-160 and PA-28-180 with serial numbers 28-1 to 28-7505261 inclusive, PA-28-235 with serial numbers 28-10003 to 28-7610020 inclusive, PA-28R-180 and PA-28R-200 with serial numbers 28R-30482, and 28R-35001 to 28R-7635017 inclusive.</p> <p>B - Used on PA-28-140 with serial numbers 28-26216 to 28-7325519 inclusive, PA-28-180 with serial numbers 28-5604 to 28-7205328 inclusive, PA-28-180 with serial numbers 28R-31251 to 28R-7130019 inclusive, PA-28R-200 with serial numbers 28R-35386 to 28R-7135238 inclusive, and PA-28-235 with serial numbers 28-11301 to 28-7210033 inclusive.</p> <p>C - Used on PA-28-140 with serial numbers 28-20002 to 28-26215 inclusive, PA-28-150, PA-28-160 and PA-28-180 with serial numbers 28-545 to 28-5603 inclusive, PA-28R-180 with serial numbers 28R-30005 to 28R-31250 inclusive, PA-28R-200 with serial numbers 28R-30482, 28R-35001 to 28R-35385 inclusive, and PA-28-235 with serial numbers 28-10003 to 28-11300 inclusive.</p> <p>D - Used on PA-28-140 with serial numbers 28-7325520 and up, PA-28-180 with serial numbers 28-7305362 and up, PA-28-235 with serial numbers 28-7310128 and up, and PA-28R-200 with serial numbers 28R-7335219 and up.</p> <p>E - Used on PA-28-180 with serial numbers 28-7305001 to 28-7305361 inclusive, PA-28-235 with serial numbers 28-7310001 to 28-7310127 inclusive, and PA-28R-200 with serial numbers 28R-7235001 to 78R-7335218 inclusive.</p>		

When ordering, always specify Part Number, Description, and Serial Number of Aircraft

PIPER PARTS CATALOG

Figure and Index Number	Part Number	Code	NOMENCLATURE	No. Req.	SERIAL NUMBERS AFFECTED
24 -64b	96863-000	F,G	* ACTUATOR ASSEMBLY - Lower door latch	1	
-64c	96872-000	E	* BRACKET ASSEMBLY - Upper door Latch	1	
-64d	454-887	F,G	* CLAMP	3	
-65	63025-000	B	DOOR AND ACTUATOR ASSEMBLY - Ventilator	1	
-65a	65799-000	B	* DOOR ASSEMBLY - Ventilator	1	
-65b	21407-000	B	* SEAL - Ventilator door	1	
-66	21409-000	B	BRACKET - Ventilator control mounting	1	
-67	63007-000	C	ROD - Door latch	1	
	99783-000	D	ROD - Door latch	1	
<p>A - Used on PA-28-140 with serial numbers 28-20002 to 28-7625030 inclusive, PA-28-150, PA-28-160 and PA-28-180 with serial numbers 28-1 to 28-7505261 inclusive, PA-28-235 with serial numbers 28-10003 to 28-7610020 inclusive, PA-28R-180 and PA-28R-200 with serial numbers 28R-30482, and 28R-35001 to 28R-7635017 inclusive.</p> <p>B - Used on PA-28-150, PA-28-160 and PA-28-180 with serial numbers 28-1 to 28-2477 inclusive, PA-28-235 with serial numbers 28-10003 to 28-10675 inclusive, and PA-28-140 with serial numbers 28-20002 to 28-24999 inclusive.</p> <p>C - Used on PA-28-140 with serial numbers 28-20002 to 28-24999 inclusive, PA-28-235 with serial numbers 28-10003 to 28-11185 inclusive, PA-28-150, PA-28-160 and PA-28-180 with serial numbers 28-1 to 28-5427 inclusive, and PA-28R-180 with serial numbers 28R-30005 to 28R-31250 inclusive.</p> <p>D - Used on PA-28-140 with serial numbers 28-25000 and up, PA-28-235 with serial numbers 28-11186 and up, PA-28R-180 with serial numbers 28R-31251 and up, and PA-28R-200 with serial numbers 28R-30482, and 28R-35001 and up.</p> <p>E - Used on PA-28-180 with serial numbers 28-7305001 and up, PA-28-235 with serial numbers 28-7310001 and up, and PA-28R-200 with serial numbers 28R-7235001 and up.</p> <p>F - Used on PA-28-140 with serial numbers 28-7325033 and up, PA-28-180 with serial numbers 28-7305001 and up, PA-28-235 with serial numbers 28-7310001 and up, and PA-28R-200 with serial numbers 28R-7235001 and up.</p> <p>G - Used on PA-28-140 with serial numbers 28-25000 to 28-7325032 inclusive, PA-28-180 with serial numbers 28-5428 to 28-7205328 inclusive, PA-28-235 with serial numbers 28-11186 to 28-7210033 inclusive, PA-28R-180 with serial numbers 28R-31251 to 28R-7130019 inclusive, and PA-28R-200 with serial numbers 28R-30482, 28R-35001 to 28R-7135238 inclusive if lower door latch is installed.</p>					

When ordering, always specify Part Number, Description, and Serial Number of Aircraft

PIPER PARTS CATALOG

Figure and Index Number	Part Number	Code	NOMENCLATURE	No. Req.	SERIAL NUMBERS AFFECTED	
24 -68	63008-002	D	* ARMREST - Brown	1		
	63008-005	D	* ARMREST - Gray	1		
	63008-012	E	* ARMREST - Red	1	28-21468 to 28-24999 inclusive	
	63008-013	E	* ARMREST - Brown	1	28-21468 to 28-24999 inclusive	
	63008-014	E	* ARMREST - Blue	1	28-21468 to 28-24999 inclusive	
	63008-022	E	* ARMREST - Beige	1	28-20002 to 28-24999 inclusive	
	-68a	66710-017		* HOUSING ASSEMBLY - Armrest	1	
	-68b	763-003	F	** BOX ASSEMBLY - Ash tray (S-25-AR-C)	1	
	-68c	66710-044	F,G	* PAD - Armrest	1	
		66710-021	E	* PAD - Armrest, brown	1	
		66710-026	H	* PAD - Armrest, white	1	
	-68d	419-594	F	* SCREW - (AN530-10R36)	2	
	-69	63009-005		* PANEL ASSEMBLY - Door trim, brown	1	28-1 to 28-130 inclusive
		63009-018		* PANEL ASSEMBLY - Door trim, brown	1	28-131 to 28-670 inclusive
		63029-000	C,J	* PANEL ASSEMBLY - Door trim	1	28-671 to 28-1760 inclusive
		65308-002	B	* PANEL ASSEMBLY - Door trim, red	1	28-10003 to 28-10094 inclusive
		65308-003	B	* PANEL ASSEMBLY - Door trim, brown	1	28-10003 to 28-10094 inclusive
		65308-004	B	* PANEL ASSEMBLY - Door trim, blue	1	28-10003 to 28-10094 inclusive
		65308-005	B	* PANEL ASSEMBLY - Door trim, red	1	28-10095 to 28-10486 inclusive
		65308-006	B	* PANEL ASSEMBLY - Door trim, brown	1	28-10095 to 28-10486 inclusive
		65308-007	B	* PANEL ASSEMBLY - Door trim, blue	1	28-10095 to 28-10486 inclusive
		62292-002	E	* PANEL ASSEMBLY - Door trim, brown	1	28-20002 to 28-21467 inclusive
		62292-003	E	* PANEL ASSEMBLY - Door trim, gray	1	28-20002 to 28-21467 inclusive

- A - Used on PA-28-140 with serial numbers 28-20002 to 28-7625030 inclusive, PA-28-150, PA-28-160 and PA-28-180 with serial numbers 28-1 to 28-7505261 inclusive, PA-28-235 with serial numbers 28-10003 to 28-7610020 inclusive, PA-28R-180 and PA-28R-200 with serial numbers 28R-30482, 28R-35001 to 28R-7635017 inclusive.
- B - Used on PA-28-235 airplanes only.
- C - When ordering, specify color brown or gray.
- D - Used on PA-28-150, PA-28-160 and PA-28-180 with serial numbers 28-1 to 28-2477 inclusive, PA-28-235 with serial numbers 28-10003 to 28-10675 inclusive, and PA-28-140 with serial numbers 28-20002 to 28-24999 inclusive.
- E - Used on PA-28-140 airplanes only.
- F - Used on PA-28-140 with serial numbers 28-25000 and up, PA-28-180 with serial numbers 28-5601 and up, PA-28R-180 with serial numbers 28R-31251 and up, PA-28R-200 with serial numbers 28R-35601 and up, and PA-28-235 with serial numbers 28-11301 and up.
- G - When ordering, specify color red, blue/green, gold, black or green.
- H - Used on PA-28-180 with serial numbers 28-5601 and up, PA-28R-180 with serial numbers 28R-31251 and up, PA-28R-200 with serial numbers 28R-35601 and up, and PA-28-235 with serial numbers 28-11301 and up.
- J - Used on PA-28-150, PA-28-160 and PA-28-180 airplanes only.

When ordering, always specify Part Number, Description, and Serial Number of Aircraft

PIPER PARTS CATALOG

Figure and Index Number	Part Number	Code	NOMENCLATURE	No. Req.	SERIAL NUMBERS AFFECTED
24 -69	65308-008	D	PANEL ASSEMBLY - Door trim, red	1	
	65308-009	D	PANEL ASSEMBLY - Door trim, brown	1	
	65308-010	D	PANEL ASSEMBLY - Door trim, blue	1	
	65619-002	E	PANEL ASSEMBLY - Door trim, red	1	
	65619-003	E	PANEL ASSEMBLY - Door trim, brown	1	
	65619-004	E	PANEL ASSEMBLY - Door trim, blue	1	
	62292-004	C	PANEL ASSEMBLY - Door trim, red	1	28-21468 to 28-24999 inclusive
	66684-002	C	PANEL ASSEMBLY - Door trim, red	1	28-25000 to 28-26400 inclusive
	66684-006	C	PANEL ASSEMBLY - Door trim, red	1	28-26401 to 28-26956 inclusive
	99149-002	C	PANEL ASSEMBLY - Door trim, red	1	28-7125001 to 28-7125651 incl.
	99149-006	C	PANEL ASSEMBLY - Door trim, red	1	28-7225001 to 28-7225612 incl.
	580-336	C	PANEL ASSEMBLY - Door trim, red	1	28-7325001 to 28-7325684 incl.
	579-819	C	PANEL ASSEMBLY - Door trim, red	1	28-7425001 and up
	62292-005	C	PANEL ASSEMBLY - Door trim, brown	1	28-21468 to 28-24999 inclusive
	66684-003	C	PANEL ASSEMBLY - Door trim, brown	1	28-25000 to 28-26400 inclusive
	66684-007	C	PANEL ASSEMBLY - Door trim, brown	1	28-26401 to 28-26956 inclusive
	99149-005	C	PANEL ASSEMBLY - Door trim, green	1	28-7125001 to 28-7125651 incl.
	99149-009	C	PANEL ASSEMBLY - Door trim, green	1	28-7225001 to 28-7225612 incl.
	580-339	C	PANEL ASSEMBLY - Door trim, green	1	28-7325001 to 28-7325684 incl.
	579-816	C	PANEL ASSEMBLY - Door trim, green	1	28-7425001 and up
	62292-006	C	PANEL ASSEMBLY - Door trim, blue	1	28-21468 to 28-24999 inclusive
	66684-004	C	PANEL ASSEMBLY - Door trim, blue	1	28-25000 to 28-26400 inclusive
	66684-008	C	PANEL ASSEMBLY - Door trim, blue	1	28-26401 to 28-26956 inclusive
	99149-003	C	PANEL ASSEMBLY - Door trim, blue	1	28-7125001 to 28-7125051 incl.
	99149-007	C	PANEL ASSEMBLY - Door trim, blue	1	28-7225001 to 28-7225612 incl.
	580-337	C	PANEL ASSEMBLY - Door trim, blue	1	28-7325001 to 28-7325684 incl.
	579-818	C	PANEL ASSEMBLY - Door trim, blue	1	28-7425001 and up
	62292-007	C	PANEL ASSEMBLY - Door trim, beige	1	28-20002 to 28-24999 inclusive
	66684-005	C	PANEL ASSEMBLY - Door trim, beige	1	28-25000 to 28-26400 inclusive
	66684-009	C	PANEL ASSEMBLY - Door trim, beige	1	28-26401 to 28-26956 inclusive
	99149-004	C	PANEL ASSEMBLY - Door trim, beige	1	28-7125001 to 28-7125651 incl.
	99149-008	B,C	PANEL ASSEMBLY - Door trim, beige	1	28-7225001 to 28-7225612 incl.
	580-338	C	PANEL ASSEMBLY - Door trim, gold	1	28-7325001 to 28-7325684 incl.
579-817	C	PANEL ASSEMBLY - Door trim, gold	1	28-7425001 and up	
			<p>A - Used on PA-28-140 with serial numbers 28-20002 to 28-7625030 inclusive, PA-28-150, PA-28-160 and PA-28-180 with serial numbers 28-1 to 28-7505261 inclusive, PA-28-235 with serial numbers 28-10003 to 28-7610020 inclusive, PA-28R-180 and PA-28R-200 with serial numbers 28R-30482, 28R-35001 to 28R-7635017 inclusive.</p> <p>B - If ordering for Flite Liner it will be necessary to specify color beige or gold.</p> <p>C - Used on PA-28-140 airplanes only.</p> <p>D - Used on PA-28-150, PA-28-160 and PA-28-180 with serial numbers 28-1761 to 28-2477 inclusive, and PA-28-235 with serial numbers 28-10487 to 28-10675 inclusive.</p> <p>E - Used on PA-28-150, PA-28-160 and PA-28-180 with serial numbers 28-2478 to 28-4377 inclusive, and PA-28-235 with serial numbers 28-10676 to 28-10719 inclusive.</p>		

When ordering, always specify Part Number, Description, and Serial Number of Aircraft

PIPER PARTS CATALOG

Figure and Index Number	Part Number	Code	NOMENCLATURE	No. Req.	SERIAL NUMBERS AFFECTED
24 -69	67305-002	B	PANEL ASSEMBLY - Door trim, red	1	
	67305-006	D	PANEL ASSEMBLY - Door trim, red	1	
	66936-002	E	PANEL ASSEMBLY - Door trim, red	1	
	66936-008	F	PANEL ASSEMBLY - Door trim, red	1	
	99135-002	H	PANEL ASSEMBLY - Door trim, red	1	
	99659-002	K	PANEL ASSEMBLY - Door trim, red	1	
	580-384	C	PANEL ASSEMBLY - Door trim, red	1	
	579-889	L	PANEL ASSEMBLY - Door trim, red	1	
	99135-003	G	PANEL ASSEMBLY - Door trim, red	1	
	76163-002	J	PANEL ASSEMBLY - Door trim, red	1	28R-7235001 to 28R-7235330 incl.
	580-390	J	PANEL ASSEMBLY - Door trim, red	1	28R-7335001 to 28R-7335455 incl.
	579-883	J	PANEL ASSEMBLY - Door trim, red	1	28R-7435001 and up
	67305-003	B	PANEL ASSEMBLY - Door trim, brown		
	67305-007	D	PANEL ASSEMBLY - Door trim, brown		
			<p>A - Used on PA-28-140 with serial numbers 28-20002 to 28-7625030 inclusive, PA-28-150, PA-28-160 and PA-28-180 with serial numbers 28-1 to 28-7505261 inclusive, PA-28-235 with serial numbers 28-10003 to 28-7610020 inclusive, PA-28R-180 and PA-28R-200 with serial numbers 28R-30482, 28R-35001 to 28R-7635017 inclusive.</p> <p>B - Used on PA-28-180 with serial numbers 28-4378 to 28-5427 inclusive, PA-28-235 with serial numbers 28-11040 to 28-11185 inclusive, and PA-28R-180 with serial numbers 28R-30005 to 28R-31250 inclusive.</p> <p>C - Used on PA-28-180 with serial numbers 28-7305001 to 28-7305611 inclusive, and PA-28-235 with serial numbers 28-7310001 to 28-7310187 inclusive.</p> <p>D - Used on PA-28-180 with serial numbers 28-5428 to 28-5600 inclusive, PA-28R-200 with serial numbers 28R-30482, 28R-35001 to 28R-35600 inclusive, and PA-28-235 with serial numbers 28-11186 to 28-11300 inclusive.</p> <p>E - Used on PA-28-180 with serial numbers 28-5601 to 28-5869 inclusive, and PA-28-235 with serial numbers 28-11301 to 28-11393 inclusive.</p> <p>F - Used on PA-28R-180 with serial numbers 28R-31251 to 28R-31279 inclusive, and PA-28R-200 with serial numbers 28R-35601 to 28R-35830 inclusive.</p> <p>G - Used on PA-28R-180 with serial numbers 28R-7130001 to 28R-7130019 inclusive, and PA-28R-200 with serial numbers 28R-7135001 to 28R-7135238 inclusive.</p> <p>H - Used on PA-28-180 with serial numbers 28-7105001 to 28-7105244 inclusive, and PA-28-235 with serial numbers 28-7110001 to 28-7110042 inclusive.</p> <p>J - Used on PA-28R-200 airplanes only.</p> <p>K - Used on PA-28-180 with serial numbers 28-7205001 to 28-7205328 inclusive, and PA-28-235 with serial numbers 28-7210001 to 28-7210033 inclusive.</p> <p>L - Used on PA-28-180 with serial numbers 28-7405001 and up, and PA-28-235 with serial numbers 28-7410001 and up.</p>		

When ordering, always specify Part Number, Description, and Serial Number of Aircraft

PIPER PARTS CATALOG

Figure and Index Number	Part Number	Code	NOMENCLATURE	No. Req.	SERIAL NUMBERS AFFECTED
24 -69	66936-005	E	PANEL ASSEMBLY - Door trim, green	1	28R-7235001 to 28R-7235330 incl. 28R-7335001 to 28R-7335455 incl. 28R-7435001 and up
	66936-011	F	PANEL ASSEMBLY - Door trim, green	1	
	99135-008	H	PANEL ASSEMBLY - Door trim, green	1	
	99659-007	K	PANEL ASSEMBLY - Door trim, green	1	
	580-389	C	PANEL ASSEMBLY - Door trim, green	1	
	579-884	L	PANEL ASSEMBLY - Door trim, green	1	
	99135-009	G	PANEL ASSEMBLY - Door trim, green	1	
	76163-007	J	PANEL ASSEMBLY - Door trim, green	1	
	580-395	J	PANEL ASSEMBLY - Door trim, green	1	
	579-878	J	PANEL ASSEMBLY - Door trim, green	1	
	67305-004	B	PANEL ASSEMBLY - Door trim, blue	1	
	67305-008	D	PANEL ASSEMBLY - Door trim, blue	1	
	66936-003	E	PANEL ASSEMBLY - Door trim, blue	1	
	66936-009	F	PANEL ASSEMBLY - Door trim, blue	1	
	99135-004	H	PANEL ASSEMBLY - Door trim, blue	1	
	99135-005	G	PANEL ASSEMBLY - Door trim, blue	1	
				<p>A - Used on PA-28-140 with serial numbers 28-20002 to 28-7625030 inclusive, PA-28-150, PA-28-160 and PA-28-180 with serial numbers 28-1 to 28-7505261 inclusive, PA-28-235 with serial numbers 28-10003 to 28-7610020 inclusive, PA-28R-180 and PA-28R-200 with serial numbers 28R-30482, 28R-35001 to 28R-7635017 inclusive.</p> <p>B - Used on PA-28-180 with serial numbers 28-4378 to 28-5427 inclusive, PA-28-235 with serial numbers 28-11040 to 28-11185 inclusive, and PA-28R-180 with serial numbers 28R-30005 to 28R-30481 inclusive, 28R-30483 to 28R-31250 inclusive.</p> <p>C - Used on PA-28-180 with serial numbers 28-7805001 to 28-7305611 inclusive, and PA-28-235 with serial numbers 28-7310001 to 28-7310187 inclusive.</p> <p>D - Used on PA-28-180 with serial numbers 28-5428 to 28-5600 inclusive, PA-28R-200 with serial numbers 28R-30482, 28R-35001 to 28R-35600 inclusive, and PA-28-235 with serial numbers 28-11186 to 28-11300 inclusive.</p> <p>E - Used on PA-28-180 with serial numbers 28-5601 to 28-5869 inclusive, and PA-28-235 with serial numbers 28-11301 to 28-11393 inclusive.</p> <p>F - Used on PA-28R-180 with serial numbers 28R-31251 to 28R-31279 inclusive, and PA-28R-200 with serial numbers 28R-35601 to 28R-35830 inclusive.</p> <p>G - Used on PA-28R-180 with serial numbers 28R-7130001 to 28R-7130019 inclusive, and PA-28R-200 with serial numbers 28R-7135001 to 28R-7135238 inclusive.</p> <p>H - Used on PA-28-180 with serial numbers 28-7105001 to 28-7105244 inclusive, and PA-28-235 with serial numbers 28-7110001 to 28-7110042 inclusive.</p> <p>J - Used on PA-28R-200 airplanes only.</p> <p>K - Used on PA-28-180 with serial numbers 28-7205001 to 28-7205328 inclusive, and PA-28-235 with serial numbers 28-7210001 to 28-7210033 inclusive.</p> <p>L - Used on PA-28-180 with serial numbers 28-7405001 and up, and PA-28-235 with serial numbers 28-7410001 and up.</p>	

When ordering, always specify Part Number, Description, and Serial Number of Aircraft

PIPER PARTS CATALOG

Figure and Index Number	Part Number	Code	NOMENCLATURE	No. Req.	SERIAL NUMBERS AFFECTED	
24 -69	76163-003	J	PANEL ASSEMBLY - Door trim, blue/green	1	28R-7235001 to 28R-7235330 incl. 28R-7335001 to 28R-7335455 incl. 28R-7435001 and up 28R-7235001 to 28R-7235330 incl. 28R-7335001 to 28R-7335455 incl. 28R-7435001 and up	
	580-391	J	PANEL ASSEMBLY - Door trim, blue/green	1		
	579-882	J	PANEL ASSEMBLY - Door trim, blue/green	1		
	99659-003	K	PANEL ASSEMBLY - Door trim, blue/green	1		
	580-385	B	PANEL ASSEMBLY - Door trim, blue/green	1		
	579-888	L	PANEL ASSEMBLY - Door trim, blue/green	1		
	67305-005	C	PANEL ASSEMBLY - Door trim, beige	1		
	67305-009	D	PANEL ASSEMBLY - Door trim, beige	1		
	66936-004	E	PANEL ASSEMBLY - Door trim, beige	1		
	66936-010	F	PANEL ASSEMBLY - Door trim, beige	1		
	99135-006	H	PANEL ASSEMBLY - Door trim, beige	1		
	99135-007	G	PANEL ASSEMBLY - Door trim, beige	1		
	76163-004	J	PANEL ASSEMBLY - Door trim, gold	1		
	580-392	J	PANEL ASSEMBLY - Door trim, gold	1		
	579-881	J	PANEL ASSEMBLY - Door trim, gold	1		
	99659-004	K	PANEL ASSEMBLY - Door trim, gold	1		
	580-386	B	PANEL ASSEMBLY - Door trim, gold	1		
	579-887	L	PANEL ASSEMBLY - Door trim, gold	1		
	<p>A - Used on PA-28-140 with serial numbers 28-20002 to 28-7625030 inclusive, PA-28-150, PA-28-160 and PA-28-180 with serial numbers 28-1 to 28-7505261 inclusive, PA-28-235 with serial numbers 28-10003 to 28-7610020 inclusive, PA-28R-180 and PA-28R-200 with serial numbers 28R-30482, 28R-35001 to 28R-7635017 inclusive.</p> <p>B - Used on PA-28-180 with serial numbers 28-7305001 to 28-7305611 inclusive, and PA-28-235 with serial numbers 28-7310001 to 28-7310187 inclusive.</p> <p>C - Used on PA-28-180 with serial numbers 28-4378 to 28-5427 inclusive, PA-28-235 with serial numbers 28-11040 to 28-11185 inclusive, and PA-28R-180 with serial numbers 28R-30005 to 28R-30481 inclusive, 28R-30483 to 28R-31250 inclusive.</p> <p>D - Used on PA-28-180 with serial numbers 28-5428 to 28-5600 inclusive, PA-28R-200 with serial numbers 28R-30482, and 28R-35001 to 28R-35600 inclusive, PA-28-235 with serial numbers 28-11186 to 28-11300 inclusive.</p> <p>E - Used on PA-28-180 with serial numbers 28-5601 to 28-5869 inclusive, and PA-28-235 with serial numbers 28-11301 to 28-11393 inclusive.</p> <p>F - Used on PA-28R-180 with serial numbers 28R-31251 to 28R-31279 inclusive, and PA-28R-200 with serial numbers 28R-35601 to 28R-35830 inclusive.</p> <p>G - Used on PA-28R-180 with serial numbers 28R-7130001 to 28R-7130019 inclusive, and PA-28R-200 with serial numbers 28R-7135001 to 28R-7135238 inclusive.</p> <p>H - Used on PA-28-180 with serial numbers 28-7105001 to 28-7105244 inclusive, and PA-28-235 with serial numbers 28-7110001 to 28-7110042 inclusive.</p> <p>J - Used on PA-28R-200 airplanes only.</p> <p>K - Used on PA-28-180 with serial numbers 28-7205001 to 28-7205328 inclusive, and PA-28-235 with serial numbers 28-7210001 to 28-7210033 inclusive.</p> <p>L - Used on PA-28-180 with serial numbers 28-7405001 and up, and PA-28-235 with serial numbers 28-7410001 and up.</p>					

When ordering, always specify Part Number, Description, and Serial Number of Aircraft

PIPER PARTS CATALOG

Figure and Index Number	Part Number	Code	NOMENCLATURE	No. Req.	SERIAL NUMBERS AFFECTED	
24 -69	67305-010	C	PANEL ASSEMBLY - Door trim, black	1		
	66936-006	E	PANEL ASSEMBLY - Door trim, black	1		
	66936-012	F	PANEL ASSEMBLY - Door trim, black	1		
	99135-010	H	PANEL ASSEMBLY - Door trim, black	1		
	99135-011	J	PANEL ASSEMBLY - Door trim, black	1		
	76163-005	D	PANEL ASSEMBLY - Door trim, black	1	28R-7235001 to 28R-7235330 incl.	
	580-393	D	PANEL ASSEMBLY - Door trim, black	1	28R-7335001 to 28R-7335455 incl.	
	579-880	D	PANEL ASSEMBLY - Door trim, black	1	28R-7435001 and up	
	99659-005	G	PANEL ASSEMBLY - Door trim, black	1		
	580-387	B	PANEL ASSEMBLY - Door trim, black	1		
	579-886	K	PANEL ASSEMBLY - Door trim, black	1		
	67305-011	C	PANEL ASSEMBLY - Door trim, white	1		
	66936-007	E	PANEL ASSEMBLY - Door trim, white	1		
	66936-013	F	PANEL ASSEMBLY - Door trim, white	1		
	99135-012	H	PANEL ASSEMBLY - Door trim, white	1		
	99135-013	J	PANEL ASSEMBLY - Door trim, white	1		
	76163-006	D	PANEL ASSEMBLY - Door trim, white	1	28R-7235001 to 28R-7235330 incl.	
	580-394	D	PANEL ASSEMBLY - Door trim, white	1	28R-7335001 to 28R-7335455 incl.	
	579-870	D	PANEL ASSEMBLY - Door trim, white	1	28R-7435001 and up	
	99659-006	G	PANEL ASSEMBLY - Door trim, white	1		
	580-388	B	PANEL ASSEMBLY - Door trim, white	1		
	579-885	K	PANEL ASSEMBLY - Door trim, white	1		
				A - Used on PA-28-140 with serial numbers 28-20002 to 28-7625030 inclusive, PA-28-150, PA-28-160 and PA-28-180 with serial numbers 28-1 to 28-7505261 inclusive, PA-28-235 with serial numbers 28-10003 to 28-7610020 inclusive, PA-28R-180 and PA-28R-200 with serial numbers 28R-30482, 28R-35001 to 28R-7635017 inclusive.		
				B - Used on PA-28-180 with serial numbers 28-7305001 to 28-7305611 inclusive, and PA-28-235 with serial numbers 28-7310001 to 28-7310187 inclusive.		
				C - Used on PA-28R-200 with serial numbers 28R-30482, 28R-35001 to 28R-35600 inclusive.		
				D - Used on PA-28R-200 airplanes only.		
				E - Used on PA-28-180 with serial numbers 28-5601 to 28-5869 inclusive, and PA-28-235 with serial numbers 28-11301 to 28-11393 inclusive.		
				F - Used on PA-28R-180 with serial numbers 28R-31251 to 28R-31279 inclusive, and PA-28R-200 with serial numbers 28R-35601 to 28R-35830 inclusive.		
				G - Used on PA-28-180 with serial numbers 28-7205001 to 28-7205328 inclusive, and PA-28-235 with serial numbers 28-7210001 to 28-7210033 inclusive.		
				H - Used on PA-28-180 with serial numbers 28-7105001 to 28-7105244 inclusive, and PA-28-235 with serial numbers 28-7110001 to 28-7110042 inclusive.		
				J - Used on PA-28R-180 with serial numbers 28R-7130001 to 28R-7130019 inclusive, and PA-28R-200 with serial numbers 28R-7135001 to 28R-7135238 inclusive.		
				K - Used on PA-28-180 with serial numbers 28-7405001 and up, and PA-28-235 with serial numbers 28-7410001 and up.		

When ordering, always specify Part Number, Description, and Serial Number of Aircraft

PIPER PARTS CATALOG

Figure and Index Number	Part Number	Code	NOMENCLATURE	No. Req.	SERIAL NUMBERS AFFECTED	
24 -70	65338-002	B	* ARMREST- Red	1		
	65338-003	B	* ARMREST- Brown	1		
	65338-004	B	* ARMREST- Blue	1		
-71	68484-001	D	PAN - Armrest	1		
-72	68492-005	D	PAD ASSEMBLY - Armrest, red	1		
	68492-009	D	PAD ASSEMBLY - Armrest, brown	1		
	68492-013	D	PAD ASSEMBLY - Armrest, blue	1		
	68492-015	G	PAD ASSEMBLY - Armrest, beige	1		
	68492-019	F	PAD ASSEMBLY - Armrest, black	1		
	68492-021	F	PAD ASSEMBLY - Armrest, white	1		
	-73	453-141	C	BOX - Ash (947478)	1	
	-74	65286-005	C	KNOB - Ash box, red	1	
		65286-006	C	KNOB - Ash box, blue	1	
		65286-007	C	KNOB - Ash box, brown	1	
65286-008		E	KNOB - Ash box, tan	1		
-75	484-385	C	RETAINER - Ash box (947483)	1		
-76	65304-000	C	PANEL - Ash box	1		
			<p>A - Used on PA-28-140 with serial numbers 28-20002 to 28-7625030 inclusive, PA-28-150, PA-28-160 and PA-28-180 with serial numbers 28-1 to 28-7505261 inclusive, PA-28-235 with serial numbers 28-10003 to 28-7610020 inclusive, PA-28R-180 and PA-28R-200 with serial numbers 28R-30482, 28R-35001 to 28R-7635017 inclusive.</p> <p>B - Used on PA-28-235 with serial numbers 28-10003 to 28-10719 inclusive, and PA-28-150, PA-28-160 and PA-28-180 with serial numbers 28-1761 to 28-4377 inclusive.</p> <p>C - Used on PA-28-180 with serial numbers 28-4378 to 28-5600 inclusive, PA-28-235 with serial numbers 28-10720 to 28-11300 inclusive, and PA-28R-180 with serial numbers 28R-30005 to 28R-31250 inclusive.</p> <p>D - Used on PA-28-180 with serial numbers 28-4378 to 28-5600 inclusive, PA-28-235 with serial numbers 28-10720 to 28-11300 inclusive, PA-28R-180 with serial numbers 28R-30005 to 28R-31250 inclusive, and PA-28R-200 with serial numbers 28R-30482, 28R-35001 to 28R-35600 inclusive.</p> <p>E - Used on PA-28-180 with serial numbers 28-4378 to 28-5600 inclusive, PA-28-235 with serial numbers 28-11040 to 28-11300 inclusive, and PA-28R-180 with serial numbers 28R-30005 to 28R-31250 inclusive.</p> <p>F - Used on PA-28R-200 with serial numbers 28R-30482, 28R-35001 to 28R-35600 inclusive.</p> <p>G - Used on PA-28-180 with serial numbers 28-4378 to 28-5600 inclusive, PA-28-235 with serial numbers 28-11040 to 28-11300 inclusive, PA-28R-180 with serial numbers 28R-30005 to 28R-31250 inclusive, and PA-28R-200 with serial numbers 28R-30482, 28R-35001 to 28R-35600 inclusive.</p>			

When ordering, always specify Part Number, Description, and Serial Number of Aircraft

PIPER PARTS CATALOG

Figure and Index Number	Part Number	Code	NOMENCLATURE	No. Req.	SERIAL NUMBERS AFFECTED	
24 -77	65238-007	D	PANEL - Armrest, red	1	28-10003 to 28-10486 inclusive	
	65238-003	D	PANEL - Armrest, brown	1	28-10003 to 28-10486 inclusive	
	65238-005	D	PANEL - Armrest, blue	1	28-10003 to 28-10486 inclusive	
	65238-013	E	PANEL - Armrest, red	1		
	65238-009	E	PANEL - Armrest, brown	1		
	65238-011	E	PANEL - Armrest, blue	1		
	-78	80122-005	C	WASHER	2	
		424-051	C	COTTER PIN - (AN380-2-2)	2	
		587-221	B	SPRING - (113-837-199)	1	
	-79	63150-000		PANEL - Door, top, brown	1	28-6 to 28-670 inclusive and 28-932 to 28-990 inclusive
		63150-004	G	PANEL - Door, top	1	28-671 to 28-931 inclusive
63187-006		H	PANEL - Door, top, brown	1	28-991 to 28-1760 inclusive	
63187-006		F	PANEL - Door, top, brown	1	28-20002 to 28-21045 inclusive	
63187-007		H	PANEL - Door, top, gray	1	28-991 to 28-1760 inclusive	
63187-007		F	PANEL - Door, top, gray	1	28-20002 to 28-21045 inclusive	
<p>A - Used on PA-28-140 with serial numbers 28-20002 to 28-7625030 inclusive, PA-28-150, PA-28-160 and PA-28-180 with serial numbers 28-1 to 28-7505261 inclusive, PA-28-235 with serial numbers 28-10003 to 28-7610020 inclusive, PA-28R-180 and PA-28R-200 with serial numbers 28R-30482, 28R-35001 to 28R-7635017 inclusive.</p> <p>B - Used on PA-28-140 with serial numbers 28-25000 and up, PA-28-235 with serial numbers 28-11186 and up, PA-28-180 with serial numbers 28-5428 and up, PA-28R-200 with serial numbers 28R-30482, 28R-35001 and up, and PA-28R-180 with serial numbers 28R-31251 and up.</p> <p>C - Used on PA-28-150, PA-28-160 and PA-28-180 with serial numbers 28-1 to 28-5427 inclusive, PA-28R-180 with serial numbers 28R-30005 to 28R-31250 inclusive, PA-28-140 with serial numbers 28-20002 to 28-24999 inclusive, and PA-28-235 with serial numbers 28-10003 to 28-11185 inclusive.</p> <p>D - Used on PA-28-235 airplanes only.</p> <p>E - Used on PA-28-150, PA-28-160 and PA-28-180 with serial numbers 28-1761 to 28-4377 inclusive, and PA-28-235 with serial numbers 28-10487 to 28-10719 inclusive.</p> <p>F - Used on PA-28-140 airplanes only.</p> <p>G - When ordering, specify color brown or gray.</p> <p>H - Used on PA-28-150, PA-28-160 and PA-28-180 airplanes only.</p>						

When ordering, always specify Part Number, Description, and Serial Number of Aircraft

PIPER PARTS CATALOG

Figure and Index Number	Part Number	Code	NOMENCLATURE	No. Req.	SERIAL NUMBERS AFFECTED
24 -79	63187-011	B	PANEL - Door, top, sand	1	
	63187-012	D	PANEL - Door, top, white	1	
-80	76162-000	C	PANEL - Door, top, white	1	28R-7235001 to 28R-7235330 incl.
	419-683		SCREW - Door panel, top (4 x 1/2)	5	28-6 and up
	494-001		WASHER - Door panel, top (4 Finishing)	5	28-6 and up
-81	63151-002	E	COVER - Door trim, window, bottom	1	
	76193-000	C	COVER - Door trim, window, bottom	1	28R-7235001 to 28R-7235330 incl.
	63151-003	E	COVER - Door trim, window, top	1	
	76193-002	C	COVER - Door trim, window, top	1	28R-7235001 to 28R-7235330 incl.
	78082-004	F	COVER - Door trim, window, complete	1	28-7325001 to 28-7325684 incl.
	79209-009	F	COVER - Door trim, window, complete	1	28-7425001 and up
	78082-005	H	COVER - Door trim, window, complete	1	
	79209-010	G	COVER - Door trim, window, complete	1	
	<p>A - Used on PA-28-140 with serial numbers 28-20002 to 28-7625030 inclusive, PA-28-150, PA-28-160 and PA-28-180 with serial numbers 28-1 to 28-7505261 inclusive, PA-28-235 with serial numbers 28-10003 to 28-7610020 inclusive, PA-28R-180 and PA-28R-200 with serial numbers 28R-30482, 28R-35001 to 28R-7635017 inclusive.</p> <p>B - Used on PA-28-150, PA-28-160 and PA-28-180 with serial numbers 28-1761 to 28-5600 inclusive, PA-28-235 with serial numbers 28-10003 to 28-11300 inclusive, PA-28R-180 with serial numbers 28R-30005 to 28R-31250 inclusive, PA-28R-200 with serial numbers 28R-30482, 28R-35001 to 28R-35600 inclusive, and PA-28-140 with serial numbers 28-21046 to 28-7125194 inclusive.</p> <p>C - Used on PA-28R-200 airplanes only.</p> <p>D - Used on PA-28-140 with serial numbers 28-7125195 to 28-7225612 inclusive, PA-28-180 with serial numbers 28-5601 to 28-7205328 inclusive, PA-28-235 with serial numbers 28-11301 to 28-7210033 inclusive, PA-28R-180 with serial numbers 28R-31251 to 28R-7130019 inclusive, and PA-28R-200 with serial numbers 28R-35601 to 28R-7135238 inclusive.</p> <p>E - Used on PA-28-140 with serial numbers 28-20002 to 28-7225612 inclusive, PA-28-150, PA-28-160 and PA-28-180 with serial numbers 28-1 to 28-7205328 inclusive, PA-28-235 with serial numbers 28-10003 to 28-10719 inclusive, PA-28R-180 with serial numbers 28R-30005 to 28R-7130019 inclusive, and PA-28R-200 with serial numbers 28R-30482, 28R-35001 to 28R-7135238 inclusive.</p> <p>F - Used on PA-28-140 airplanes only.</p> <p>G - Used on PA-28-180 with serial numbers 28-7405001 and up, PA-28-235 with serial numbers 28-7410001 and up, and PA-28R-200 with serial numbers 28R-7435001 and up.</p> <p>H - Used on PA-28-180 with serial numbers 28-7305001 to 28-7305611 inclusive, PA-28-235 with serial numbers 28-7310001 to 28-7310187 inclusive, and PA-28R-200 with serial numbers 28R-7335001 to 28R-7335455 inclusive.</p>				

When ordering, always specify Part Number, Description, and Serial Number of Aircraft

PIPER PARTS CATALOG

Figure and Index Number	Part Number	Code	NOMENCLATURE	No. Req.	SERIAL NUMBERS AFFECTED
24 -82	78057-000	E,H	RETAINER - Door panel	1	
-83	63034-000	G	LATCH ASSEMBLY - Door, auxiliary, sand handle	1	
	63034-002	G	LATCH ASSEMBLY - Door, auxiliary, white handle	1	
	96919-000	F	LATCH ASSEMBLY - Door, auxiliary, white handle	1	
-84	62833-006	D	WASHER	1	
-85	63035-000	C	PAN - Door latch	1	
	68180-000	B	PAN - Door latch	1	
-86	63036-000	D	HOOK ASSEMBLY - Door latch	1	
-87	63041-000	C	PLATE - Door latch	1	
	68179-000	B	PLATE - Door latch	1	
-88	63041-002	C	PLATE - Door latch	1	
	68179-002	B	PLATE - Door latch	1	
-89	63042-000		CAM - Door latch	1	28-20002 to 28-24999
	63042-003	G	CAM - Door latch	1	
	63042-002	F	CAM - Door latch	1	
-90	63045-000	D	SPRING - Door latch	1	
-91	63900-050	D	BUSHING	3	
<p>A - Used on PA-28-140 with serial numbers 28-20002 to 28-7625030 inclusive, PA-28-150, PA-28-160 and PA-28-180 with serial numbers 28-1 to 28-7505261 inclusive, PA-28-235 with serial numbers 28-10003 to 28-76100-20 inclusive, PA-28R-180 and PA-28R-200 with serial numbers 28R-30482, 28R-35001 to 28R-7635017 inclusive.</p> <p>B - Used on PA-28-150, PA-28-160 and PA-28-180 with serial numbers 28-2578 and up, PA-28-140 with serial numbers 28-21096 and up, PA-28-235 with serial numbers 28-10736 and up, PA-28R-180 and PA-28R-200 airplanes.</p> <p>C - Used on PA-28-150, PA-28-160 and PA-28-180 with serial numbers 28-991 to 28-2577 inclusive, PA-28-235 with serial numbers 28-10003 to 28-10735 inclusive, and PA-28-140 with serial numbers 28-20002 to 28-21095 inclusive.</p> <p>D - Used on airplanes with serial numbers 28-991 and up.</p> <p>E - Used on PA-28-140 with serial numbers 28-7325001 to 28-7325684 inclusive.</p> <p>F - Used on PA-28-180 with serial numbers 28-7305001 and up, PA-28-235 with serial numbers 28-7310001 and up, and PA-28R-200 with serial numbers 281-7235001 and up.</p> <p>G - Used on PA-28-140 with serial numbers 28-25000 and up, PA-28-150, PA-28-160 and PA-28-180 with serial numbers 28-991 to 28-7205328 inclusive, PA-28R-180 with serial numbers 28R-30005 to 28R-7130019 inclusive, PA-28R-200 with serial numbers 28R-30482, 28R-35001 to 28R-7135238 inclusive, and PA-28-235 with serial numbers 28-10003 to 28-7210033 inclusive.</p> <p>H - Used on PA-28-180 with serial numbers 28-7305001 to 28-7305611 inclusive, PA-28-235 with serial numbers 28-7310001 to 28-7310187 inclusive, and PA-28R-200 with serial numbers 28R-7335001 to 28R-7335455 inclusive.</p>					

When ordering, always specify Part Number, Description, and Serial Number of Aircraft

PIPER PARTS CATALOG

Figure and Index Number	Part Number	Code	NOMENCLATURE	No. Req.	SERIAL NUMBERS AFFECTED
24 -92	414-769	F	SCREW - (AN507-832R14)	3	
	404-529	F	NUT - (MS21042-08)	3	
-93	690-631	F	WASHER - (NAS1149F0863P)	1	
-94	63039-002	F	HANDLE - Door, auxiliary, sand	1	
	63039-000	F	HANDLE - Door, auxiliary, white	1	
-95	415-179		SCREW - (AN526C-832R8)	1	
	690-619	F	WASHER - Door handle (NAS1149F0532P)	1	
-95a	96869-000	D	ROD ASSEMBLY - Upper latch	1	
-95b	96870-000	D	BRACKET ASSEMBLY - Rod attachment	1	
-95c	96868-000	D	PIN - Upper latch	1	
-95d	484-830	D	RING - Retainer (5115-25MD)	1	
-95e	404-224	D	NUT - (AN315-3R)	1	
-96	63039-000	F	HANDLE - Door, auxiliary, white	1	
-97	415-378		SCREW - (MS51957-45)	1	
	690-643		WASHER - (NAS1149C0532P)	1	
-98	14843-070		BUSHING - Door latch	1	28-1 to 28-670 inclusive
-99	65668-000	C	PANEL - Door window, sand	1	28-10720 to 28-11300 incl.
	65668-002	C	PANEL - Door window, white	1	28-11301 to 28-7210033 incl.
-100	62833-020	E	WASHER - Door handle	1	
-101	65177-000	C	RETAINER - Inner window	1	28-10720 to 28-7210033 incl.
-101a	96864-000	B,G	CLAMP - Lower door latch	2	
<p>A - Used on PA-28-140 with serial numbers 28-20002 to 28-7625030 inclusive, PA-28-150, PA-28-160 and PA-28-180 with serial numbers 28-1 to 28-7505261 inclusive, PA-28-235 with serial numbers 28-10003 to 28-7610020 inclusive, PA-28R-180 and PA-28R-200 with serial numbers 28R-30482, 28R-35001 to 28R-7635017 inclusive.</p> <p>B - Used on PA-28-140 with serial numbers 28-7325033 and up, PA-28-180 with serial numbers 28-7305001 and up, PA-28-235 with serial numbers 28-7310001 and up, and PA-28R-200 with serial numbers 28R-7235001 and up.</p> <p>C - Used on PA-28-235 airplanes only.</p> <p>D - Used on PA-28-180 with serial numbers 28-7305001 and up, PA-28-235 with serial numbers 28-7310001 and up, and PA-28R-200 with serial numbers 28R-7235001 and up.</p> <p>E - Used on PA-28-180 with serial numbers 28-4378 to 28-5427 inclusive, PA-28-235 with serial numbers 28-10720 to 28-11185 inclusive, and PA-28R-180 with serial numbers 28R-30005 to 28R-30481 inclusive, and 28R-30482 to 28R-31250 inclusive.</p> <p>F - Used on airplanes with serial numbers 28-991 and up.</p> <p>G - Used on PA-28-140 with serial numbers 28-25000 to 28-7325032 inclusive, PA-28-180 with serial numbers 28-5428 to 28-7205328 inclusive, PA-28-235 with serial numbers 28-11186 to 28-7210033 inclusive, PA-28R-180 with serial numbers 28R-31251 to 28R-7130019 inclusive, and PA-28R-200 with serial numbers 28R-30482, 28R-35001 to 28R-7135238 inclusive if lower door latch is installed.</p>					

When ordering, always specify Part Number, Description, and Serial Number of Aircraft

PIPER PARTS CATALOG

Figure and Index Number	Part Number	Code	NOMENCLATURE	No. Req.	SERIAL NUMBERS AFFECTED
24 -102	459-441	C	ESCUTCHEON - (113-837-239B)	1	
-103	581-489	C	TRIM PLATE - Black (311-837-247)	1	
-104	66647-000	F	SPACER - Door handle	1	
-105	66648-000	G	SPACER - Door handle	1	
-106	410-023	C	SCREW - (MS24694-S6)	1	
	494-141	C	WASHER - (N00-012-1131)	1	
-107	489-388	B	ASH RECEIVER - (Complete) Chrome (2A20580)	1	
-108	62833-021		WASHER - Neoprene	1	
-109	407-680		WASHER - (AN960C-816)	1	
-110	99990-000	E	CAP - Extrusion end	2	
-111	99997-000	D	EXTRUSION - vinyl	6'	
-112	99943-000	D	RETAINER - Side panel	2	
<p>A - Used on PA-28-140 with serial numbers 28-20002 to 28-7625030 inclusive, PA-28-150, PA-28-160 and PA-28-180 with serial numbers 28-1 to 28-7505261 inclusive, PA-28-235 with serial numbers 28-10003 to 28-7610020 inclusive, PA-28R-180 and PA-28R-200 with serial numbers 28R-30482, 28R-35001 to 28R-7635017 inclusive.</p> <p>B - Used on PA-28R-200 with serial numbers 28R-30482, 28R-35001 to 28R-35600 inclusive.</p> <p>C - Used on PA-28-140 with serial numbers 28-25000 and up, PA-28-235 with serial numbers 28-11186 and up, PA-28-180 with serial numbers 28-5428 and up, PA-28R-180 with serial numbers 28R-31251 and up, and PA-28R-200 with serial numbers 28R-30482, 28R-35001 and up.</p> <p>D - Used on PA-28-140 with serial numbers 28-7325001 and up, PA-28-180 with serial numbers 28-7305001 and up, PA-28-235 with serial numbers 28-7310001 and up, and PA-28R-200 with serial numbers 28R-7335001 and up.</p> <p>E - Used on PA-28-140 with serial numbers 28-7325001 to 28-7325684 inclusive, PA-28-180 with serial numbers 28-7305001 to 28-7305611 inclusive, PA-28-235 with serial numbers 28-7310001 to 28-7310187 inclusive, and PA-28R-200 with serial numbers 28R-7335001 to 28R-7335455 inclusive.</p> <p>F - Used on PA-28-140 with serial numbers 28-25000 and up, PA-28-235 with serial numbers 28-11186 to 28-7210033 inclusive, PA-28-180 with serial numbers 28-5428 to 28-7205328 inclusive, PA-28R-180 with serial numbers 28R-31251 and up, and PA-28R-200 with serial numbers 28R-30482, 28R-35001 to 28R-7135238 inclusive.</p> <p>G - Used on PA-28-140 with serial numbers 28-25000 and up, PA-28-235 with serial numbers 28-11186 to 28-7210033 inclusive, PA-28-180 with serial numbers 28-5428 to 28-7205328 inclusive, PA-28R-180 with serial numbers 28R-31251 to 28R-7130019 inclusive, and PA-28R-200 with serial numbers 28R-30482, 28R-35001 to 28R-7135238 inclusive.</p>					

When ordering, always specify Part Number, Description, and Serial Number of Aircraft

PIPER PARTS CATALOG

Figure and Index Number	Part Number	Code	NOMENCLATURE	No. Req.	SERIAL NUMBERS AFFECTED	
24 -113	401-266	D,E	* BOLT - (AN3-5A)	1		
	690-612	D,E	* WASHER - (NAS1149F0363P)	1		
	404-526	D,E	* NUT - (MS21042-3)	1		
	-114		PIN - Baggage door hinge	1		
	-115		WASHER - Door holder	2		
	-116		DOOR HOLDER ASSEMBLY	1		
	-117		PIN - Door support	1	28-195 to 28-990 inclusive	
	-118		PLATE - Door lock pin guide	1	28-195 to 28-990 inclusive	
	-119		BUMPER - Beige (Y-3020)	2		
			BUMPER - White (Y-3020)	2		
	-120		BUSHING - Door holder	2	28-1 to 28-1350 inclusive	
			BUSHING - Door holder	2	28-1351 and up	
			<p>A - Used on PA-28-140 with serial numbers 28-20002 to 28-7625030 inclusive, PA-28-150, PA-28-160 and PA-28-180 with serial numbers 28-1 to 28-7505261 inclusive, PA-28-235 with serial numbers 28-10003 to 28-7610020 inclusive, PA-28R-180 and PA-28R-200 with serial numbers 28R-30482, 28R-35001 to 28R-7635017 inclusive.</p> <p>B - Used on PA-28-150, PA-28-160 and PA-28-180 with serial numbers 28-991 to 28-5600 inclusive, PA-28-140 with serial numbers 28-20002 to 28-26400 inclusive, PA-28R-180 with serial numbers 28R-30005 to 28R-30481 inclusive, 28R-30483 to 28R-31250 inclusive, PA-28R-200 with serial numbers 28R-30482, 28R-35001 to 28R-35600 inclusive, and PA-28-235 with serial numbers 28-10003 to 28-11300 inclusive.</p> <p>C - Used on PA-28-180 with serial numbers 28-5601 and up, PA-28R-180 with serial numbers 28R-31251 and up, PA-28R-200 with serial numbers 28R-35601 and up, PA-28-235 with serial numbers 28-11301 and up, and PA-28-140 with serial numbers 28-26401 and up.</p> <p>D - Used on PA-28-140 with serial numbers 28-25000 to 28-7325032 inclusive, PA-28-180 with serial numbers 28-5428 to 28-7205328 inclusive, PA-28-235 with serial numbers 28-11186 to 28-7210033 inclusive, PA-28R-180 with serial numbers 28R-31251 to 28R-7130019 inclusive, and PA-28R-200 with serial numbers 28R-30482, 28R-35001 to 28R-7135238 inclusive if lower door latch is installed.</p> <p>E - Used on PA-28-140 with serial numbers 28-7325033 and up, PA-28-180 with serial numbers 28-7305001 and up, PA-28-235 with serial numbers 28-7310001 and up, and PA-28R-200 with serial numbers 28R-7235001 and up.</p>			

When ordering, always specify Part Number, Description, and Serial Number of Aircraft

THIS PAGE INTENTIONALLY LEFT BLANK

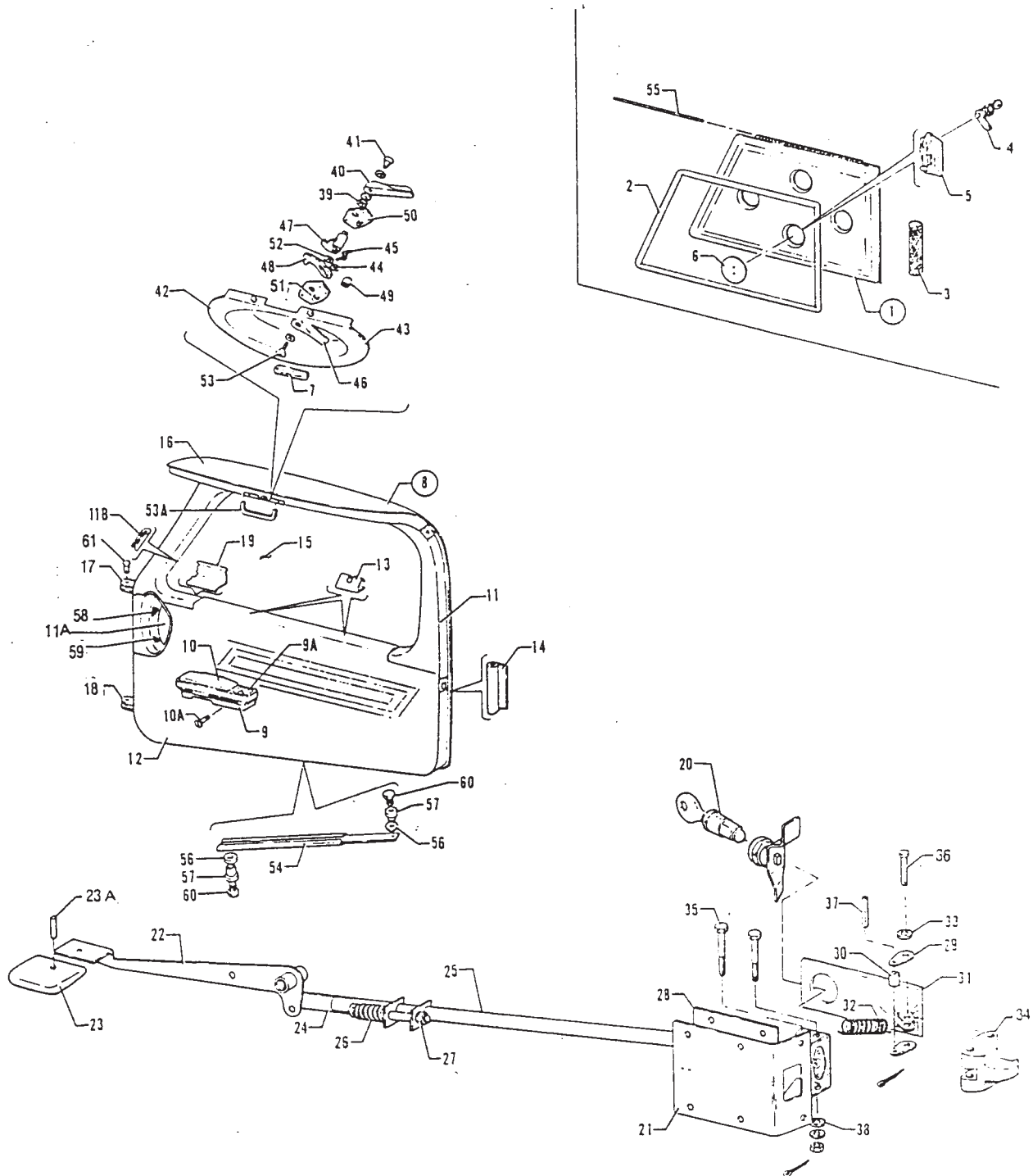


Figure 24A. Cabin and Baggage Door Installation
 (PA-28-140 - Serial Nos. 28-7625031 and up)
 (PA-28-235 - Serial Nos. 28-7610021 and up)
 (PA-28R-200 - Serial Nos. 28R-7635018 and up)

THIS PAGE INTENTIONALLY LEFT BLANK

PIPER PARTS CATALOG

Figure and Index Number	Part Number	Code	NOMENCLATURE	No. Req.	SERIAL NUMBERS AFFECTED
24A-	79546		DRAWING - Doors Installation		
-1	66793-018	G	DOOR ASSEMBLY - Baggage compartment (bonded) (less lock assembly)	1	
-2	19063-002		* MOLDING - Baggage door (quarter-round type)	9'	
	189-139		* MOLDING - Baggage door (bulb type)	9'	
-3	65440-801		* STRAP ASSEMBLY - Baggage door (11" L)	1	
	65440-007		* STRAP ASSEMBLY - Baggage door (11.75" L)	1	
-6	87329-008	E,G	* LOCK ASSEMBLY - Baggage door	1	
-5	472-010		* LATCH - Push button (H38-.064-.460)	1	
-4	12761-002		* COVER - ASSEMBLY - Lock access (4.75 dia.)	1	
	79452-000		* COVER - Lock access (5.75 dia.)	1	
-7	68555-005		PLACARD - Door lock	1	
-8	79545-000	B,D	DOOR ASSEMBLY - Complete (less lock assembly)	1	
	79545-002	B,F	DOOR ASSEMBLY - Complete (less lock assembly)	1	28-7610021 to 28-7610206 incl.
	79545-003	B,H	DOOR ASSEMBLY - Complete (less lock assembly)	1	
-9	66710-017		* HOLDER ASSEMBLY - Armrest	1	
-9a	763-003		** BOX ASSEMBLY - Ash tray (S-25-AR-C)	1	
-10	66710-044	C,J	* PAD - Armrest	1	
	580-730	K	* PAD - Armrest, mushroom	1	
	580-731	K	* PAD - Armrest, camel	1	
-10a	419-594		* SCREW - (AN530-10R36)	2	
<p>A - Used on PA-28-140 with serial numbers 28-7625031 and up, PA-28-235 with serial numbers 28-7610021 and up, and PA-28R-200 with serial numbers 28R-7635018 and up.</p> <p>B - Complete door assembly not available. Order component parts.</p> <p>C - When ordering, specify color red, blue/green, gold, black or green.</p> <p>D - Used on PA-28-140 airplanes only.</p> <p>E - Order Kit 87329-03 if matching cabin door lock, baggage door lock and ignition switch are desired.</p> <p>F - Used on PA-28-235 airplanes only.</p> <p>G - Used on PA-28-235 with serial numbers 28-7610021 and up, and PA-28R-200 with serial numbers 28R-7635018 and up.</p> <p>H - Used on PA-28-235 with serial numbers 28-7710001 and up and PA-28R-200.</p> <p>J - Used on PA-28-140 with serial numbers 28-7625031 to 28-7625234 inclusive, PA-28-235 with serial numbers 28-7610021 to 28-7610206 inclusive, and PA-28R-200 with serial numbers 28R-7635018 to 28R-7635503 inclusive.</p> <p>K - Used on PA-28-140 with serial numbers 28-7725001 and up, PA-28-235 with serial numbers 28-7710001 and up, and PA-28R-200 with serial numbers 28R-7635504 and up.</p>					

When ordering, always specify Part Number, Description, and Serial Number of Aircraft

PIPER PARTS CATALOG

Figure and Index Number	Part Number	Code	NOMENCLATURE	No. Req.	SERIAL NUMBERS AFFECTED
24A-11	79542-003	D	* COVER - Cabin door, upper, white	1	
	79542-004	E,F	* COVER - Cabin door, upper, white	1	
-11a	79542-005	D,G	* PAN - Door latch	1	
	79542-006	E,F,G	* PAN - Door latch	1	
-11b	99997-000		* EXTRUSION - Vinyl	7	
-12	579-607	D	* PANEL ASSEMBLY - Cabin door trim, red	1	28-7625031 to 28-7625284 incl.
	579-616	C	* PANEL ASSEMBLY - Cabin door trim, red	1	
	579-621	F	* PANEL ASSEMBLY - Cabin door trim, red	1	28R-7635018 to 28R-7635503 incl.
	579-610	D	* PANEL ASSEMBLY - Cabin door trim, blue/green	1	28-7625031 to 28-7625284 incl.
	579-617	C	* PANEL ASSEMBLY - Cabin door trim, blue/green	1	
	579-622	F	* PANEL ASSEMBLY - Cabin door trim, blue/green	1	28R-7635018 to 28R-7635503 incl.
	579-608	D	* PANEL ASSEMBLY - Cabin door trim, gold	1	28-7625031 to 28-7625284 incl.
	579-618	C	* PANEL ASSEMBLY - Cabin door trim, gold	1	
	579-623	F	* PANEL ASSEMBLY - Cabin door trim, gold	1	28R-7635018 to 28R-7635503 incl.
	579-619	C	* PANEL ASSEMBLY - Cabin door trim, black	1	
	579-624	F	* PANEL ASSEMBLY - Cabin door trim, black	1	28R-7635018 to 28R-7635503 incl.
	579-609	D	* PANEL ASSEMBLY - Cabin door trim, green	1	28-7625031 to 28-7625284 incl.
	579-620	C	* PANEL ASSEMBLY - Cabin door trim, green	1	
	579-625	F	* PANEL ASSEMBLY - Cabin door trim, green	1	28R-7635018 to 28R-7635503 incl.
	580-717	D	* PANEL ASSEMBLY - Cabin door trim, mushroom/black	1	28-7725001 and up
	580-785	D	* PANEL ASSEMBLY - Cabin door trim, camel/black	1	28-7725001 and up
	580-710	B	* PANEL ASSEMBLY - Cabin door trim, white/camel/black	1	
-13	99943-000		* RETAINER - Side panel	2	
-14	78741-002		* MOLDING - Cabin door (bulb type) 12.5' long	13'	
-15	79475-005	D	* WINDOW - Cabin door (.080 thick), clear	1	
	79475-020	E,F	* WINDOW - Cabin door (.080 thick), clear	1	
	79475-056	D	* WINDOW - Cabin door (.125 thick), clear	1	
	79475-059	E,F	* WINDOW - Cabin door (.125 thick), clear	1	
	79475-055	D	* WINDOW - Cabin door (.080 thick), tinted	1	
	79475-058	E,F	* WINDOW - Cabin door (.080 thick), tinted	1	
	79475-057	D	* WINDOW - Cabin door (.125 thick), tinted	1	
	79475-060	E,F	* WINDOW - Cabin door (.125 thick), tinted	1	
-16	79475-000	D,H	* DOOR ASSEMBLY - Cabin (less window/lock assembly)	1	
	79475-016	E,F,H	* DOOR ASSEMBLY - Cabin (less window/lock assembly)	1	
-17	79475-007		** HINGE - Cabin door, upper	1	

A - Used on PA-28-140 with serial numbers 28-7625031 and up, PA-28-235 with serial numbers 28-7610021 and up, and PA-28R-200 with serial numbers 28R-7635018 and up.
 B - Used on PA-28-235 with serial numbers 28-7710001 and up, and PA-28R-200 with serial numbers 28R-7635504 and up.
 C - Used on PA-28-235 with serial numbers 28-7610021 to 28-7610206 inclusive.
 D - Used on PA-28-140 airplanes only.
 E - Used on PA-28-235 airplanes only.
 F - Used on PA-28R-200 airplanes only.
 G - When ordering, specify color red, blue-green, gold, black, green or bark. Specify color "bark I" for PA-28-140 with serial numbers 28-7725001 to 28-7725174 inclusive, PA-28-235 with serial numbers 28-7710001 to 28-7710010 inclusive, and PA-28R-200 with serial numbers 28R-7635504 and up. Specify color "bark II" for PA-28-140 with serial numbers 28-7725175 and up, and PA-28-235 with serial numbers 28-7710011 and up.
 H - Reference latest revision of Piper Service Letter 864 on Forward Cabin Door Stop (Striker Plate) Installation. The door handle can damage the fuselage or cowling if plate is not installed.

When ordering, always specify Part Number, Description, and Serial Number of Aircraft

PIPER PARTS CATALOG

Figure and Index Number	Part Number	Code	NOMENCLATURE	No. Req.	SERIAL NUMBERS AFFECTED
24A-18	79475-008		** HINGE - Cabin door, lower	1	
-19	79475-009	B	** RETAINER - Window	1	
	79475-022	C,D	** RETAINER - Window	1	
	87329-007	D	LOCK ASSEMBLY - Cabin door	1	
-20	419-967		** SCREW - Set (1/4-28 x 1/4" L)	1	
-21	79515-035	E	** COVER - Cabin door latch	1	
-22	79515-013		** HANDLE - Cabin door	1	
-23	79647-002		** KNOB - Door handle	1	
	486-145		** SCREW - Set (1/4-20 x 1/4" L)	1	
-24	79515-003	B,E	** LATCH ASSEMBLY - Door	1	
	79515-004	C,D,E	** LATCH ASSEMBLY - Door	1	
-25	79515-005	B,E	*** TUBE ASSEMBLY - Door latch	1	
	79515-006	C,D,E	*** TUBE ASSEMBLY - Door latch	1	
-26	587-398		*** SPRING - Door latch tube	1	
-27	400-112		*** BOLT - (AN4-17)	1	
	690-611		*** WASHER - (NAS1149F0463P)	3	
	404-101		*** NUT - (AN310-4)	1	
	424-051		*** COTTER PIN - (MS24665-132)	1	
-28	79515-007		*** BOX ASSEMBLY - Door latch	1	
-29	79515-008		*** LINK - Door latch mechanism	2	
-30	79515-015	E	*** BUSHING - Door latch mechanism	1	
-31	79530-002	E	*** HANDLE - Door Latch mechanism	1	
-32	587-381		*** SPRING - (EO240-037-17505)	1	
-33	62833-105		*** WASHER - Door latch mechanism	1	
-34	79532-002		*** LATCH - Cabin door	1	
-35	400-665		*** BOLT - (AN21-31)	2	
	690-640		*** WASHER - (NAS1149FN632P)	2	
	404-391		*** NUT - (AN320-1)	2	
	424-041		*** COTTER PIN - (MS24665-5)	2	
-36	424-178		*** PIN - (MS20392-2C19)	1	
	424-041		*** COTTER PIN - (MS24665-5)	1	
-37	480-800		*** PIN - Spring (MS9048-111)	1	
-38	690-639		*** WASHER - (NAS1149FN616P)	2	
-39	62833-021		** WASHER - Neoprene	1	
-40	63039-000		** HANDLE - Door, auxiliary latch	1	
			A - Used on PA-28-140 with serial numbers 28-7625031 and up, PA-28-235 with serial numbers 28-7610021 and up, and PA-28R-200 with serial numbers 28R-7635018 and up.		
			B - Used on PA-28-140 airplanes only.		
			C - Used on PA-28-235 airplanes only. Cabin door lock unlocks in a counterclockwise direction. If matching cabin door lock, baggage door lock and ignition switch are desired, order Parts Kit 470-728.		
			D - Used on PA-28R-200 airplanes only. Cabin door lock unlocks in a clockwise direction. If matching cabin door lock, baggage door lock and ignition switch are desired, order Kit 87329-03 for PA-28-235 and PA-28R-200. Order Kit 87329-02 for PA-28-140 only.		
			E - Reference Service Letter 620 for instruction on Forward Cabin Door Reinforcement using Kit 760 729. Use in PA-28-140 with serial numbers 28-20001 to 28-7325229 inclusive, PA-28-150/160/180 Cherokees with serial numbers 28-03 and 28-1 to 28-7205318 inclusive, PA-28-235 Cherokees with serial numbers 28-10001 to 28-7210023 inclusive, PA-28R-180 Cherokee Arrows with serial numbers 28R-30002 to 28R-7130013 inclusive and PA-28R-200 Cherokee Arrows with serial numbers 28R-35001 to 28R-7135299 inclusive.		

When ordering, always specify Part Number, Description, and Serial Number of Aircraft

PIPER PARTS CATALOG

Figure and Index Number	Part Number	Code	NOMENCLATURE	No. Req.	SERIAL NUMBERS AFFECTED
24A-41	519-853		** SCREW - (MS24622-43)	1	
	62833-021		** WASHER - Neoprene	1	
	62833-107		** WASHER - Teflon	1	
	407-680		** WASHER - (AN960C-816)	1	
-42	79475-033		** LATCH ASSEMBLY - Door, auxiliary	1	
-43	79475-034		*** PAN - Door latch, white	1	
-44	62833-006		*** WASHER	1	
-45	63045-000		*** SPRING - Door latch	1	
-46	63039-000		*** HANDLE - Door, auxiliary	1	
-47	63042-000		*** CAM - Door latch	1	
-48	63036-003		*** HOOK ASSEMBLY - Door latch	1	
-49	63900-050		*** BUSHING	3	
-50	68179-000		*** PLATE - Door latch	1	
-51	68179-002		*** PLATE - Door latch	1	
-52	407-569		*** WASHER - (AN960-816)	1	
-53	415-378		*** SCREW - (MS51957-45)	1	
	407-586		*** WASHER - (AN960-516L)	1	
	62833-107		*** WASHER - Teflon	1	
-53a	464-412	B	* HANDLE - Door Assist	1	
-54	65727-000		DOOR HOLDER ASSEMBLY	1	
-55	62400-002		PIN - Baggage door hinge	1	
-56	62833-039		WASHER - Door holder	2	
-57	63020-002		BUSHING - Door holder	2	
-58	69669-117		PLACARD - Open	1	
-59	69669-118		PLACARD - Latch	1	
-60	400-862		BOLT - (AN23-10A)	2	
-61	424-204		PIN - (MS20392-3C13)	2	
	690-613		WASHER - (NAS1149F0432)	4	
	424-051		COTTER PIN - (MS24665-132)	2	
-62	752-301	C	LOCK ASSEMBLY - Cabin door	1	
			A - Used on PA-28-140 with serial numbers 28-7625031 and up, PA-28-235 with serial numbers 28-7610021 and up, and PA-28R-200 with serial numbers 28R-7635018 and up.		
			B - Used on PA-28-235 and PA-28R-200 only.		

When ordering, always specify Part Number, Description, and Serial Number of Aircraft

PIPER PARTS CATALOG

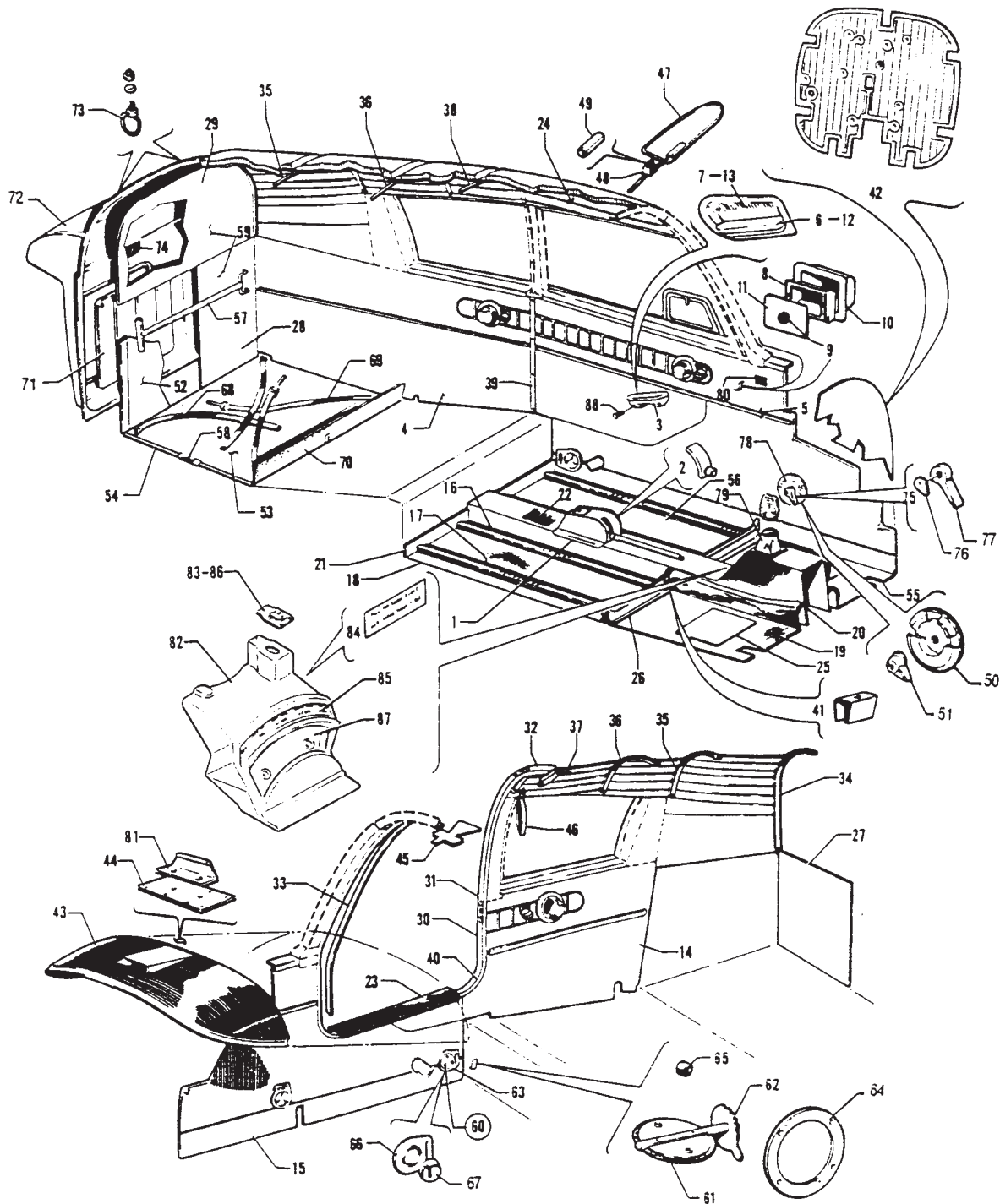


Figure 25. Cockpit Finishing Installation
 (PA-28-150-160-180 - Serial Nos. 28-1 to 28-4377 inclusive)
 (PA-28-235 - Serial Nos. 28-10003 to 28-11039 inclusive)

PA-28-150
 PA-28-160
 PA-28-180
 PA-28-235

THIS PAGE INTENTIONALLY LEFT BLANK

PIPER PARTS CATALOG

Figure and Index Number	Part Number	Code	NOMENCLATURE	No. Req.	SERIAL NUMBERS AFFECTED
25-	63106	B	DRAWING - Cockpit Finishing Installation		28-1 to 28-1760 inclusive
	62204	B	DRAWING - Cockpit Finishing Installation		28-1761 to 28-2477 inclusive
	65091	C	DRAWING - Cockpit Finishing Installation		28-10003 to 28-10486 inclusive
	62883	C	DRAWING - Cockpit Finishing Installation		28-10487 to 28-10675 inclusive
	65615	B	DRAWING - Cockpit Finishing Installation		28-2478 to 28-4377 inclusive
	65477	C	DRAWING - Cockpit Finishing Installation		28-10676 to 28-10719 inclusive
	65564	C	DRAWING - Cockpit Finishing Installation		28-10720 to 28-11039 inclusive
-1	62826-000	B	COVER - Flap handle, brown	1	28-1 to 28-1760 inclusive
	62826-002	B	COVER - Flap handle, black	1	28-671 to 28-1760 inclusive
	65224-002	D	COVER - Flap handle, brown	1	
	65670-003	C	COVER - Flap handle, brown	1	28-10720 to 28-11039 inclusive
	65224-003	C	COVER - Flap handle, red	1	28-10003 to 28-10486 inclusive
	65224-006	E	COVER - Flap handle, red	1	
	65670-002	C	COVER - Flap handle, red	1	28-10720 to 28-11039 inclusive
	65224-004	D	COVER - Flap handle, blue	1	
	65670-004	C	COVER - Flap handle, blue	1	28-10720 to 28-11039 inclusive
-2	62827-007	F	SHIELD - Flap handle	1	
	65672-005	G	SHIELD - Flap handle	1	
-3	63008-002	B	ARMREST - Brown	1	28-1 to 28-1760 inclusive
	63008-005	B	ARMREST - Gray	1	28-671 to 28-1760 inclusive
-4	63111-005		PANEL ASSEMBLY - Left, rear, side trim, brown	1	28-1 to 28-130 inclusive
	63111-018		PANEL ASSEMBLY - Left, rear, side trim, brown	1	28-131 to 28-670 inclusive
	63169-000	B	PANEL ASSEMBLY - Left, rear, side trim, gray	1	28-671 to 28-1760 inclusive
	65288-002	C	PANEL ASSEMBLY - Left, rear, side trim, red	1	28-10003 to 28-10094 inclusive
	65288-003	C	PANEL ASSEMBLY - Left, rear, side trim, brown	1	28-10003 to 28-10094 inclusive
	65288-004	C	PANEL ASSEMBLY - Left, rear, side trim, blue	1	28-10003 to 28-10094 inclusive
	65288-005	C	PANEL ASSEMBLY - Left, rear, side trim, red	1	28-10095 to 28-10675 inclusive
	65288-006	C	PANEL ASSEMBLY - Left, rear, side trim, brown	1	28-10095 to 28-10675 inclusive
	65288-007	C	PANEL ASSEMBLY - Left, rear, side trim, blue	1	28-10095 to 28-10675 inclusive
			A - Used on PA-28-150, PA-28-160 and PA-28-180 with serial numbers 28-1 to 28-4377 inclusive, and PA-28-235 with serial numbers 28-10003 to 28-11039 inclusive.		
			B - Used on PA-28-150, PA-28-160 and PA-28-180 only.		
			C - Used on PA-28-235 airplanes only.		
			D - Used on PA-28-150, PA-28-160 and PA-28-180 with serial numbers 28-1761 to 28-4377 inclusive, and PA-28-235 with serial numbers 28-10003 to 28-10719 inclusive.		
			E - Used on PA-28-150, PA-28-160 and PA-28-180 with serial numbers 28-1761 to 28-4377 inclusive, and PA-28-235 with serial numbers 28-10-10487 to 28-10719 inclusive.		
			F - Used on PA-28-150, PA-28-160 and PA-28-180 with serial numbers 28-1 to 28-4377 inclusive, and PA-28-235 with serial numbers 28-10003 to 28-10719 inclusive.		
			G - Used on PA-28-235 with serial numbers 28-10720 to 28-11039 inclusive.		

When ordering, always specify Part Number, Description, and Serial Number of Aircraft

PA-28-150
PA-28-160
PA-28-180
PA-28-235

PIPER PARTS CATALOG

Figure and Index Number	Part Number	Code	NOMENCLATURE	No. Req.	SERIAL NUMBERS AFFECTED	
25 -4	65288-005		PANEL ASSEMBLY - Left, rear, side trim, red	1	28-1761 to 25-2477 inclusive	
	65288-006	B	PANEL ASSEMBLY - Left, rear, side trim, brown	1	28-1761 to 28-2477 inclusive	
	65288-007	B	PANEL ASSEMBLY - Left, rear, side trim, blue	1	28-1761 to 28-2477 inclusive	
	65613-002	E	PANEL ASSEMBLY - Left, rear, side trim, red	1		
	65613-003	E	PANEL ASSEMBLY - Left, rear, side trim, brown	1		
	65613-004	E	PANEL ASSEMBLY - Left, rear, side trim, blue	1		
	65677-002	F	PANEL ASSEMBLY - Left, rear, side trim, red	1	28-10720 to 28-11039 inclusive	
	65677-003	F	PANEL ASSEMBLY - Left, rear, side trim, brown	1	28-10720 to 28-11039 inclusive	
	65677-004	F	PANEL ASSEMBLY - Left, rear, side trim, blue	1	28-10720 to 28-11039 inclusive	
	65613-005	B	PANEL ASSEMBLY - Left, rear, side trim, red	1	28-3443 to 28-11039 inclusive	
	65613-006	B	PANEL ASSEMBLY - Left, rear, side trim, brown	1	28-3443 to 28-4377 inclusive	
	65613-007	B	PANEL ASSEMBLY - Left, rear, side trim, blue	1	28-3443 to 28-4377 inclusive	
	-5	63112-005		PANEL ASSEMBLY - Left, front, side trim, brown	1	28-1 to 28-130 inclusive
		63112-018		PANEL ASSEMBLY - Left, front, side trim, brown	1	28-131 to 28-670 inclusive
		63171-000	B,C	PANEL ASSEMBLY - Left, front, side trim	1	28-671 to 28-1760 inclusive
		65294-002	F	PANEL ASSEMBLY - Left, front, side trim, red	1	28-10003 to 28-10094 inclusive
		65294-003	F	PANEL ASSEMBLY - Left, front, side trim, brown	1	28-10003 to 28-10094 inclusive
		65294-004	F	PANEL ASSEMBLY - Left, front, side trim, blue	1	28-10003 to 28-10094 inclusive
		65294-005	F	PANEL ASSEMBLY - Left, front, side trim, red	1	28-10095 to 28-10486 inclusive
		65294-006	F	PANEL ASSEMBLY - Left, front, side trim, brown	1	28-10095 to 28-10486 inclusive
		65294-007	F	PANEL ASSEMBLY - Left, front, side trim, blue	1	28-10095 to 25-10486 inclusive
		65294-008	F	PANEL ASSEMBLY - Left, front, side trim, red	1	28-10487 to 28-10675 inclusive
		65294-009	F	PANEL ASSEMBLY - Left, front, side trim, brown	1	28-10487 to 28-10675 inclusive
		65294-010	F	PANEL ASSEMBLY - Left, front, side trim, blue	1	28-10487 to 28-10675 inclusive
		62205-002	B	PANEL ASSEMBLY - Left, front, side trim, red	1	28-1761 to 28-2477 inclusive
62205-003		B	PANEL ASSEMBLY - Left, front, side trim, brown	1	28-1761 to 28-2477 inclusive	
62205-004		B	PANEL ASSEMBLY - Left, front, side trim, blue	1	28-1761 to 28-2477 inclusive	
65605-002		B	PANEL ASSEMBLY - Left, front, side trim, red	1	28-2478 to 28-4377 inclusive	
65605-003		B	PANEL ASSEMBLY - Left, front, side trim, brown	1	28-2478 to 28-4377 inclusive	
65605-004		B	PANEL ASSEMBLY - Left, front, side trim, blue	1	28-2478 to 28-4377 inclusive	
65475-002		F	PANEL ASSEMBLY - Left, front, side trim, red	1	28-10676 to 28-10719 inclusive	
65475-003		F	PANEL ASSEMBLY - Left, front, side trim, brown	1	28-10676 to 28-10719 inclusive	
65475-004		F	PANEL ASSEMBLY - Left, front, side trim, blue	1	28-10676 to 28-10719 inclusive	
68456-002		F	PANEL ASSEMBLY - Left, front, side trim, red	1	28-10720 to 28-11039 inclusive	
68456-003		F	PANEL ASSEMBLY - Left, front, side trim, brown	1	28-10720 to 28-11039 inclusive	
68456-004		F	PANEL ASSEMBLY - Left, front, side trim, blue	1	28-10720 to 28-11039 inclusive	
-6		65339-002	D	* ARMREST - Red	1	
	65339-003	D	* ARMREST - Brown	1		
	65339-004	D	* ARMREST - Blue	1		

A - Used on PA-28-150, PA-28-160 and PA-28-180 with serial numbers 28-1 to 28-4377 inclusive, and PA-28-235 with serial numbers 28-10003 to 28-11039 inclusive.

B - Used on PA-28-150, PA-28-160 and PA-28-180 airplanes only.

C - When ordering, specify color brown or gray.

D - Used on PA-28-150, PA-28-160 and PA-28-180 with serial numbers 28-1761 to 28-4377 inclusive, and PA-28-235 with serial numbers 28-10003 to 28-10719 inclusive.

E - Used on PA-28-150, PA-28-160 and PA-28-180 with serial numbers 28-2478 to 28-3442 inclusive, and PA-28-235 with serial numbers 28-10676 to 28-10719 inclusive.

F - Used on PA-28-235 airplanes only.

When ordering, always specify Part Number, Description, and Serial Number of Aircraft

PIPER PARTS CATALOG

Figure and Index Number	Part Number	Code	NOMENCLATURE	No. Req.	SERIAL NUMBERS AFFECTED
25 -7	65238-006	C	* PANEL - Armrest, red	1	28-10003 to 28-10486 inclusive
	65238-002	C	* PANEL - Armrest, brown	1	28-10003 to 28-10486 inclusive
	65238-004	C	* PANEL - Armrest, blue	1	28-10003 to 28-10486 inclusive
	65238-012	C	* PANEL - Armrest, red	1	28-10487 to 28-10719 inclusive
	65238-008	C	* PANEL - Armrest, brown	1	28-10487 to 28-10719 inclusive
	65238-010	C	* PANEL - Armrest, blue	1	28-10487 to 28-10719 inclusive
	65238-012	B	* PANEL - Armrest, red	1	28-1761 to 28-4377 inclusive
	65238-008	B	* PANEL - Armrest, brown	1	28-1761 to 28-4377 inclusive
	65238-010	B	* PANEL - Armrest, blue	1	28-1761 to 28-4377 inclusive
	-8	453-141	E	BOX - Ash	4
-9	65286-005	E	KNOB - Ash box, red	4	
	65286-006	E	KNOB - Ash box, blue	4	
	65286-007	E	KNOB - Ash box, brown	4	
-10	484-385	E	RETAINER - Ash box	4	
-11	65304-000	E	PANEL - Ash box	4	
-12	68492-002	C	PAD ASSEMBLY - Armrest, red	1	28-10720 to 28-11039 inclusive
	68492-006	C	PAD ASSEMBLY - Armrest, brown	1	28-10720 to 28-11039 inclusive
	68492-010	C	PAD ASSEMBLY - Armrest, blue	1	28-10720 to 28-11039 inclusive
-13	68484-000	C	PAN - Armrest	1	28-10720 to 28-11039 inclusive
-14	63113-005	B	PANEL ASSEMBLY - Right, rear, side trim, brown	1	28-1 to 28-130 inclusive
	63113-018	B	PANEL ASSEMBLY - Right, rear, side trim, brown	1	28-131 to 28-670 inclusive
	63170-000	B	PANEL ASSEMBLY - Right, rear, side trim, gray	1	28-671 to 28-1760 inclusive
	65309-002	C	PANEL ASSEMBLY - Right, rear, side trim, red	1	28-10003 to 28-10094 inclusive
	65309-003	C	PANEL ASSEMBLY - Right, rear, side trim, brown	1	28-10003 to 28-10094 inclusive
	65309-004	C	PANEL ASSEMBLY - Right, rear, side trim, blue	1	28-10003 to 28-10094 inclusive
	65309-005	F	PANEL ASSEMBLY - Right, rear, side trim, red	1	
	65309-006	F	PANEL ASSEMBLY - Right, rear, side trim, brown	1	
	65309-007	F	PANEL ASSEMBLY - Right, rear, side trim, blue	1	
	65612-002	D	PANEL ASSEMBLY - Right, rear, side trim, red	1	
	65612-003	D	PANEL ASSEMBLY - Right, rear, side trim, brown	1	
	65612-004	D	PANEL ASSEMBLY - Right, rear, side trim, blue	1	
	65676-002	C	PANEL ASSEMBLY - Right, rear, side trim, red	1	28-10720 to 28-11039 inclusive
	65676-003	C	PANEL ASSEMBLY - Right, rear, side trim, brown	1	28-10720 to 28-11039 inclusive
	65676-004	C	PANEL ASSEMBLY - Right, rear, side trim, blue	1	28-10720 to 28-11039 inclusive
	65612-005	B	PANEL ASSEMBLY - Right, rear, side trim, red	1	28-3443 to 28-4337 inclusive
	65612-006	B	PANEL ASSEMBLY - Right, rear, side trim, brown	1	28-3443 to 28-4337 inclusive
65612-007	B	PANEL ASSEMBLY - Right, rear, side trim, blue	1	28-3443 to 28-4337 inclusive	

- A - Used on PA-28-150, PA-28-160 and PA-28-180 with serial numbers 28-1 to 28-4377 inclusive, and PA-28-235 with serial numbers 28-10003 to 28-11039.
- B - Used on PA-28-150, PA-28-160 and PA-28-180 only.
- C - Used on PA-28-235 airplanes only.
- D - Used on PA-28-150, PA-28-160 and PA-28-180 with serial numbers 28-2478 to 28-3442 inclusive, and PA-28-235 with serial numbers 28-10676 to 28-10719.
- E - Used on PA-28-150, PA-28-160 and PA-28-180 with serial numbers 28-1761 to 28-4377 inclusive, and PA-28-235 with serial numbers 28-10003 to 28-11039.
- F - Used on PA-28-150, PA-28-160 and PA-28-180 with serial numbers 28-1761 to 28-2477 inclusive, and PA-28-235 with serial numbers 28-10095 to 28-10675.

When ordering, always specify Part Number, Description, and Serial Number of Aircraft

PIPER PARTS CATALOG

Figure and Index Number	Part Number	Code	NOMENCLATURE	No. Req.	SERIAL NUMBERS AFFECTED
25 -15	63114-005		PANEL ASSEMBLY - Right, front, side trim, brown	1	28-1 to 28-130 inclusive
	63114-017		PANEL ASSEMBLY - Right, front, side trim, brown	1	28-131 to 28-670 inclusive
	63172-000	B,H	PANEL ASSEMBLY - Right, front, side trim	1	28-671 to 28-1760 inclusive
	65290-002	G	PANEL ASSEMBLY - Right, front, side trim, red	1	28-10003 to 28-10094 inclusive
	65290-003	G	PANEL ASSEMBLY - Right, front, side trim, brown	1	28-10003 to 28-10094 inclusive
	65290-004	G	PANEL ASSEMBLY - Right, front, side trim, blue	1	28-10003 to 28-10094 inclusive
	65290-005	F	PANEL ASSEMBLY - Right, front, side trim, red	1	
	65290-006	F	PANEL ASSEMBLY - Right, front, side trim, brown	1	
	65290-007	F	PANEL ASSEMBLY - Right, front, side trim, blue	1	
	65610-002	E	PANEL ASSEMBLY - Right, front, side trim, red	1	
	65610-003	E	PANEL ASSEMBLY - Right, front, side trim, brown	1	
	65610-004	E	PANEL ASSEMBLY - Right, front, side trim, blue	1	
	68460-002	G	PANEL ASSEMBLY - Right, front, side trim, red	1	28-10720 to 28-11039 inclusive
	68460-003	G	PANEL ASSEMBLY - Right, front, side trim, brown	1	28-10720 to 28-11039 inclusive
68460-004	G	PANEL ASSEMBLY - Right, front, side trim, blue	1	28-10720 to 28-11039 inclusive	
-16	63116-002		CARPET - Floor, rear inboard, left, brown	1	28-1 to 28-130 inclusive
	63116-003		CARPET - Floor, rear inboard, right, brown	1	28-1 to 28-130 inclusive
	63116-019		CARPET - Floor, rear inboard, brown	2	28-131 and up
	63116-031	B	CARPET - Floor, rear inboard, gray	2	28-671 to 28-1760 inclusive
	63116-041	G	CARPET - Floor, rear inboard, red	2	28-10003 to 28-10486 inclusive
	63116-095	C	CARPET - Floor, rear inboard, red	2	
-17	63116-050	D	CARPET - Floor, rear inboard, blue	2	
	63116-004	A	CARPET - Floor, rear center, brown	2	
	63116-023	B	CARPET - Floor, rear center, gray	2	28-671 to 28-1760 inclusive
	63116-040	G	CARPET - Floor, rear center, red	2	28-10003 to 28-10486 inclusive
-18	63116-094	C	CARPET - Floor, rear center, red	2	
	63116-049	D	CARPET - Floor, rear center, blue	2	
	63116-006	A	CARPET - Floor, rear outboard, brown	2	
	63116-024	B	CARPET - Floor, rear outboard, gray	2	28-671 to 28-1760 inclusive
	63116-039	G	CARPET - Floor, rear outboard, red	2	28-10003 to 28-10486 inclusive
	63116-093	C	CARPET - Floor, rear outboard, red	2	
	63116-048	D	CARPET - Floor, rear outboard, blue	2	

A - Used on PA-28-150, PA-28-160 and PA-28-180 with serial numbers 28-1 to 28-4377 inclusive, and PA-28-235 with serial numbers 28-10003 to 28-11039 inclusive.

B - Used on PA-28-150, PA-28-160 and PA-28-180 only.

C - Used on PA-28-150, PA-28-160 and PA-28-180 with serial numbers 28-1761 to 28-4377 inclusive, and PA-28-235 with serial numbers 28-10487 to 28-11039 inclusive.

D - Used on PA-28-150, PA-28-160 and PA-28-180 with serial numbers 28-1761 to 28-4377 inclusive, and PA-28-235 with serial numbers 28-10003 to 28-11039 inclusive.

E - Used on PA-28-150, PA-28-160 and PA-28-180 with serial numbers 28-2478 to 28-4377 inclusive, and PA-28-235 with serial numbers 28-10676 to 28-10719 inclusive.

F - Used on PA-28-150, PA-28-160 and PA-28-180 with serial numbers 28-1761 to 28-2477 inclusive, and PA-28-235 with serial numbers 28-10095 to 28-10675 inclusive.

G - Used on PA-28-235 airplanes only.

H - When ordering, specify color brown or only.

When ordering, always specify Part Number, Description, and Serial Number of Aircraft

PIPER PARTS CATALOG

Figure and Index Number	Part Number	Code	NOMENCLATURE	No. Req.	SERIAL NUMBERS AFFECTED	
25 -19	63116-037	A	CARPET - Floor, front, left, brown	1		
	63116-038	A	CARPET - Floor, front, right, brown	1		
	63116-026	B	CARPET - Floor, front, left, gray	1	28-671 to 28-1760 inclusive	
	63116-027	B	CARPET - Floor, front, right, gray	1	28-671 to 28-1760 inclusive	
	63116-043	E	CARPET - Floor, front, left, red	1	28-10003 to 28-10486 inclusive	
	63116-097	C	CARPET - Floor, front, left, red	1		
	63116-044	E	CARPET - Floor, front, right, red	1	28-10003 to 28-10486 inclusive	
	63116-098	C	CARPET - Floor, front, right, red	1		
	63116-052	D	CARPET - Floor, front, left, blue	1		
	63116-053	D	CARPET - Floor, front, right, blue	1		
	-20	63116-012	A	CARPET ASSEMBLY - Tunnel, side, left, brown	1	
		63116-013	A	CARPET ASSEMBLY - Tunnel, side, right, brown	1	28-1 to 28-130 inclusive
		63116-021	B	CARPET ASSEMBLY - Tunnel, side, right, brown	1	28-131 to 28-4377 inclusive
		63116-061	E	CARPET ASSEMBLY - Tunnel, side, right, brown	1	
		63116-033	B	CARPET ASSEMBLY - Tunnel, side, left, gray	1	28-671 to 28-1760 inclusive
		63116-035	B	CARPET ASSEMBLY - Tunnel, side, right, gray	1	28-671 to 28-1760 inclusive
		63116-062	E	CARPET ASSEMBLY - Tunnel, side, left, red	1	28-10003 to 28-10486 inclusive
63116-103		C	CARPET ASSEMBLY - Tunnel, side, left, red	1		
63116-064		E	CARPET ASSEMBLY - Tunnel, side, right, red	1	28-10003 to 28-10486 inclusive	
63116-105		E	CARPET ASSEMBLY - Tunnel, side, right, red	1	28-10487 to 28-11039 inclusive	
63116-083		B	CARPET ASSEMBLY - Tunnel, side, right, red	1	28-1761 to 28-4377 inclusive	
63116-063		D	CARPET ASSEMBLY - Tunnel, side, left, blue	1		
63116-065		E	CARPET ASSEMBLY - Tunnel, side, right, blue	1		
-21		63116-014	B	CARPET - Spar box, left, brown	1	28-1 to 28-1110 inclusive
	63116-015	B	CARPET - Spar box, right, brown	1	28-1 to 28-1410 inclusive	
	63116-028	B	CARPET - Spar box, left, gray	1	28-671 to 28-1410 inclusive	
	63116-029	B	CARPET - Spar box, right, gray	1	28-671 to 28-1410 inclusive	
	63116-058		CARPET - Spar box, left, brown	1	28-1411 and up	
	63116-076	B	CARPET - Spar box, right, brown	1	28-1411 to 28-4377 inclusive	
	63116-078	E	CARPET - Spar box, right, brown	1		
	63116-071	B	CARPET - Spar box, left, gray	1	28-1411 to 28-1760 inclusive	
	63116-077	B	CARPET - Spar box, right, gray	1	28-1411 to 28-1760 inclusive	
	63116-042	E	CARPET - Spar box, left, red	1	28-10003 to 28-10486 inclusive	
	63116-097	C	CARPET - Spar box, left, red	1		
	63116-074	E	CARPET - Spar box, right, red	1	28-10003 to 28-10486 inclusive	
	63116-102	E	CARPET - Spar box, right, red	1	28- 10487 to 23-11039 incl.	
	63116-091	B	CARPET - Spar box, right, red	1	28-1761 to 28-4377 inclusive	
	63116-051	D	CARPET - Spar box, left, blue	1		
	63116-075	E	CARPET - Spar box, right, blue	1		
	63116-092	B	CARPET - Spar box, right, blue	1	28-161 to 28-4377 inclusive	

- A - Used on PA-28-150, PA-28-160 and PA-28-180 with serial numbers 28-1 to 28-4377 inclusive, and PA-28-235 with serial numbers 28-10003 to 28-11039 inclusive.
- B - Used on PA-28-150, PA-28-160 and PA-28-180 only.
- C - Used on PA-28-150 PA-28-160 and PA-28-180 with serial numbers 28-1761 to 28-4377 inclusive, and PA-28-235 with serial numbers 28-10487 to 28-11039 inclusive.
- D - Used on PA-28-150, PA-28- 160 and PA-28-180 with serial numbers 28-1261 to 28-4377 inclusive, and PA-28-235 with serial numbers 28-10003 to 28-11039 inclusive.
- E - Used on PA-28-235 airplanes only.

When ordering, always specify Part Number, Description, and Serial Number of Aircraft

PIPER PARTS CATALOG

Figure and Index Number	Part Number	Code	NOMENCLATURE	No. Req.	SERIAL NUMBERS AFFECTED	
25 -22	63116-017	B	CARPET ASSEMBLY - Tunnel, top, brown	1	28-131 to 28-4337, inclusive	
	63116-034	B	CARPET ASSEMBLY - Tunnel, top, gray	1	28-671 to 28-1760 inclusive	
	63116-070	C	CARPET ASSEMBLY - Tunnel, top, brown	1		
	63116-059	C	CARPET ASSEMBLY - Tunnel, top, red	1	28-10003 to 28-10486 inclusive	
	63116-104	C	CARPET ASSEMBLY - Tunnel, top, red	1	28-1048 to 28-11039 inclusive	
	63116-087	B	CARPET ASSEMBLY - Tunnel, top, red	1	28-1761 to 28-4377 inclusive	
	63116-060	C	CARPET ASSEMBLY - Tunnel, top, blue	1		
	63116-088	B	CARPET ASSEMBLY - Tunnel, top, blue	1	28-1761 to 28-4377 inclusive	
-23	63118-000	B	SILL - Door	1	28-1 to 28-3977 inclusive	
	65546-000	B	SILL - Door	1	28-3978 to 28-4377 inclusive	
	63118-000	C	SILL - Door	1	28-10003 to 28-10719 inclusive	
	65546-000	C	SILL - Door	1	28-10720 to 28-11039 inclusive	
-24	63119-000	B	HEADLINING ASSEMBLY - Brown	1	28-1 to 28-670 inclusive 28-932 to 28-1760 inclusive	
	63179-000	B	HEADLINING ASSEMBLY - Gray	1	28-671 to 28-931 inclusive	
	63179-008	B	HEADLINING ASSEMBLY - Brown	1	28-671 to 28-931 inclusive	
	65328-000	D	HEADLINING ASSEMBLY - White	1		
	65328-002	C	HEADLINING ASSEMBLY - White	1	28-10933 to 28-11039 inclusive	
	-25	63130-000	C	PLATE - Heel	2	28-10003 to 28-1071 inclusive
		63130-000	B	PLATE - Heel	2	28-1 to 28-1902 inclusive
		63130-002	C	PLATE - Heel	2	28-10720 to 28-11039 inclusive
		63130-002	B	PLATE - Heel	2	28-1903 to 28-4377 inclusive
	-26	63131-000	F	COVER ASSEMBLY - Trim, brown	2	
65674-005		G	COVER ASSEMBLY - Trim, brown	2		
63131-003		B	COVER ASSEMBLY - Trim, gray	2	28-671 to 28-1760 inclusive	
63131-007		C	COVER ASSEMBLY - Trim, red	2	28-10003 to 28-10486 inclusive	
63131-010		E	COVER ASSEMBLY - Trim, red	2		
65674-007		G	COVER ASSEMBLY - Trim, red	2		
63131-008		F	COVER ASSEMBLY - Trim, blue	2		
	65674-006	G	COVER ASSEMBLY - Trim, blue	2		
			<p>A - Used on PA-28-150, PA-28-160 and PA-28-180 with serial numbers 28-1 to 28-4377 inclusive, and PA-28-235 with serial numbers 28-10003 to 28-11039 inclusive.</p> <p>B - Used on PA-28-150, PA-28-160 and PA-28-180 only.</p> <p>C - Used on PA-28-235 only.</p> <p>D - Used on PA-28-150, PA-28-160 and PA-28-180 with serial numbers 28-1761 to 28-4377 inclusive, and PA-28-235 with serial numbers 28-10003 to 28-10932 inclusive.</p> <p>E - Used on PA-28-150, PA-28-160 and PA-28-180 with serial numbers 28-1761 to 28-3977 inclusive, and PA-28-235 with serial numbers 28-10487 to 28-10719 inclusive.</p> <p>F - Used on PA-28-150, PA-28-160 and PA-28-180 with serial numbers 28-1761 to 28-3977 inclusive, and PA-28-235 with serial numbers 28-10003 to 28-10719 inclusive.</p> <p>G - Used on PA-28-150, PA-28-160 and PA-28-180 with serial numbers 28-3978 to 28-4337, inclusive, and PA-28-235 with serial numbers 28-10720 to 28-11039 inclusive.</p>			

When ordering, always specify Part Number, Description, and Serial Number of Aircraft

PA-28-150
PA-28-160
PA-28-180
PA-28-235

PIPER PARTS CATALOG

Figure and Index Number	Part Number	Code	NOMENCLATURE	No. Req.	SERIAL NUMBERS AFFECTED
25 -27	63140-002		PANEL - Battery access cover	1	28-1 to 28-385 inclusive 28-389 to 28-391 inclusive 28-393 to 28-404 inclusive
-28	63140-003		PANEL - Baggage compartment, bottom	1	28-1 to 28-385 inclusive 28-389 to 28-391 inclusive 28-393 to 28-404 inclusive
-29	63140-004		PANEL - Baggage compartment, top	1	28-1 to 28-385 inclusive 28-389 to 28-391 inclusive 28-393 to 28-404 inclusive
-30	63142-002		TRIM STRIP - Door frame, bottom rear	1	
-31	63142-003		TRIM STRIP - Door frame, top rear	1	28-1 to 28-990 inclusive
	63142-013		TRIM STRIP - Door frame, top rear	1	28-991 and up
-32	63142-004		TRIM STRIP - Door frame, upper	1	28-1 to 28-990 inclusive
-33	63142-005		TRIM STRIP - Door frame, front	1	28-1 to 28-990 inclusive
	63142-014		TRIM STRIP - Door frame, front	1	28-991 and up
-34	63142-006		TRIM STRIP - Headlining	1	
-35	63142-007	E	TRIM STRIP - Headlining	1	
	63142-027	C	TRIM STRIP - Headlining	1	28-10720 to 28-11039 inclusive
-36	63142-008		TRIM STRIP - Headlining	1	
-37	63142-009	E	TRIM STRIP - Headlining	1	
	63142-025	C	TRIM STRIP - Headlining	1	28-10720 to 28-11039 inclusive
-38	63142-010	E	TRIM STRIP - Headlining	1	
	63142-026	C	TRIM STRIP - Headlining	1	28-10720 to 28-11039 inclusive
-39	63142-011		TRIM STRIP - Side panel	1	
-40	63106-002	B	WINDLACING - Door seal, brown	1	28-1 to 28-1760 inclusive
	63106-007	B	WINDLACING - Door seal, gray	1	28-671 to 28-1760 inclusive
	65564-002	D	WINDLACING - Door seal, white	1	
-41	63144-000		COVER - Inboard	2	
-42	63260-000	C	BLANKET - Firewall	1	28-10003 to 28-10486 inclusive
	63260-006	C	BLANKET - Firewall	1	28-10487 to 28-10719 inclusive
	65497-000	C	BLANKET - Firewall	1	28-10720 to 28-11039 inclusive
	63260-000	B	BLANKET - Firewall	1	28-1 to 28-1760 inclusive
	62271-000	B	BLANKET - Firewall	1	28-1761 to 28-4377 inclusive
-43	63930-000	B	COVER - Cowl	1	28-1 to 28-4199 inclusive
	63930-000	C	COVER - Cowl	1	28-10003 to 28-10964 inclusive
	67325-000	B	COVER - Cowl	1	28-4200 to 28-4377 inclusive
	67325-000	C	COVER - Cowl	1	28-10965 to 28-11039 inclusive

A - Used on PA-28-150, PA-28-160 and PA-28-180 with serial numbers 28-1 to 28-4377 inclusive, and PA-28-235 with serial numbers 28-10003 to 28-11039 inclusive.
 B - Used on PA-28-150, PA-28-160 and PA-28-180 only.
 C - Used on PA-28-235 airplanes only.
 D - Used on PA-28-150, PA-28-160 and PA-28-180 with serial numbers 28-1761 to 28-4377, inclusive, and PA-28-235 with serial numbers 28-10003 to 28-11039 inclusive.
 E - Used on PA-28-235 with serial numbers 28-10003 to 28-10719 inclusive, and PA-28-150, PA-28-160 and PA-28-180 with serial numbers 28-1 to 28-4377 inclusive.

When ordering, always specify Part Number, Description, and Serial Number of Aircraft

PA-28-150
PA-28-160
PA-28-180
PA-28-235

PIPER PARTS CATALOG

Figure and Index Number	Part Number	Code	NOMENCLATURE	No. Req.	SERIAL NUMBERS AFFECTED
25 -44	62694-000		PLATE ASSEMBLY - Assist handle	1	
-45	63104-003		FAIRING - Cabin light panel	1	28-1 to 28-274 inclusive
-46	19927-003	C	LOOP ASSEMBLY - Assist	1	28-1 to 28-670 inclusive
	63033-002	B,C	LOOP ASSEMBLY - Assist, brown	1	28-671 to 28-1760 inclusive
	63033-003	B,C	LOOP ASSEMBLY - Assist, gray	1	28-671 to 28-1760 inclusive
	63033-004	C,E	LOOP ASSEMBLY - Assist, white	1	28-10003 to 28-10486 inclusive
	62353-004	C,E	LOOP ASSEMBLY - Assist, white	1	28-10487 to 28-11039 inclusive
	62353-004	B,C	LOOP ASSEMBLY - Assist, white	1	28-1761 to 28-4377 inclusive
-47	63227-000		VISOR ASSEMBLY - Sun, left	1	28-1 to 28-1200 inclusive
	63227-001		VISOR ASSEMBLY - Sun, right	1	28-1 to 28-1200 inclusive
	764-114		VISOR ASSEMBLY - Sun	2	28-1201 and up
-48	63229-000		SUPPORT ASSEMBLY - Sun visor	1	28-1 to 28-1200 inclusive
	63229-002		SUPPORT ASSEMBLY - Sun visor	1	28-1201 and up
-49	63900-044		BUSHING - Sun visor	1	
-50	99295-002	F	COVER ASSEMBLY - Fuel selector	1	
-51	99181-003	F	HANDLE - Fuel selector	1	
-52	63167-003	B	DOOR ASSEMBLY - Battery access cover	1	28-386 to 28-388, 28-392, 28-405 to 28-1760 inclusive
	65311-003	D	DOOR ASSEMBLY - Battery access cover	1	
-53	63168-000	B	CARPET - Baggage compartment, brown	1	28-1 to 28-733 inclusive 28-990 to 28-1760 inclusive
	63168-002	B	CARPET - Baggage compartment, gray	1	28-734 to 28-1760 inclusive
	65324-002	E	CARPET - Baggage compartment, red	1	28-10003 to 28-10486 inclusive
	65324-003	D	CARPET - Baggage compartment, brown	1	
	65324-004	D	CARPET - Baggage compartment, blue	1	
	65324-005	D	CARPET - Baggage compartment, red	1	
-54	63173-002		TRIM STRIP - Baggage compartment	2	28-1 to 28-556 inclusive
	63185-002		TRIM STRIP - Baggage compartment, rear	1	28-557 and up
	63185-003		TRIM STRIP - Baggage compartment, front	1	28-557 and up
<p>A - Used on PA-28-150, PA-28-160 and PA-28-180 with serial numbers 28-1 to 28-4377 inclusive, and PA-28-235 with serial numbers 28-10003 to 28-11039 inclusive.</p> <p>B - Used on PA-28-150 PA-28-160 and PA-28-180 only.</p> <p>C - Optional equipment.</p> <p>D - Used on PA-28-150 PA-28-160 and PA-28-180 with serial numbers 28-1761 to 28-4377 inclusive and PA-28-235 with serial numbers 28-10003 to 28-10719 inclusive.</p> <p>E - Used on PA-28-235 airplanes only.</p> <p>F - Used on PA-28-150 PA-28-160 and PA-28-180 if Fuel Selector Valve Cover Kit 760 546 has been installed.</p>					

When ordering, always specify Part Number, Description, and Serial Number of Aircraft

PA-28-150
PA-28-160
PA-28-180
PA-28-235

PIPER PARTS CATALOG

Figure and Index Number	Part Number	Code	NOMENCLATURE	No. Req.	SERIAL NUMBERS AFFECTED
25 -55	63164-000	B	FLOORBOARD - Front, left	1	28-361 and up
	63164-001	B	FLOORBOARD - Front, right	1	28-361 and up
-56	63163-000	B	FLOORBOARD - Rear, left and right	2	28-361 and up
-57	99458-000		BAR ASSEMBLY - Tow	1	
-58	63259-000	D	PLATE - Striker, baggage door, length 2.64"	1	
	99450-000	D	PLATE - Striker, baggage door, length 3.12"	1	
	63293-002	E	PLATE - Striker, baggage door, length 2.00"	1	
-59	63167-002	F	PANEL ASSEMBLY - Baggage compartment	1	28-386 to 28-388, 28-392. 28-405 to 28-1760 inclusive
	65311-002	G	PANEL ASSEMBLY - Baggage compartment	1	
-60	68416-000	C	VENT ASSEMBLY - Air, forward, left (complete)	1	
	68416-001	C	VENT ASSEMBLY - Air, forward, right (complete)	1	
	68556-000	C	VENT ASSEMBLY - Air, aft, left (complete)	1	
	68556-001	C	VENT ASSEMBLY - Air, aft, right (complete)	1	
-61	68671-000	C	* VALVE ASSEMBLY - Air vent	1	
-62	68499-004	C	* SHAFT ASSEMBLY - Air vent valve, left	1	
	68499-005	C	* SHAFT ASSEMBLY - Air vent valve, right	1	
-63	68574-002	C	COVER ASSEMBLY - Forward air vent, left, red	1	
	68574-003	C	COVER ASSEMBLY - Forward air vent, left, brown	1	
	68574-004	C	COVER ASSEMBLY - Forward air vent, left, blue	1	
	68574-005	C	COVER ASSEMBLY - Forward air vent, right, red	1	
	68574-006	C	COVER ASSEMBLY - Forward air vent, right, brown	1	
	68574-007	C	COVER ASSEMBLY - Forward air vent, right, blue	1	
	68574-008	C	COVER ASSEMBLY - Aft air vent, left, red	1	
	68574-009	C	COVER ASSEMBLY - Aft air vent, left, brown	1	
	68574-010	C	COVER ASSEMBLY - Aft air vent, left, blue	1	
	68574-011	C	COVER ASSEMBLY - Aft air vent, right, red	1	
	68574-012	C	COVER ASSEMBLY - Aft air vent, right, brown	1	
	68574-013	C	COVER ASSEMBLY - Aft air vent, right, blue	1	
-64	68584-000	C	GASKET - Air vent assembly	4	
-65	68672-000	C	SPACER - Air vent assembly	8	

- A - Used on PA-28-150, PA-28-160 and PA-28-180 with serial numbers 28-1 to 28-4377 inclusive, and PA-28-235 with serial numbers 28-10003 to 28-11039 inclusive.
- B - Used on airplanes with serial numbers 28-1 to 28-360 inclusive if Kit 754 472 has been installed.
- C - Used on PA-28--150, PA-28-160 and PA-28-180 with serial numbers 28-2478 to 28-2630 inclusive.
- D - Used if baggage door does not have push button latch.
- E - Used if baggage door has push button latch.
- F - Used on PA-28-150, PA-28-160 and PA-28-180 only.
- G - Used on PA-28-150, PA-28-160 and PA-28-180 with serial numbers 28-1761 to 28-4377 inclusive, and PA-28-235 with serial numbers 28-10003 to 28-10719 inclusive.

When ordering, always specify Part Number, Description, and Serial Number of Aircraft

PA-28-150
PA-28-160
PA-28-180
PA-28-235

PIPER PARTS CATALOG

Figure and Index Number	Part Number	Code	NOMENCLATURE	No. Req.	SERIAL NUMBERS AFFECTED
25 -66	68733-002		FLANGE - Air vent, red	4	
	68733-003	E	FLANGE - Air vent, brown	4	
	68733-004	E	FLANGE - Air vent, blue	4	
	65735-005	G	FLANGE - Air vent, red	4	
	65735-006	G	FLANGE - Air vent, brown	4	
	65735-007	G	FLANGE - Air vent, blue	4	
-67	68736-002	E	CUP - Air vent, red	4	
	68736-003	E	CUP - Air vent, brown	4	
	68736-004	E	CUP - Air vent, blue	4	
	65735-002	G	CUP - Air vent, red	4	
	65735-003	G	CUP - Air vent, brown	4	
	65735-004	G	CUP - Air vent, blue	4	
-68	66804-000		STRAP ASSEMBLY - Baggage tie down (tip end) black	2	
-69	66805-000		STRAP ASSEMBLY - Baggage tie down (buckle end) black	2	
-70	65667-000	D	GRILL ASSEMBLY - Air exhaust	1	
-71	65664-000	C	DOOR ASSEMBLY - Rear bulkhead	1	28-10720 to 28-11039 inclusive
-72	65626-000	C	BULKHEAD ASSEMBLY - Rear cabin	1	28-10720 to 28-11039 inclusive
-73	487-629	C	* STUD ASSEMBLY - (#KM894-1A)	2	28-10720 to 28-11039 inclusive
-74	68399-002	C	* PLACARD - Baggage limitation	1	28-10720 to 28-11039 inclusive
-75	63949-000	B	HANDLE ASSEMBLY - Fuel selector valve	1	
-76	63949-002	B	* INDICATOR	1	
-77	63949-003	B	* HANDLE	1	
-78	63832-000	B,F	PLATE - Fuel selector	1	

- A - Used on PA-28-150, PA-28-160 and PA-28-180 with serial numbers 28-1 to 28-4377 inclusive, and PA-28-235 with serial numbers 28-10003 to 28-11039 inclusive.
- B - Used on PA-28-150, PA-28-160 and PA-28-180 with serial numbers 28-1 to 28-4377 inclusive. Order Item 50 or 51 if Fuel Selector Valve Cover Kit 760-546 has been installed.
- C - Used on PA-28-235 airplanes only.
- D - Used on PA-28-150, PA-28-160 and PA-28-180 with serial numbers 28-3443 to 28-4377 inclusive, and PA-28-235 with serial numbers 28-10720 to 28-11039 inclusive.
- E - Used on PA-28-150, PA-28-160 and PA-28-180 with serial numbers 28-2631 to 28-3177 inclusive, and PA-28-235 with serial numbers 28-10676 to 28-10719 inclusive.
- F - When ordering, specify color red, blue or light brown.
- G - Used on PA-28-150, PA-28-160 and PA-28-180 with serial numbers 28-3178 to 28-4377 inclusive, and PA-28-235 with serial numbers 28-10720 to 28-11039 inclusive.

When ordering, always specify Part Number, Description, and Serial Number of Aircraft

PA-28-150
PA-28-160
PA-28-180
PA-28-235

PIPER PARTS CATALOG

Figure and Index Number	Part Number	Code	NOMENCLATURE	No. Req.	SERIAL NUMBERS AFFECTED	
25 -79	63940-000	B	COVER - Tee bar, brown	1	28-1 to 28-1760 inclusive	
	63940-002	B	COVER - Tee bar, gray	1	28-671 to 28-1760 inclusive	
	63940-003	E	COVER - Tee bar, red	1		
	63940-004	E	COVER - Tee bar, brown	1		
	63940-005	E	COVER - Tee bar, blue	1		
-80	65777-000	C	PLACARD - Operating limitations	1	28-10852 to 28-11039 inclusive	
-81	63153-000		HANDLE - Assist	1		
-82	65406-007	C,F	COVER ASSEMBLY - Fuel selector control, upper, brown	1	28-10003 to 28-10785 inclusive	
	65406-008	C,F	COVER ASSEMBLY - Fuel selector control, upper, blue	1	28-10003 to 28-10785 inclusive	
	65406-009	C,F	COVER ASSEMBLY - Fuel selector control, upper, red	1	28-10003 to 28-10785 inclusive	
	69091-002	C,F	COVER ASSEMBLY - Fuel selector control, upper, brown	1	28-10786 to 28-11039 inclusive	
	69091-003	C,F	COVER ASSEMBLY - Fuel selector control, upper, blue	1	28-10786 to 28-11039 inclusive	
	69091-004	C,F	COVER ASSEMBLY - Fuel selector control, upper, red	1	28-10786 to 28-11039 inclusive	
	69673-005	C,G	COVER ASSEMBLY - Fuel selector control, upper, brown	1	28-10003 to 28-11039 inclusive	
	69673-003	C,G	COVER ASSEMBLY - Fuel selector control, upper, blue	1	28-10003 to 28-11039 inclusive	
	69673-002	C,G	COVER ASSEMBLY - Fuel selector control, upper, red	1	28-10003 to 28-11039 inclusive	
	-83	65219-000	C,H	* PLACARD - Rudder trim	1	28-10003 to 28-10785 inclusive
	-84	65370-000	C,H	* PLACARD - Fuel information	1	28-10003 to 28-10785 inclusive
	-85	65397-000	C,H	* PLACARD - Fuel selector	1	28-10003 to 28-10785 inclusive
		69086-000	C,H	* PLACARD - Fuel selector	1	28-10786 to 28-11039 inclusive
		69653-000	C,G	* PLACARD - Fuel selector	1	28-10003 to 28-11039 inclusive
-86	65219-000	C,G	PLACARD - Rudder trim	1	28-10003 to 28-11039 inclusive	
-87	65410-002	C,D	COVER ASSEMBLY - Fuel selector control, lower, brown	1	28-10003 to 28-10785 inclusive	
	65410-003	C,D	COVER ASSEMBLY - Fuel selector control, lower, blue	1	28-10003 to 28-10785 inclusive	
	65410-004	C,D	COVER ASSEMBLY - Fuel selector control, lower, red	1	28-10003 to 28-10660 inclusive	
	65410-006	C,D	COVER ASSEMBLY - Fuel selector control, lower, red	1	28-10661 to 28-10785 inclusive	
	69090-002	C,D	COVER ASSEMBLY - Fuel selector control, lower, brown	1	28-10786 to 28-11039 inclusive	
	69090-003	C,D	COVER ASSEMBLY - Fuel selector control, lower, blue	1	28-10786 to 28-11039 inclusive	
	69090-004	C,D	COVER ASSEMBLY - Fuel selector control, lower, red	1	28-10786 to 28-11039 inclusive	
	69652-011	C,G	COVER ASSEMBLY - Fuel selector control, lower, brown	1	28-10003 to 28-11039 inclusive	
	69652-010	C,G	COVER ASSEMBLY - Fuel selector control, lower, blue	1	28-10003 to 28-11039 inclusive	
	69652-006	C,G	COVER ASSEMBLY - Fuel selector control, lower, red	1	28-10003 to 28-11039 inclusive	
	-88	419-905	B	SCREW - (14 x 2-1/2")	2	28-1 to 28-1760 inclusive

- A - Used on PA-28-150, PA-28-160 and PA-28-180 with serial numbers 28-1 to 28-4377 inclusive, and PA-28-235 with serial numbers 28-10003 to 28-11039 inclusive.
- B - Used on PA-28-150, PA-28-160 and PA-28-180 only.
- C - Used on PA-28-235 airplanes only.
- D - No longer available. Order Cover Assembly Part Number 69652-11 brown, 69652-10 blue or 69652-006 red if Fuel Selector Control Modification Kit has been installed per Service Bulletin 376. If Fuel Selector Control Modification Kit has not been installed per Piper Service Bulletin 376, order Kit 760 781 for serial numbers, 28-10003 to 28-10785 incl., or Kit 760 782 for serial numbers 28-10786 to 28-11039 inclusive.
- E - Used on PA-28-150, PA-28-160 and PA-28-180 with serial numbers 28-1761 to 28-4377 inclusive, and PA-28-235 with serial numbers 28-10003 to 28-11039.
- F - No longer available. Order Cover Assembly Part Number 69673-005 brown, 69673-03 blue or 69673-02 red if Fuel Selector Control Modification Kit has been installed per Service Bulletin 376. If Fuel Selector Control Modification Kit has not been installed per Piper Service Bulletin 376, order Kit 760 681 for serial numbers 28-10003 to 28-10785 incl., or Kit 760 782 for serial numbers 28-10786 to 28-11039 inclusive.
- G - Used if Fuel Selector Control Modification Kit has been installed per Piper Service Bulletin 376, latest revision.
- H - Used if Fuel Selector Control Modification Kit has not been installed per Piper Service Bulletin 376.

When ordering, always specify Part Number, Description, and Serial Number of Aircraft

PA-28-150
PA-28-160
PA-28-180
PA-28-235

THIS PAGE INTENTIONALLY LEFT BLANK

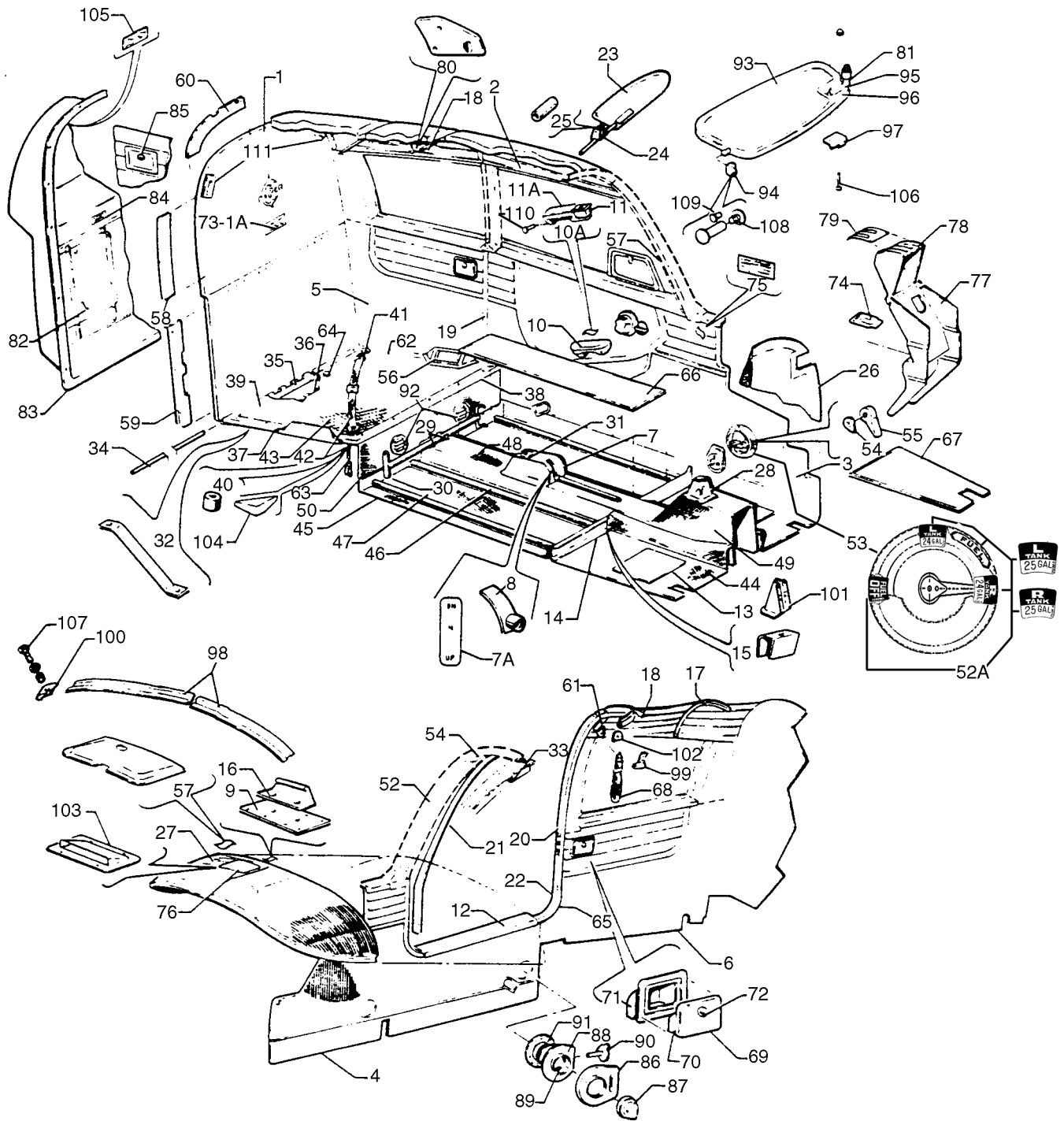


Figure 26. Cockpit Finishing Installation

THIS PAGE INTENTIONALLY LEFT BLANK

PIPER PARTS CATALOG

Figure and Index Number	Part Number	Code	NOMENCLATURE	No. Req.	SERIAL NUMBERS AFFECTED
26 -3	580-322		PANEL ASSEMBLY - Left front cockpit, gold	1	28-7325001 to 28-7325684 incl.
	579-833		PANEL ASSEMBLY - Left front cockpit, gold	1	28-7425001 to 28-7425454 incl.
	579-706		PANEL ASSEMBLY - Left front cockpit, gold	1	28-7525001 to 28-7625284 incl.
	99145-005		PANEL ASSEMBLY - Left front cockpit, green	1	28-7125001 to 28-7125651 incl.
	99145-009		PANEL ASSEMBLY - Left front cockpit, green	1	28-7225001 to 28-7225612 incl.
	580-323		PANEL ASSEMBLY - Left front cockpit, green	1	28-7325001 to 28-7325684 incl.
	579-832		PANEL ASSEMBLY - Left front cockpit, green	1	28-7425001 to 28-7425454 incl.
	579-707		PANEL ASSEMBLY - Left front cockpit, green	1	28-7525001 to 28-7625284 incl.
	580-740		PANEL ASSEMBLY - Left front cockpit (mushroom panel with black carpet)	1	28-7725001 and up
	580-720		PANEL ASSEMBLY - Left front cockpit (mushroom panel with heather brown carpet)	1	28-7725001 and up
	580-787		PANEL ASSEMBLY - Left front cockpit (camel panel with black carpet)	1	28-7725001 and up
	580-786		PANEL ASSEMBLY - Left front cockpit (camel panel with heather brown carpet)	1	28-7725001 and up
	-4	63114-017		PANEL ASSEMBLY - Right front cockpit, brown	1
62294-002			PANEL ASSEMBLY - Right front cockpit, brown	1	28-20088 to 28-21467 inclusive
62294-003			PANEL ASSEMBLY - Right front cockpit, gray	1	28-20002 to 28-21467 inclusive
62294-004			PANEL ASSEMBLY - Right front cockpit, red	1	28-21468 to 28-24999 inclusive
66682-002			PANEL ASSEMBLY - Right front cockpit, red	1	28-25000 to 28-26956 inclusive
99147-002			PANEL ASSEMBLY - Right front cockpit, red	1	28-7125001 to 28-7125651 incl.
99147-006			PANEL ASSEMBLY - Right front cockpit, red	1	28-7225001 to 28-7225612 incl.
580-332			PANEL ASSEMBLY - Right front cockpit, red	1	28-7325001 to 28-7325684 incl.
579-712			PANEL ASSEMBLY - Right front cockpit, red	1	28-7425001 to 28-7625030 incl.
579-636			PANEL ASSEMBLY - Right front cockpit, red	1	28-7625031 to 28-7625284 incl.
62294-005			PANEL ASSEMBLY - Right front cockpit, brown	1	28-21468 to 28-24999 incl.
66682-003			PANEL ASSEMBLY - Right front cockpit, brown	1	28-25000 to 28-26956 incl.
62294-006			PANEL ASSEMBLY - Right front cockpit, blue	1	28-21468 to 28-24999 incl.
66682-004			PANEL ASSEMBLY - Right front cockpit, blue	1	28-25000 to 28-26956 inclusive
99147-003			PANEL ASSEMBLY - Right front cockpit, blue	1	28-7125001 to 28-7125651 incl.
99147-007			PANEL ASSEMBLY - Right front cockpit, blue	1	28-7225001 to 28-7225612 incl.
580-333			PANEL ASSEMBLY - Right front cockpit, blue/green	1	28-7325001 to 28-7325684 incl.
579-713			PANEL ASSEMBLY - Right front cockpit, blue	1	28-7425001 to 28-7625030 incl.
579-637			PANEL ASSEMBLY - Right front cockpit, blue/green	1	28-7625031 to 28-7625284 incl.
62294-007			PANEL ASSEMBLY - Right front cockpit, beige	1	28-21468 to 28-24999 inclusive
66682-005			PANEL ASSEMBLY - Right front cockpit, beige	1	28-25000 to 28-26956 inclusive
99147-004			PANEL ASSEMBLY - Right front cockpit, beige	1	28-7125001 to 28-7125651 incl.
99147-008		A	PANEL ASSEMBLY - Right front cockpit, beige	1	28-7225001 to 28-7225612 incl.
580-334			PANEL ASSEMBLY - Right front cockpit, gold	1	28-7325001 to 28-7325684 incl.
579-714			PANEL ASSEMBLY - Right front cockpit, gold	1	28-7425001 to 28-7625030 incl.
579-638			PANEL ASSEMBLY - Right front cockpit, gold	1	28-7625031 to 28-7625284 incl.
99147-005			PANEL ASSEMBLY - Right front cockpit, green	1	28-7125001 to 28-7125651 incl.
99147-009			PANEL ASSEMBLY - Right front cockpit, green	1	28-7225001 to 28-7225612 incl.
580-335			PANEL ASSEMBLY - Right front cockpit, green	1	28-7325001 to 28-7325684 incl.
579-715			PANEL ASSEMBLY - Right front cockpit, green	1	28-7425001 to 28-7625030 incl.
579-639			PANEL ASSEMBLY - Right front cockpit, green	1	28-7625001 to 28-7625284 incl.
580-741			PANEL ASSEMBLY - Right front cockpit (mushroom panel with black carpet)	1	28-7725001 and up
580-722			PANEL ASSEMBLY - Right front cockpit (mushroom panel with heather brown carpet)	1	28-7725001 and up
580-790			PANEL ASSEMBLY - Right front cockpit (camel panel with black carpet)	1	28-7725001 and up
580-789			PANEL ASSEMBLY - Right front cockpit (camel panel with heather brown carpet)	1	28-7725001 and up

A - If ordering for Flite Liner, it will be necessary to specify color beige or gold.

When ordering, always specify Part Number, Description, and Serial Number of Aircraft

PIPER PARTS CATALOG

Figure and Index Number	Part Number	Code	NOMENCLATURE	No. Req.	SERIAL NUMBERS AFFECTED
26 -5	62295-002		PANEL ASSEMBLY - Left rear cockpit, brown	1	28-20002 to 28-21467 inclusive
	62295-003		PANEL ASSEMBLY - Left rear cockpit, gray	1	28-20002 to 28-21467 inclusive
	62295-004		PANEL ASSEMBLY - Left rear cockpit, red	1	28-21468 to 28-24999 inclusive
	66686-002		PANEL ASSEMBLY - Left rear cockpit, red	1	28-25000 to 28-26400 inclusive
	66686-010		PANEL ASSEMBLY - Left rear cockpit, red	1	28-26401 to 28-26956 inclusive
	99146-002		PANEL ASSEMBLY - Left rear cockpit, red	1	28-7125001 to 28-7125651 incl.
	99146-010		PANEL ASSEMBLY - Left rear cockpit, red	1	28-7225001 to 28-7225612 incl.
	580-324		PANEL ASSEMBLY - Left rear cockpit, red	1	28-7325001 to 28-7325684 incl.
	579-831		PANEL ASSEMBLY - Left rear cockpit, red	1	28-7425001 to 28-7625284 incl.
	62295-007	A	PANEL ASSEMBLY - Left rear cockpit, red	1	28-21468 to 28-24999 inclusive
	66686-003	A	PANEL ASSEMBLY - Left rear cockpit, red	1	28-25000 to 28-26400 inclusive
	66686-011	A	PANEL ASSEMBLY - Left rear cockpit, red	1	28-26401 to 28-26956 inclusive
	99146-006	A	PANEL ASSEMBLY - Left rear cockpit, red	1	28-7125001 to 28-7125651 incl.
	99146-014	A	PANEL ASSEMBLY - Left rear cockpit, red	1	28-7225001 to 28-7225612 incl.
	580-328	A	PANEL ASSEMBLY - Left rear cockpit, red	1	28-7325001 to 28-7325684 incl.
	579-827	A	PANEL ASSEMBLY - Left rear cockpit, red	1	28-7425001 to 28-7625284 incl.
	62295-005		PANEL ASSEMBLY - Left rear cockpit, brown	1	28-21468 to 28-24999 inclusive
	66686-004		PANEL ASSEMBLY - Left rear cockpit, brown	1	28-25000 to 28-26400 inclusive
	66686-012		PANEL ASSEMBLY - Left rear cockpit, brown	1	28-2601 to 28-26956 inclusive
	62295-008	A	PANEL ASSEMBLY - Left rear cockpit, brown	1	28-21468 to 28-24999 inclusive
	66686-005	A	PANEL ASSEMBLY - Left rear cockpit, brown	1	28-25000 to 28-26400 inclusive
	66686-013	A	PANEL ASSEMBLY - Left rear cockpit, brown	1	28-26401 to 28-26956 inclusive
	62295-006		PANEL ASSEMBLY - Left rear cockpit, blue	1	28-21468 to 28-24999 inclusive
	66686-006		PANEL ASSEMBLY - Left rear cockpit, blue	1	28-25000 to 28-26400 inclusive
	66686-014		PANEL ASSEMBLY - Left rear cockpit, blue	1	28-26401 to 28-26956 inclusive
	99146-003		PANEL ASSEMBLY - Left rear cockpit, blue	1	28-7125001 to 28-7125651 incl.
	99146-011		PANEL ASSEMBLY - Left rear cockpit, blue	1	28-7225001 to 28-7225612 incl.
	580-325		PANEL ASSEMBLY - Left rear cockpit, blue	1	28-7325001 to 28-7325684 incl.
	579-830		PANEL ASSEMBLY - Left rear cockpit, blue	1	28-7425001 to 28-7425454 incl.
	579-709		PANEL ASSEMBLY - Left rear cockpit, blue	1	28-7525001 to 28-7625284 incl.
	62295-009	A	PANEL ASSEMBLY - Left rear cockpit, blue	1	28-21468 to 28-24999 inclusive
	66686-007	A	PANEL ASSEMBLY - Left rear cockpit, blue	1	28-25000 to 28-26400 inclusive
	66686-015	A	PANEL ASSEMBLY - Left rear cockpit, blue	1	28-26401 to 28-26956 inclusive
	99146-007	A	PANEL ASSEMBLY - Left rear cockpit, blue	1	28-7125001 to 28-7125651 incl.
	99146-015	A	PANEL ASSEMBLY - Left rear cockpit, blue	1	28-7225001 to 28-7225612 incl.
	580-329	A	PANEL ASSEMBLY - Left rear cockpit, blue	1	28-7325001 to 28-7325684 incl.
	579-826	A	PANEL ASSEMBLY - Left rear cockpit, blue	1	28-7425001 to 28-7425454 incl.
	579-711	A	PANEL ASSEMBLY - Left rear cockpit, blue	1	28-7525001 to 28-7625284 incl.
	62294-010		PANEL ASSEMBLY - Left rear cockpit, beige	1	28-21468 to 28-24999 inclusive
	66686-008		PANEL ASSEMBLY - Left rear cockpit, beige	1	28-25000 to 28-26400 inclusive
	66686-016		PANEL ASSEMBLY - Left rear cockpit, beige	1	28-26401 to 28-26956 inclusive
	99146-004		PANEL ASSEMBLY - Left rear cockpit, beige	1	28-7125001 to 28-7125651 incl.
	99146-012	B	PANEL ASSEMBLY - Left rear cockpit, beige	1	28-7225001 to 28-7225612 incl.
	580-326		PANEL ASSEMBLY - Left rear cockpit, gold	1	28-7325001 to 28-7325684 incl.
	579-829		PANEL ASSEMBLY - Left rear cockpit, gold	1	28-7425001 to 28-7625284 incl.
	62295-011	A	PANEL ASSEMBLY - Left rear cockpit, beige	1	28-21468 to 28-24999 inclusive
	66686-009	A	PANEL ASSEMBLY - Left rear cockpit, beige	1	28-25000 to 28-26400 inclusive
	66686-017	A	PANEL ASSEMBLY - Left rear cockpit, beige	1	28-26401 to 28-26956 inclusive
	99146-008	A	PANEL ASSEMBLY - Left rear cockpit, beige	1	28-7125001 to 28-7125651 incl.
	99146-016	A,B	PANEL ASSEMBLY - Left rear cockpit, beige	1	28-7225001 to 28-7225612 incl.
580-330	A	PANEL ASSEMBLY - Left rear cockpit, gold	1	28-7325001 to 28-7325684 incl.	
579-825	A	PANEL ASSEMBLY - Left rear cockpit, gold	1	28-7425001 to 28-7625284 incl.	
99146-005		PANEL ASSEMBLY - Left rear cockpit, green	1	28-7125001 to 28-7125651 incl.	

A - Used when rear seats are installed and includes cutout for ash tray.
 B - If ordering for Flite Liner, it will be necessary to specify color beige or gold.

When ordering, always specify Part Number, Description, and Serial Number of Aircraft

PIPER PARTS CATALOG

Figure and Index Number	Part Number	Code	NOMENCLATURE	No. Req.	SERIAL NUMBERS AFFECTED	
26 -5	99146-013		PANEL ASSEMBLY - Left rear cockpit, green	1	28-7225001 to 28-7225612 incl.	
	580-327		PANEL ASSEMBLY - Left rear cockpit, green	1	28-7325001 to 28-7325684 incl.	
	579-828		PANEL ASSEMBLY - Left rear cockpit, green	1	28-7425001 to 28-7625284 incl.	
	99146-009	A	PANEL ASSEMBLY - Left rear cockpit, green	1	28-7125001 to 28-7125651 incl.	
	99146-017	A	PANEL ASSEMBLY - Left rear cockpit, green	1	28-7225001 to 28-7225612 incl.	
	580-331	A	PANEL ASSEMBLY - Left rear cockpit, green	1	28-7325001 to 28-7325684 incl.	
	579-824	A	PANEL ASSEMBLY - Left rear cockpit, green	1	28-7425001 to 28-7625284 incl.	
	580-721		PANEL ASSEMBLY - Left rear cockpit, mushroom	1	28-7725001 and up	
	580-788		PANEL ASSEMBLY - Left rear cockpit, camel	1	28-7725001 and up	
	-6	62296-002		PANEL ASSEMBLY - Right rear cockpit, brown	1	28-20002 to 28-21467 inclusive
		62296-003		PANEL ASSEMBLY - Right rear cockpit, gray	1	28-20002 to 28-21467 inclusive
		62296-004		PANEL ASSEMBLY - Right rear cockpit, red	1	28-21468 to 28-24999 inclusive
		66685-002		PANEL ASSEMBLY - Right rear cockpit, red	1	28-25000 to 28-26400 inclusive
		66982-002		PANEL ASSEMBLY - Right rear cockpit, red	1	28-26401 to 28-26956 inclusive
		99148-002		PANEL ASSEMBLY - Right rear cockpit, red	1	28-7125001 to 28-7125651 incl.
99148-010			PANEL ASSEMBLY - Right rear cockpit, red	1	28-7225001 to 28-7225612 incl.	
580-340			PANEL ASSEMBLY - Right rear cockpit, red	1	28-7325001 to 28-7325684 incl.	
579-815			PANEL ASSEMBLY - Right rear cockpit, red	1	28-7425001 to 28-7625284 incl.	
62296-007		A	PANEL ASSEMBLY - Right rear cockpit, red	1	28-21468 to 28-24999 inclusive	
66685-003		A	PANEL ASSEMBLY - Right rear cockpit, red	1	28-25000 to 28-26400 inclusive	
66982-003		A	PANEL ASSEMBLY - Right rear cockpit, red	1	28-26401 to 28-26956 inclusive	
99148-006		A	PANEL ASSEMBLY - Right rear cockpit, red	1	28-7125001 to 28-7125651 incl.	
99148-014		A	PANEL ASSEMBLY - Right rear cockpit, red	1	28-7225001 to 28-7225612 incl.	
580-344		A	PANEL ASSEMBLY - Right rear cockpit, red	1	28-7325001 to 28-7325684 incl.	
579-811		A	PANEL ASSEMBLY - Right rear cockpit, red	1	28-7425001 to 28-7625284 incl.	
62296-005			PANEL ASSEMBLY - Right rear cockpit, brown	1	28-21468 to 28-24999 inclusive	
66685-004			PANEL ASSEMBLY - Right rear cockpit, brown	1	28-25000 to 28-26400 inclusive	
66982-004			PANEL ASSEMBLY - Right rear cockpit, brown	1	28-26401 to 28-26956 inclusive	
62296-008		A	PANEL ASSEMBLY - Right rear cockpit, brown	1	28-21468 to 28-24999 inclusive	
66685-005		A	PANEL ASSEMBLY - Right rear cockpit, brown	1	28-25000 to 28-26400 inclusive	
66982-005		A	PANEL ASSEMBLY - Right rear cockpit, brown	1	28-26401 to 28-26956 inclusive	
62296-006			PANEL ASSEMBLY - Right rear cockpit, blue	1	28-21468 to 28-24999 inclusive	
66685-006			PANEL ASSEMBLY - Right rear cockpit, blue	1	28-25000 to 28-26400 inclusive	
66982-006			PANEL ASSEMBLY - Right rear cockpit, blue	1	28-26401 to 28-26956 inclusive	
99148-003			PANEL ASSEMBLY - Right rear cockpit, blue	1	28-7125001 to 28-7125651 incl.	
99148-011			PANEL ASSEMBLY - Right rear cockpit, blue	1	28-7225001 to 28-7225612 incl.	
580-341			PANEL ASSEMBLY - Right rear cockpit, blue	1	28-7325001 to 28-7325683 incl.	
579-814			PANEL ASSEMBLY - Right rear cockpit, blue	1	28-7425001 to 28-7425454 incl.	
579-719			PANEL ASSEMBLY - Right rear cockpit, blue	1	28-7525001 to 28-7625284 incl.	
62296-009		A	PANEL ASSEMBLY - Right rear cockpit, blue	1	28-21468 to 28-24999 inclusive	
66685-007		A	PANEL ASSEMBLY - Right rear cockpit, blue	1	28-25000 to 28-26400 inclusive	
66982-007		A	PANEL ASSEMBLY - Right rear cockpit, blue	1	28-26401 to 28-26956 inclusive	
99148-007		A	PANEL ASSEMBLY - Right rear cockpit, blue	1	28-7125001 to 28-7125651 incl.	
99148-015		A	PANEL ASSEMBLY - Right rear cockpit, blue	1	28-7225001 to 28-7225612 incl.	
580-315		A	PANEL ASSEMBLY - Right rear cockpit, blue	1	28-7325001 to 28-7325684 incl.	
579-810	A	PANEL ASSEMBLY - Right rear cockpit, blue	1	28-7425001 to 28-7425454 incl.		
579-720	A	PANEL ASSEMBLY - Right rear cockpit, blue	1	28-7525001 to 28-7625284 incl.		
62296-010		PANEL ASSEMBLY - Right rear cockpit, beige	1	28-21468 to 28-24999 inclusive		
66685-008		PANEL ASSEMBLY - Right rear cockpit, beige	1	28-25000 to 28-26400 inclusive		
66982-008		PANEL ASSEMBLY - Right rear cockpit, beige	1	28-26401 to 28-26956 inclusive		
99148-004		PANEL ASSEMBLY - Right rear cockpit, beige	1	28-7125001 to 28-7125651 incl.		
99148-012	B	PANEL ASSEMBLY - Right rear cockpit, beige	1	28-7225001 to 28-7225612 incl.		
580-342		PANEL ASSEMBLY - Right rear cockpit, gold	1	28-7325001 to 28-7325684 incl.		
579-813		PANEL ASSEMBLY - Right rear cockpit, gold	1	28-7425001 to 28-7625284 incl.		

A - Used when rear seats are installed and includes cutout for ash tray.
 B - If ordering for Flite Liner, it will be necessary to specify color beige or gold.

When ordering, always specify Part Number, Description, and Serial Number of Aircraft

PIPER PARTS CATALOG

Figure and Index Number	Part Number	Code	NOMENCLATURE	No. Req.	SERIAL NUMBERS AFFECTED	
26 -6	62296-011	A	PANEL ASSEMBLY - Right rear cockpit, beige	1	28-21468 to 28-24999 inclusive	
	66685-009	A	PANEL ASSEMBLY - Right rear cockpit, beige	1	28-25000 to 28-26400 inclusive	
	66982-009	A	PANEL ASSEMBLY - Right rear cockpit, beige	1	28-26401 to 28-26956 inclusive	
	99148-008	A	PANEL ASSEMBLY - Right rear cockpit, beige	1	28-7125001 to 28-7125651 incl.	
	99148-016	A,B	PANEL ASSEMBLY - Right rear cockpit, beige	1	28-7225001 to 28-7225612 incl.	
	580-346	A	PANEL ASSEMBLY - Right rear cockpit, gold	1	28-7325001 to 28-7325684 incl.	
	579-809	A	PANEL ASSEMBLY - Right rear cockpit, gold	1	28-7425001 to 28-7625284 incl.	
	99148-005		PANEL ASSEMBLY - Right rear cockpit, green	1	28-7125001 to 28-7125651 incl.	
	99148-013		PANEL ASSEMBLY - Right rear cockpit, green	1	28-7225001 to 28-7225612 incl.	
	580-343		PANEL ASSEMBLY - Right rear cockpit, green	1	28-7325001 to 28-7325684 incl.	
	579-812		PANEL ASSEMBLY - Right rear cockpit, green	1	28-7425001 to 28-7625284 incl.	
	99148-009	A	PANEL ASSEMBLY - Right rear cockpit, green	1	28-7125001 to 28-7125651 incl.	
	99148-017	A	PANEL ASSEMBLY - Right rear cockpit, green	1	28-7225001 to 28-7225612 incl.	
	580-347	A	PANEL ASSEMBLY - Right rear cockpit, green	1	28-7325001 to 28-7325684 incl.	
	579-808	A	PANEL ASSEMBLY - Right rear cockpit, green	1	28-7425001 to 28-7625284 incl.	
	580-723		PANEL ASSEMBLY - Right rear cockpit, mushroom	1	28-7725001 and up	
	580-791		PANEL ASSEMBLY - Right rear cockpit, camel	1	28-7725001 and up	
	580-727	A	PANEL ASSEMBLY - Right rear cockpit, mushroom	1	28-7725001 and up	
	580-792	A	PANEL ASSEMBLY - Right rear cockpit, camel	1	28-7725001 and up	
	-7	62826-000		COVER - Flap handle, brown	1	28-20002 to 28-20160 inclusive
62826-002			COVER - Flap handle, black	1	23-20002 to 28-20160 inclusive	
65224-002			COVER - Flap handle, brown	1	28-20161 to 28-26956 inclusive	
65224-005			COVER - Flap handle, gray	1	23-20161 to 28-26956 inclusive	
65224-004			COVER - Flap handle, blue	1	28-21468 to 28-26956 inclusive	
65224-006			COVER - Flap handle, red	1	28-21468 to 28-26956 inclusive	
65224-007			COVER - Flap handle, black	1	28-20002 to 28-26956 inclusive	
99243-004			COVER - Flap handle, red	1	28-7125001 to 28-7225612 incl.	
99243-003			COVER - Flap handle, blue	1	28-7125001 to 28-7225612 incl.	
99243-005			COVER - Flap handle, black	1	28-7125001 to 28-7225612 incl.	
67785-017		C	COVER ASSEMBLY - Flap handle	1	28-7325001 to 28-7625284 incl.	
67785-017		D	COVER ASSEMBLY - Flap handle, bark	1	28-7725001 and up	
-7a		67786-000		PLACARD - Stabilator trim	1	28-7325001 and up
-8		62827-007		SHIELD - Flap handle cover	1	28-20002 to 28-7225612 incl.
	65672-005		SHIELD - Flap handle cover	1	28-7325001 and up	
-9	62694-000		PLATE ASSEMBLY - Assist handle	1	28-20002 to 28-24999 inclusive	
-10	63008-002		ARMREST ASSEMBLY - Brown	1	28-20002 to 28-21467 inclusive	
	63008-005		ARMREST ASSEMBLY - Gray	1	28-20002 to 28-21467 inclusive	
	63008-012		ARMREST ASSEMBLY - Red	1	28-21468 to 28-24999 inclusive	
	63008-013		ARMREST ASSEMBLY - brown	1	28-21468 to 28-24999 inclusive	
	63008-014		ARMREST ASSEMBLY - Blue	1	28-21468 to 28-24999 inclusive	
	63008-022		ARMREST ASSEMBLY - Beige	1	28-21468 to 28-24999 inclusive	
-10a	66710-016		HOUSING ASSEMBLY - Armrest	1		
-11	763-003		* BOX ASSEMBLY - Ash tray (S-25-AR-C)	1		
-11a	66710-044	C	PAD - Armrest	1	28-25000 to 28-7625284 incl.	
	66710-021		PAD - Armrest, brown	1	28-25000 to 28-26956 inclusive	
	580-730		PAD - Armrest, mushroom	1	28-7725001 and up	
	580-731		PAD - Armrest, camel	1	28-7725001 and up	

A - Used when rear seats are installed and includes cutout for ash tray.
 B - If ordering for Flite Liner, it will be necessary to specify color beige or gold.
 C - When ordering, specify color red, blue/green, gold, black or green.
 D - When ordering for serial numbers 28-7725001 to 28-7725174 inclusive specify color, "Bark I". When ordering for serial numbers 28-7725175 and up, specify color "Bark II".

When ordering, always specify Part Number, Description, and Serial Number of Aircraft

PIPER PARTS CATALOG

Figure and Index Number	Part Number	Code	NOMENCLATURE	No. Req.	SERIAL NUMBERS AFFECTED
26 -12	63118-000		SILL - Door	1	28-20002 to 28-22945 inclusive
	65546-000		SILL - Door	1	28-22946 to 28-7625030 incl
-13	65546-004		SILL - Door	1	28-7625031 and up
	63130-000		PLATE - Heel	2	28-20002 to 28-20520 inclusive
-14	63130-002		PLATE - Heel	2	28-20521 and up
	63131-000		COVER ASSEMBLY - Trim, brown	2	28-20002 to 28-22945 inclusive
	65674-005		COVER ASSEMBLY - Trim, brown	2	28-22946 to 28-26956 inclusive
	63131-003		COVER ASSEMBLY - Trim, gray	2	28-20002 to 28-20520 inclusive
	63131-008		COVER ASSEMBLY - Trim, blue	2	28-21468 to 28-22945 inclusive
	65674-006		COVER ASSEMBLY - Trim, blue	2	28-22946 to 28-7625284 incl.
	63131-010		COVER ASSEMBLY - Trim, red	2	28-21468 to 28-22945 inclusive
	65674-007		COVER ASSEMBLY - Trim, red	2	28-22946 to 28-7625284 incl.
	65674-009		COVER ASSEMBLY - Trim, black	2	28-20002 to 28-7625284 incl.
	65674-015		COVER ASSEMBLY - Trim, black	2	28-7725001 and up
-15	63144-000		COVER - Inboard	2	
-16	63153-000		HANDLE - Assist	1	28-20002 to 28-24999 inclusive
	67235-000		GRIP - Handhold assist	2	28-25000 to 28-7225612 incl.
-17	63142-035		TRIM STRIP - Headlining	1	28-20002 to 28-7125651 incl.
	63142-036		TRIM STRIP - Headlining	1	28-7225001 to 28-7325684 incl.
-18	63142-010		TRIM STRIP - Headlining, left	1	28-20002 to 28-7325684 incl.
	63142-009		TRIM STRIP - Headlining, right	1	28-20002 to 28-7325684 incl.
-19	63142-011		TRIM STRIP - Cockpit, left	1	28-20002 to 28-7225612 incl.
-20	63142-013		TRIM STRIP - Door frame, top rear	1	28-20002 to 28-7325294 incl.
	63142-045		TRIM STRIP - Door frame, top rear	1	28-7325295 to 28-7625030 incl.
	63142-055		TRIM STRIP - Door frame, top rear	1	28-7625031 and up
-21	63142-014		TRIM STRIP - Door frame, front	1	28-20002 to 28-7325394 incl.
	63142-006		TRIM STRIP - Door frame, front	1	28-7325295 to 28-7625030 incl.
	63142-050		TRIM STRIP - Door frame, front	1	28-7625031 and up
-22	63142-002		TRIM STRIP - Door frame, bottom rear	1	28-20002 to 28-7625030 incl.
	63142-056		TRIM STRIP - Door frame, bottom rear	1	28-7625031 and up
-23	764-114		VISOR ASSEMBLY - Sun	2	28-20002 to 28-26400 inclusive
-24	63229-002		SUPPORT ASSEMBLY - Sun visor	1	28-20002 to 28-26400 inclusive
-25	63900-044		BUSHING - Sun visor support	1	28-20002 to 28-26400 inclusive
-26	63260-000		BLANKET - Firewall	1	28-20002 to 28-22531 inclusive
	65497-000		BLANKET - Firewall	1	28-22532 to 28-24999 inclusive
	99818-000		BLANKET - Firewall	1	28-25 000 and up
-27	63930-000		COVER - Cowl	1	28-20002 to 28-22959 inclusive
	67325-000		COVER - Cowl	1	28-22960 and up
-28	63940-000		COVER - Tee bar, brown	1	28-20002 to 28-21467 inclusive
	63940-002		COVER - Tee bar, gray	1	28-20002 to 28-21467 inclusive
	63940-003		COVER - Tee bar, red	1	28-21468 to 28-24999 inclusive
	63940-004		COVER - Tee bar, brown	1	28-21468 to 28-24999 inclusive
	63940-005		COVER - Tee bar, blue	1	28-21468 to 28-24999 inclusive
	63940-006		COVER - Tee bar, beige	1	28-21468 to 28-24999 inclusive
	454-838		CLIP - Tow bar (225L)	2	
-29	99458-000		BAR ASSEMBLY - Tow	1	
-30	99458-000		BAR ASSEMBLY - Tow	1	
-31	489-371		TRAY - Ash (with retainer)	1	28-20002 to 28-20160 inclusive

When ordering, always specify Part Number, Description, and Serial Number of Aircraft

PIPER PARTS CATALOG

Figure and Index Number	Part Number	Code	NOMENCLATURE	No. Req.	SERIAL NUMBERS AFFECTED
26 -32	62259-000		BRACE - Baggage	1	
-33	453-691		BUTTON - Plug (SS48151)	2	
-34	63744-006		PIN - Baggage floor hinge	2	
-35	62264-000		HINGE HALF - Baggage floor	2	
-36	62265-000	A	FLOOR - Baggage	1	28-20002 to 28-20909 inclusive
	65513-000		FLOOR - Baggage	1	28-20910 to 28-26956 inclusive
	99356-000		FLOOR - Baggage	1	28-7125001 to 28-7125651 incl.
	99356-002		FLOOR - Baggage	1	28-7225001 and up
-37	62269-002	A	TRIM STRIP - Baggage floor, right	1	28-20002 to 28-20909 inclusive
	62269-005		TRIM STRIP - Baggage floor, right	1	28-20910 to 28-26956 inclusive
	62269-011		TRIM STRIP - Baggage floor, right front	1	28-7125001 and up
	62269-009		TRIM STRIP - Baggage floor, right rear	1	28-7125001 to 28-7125651 incl.
	99715-000		TRIM STRIP - Baggage floor, right rear	1	28-7225001 and up
-38	62269-006		TRIM STRIP - Baggage floor, front	1	
-39	62272-000		TRIM STRIP - Baggage floor, rear	1	28-20002 to 28-7125651 incl.
	99714-000		TRIM STRIP - Baggage floor, rear	1	28-7225001 and up
-40	453-706		BUMPER - Baggage floor (91021)	3	
-41	17870-006		STRAP ASSEMBLY - Baggage tie down (buckle end)	1	28-20002 to 28-20087 inclusive
	66805-000		STRAP ASSEMBLY - Baggage tie down (buckle end) black	2	28-20088 and up
-42	17871-008		STRAP ASSEMBLY - Baggage tie down (tip end)	1	28-20002 to 28-20087 inclusive
	66804-000		STRAP ASSEMBLY - Baggage tie down (tip end) black	2	28-20088 and up
-43	62267-002	A	CARPET ASSEMBLY - Baggage floor and spar, brown	1	28-20002 to 28-20909 inclusive
	62267-003	A	CARPET ASSEMBLY - Baggage floor and spar, gray	1	28-20002 to 28-20909 inclusive
	65514 000		CARPET ASSEMBLY - Baggage floor and spar, brown	1	28-20910 to 28-24999 inclusive
	65514-004		CARPET ASSEMBLY - Baggage floor and spar, gray	1	28-20910 to 28-24999 inclusive
	65514-002		CARPET ASSEMBLY - Baggage floor and spar, red	1	28-21468 to 28-24999 inclusive
	65514-003		CARPET ASSEMBLY - Baggage floor and spar, blue	1	28-21468 to 28-24999 inclusive
	65514-005		CARPET ASSEMBLY - Baggage floor and spar, black	1	28-20002 to 28-24999 inclusive
	66709-002		CARPET ASSEMBLY - Baggage floor, brown	1	28-25000 to 28-26956 inclusive
	66709-003		CARPET ASSEMBLY - Baggage floor, red	1	28-25000 to 28-26956 inclusive
	66709-004		CARPET ASSEMBLY - Baggage floor, blue	1	28-25000 to 28-26956 inclusive
	66709-005		CARPET ASSEMBLY - Baggage floor, black	1	28-25000 to 28-26956 inclusive
	66709-010		CARPET ASSEMBLY - Baggage floor, red	1	28-7125001 to 28-7125651 incl.
	66709-011		CARPET ASSEMBLY - Baggage floor, blue	1	28-7125001 to 28-7125651 incl.
	66709-012		CARPET ASSEMBLY - Baggage floor, black	1	28-7125001 to 28-7125651 incl.
	66709-008		CARPET ASSEMBLY - Baggage floor, red	1	28-7225001 to 28-7425454 incl.
	66709-006		CARPET ASSEMBLY - Baggage floor, blue	1	28-7225001 to 28-7425454 incl.
	66709-009		CARPET ASSEMBLY - Baggage floor, black	1	28-7225001 to 28-7425454 incl.
	591-003		CARPET ASSEMBLY - Baggage floor, red	1	28-7525001 to 28-7625284 incl.
	580-942		CARPET ASSEMBLY - Baggage floor, blue	1	28-7525001 to 28-7625284 incl.
	591-004		CARPET ASSEMBLY - Baggage floor, black	1	28-7525001 and up
	591-489		CARPET ASSEMBLY - Baggage floor, heather brown	1	28-7725001 and up
<p>A - If kit 756-962 has been installed, order part for serial numbers 28-20910 to 28-20939 inclusive.</p>					

When ordering, always specify Part Number, Description, and Serial Number of Aircraft

PIPER PARTS CATALOG

Figure and Index Number	Part Number	Code	NOMENCLATURE	No. Req.	SERIAL NUMBERS AFFECTED	
26 -44	63116-026		CARPET - Floor, front, left, gray	1	28-20002 to 28-21467 inclusive	
	63116-037		CARPET - Floor, front, left, brown	1	28-20002 to 28-26956 inclusive	
	63116-097		CARPET - Floor, front, left, red	1	28-21468 to 28-7125651 incl.	
	67907-002		CARPET - Floor, front, left, red	1	28-7225001 to 28-7425454 incl.	
	591-036		CARPET - Floor, front, left, red	1	28-7525001 to 28-7625284 incl.	
	63116-052		CARPET - Floor, front, left, blue	1	28-21468 to 28-7125651 incl.	
	67907-006		CARPET - Floor, front, left, blue	1	28-7225001 to 28-7425454 incl.	
	591-038		CARPET - Floor, front, left, blue	1	28-7525001 to 28-7625284 incl.	
	63116-136		CARPET - Floor, front, left, black	1	28-20002 to 28-7125651 incl.	
	67907-004		CARPET - Floor, front, left, black	1	28-7225001 to 28-7425454 incl.	
	591-037		CARPET - Floor, front, left, black	1	28-7525001 and up	
	591-505		CARPET - Floor, front, left, heather brown	1	28-7725001 and up	
	79236-006	A,B	CARPET - Floor, front, left	1	28-7425001 to 28-7425454 incl.	
	591-190	A	CARPET - Floor, front, left, red	1	28-7525001 to 28-7625284 incl.	
	591-192	A	CARPET - Floor, front, left, blue	1	28-7525001 to 28-7625284 incl.	
	591-191	A	CARPET - Floor, front, left, black	1	28-7525001 and up	
	63116-027		CARPET - Floor, front, right, gray	1	28-20002 to 28-21467 inclusive	
	63116-038		CARPET - Floor, front, right, brown	1	28-20002 to 28-26956 inclusive	
	63116-098		CARPET - Floor, front, right, red	1	28-21468 to 28-7125651 incl.	
	67907-003		CARPET - Floor, front, right, red	1	28-7225001 to 28-7425454 incl.	
	591-039		CARPET - Floor, front, right, red	1	28-7525001 to 28-7625284 incl.	
	63116-053		CARPET - Floor, front, right, blue	1	28-21468 to 28-7125651 incl.	
	67907-007		CARPET - Floor, front, right, blue	1	28-7225001 to 28-7425454 incl.	
	591-041		CARPET - Floor, front, right, blue	1	28-7525001 to 28-7625284 incl.	
	63116-137		CARPET - Floor, front, right, black	1	28-20002 to 28-7125651 incl.	
	67907-005		CARPET - Floor, front, right, black	1	28-7225001 to 28-7425454 incl.	
	591-040		CARPET - Floor, front, right, black	1	28-7525001 and up	
	591-507		CARPET - Floor, front, right, heather brown	1	28-7725001 and up	
	79236-007	A,B	CARPET - Floor, front, right	1	28-7425001 to 28-7425454 incl.	
	591-196	A	CARPET - Floor, front, right, red	1	28-7525001 to 28-7625284 incl.	
	591-198	A	CARPET - Floor, front, right, blue	1	28-7525001 to 28-7625284 incl.	
	591-197	A	CARPET - Floor, front, right, black	1	28-7525001 and up	
	-45	63116-006		CARPET - Floor, rear outboard, brown	2	28-20002 to 28-26956 inclusive
		63116-024		CARPET - Floor, rear outboard, gray	2	28-20002 to 28-21467 inclusive
		63116-093		CARPET - Floor, rear outboard, red	2	28-21468 to 28-7125651 incl.
		63116-048		CARPET - Floor, rear outboard, blue	2	28-21468 to 28-7125651 incl.
		63116-132		CARPET - Floor, rear outboard, black	2	28-20002 to 28-7125651 incl.
		67905-002		CARPET - Floor, rear outboard, red	2	28-7225001 to 28-7425454 incl.
		67905-004		CARPET - Floor, rear outboard, blue	2	28-7225001 to 28-7425454 incl.
		67905-003		CARPET - Floor, rear outboard, black	2	28-7225001 to 28-7425454 incl.
		591-026		CARPET - Floor, rear outboard, red	2	28-7525001 to 28-7625284 incl.
		591-028		CARPET - Floor, rear outboard, blue	2	28-7525001 to 28-7625284 incl.
		591-027		CARPET - Floor, rear outboard, black	2	28-7525001 and up
		591-501		CARPET - Floor, rear outboard, heather brown	2	28-7725001 and up
79236-016		A,B	CARPET - Floor, rear outboard	2	28-7425001 to 28-7425454 incl.	
591-275		A	CARPET - Floor, rear outboard, red	2	28-7525001 to 28-7625284 incl.	
591-277		A	CARPET - Floor, rear outboard, blue	2	28-7525001 to 28-7625284 incl.	
591-276		A	CARPET - Floor, rear outboard, black	2	28-7525001 and up	

A - Used if sound reduction carpeting is installed.
B - When ordering, specify color red, blue or black.

When ordering, always specify Part Number, Description, and Serial Number of Aircraft

PIPER PARTS CATALOG

Figure and Index Number	Part Number	Code	NOMENCLATURE	No. Req.	SERIAL NUMBERS AFFECTED	
26 -46	63116-019		CARPET - Floor, rear inboard, brown	2	28-20002 to 28-26956 incl.	
	63116-031		CARPET - Floor, rear inboard, gray	2	28-20002 to 28-21467 incl.	
	63116-095		CARPET - Floor, rear inboard, red	2	28-21468 to 28-26956 incl.	
	63116-050		CARPET - Floor, rear inboard, blue	2	28-21468 to 28-26956 incl.	
	63116-134		CARPET - Floor, rear inboard, black	2	28-20002 to 28-26956 incl.	
	99113-012		CARPET - Floor, left rear inboard, red	1	28-7125001 to 28-7125651 incl.	
	99113-014		CARPET - Floor, left rear inboard, blue	1	28-7125001 to 28-7125651 incl.	
	99113-016		CARPET - Floor, left rear inboard, black	1	28-7125001 to 28-7125651 incl.	
	99113-013		CARPET - Floor, right rear inboard, red	1	28-7125001 to 28-7125651 incl.	
	99113-015		CARPET - Floor, right rear inboard, blue	1	28-7125001 to 28-7125651 incl.	
	99113-017		CARPET - Floor, right rear inboard, black	1	28-7125001 to 28-7125651 incl.	
	99113-02		CARPET - Floor, left rear inboard, red	1	28-7225001 to 28-7425454 incl.	
	99113-06		CARPET - Floor, left rear inboard, blue	1	28-7225001 to 28-7425454 incl.	
	99113-04		CARPET - Floor, left rear inboard, black	1	28-7225001 to 28-7425454 incl.	
	591-390		CARPET - Floor, left rear inboard, red	1	28-7525001 to 28-7625284 incl.	
	591-392		CARPET - Floor, left rear inboard, blue	1	28-7525001 to 28-7625284 incl.	
	591-391		CARPET - Floor, left rear inboard, black	1	28-7525001 and up	
	591-573		CARPET - Floor, left rear inboard, heather brown	1	28-7725001 and up	
	99113-003		CARPET - Floor, right rear inboard, red	1	28-7225001 to 28-7425454 incl.	
	99113-007		CARPET - Floor, right rear inboard, blue	1	28-7225001 to 28-7425454 incl.	
	99113-005		CARPET - Floor, right rear inboard, black	1	28-7225001 to 28-7425454 incl.	
	591-393		CARPET - Floor, right rear inboard, red	1	28-7525001 to 28-7625284 incl.	
	591-395		CARPET - Floor, right rear inboard, blue	1	28-7525001 to 28-7625284 incl.	
	591-394		CARPET - Floor, right rear inboard, black	1	28-7525001 and up	
	591-575		CARPET - Floor, right rear inboard, heather brown	1	28-7725001 and up	
	-47	63116-004		CARPET - Floor, rear center, brown	2	28-20002 to 28-26956 incl.
		63116-023		CARPET - Floor, rear center, gray	2	28-20002 to 28-21467 incl.
		63116-094		CARPET - Floor, rear center, red	2	28-21468 to 28-7125651 incl.
		63116-049		CARPET - Floor, rear center, blue	2	28-21468 to 28-7125651 incl.
		63116-133		CARPET - Floor, rear center, black	2	28-20002 to 28-7125651 incl.
		67906-002		CARPET - Floor, rear center, red	2	28-7225001 to 28-7425454 incl.
		67906-004		CARPET - Floor, rear center, black	2	28-7225001 to 28-7425454 incl.
		67906-003		CARPET - Floor, rear center, black	2	28-7225001 to 28-7425454 incl.
		591-031		CARPET - Floor, rear center, red	2	28-7525001 to 28-7625284 incl.
591-033			CARPET - Floor, rear center, blue	2	28-7525001 to 28-7625284 incl.	
591-032			CARPET - Floor, rear center, black	2	28-7525001 and up	
591-503			CARPET - Floor, rear center, heather brown	2	28-7725001 and up	
79236-005		A,B	CARPET - Floor, rear center	1	28-7425001 to 28-7425454 incl.	
591-182		A	CARPET - Floor, rear center, red	2	28-7525001 to 28-7625284 incl.	
591-184		A	CARPET - Floor, rear center, blue	2	28-7525001 to 28-7625284 incl.	
591-183		A	CARPET - Floor, rear center, black	2	28-7525001 and up	

A - Used if sound reduction carpeting is installed.
B - When ordering, specify color red, blue or black.

When ordering, always specify Part Number, Description, and Serial Number of Aircraft

PIPER PARTS CATALOG

Figure and Index Number	Part Number	Code	NOMENCLATURE	No. Req.	SERIAL NUMBERS AFFECTED
26 -48	63116-017		CARPET ASSEMBLY - Tunnel, top, brown	1	28-20002 to 28-26956 incl.
	63116-034		CARPET ASSEMBLY - Tunnel, top, gray	1	28-20002 to 28-21467 incl.
	63116-087		CARPET ASSEMBLY - Tunnel, top, red	1	28-21468 to 28-26956 incl.
	63116-088		CARPET ASSEMBLY - Tunnel, top, blue	1	28-21468 to 28-26956 incl.
	63116-155		CARPET ASSEMBLY - Tunnel, top, black	1	28-20002 to 28-26956 incl.
	99114-011		CARPET ASSEMBLY - Tunnel, top, red	1	28-7125001 to 28-7425454 incl.
	99114-012		CARPET ASSEMBLY - Tunnel, top, blue	1	28-7125001 to 28-7425454 incl.
	99114-013		CARPET ASSEMBLY - Tunnel, top, black	1	28-7125001 to 28-7425454 incl.
	591-396		CARPET ASSEMBLY - Tunnel, top, red	1	28-7525001 to 28-7625284 incl.
	591-398		CARPET ASSEMBLY - Tunnel, top, blue	1	28-7525001 to 28-7625284 incl.
	591-397		CARPET ASSEMBLY - Tunnel, top, black	1	28-7525001 and up
	591-577		CARPET ASSEMBLY - Tunnel, top, heather brown	1	28-7725001 and up
-49	63116-012		CARPET ASSEMBLY - Tunnel, side, left, brown	1	28-20002 to 28-24999 incl.
	63116-033		CARPET ASSEMBLY - Tunnel, side, left, gray	1	28-20002 to 28-21467 incl.
	63116-103		CARPET ASSEMBLY - Tunnel, side, left, red	1	28-21468 to 28-24999 incl.
	63116-063		CARPET ASSEMBLY - Tunnel, side, left, blue	1	28-21468 to 28-24999 incl.
	63116-150		CARPET ASSEMBLY - Tunnel, side, left, black	1	28-20002 to 28-24999 incl.
	63116-123		CARPET ASSEMBLY - Tunnel, side, left, brown	1	28-25000 to 28-26956 incl.
	63116-125		CARPET ASSEMBLY - Tunnel, side, left, red	1	28-25000 to 28-7125651 incl.
	63116-124		CARPET ASSEMBLY - Tunnel, side, left, blue	1	28-25000 to 28-7125651 incl.
	63116-139		CARPET ASSEMBLY - Tunnel, side, left, black	1	28-25000 to 28-7125651 incl.
	67904-002		CARPET ASSEMBLY - Tunnel, side, left, red	1	28-7225001 to 28-7425454 incl.
	67904-006		CARPET ASSEMBLY - Tunnel, side, left, blue	1	28-7225001 to 28-7425454 incl.
	67904-004		CARPET ASSEMBLY - Tunnel, side, left, black	1	28-7225001 to 28-7425454 incl.
	591-016		CARPET ASSEMBLY - Tunnel, side, left, red	1	28-7525001 to 28-7625284 incl.
	591-018		CARPET ASSEMBLY - Tunnel, side, left, blue	1	28-7525001 to 28-7625284 incl.
	591-017		CARPET ASSEMBLY - Tunnel, side, left, black	1	28-7525001 and up
	591-497		CARPET ASSEMBLY - Tunnel, side, left, heather brown	1	28-7725001 and up
	63116-021		CARPET ASSEMBLY - Tunnel, side, right, brown	1	28-20002 to 28-24999 incl.
	63116-035		CARPET ASSEMBLY - Tunnel, side, right, gray	1	28-20002 to 28-21467 incl.
	63116-083		CARPET ASSEMBLY - Tunnel, side, right, red	1	28-21468 to 28-24999 incl.
	63116-084		CARPET ASSEMBLY - Tunnel, side, right, blue	1	28-21468 to 28-24999 incl.
	63116-158		CARPET ASSEMBLY - Tunnel, side, right, black	1	28-20002 to 28-24999 incl.
	63116-127		CARPET ASSEMBLY - Tunnel, side, right, brown	1	28-25000 to 28-26956 incl.
	63116-129		CARPET ASSEMBLY - Tunnel, side, right, red	1	28-25000 to 28-7125651 incl.
	63116-128		CARPET ASSEMBLY - Tunnel, side, right, blue	1	28-25000 to 28-7125651 incl.
	63116-126		CARPET ASSEMBLY - Tunnel, side, right, black	1	28-25000 to 28-7125651 incl.
	67904-003		CARPET ASSEMBLY - Tunnel, side, right, red	1	28-7225001 to 28-7425454 incl.
	67904-007		CARPET ASSEMBLY - Tunnel, side, right, blue	1	28-7225001 to 28-7425454 incl.
	67904-005		CARPET ASSEMBLY - Tunnel, side, right, black	1	28-7225001 to 28-7425454 incl.
	591-021		CARPET ASSEMBLY - Tunnel, side, right, red	1	28-7525001 to 28-7625284 incl.
	591-023		CARPET ASSEMBLY - Tunnel, side, right, blue	1	28-7525001 to 28-7625284 incl.
	591-022		CARPET ASSEMBLY - Tunnel, side, right, black	1	28-7525001 and up
	591-499		CARPET ASSEMBLY - Tunnel, side, right, heather brown	1	28-7725001 and up
-50	66687-002		CARPET ASSEMBLY - Spar box, brown	1	28-25000 to 28-26956 incl.
	66687-003		CARPET ASSEMBLY - Spar box, red	1	28-25000 to 28-26956 incl.
	66687-004		CARPET ASSEMBLY - Spar box, blue	1	28-25000 to 28-26956 incl.
	66687-005		CARPET ASSEMBLY - Spar box, black	1	28-25000 to 28-26956 incl.
	66687-010		CARPET ASSEMBLY - Spar box, red	1	28-7125001 to 28-7325684 incl.
	66687-011		CARPET ASSEMBLY - Spar box, blue	1	28-7125001 to 28-7325684 incl.
	66687-012		CARPET ASSEMBLY - Spar box, black	1	28-7125001 to 28-7325684 incl.
	66687-008		CARPET ASSEMBLY - Spar box, red	1	28-7425001 to 28-7425454 incl.
	66687-006		CARPET ASSEMBLY - Spar box, blue	1	28-7425001 to 28-7425454 incl.
	66687-009		CARPET ASSEMBLY - Spar box, black	1	28-7425001 to 28-7425454 incl.
	591-000		CARPET ASSEMBLY - Spar box, red	1	28-7525001 to 28-7625284 incl.
	591-002		CARPET ASSEMBLY - Spar box, blue	1	28-7525001 to 28-7625284 incl.
	591-001		CARPET ASSEMBLY - Spar box, black	1	28-7525001 and up
	591-487		CARPET ASSEMBLY - Spar box, heather brown	1	28-7725001 and up

When ordering, always specify Part Number, Description, and Serial Number of Aircraft

PIPER PARTS CATALOG

Figure and Index Number	Part Number	Code	NOMENCLATURE	No. Req.	SERIAL NUMBERS AFFECTED
26 -51	63149-002		TRIM STRIP - Windshield channel, left, brown	1	28-20002 to 28-21045 incl.
	63149-006		TRIM STRIP - Windshield channel, left, gray	1	28-20002 to 28-21045 incl.
	63149-010		TRIM STRIP - Windshield channel, left, sand	1	28-21046 to 28-7125194 incl.
	63149-014		TRIM STRIP - Windshield channel, left, white	1	28-7125195 and up
-52	63822-000	A,B	PLATE - Fuel selector	1	28-20002 to 28-26956 incl.
	99635-009	E	COVER ASSEMBLY - Fuel selector	1	28-7125001 and up
-52a	99184-000		PLACARD - Fuel selector	1	28-7125001 and up
-53	63949-000	F	HANDLE ASSEMBLY - Fuel selector valve	1	28-20002 to 28-26956 incl.
	99181-003		HANDLE ASSEMBLY - Fuel selector valve	1	28-7125001 and up
-54	63949-002	F	* INDICATOR	1	28-20002 to 28-26956 incl.
-55	63949-003	F	* HANDLE	1	28-20002 to 28-26956 incl.
-56	99252-002		COVER ASSEMBLY - Exhaust vent, red	2	28-7125001 to 28-7425414 incl.
	99252-003		COVER ASSEMBLY - Exhaust vent, blue	2	28-7125001 to 28-7425414 incl.
	99252-005		COVER ASSEMBLY - Exhaust vent, black	2	28-7125001 to 28-7125651 incl.
	99252-004		COVER ASSEMBLY - Exhaust vent, tan	2	28-7225001 to 28-7425414 incl.
	99252-007		COVER ASSEMBLY - Exhaust vent, green	2	28-7225001 to 28-7425414 incl.
	99252-010	E	COVER ASSEMBLY - Exhaust vent	2	28-7425415 and up
-57	78112-002		COVER - Cowl deck	1	28-7225001 to 28-7225612 incl.
	78112-003		COVER - Cowl deck	1	28-7325001 to 28-7425298 incl. 28-7425300 to 28-7425454 incl.
	78112-005		COVER - Cowl deck	1	28-7425299, 28-7525001 and up
-58	62278-002		RETAINER - Closeout panel, side, upper	2	
-59	62278-003		RETAINER - Closeout panel, side, lower	2	
-60	62278-004		RETAINER - Closeout panel, top	2	
-61	565-181		HOOK - Coat (1001 R.F.)	1	28-20696 to 28-7425454 incl.
-62	62269-002	C	TRIM STRIP - Baggage floor, left	1	28-20002 to 28-20909 incl.
	62269-004		TRIM STRIP - Baggage floor, left	1	28-20910 to 28-26956 inclusive
	62269-012		TRIM STRIP - Baggage floor, left front	1	28-71 25001 and up
	62269-010		TRIM STRIP - Baggage floor, left rear	1	28-7125001 to 28-7125651 incl.
	99715-000		TRIM STRIP - Baggage floor, left rear	1	28-7225001 and up
-63	65520-000	D	CABLE ASSEMBLY - Belt attachment	2	28-20910 to 28-7125651 incl.
	96908-000		CABLE ASSEMBLY - Belt attachment	2	28-7225001 and up
-64	68551-000	D	SLEEVE - Trim	3	28-20910 to 28-7125651 incl.
	99240-000		RING - Boot attachment	1	28-7225001 and up
-65	63106-007		WINDLACING - Door seal, gray	1	28-20002 to 28-21467 inclusive
	65564-002		WINDLACING - Door seal, white	1	28-20002 to 28-7125194 incl.
	69403-003		WINDLACING - Door seal, white	1	29-7125195 and up
-66	96684-000		FLOORBOARD - Rear, left and right	2	
-67	63164-000		FLOORBOARD - Front, left	1	28-20002 to 28-7325684 incl.
	76123-012		FLOORBOARD - Front, left	1	28-7425001 and up
	63164-001		FLOORBOARD - Front, right	1	28-20002 to 28-7325684 incl.
	76123-013		FLOORBOARD - Front, right	1	28-7425001 and up
-68	62353-004		LOOP ASSEMBLY - Assist, white	1	28-20002 to 28-7125194 incl.
	62353-005		LOOP ASSEMBLY - Assist, white	1	28-7125195 to 28-7425454 incl.
	79455-000	G	LOOP ASSEMBLY - Assist, white	1	28-7525001 and up

A - When ordering, specify color red, blue or light brown.
 B - Order part for serial numbers 28-7125001 and up if Fuel Selector Valve Cover Kit 760 546 has been installed.
 C - If Kit 756 962 has been installed, order part for serial numbers 28-20910 to 28-20939 inclusive.
 D - Used on serial numbers 28-20002 to 28-20909 inclusive if Kit 756 962 has been installed.
 E - When ordering, specify color red, blue/green, tan, black or green.
 F - Order part for serial numbers 28-7125001 to 28-7525003 inclusive if Fuel Selector Valve Cover Kit 760 546 has been installed.
 G - No longer available.

When ordering, always specify Part Number, Description, and Serial Number of Aircraft

PIPER PARTS CATALOG

Figure and Index Number	Part Number	Code	NOMENCLATURE	No. Req.	SERIAL NUMBERS AFFECTED
26 -69	65304-000		PANEL - Ash box	2	28-20002 to 28-24999 incl.
-70	453-141		BOX - Ash	2	28-20002 to 28-24999 incl.
-71	484-385		RETAINER - Ash box	2	28-20002 to 28-24999 incl.
-72	65286-005		KNOB - Ash box, red	2	28-20002 to 28-24999 incl.
	65286-006		KNOB - Ash box blue	2	28-20002 to 28-24999 incl.
	65286-007		KNOB - Ash box brown	2	28-20002 to 28-24999 incl.
	65286-008		KNOB - Ash box, tan	2	28-20002 to 28-24999 incl.
-73	65530-000		PLACARD - Baggage compartment	1	28-25000 to 28-7625234 incl.
	69669-171		PLACARD - Baggage compartment	1	28-7725001 and up
-74	65219-000		PLACARD - Rudder trim	1	28-25000 and up
-75	69288-000		PLACARD ASSEMBLY - Operating limitations, mph	1	28-25000 to 28-7225612 incl.
	69288-003		PLACARD - Operating limitations, mph	1	28-7325001 to 28-7625284 incl.
	79157-000		PLACARD ASSEMBLY - Operating limitations, knots	1	28-25000 to 28-7225612 incl.
	69669-005		PLACARD - Operating limitations, knots	1	28-7325001 to 28-7625284 incl.
	69669-142		PLACARD - Operating limitations, knots	1	28-7725001 and up
	99811-002	A	PLACARD - Operating limitations, mph	1	28-25001 to 28-7125472 to 28-7625284 inclusive
	69669-006	A	PLACARD - Operating limitations, knots	1	28-25001 to 28-7125472 to 28-7625284 inclusive
	69669-154	A	PLACARD - Operating limitations, knots	1	28-7725001 and up
-76	67315 000		COVER ASSEMBLY - Access	2	28-25000 to 28-26956 incl.
-77	67330-010	C	COVER - Console	1	28-25000 and up
-78	67232-015		COVER ASSEMBLY - Engine controls	1	28-25000 to 28-7625284 incl.
	67232-026	B	COVER ASSEMBLY - Engine controls	1	28-7125174 to 28-7625284 incl.
	67232-040	D	COVER ASSEMBLY - Engine controls, bark	1	28-7725001 and up
-79	65846-000		* PLACARD - Engine controls	1	
-80	99737-002		COVER ASSEMBLY - Shoulder harness, forward, left	1	28-7225001 to 28-7225612 incl.
	78054-002		COVER ASSEMBLY - Shoulder harness, forward, left	1	28-7325001 and up
	99801-000		COVER ASSEMBLY - Shoulder harness, forward, right	1	28-7225001 to 28-7225612 incl.
	99801-002		COVER ASSEMBLY - Shoulder harness, forward, right	1	28-7325001 and up
-81	65869-000		BEARING - Sun visor	2	28-26401 and up
-82	79445-000		DOOR ASSEMBLY - Rear bulkhead	1	28-25000 and up
-83	66670-000		BULKHEAD ASSEMBLY - Cabin, rear	1	28-25000 and up
-84	65530-000		* PLACARD - Bulkhead assembly	1	28-25000 and up
-85	489-388		TRAY - Ash, chrome	2	28-25000 and up
-86	65735-006		FLANGE - Air vent, brown	4	28-25000 to 28-26956 incl.
	65735-019	C	FLANGE - Air vent	4	28-25000 and up
-87	65735-003		CUP - Air vent, brown	4	28-25000 to 28-26956 incl.
	65735-018	C	CUP - Air vent	4	28-25000 and up
-88	68416-000		VENT ASSEMBLY - Air, forward, left (complete)	1	28-25000 and up
	68416 001		VENT ASSEMBLY - Air, forward, right (complete)	1	28-25000 and up
	68556-000		VENT ASSEMBLY - Air, aft, left (complete)	1	28-25000 and up
	68556-001		VENT ASSEMBLY - Air, aft, right (complete)	1	28-25000 and up

A - Used if air conditioning or fresh air blower is installed.
 B - Used on Flite Liner Model only.
 C - When ordering, specify color red, blue/green, gold, black, green or bark. Specify color "Bark I" for serial number 28-7725001 to 28-7725174 inclusive. Specify color "Bark II" for serial number 28-7725175 and up.
 D - When ordering for serial number 28-7725001 to 28-7725174 inclusive, specify color "Bark I". When ordering for serial number 28-7725175 and up, specify color "Bark II".

When ordering, always specify Part Number, Description, and Serial Number of Aircraft

PIPER PARTS CATALOG

Figure and Index Number	Part Number	Code	NOMENCLATURE	No. Req.	SERIAL NUMBERS AFFECTED
26 -89	68671-000		* VALVE ASSEMBLY - Air vent	1	28-25000 and up
-90	68499-004		* SHAFT ASSEMBLY - Air vent valve, left	1	28-25000 and up
	68499-005		* SHAFT ASSEMBLY - Air vent valve, right	1	28-25000 and up
-91	68584-000		GASKET - Air vent assembly	4	28-25000 and up
-92	473-185		LOUVER - Cabin air	2	28-25000 to 28-25800 inclusive
	66788-000		COVER - Cabin air, red, left	1	28-25801 to 28-26956 inclusive
	66788-001		COVER - Cabin air, red, right	1	28-25801 to 28-26956 inclusive
	66788-002		COVER - Cabin air, brown, left	1	28-25801 to 28-26956 inclusive
	66788 003		COVER - Cabin air, brown, right	1	28-25801 to 28-26956 inclusive
	66788-004		COVER - Cabin air, blue, left	1	28-25801 to 28-26956 inclusive
	66788-005		COVER - Cabin air, blue, right	1	28-25801 to 28-26956 inclusive
	66788-006		COVER - Cabin air, black, left	1	28-25801 to 28-26956 inclusive
	66788-007		COVER - Cabin air, black, right	1	28-25801 to 28-26956 inclusive
-93	65866-000		BLADE - Sun visor	2	28-26401 to 28-7625284 incl.
	79783-002		BLADE - Sun visor, pilot	1	28-7725001 and up
	65866-000		BLADE - Sun visor, co-pilot	1	28-7725001 and up
-94	65865-000		RETAINER - Sun visor	2	28-26401 and up
-95	65867-000		ROD - Sun visor	2	28-26401 and up
-96	65870-000		CLIP - Sun visor, upper left and lower right	2	28-26401 and up
-97	65871-000		CLIP - Sun visor, lower left and upper right	2	28-26401 and up
-98	99967-000		RETAINER - Glare shield, left	1	28-7325001 and up
	99968-000		RETAINER - Glare shield, right	1	28-7325001 and up
-99	76221-000		CLIP - Shoulder harness retaining	1	28-7325161 and up
-100	79125-000		CAP - Trim, left	1	28-7325001 and up
	79125-001		CAP - Trim, right	1	28-7325001 and up
-101	99991-000		COVER - Transponder antenna	1	28-7225093 to 28-7225503 incl.
-102	79456-000		CAP - Assist strap	1	
-103	79404-000		COVER - Trim, radio cooling	1	28-7425299, 28-7525001 and up
-104	79559-000		CORNER - Baggage floor	2	28-7225001 and up
-105	66787-000		PLACARD - Cabin bulkhead	1	
-106	415-377		SCREW - (MS51957-28)	4	
	477-696		NUT - Dome (8061-NP)	4	
-107	515-710		SCREW - (MS51957-31)	2	28-7325001 and up
	407-562		WASHER - (AN960-6)	2	28-7325001 and up
	404-528		NUT - (MS21042-06)	2	28-7325001 and up
-108	36588-004		SCREW AND POST ASSEMBLY - Retainer	2	28-26401 and up
-109	484-691		RIVET - Plastic (201-120751-00-0103)	2	28-26401 and up
-110	419-905		SCREW - (14 x 2 1/2" long)	2	28-20002 to 28-24999 incl.
	419-594		SCREW - (AN530-10R36)	2	28-25000 and up
-111	99736-003		ESCUTCHEON - Shoulder harness belt	2	28-7225001 and up

When ordering, always specify Part Number, Description, and Serial Number of Aircraft

THIS PAGE INTENTIONALLY LEFT BLANK

PIPER PARTS CATALOG

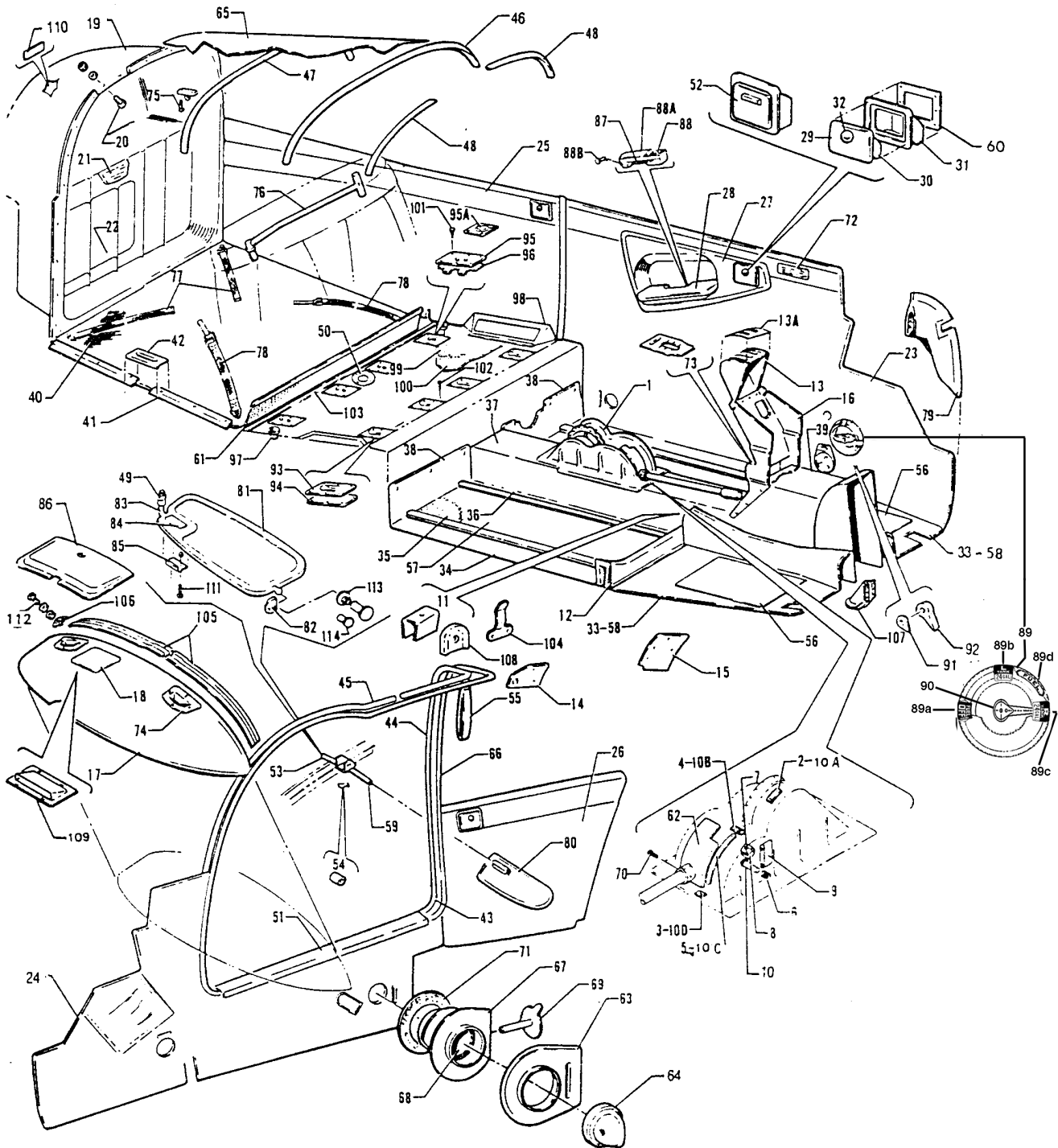


Figure 27. Cockpit Finishing Installation
 (PA-28-180 - Serial Nos. 28-4378 and up)
 (PA-28R-180 - Serial Nos. 28R-30005 to 28R-30481 inclusive, 28R-30483 and up)
 (PA-28R-200 - Serial Nos. 28R-30482, 28R-35001 and up)

THIS PAGE INTENTIONALLY LEFT BLANK

PIPER PARTS CATALOG

Figure and Index Number	Part Number	Code	NOMENCLATURE	No. Req.	SERIAL NUMBERS AFFECTED
27-	67300 66988 99137 99663 76109 79768	C D E B H J	DRAWING - Cockpit Finishing Installation DRAWING - Cockpit Finishing Installation DRAWING - Cockpit Finishing Installation DRAWING - Cockpit Finishing Installation DRAWING - Cockpit Finishing Installation DRAWING - Cockpit Finishing Installation		28-7205001 to 28-7205328 incl.
-1	67593-002 67593-003 67593-004 67593-009 67852-002 67852-003 67852-015 67852-006 67852-005	F F F F G G G G G	COVER ASSEMBLY - Flap handle, red COVER ASSEMBLY - Flap handle, brown COVER ASSEMBLY - Flap handle, blue COVER ASSEMBLY - Flap handle, black COVER ASSEMBLY - Flap handle, red COVER ASSEMBLY - Flap handle, brown COVER ASSEMBLY - Flap handle, blue/green COVER ASSEMBLY - Flap handle, green COVER ASSEMBLY - Flap handle, black	1 1 1 1 1 1 1 1 1	
			<p>A - Used on PA-28-180 with serial numbers 28-4378 and up PA-28R-180 and PA-28R-200 airplanes.</p> <p>B - Used on PA-28-180 airplanes only.</p> <p>C - Used on PA-28-180 with serial numbers 28-4378 to 285600 inclusive, PA-28R-180 with serial numbers 28R-30005 to 28R-30481 inclusive, 28R-30483 to 28R-31250 inclusive, and PA-28R-200 with serial numbers 28R-30482, 28R-35001 to 28R-35600 inclusive.</p> <p>D - Used on PA-28-180 with serial numbers 28-5601 to 285869 inclusive, PA-28R-180 with serial numbers 28R-31251 to 28R-31279 inclusive, and PA-28R-200 with serial numbers 28R-35601 to 28R-35830 inclusive.</p> <p>E - Used on PA-28-180 with serial numbers 28-7105001 to 28-7105244 inclusive, PA-28R-180 with serial numbers 28R-7130001 to 28R-7130019 inclusive, and PA-28R-200 with serial numbers 28R-7135001 to 28R-7135238 inclusive.</p> <p>F - Used on PA-28R-180 with serial numbers 28R-30005 to 28R-30481 inclusive, 28R-30483 to 28R-31279 inclusive, and PA-28R-200 with serial numbers 28R-30482, and 28R-35001 to 28R-35830 inclusive.</p> <p>G - Used on PA-28R-180 with serial numbers 28R-7130001 to 28R-7130019 inclusive, and PA-28R-200 with serial numbers 28R-7135001 to 28R-7135238 inclusive.</p> <p>H - Used on PA-28-180 with serial numbers 28-7305001 and up, and PA-28R-200 with serial numbers 28R-7235001 to 28R-7635503 inclusive.</p> <p>J - Used on PA-28R-200 with serial numbers 28R-7635504 and up.</p>		

When ordering, always specify Part Number, Description, and Serial Number of Aircraft

PIPER PARTS CATALOG

Figure and Index Number	Part Number	Code	NOMENCLATURE	No. Req.	SERIAL NUMBERS AFFECTED	
27 -1	67917-006	C,G,L	COVER ASSEMBLY - Flap handle	1		
	65670-002	H	COVER ASSEMBLY - Flap handle, red	1	28-4378 to 28-5869 inclusive	
	65670-003	H	COVER ASSEMBLY - Flap handle, brown	1	28-4378 to 28-5869 inclusive	
	65670-004	H	COVER ASSEMBLY - Flap handle, blue	1	28-4378 to 28-5869 inclusive	
	65670-009	H	COVER ASSEMBLY - Flap handle, black	1	28-4378 to 28-5869 inclusive	
	67785-017	J,K	COVER ASSEMBLY - Flap handle	1		
	-2	65699-000	E	* PLACARD - Stabilator Trim	1	
		67786-000	B	* PLACARD - Stabilator Trim	1	
	-3	67592-002	D	* PLACARD - Emergency Down	1	
	-4	67592-003	D	* PLACARD - Override Up	1	
		67921-000	C	* PLACARD - Gear Override	1	
	-5	67702-000	D	* PLACARD - Emergency Gear Lever	1	
	-6	67911-000	C,F	* SPRING - Override lever lock	1	28R-7235001 and up
	-7	487-922	C,F	* SWITCH - Gear override (1SE1)	1	28R-7235001 and up
-8	451-824	C,F	* ACTUATOR - Gear override (JE73)	1	28R-7235001 and up	
<p>A - Used on PA-28-180 with serial numbers 28-4378 and up, PA-28R-180 and PA-28R-200 airplanes.</p> <p>B - Used on PA-28R-180 airplanes only.</p> <p>C - Used on PA-28R-180 with serial numbers 28R-30005 to 28R-7130019 inclusive, and PA-28R-200 with serial numbers 28R-35001 to 28R-7135238 inclusive if Kit 760-542, Landing Gear Back-Up Actuator Override Mechanism, has been installed.</p> <p>D - Used on PA-28R-180 with serial numbers 28R-30005 to 28R-30481 inclusive, 28R-30483 to 28R-7130019 inclusive, and PA-28R-200 with serial numbers 28R-30482, 28R-35001 to 28R-7135238 inclusive.</p> <p>E - Used on PA-28-180 with serial numbers 28-4378 to 28-5869 inclusive, PA-28R-180 with serial numbers 28R-30005 to 28R-30481 inclusive, and 28R-30483 to 28R-31279 inclusive, and PA-28R-200 with serial numbers 28R-30482, 28R-35001 to 28R-35830 inclusive.</p> <p>F - Used on PA-28R-200 airplanes only.</p> <p>G - Used on PA-28R-200 with serial numbers 28R-7235001 and up.</p> <p>H - Used on PA-28-180 airplanes only.</p> <p>J - Used on PA-28-180 with serial numbers 28-7105001 and up.</p> <p>K - When ordering, specify color red, blue/green, gold, black or green.</p> <p>E - When ordering, specify color red, blue/green, gold, black, green or bark. Specify color "Bark I" for PA-28R-200 with serial numbers 28R-7635504 and up.</p>						

When ordering, always specify Part Number, Description, and Serial Number of Aircraft

PIPER PARTS CATALOG

Figure and Index Number	Part Number	Code	NOMENCLATURE	No. Req.	SERIAL NUMBERS AFFECTED
27 -9	460-901	D	* FLASHER - Gear override (617)	1	
-10	67910-000	B,F	* PIN - Override Lever Lock	1	28R-7235001 and up
-10a	67786-000	G	PLACARD - Stabilator Trim	1	
-10b	67921-000	F	PLACARD - Gear Override	1	28R-7235001 and up
-10c	67702-000	F	PLACARD - Emergency Gear Lever	1	28R-7235001 and up
-10d	67592-002	F	PLACARD - Emergency Down	1	28R-7235001 and up
-11	63144-000		COVER - Fuselage frame, inboard, Sta. 73.04	1	
-12	65674-007	C	COVER ASSEMBLY - Fuselage frame, Sta. 73.04, red	2	
	65674-005	C	COVER ASSEMBLY - Fuselage frame, Sta. 73.04, brown	2	
	65674-006	E	COVER ASSEMBLY - Fuselage frame, Sta. 73.04, blue	2	
	65674-009	C	COVER ASSEMBLY - Fuselage frame, Sta. 73.04, black	2	
	65674-011	H	COVER ASSEMBLY - Fuselage frame, Sta. 73.04, green	2	
	65674-013	H	COVER ASSEMBLY - Fuselage frame, Sta. 73.04, blue/green	2	
	65674-015	F,J	COVER ASSEMBLY - Fuselage frame, Sta. 73.04	2	28R-7635504 and up
<p>A - Used on PA-28-180 with serial numbers 28-4378 and up, PA-28R-180 and PA-28R-200 airplanes.</p> <p>B - Used on PA-28R-180 with serial numbers 28R-30005 to 28R-7130019 inclusive, and PA-28R-200 with serial numbers 28R-35001 to 28R-7135238 inclusive if Kit 760 542, Landing Gear Back-Up Actuator Override Mechanism, has been installed.</p> <p>C - Used on PA-28-180 with serial numbers 28-4378 to 28-7505261 inclusive, PA-28R-180 with serial numbers 28R-30005 to 28R-30481 inclusive, 28R-30483 to 28R-7130019 inclusive, and PA-28R-200 with serial numbers 28R-30482, 28R-35001 to 28R-7635503 inclusive.</p> <p>D - No longer available, Order Gear Extension Flasher Replacement Kit 763 816 for PA-28R-200 with serial numbers 28R-7235001 and up. Also order above kit when replacing flasher for PA-28R-180, and PA-28R-200 with serial numbers 28R-30482, 28R-35001 to 28R-7135238 inclusive if Landing Gear Back-Up Actuator Override Mechanism Kit 760 542 has been installed, If Gear Extension Flasher Replacement Kit 763 816 has previously been installed on above serial number aircraft, refer to Figure 70 for replacement flasher.</p> <p>E - Used on PA-28-180 with serial numbers 28-4378 to 28-5869 inclusive, PA-28R-180 with serial numbers 28R-30005 to 28R-30481 inclusive, 28R-30483 to 28R-31279 inclusive, and PA-28R-200 with serial numbers 28R-30482, 28R-35001 to 28R-35830 inclusive.</p> <p>F - Used on PA-28R-200 airplanes only.</p> <p>G - Used on PA-28-180 with serial numbers 28-7105001 and up, and PA-28R-200 with serial numbers 28R-7235001 and up.</p> <p>H - Used on PA-28-180 with serial numbers 28-7505001 to 28-7505261 inclusive, PA-28R-180 with serial numbers 28R-7130001 to 28R-7130019 inclusive, and PA-28R-200 with serial numbers 28R-7135001 to 28R-7635503 inclusive.</p> <p>J - When ordering specify color "Bark II" or black.</p>					

When ordering, always specify Part Number, Description, and Serial Number of Aircraft

PIPER PARTS CATALOG

Figure and Index Number	Part Number	Code	NOMENCLATURE	No. Req.	SERIAL NUMBERS AFFECTED	
27 -13	67232-008	K	COVER ASSEMBLY - Engine controls, red	1		
	67232-006	L	COVER ASSEMBLY - Engine controls, brown	1		
	67232-007	J	COVER ASSEMBLY - Engine controls, blue	1		
	67232-009	K	COVER ASSEMBLY - Engine controls, tan	1		
	67232-018	M	COVER ASSEMBLY - Engine controls, black	1		
	67232-017	M	COVER ASSEMBLY - Engine controls, white	1		
	67232-020	H	COVER ASSEMBLY - Engine controls, green	1		
	67232-024	E	COVER ASSEMBLY - Engine controls, blue/green	1		
	67232-012	C	COVER ASSEMBLY - Engine controls, red	1	28-4378 and up	
	67232-010	C	COVER ASSEMBLY - Engine controls, brown	1	28-4378 to 28-5600 inclusive	
	67232-011	C	COVER ASSEMBLY - Engine controls, blue	1	28-4378 to 28-5869 inclusive	
	67232-013	C	COVER ASSEMBLY - Engine controls, tan	1	28-4378 and up	
	67232-015	B	COVER ASSEMBLY - Engine controls, black	1		
	67232-022	B	COVER ASSEMBLY - Engine controls, white	1		
	67232-021	B	COVER ASSEMBLY - Engine controls, green	1		
	67232-025	C	COVER ASSEMBLY - Engine controls, blue/green	1	28-7105001 and up	
	67232-027	F	COVER ASSEMBLY - Engine controls, red	1		
	67232-028	F	COVER ASSEMBLY - Engine controls, tan	1		
	67232-029	F	COVER ASSEMBLY - Engine controls, white	1		
	67232-030	F	COVER ASSEMBLY - Engine controls, black	1		
	67232-031	F	COVER ASSEMBLY - Engine controls, green	1		
	67232-032	F	COVER ASSEMBLY - Engine controls, blue/green	1		
	67232-041	D,G	COVER ASSEMBLY - Engine controls	1	28R-7635504 and up	
	-13a	67239-000	K	* PLACARD - Engine Controls	1	
		65846-000	C	* PLACARD - Engine Controls	1	28-4378 and up
		69669-045	D	* PLACARD - Engine Controls	1	28R-7535001 and up
				<p>A - Used on PA-28-180 with serial numbers 28-4378 and up, PA-28R-180 and PA-28R-200 airplanes.</p> <p>B - Used on PA-28-180 with serial numbers 28-5601 and up.</p> <p>C - Used on PA-28-180 airplanes only.</p> <p>D - Used on PA-28R-200 airplanes only.</p> <p>E - Used on PA-28R-180 with serial numbers 28R-7130001 to 28R-7130019 inclusive, and PA-28R-200 with serial numbers 28R-7135001 to 28R-7435331 inclusive.</p> <p>F - Used on PA-28R-200 with serial numbers 28R-7535001 to 28R-7635503 inclusive.</p> <p>G - When ordering for PA-28R-200 with serial numbers 28R-7635504 and up, specify color "Bark I".</p> <p>H - Used on PA-28R-180 with serial numbers 28R-31251 to 28R-7130019 inclusive, and PA-28R-200 with serial numbers 28R-35601 to 28R-7435331 inclusive.</p> <p>J - Used on PA-28R-180 with serial numbers 28R-30005 to 28R-30481 inclusive, 28R-30483 to 28R-31279 inclusive, and PA-28R-200 with serial numbers 28R-30482, 28R-35001 to 28R-35830 inclusive.</p> <p>K - Used on PA-28R-180 with serial numbers 28R-30005 to 28R-30481, 28R-30483 to 28R-7130019 inclusive, and PA-28R-200 with serial numbers 28R-30482, 28R-35001 to 28R-7435331 inclusive.</p> <p>L - Used on PA-28R-180 with serial numbers 28R-30005 to 28R-30481 inclusive, 28R-30483 to 28R-31250 inclusive, and PA-28R-200 with serial numbers 28R-30482, 28R-35001 to 28R-35600 inclusive.</p> <p>M - Used on PA-28R-180 with serial numbers 28R-31251 to 28R-7130019 inclusive, and PA-28R-200 with serial numbers 28R-30482, 28R-35001 to 28R-7435331 inclusive.</p>		

When ordering, always specify Part Number, Description, and Serial Number of Aircraft

PIPER PARTS CATALOG

Figure and Index Number	Part Number	Code	NOMENCLATURE	No. Req.	SERIAL NUMBERS AFFECTED
27 -14	99737-002	F	COVER ASSEMBLY - Shoulder harness, forward, left	1	
	78054-002	G	COVER ASSEMBLY - Shoulder harness, forward, Left	1	
	99801-000	F	COVER ASSEMBLY - Shoulder harness, forward, right	1	
	99801-002	G	COVER ASSEMBLY - Shoulder harness, forward, right	1	
-15	99738-002	F	COVER - Shoulder harness, rear, left	1	
	99920-002	G	COVER - Shoulder harness, rear, left	1	
	99738-003	F	COVER - Shoulder harness, rear, right	1	
	99920-003	G	COVER - Shoulder harness, rear, right	1	
-16	67330-002	E	COVER - Console, brown	1	
	67330-003	C	COVER - Console, blue	1	
	67330-010	D	COVER - Console, red	1	
	67330-010	D	COVER - Console, tan	1	
	67330-010	B	COVER - Console, black	1	
	67330-007	H	COVER - Console, white	1	
			A - Used on PA-28-180 with serial numbers 28-4378 and up, PA-28R-180 and PA-28R-200 airplanes.		
			B - Used on PA-28-180 with serial numbers 28-5601 to 28-7505261 inclusive, PA-28R-180 with serial numbers 28R-31251 to 28R-7130019 inclusive, and PA-28R-200 with serial numbers 28R-35001 to 28R-7635503 inclusive.		
			C - Used on PA-28-180 with serial numbers 28-4378 to 28-5869 inclusive, PA-28R-180 with serial numbers 28R-30005 to 28R-30481 inclusive, 28R-30483 to 28R-31279 inclusive, and PA-28R-200 with serial numbers 28R-3482, 28R-35001 to 28R-35830 inclusive.		
			D - Used on PA-28-180 with serial numbers 28-4378 to 28-7505261 inclusive, PA-28R-180 with serial numbers 28R-30005 to 28R-30481 inclusive, 28R-30483 to 28R-7130019 inclusive, and PA-28R-200 with serial numbers 28R-30482, 28R-35001 to 28R-7635503 inclusive.		
			E - Used on PA-28-180 with serial numbers 28-4378 to 28-5600 inclusive, PA-28R-180 with serial numbers 28R-30005 to 28R-30481 inclusive, 28R-30483 to 28R-31250 inclusive, and PA-28R-200 with serial numbers 28R-30482, 28R-35001 to 28R-35600 inclusive.		
			F - Used on PA-28-180 with serial numbers 28-7205001 to 28-7205328 inclusive, and PA-28R-200 with serial numbers 28R-7235001 to 28R-7235330 inclusive.		
			G - Used on PA-28-180 with serial numbers 28-7305001 and up, and PA-28R-200 with serial numbers 28R-7335001 and up.		
			H - Used on PA-28-180 with serial numbers 28-5601 to 28-7405290 inclusive, PA-28R-180 with serial numbers 28R-31251 to 28R-7130019 inclusive, and PA-28R-200 with serial numbers 28R-35001 to 28R-7435331 inclusive.		

When ordering, always specify Part Number, Description, and Serial Number of Aircraft

PIPER PARTS CATALOG

Figure and Index Number	Part Number	Code	NOMENCLATURE	No. Req.	SERIAL NUMBERS AFFECTED
27 -16	67330-010	H	COVER - Console, green	1	28R-7635504 and up
	67330-010	J	COVER - Console, blue/green	1	
	67330-010	G,K	COVER - Console	1	
	67325-000		COVER - Cowl	1	
-17	67315-000	C	COVER ASSEMBLY - Access	1	
-18	67315-000	C	COVER ASSEMBLY - Access	1	
-19	65311-002	B	PANEL ASSEMBLY - Baggage compartment	1	
	79836-002	E,L	BULKHEAD ASSEMBLY - Rear cabin	1	
	36589-002	E, M	BULKHEAD ASSEMBLY - Rear cabin	1	
	79838-002	D,L	BULKHEAD ASSEMBLY - Rear cabin	1	
	36589-003	D,M	BULKHEAD ASSEMBLY - Rear cabin	1	
	487-629	E	* STUD ASSEMBLY - (KM894-1A)	1	
-20	487-629	E	* STUD ASSEMBLY - (KM894-1A)	1	
-21	66996-000	E	PLACARD - Baggage limitation	1	
	68399-002	D	PLACARD - Baggage limitation	1	
-22	65311-003	B	DOOR ASSEMBLY - Access cover	1	
	79445-000	F	DOOR ASSEMBLY - Access cover	1	
<p>A - Used on PA-28-180 with serial numbers 28-4378 and up, PA-28R-180 and PA-28R-200 airplanes.</p> <p>B - Used on PA-28-180 with serial numbers 28-4378 to 28-5600 inclusive, PA-28R-180 with serial numbers 28R-30005 to 28R-30481 inclusive, 28R-30483 to 28R-31250 inclusive, and PA-28R-200 with serial numbers 28R-30482, 28R-35001 to 28R-35600 inclusive.</p> <p>C - Used on PA-28-180 with serial numbers 28-4378 to 28-5869 inclusive, PA-28R-180 with serial numbers 28R-30005 to 28R-30481 inclusive, 28R-30483 to 28R-31279 inclusive, and PA-28R-200 with serial numbers 28R-30482, 28R-35001 to 28R-35830 inclusive.</p> <p>D - Used on PA-28R-180 with serial numbers 28R-31251 and up, and PA-28R-200 with serial numbers 28R-35601 and up.</p> <p>E - Used on PA-28-180 airplanes only.</p> <p>F - Used on PA-28-180 with serial numbers 28-5601 and up, PA-28R-180 with serial numbers 28R-31251 and up, and PA-28R-200 with serial numbers 28R-35601 and up.</p> <p>G - Used on PA-28R-200 airplanes only.</p> <p>H - Used on PA-28-180 with serial numbers 28-5601 to 28-7505261 inclusive, PA-28R-180 with serial numbers 28R-31251 to 28R-7130019 inclusive, and PA-28R-200 with serial numbers 28R-35601 to 28R-7635503 inclusive.</p> <p>J - Used on PA-28-180 with serial numbers 28-7105001 to 28-7505261 inclusive, PA-28R-180 with serial numbers 28R-7130001 to 28R-7130019 inclusive, and PA-28R-200 with serial numbers 28R-7135001 to 28R-7635503 inclusive.</p> <p>K - When ordering for PA-28R-200 with serial numbers 28R-7635504 and up, specify color "Bark I".</p> <p>L - Used if air conditioning is not installed.</p> <p>M - Used if air conditioning is installed.</p>					

When ordering, always specify Part Number, Description, and Serial Number of Aircraft

PIPER PARTS CATALOG

Figure and Index Number	Part Number	Code	NOMENCLATURE	No. Req.	SERIAL NUMBERS AFFECTED	
27 -23	67301-002	F	PANEL ASSEMBLY - Left front cockpit, red	1		
	66922-002	D	PANEL ASSEMBLY - Left front cockpit, red	1	28-5601 to 28-5869 inclusive	
	66922-008	B	PANEL ASSEMBLY - Left front cockpit, red	1		
	99131-002	D	PANEL ASSEMBLY - Left front cockpit, red	1	28-7105001 to 28-7105244 incl.	
	99662-002	D	PANEL ASSEMBLY - Left front cockpit, red	1	28-7205001 to 28-7205328 incl.	
	580-348	D	PANEL ASSEMBLY - Left front cockpit, red	1	28-7305001 to 28-7205611 incl.	
	579-722	D	PANEL ASSEMBLY - Left front cockpit, red	1	28-7405001 and up	
	99131-003	G	PANEL ASSEMBLY - Left front cockpit, red	1		
	76186-002	C	PANEL ASSEMBLY - Left front cockpit, red	1	28R-7235001 to 28R-7235330 incl.	
	580-354	C	PANEL ASSEMBLY - Left front cockpit, red	1	28R-7335001 to 28R-7335455 incl.	
	579-728	C	PANEL ASSEMBLY - Left front cockpit, red	1	28R-7435001 to 28R-7635503 incl.	
	67301-003	F	PANEL ASSEMBLY - Left front cockpit, brown	1		
	67301-004	F	PANEL ASSEMBLY - Left front cockpit, blue	1		
	66922-003	D	PANEL ASSEMBLY - Left front cockpit, blue	1	28-5601 to 28-5869 inclusive	
	66922-009	B	PANEL ASSEMBLY - Left front cockpit, blue	1		
	99131-004	D	PANEL ASSEMBLY - Left front cockpit, blue	1	28-7105001 to 28-7105244 incl.	
	99131-005	E	PANEL ASSEMBLY - Left front cockpit, blue	1		
	99662-003	D	PANEL ASSEMBLY - Left front cockpit, blue/green	1	28-7205001 to 28-7205328 incl.	
	580-349	D	PANEL ASSEMBLY - Left front cockpit, blue/green	1	28-7305001 to 28-7305611 incl.	
	579-723	D	PANEL ASSEMBLY - Left front cockpit, blue/green	1	28-7405001 and up	
	76186-003	C	PANEL ASSEMBLY - Left front cockpit, blue/green	1	28R-7235001 to 28R-7235330 incl.	
	580-355	C	PANEL ASSEMBLY - Left front cockpit, blue/green	1	28R-7335001 to 28R-7335455 incl.	
	579-729	C	PANEL ASSEMBLY - Left front cockpit, blue/green	1	28R-7435001 to 28R-7635503 incl.	
	67301-005	F	PANEL ASSEMBLY - Left front cockpit, beige	1		
	66922-004	D	PANEL ASSEMBLY - Left front cockpit, beige	1	28-5601 to 28-5869 inclusive	
	66922-010	B	PANEL ASSEMBLY - Left front cockpit, beige	1		
	99131-006	D	PANEL ASSEMBLY - Left front cockpit, beige	1	28-7105001 to 28-7105244 incl.	
	99131-007	E	PANEL ASSEMBLY - Left front cockpit, beige	1		
	99662-004	D	PANEL ASSEMBLY - Left front cockpit, gold	1	28-7205001 to 28-7205328	
	580-350	D	PANEL ASSEMBLY - Left front cockpit, gold	1	28-7305001 to 28-7305611 incl.	
	579-724	D	PANEL ASSEMBLY - Left front cockpit, gold	1	28-7405001 and up	
	76186-004	C	PANEL ASSEMBLY - Left front cockpit, gold	1	28R-7235001 to 28R-7235330 incl.	
	580-356	C	PANEL ASSEMBLY - Left front cockpit, gold	1	28R-7335001 to 28R-7335455 incl.	
	579-730	C	PANEL ASSEMBLY - Left front cockpit, gold	1	28R-7435001 to 28R-7635503 incl.	
				<p>A - Used on PA-28-180 with serial numbers 28-4378 and up, PA-28R-180 and PA-28R-200 airplanes.</p> <p>B - Used on PA-28R-180 with serial numbers 28R-31251 to 28R-31279 inclusive, and PA-28R-200 with serial numbers 28R-35601 to 28R-35830 inclusive.</p> <p>C - Used on PA-28R-200 airplanes only.</p> <p>D - Used on PA-28-180 airplanes only.</p> <p>E - Used on PA-28R-180 with serial numbers 28R-7130001 to 28R-7130019 inclusive, and PA-28R-200 with serial numbers 28R-7135001 to 28R-7135238 inclusive.</p> <p>F - Used on PA-28-180 with serial numbers 28-4378 to 28-5600 inclusive, PA-28R-180 with serial numbers 28R-30005 to 28R-30481 inclusive, 28R-30483 to 28R-31250 inclusive, and PA-28R-200 with serial numbers 28R-3500 to 28R-35500 inclusive.</p>		

When ordering, always specify Part Number, Description, and Serial Number of Aircraft

PIPER PARTS CATALOG

Figure and Index Number	Part Number	Code	NOMENCLATURE	No. Req.	SERIAL NUMBERS AFFECTED
27 -23	67301-010	B	PANEL ASSEMBLY - Left front cockpit, black	1	
	66922-006	E	PANEL ASSEMBLY - Left front cockpit, black	1	28-5601 to 28-5869 inclusive
	66922-012	C	PANEL ASSEMBLY - Left front cockpit, black	1	
	99131-010	E	PANEL ASSEMBLY - Left front cockpit, black	1	28-7105001 to 28-7105244 incl.
	99662-005	E	PANEL ASSEMBLY - Left front cockpit, black	1	28-7205001 to 28-7205328 incl.
	580-351	E	PANEL ASSEMBLY - Left front cockpit, black	1	28-7305001 to 28-7305611 incl.
	579-725	E	PANEL ASSEMBLY - Left front cockpit, black	1	28-7485001 and up
	99131-011	F	PANEL ASSEMBLY - Left front cockpit, black	1	
	76186-005	D	PANEL ASSEMBLY - Left front cockpit, black	1	28R-7235001 to 28R-7235330
	580-357	D	PANEL ASSEMBLY - Left front cockpit, black	1	28R-7335001 to 28R-7335455
	579-731	D	PANEL ASSEMBLY - Left front cockpit, black	1	28R-7435001 to 28R-7635503
	67301-011	B	PANEL ASSEMBLY - Left front cockpit, white	1	
	66922-007	E	PANEL ASSEMBLY - Left front cockpit, white	1	28-5601 to 28-5869 inclusive
	66922-013	C	PANEL ASSEMBLY - Left front cockpit, white	1	
	99131-012	E	PANEL ASSEMBLY - Left front cockpit, white	1	28-7105001 to 28-7105244 incl.
	99662-006	E	PANEL ASSEMBLY - Left front cockpit, white	1	28-7205001 to 28-7205328 incl.
	580-352	E	PANEL ASSEMBLY - Left front cockpit, white	1	28-7305001 to 28-7305611 incl.
	579-849	E	PANEL ASSEMBLY - Left front cockpit, white	1	28-7405001 to 28-7405290 incl.
	99131-013	F	PANEL ASSEMBLY - Left front cockpit, white	1	
	76186-006	D	PANEL ASSEMBLY - Left front cockpit, white	1	28R-7235001 to 28R-7235330 incl.
	580-358	D	PANEL ASSEMBLY - Left front cockpit, white	1	28R-7335001 to 28R-7335455 incl.
	579-843	D	PANEL ASSEMBLY - Left front cockpit, white	1	28R-7435001 to 28R-7435331 incl.
	66922-006	E	PANEL ASSEMBLY - Left front cockpit, green	1	28-5601 to 28-5869 inclusive
	66922-011	C	PANEL ASSEMBLY - Left front cockpit, green	1	
	99131-008	E	PANEL ASSEMBLY - Left front cockpit, green	1	28-7105001 to 28-7105244 incl.
	99662-007	E	PANEL ASSEMBLY - Left front cockpit, green	1	28-7205001 to 28-7205328 incl.
	580-353	E	PANEL ASSEMBLY - Left front cockpit, green	1	28-7305001 to 28-7305611 incl.
	579-727	E	PANEL ASSEMBLY - Left front cockpit, green	1	28-7405001 and up
	99131-009	F	PANEL ASSEMBLY - Left front cockpit, green	1	
	76186-007	D	PANEL ASSEMBLY - Left front cockpit, green	1	28R-7235001 to 28R-7235330 incl.
	580-359	D	PANEL ASSEMBLY - Left front cockpit, green	1	28R-7335001 to 28R-7335455 incl.
	579-733	D	PANEL ASSEMBLY - Left front cockpit, green	1	28R-7435001 to 28R-7635503 incl.
	580-753	D	PANEL ASSEMBLY - Left front cockpit (with heather brown carpet)	1	28R-7635504 and up
	580-754	D	PANEL ASSEMBLY - Left front cockpit (with Monaco brown carpet)	1	28R-7635504 and up

- A - Used on PA-28-180 with serial numbers 28-4378 and up, PA-28R-180 and PA-28R-200 airplanes.
- B - Used on PA-28R-200 with serial numbers 28R-30482, 28R-35001 to 28R-35600 inclusive.
- C - Used on PA-28R-180 with serial numbers 28R-31251 to 28R-31279 inclusive, and PA-28R-200 with serial numbers 28R-35601 to 28R-35830 inclusive.
- D - Used on PA-28R-200 airplanes only.
- E - Used on PA-28-180 airplanes only.
- F - Used on PA-28R-180 with serial numbers 28R-7130001 to 28R-7130019 inclusive, and PA-28R-200 with serial numbers 28R-7135001 to 28R-7135238 inclusive.

When ordering, always specify Part Number, Description, and Serial Number of Aircraft

PIPER PARTS CATALOG

Figure and Index Number	Part Number	Code	NOMENCLATURE	No. Req.	SERIAL NUMBERS AFFECTED	
27 -24	67304-002	C	PANEL ASSEMBLY - Right front cockpit, red	1		
	66924-002	D	PANEL ASSEMBLY - Right front cockpit, red	1	28-5601 to 28-5869 inclusive	
	66924-008	B	PANEL ASSEMBLY - Right front cockpit, red	1		
	99133-002	D	PANEL ASSEMBLY - Right front cockpit, red	1	28-7105001 to 28-7105244 incl.	
	99658-002	D	PANEL ASSEMBLY - Right front cockpit, red	1	28-7205001 to 28-7205328 incl.	
	99133-003	E	PANEL ASSEMBLY - Right front cockpit, red	1		
	76182-002	F	PANEL ASSEMBLY - Right front cockpit, red	1	28R-7235001 to 28R-7235330 incl.	
	580-372	G	PANEL ASSEMBLY - Right front cockpit, red	1		
	579-685	H	PANEL ASSEMBLY - Right front cockpit, red	1		
	67304-003	C	PANEL ASSEMBLY - Right front cockpit, brown	1		
	67304-004	C	PANEL ASSEMBLY - Right front cockpit, blue	1		
	6924-003	D	PANEL ASSEMBLY - Right front cockpit, blue	1	28-5601 to 28-5869 inclusive	
	66924-009	B	PANEL ASSEMBLY - Right front cockpit, blue	1		
	99133-004	D	PANEL ASSEMBLY - Right front cockpit, blue	1	28-7105001 to 28-7105244 incl.	
	99133-005	E	PANEL ASSEMBLY - Right front cockpit, blue	1		
	76182-003	F	PANEL ASSEMBLY - Right front cockpit, blue/green	1	28R-7235001 to 28R-7235330 incl.	
	99658-003	D	PANEL ASSEMBLY - Right front cockpit, blue/green	1	28-7205001 to 28-7205328 incl.	
	580-373	G	PANEL ASSEMBLY - Right front cockpit, blue/green	1		
	579-686	H	PANEL ASSEMBLY - Right front cockpit, blue/green	1		
	67304-005	C	PANEL ASSEMBLY - Right front cockpit, beige	1		
	66924-004	D	PANEL ASSEMBLY - Right front cockpit, beige	1	28-5601 to 28-5869 inclusive	
	66924-010	B	PANEL ASSEMBLY - Right front cockpit, beige	1		
	99133-006	D	PANEL ASSEMBLY - Right front cockpit, beige	1	28-7105001 to 28-7105244 incl.	
	99133-007	E	PANEL ASSEMBLY - Right front cockpit, beige	1		
	76182-004	F	PANEL ASSEMBLY - Right front cockpit, gold	1	28R-7235001 to 28R-7235330 incl.	
	99658-004	D	PANEL ASSEMBLY - Right front cockpit, gold	1	28-7205001 to 28-7205328 incl.	
	580-374	G	PANEL ASSEMBLY - Right front cockpit, gold	1		
	579-687	H	PANEL ASSEMBLY - Right front cockpit, gold	1		
				<p>A - Used on PA-28-180 with serial numbers 28-4378 and up, PA-28R-180 and PA-28R-200 airplanes.</p> <p>B - Used on PA-28R-180 with serial numbers 28R-31251 to 28R-31279 inclusive, and PA-28R-200 with serial numbers 28R-35601 to 28R-35830 inclusive.</p> <p>C - Used on PA-28-180 with serial numbers 28-4378 to 28-5600 inclusive, PA-28R-180 with serial numbers 28R-30005 to 28R-30481 inclusive, 28R-30483 to 28R-31250 inclusive, and PA-28R-200 with serial numbers 28R-35001 to 28R-35600 inclusive.</p> <p>D - Used on PA-28-180 airplanes only.</p> <p>E - Used on PA-28R-180 with serial numbers 28R-7130001 to 28R-7130019 inclusive, and PA-28R-200 with serial numbers 28R-7135001 to 28R-7135238 inclusive.</p> <p>F - Used on PA-28R-200 airplanes only.</p> <p>G - Used on PA-28-180 with serial numbers 28-7305001 to 28-7305611 inclusive, and PA-28R-200 with serial numbers 28R-7335001 to 28R-7335455 inclusive.</p> <p>H - Used on PA-28-180 with serial numbers 28-7405001 and up, and PA-28R-200 with serial numbers 28R-7435001 to 28R-7635503 inclusive.</p>		

When ordering, always specify Part Number, Description, and Serial Number of Aircraft

PIPER PARTS CATALOG

Figure and Index Number	Part Number	Code	NOMENCLATURE	No. Req.	SERIAL NUMBERS AFFECTED	
27 -24	67304-006	D	PANEL ASSEMBLY - Right front cockpit, black	1		
	66924-006	E	PANEL ASSEMBLY - Right front cockpit, black	1	28-5601 to 28-5869 inclusive	
	66924-012	C	PANEL ASSEMBLY - Right front cockpit, black	1		
	99133-010	E	PANEL ASSEMBLY - Right front cockpit, black	1	28-7105001 to 28-7105244 incl.	
	99133-011	F	PANEL ASSEMBLY - Right front cockpit, black	1		
	76182-005	G	PANEL ASSEMBLY - Right front cockpit, black	1	28R-7235001 to 28R-7235330 incl.	
	99658-005	E	PANEL ASSEMBLY - Right front cockpit, black	1	28-7205001 to 28-7205328 incl.	
	580-375	B	PANEL ASSEMBLY - Right front cockpit, black	1		
	579-688	H	PANEL ASSEMBLY - Right front cockpit, black	1		
	67304-007	D	PANEL ASSEMBLY - Right front cockpit, white	1		
	66924-007	E	PANEL ASSEMBLY - Right front cockpit, white	1	28-5601 to 28-5869 inclusive	
	66924-013	C	PANEL ASSEMBLY - Right front cockpit, white	1		
	99133-012	E	PANEL ASSEMBLY - Right front cockpit, white	1	28-7105001 to 28-7105244 incl.	
	99658-006	E	PANEL ASSEMBLY - Right front cockpit, white	1	28-7205001 to 28-7205328 incl.	
	99133-013	F	PANEL ASSEMBLY - Right front cockpit, white	1		
	76182-006	G	PANEL ASSEMBLY - Right front cockpit, white	1	28R-7235001 to 28R-7235330 incl.	
	580-376	H	PANEL ASSEMBLY - Right front cockpit, white	1		
	579-897	J	PANEL ASSEMBLY - Right front cockpit, white	1		
	66924-005	E	PANEL ASSEMBLY - Right front cockpit, green	1	28-5601 to 28-5869 inclusive	
	66924-011	E	PANEL ASSEMBLY - Right front cockpit, green	1		
	99133-008	E	PANEL ASSEMBLY - Right front cockpit, green	1	28-7105001 to 28-7105244 incl.	
	99658-007	E	PANEL ASSEMBLY - Right front cockpit, green	1	28-7205001 to 28-7205328 incl.	
	99133-009	F	PANEL ASSEMBLY - Right front cockpit, green	1		
	76182-007	G	PANEL ASSEMBLY - Right front cockpit, green	1	28R-7235001 to 28R-7235330 incl.	
	580-377	B	PANEL ASSEMBLY - Right front cockpit, green	1		
	579-690	H	PANEL ASSEMBLY - Right front cockpit, green	1		
	580-713	G	PANEL ASSEMBLY - Right front cockpit (with heather brown carpet)	1	28R-7635504 and up	
	580-735	G	PANEL ASSEMBLY - Right front cockpit (with Monaco brown carpet)	1	28R-7635504 and up	
	<p>A - Used on PA-28-180 with serial numbers 28-4378 end up, PA-28R-180 and PA-28R-200 airplanes.</p> <p>B - Used on PA-28-180 with serial numbers 28-7305001 to 28-7305611 inclusive, and PA-28R-200 with serial numbers 28R-7335001 to 28R-7335455 inclusive.</p> <p>C - Used on PA-28R-180 with serial numbers 28R-31251 to 28R-31279 inclusive, and PA-28R-200 with serial numbers 28R-35601 to 28R-35830 inclusive.</p> <p>D - Used on PA-28R-200 with serial numbers 28R-30482, 28R-35001 to 28R-35600 inclusive.</p> <p>E - Used on PA-28-180 airplanes only.</p> <p>F - Used on PA-28R-180 with serial numbers 28R-7130001 to 28R-7130019 inclusive, and PA-28R-200 with serial numbers 28R-7135001 to 28R-7135238 inclusive.</p> <p>G - Used on PA-28R-200 airplanes only.</p> <p>H - Used on PA-28-180 with serial numbers 28-7405001 and up, and PA-28R-200 with serial numbers 28R-7435001 to 28R-7635503 inclusive.</p> <p>J - Used on PA-28-180 with serial numbers 28-7405001 to 28-7405290 inclusive, and PA-28R-200 with serial numbers 28R-7435001 to 28R-7435331 inclusive.</p>					

When ordering, always specify Part Number, Description, and Serial Number of Aircraft

PIPER PARTS CATALOG

Figure and Index Number	Part Number	Code	NOMENCLATURE	No. Req.	SERIAL NUMBERS AFFECTED	
27 -25	67302-002	C	PANEL ASSEMBLY - Left rear cockpit, red	1		
	66925-002	D	PANEL ASSEMBLY - Left rear cockpit, red	1	28-5601 to 28-5869 inclusive	
	66925-008	B	PANEL ASSEMBLY - Left rear cockpit, red	1		
	99132-002	D	PANEL ASSEMBLY - Left rear cockpit, red	1	28-7105001 to 28-7105244 incl.	
	99657-002	D	PANEL ASSEMBLY - Left rear cockpit, red	1	28-7205001 to 28-7205328 incl.	
	580-360	D	PANEL ASSEMBLY - Left rear cockpit, red	1	28-7205001 to 28-7305611 incl.	
	579-913	D	PANEL ASSEMBLY - Left rear cockpit, red	1	28-7405001 and up	
	99132-003	E	PANEL ASSEMBLY - Left rear cockpit, red	1		
	99657-008	F	PANEL ASSEMBLY - Left rear cockpit, red	1	28R-7235001 to 28R-7235330 incl.	
	580-366	F	PANEL ASSEMBLY - Left rear cockpit, red	1	28R-7335001 to 28R-7335455 incl.	
	579-907	F	PANEL ASSEMBLY - Left rear cockpit, red	1	28R-7435001 to 28R-7635503 incl.	
	67302-003	C	PANEL ASSEMBLY - Left rear cockpit, brown	1		
	67302-004	C	PANEL ASSEMBLY - Left rear cockpit, blue	1		
	66925-003	D	PANEL ASSEMBLY - Left rear cockpit, blue	1	28-5601 to 28-5869 inclusive	
	66925-009	B	PANEL ASSEMBLY - Left rear cockpit, blue	1		
	99132-004	D	PANEL ASSEMBLY - Left rear cockpit, blue	1	28-7105001 to 28-7105244 incl.	
	99132-005	E	PANEL ASSEMBLY - Left rear cockpit, blue	1		
	99657-003	D	PANEL ASSEMBLY - Left rear cockpit, blue/green	1	28-7205001 to 28-7205328 incl.	
	580-361	D	PANEL ASSEMBLY - Left rear cockpit, blue/green	1	28-7305001 to 28-7305611 incl.	
	579-912	D	PANEL ASSEMBLY - Left rear cockpit, blue/green	1	28-7405001 and up	
	99657-009	F	PANEL ASSEMBLY - Left rear cockpit, blue/green	1	28R-7235001 to 28R-7235330 incl.	
	580-367	F	PANEL ASSEMBLY - Left rear cockpit, blue/green	1	28R-7335001 to 28R-7335455 incl.	
	579-906	F	PANEL ASSEMBLY - Left rear cockpit, blue/green	1	28R-7435001 to 28R-7635503 incl.	
	67302-005	C	PANEL ASSEMBLY - Left rear cockpit, beige	1		
	66925-004	D	PANEL ASSEMBLY - Left rear cockpit, beige	1	28-5601 to 28-5869 inclusive	
	66925-010	B	PANEL ASSEMBLY - Left rear cockpit, beige	1		
	99132-006	D	PANEL ASSEMBLY - Left rear cockpit, beige	1	28-7105001 to 28-7105244 incl.	
	99132-007	E	PANEL ASSEMBLY - Left rear cockpit, beige	1		
	99657-004	D	PANEL ASSEMBLY - Left rear cockpit, gold	1	28-7205001 to 28-7205328 incl.	
	580-362	D	PANEL ASSEMBLY - Left rear cockpit, gold	1	28-7305001 to 28-7305611 incl.	
	579-911	D	PANEL ASSEMBLY - Left rear cockpit, gold	1	28-7405001 and up	
	99657-0 10	F	PANEL ASSEMBLY - Left rear cockpit, gold	1	28R-7235001 to 28R-7235330 incl.	
	580-368	F	PANEL ASSEMBLY - Left rear cockpit, gold	1	28R-7335001 to 28R-7335455 incl.	
	579-905	F	PANEL ASSEMBLY - Left rear cockpit, gold	1	28R-7435001 to 28R-7635503 incl.	
				<p>A - Used on PA-28-180 with serial numbers 28-4378 and up, PA-28R-180 and PA-28R-200 airplanes.</p> <p>B - Used on PA-28R-180 with serial numbers 28R-31251 to 28R-31279 inclusive, and PA-28R-200 with serial numbers 28R-35601 to 28R-35830 inclusive.</p> <p>C - Used on PA-28-180 with serial numbers 28-4378 to 28-5600 inclusive, PA-28R-180 with serial numbers 28R-30005 to 28R-30481 inclusive, 28R-30483 to 28R-31250 inclusive, and PA-28R-200 with serial numbers 28R-30482, 28R-35001 to 28R-35600 inclusive.</p> <p>D - Used on PA-28-180 airplanes only.</p> <p>E - Used on PA-28R-180 with serial numbers 28R-7130001 to 28R-7130019 inclusive, and PA-28R-200 with serial numbers 28R-7135001 to 28R-7135238 inclusive.</p> <p>F - Used on PA-28R-200 airplanes only.</p>		

When ordering, always specify Part Number, Description, and Serial Number of Aircraft

PIPER PARTS CATALOG

Figure and Index Number	Part Number	Code	NOMENCLATURE	No. Req.	SERIAL NUMBERS AFFECTED	
27 -25	67302-006	D	PANEL ASSEMBLY - Left rear cockpit, black	1		
	66925-006	E	PANEL ASSEMBLY - Left rear cockpit, black	1	28-5601 to 28-5869 inclusive	
	66925-012	C	PANEL ASSEMBLY - Left rear cockpit, black	1		
	99132-010	E	PANEL ASSEMBLY - Left rear cockpit, black	1	28-7105001 to 28-7105244 incl.	
	99657-005	E	PANEL ASSEMBLY - Left rear cockpit, black	1	28-7205001 to 28-7205328 incl.	
	580-363	E	PANEL ASSEMBLY - Left rear cockpit, black	1	28-7305001 to 28-7305611 incl.	
	579-910	E	PANEL-ASSEMBLY - Left rear cockpit, black	1	28-7405001 and up	
	99132-011	F	PANEL ASSEMBLY - Left rear cockpit, black	1		
	99657-011	B	PANEL ASSEMBLY - Left rear cockpit, black	1	28R-7235001 to 28R-7235330 incl.	
	580-369	B	PANEL ASSEMBLY - Left rear cockpit, black	1	28R-7335001 to 28R-7335455 incl.	
	579-904	B	PANEL ASSEMBLY - Left rear cockpit, black	1	28R-7435001 to 28R-7635503 incl.	
	67302-007	D	PANEL ASSEMBLY - Left rear cockpit, white	1		
	66925-007	E	PANEL ASSEMBLY - Left rear cockpit, white	1	28-5601 to 28-5869 inclusive	
	66925-013	C	PANEL ASSEMBLY - Left rear cockpit, white	1		
	99132-012	E	PANEL ASSEMBLY - Left rear cockpit, white	1	28-7105001 to 28-7105244 incl.	
	99657-006	E	PANEL ASSEMBLY - Left rear cockpit, white	1	28-7205001 to 28-7205328 incl.	
	580-364	E	PANEL ASSEMBLY - Left rear cockpit, white	1	28-7305001 to 28-7305611 incl.	
	579-909	E	PANEL ASSEMBLY - Left rear cockpit, white	1	28-7405001 to 28-7405290 incl.	
	99132-013	F	PANEL ASSEMBLY - Left rear cockpit, white	1		
	99657-012	B	PANEL ASSEMBLY - Left rear cockpit, white	1	28R-7235001 to 28R-7235330 incl.	
	580-370	B	PANEL ASSEMBLY - Left rear cockpit, white	1	28R-7335001 to 28R-7335455 incl.	
	579-903	B	PANEL ASSEMBLY - Left rear cockpit white	1	28R-7435001 to 28R-7435331 incl.	
	66925-005	E	PANEL ASSEMBLY - Left rear cockpit, green	1	28-5601 to 28-5869 inclusive	
	66925-011	C	PANEL ASSEMBLY - Left rear cockpit, green	1		
	99132-008	E	PANEL ASSEMBLY - Left rear cockpit, green	1	28-7105001 to 28-7105244 incl.	
	99657-007	E	PANEL ASSEMBLY - Left rear cockpit, green	1	28-7205001 to 28-7205328 incl.	
	580-365	E	PANEL ASSEMBLY - Left rear cockpit, green	1	28-7205001 to 28-7205611 incl.	
	579-908	E	PANEL ASSEMBLY - Left rear cockpit, green	1	28-7405001 and up	
	99132-009	F	PANEL ASSEMBLY - Left rear cockpit green	1		
	99657-013	B	PANEL ASSEMBLY - Left rear cockpit, green	1	28R-7235001 to 28R-7235330 incl.	
	580-371	B	PANEL ASSEMBLY - Left rear cockpit, green	1	28R-7335001 to 28R-7335455 incl.	
	579-902	B	PANEL ASSEMBLY - Left rear cockpit, green	1	28R-7435001 to 28R-7635503 incl.	
	580-712	B	PANEL ASSEMBLY - Left rear cockpit	1	28R-7635504 and up	
	<p>A - Used on PA-28-180 with serial numbers 28-4378 and up, PA-28R-180 and PA-28R-200 airplanes.</p> <p>B - Used on PA-28R-200 airplanes only.</p> <p>C - Used on PA-28R-180 with serial numbers 28R-31251 to 28R-31279 inclusive, and PA-28R-200 with serial numbers 28R-35601 to 28R-35830 inclusive.</p> <p>D - Used on PA-28R-200 with serial numbers 28R-30482, 28R-35001 to 28R-35600 inclusive.</p> <p>E - Used on PA-28-180 airplanes only.</p> <p>F - Used on PA-28R-180 with serial numbers 28R-7130001 to 28R-7130019 inclusive, and PA-28R-200 with serial numbers 28R-7135001 to 28R-7135238 inclusive.</p>					

When ordering, always specify Part Number, Description, and Serial Number of Aircraft

PIPER PARTS CATALOG

Figure and Index Number	Part Number	Code	NOMENCLATURE	No. Req.	SERIAL NUMBERS AFFECTED	
27 -26	67303-002		PANEL ASSEMBLY - Right rear cockpit, red	1		
	66923-002	D	PANEL ASSEMBLY - Right rear cockpit, red	1	28-5601 to 28-5869 inclusive	
	66923-008	B	PANEL ASSEMBLY - Right rear cockpit, red	1		
	99134-002	D	PANEL ASSEMBLY - Right rear cockpit, red	1	28-7105001 to 28-7105244 incl.	
	99660-002	D	PANEL ASSEMBLY - Right rear cockpit, red	1	28-7205001 to 28-7205328 incl.	
	580-396	D	PANEL ASSEMBLY - Right rear cockpit, red	1	28-7305001 to 28-7305611 incl.	
	579-877	D	PANEL ASSEMBLY - Right rear cockpit, red	1	28-7405001 and up	
	99134-003	E	PANEL ASSEMBLY - Right rear cockpit, red	1		
	99660-008	F	PANEL ASSEMBLY - Right rear cockpit, red	1	28R-7235001 to 28R-7235330 incl.	
	580-402	F	PANEL ASSEMBLY - Right rear cockpit, red	1	28R-7335001 to 28R-7335455 incl.	
	579-871	F	PANEL ASSEMBLY - Right rear cockpit, red	1	28R-7435401 to 28R-7635503 incl.	
	67303-003	C	PANEL ASSEMBLY - Right rear cockpit, brown	1		
	67303-004	C	PANEL ASSEMBLY - Right rear cockpit, blue	1		
	66923-003	D	PANEL ASSEMBLY - Right rear cockpit, blue	1	28-5601 to 28-5869 inclusive	
	66923-009	B	PANEL ASSEMBLY - Right rear cockpit, blue	1		
	99134-004	D	PANEL ASSEMBLY - Right rear cockpit, blue	1	28-7105001 to 28-7105244 incl.	
	99134-005	E	PANEL ASSEMBLY - Right rear cockpit, blue	1		
	99660-009	F	PANEL ASSEMBLY - Right rear cockpit, blue/green	1	28R-7235001 to 28R-7235330 incl.	
	580-403	F	PANEL ASSEMBLY - Right rear cockpit, blue/green	1	28R-7335001 to 28R-7335455 incl.	
	579-870	F	PANEL ASSEMBLY - Right rear cockpit, blue/green	1	28R-7435001 to 28R-7635503 incl.	
	99660-003	D	PANEL ASSEMBLY - Right rear cockpit, blue/green	1	28-7205001 to 28-7205328 incl.	
	580-397	D	PANEL ASSEMBLY - Right rear cockpit, blue/green	1	28-7305001 to 28-7305611 incl.	
	579-876	D	PANEL ASSEMBLY - Right rear cockpit, blue/green	1	28-7405001 and up	
	67303-005	C	PANEL ASSEMBLY - Right rear cockpit, beige	1		
	66923-004	D	PANEL ASSEMBLY - Right rear cockpit, beige	1	28-5601 to 28-5869 inclusive	
	66923-010	B	PANEL ASSEMBLY - Right rear cockpit, beige	1		
	99134-006	D	PANEL ASSEMBLY - Right rear cockpit, beige	1	28-7105001 to 28-7105244 incl.	
	99134-007	E	PANEL ASSEMBLY - Right rear cockpit, beige	1		
	99660-010	F	PANEL ASSEMBLY - Right rear cockpit, gold	1	28R-7235001 to 28R-7235330 incl.	
	580-404	F	PANEL ASSEMBLY - Right rear cockpit, gold	1	28R-7335001 to 28R-7335455 incl.	
	579-869	F	PANEL ASSEMBLY - Right rear cockpit, gold	1	28R-7435001 to 28R-7635503 incl.	
	99660-004	D	PANEL ASSEMBLY - Right rear cockpit, gold	1	28-7205001 to 28-7205328 incl.	
	580-398	D	PANEL ASSEMBLY - Right rear cockpit, gold	1	28-7305001 to 28-7305611 incl.	
	579-875	D	PANEL ASSEMBLY - Right rear cockpit, gold	1	28-7405001 and up	
				A - Used on PA-28-180 with serial numbers 28-4378 and up, PA-28R-180 and PA-28R-200 airplanes.		
				B - Used on PA-28R-180 with serial numbers 28R-31251 to 28R-31279 inclusive, and PA-28R-200 with serial numbers 28R-35601 to 28R-35830 inclusive.		
				C - Used on PA-28-180 with serial numbers 28-4378 to 28-5600 inclusive, PA-28R-180 with serial numbers 28R-30005 to 28R-30481 inclusive, 28R-30483 to 28R-31250 inclusive, and PA-28R-200 with serial numbers 28R-30482, 28R-35001 to 28R-35600 inclusive.		
				D - Used on PA-28-180 airplanes only.		
				E - Used on PA-28R-180 with serial numbers 28R-7130001 to 28R-7130019 inclusive, and PA-28R-200 with serial numbers 28R-7135001 to 28R-7135238 inclusive.		
				F - Used on PA-28R-200 airplanes only.		

When ordering, always specify Part Number, Description, and Serial Number of Aircraft

PIPER PARTS CATALOG

Figure and Index Number	Part Number	Code	NOMENCLATURE	No. Req.	SERIAL NUMBERS AFFECTED	
27 -26	67303-006	B	PANEL ASSEMBLY - Right rear cockpit, black	1		
	66923-006	D	PANEL ASSEMBLY - Right rear cockpit, black	1	28-5601 to 28-5869 inclusive	
	66923-012	C	PANEL ASSEMBLY - Right rear cockpit, black	1		
	99134-010	D	PANEL ASSEMBLY - Right rear cockpit, black	1	28-7105001 to 28-7105244 incl.	
	99660-005	D	PANEL ASSEMBLY - Right rear cockpit, black	1	28-7205001 to 28-7205328 incl.	
	580-399	D	PANEL ASSEMBLY - Right rear cockpit, black	1	28-7305001 to 28-7305611 incl.	
	579-874	D	PANEL ASSEMBLY - Right-rear cockpit, black	1	28-7405001 and up	
	99134-011	E	PANEL ASSEMBLY - Right rear cockpit, black	1		
	99660-011	F	PANEL ASSEMBLY - Right rear cockpit, black	1	28R-7235001 to 28R-7235330 incl.	
	580-405	F	PANEL ASSEMBLY - Right rear cockpit, black	1	28R-7335001 to 28R-7335455 incl.	
	579-868	F	PANEL ASSEMBLY - Right rear cockpit, black	1	28R-7435001 to 28R-7635503 incl.	
	67303-007	B	PANEL ASSEMBLY - Right rear cockpit, white	1		
	66923-007	D	PANEL ASSEMBLY - Right rear cockpit, white	1	28-5601 to 28-5869 inclusive	
	66923-013	C	PANEL ASSEMBLY - Right rear cockpit, white	1		
	99134-012	D	PANEL ASSEMBLY - Right rear cockpit, white	1	28-7105001 to 28-7105244 incl.	
	99660-006	D	PANEL ASSEMBLY - Right rear cockpit, white	1	28-7205001 to 28-7205328 incl.	
	580-400	D	PANEL ASSEMBLY - Right rear cockpit, white	1	28-7305001 to 28-7305611 incl.	
	579-873	D	PANEL ASSEMBLY - Right rear cockpit, white	1	28-7405001 to 28-7405290 incl.	
	99134-013	E	PANEL ASSEMBLY - Right rear cockpit, white	1		
	99660-012	F	PANEL ASSEMBLY - Right rear cockpit, white	1	28R-7235001 to 28R-7235330 incl.	
	580-406	F	PANEL ASSEMBLY - Right rear cockpit, white	1	28R-7335001 to 28R-7335455 incl.	
	579-867	F	PANEL ASSEMBLY - Right rear cockpit, white	1	28R-7435001 to 28R-7435331 incl.	
	66923-005	D	PANEL ASSEMBLY - Right rear cockpit, green	1	28-5601 to 28-5869 inclusive	
	66923-011	C	PANEL ASSEMBLY - Right rear cockpit, green	1		
	99134-008	D	PANEL ASSEMBLY - Right rear cockpit, green	1	28-7105001 to 28-7105244 incl.	
	99660-007	D	PANEL ASSEMBLY - Right rear cockpit green	1	28-7205001 to 28-7205328 incl.	
	580-401	D	PANEL ASSEMBLY - Right rear cockpit, green	1	28-7305001 to 28-7305611 incl.	
	5790872	D	PANEL ASSEMBLY - Right rear cockpit, green	1	28-7405001 and up	
	99134-009	E	PANEL ASSEMBLY - Right rear cockpit, green	1		
	99660-013	F	PANEL ASSEMBLY - Right rear cockpit, green	1	28R-7235001 to 28R-7235330 incl.	
	580-407	F	PANEL ASSEMBLY - Right rear cockpit, green	1	28R-7335001 to 28R-7335455 incl.	
	579-866	F	PANEL ASSEMBLY - Right rear cockpit, green	1	28R-7435001 to 28R-7635503 incl.	
	580-716	F	PANEL ASSEMBLY - Right rear cockpit, white/camel/black	1	28R-7635504 and up	
				<p>A - Used on PA-28-180 with serial numbers 28-4378 and up, PA-28R-180 and PA-28R-200 airplanes.</p> <p>B - Used on PA-28R-200 with serial numbers 28R-30482, 28R-35001 to 28R-35600 inclusive.</p> <p>C - Used on PA-28R-180 with serial numbers 28R-31251 to 28R-31279 inclusive, and PA-28R-200 with serial numbers 28R-35601 to 28R-35830 inclusive.</p> <p>D - Used on PA-28-180 airplanes only.</p> <p>E - Used on PA-28R-180 with serial numbers 28R-7130001 to 28R-7130019 inclusive, and PA-28R-200 with serial numbers 28R-7135001 to 28R-7135238 inclusive.</p> <p>F - Used on PA-28R-200 airplanes only.</p>		

When ordering, always specify Part Number, Description, and Serial Number of Aircraft

PIPER PARTS CATALOG

Figure and Index Number	Part Number	Code	NOMENCLATURE	No. Req.	SERIAL NUMBERS AFFECTED
27 -27	68484-000	F	PAN - Armrest	1	
	-28	68492-002	F	PAD ASSEMBLY - Armrest, red	1
	68492-006	F	PAD ASSEMBLY - Armrest, brown	1	
	68492-010	F	PAD ASSEMBLY - Armrest, blue	1	
	68492-014	F	PAD ASSEMBLY - Armrest, beige	1	
	68492-018	G	PAD ASSEMBLY - Armrest, black	1	
	68492-020	G	PAD ASSEMBLY - Armrest, white	1	
-29	65304-000	H	PANEL - Ash box	3	
-30	453-141	H	BOX - Ash	3	
-31	484-385	H	RETAINER - Ash box (947483)	3	
-32	65286-005	H	KNOB - Ash box, red (571-070)	3	
	65286-007	H	KNOB - Ash box, brown (571-072)	3	
	65286-006	H	KNOB - Ash box, blue (571-071)	3	
	65286-008	H	KNOB - Ash box, tan (571-097)	3	
-33	63116-097	C	CARPET - Floor, front left, red	1	
	67907-002	B	CARPET - Floor, front left, red	1	
	76161-002	D	CARPET - Floor, front left, red	1	
	591-147	E	CARPET - Floor, front left, red	1	
	63116-098	C	CARPET - Floor, front right, red	1	
	67907-003	B	CARPET - Floor, front right, red	1	
	76161-003	D	CARPET - Floor, front right, red	1	
	591-152	E	CARPET - Floor, front right, red	1	
			A - Used on PA-28-180 with serial numbers 28-4378 and up, PA-28R-180 and PA-28R-200 airplanes.		
			B - Used on PA-28-180 with serial numbers 28-7105001 to 28-7205328 inclusive, PA-28R-180 with serial numbers 28R-7130001 to 28R-7130019 inclusive, and PA-28R-200 with serial numbers 28R-7135001 to 28R-7135238 inclusive.		
			C - Used on PA-28-180 with serial numbers 284378 to 28-5869 inclusive, PA-28R-180 with serial numbers 28R-30005 to 28R-30481 inclusive, 28R-30483 to 28R-31279 inclusive, and PA-28R-200 with serial numbers 28R-30482, 28R-35001 to 28R-35830 inclusive.		
			D - Used on PA-28-180 with serial numbers 28-7305001 to 28-7405290 inclusive, and PA-28R-200 with serial numbers 28R-7235001 to 28R-7435331 inclusive.		
			E - Used on PA-28-180 with serial numbers 28-7505001 to 28-7505261 inclusive, and PA-28R-200 with serial numbers 28R-7535001 to 28R-7635503 inclusive.		
			F - Used on PA-28-180 with serial numbers 28-4378 to 28-5600 inclusive, PA-28R-180 with serial numbers 28R-30005 to 28R-30481 inclusive, 28R-30483 to 28R-31250 inclusive, and PA-28R-200 with serial numbers 28R-30482, 28R-35001 to 28R-35600 inclusive.		
			G - Used on PA-28R-180 with serial numbers 28R-30482, 28R-35001 to 28R-35600 inclusive.		
			H - Used on PA-28-180 with serial numbers 28-4378 to 28-5600 inclusive, and PA-28R-180 with serial numbers 28R-30005 to 28R-30481 inclusive, 28R-30483 to 28R-31250 inclusive.		

When ordering, always specify Part Number, Description, and Serial Number of Aircraft

PIPER PARTS CATALOG

Figure and Index Number	Part Number	Code	NOMENCLATURE	No. Req.	SERIAL NUMBERS AFFECTED
27 -33	63116-037	C	CARPET - Floor, front left, brown	1	
	63116-038	C	CARPET - Floor, front right, brown	1	
	63116-052	C	CARPET - Floor, front left, blue	1	
	67907-006	B	CARPET - Floor, front left, blue	1	
	76161-006	D	CARPET - Floor, front left, blue	1	
	591-149	E	CARPET - Floor, front left, blue	1	
	63116-053	C	CARPET - Floor, front right, blue	1	
	67907-007	B	CARPET - Floor, front right, blue	1	
	76161-007	D	CARPET - Floor, front right, blue	1	
	591-154	E	CARPET - Floor, front right, blue	1	
	63116-136	C	CARPET - Floor, front left, black	1	
	67907-004	B	CARPET - Floor, front left, black	1	
	76161-004	D	CARPET - Floor, front left, black	1	
	591-148	E	CARPET - Floor, front left, black	1	
	63116-137	C	CARPET - Floor, front right, black	1	
	67907-005	B	CARPET - Floor, front right, black	1	
	76161-005	D	CARPET - Floor, front right, black	1	
	591-153	E	CARPET - Floor, front right, black	1	
	67907-008	B	CARPET - Floor, front left, fawn	1	
	76161-008	D	CARPET - Floor, front left, fawn	1	
	67907-009	B	CARPET - Floor, front right, fawn	1	
	76161-009	D	CARPET - Floor, front right, fawn	1	
	67907-010	B	CARPET - Floor, front left, green	1	
	76161-010	D	CARPET - Floor, front left, green	1	
	591-151	E	CARPET - Floor, front left, green	1	
	67907-011	B	CARPET - Floor, front right, green	1	
	76161-011	D	CARPET - Floor, front right, green	1	
	591-156	E	CARPET - Floor, front right, green	1	
	591-545	F	CARPET - Floor, front left, heather brown	1	28R-7635504 and up
	591-546	F	CARPET - Floor, front left, Monaco brown	1	28R-7635504 and up
	591-547	F	CARPET - Floor, front right, heather brown	1	28R-7635504 and up
	591-548	F	CARPET - Floor, front right, Monaco brown	1	28R-7635504 and up
				<p>A - Used on PA-28-180 with serial numbers 284378 and up, PA-28R-180 and PA-28R-200 airplanes.</p> <p>B - Used on PA-28-180 with serial numbers 28-7105001 to 28-7205328 inclusive, PA-28R-180 with serial numbers 28R-7130001 to 28R-7130019 inclusive, and PA-28R-200 with serial numbers 28R-7135001 to 28R-7135238 inclusive.</p> <p>C - Used on PA-28-180 with serial numbers 28-4378 to 28-5869 inclusive, PA-28R-180 with serial numbers 28R-30005 to 28R-30481 inclusive, 28R-30483 to 28R-31279 inclusive, and PA-28R-200 with serial numbers 28R-30482, 28R-35001 to 28R-35830 inclusive.</p> <p>D - Used on PA-28-180 with serial numbers 28-7305001 to 28-7405290 inclusive, and PA-28R-200 with serial number 28R-7235001 to 28R-7435331 inclusive.</p> <p>E - Used on PA-28-180 with serial numbers 28-7505001 to 28-7505261 inclusive, and PA-28R-200 with serial numbers 28R-7535001 to 28R-7635503 inclusive.</p> <p>F - Used on PA-28R-200 airplanes only.</p>	

When ordering, always specify Part Number, Description, and Serial Number of Aircraft

PIPER PARTS CATALOG

Figure and Index Number	Part Number	Code	NOMENCLATURE	No. Req.	SERIAL NUMBERS AFFECTED	
27 -33	79236-010	D,E,F	CARPET - Floor, front left	1		
	591-216	E,G	CARPET - Floor, front left, red	1		
	591-218	E,G	CARPET - Floor, front left, blue	1		
	591-217	E,G	CARPET - Floor, front left, black	1		
	591-220	E,G	CARPET - Floor, front left, green	1		
	79236-011	D,E,F	CARPET - Floor, front right	1		
	591-226	E,G	CARPET - Floor, front right, red	1		
	591-228	E,G	CARPET - Floor, front right, blue	1		
	591-227	E,G	CARPET - Floor, front right, black	1		
	591-225	E,G	CARPET - Floor, front right, green	1		
	-34	63116-093	B	CARPET - Floor, Sta. 74 to Sta. 105, outboard, red	2	
		63116-006	B	CARPET - Floor, Sta. 74 to Sta. 105, outboard, brown	2	
		63116-048	B	CARPET - Floor, Sta. 74 to Sta. 105, outboard, blue	2	
		63116-132	B	CARPET - Floor, Sta. 74 to Sta. 105, outboard, black	2	
		67905-002	C	CARPET - Floor, Sta. 74 to Sta. 105, outboard, red	2	
		67905-004	C	CARPET - Floor, Sta. 74 to Sta. 105, outboard, blue	2	
		67905-005	C	CARPET - Floor, Sta. 74 to Sta. 105, outboard, fawn	2	
67905-006		C	CARPET - Floor, Sta. 74 to Sta. 105, outboard, green	2		
67905-003		C	CARPET - Floor, Sta. 74 to Sta. 105, outboard, black	2		
591-026		G	CARPET - Floor, Sta. 74 to Sta. 105, outboard, red	2		
591-028		G	CARPET - Floor, Sta. 74 to Sta. 105, outboard, blue	2		
591-027		G	CARPET - Floor, Sta. 74 to Sta. 105, outboard, black	2		
591-030		G	CARPET - Floor, Sta. 74 to Sta. 105, outboard, green	2		
79236-016		D,E,F	CARPET - Floor, Sta. 74 to Sta. 105, outboard	2		
591-275		E,G	CARPET - Floor, Sta. 74 to Sta. 105, outboard, red	2		
591-277		E,G	CARPET - Floor, Sta. 74 to Sta. 105, outboard, blue	2		
591-276		E,G	CARPET - Floor, Sta. 74 to Sta. 105, outboard, black	2		
591-279		E,G	CARPET - Floor, Sta. 74 to Sta. 105, outboard, green	2		
591-501		H	CARPET - Floor, Sta. 74 to Sta. 105, outboard, heather brown	2	28R-7635504 and up	
591-502		H	CARPET - Floor, Sta. 74 to Sta. 105, outboard, Monaco brown	2	28R-7635504 and up	
			<p>A - Used on PA-28-180 with serial numbers 28-4378 and up, PA-28R-180 and PA-28R-200 airplanes.</p> <p>B - Used on PA-28-180 with serial numbers 28-4378 to 28-5869 inclusive, PA-28R-180 with serial numbers 28R-30005 to 28R-30481 inclusive, 28R-30483 to 28R-31279 inclusive, and PA-28R-200 with serial numbers 28R-30482, 28R-35001 to 28R-35830 inclusive.</p> <p>C - Used on PA-28-180 with serial numbers 28-7105001 to 28-7405290 inclusive, PA-28R-180 with serial numbers 28R-7130001 to 28R-7130019 inclusive, and PA-28R-200 with serial numbers 28R-7135001 to 28R-7435331 inclusive.</p> <p>D - Used on PA-28-180 with serial numbers 28-7405001 to 28-7405290 inclusive, and PA-28R-200 with serial numbers 28R-7435001 to 28R-7435331 inclusive.</p> <p>E - Used if sound reduction carpeting is installed.</p> <p>F - When ordering, specify color red, blue, fawn, black or green.</p> <p>G - Used on PA-28-180 with serial numbers 28-7505001 to 28-7505261 inclusive, and PA-28R-200 with serial numbers 28R-7535001 to 28R-7635503 inclusive.</p> <p>H - Used on PA-28R-200 airplanes only.</p>			

When ordering, always specify Part Number, Description, and Serial Number of Aircraft

PIPER PARTS CATALOG

Figure and Index Number	Part Number	Code	NOMENCLATURE	No. Req.	SERIAL NUMBERS AFFECTED
27 -35	63116-094	B	CARPET - Floor, Sta. 74 to Sta. 105, center, red	2	
	63116-004	B	CARPET - Floor, Sta. 74 to Sta. 105, center, brown	2	
	63116-049	B	CARPET - Floor, Sta. 74 to Sta. 105, center, blue	2	
	63116-133	B	CARPET - Floor, Sta. 74 to Sta. 105, center, black	2	
	67906-002	C	CARPET - Floor, Sta. 74 to Sta. 105, center, red	2	
	67906-004	C	CARPET - Floor, Sta. 74 to Sta. 105, center, blue	2	
	67906-005	C	CARPET - Floor, Sta. 74 to Sta. 105, center, fawn	2	
	67906-006	C	CARPET - Floor, Sta. 74 to Sta. 105, center, green	2	
	67906-003	C	CARPET - Floor, Sta. 74 to Sta. 105, center, black	2	
	591-031	G	CARPET - Floor, Sta. 74 to Sta. 105, center, red	2	
	591-033	G	CARPET - Floor, Sta. 74 to Sta. 105, center, blue	2	
	591-032	G	CARPET - Floor, Sta. 74 to Sta. 105, center, black	2	
	591-035	G	CARPET - Floor, Sta. 74 to Sta. 105, center, green	2	
	79236-005	D,E,F	CARPET - Floor, Sta. 74 to Sta. 105, center	2	
	591-182	E,G	CARPET - Floor, Sta. 74 to Sta. 105, center, red	2	
	591-184	E,G	CARPET - Floor, Sta. 74 to Sta. 105, center, blue	2	
	591-183	E,G	CARPET - Floor, Sta. 74 to Sta. 105, center, black	2	
	591-186	E,G	CARPET - Floor, Sta. 74 to Sta. 105, center, green	2	
	591-503	H	CARPET - Floor, Sta. 74 to Sta. 105, center, heather brown	2	28R-7635504 and up
	591-504	H	CARPET - Floor, Sta. 74 to Sta. 105, center, Monaco brown	2	28R-7635504 and up
			<p>A - Used on PA-28-180 with serial numbers 28-4378 and up, PA-28R-180 and PA-28R-200 airplanes.</p> <p>B - Used on PA-28-180 with serial numbers 28-4378 to 28-5869 inclusive, PA-28R-180 with serial numbers 28R-30005 to 28R-30481 inclusive, 28R-30483 to 28R-31279 inclusive, and PA-28R-200 with serial numbers 28R-30482, 28R-35001 to 28R-35830 inclusive.</p> <p>C - Used on PA-28-180 with serial numbers 28-7105001 to 28-7405290 inclusive, PA-28R-180 with serial number 28R-7130001 to 28R-7130019 inclusive, and PA-28R-200 with serial numbers 28R-7135001 to 28R-7435331 inclusive.</p> <p>D - Used on PA-28-180 with serial numbers 28-7405001 to 28-7405290 inclusive, and PA-28R-200 with serial numbers 28R-7435001 to 28R-7435331 inclusive.</p> <p>E - Used if sound reduction carpeting is installed.</p> <p>F - When ordering, specify color red, blue, fawn, black or green.</p> <p>G - Used on PA-28-180 with serial numbers 28-7505001 to 28-7505261 inclusive, and PA-28R-200 with serial numbers 28R-7535001 to 28R-7635503 inclusive.</p> <p>H - Use on PA-28R-200 airplanes only.</p>		

When ordering, always specify Part Number, Description, and Serial Number of Aircraft

PIPER PARTS CATALOG

Figure and Index Number	Part Number	Code	NOMENCLATURE	No. Req.	SERIAL NUMBERS AFFECTED	
27 -36	63116-095	B	CARPET - Floor, Sta. 74 to Sta. 105, inboard, red	2		
	63116-019	B	CARPET - Floor, Sta. 74 to Sta. 105, inboard, brown	2		
	63116-050	B	CARPET - Floor, Sta. 74 to Sta. 105, inboard, blue	2		
	63116-134	B	CARPET - Floor, Sta. 74 to Sta. 105, inboard, black	2		
	76199-002	C	CARPET - Floor, Sta. 74 to Sta. 105, inboard, left, red	1		
	76199-006	C	CARPET - Floor, Sta. 74 to Sta. 105, inboard, left, blue	1		
	76199-008	C	CARPET - Floor, Sta. 74 to Sta. 105, inboard, left, fawn	1		
	76199-010	C	CARPET - Floor, Sta. 74 to Sta. 105, inboard, left, green	1		
	76199-004	C	CARPET - Floor, Sta. 74 to Sta. 105, inboard, left, black	1		
	591-157	D	CARPET - Floor, Sta. 74 to Sta. 105, inboard, left, red	1		
	591-159	D	CARPET - Floor, Sta. 74 to Sta. 105, inboard, left, blue	1		
	591-158	D	CARPET - Floor, Sta. 74 to Sta. 105, inboard, left, black	1		
	591-161	D	CARPET - Floor, Sta. 74 to Sta. 105, inboard, left, green	1		
	76199-003	C	CARPET - Floor, Sta. 74 to Sta. 105, inboard, right, red	1		
	76199-007	C	CARPET - Floor, Sta. 74 to Sta. 105, inboard, right, blue	1		
	76199-009	C	CARPET - Floor, Sta. 74 to Sta. 105, inboard, right, fawn	1		
	76199-011	C	CARPET - Floor, Sta. 74 to Sta. 105, inboard, right, green	1		
	76199-005	C	CARPET - Floor, Sta. 74 to Sta. 105, inboard, right, black	1		
	591-162	D	CARPET - Floor, Sta. 74 to Sta. 105, inboard, right, red	1		
	591-164	D	CARPET - Floor, Sta. 74 to Sta. 105, inboard, right, blue	1		
	591-163	D	CARPET - Floor, Sta. 74 to Sta. 105, inboard, right, black	1		
	591-166	D	CARPET - Floor, Sta. 74 to Sta. 105, inboard, right, green	1		
	591-549	E	CARPET - Floor, Sta. 74 to Sta. 105, inboard, left, heather brown	1	28R-7635504 and up	
	591-550	E	CARPET - Floor, Sta. 74 to Sta. 105, inboard, left, Monaco brown	1	28R-7635504 and up	
	591-551	E	CARPET - Floor, Sta. 74 to Sta. 105, inboard, right, heather brown	1	28R-7635504 and up	
	591-552	E	CARPET - Floor, Sta. 74 to Sta. 105, inboard, right, Monaco brown	1	28R-7635504 and up	
	<p>A - Used on PA-28-180 with serial numbers 28-4378 and up, PA-28R-180 and PA-28R-200 airplanes.</p> <p>B - Used on PA-28-180 with serial numbers 28-4378 to 28-5869 inclusive, PA-28R-180 with serial numbers 28R-30005 to 28R-30481 inclusive, 28R-30483 to 28R-31279 inclusive, and PA-28R-200 with serial numbers 28R-30482, 28R-35001 to 28R-35830 inclusive.</p> <p>C - Used on PA-28-180 with serial numbers 28-7105001 to 28-7405290 inclusive, PA-28R-180 with serial numbers 28R-7130001 to 28R-7130019 inclusive, and PA-28R-200 with serial numbers 28R-7135001 to 28R-7435331 inclusive.</p> <p>D - Used on PA-28-180 with serial numbers 28-7505001 to 28-7505261 inclusive, and PA-28R-200 with serial numbers 28R-7535001 to 28R-7635503 inclusive.</p> <p>E - Used on "A" PA-28R-200 airplanes only.</p>					

When ordering, always specify Part Number, Description, and Serial Number of Aircraft

PIPER PARTS CATALOG

Figure and Index Number	Part Number	Code	NOMENCLATURE	No. Req.	SERIAL NUMBERS AFFECTED
27 -37	63116-109	B	CARPET - Tunnel, top, red	1	28R-30005 to 28R-30103 incl.
	63116-140	C	CARPET - Tunnel, top, red	1	
	99114-002	F	CARPET - Tunnel, top, red	1	
	76160-002	G	CARPET - Tunnel, top, red	1	
	591-142	D	CARPET - Tunnel, top, red	1	28R-30005 to 28R-30103 incl.
	63116-107	B	CARPET - Tunnel, top, brown	1	
	63116-142	C	CARPET - Tunnel, top, brown	1	
	63116-108	B	CARPET - Tunnel, top, blue	1	
	63116-144	C	CARPET - Tunnel, top, blue	1	28R-30005 to 28R-30103 incl.
	99114-004	F	CARPET - Tunnel, top, blue	1	
	76160-004	G	CARPET - Tunnel, top, blue	1	
	591-144	D	CARPET - Tunnel, top, blue	1	
	63116-130	E	CARPET - Tunnel, top, black	1	28R-7635504 and up
	99114-003	F	CARPET - Tunnel, top, black	1	
	76160-003	G	CARPET - Tunnel, top, black	1	
	591-143	D	CARPET - Tunnel, top, black	1	
	99114-005	F	CARPET - Tunnel, top, fawn	1	28R-7635504 and up
	76160-005	G	CARPET - Tunnel, top, fawn	1	
	99114-006	F	CARPET - Tunnel, top, green	1	
	76160-006	G	CARPET - Tunnel, top, green	1	
	591-146	D	CARPET - Tunnel, top, green	1	28R-7635504 and up
	591-543	H	CARPET - Tunnel, top, heather brown	1	
	591-544	H	CARPET - Tunnel, top, Monaco brown	1	

- A - Used on PA-28-180 with serial numbers 28-4378 and up, PA-28R-180 and PA-28R-200 airplanes.
- B - Used on PA-28R-180 airplanes only.
- C - Used on PA-28-180 with serial numbers 28-4378 to 28-5869 inclusive, PA-28R-180 with serial numbers 28R-30104 to 28R-30481 inclusive, 28R-30483 to 28R-31279 inclusive, and PA-28R-200 with serial numbers 28R-30482, 28R-35001 to 28R-35830 inclusive.
- D - Used on PA-28-180 with serial numbers 28-7505001 to 28-7505261 inclusive, and PA-28R-200 with serial numbers 28R-7535001 to 28R-7635503 inclusive.
- E - Used on PA-28-180 with serial numbers 28-4378 to 28-5869 inclusive, PA-28R-180 with serial numbers 28R-30005 to 28R-30481 inclusive, 28R-30483 to 28R-31279 inclusive, and PA-28R-200 with serial numbers 28R-30482, 28R-35001 to 28R-35830 inclusive.
- F - Used on PA-28-180 with serial numbers 28-7105001 to 28-7205328 inclusive, PA-28R-180 with serial numbers 28R-7130001 to 28R-7130019 inclusive, and PA-28R-200 with serial numbers 28R-7135001 to 28R-7135238 inclusive.
- G - Used on PA-28-180 with serial numbers 28-7305001 to 28-7405290 inclusive, and PA-28R-200 with serial numbers 28R-7235001 to 28R-7435331 inclusive.
- H - Used on PA-28R-200 airplanes only.

When ordering, always specify Part Number, Description, and Serial Number of Aircraft

PIPER PARTS CATALOG

Figure and Index Number	Part Number	Code	NOMENCLATURE	No. Req.	SERIAL NUMBERS AFFECTED	
27 -38	63116-096	E	CARPET - Spar box, left, red	1		
	63116-102	B	CARPET - Spar box, right, red	1	28R-30005 to 28R-30103 incl.	
	63116-091	C	CARPET - Spar box, right, red	1		
	63116-058	E	CARPET - Spar box, left, brown	1		
	63116-078	B	CARPET - Spar box, right, brown	1	28R-30005 to 28R-30103 incl.	
	63116-076	C	CARPET - Spar box, right, brown	1		
	63116-051	E	CARPET - Spar box, left, blue	1		
	63116-075	B	CARPET - Spar box, right, blue	1	28R-30005 to 28R-30103 incl.	
	63116-092	C	CARPET - Spar box, right, blue	1		
	63116-138	E	CARPET - Spar box, left, black	1		
	63116-135	E	CARPET - Spar box, right, black	1		
	67903-002	D	CARPET - Spar box, complete, red	1		
	67903-006	D	CARPET - Spar box, complete, blue	1		
	67903-008	D	CARPET - Spar box, complete, fawn	1		
	67903-010	D	CARPET - Spar box, complete, green	1		
	67903-004	D	CARPET - Spar box, complete, black	1		
	591-006	F	CARPET - Spar box, complete, red	1		
	591-008	F	CARPET - Spar box, complete, blue	1		
	591-007	F	CARPET - Spar box, complete, black	1		
	591-010	F	CARPET - Spar box, complete, green	1		
	591-493	G	CARPET - Spar box, complete, heather brown	1		
	591-494	G	CARPET - Spar box, complete, Monaco brown	1	28R-7635504 and up	
				<p>A - Used on PA-28-180 with serial numbers 28-4378 and up, PA-28R-180 and PA-28R-200 airplanes.</p> <p>B - Used on PA-28R-180 airplanes only.</p> <p>C - Used on PA-28-180 with serial numbers 28-4378 to 28-5869 inclusive, PA-28R-180 with serial numbers 28R-30104 to 28R-30481 inclusive, 28R-30483 to 28R-31279 inclusive, and PA-28R-200 with serial numbers 28R-30482, 28R-35001 to 28R-35830 inclusive.</p> <p>D - Used on PA-28-180 with serial numbers 28-7105001 to 28-7405290 inclusive, PA-28R-180 with serial numbers 28R-7130001 to 28R-7130019 inclusive, and PA-28R-200 with serial numbers 28R-7135001 to 28R-7435331 inclusive.</p> <p>E - Used on PA-28-180 with serial numbers 28-4378 to 28-5869 inclusive, PA-28R-180 with serial numbers 28R-30005 to 28R-30481 inclusive, 28R-30483 to 28R-31279 inclusive, and PA-28R-200 with serial numbers 28R-30482, 28R-35001 to 28R-35830 inclusive.</p> <p>F - Used on PA-28-180 with serial numbers 28-7505001 to 28-7505261 inclusive, and PA-28R-200 with serial numbers 28R-7535001 to 28R-7635503 inclusive.</p> <p>G - Used on PA-28R-200 airplanes only.</p>		

When ordering, always specify Part Number, Description, and Serial Number of Aircraft

PIPER PARTS CATALOG

Figure and Index Number	Part Number	Code	NOMENCLATURE	No. Req.	SERIAL NUMBERS AFFECTED
27 -39	63116-125	C	CARPET - Tunnel, side, left, red	1	
	67904-002	B	CARPET - Tunnel, side, left, red	1	
	591-016	D	CARPET - Tunnel, side, left, red	1	
	63116-129	C	CARPET - Tunnel, side, right, red	1	
	67904-003	B	CARPET - Tunnel, side, right, red	1	
	591-021	D	CARPET - Tunnel, side, right, red	1	
	63116-123	C	CARPET - Tunnel, side, left, brown	1	
	63116-127	C	CARPET - Tunnel, side, right, brown	1	
	63116-124	C	CARPET - Tunnel, side, left, blue	1	
	67904-006	B	CARPET - Tunnel, side, left, blue	1	
	591-018	D	CARPET - Tunnel, side, left, blue	1	
	63116-128	C	CARPET - Tunnel, side, right, blue	1	
	67904-007	B	CARPET - Tunnel, side, right, blue	1	
	591-023	D	CARPET - Tunnel, side, right, blue	1	
	63116-139	C	CARPET - Tunnel, side, left, black	1	
	67904-004	B	CARPET - Tunnel, side, left, black	1	
	591-017	D	CARPET - Tunnel, side, left, black	1	
	63116-126	C	CARPET - Tunnel, side, right, black	1	
	67904-005	B	CARPET - Tunnel, side, right, black	1	
	591-022	D	CARPET - Tunnel, side, right, black	1	
	67904-008	B	CARPET - Tunnel, side, left, fawn	1	
	67904-009	B	CARPET - Tunnel, side, right, fawn	1	
	67904-010	B	CARPET - Tunnel, side, left, green	1	
	591-020	D	CARPET - Tunnel, side, left, green	1	
	67904-011	B	CARPET - Tunnel, side, right, green	1	
	591-025	D	CARPET - Tunnel, side, right, green	1	
	591-497	E	CARPET - Tunnel, side, left, heather brown	1	28R-7635504 and up
	591-498	E	CARPET - Tunnel, side, left, Monaco brown	1	28R-7635504 and up
	591-499	E	CARPET - Tunnel, side, right, heather brown	1	28R-7635504 and up
	591-500	E	CARPET - Tunnel, side, right, Monaco brown	1	28R-7635504 and up
			<p>A - Used on PA-28-180 with serial numbers 28-4378 and up, PA-28R-180 and PA-28R-200 airplanes.</p> <p>B - Used on PA-28-180 with serial numbers 28-7105001 to 28-7405290 inclusive, PA-28R-180 with serial numbers 28R-7130001 to 28R-7130019 inclusive, and PA-28R-200 with serial numbers 28R-7135001 to 28R-7435331 inclusive.</p> <p>C - Used on PA-28-180 with serial numbers 28-4378 to 28-5869 inclusive, PA-28R-180 with serial numbers 28R-30005 to 28R-30481 inclusive, 28R-30483 to 28R-31279 inclusive, and PA-28R-200 with serial numbers 28R-30482, 28R-35001 to 28R-35830 inclusive.</p> <p>D - Used on PA-28-180 with serial numbers 28-7505001 to 28-7505261 inclusive, and PA-28R-200 with serial numbers 28R-7535001 to 28R-7635503 inclusive.</p> <p>E - Used on PA-28R-200 airplanes only.</p>		

When ordering, always specify Part Number, Description, and Serial Number of Aircraft

PIPER PARTS CATALOG

Figure and Index Number	Part Number	Code	NOMENCLATURE	No. Req.	SERIAL NUMBERS AFFECTED
27 -40	65324-005	C	CARPET - Baggage compartment, red	1	
	66802-002	E	CARPET - Baggage compartment, red	1	
	66802-006	B	CARPET - Baggage compartment, red	1	
	591-471	C	CARPET - Baggage compartment, red	1	
	65324-003	D	CARPET - Baggage compartment, brown	1	
	66802-003	E	CARPET - Baggage compartment, brown	1	
	65324-004	D	CARPET - Baggage compartment, blue	1	
	66802-004	E	CARPET - Baggage compartment, blue	1	
	66802-008	B	CARPET - Baggage compartment, blue	1	
	591-473	C	CARPET - Baggage compartment, blue	1	
	65324-006	D	CARPET - Baggage compartment, black	1	
	66802-005	E	CARPET - Baggage compartment, black	1	
	66802-007	B	CARPET - Baggage compartment, black	1	
	591-472	C	CARPET - Baggage compartment, black	1	
	66802-009	B	CARPET - Baggage compartment, fawn	1	
	66802-010	B	CARPET - Baggage compartment, green	1	
	591-474	C	CARPET - Baggage compartment, green	1	
	591-491	F	CARPET - Baggage compartment, heather brown	1	28R-7635504 and up 28R-7635504 and up
	591-492	F	CARPET - Baggage compartment, Monaco brown	1	
	-41	63185-002	D	TRIM STRIP - Baggage compartment, rear	1
63185-003		D	TRIM STRIP - Baggage compartment, front	1	
63185-006		G	TRIM STRIP - Baggage compartment	1	
			<p>A - Used on PA-28-180 with serial numbers 28-4378 and up, PA-28R-180 and PA-28R-200 airplanes.</p> <p>B - Used on PA-28-180 with serial numbers 28-7105001 to 28-7405290 inclusive, PA-28R-180 with serial numbers 28R-7130001 to 28R-7130019 inclusive, and PA-28R-200 with serial numbers 28R-7135001 to 28R-7435331 inclusive.</p> <p>C - Used on PA-28-180 with serial numbers 28-7505001 to 28-7505261 inclusive, and PA-28R-200 with serial numbers 28R-7535001 to 28R-7635503 inclusive.</p> <p>D - Used on PA-28-180 with serial numbers 28-4378 to 28-5313 inclusive, and PA-28R-180 with serial numbers 28R-30005 to 28R-30481 inclusive, 28R-30483 to 28R-31092 inclusive.</p> <p>E - Used on PA-28-180 with serial numbers 28-5314 to 28-5869 inclusive, PA-28R-180 with serial numbers 28R-31093 to 28R-31279 inclusive, and PA-28R-200 with serial numbers 28R-30482, 28R-35001 to 28R-35830 inclusive.</p> <p>F - Used on PA-28R-200 airplanes only.</p> <p>G - Used on PA-28-180 with serial numbers 28-5314 and up, PA-28R-180 with serial numbers 28R-31093 and up, and PA-28R-200 with serial numbers 28R-30482, 28R-35001 and up.</p>		

When ordering, always specify Part Number, Description, and Serial Number of Aircraft

PIPER PARTS CATALOG

Figure and Index Number	Part Number	Code	NOMENCLATURE	No. Req.	SERIAL NUMBERS AFFECTED
27 -42	63259-000	C,D	PLATE - Striker, baggage door, length 2.64"	1	
	99450-000	C,D	PLATE - Striker, baggage door, length 3.12"	1	
	63293-002	B,E	PLATE - Striker, baggage door, length 2.00"	1	
	63142-002	K	TRIM STRIP - Door frame, bottom rear	1	
-43	63142-056	L	TRIM STRIP - Door frame, bottom rear	1	28R-7635018 and up
-44	63142-013	F	TRIM STRIP - Door frame, top and side rear	1	
	63142-039	G	TRIM STRIP - Door frame, side rear	1	
	63142-055	L	TRIM STRIP - Door frame, top rear	1	28R-7635018 and up
	63142-038	H	TRIM STRIP - Door frame, top rear	1	
	63142-047	J	TRIM STRIP - Door frame, top rear	1	
	63142-014	F	TRIM STRIP - Door frame, front	1	
-45	63142-040	H	TRIM STRIP - Door frame, front	1	
	63142-048	J	TRIM STRIP - Door frame, front	1	
	63142-051	L	TRIM STRIP - Door frame, front	1	28R-7635018 and up
	63142-008	M	TRIM STRIP - Headlining	1	
-46	63142-036	N	TRIM STRIP - Headlining	1	
			<p>A - Used on PA-28-180 with serial numbers 28-4378 and up, PA-28R-180 and PA-28R-200 airplanes.</p> <p>B - Used on PA-28-180 with serial numbers 28-5314 and up, PA-28R-180 with serial numbers 28R-31093 and up, and PA-28R-200 with serial numbers 28R-30482, 28R-35001 and up.</p> <p>C - Used on PA-28-180 with serial numbers 28-4378 to 28-5313 inclusive, and PA-28R-180 with serial numbers 28R-30005 to 28R-30481 inclusive, 28R-30483 to 28R-31092 inclusive.</p> <p>D - Used if baggage door does not have push button latch.</p> <p>E - Used if baggage door has push button latch.</p> <p>F - Used on PA-28-180 with serial numbers 28-4378 to 28-7205328 inclusive, PA-28R-180 with serial numbers 28R-30005 to 28R-7130019 inclusive, and PA-28R-200 with serial numbers 28R-30482, 28R-35001 to 28R-7135238 inclusive.</p> <p>G - Used on PA-28-180 with serial numbers 28-7305001 and up, and PA-28R-200 with serial numbers 28R-7235001 to 28R-7635017 inclusive.</p> <p>H - Used on PA-28-180 with serial numbers 28-7305001 to 28-7305361 inclusive, and PA-28R-200 with serial numbers 28R-7235001 to 28R-7335218 inclusive.</p> <p>J - Used on PA-28-180 with serial numbers 28-7305362 and up, and PA-28R-200 with serial numbers 28R-7335219 to 28R-7635017 inclusive.</p> <p>K - Used on PA-28-180 with serial numbers 28-4378 and up, PA-28R-180, and PA-28R-200 with serial numbers 28R-30482, 28R-35001 to 28R-7635017 inclusive.</p> <p>L - Used on PA-28R-200 airplanes only.</p> <p>M - Used on PA-28-180 with serial numbers 28-4378 to 28-7105244 inclusive, PA-28R-180 with serial numbers 28R-30005 to 28R-7130019 inclusive, and PA-28R-200 with serial numbers 28R-30482, 28R-35001 to 28R-7135238 inclusive.</p> <p>N - Used on PA-28-180 with serial numbers 28-7205001 to 28-7305611 inclusive, and PA-28R-200 with serial numbers 28R-7235001 to 28R-7335455 inclusive.</p>		

When ordering, always specify Part Number, Description, and Serial Number of Aircraft

PIPER PARTS CATALOG

Figure and Index Number	Part Number	Code	NOMENCLATURE	No. Req.	SERIAL NUMBERS AFFECTED
27 -47	63142-032	L	TRIM STRIP - Headlining	1	
	63142-043	H	TRIM STRIP - Headlining	1	
-48	63142-026	B	TRIM STRIP - Headlining, left	1	
	63142-025	B	TRIM STRIP - Headlining, right	1	
	63142-032	G	TRIM STRIP - Headlining	1	28R-7235001 to 28R-7235330 incl.
	63142-043	H	TRIM STRIP - Headlining	1	
	63142-044	J,K	TRIM STRIP - Headlining	2	
-49	65869-000	D	BEARING - Sun visor	2	
-50	99240-000	E	RING - Boot attachment	1	
-51	65546-000	B	SILL - Door	1	
	76191-000	F	SILL - Door	1	
	76191-002	G	SILL - Door	1	28R-7635018 and up
-52	489-388	D	ASH RECEIVER - (Complete) Chrome (2A20580)	2	
-53	63229-002	C	SUPPORT ASSEMBLY - Sun visor	1	
-54	63900-044	C	BUSHING - Sun visor	1	
<p>A - Used on PA-28-180 with serial numbers 28-4378 and up, PA-28R-180 and PA-28R-200 airplanes.</p> <p>B - Used on PA-28-180 with serial numbers 28-4378 to 28-7205328 inclusive, PA-28R-180 with serial numbers 28R-30005 to 28R-7130019 inclusive, and PA-28R-200 with serial numbers 28R-30482, 28R-35001 to 28R-7135238 inclusive.</p> <p>C - Used on PA-28-180 with serial numbers 28-4378 to 28-5600 inclusive, PA-28R-180 with serial numbers 28R-30005 to 28R-30481 inclusive, 28R-30483 to 28R-31250 inclusive, and PA-28R-200 with serial numbers 28R-30482, 28R-35001 to 28R-35600 inclusive.</p> <p>D - Used on PA-28-180 with serial numbers 28-5601 and up, PA-28R-180 with serial numbers 28R-31251 and up, and PA-28R-200 with serial numbers 28R-35601 and up.</p> <p>E - Used on PA-28-180 with serial numbers 28-7105001 and up, PA-28R-180 with serial numbers 28R-7130001 and up, and PA-28R-200 with serial numbers 28R-7135001 and up.</p> <p>F - Used on PA-28-180 with serial numbers 28-7305001 and up, and PA-28R-200 with serial numbers 28R-7235001 to 28R-7635017 inclusive.</p> <p>G - Used on PA-28R-200 airplanes only.</p> <p>H - Used on PA-28-180 with serial numbers 28-7305001 to 28-7305611 inclusive, and PA-28R-200 with serial numbers 28R-7335001 to 28R-7335455 inclusive.</p> <p>J - Used on PA-28-180 with serial numbers 28-7305001 to 28-7305611 inclusive, and PA-28R-200 with serial numbers 28R-7235266 to 28R-7335455 inclusive.</p> <p>K - Used if air conditioning is installed.</p> <p>L - Used on PA-28-180 with serial numbers 28-4378 to 28-7205328 inclusive, PA-28R-180 with serial numbers 28R-30005 to 28R-7130019 inclusive, and PA-28R-200 with serial numbers 28R-35001 to 28R-7235330 inclusive.</p>					

When ordering, always specify Part Number, Description, and Serial Number of Aircraft

PIPER PARTS CATALOG

Figure and Index Number	Part Number	Code	NOMENCLATURE	No. Req.	SERIAL NUMBERS AFFECTED
27 -55	62353 004	D	LOOP ASSEMBLY - Assist, white	1	
	62353-005	H	LOOP ASSEMBLY - Assist, white	1	
	79455-000	J,K	LOOP ASSEMBLY - Assist, white	1	
-56	63130-002		PLATE - Heel	2	
-57	63163-000	B	FLOORBOARD - Sta. 74 to Sta. 105, left and right	2	
	96684-000	F	FLOORBOARD - Sta. 74 to Sta. 105, left and right	2	
-58	63164-000	B	FLOORBOARD - Front, left	1	
	76123-000	E	FLOORBOARD - Front, left	1	
	76123-004	G	FLOORBOARD - Front, left	1	
	63164-001	B	FLOORBOARD - Front, right	1	
	76123-001	E	FLOORBOARD - Front, right	1	
	76123-005	G	FLOORBOARD - Front, right	1	
-59	453-691	D	BUTTON - Plug, visor	2	
-60	65269-002		DOUBLER - Ash tray	2	
-61	65667-000	C	GRILL ASSEMBLY - Air exhaust	1	
-62	65672-005		SHIELD - Flap handle cover	1	
			A - Used on PA-28-180 with serial numbers 28-4378 and up, PA-28R-180 and PA-28R-200 airplanes.		
			B - Used on PA-28-180 with serial numbers 284378 to 28-7205328 inclusive, PA-28R-180 with serial numbers 28R-30005 to 28R-7130019 inclusive, and PA-28R-200 with serial numbers 28R-30482, 28R-35001 to 28R-7135238 inclusive.		
			C - Used on PA-28-180 with serial numbers 28-4378 to 28-5869 inclusive, PA-28R-180 with serial numbers 28R-30005 to 28R-30481 inclusive, 28R-30483 to 28R-31279 inclusive, and PA-28R-200 with serial numbers 28R-30482, 28R-35001 to 28R-35830 inclusive.		
			D - Used on PA-28-180 with serial numbers 28-4378 to 28-5600 inclusive, PA-28R-180 with serial numbers 28R-30005 to 28R-30481 inclusive, 28R-30483 to 28R-31250 inclusive, and PA-28R-200 with serial number 28R-30482, 28R-35001 to 28R-35600 inclusive.		
			E - Used on PA-28-180 with serial numbers 28-7305001 to 28-7305611 inclusive, and PA-28R-200 with serial numbers 28R-7235001 to 28R-7335455 inclusive.		
			F - Used on PA-28-180 with serial numbers 28-7305001 and up, and PA-28R-200 with serial numbers 28R-7235001 and up.		
			G - Used on PA-28-180 with serial numbers 28-7405001 and up, and PA-28R-200 with serial numbers 28R-7435001 and up.		
			H - Used on PA-28-180 with serial numbers 28-5601 to 28-7405290 inclusive, PA-28R-180 with serial numbers 28R-31251 to 28R-7130019 inclusive, and PA-28R-200 with serial numbers 28R-35601 to 28R-7435331 inclusive.		
			J - Used on PA-28-180 with serial numbers 28-7505001 and up, and PA-28R-200 with serial numbers 28R-7535001 and up.		
			K - No longer available.		

When ordering, always specify Part Number, Description, and Serial Number of Aircraft

PIPER PARTS CATALOG

Figure and Index Number	Part Number	Code	NOMENCLATURE	No. Req.	SERIAL NUMBERS AFFECTED
27 -63	65735-019	C	FLANGE - Air vent	4	
	65735-006	D	FLANGE - Air vent, brown	4	
-64	65735-013	B	FLANGE - Air vent, white	4	
	65735-018	C	CUP - Air vent	4	
	65735-003	D	CUP - Air vent, brown	4	
-65	65735-012	B	CUP - Air vent, white	4	
	67307-000	D	HEADLINING - Cockpit (464-350)	1	
	67307-002	F	HEADLINING - Cockpit (464-370)	1	
-66	67307-003	G	HEADLINING - Cockpit (464-375)	1	
	76462-000	H	HEADLINING - Cockpit (464-385)	1	
	65564-002	D	WINDLACING - Door seal, white	1	
	69403-003	E	WINDLACING - Door seal, white	1	
			A - Used on PA-28-180 with serial numbers 28-4378 and up, PA-28R-180 and PA-28R-200 airplanes.		
			B - Used on PA-28-180 with serial numbers 28-5601 to 28-7405290 inclusive, PA-28R-180 with serial numbers 28R-31251 and up, and PA-28R-200 with serial numbers 28R-30482, 28R-35001 to 28R-7435331 inclusive.		
			C - When ordering, specify color red, blue/green, gold, black, green or "Bark II".		
			D - Used on PA-28-180 with serial numbers 28-4378 to 28-5600 inclusive, PA-28R-180 with serial numbers 28R-30005 to 28R-30481 inclusive, 28R-30483 to 28R-31250 inclusive, and PA-28R-200 with serial numbers 28R-30482, 28R-35001 to 28R-35600 inclusive.		
			E - Used on PA-28-180 with serial numbers 28-5601 and up, PA-28R-180 with serial numbers 28R-31251 and up, and PA-28R-200 with serial numbers 28R-35601 and up.		
			F - Used on PA-28-180 with serial numbers 28-5600 to 28-7205328 inclusive, PA-28R-180 with serial numbers 28R-31251 to 28R-7130019 inclusive, and PA-28R-200 with serial numbers 28R-35601 to 28R-7135238 inclusive.		
			G - Used on PA-28-180 with serial numbers 28-7305001 to 28-7305611 inclusive, and PA-28R-200 with serial numbers 28R-7235001 to 28R-7335445 inclusive.		
			H - Used on PA-28-180 with serial numbers 28-7405001 and up, and PA-28R-200 with serial numbers 28R-7435001 and up.		

When ordering, always specify Part Number, Description, and Serial Number of Aircraft

PIPER PARTS CATALOG

Figure and Index Number	Part Number	Code	NOMENCLATURE	No. Req.	SERIAL NUMBERS AFFECTED
27 -67	68416-000	D	VENT ASSEMBLY - Air, forward, left (complete)	1	
	68416-002	C	VENT ASSEMBLY - Air, forward, left (complete)	1	
	68416-001	D	VENT ASSEMBLY - Air, forward, right (complete)	1	
	68416-003	C	VENT ASSEMBLY - Air, forward, right (complete)	1	
-68	68671-000		* VALVE ASSEMBLY - Air vent	1	
-69	68499-004		* SHAFT ASSEMBLY - Air vent valve, left	1	
	68499-005		* SHAFT ASSEMBLY - Air, vent valve, right	1	
-70	15086-000		SCREW - Self tapping (4 x 1/4) (486-187)	2	
-71	68584-000		GASKET - Air vent assembly	4	
-72	67427-000	E	PLACARD - Aircraft limitations	1	
	66987-000	G	PLACARD - Aircraft limitations	1	
	69288-000	B	PLACARD - Aircraft limitations, mph	1	28-4378 to 28-7205328 incl.
	79157-000	B	PLACARD - Aircraft limitations, knots	1	28-4378 to 28-7205328 incl.
	76206-000	B	PLACARD - Aircraft limitations, mph	1	28-7305001 to 28-7305611 incl.
	76298-000	B	PLACARD - Aircraft limitations, knots	1	28-7305001 to 28-7305611 incl.
	76206-002	B	PLACARD - Aircraft limitations, mph	1	28-7405001 and up
	69669-004	B	PLACARD - Aircraft limitations, knots	1	28-7405001 and up
	99811-000	B,F	PLACARD - Aircraft Imitations, mph	1	28-5653, 28-7205092 to 28-7205328 inclusive
	79156-000	B,F	PLACARD - Aircraft limitations, knots	1	28-5653, 28-7205092 to 28-7205328 inclusive
-73	65219-000		PLACARD - Rudder trim	1	
-74	67235-000	H	GRIP - Handhold	2	
-75	487-629	J	STUD ASSEMBLY - Coat hanger (KM894-1A)	2	
-76	67336-000	K	TOW BAR ASSEMBLY	1	
	99458-000	B	TOW BAR ASSEMBLY	1	
<p>A - Used on PA-28-180 with serial numbers 28-4378 and up, PA-28R-180 and PA-28R-200 airplanes.</p> <p>B - Used on PA-28-180 airplanes only.</p> <p>C - Used on PA-28-180 with serial numbers 28-7305001 and up, and PA-28R-200 with serial numbers 28R-7235001 and up.</p> <p>D - Used on PA-28-180 with serial numbers 28-4378 to 28-7205328 inclusive, PA-28R-180 with serial numbers 28R-30005 to 28R-7130019 inclusive, and PA-28R-200 with serial numbers 28R-30482, 28R-35001 to 28R-7135238 inclusive.</p> <p>E - Used on PA-28R-180 with serial numbers 28R-30005 to 28R-30481 inclusive, 28R-30483 to 28R-31250 inclusive, and PA-28R-200 with serial numbers 28R-30482, 28R-35001 to 28R-35600 inclusive.</p> <p>F - Used if air conditioning is installed.</p> <p>G - Used on PA-28R-180 with serial numbers 28R-31251 and up, and PA-28R-200 with serial numbers 28R-35601 and up.</p> <p>H - Used on PA-28-180 with serial numbers 28-5601 and up, PA-28R-180 with serial numbers 28R-31251 and up, and PA-28R-200 with serial numbers 28R-35601 to 28R-7635404 inclusive.</p> <p>J - Optional equipment.</p> <p>K - Used on PA-28R-180 and PA-28R-200 airplanes only.</p>					

When ordering, always specify Part Number, Description, and Serial Number of Aircraft

PIPER PARTS CATALOG

Figure and Index Number	Part Number	Code	NOMENCLATURE	No. Req.	SERIAL NUMBERS AFFECTED
27 -77	66804-000		STRAP ASSEMBLY - Baggage tie down (tip end), black	2	
-78	66805-000		STRAP ASSEMBLY - Baggage tie down (buckle end), black	2	
-79	99818-000	D	BLANKET ASSEMBLY - Firewall	1	
	99819-000	C	BLANKET ASSEMBLY - Firewall	1	
-80	764-114	G	VISOR ASSEMBLY - Sun	2	
-81	65866-000	H	BLADE - Sun visor	2	
	79787-002	E	BLADE - Sun visor, pilot	1	28R-7635405 and up
	65866-000	E	BLADE - Sun visor, copilot	1	28R-7635405 and up
-82	65865-000	F	RETAINER - Sun visor	2	
-83	65867-000	F	ROD - Sun visor	2	
-84	65871-000	F	CLIP - Sun visor, lower left and upper right	2	
-85	65870-000	F	CLIP - Sun visor, upper left and lower right	2	
-86	78112-002	J	COVER - Cowl deck	1	
	78112-003	K	COVER - Cowl deck	1	
	78112-005	B	COVER - Cowl deck	1	
-87	66710-016		HOLDER ASSEMBLY - Armrest	1	
-88	763-003		* BOX ASSEMBLY - Ash tray	1	
<p>A - Used on PA-28-180 with serial numbers 28-4378 and up, PA-28R-180 and PA-28R-200 airplanes.</p> <p>B - Used on PA-28-180 with serial numbers 28-7505001 and up, and PA-28R-200 with serial numbers 28R-7535001 and up.</p> <p>C - Used on PA-28R-180 and PA-28R-200 airplanes only.</p> <p>D - Used on PA-28-180 airplanes only.</p> <p>E - Used on PA-28R-200 airplanes only.</p> <p>F - Used on PA-28-180 with serial numbers 28-5601 and up, PA-28R-180 with serial numbers 28R-31251 and up, and PA-28R-200 with serial numbers 28R-35601 and up.</p> <p>G - Used on PA-28-180 with serial numbers 28-4378 to 28-5600 inclusive, PA-28R-180 with serial numbers 28R-30005 to 28R-30481 inclusive, 28R-30483 to 28R-31250 inclusive, and PA-28R-200 with serial numbers 28R-30482, 28R-35001 to 28R-35600 inclusive.</p> <p>H - Used on PA-28-180 with serial numbers 28-5601 and up, PA-28R-180 with serial numbers 28R-31251 and up, and PA-28R-200 with serial numbers 28R-35601 to 28R-7635404 inclusive.</p> <p>J - Used on PA-28-180 with serial numbers 28-7105001 to 28-7205328 inclusive, PA-28R-180 with serial numbers 28R-7130001 to 28R-7130019 inclusive, and PA-28R-200 with serial numbers 28R-7135001 to 28R-7235330 inclusive.</p> <p>K - Used on PA-28-180 with serial numbers 28-7305001 to 28-7405290 inclusive, and PA-28R-200 with serial numbers 28R-7335001 to 28R-7435331 inclusive.</p>					

When ordering, always specify Part Number, Description, and Serial Number of Aircraft

PIPER PARTS CATALOG

Figure and Index Number	Part Number	Code	NOMENCLATURE	No. Req.	SERIAL NUMBERS AFFECTED	
27 -88a	66710-044	B,F	PAD - Armrest	1	28R-7635504 and up	
	66710-026	D	PAD - Armrest, white	1		
	580-731	E	PAD - Armrest, camel	1		
-88b	419-594		SCREW - (AN530-10R36)	2		
-89	63832-000	G,H,J	PLATE - Fuel selector	1		
	99295-016	K,L	COVER ASSEMBLY - Fuel selector	1		
	99635-009	L,M	COVER ASSEMBLY - Fuel selector	1		
	99295-006	K	COVER ASSEMBLY - Fuel selector, white	1		
	99295-013	C	COVER ASSEMBLY - Fuel selector, white	1		
-89a	99184-002		PLACARD - Fuel off	1		
-89b	99184-003		PLACARD - Left tank	1		
-89c	99184-004		PLACARD - Right tank	1		
-89d	99184-005		PLACARD - Fuel	1		
-90	63949-000	G,N	HANDLE ASSEMBLY - Fuel selector valve	1		
	99181-003	O	HANDLE ASSEMBLY - Fuel selector valve	1		
-91	63949-002	G,J	* INDICATOR	1		
-92	63949-003	G,J	* HANDLE	1		
<p>A - Used on PA-28-180 with serial numbers 28-4378 and up, PA-28R-180 and PA-28R-200 airplanes.</p> <p>B - Used on PA-28-180 with serial numbers 28-4378 and up, PA-28R-180, and PA-28R-200 with serial numbers 28R-30482, 28R-35001 to 28R-7635404 inclusive.</p> <p>C - Used on PA-28-180 with serial numbers 28-7305001 and up, and PA-28R-200 with serial numbers 28R-7235001 to 28R-7435331 inclusive.</p> <p>D - Used on PA-28-180 with serial numbers 28-5601 to 28-7405290 inclusive, PA-28R-180 with serial numbers 28R-31251 to 28R-7130019 inclusive, and PA-28R-200 with serial numbers 28R-35601 to 28R-7435331 inclusive.</p> <p>E - Used on PA-28R-200 airplanes only.</p> <p>F - When ordering, specify color red, blue/green, gold, black or green.</p> <p>G - Used on PA-28-180 with serial numbers 28-4378 to 28-5869 inclusive, PA-28R-180 with serial numbers 28R-30005 to 28R-30481 inclusive, 28R-30483 to 28R-31379 inclusive, and PA-28R-200 with serial numbers 28R-30482, 28R-35001 to 28R-35830 inclusive.</p> <p>H - When ordering, specify color red, blue, light brown, black, white or green.</p> <p>J - Order part with code "K" serial numbers if Fuel Selector Valve Cover Kit 760 546 has been installed.</p> <p>K - Used on PA-28-180 with serial numbers 28-7105001 to 28-7205328 inclusive, PA-28R-180 with serial numbers 28R-7130001 to 28R-7130019 inclusive, and PA-28R-200 with serial numbers 28R-7135001 to 28R-7135238 inclusive.</p> <p>L - When ordering, specify color red blue/green, gold, black, green or "Bark II".</p> <p>M - Used on PA-28-180 with serial numbers 28-7305001 and up, and PA-28R-200 with serial numbers 28R-7235001 and up.</p> <p>N - Order part with code "O" serial numbers if Fuel Selector Valve Cover Kit 760 546 has been installed.</p> <p>O - Used on PA-28-180 with serial numbers 28-7105001 and up PA-28R-180 with serial numbers 28R-7130001 and up, and PA-28R-200 with serial numbers 28R-7135001 and up.</p>						

When ordering, always specify Part Number, Description, and Serial Number of Aircraft

PIPER PARTS CATALOG

Figure and Index Number	Part Number	Code	NOMENCLATURE	No. Req.	SERIAL NUMBERS AFFECTED
27 -93	99141-003	G	PLATE - Seat attachment, forward	4	
-94	99140-000	G	PLATE - Seat attachment, forward	4	
-95	99139-000	J	PLATE - Seat attachment, aft	4	
	79440-000	F	RETAINER ASSEMBLY - Seat attachment, aft	4	
	79781-002	C	PLATE ASSEMBLY - Seat attachment, aft	4	28R-7635509 and up
-95a	68094-003	C	PLATE - Trim, aft	4	28R-7635509 and up
-96	99142-000	J	CLIP - Seat attachment, aft	8	
-97	68551-000	H	SLEEVE - Trim	2	
-98	99252-002	B	COVER ASSEMBLY - Exhaust vent, red	2	
	99252-003	B	COVER ASSEMBLY - Exhaust vent, blue	2	
	99252-004	B	COVER ASSEMBLY - Exhaust vent, tan	2	
	99252-005	B	COVER ASSEMBLY - Exhaust vent, black	2	
	99252-007	B	COVER ASSEMBLY - Exhaust vent, green	2	
	99252-009	B	COVER ASSEMBLY - Exhaust vent, blue/green	2	
	99252-010	D,E	COVER ASSEMBLY - Exhaust vent	2	
<p>A - Used on PA-28-180 with serial numbers 28-4378 and up, PA-28R-180 and PA-28R-200 airplanes.</p> <p>B - Used on PA-28-180 with serial numbers 28-7105001 to 28-7405290 inclusive, PA-28R-180 with serial numbers 28R-7130001 and up, and PA-28R-200 with serial numbers 28R-7135001 to 28R-7435331 inclusive.</p> <p>C - Used on PA-28R-200 airplanes only.</p> <p>D - Used on PA-28-180 with serial numbers 28-7505001 and up, and PA-28R-200 with serial numbers 28R-7535001 to 28R-7635503 inclusive.</p> <p>E - When ordering, specify color red, blue/green, gold, black, green or "Bark II".</p> <p>F - Used on PA-28-180 with serial numbers 28-7505047 to 28-7505261 inclusive, and PA-28R-200 with serial numbers 28R-7535042 to 28R-7635508 inclusive.</p> <p>G - Used on PA-28-180 with serial numbers 28-7105001 and up, PA-28R-180 with serial numbers 28R-7130001 and up, and PA-28R-200 with serial numbers 28R-7135001 and up.</p> <p>H - Used on PA-28-180 with serial numbers 28-7105001 to 28-7105244 inclusive, PA-28R-180 with serial numbers 28R-7130001 to 28R-7130019 inclusive, and PA-28R-200 with serial numbers 28R-7135001 to 28R-7135238 inclusive.</p> <p>J - Used on PA-28-180 with serial numbers 28-7105001 to 28-7505046 inclusive, PA-28R-180 with serial numbers 28R-7130001 to 28R-7130019 inclusive, and PA-28R-200 with serial numbers 28R-7135001 to 28-7535041 inclusive.</p>					

When ordering, always specify Part Number, Description, and Serial Number of Aircraft

PIPER PARTS CATALOG

Figure and Index Number	Part Number	Code	NOMENCLATURE	No. Req.	SERIAL NUMBERS AFFECTED	
27 -99	99245-002	F	CARPET - Floor, rear, red	1		
	99245-005	F	CARPET - Floor, rear, blue	1		
	99245-006	F	CARPET - Floor, rear, fawn	1		
	99245-004	F	CARPET - Floor, rear, black	1		
	99245-007	F	CARPET - Floor, rear, green	1		
	591-399	G	CARPET - Floor, rear, red	1		
	591-401	G	CARPET - Floor, rear, blue	1		
	591-400	G	CARPET - Floor, rear, black	1		
	591-403	G	CARPET - Floor, rear, green	1		
	591-579	H	CARPET - Floor, rear, heather brown	1	28R-7635504 and up	
	591-580	H	CARPET - Floor, rear, Monaco brown	1	28R-7635504 and up	
	-100	99116-000	B	PANEL - Floor	1	
		99116-002	D	PANEL - Floor	1	
		99116-003	E	PANEL - Floor	1	
79828-003		H	PANEL - Floor	1	28R-7635509 and up	
-101	414-769	C	SCREW - (MS24693-S53)	45		
	603-800	C	TEE NUT - (Stafast 83243-ZN)	45		
-102	414-761	C	SCREW - (MS24693-S48)	3		
	603-800	C	TEE NUT - (Stafast 83243-ZN)	3		
-103	99143-000	C	STRIP - Trim	1		
			A - Used on PA-28-180 with serial numbers 28-4378 and up, PA-28R-180 and PA-28R-200 airplanes.			
			B - Used on PA-28-180 with serial numbers 28-7105001 to 28-7105244 inclusive, PA-28R-180 with serial numbers 28R-7130001 to 28R-7130019 inclusive, and PA-28R-200 with serial numbers 28R-7135001 to 28R-7135238 inclusive.			
			C - Used on PA-28-180 with serial numbers 28-7105001 and up, PA-28R-180 with serial numbers 28R-7130001 and up, and PA-28R-200 with serial numbers 28R-7135001 and up.			
			D - Used on PA-28-180 with serial numbers 28-7205001 to 28-7505046 inclusive, and PA-28R-200 with serial numbers 28R-7235001 to 28R-7535041 inclusive.			
			E - Used on PA-28-180 with serial numbers 28-7505047 to 28-7505261 inclusive, and PA-28R-200 with serial numbers 28R-7535042 to 28R-7635508 inclusive.			
			F - Used on PA-28-180 with serial numbers 28-7105001 to 28-7405290 inclusive, PA-28R-180 with serial numbers 28R-7130001 to 28R-7130019 inclusive, and PA-28R-200 with serial numbers 28R-7135001 to 28R-7435331 inclusive.			
			G - Used on PA-28-180 with serial numbers 28-7505001 and up, and PA-28R-200 with serial numbers 28R-7535001 to 28R-7635503 inclusive.			
			H - Used on PA-28R-200 airplanes only.			

When ordering, always specify Part Number, Description, and Serial Number of Aircraft

PIPER PARTS CATALOG

Figure and Index Number	Part Number	Code	NOMENCLATURE	No. Req.	SERIAL NUMBERS AFFECTED
27 -104	76221-000	E	CLIP - Shoulder harness retaining	1	
-105	99967-000	C	RETAINER - Glare shield, left	1	
	99968-000	C	RETAINER - Glare shield, right	1	
-106	79125-000	C	CAP - Trim, left	1	
	79125-001	C	CAP - Trim, right	1	
-107	99991-000	D	COVER - Transponder antenna	1	
-108	79456-000	B	CAP - Assist strap	1	
-109	79404-000	B	COVER - Trim, radio cooling	1	
-110	66787-000		PLACARD - Cabin bulkhead	1	
-111	415-377		SCREW - (MS51957-28)	4	
	477-696		NUT - Dome (8061-NP)	4	
-112	515-710	C	SCREW	2	
	690-640	C	WASHER - (NAS1149FN632P)	2	
	404-528	C	NUT - (MS21042-06)	2	
-113	36588-004	F	SCREW AND POST ASSEMBLY - Retainer	2	
-114	484-691	F	RIVET - Plastic (201-120751-00-0103)	2	
<p>A - Used on PA-28-180 with serial numbers 28-4378 and up, PA-28R-180 and PA-28R-200 airplanes.</p> <p>B - Used on PA-28-180 with serial numbers 28-7505001 and up, and PA-28R-200 with serial numbers 28R-7535001 and up.</p> <p>C - Used on PA-28-180 with serial numbers 28-7305001 and up, and PA-28R-200 with serial numbers 28R-7335001 and up.</p> <p>D - Used on PA-28-180 with serial numbers 28-7205094 to, 28-7205294 inclusive, and PA-28R-200 with serial numbers 28R-7235001 to 28R-7235282 inclusive.</p> <p>E - Used on PA-28-180 with serial numbers 28-7305144 and up, and PA-28R-200 with serial numbers 28R-7235001 and up.</p> <p>F - Used on PA-28-180 with serial numbers 28-5601 and up, PA-28R-180 with serial numbers 28R-31251 and up, and PA-28R-200 with serial numbers 28R-35601 and up.</p>					

When ordering, always specify Part Number, Description, and Serial Number of Aircraft

THIS PAGE INTENTIONALLY LEFT BLANK

PIPER PARTS CATALOG

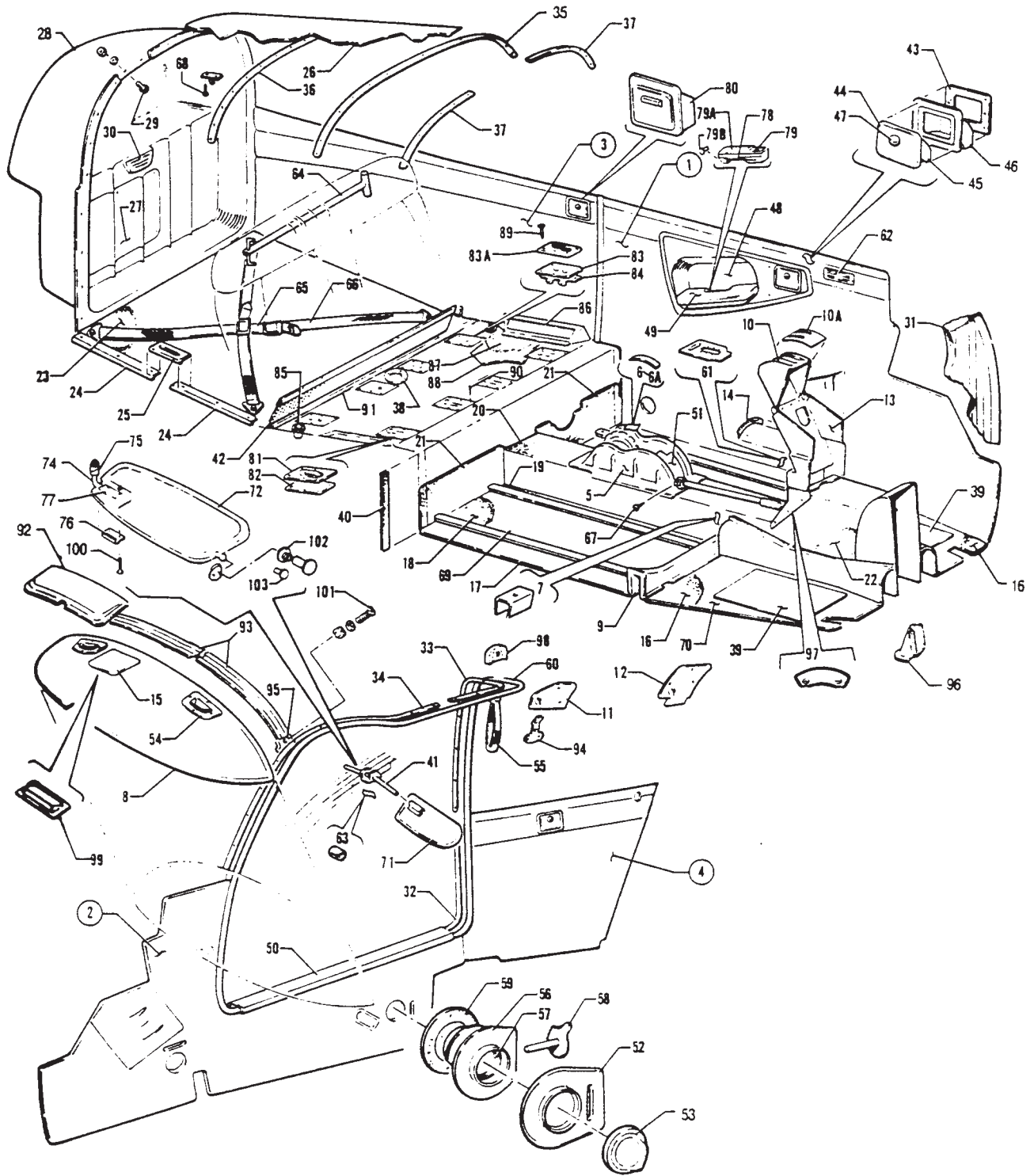


Figure 27A. Cockpit Finishing Installation
(PA-28-235 - Serial Nos. 28-11040 and up)

THIS PAGE INTENTIONALLY LEFT BLANK

PIPER PARTS CATALOG

Figure and Index Number	Part Number	Code	NOMENCLATURE	No. Req.	SERIAL NUMBERS AFFECTED	
27A-2	67304-003		PANEL ASSEMBLY - Right front cockpit, brown	1	28-11040 to 28-11300 inclusive	
	67304-004		PANEL ASSEMBLY - Right front cockpit, blue	1	28-11040 to 28-11300 inclusive	
	66924-003		PANEL ASSEMBLY - Right front cockpit, blue	1	28-11301 to 28-11393 inclusive	
	99133-004		PANEL ASSEMBLY - Right front cockpit, blue	1	28-7110001 to 28-7110042 incl.	
	99658-003		PANEL ASSEMBLY - Right front cockpit, blue/green	1	28-7210001 to 28-7210033 incl.	
	580-733		PANEL ASSEMBLY - Right front cockpit, blue/green	1	28-7310001 to 28-7310187 incl.	
	579-686		PANEL ASSEMBLY - Right front cockpit, blue/green	1	28-7410001 to 28-7610020 incl.	
	579-627		PANEL ASSEMBLY - Right front cockpit, blue/green	1	28-7610021 to 28-7610206 incl.	
	67304-005		PANEL ASSEMBLY - Right front cockpit, beige	1	28-11040 to 28-11300 inclusive	
	66924-004		PANEL ASSEMBLY - Right front cockpit, beige	1	28-11301 to 28-11393 inclusive	
	99133-006		PANEL ASSEMBLY - Right front cockpit, beige	1	28-7110001 to 28-7110042 incl.	
	99658-004		PANEL ASSEMBLY - Right front cockpit, gold	1	28-7210001 to 28-7210033 incl.	
	580-734		PANEL ASSEMBLY - Right front cockpit, gold	1	28-7310001 to 28-7310187 incl.	
	579-687		PANEL ASSEMBLY - Right front cockpit, gold	1	28-7410001 to 28-7610020 incl.	
	579-628		PANEL ASSEMBLY - Right front cockpit, gold	1	28-7610021 to 28-7610206 incl.	
	66924-005		PANEL ASSEMBLY - Right front cockpit, green	1	28-11301 to 28-11393 incl.	
	99133-008		PANEL ASSEMBLY - Right front cockpit, green	1	28-7110001 to 28-7110042 incl.	
	99658-007		PANEL ASSEMBLY - Right front cockpit, green	1	28-7210001 to 28-7210033 incl.	
	580-737		PANEL ASSEMBLY - Right front cockpit, green	1	28-7310001 to 28-7310187 incl.	
	579-690		PANEL ASSEMBLY - Right front cockpit, green	1	28-7410001 to 28-7610020 incl.	
	579-630		PANEL ASSEMBLY - Right front cockpit, green	1	28-7610021 to 28-7610206 incl.	
	66924-006		PANEL ASSEMBLY - Right front cockpit, black	1	28-11301 to 28-11393 inclusive	
	99133-010		PANEL ASSEMBLY - Right front cockpit, black	1	28-7110001 to 28-7110042 incl.	
	99658-005		PANEL ASSEMBLY - Right front cockpit, black	1	28-7210001 to 28-7210033 incl.	
	580-735		PANEL ASSEMBLY - Right front cockpit, black	1	28-7310001 to 28-7310187 incl.	
	579-688		PANEL ASSEMBLY - Right front cockpit, black	1	28-7410001 to 28-7610020 incl.	
	579-629		PANEL ASSEMBLY - Right front cockpit, black	1	28-7610021 to 28-7610206 incl.	
	66924-007		PANEL ASSEMBLY - Right front cockpit, white	1	28-11301 to 28-11393 incl.	
	99133-012		PANEL ASSEMBLY - Right front cockpit, white	1	28-7110001 to 28-7110042 incl.	
	99658-006		PANEL ASSEMBLY - Right front cockpit, white	1	28-7210001 to 28-7210033 incl.	
	580-736		PANEL ASSEMBLY - Right front cockpit, white	1	28-7310001 to 28-7310187 incl.	
	579-897		PANEL ASSEMBLY - Right front cockpit, white	1	28-7410001 to 28-7410120 incl.	
	580-713		PANEL ASSEMBLY - Right front cockpit (heather brown carpet)	1	28-7710001 and up	
	580-735		PANEL ASSEMBLY - Right front cockpit (Monaco brown carpet)	1	28-7710001 and up	
	-3	67302-002		PANEL ASSEMBLY - Left rear cockpit, red	1	28-11040 to 28-11300 inclusive
		66925-002		PANEL ASSEMBLY - Left rear cockpit, red	1	28-11301 to 28-11393 inclusive
		99132-002		PANEL ASSEMBLY - Left rear cockpit, red	1	28-7110001 to 28-7110042 incl.
		99657-002		PANEL ASSEMBLY - Left rear cockpit, red	1	28-7210001 to 28-7210033 incl.
		580-360		PANEL ASSEMBLY - Left rear cockpit, red	1	28-7310001 to 28-7310187 incl.
		579-913		PANEL ASSEMBLY - Left rear cockpit, red	1	28-7410001 to 28-7610206 incl.
		67302-003		PANEL ASSEMBLY - Left rear cockpit, brown	1	28-11040 to 28-11300 inclusive
		67302-004		PANEL ASSEMBLY - Left rear cockpit, blue	1	28-11040 to 28-11300 inclusive
		66925-003		PANEL ASSEMBLY - Left rear cockpit, blue	1	28-11301 to 28-11393 inclusive
		99132-004		PANEL ASSEMBLY - Left rear cockpit, blue	1	28-7110001 to 28-7110042 incl.
		99657-003		PANEL ASSEMBLY - Left rear cockpit, blue/green	1	28-7210001 to 28-7210033 incl.
		580-361		PANEL ASSEMBLY - Left rear cockpit, blue/green	1	28-7310001 to 28-7310187 incl.
		579-912		PANEL ASSEMBLY - Left rear cockpit, blue/green	1	28-7410001 to 28-7610206 incl.
67302-005			PANEL ASSEMBLY - Left rear cockpit, beige	1	28-11040 to 28-11300 inclusive	
66925-004			PANEL ASSEMBLY - Left rear cockpit, beige	1	28-11301 to 28-11393 inclusive	
99132-006			PANEL ASSEMBLY - Left rear cockpit, beige	1	28-7110001 to 28-7110042 incl.	
99657-004			PANEL ASSEMBLY - Left rear cockpit, gold	1	28-7210001 to 28-7210033 incl.	
580-362			PANEL ASSEMBLY - Left rear cockpit, gold	1	28-7310001 to 28-7310187 incl.	
579-911			PANEL ASSEMBLY - Left rear cockpit, gold	1	28-7410001 to 28-7610206 incl.	
			A - Used on PA-28-235 with serial numbers 28-11040 and up.			

When ordering, always specify Part Number, Description, and Serial Number of Aircraft

PIPER PARTS CATALOG

Figure and Index Number	Part Number	Code	NOMENCLATURE	No. Req.	SERIAL NUMBERS AFFECTED	
27A-3	66925-005		PANEL ASSEMBLY - Left rear cockpit, green	1	28-11301 to 28-11393 inclusive	
	99132-008		PANEL ASSEMBLY - Left rear cockpit, green	1	28-7110001 to 28-7110042 incl.	
	99657-007		PANEL ASSEMBLY - Left rear cockpit, green	1	28-7210001 to 28-7210033 incl.	
	580-365		PANEL ASSEMBLY - Left rear cockpit, green	1	28-7310001 to 28-7310187 incl.	
	579-908		PANEL ASSEMBLY - Left rear cockpit, green	1	28-7410001 to 28-7610206 incl.	
	66925-006		PANEL ASSEMBLY - Left rear cockpit, black	1	28-11301 to 28-11393 inclusive	
	99132-010		PANEL ASSEMBLY - Left rear cockpit, black	1	28-7110001 to 28-7110042 incl.	
	99657-005		PANEL ASSEMBLY - Left rear cockpit, black	1	28-7210001 to 28-7210033 incl.	
	580-363		PANEL ASSEMBLY - Left rear cockpit, black	1	28-7310001 to 28-7310187 incl.	
	579-910		PANEL ASSEMBLY - Left rear cockpit, black	1	28-7410001 to 28 7610206 incl.	
	66925-007		PANEL ASSEMBLY - Left rear cockpit, white	1	28-11301 to 28-11393 inclusive	
	99132-012		PANEL ASSEMBLY - Left rear cockpit, white	1	28-7110001 to 28-7110042 incl.	
	99667-006		PANEL ASSEMBLY - Left rear cockpit, white	1	28-7210001 to 28-7210033 incl.	
	580-364		PANEL ASSEMBLY - Left rear cockpit, white	1	28-7310001 to 28-7310187 incl.	
	579-909		PANEL ASSEMBLY - Left rear cockpit, white	1	28-7410001 to 28-7410120 incl.	
	580-712		PANEL ASSEMBLY - Left rear cockpit	1	28-7710001 and up	
	-4	67303-002		PANEL ASSEMBLY - Right rear cockpit, red	1	28-11040 to 28-11300 inclusive
		66923-002		PANEL ASSEMBLY - Right rear cockpit, red	1	28-11301 to 28-11393 inclusive
		99134-002		PANEL ASSEMBLY - Right rear cockpit, red	1	28-7110001 to 28-7110042 incl.
		99660-002		PANEL ASSEMBLY - Right rear cockpit, red	1	28-7210001 to 28-7210033 incl.
		580-396		PANEL ASSEMBLY - Right rear cockpit, red	1	28-7310001 to 28-7310187 incl.
		579-877		PANEL ASSEMBLY - Right rear cockpit, red	1	28-7410001 to 28-7610206 incl.
		67303-003		PANEL ASSEMBLY - Right rear cockpit, brown	1	28-11040 to 28-11300 inclusive
		67303-004		PANEL ASSEMBLY - Right rear cockpit, blue	1	28-11040 to 28-11300 inclusive
		66923-003		PANEL ASSEMBLY - Right rear cockpit, blue	1	28-11301 to 28 11393 inclusive
		99134-004		PANEL ASSEMBLY - Right rear cockpit, blue	1	28-7110001 to 28-7110042 incl.
		99660-003		PANEL ASSEMBLY - Right rear cockpit, blue/green	1	28-7210001 to 28-7210033 incl.
		580-397		PANEL ASSEMBLY - Right rear cockpit, blue/green	1	28-7310001 to 28-7310187 incl.
		579-876		PANEL ASSEMBLY - Right rear cockpit, blue/green	1	28-7410001 to 28-7610206 incl.
		67303-005		PANEL ASSEMBLY - Right rear cockpit, beige	1	28-11040 to 28-11300 inclusive
		66923-004		PANEL ASSEMBLY - Right cockpit, beige	1	28-11301 to 28-11393 inclusive
		99134-006		PANEL ASSEMBLY - Right rear cockpit, beige	1	28-7110001 to 28-7110042 incl.
		99660-004		PANEL ASSEMBLY - Right rear cockpit, gold	1	28-7210001 to 28-7210033 incl.
		580-398		PANEL ASSEMBLY - Right rear cockpit, gold	1	28-7310001 to 28-7310187 incl.
		579-875		PANEL ASSEMBLY - Right rear cockpit, gold	1	28-7410001 to 28-7610206 incl.
66923-005			PANEL ASSEMBLY - Right rear cockpit, green	1	28-11301 to 28-11393 inclusive	
99134-008			PANEL ASSEMBLY - Right rear cockpit, green	1	28-7110001 to 28-7110042 incl.	
99660-007			PANEL ASSEMBLY - Right rear cockpit, green	1	28-7210001 to 28-7210033 incl.	
580-401			PANEL ASSEMBLY - Right rear cockpit, green	1	28-7310001 to 28-7310187 incl.	
579-872			PANEL ASSEMBLY - Right rear cockpit, green	1	28-7410001 to 28-7610206 incl.	
66923-006			PANEL ASSEMBLY - Right rear cockpit, black	1	28-11301 to 28-11393 inclusive	
99134-010			PANEL ASSEMBLY - Right rear cockpit, black	1	28-7110001 to 28-7110042 incl.	
99660-005			PANEL ASSEMBLY - Right rear cockpit, black	1	28-7210001 to 28-7210033 incl.	
580-399			PANEL ASSEMBLY - Right rear cockpit, black	1	28-7310001 to 28-7310187 incl.	
579-874			PANEL ASSEMBLY - Right rear cockpit, black	1	28-7410001 to 28-7610206 incl.	
66923-007			PANEL ASSEMBLY - Right rear cockpit, white	1	28-11301 to 28-11393 inclusive	
99134-012			PANEL ASSEMBLY - Right rear cockpit, white	1	28-7110001 to 28-7110042 incl.	
99660-006			PANEL ASSEMBLY - Right rear cockpit, white	1	28-7210001 to 28-7210033 incl.	
580-400			PANEL ASSEMBLY - Right rear cockpit, white	1	28-7310001 to 28-7310187 incl.	
579-873			PANEL ASSEMBLY - Right rear cockpit, white	1	28-7410001 to 28-7410120 incl.	
580-716			PANEL ASSEMBLY - Right rear cockpit	1	28-7710001 and up	
			A - Used on PA-28-235 with serial numbers 28-11040 and up.			

When ordering, always specify Part Number, Description, and Serial Number of Aircraft

PIPER PARTS CATALOG

Figure and Index Number	Part Number	Code	NOMENCLATURE	No. Req.	SERIAL NUMBERS AFFECTED
27A-5	65670-002	C	COVER ASSEMBLY - Flap handle, red	1	28-11040 to 28-11393 inclusive
	65670-003		COVER ASSEMBLY - Flap handle, brown	1	28-11040 to 28-11393 inclusive
	65670-004		COVER ASSEMBLY - Flap handle, blue	1	28-11040 to 28-11393 inclusive
	65670-009		COVER ASSEMBLY - Flap handle, black	1	28-11040 to 28-11393 inclusive
	67785-017		COVER ASSEMBLY - Flap handle	1	28-7110001 and up
-6	65699-000		* PLACARD - Stabilator trim	1	28-11040 to 28-11393 inclusive
-6a	67786-000		* PLACARD - Stabilator trim	1	28-7110001 and up
-7	63144-000		COVER - Fuselage frame, inboard, Sta. 73.04	2	
-8	67325-000		COVER - Cowl	1	
-9	65674-007		COVER ASSEMBLY - Fuselage frame, Sta. 73.04, red	2	28-11040 to 28-7610206 incl.
	65674-005	COVER ASSEMBLY - Fuselage frame, Sta. 73.04, brown	2	28-11040 to 28-7610206 incl.	
	65674-006	COVER ASSEMBLY - Fuselage frame, Sta. 73.04, blue	2	28-11040 to 28-11393 inclusive	
	65674-009	COVER ASSEMBLY - Fuselage frame, Sta. 73.04, black	2	28-11040 to 28-7610206 incl.	
	65674-011	COVER ASSEMBLY - Fuselage frame, Sta. 73.04, green	2	28-7110001 to 28-7610206 incl.	
	65674-013	COVER ASSEMBLY - Fuselage frame, Sta. 73.04, blue/green	2	28-7110001 to 28-7610206 incl.	
	65674-015	COVER ASSEMBLY - Fuselage frame, Sta. 73.04, black	2	28-7710001 and up	
-10	67232-012	B	COVER ASSEMBLY - Engine controls, red	1	28-11040 to 28-7210033 incl.
	67232-010	B	COVER ASSEMBLY - Engine controls, brown	1	28-11040 to 28-11300 inclusive
	67232-011	B	COVER ASSEMBLY - Engine controls, blue	1	28-11040 to 28-11393 inclusive
	67232-013	B	COVER ASSEMBLY - Engine controls, tan	1	28-11040 to 28-7210033 incl.
	67232-015	B	COVER ASSEMBLY - Engine controls, black	1	28-11301 to 28-7210033 incl.
	67232-022	B	COVER ASSEMBLY - Engine controls, white	1	28-11301 to 28-7210033 incl.
	67232-021	B	COVER ASSEMBLY - Engine controls, green	1	28-11301 to 28-7210033 incl.
	67232-025	B	COVER ASSEMBLY - Engine controls, blue/green	1	28-7110001 to 28-7210033 incl.
	67232-008		COVER ASSEMBLY - Engine controls, red	1	28-7310001 to 28-7410120 incl.
	67232-009		COVER ASSEMBLY - Engine controls, tan	1	28-7310001 to 28-7410120 incl.
	67232-017		COVER ASSEMBLY - Engine controls, white	1	28-7310001 to 28-7410120 incl.
	67232-018		COVER ASSEMBLY - Engine controls, black	1	28-7310001 to 28-7410120 incl.
	67232-020		COVER ASSEMBLY - Engine controls, green	1	28-7310001 to 28-7410120 incl.
	67232-024		COVER ASSEMBLY - Engine controls, blue/green	1	28-7310001 to 28-7410120 incl.
	67232-027		COVER ASSEMBLY - Engine controls, red	1	28-7510001 to 28-7610206 incl.
	67232-028		COVER ASSEMBLY - Engine controls, tan	1	28-7510001 to 28-7610206 incl.
	67232-029		COVER ASSEMBLY - Engine controls, white	1	28-7510001 to 28-7610206 incl.
	67232-030		COVER ASSEMBLY - Engine controls, black	1	28-7510001 to 28-7610206 incl.
	67232-031		COVER ASSEMBLY - Engine controls, green	1	28-7510001 to 28-7610206 incl.
	67232-032		COVER ASSEMBLY - Engine controls, blue/green	1	28-7510001 to 28-7610206 incl.
	67232-041	D	COVER ASSEMBLY - Engine controls	1	28-7710001 and up
-10a	65846-000	B	* PLACARD - Engine controls	1	28-11040 to 28-7210033 incl.
	67239-000		* PLACARD - Engine controls	1	28-7310001 to 28-7410120 incl.
	69669-045		* PLACARD - Engine controls	1	28-7510001 to 28-7610206 incl.
-11	99737-002		COVER ASSEMBLY - Shoulder harness, forward, left	1	28-7210001 to 28-7210033 incl.
	78054-002		COVER ASSEMBLY - Shoulder harness, forward, left	1	28-7310001 and up
	99801-000		COVER ASSEMBLY - Shoulder harness, forward, right	1	28-7210001 to 28-7210033 incl.
	99801-002		COVER ASSEMBLY - Shoulder harness, forward, right	1	28-7310001 and up
-12	99850-000		COVER - Shoulder harness, rear, left	1	28-7210001 to 28-7210033 incl.
	99920-002		COVER - Shoulder harness, rear, left	1	28-7310001 and up
	99850-001		COVER - Shoulder harness, rear, right	1	28-7210001 to 28-7210033 incl.
	99920-003		COVER - Shoulder harness, rear, right	1	28-7310001 and up

A - Used on PA-28-235 with serial numbers 28-11040 and up.
 B - See Figure 67A if Constant Speed Propeller is installed.
 C - When ordering, specify color red, blue/green, gold, black green or bark. Specify "Bark I" for serial numbers 28-7710001 to 28-7710010 inclusive. Specify color "Bark II" for serial numbers 28-7710011 and up.
 D - When ordering for serial numbers 28-7710001 to 28-7710010 inclusive, specify color "Bark I". When ordering for several numbers 28-7710011 and up specify color "Bark II" or black.

When ordering, always specify Part Number, Description, and Serial Number of Aircraft

PIPER PARTS CATALOG

Figure and Index Number	Part Number	Code	NOMENCLATURE	No. Req.	SERIAL NUMBERS AFFECTED
27A-13	69443-019	D	COVER ASSEMBLY - Console, brown (with fuel selector cover)	1	28-11040 to 28-11300 inclusive
	69443-016	B	COVER ASSEMBLY - Console, red (with fuel selector cover)	1	28-11040 to 28-11300 inclusive
	69443-017	D	COVER ASSEMBLY - Console, blue (with fuel selector cover)	1	28-11040 to 28-11300 inclusive
	69443-018	B	COVER ASSEMBLY - Console, tan (with fuel selector cover)	1	28-11040 to 28-11300 inclusive
	69443-002	B	COVER ASSEMBLY - Console, red (less fuel selector cover)	1	28-11301 to 28-7210033 incl.
	69443-003	D	COVER ASSEMBLY - Console, blue (less fuel selector cover)	1	28-11301 to 28-11393 inclusive
	69443-004	B	COVER ASSEMBLY - Console, tan (less fuel selector cover)	1	28-11301 to 28-7210033 incl.
	69443-007	B	COVER ASSEMBLY - Console, green (less fuel selector cover)	1	28-11301 to 28-7210033 incl.
	69443-005	B	COVER ASSEMBLY - Console, black, (less fuel selector cover)	1	28-11301 to 28-7210033 incl.
	69443-006	B	COVER ASSEMBLY - Console, white (less fuel selector cover)	1	28-11301 to 28-7210033 incl.
	69443-021	B	COVER ASSEMBLY - Console, blue/green (less fuel selector cover)	1	28-7110001 to 28-7210033 incl.
	69443-022	B	COVER ASSEMBLY - Console, red (less fuel selector cover)	1	28-7310001 to 28-7310125 incl.
	69443-023	B	COVER ASSEMBLY - Console, tan (less fuel selector cover)	1	28-7310001 to 28-7310125 incl.
	69443-024	B	COVER ASSEMBLY - Console, black (less fuel selector cover)	1	28-7310001 to 28-7310125 incl.
	69443-025	B	COVER ASSEMBLY - Console, white (less fuel selector cover)	1	28-7310001 to 28-7310125 incl.
	69443-026	B	COVER ASSEMBLY - Console, green (less fuel selector cover)	1	28-7310001 to 28-7310125 incl.
	69443-027	B	COVER ASSEMBLY - Console, blue/green (less fuel selector cover)	1	28-7310001 to 28-7310125 incl.
	99927-007	C	COVER ASSEMBLY - Console, blue (less fuel selector cover)	1	28-11040 to 28-11393 inclusive
	99927-010	C	COVER ASSEMBLY - Console, brown (less fuel selector cover)	1	28-11040 to 28-11300 inclusive
	99927-020	E	COVER ASSEMBLY - Console, (less fuel selector cover)	1	28-7310126 to 28-7610206 incl.
99927-021	G	COVER ASSEMBLY - Console, bark (less fuel selector cover)	1	28-7710001 and up	
99927-004		COVER ASSEMBLY - Console, white (less fuel selector cover)	1	28-7310126 to 28-7410120 incl.	
-14	69086-000	F	* PLACARD - Fuel selector cover	1	28-11040 to 28-7210033 incl.
	69672-000		* PLACARD - Fuel selector cover	1	28-7310001 and up
-15	67315-000		COVER ASSEMBLY - Access	1	28-11040 to 28-11393 inclusive

- A - Used on PA-28-235 with serial numbers 28-11040 and up.
- B - No longer available. Order Part No. for serial numbers 28-7310126 to 28-7610206 inclusive if Fuel Selector Control Modification Kit has been installed per Piper Service Bulletin 376. If Fuel Selector Control Modification Kit has not been installed per Service Bulletin 376, order Kit 760-683 for serial numbers 28-11040 to 28-11300 inclusive or Kit 760-684 for serial numbers 28-11301 to 28-7310083 inclusive.
- C - Used if Fuel Selector Control Modification Kit has been installed per Piper Service Bulletin 376.
- D - No longer available. Order Cover Assembly 99927-010 brown or 99927-007 blue if Fuel Selector Control Modification Kit has been installed per Service Bulletin 376. If Fuel Selector Control Modification Kit has not been installed per Piper Service Bulletin 376, order Kit 760-683 for serial numbers 28-11040 to 28-11300 inclusive or Kit 760-684 for serial numbers 28-11301 to 28-7310083 inclusive.
- E - When ordering, specify color red, blue/green, tan, black or green.
- F - Order Part No. for serial numbers 28-7310001 and up, if Fuel Selector Control Modification Kit has been installed per Piper Service Bulletin 376.
- G - When ordering for serial numbers 28-7710001 to 28-7710010 inclusive, specify color "Bark I". When ordering for serial numbers 28-7710011 and up, specify color "Bark II" or black.

When ordering, always specify Part Number, Description, and Serial Number of Aircraft

PIPER PARTS CATALOG

Figure and Index Number	Part Number	Code	NOMENCLATURE	No. Req.	SERIAL NUMBERS AFFECTED
27A-16	63116-097		CARPET - Floor, front left, red	1	28-11040 to 28-11393 inclusive
	67907-002		CARPET - Floor, front left, red	1	28-7110001 to 28-7210033 incl.
	76161-002		CARPET - Floor, front left, red	1	28-7310001 to 28-7410120 incl.
	591-147		CARPET - Floor, front left, red	1	28-7510001 to 28-7610206 incl.
	63116-098		CARPET - Floor, front right, red	1	28-11040 to 28-11393 inclusive
	67907-003		CARPET - Floor, front right, red	1	28-7110001 to 28-7210033 incl.
	76161-003		CARPET - Floor, front right, red	1	28-7310001 to 28-7410120 incl.
	591-152		CARPET - Floor, front right, red	1	28-7510001 to 28-7610206 incl.
	63116-037		CARPET - Floor, front left, brown	1	28-11040 to 28-11393 inclusive
	63116-038		CARPET - Floor, front right, brown	1	28-11040 to 28-11393 inclusive
	63116-052		CARPET - Floor, front left, blue	1	28-11040 to 28-11393 inclusive
	67907-006		CARPET - Floor, front left, blue	1	28-7110001 to 28-7210033 incl.
	76161-006		CARPET - Floor, front left, blue	1	28-7310001 to 28-7410120 incl.
	591-149		CARPET - Floor, front left, blue	1	28-7510001 to 28-7610206 incl.
	63116-053		CARPET - Floor, front right, blue	1	28-11040 to 28-11393 inclusive
	67907-007		CARPET - Floor, front right, blue	1	28-7110001 to 28-7210033 incl.
	76161-007		CARPET - Floor, front right, blue	1	28-7310001 to 28-7410120 incl.
	591-154		CARPET - Floor, front right, blue	1	28-7510001 to 28-7610206 incl.
	63116-136		CARPET - Floor, front left, black	1	28-11040 to 28-11393 inclusive
	67907-004		CARPET - Floor, front left, black	1	28-7110001 to 28-7210033 incl.
	76161-004		CARPET - Floor, front left, black	1	28-7310001 to 28-7410120 incl.
	591-148		CARPET - Floor, front left, black	1	28-7510001 to 28-7610206 incl.
	63116-137		CARPET - Floor, front right, black	1	28-11040 to 28-11393 inclusive
	67907-005		CARPET - Floor, front right, black	1	28-7110001 to 28-7210033 incl.
	76161-005		CARPET - Floor, front right, black	1	28-7310001 to 28-7410120 incl.
	591-153		CARPET - Floor, front right, black	1	28-7510001 to 28-7610206 incl.
	67907-008		CARPET - Floor, front left, fawn	1	28-7110001 to 28-7210033 incl.
	76161-008		CARPET - Floor, front left, fawn	1	28-7310001 to 28-7410120 incl.
	67907-009		CARPET - Floor, front right, fawn	1	28-7110001 to 28-7210033 incl.
	76161-009		CARPET - Floor, front right, fawn	1	28-7310001 to 28-7410120 incl.
	67907-010		CARPET - Floor, front left, green	1	28-7110001 to 28-7210033 incl.
	76161-010		CARPET - Floor, front left, green	1	28-7310001 to 28-7410120 incl.
	591-151		CARPET - Floor, front left, green	1	28-7510001 to 28-7610206 incl.
	67907-011		CARPET - Floor, front right, green	1	28-7110001 to 28-7210033 incl.
	76161-011		CARPET - Floor, front right, green	1	28-7310001 to 28-7410120 incl.
	591-156		CARPET - Floor, front right, green	1	28-7510001 to 28-7610206 incl.
	591-545		CARPET - Floor, front left, heather brown	1	28-7710001 and up
	591-546		CARPET - Floor, front left, Monaco brown	1	28-7710001 and up
	591-547		CARPET - Floor, front right, heather brown	1	28-7710001 and up
	591-548		CARPET - Floor, front right, Monaco brown	1	28-7710001 and up
	79236-010	B,C	CARPET - Floor front left	1	28-7410001 to 28-7410120 incl.
	591-216	B	CARPET - Floor front left, red	1	28-7510001 to 28-7610206 incl.
	591-218	B	CARPET - Floor, front left, blue	1	28-7510001 to 28-7610206 incl.
	591-217	B	CARPET - Floor, front left, black	1	28-7510001 to 28-7610206 incl.
	591-220	B	CARPET - Floor front left, green	1	28-7510001 to 28-7610206 incl.
	79236-011	B,C	CARPET - Floor front right	1	28-7410001 to 28-7410120 incl.
	591-226	B	CARPET - Floor, front right, red	1	28-7510001 to 28-7610206 incl.
591-228	B	CARPET - Floor, front right, blue	1	28-7510001 to 28-7610206 incl.	
591-227	B	CARPET - Floor, front right, black	1	28-7510001 to 28-7610206 incl.	
591-225	B	CARPET - Floor, front right, green	1	28-7510001 to 28-7610206 incl.	

A - Used on PA-28-235 with serial numbers 28-11040 and up.
 B - Used if sound reduction carpeting is installed.
 C - When ordering, specify color red, blue, fawn, black or green.

When ordering, always specify Part Number, Description, and Serial Number of Aircraft

PIPER PARTS CATALOG

Figure and Index Number	Part Number	Code	NOMENCLATURE	No. Req.	SERIAL NUMBERS AFFECTED	
27A-17	63116-093		CARPET - Floor, Sta. 74 to Sta. 105, outboard, blue	2	28-11040 to 28-11393 incl.	
	63116-006		CARPET - Floor, Sta. 74 to Sta. 105, outboard, blue	2	28-11040 to 28-11393 incl.	
	63116-048		CARPET - Floor, Sta. 74 to Sta. 105, outboard, blue	2	28-11040 to 28-11393 incl.	
	63116-132		CARPET - Floor, Sta. 74 to Sta. 105, outboard, black	2	28-11040 to 28-11393 inclusive	
	67905-002		CARPET - Floor, Sta. 74 to Sta. 105, outboard, red	2	28-7110001 to 28-7410120 incl.	
	67905-004		CARPET - Floor, Sta. 74 to Sta. 105, outboard, blue	2	28-7110001 to 28-7410120 incl.	
	67905-003		CARPET - Floor, Sta. 74 to Sta. 105, outboard, black	2	28-7110001 to 28-7410120 incl.	
	67905-005		CARPET - Floor, Sta. 74 to Sta. 105, outboard, fawn	2	28-7110001 to 28-7410120 incl.	
	67905-006		CARPET - Floor, Sta. 74 to Sta. 105, outboard, green	2	28-7110001 to 28-7410120 incl.	
	591-026		CARPET - Floor, Sta. 74 to Sta. 105, outboard, red	1	28-7510001 to 28-7610206 incl.	
	591-028		CARPET - Floor, Sta. 74 to Sta. 105, outboard, blue	1	28-7510001 to 28-7610206 incl.	
	591-027		CARPET - Floor, Sta. 74 to Sta. 105, outboard, black	1	28-7510001 to 28-7610206 incl.	
	591-030		CARPET - Floor, Sta. 74 to Sta. 105, outboard, green	1	28-7510001 to 28-7610206 incl.	
	591-501		CARPET - Floor, Sta. 74 to Sta. 105, outboard, heather brown	2	28-7710001 and up	
	591-502		CARPET - Floor, Sta. 74 to Sta. 105, outboard, Monaco brown	2	28-7710001 and up	
	79236-016	B,C	CARPET - Floor, Sta. 74 to Sta. 105, outboard	2	28-7410001 to 28-7410120 incl.	
	591-275	B	CARPET - Floor, Sta. 74 to Sta. 105, outboard, red	1	28-7510001 to 28-7610206 incl.	
	591-277	B	CARPET - Floor, Sta. 74 to Sta. 105, outboard, blue	1	28-7510001 to 28-7610206 incl.	
	591-276	B	CARPET - Floor, Sta. 74 to Sta. 105, outboard, black	1	28-7510001 to 28-7610206 incl.	
	591-279	B	CARPET - Floor, Sta. 74 to Sta. 105, outboard, green	1	28-7510001 to 28-7610206 incl.	
	-18	63116-094		CARPET - Floor, Sta. 74 to Sta. 105, center, red	2	28-11040 to 28-11393 inclusive
		63116-004		CARPET - Floor, Sta. 74 to Sta. 105, center, brown	2	28-11040 to 28-11393 inclusive
		63116-049		CARPET - Floor, Sta. 74 to Sta. 105, center, blue	2	28-11040 to 28-11393 inclusive
		63116-133		CARPET - Floor, Sta. 74 to Sta. 105, center, black	2	28-11040 to 28-11393 incl.
		67906-002		CARPET - Floor, Sta. 74 to Sta. 105, center, red	2	28-7110001 to 28-7410120 incl.
		67906-004		CARPET - Floor, Sta. 74 to Sta. 105, center, blue	2	28-7110001 to 28-7410120 incl.
		67906-003		CARPET - Floor, Sta. 74 to Sta. 105, center, black	2	28-7110001 to 28-7410120 incl.
		67906-005		CARPET - Floor, Sta. 74 to Sta. 105, center, fawn	2	28-7110001 to 28-7410120 incl.
		67906-006		CARPET - Floor, Sta. 74 to Sta. 105, center, green	2	28-7110001 to 28-7410120 incl.
		591-031		CARPET - Floor, Sta. 74 to Sta. 105, center, red	2	28-7510001 to 28-7610206 incl.
		591-033		CARPET - Floor, Sta. 74 to Sta. 105, center, blue	2	28-7510001 to 28-7610206 incl.
		591-032		CARPET - Floor, Sta. 74 to Sta. 105, center, black	2	28-7510001 to 28-7610206 incl.
		591-035		CARPET - Floor, Sta. 74 to Sta. 105, center, green	2	28-7510001 to 28-7610206 incl.
591-503			CARPET - Floor, Sta. 74 to Sta. 105, center, heather brown	2	28-7710001 and up	
591-504			CARPET - Floor, Sta. 74 to Sta. 105, center, Monaco brown	2	28-7710001 and up	
79236-005		B,C	CARPET - Floor, Sta. 74 to Sta. 105, center	2	28-7410001 to 28-7410120 incl.	
591-182		B	CARPET - Floor, Sta. 74 to Sta. 105, center, red	2	28-7510001 to 28-7610206 incl.	
591-184		B	CARPET - Floor, Sta. 74 to Sta. 105, center, blue	2	28-7510001 to 28-7610206 incl.	
591-183		B	CARPET - Floor, Sta. 74 to Sta. 105, center, black	2	28-7510001 to 28-7610206 incl.	
591-186		B	CARPET - Floor, Sta. 74 to Sta. 105, center, green	2	28-7510001 to 28-7610206 incl.	

A - Used on PA-28-235 with serial numbers 28-11040 and up.
 B - Used if sound reduction carpeting is installed.
 C - When ordering, specify color red, blue, fawn, black or green.

When ordering, always specify Part Number, Description, and Serial Number of Aircraft

PIPER PARTS CATALOG

Figure and Index Number	Part Number	Code	NOMENCLATURE	No. Req.	SERIAL NUMBERS AFFECTED	
27A-19	63116-095		CARPET - Floor, Sta. 74 to Sta. 105, inboard, red	2	28-11040 to 28-11393 inclusive	
	63116-019		CARPET - Floor, Sta. 74 to Sta. 105, inboard, brown	2	28-11040 to 28-11393 inclusive	
	63116-050		CARPET - Floor, Sta. 74 to Sta. 105, inboard, blue	2	28-11040 to 28-11393 inclusive	
	63116-134		CARPET - Floor, Sta. 74 to Sta. 105, inboard, black	2	28-11040 to 28-11393 inclusive	
	76199-002		CARPET - Floor, Sta. 74 to Sta. 105, inboard, left, red	1	28-7110001 to 28-7410120 incl.	
	76199-006		CARPET - Floor, Sta. 74 to Sta. 105, inboard, left, blue	1	28-7110001 to 28-7410120 incl.	
	76199-004		CARPET - Floor, Sta. 74 to Sta. 105, inboard, left, black	1	28-7110001 to 28-7410120 incl.	
	76199-008		CARPET - Floor, Sta. 74 to Sta. 105, inboard, left, fawn	1	28-7110001 to 28-7410120 incl.	
	76199-010		CARPET - Floor, Sta. 74 to Sta. 105, inboard, left, green	1	28-7110001 to 28-7410120 incl.	
	591-157		CARPET - Floor, Sta. 74 to Sta. 105, inboard, left, red	1	28-7510001 to 28-7610206 incl.	
	591-159		CARPET - Floor, Sta. 74 to Sta. 105, inboard, left, blue	1	28-7510001 to 28-7610206 incl.	
	591-158		CARPET - Floor, Sta. 74 to Sta. 105, inboard, left, black	1	28-7510001 to 28-7610206 incl.	
	591-161		CARPET - Floor, Sta. 74 to Sta. 105, inboard, left, green	1	28-7510001 to 28-7610206 incl.	
	591-549		CARPET - Floor, Sta. 74 to Sta. 105, inboard, left, heather brown	1	28-7710001 and up	
	591-550		CARPET - Floor, Sta. 74 to Sta. 105, inboard, left, Monaco brown	1	28-7710001 and up	
	76199-003		CARPET - Floor, Sta. 74 to Sta. 105, inboard, right, red	1	28-7110001 to 28-7410120 incl.	
	76199-007		CARPET - Floor, Sta. 74 to Sta. 105, inboard, right, blue	1	28-7110001 to 28-7410120 incl.	
	76199-005		CARPET - Floor, Sta. 74 to Sta. 105, inboard, right, black	1	28-7110001 to 28-7410120 incl.	
	76199-009		CARPET - Floor, Sta. 74 to Sta. 105, inboard, right, fawn	1	28-7110001 to 28-7410120 incl.	
	76199-011		CARPET - Floor, Sta. 74 to Sta. 105, inboard, right, green	1	28-7110001 to 28-7410120 incl.	
	591-162		CARPET - Floor, Sta. 74 to Sta. 105, inboard, right, red	1	28-7510001 to 28-7610206 incl.	
	591-164		CARPET - Floor, Sta. 74 to Sta. 105, inboard, right, blue	1	28-7510001 to 28-7610206 incl.	
	591-163		CARPET - Floor, Sta. 74 to Sta. 105, inboard, right, black	1	28-7510001 to 28-7610206 incl.	
	591-166		CARPET - Floor, Sta. 74 to Sta. 105, inboard, right, green	1	28-7510001 to 28-7610206 incl.	
	591-551		CARPET - Floor, Sta. 74 to Sta. 105, inboard, right, heather brown	1	28-7710001 and up	
	591-552		CARPET - Floor, Sta. 74 to Sta. 105, inboard, right, Monaco brown	1	28-7710001 and up	
	-20	63116-109		CARPET ASSEMBLY - Tunnel, top, red	1	28-11040 to 28-11393 inclusive
		63116-107		CARPET ASSEMBLY - Tunnel, top, brown	1	28-11040 to 28-11393 inclusive
		63116-108		CARPET ASSEMBLY - Tunnel, top, blue	1	28-11040 to 28-11393 inclusive
		63116-148		CARPET ASSEMBLY - Tunnel, top, black	1	28-11040 to 28-11393 inclusive
		99114-002		CARPET ASSEMBLY - Tunnel, top, red	1	28-7110001 to 28-7210033 incl.
		99114-004		CARPET ASSEMBLY - Tunnel, top, blue	1	28-7110001 to 28-7210033 incl.
99114-003			CARPET ASSEMBLY - Tunnel, top, black	1	28-7110001 to 28-7210033 incl.	
99114-005			CARPET ASSEMBLY - Tunnel, top, fawn	1	28-7110001 to 28-7210033 incl.	
99114-006			CARPET ASSEMBLY - Tunnel, top, green	1	28-7110001 to 28-7210033 incl.	
76160-002			CARPET ASSEMBLY - Tunnel, top, red	1	28-7310001 to 28-7410120 incl.	
76160-004			CARPET ASSEMBLY - Tunnel, top, blue	1	28-7310001 to 28-7410120 incl.	
76160-003			CARPET ASSEMBLY - Tunnel, top, black	1	28-7310001 to 28-7410120 incl.	
76160-005			CARPET ASSEMBLY - Tunnel, top, fawn	1	28-7310001 to 28-7410120 incl.	
76160-006			CARPET ASSEMBLY - Tunnel, top, green	1	28-7310001 to 28-7410120 incl.	
591-142			CARPET ASSEMBLY - Tunnel, top, red	1	28-7510001 to 28-7610206 incl.	
591-144			CARPET ASSEMBLY - Tunnel, top, blue	1	28-7510001 to 28-7610206 incl.	
591-143			CARPET ASSEMBLY - Tunnel, top, black	1	28-7510001 to 28-7610206 incl.	
591-146			CARPET ASSEMBLY - Tunnel, top, green	1	28-7510001 to 28-7610206 incl.	
591-543			CARPET ASSEMBLY - Tunnel, top, heather brown	1	28-7710001 and up	
591-544			CARPET ASSEMBLY - Tunnel, top, Monaco brown	1	28-7710001 and up	

A - Used on PA-28-235 with serial numbers 28-11040.

When ordering, always specify Part Number, Description, and Serial Number of Aircraft

PIPER PARTS CATALOG

Figure and Index Number	Part Number	Code	NOMENCLATURE	No. Req.	SERIAL NUMBERS AFFECTED	
27A-21	63116-096		CARPET - Spar box, left, red	1	28-11040 to 28-11393 inclusive	
	63116-102		CARPET - Spar box, right, red	1	28-11040 to 28-11393 inclusive	
	63116-058		CARPET - Spar box, left, brown	1	28-11040 to 28-11393 inclusive	
	63116-078		CARPET - Spar box, right, brown	1	28-11040 to 28-11393 inclusive	
	63116-051		CARPET - Spar box, left, blue	1	28-11040 to 28-11393 inclusive	
	63116-075		CARPET - Spar box, right, blue	1	28-11040 to 28-11393 inclusive	
	63116-138		CARPET - Spar box, left, black	1	28-11040 to 28-11393 inclusive	
	63116-147		CARPET - Spar box, right, black	1	28-11040 to 28-11393 inclusive	
	67903-003		CARPET - Spar box, complete, red	1	28-7110001 to 28-7410120 incl.	
	67903-007		CARPET - Spar box, complete, blue	1	28-7110001 to 28-7410120 incl.	
	67903-005		CARPET - Spar box, complete, black	1	28-7110001 to 28-7410120 incl.	
	67903-009		CARPET - Spar box, complete, fawn	1	28-7110001 to 28-7410120 incl.	
	67903-011		CARPET - Spar box, complete, green	1	28-7110001 to 28-7410120 incl.	
	591-011		CARPET - Spar box, complete, red	1	28-7510001 to 28-7610206 incl.	
	591-013		CARPET - Spar box, complete, blue	1	28-7510001 to 28-7610206 incl.	
	591-012		CARPET - Spar box, complete, black	1	28-7510001 to 28-7610206 incl.	
	591-015		CARPET - Soar box, complete, green	1	28-7510001 to 28-7610206 incl.	
	591-495		CARPET - Spar box, complete, heather brown	1	28-7710001 and up	
	591-496		CARPET - Spar box, complete, Monaco brown	1	28-7710001 and up	
	-22	63116-103		CARPET ASSEMBLY - Tunnel, side, left, red	1	28-11040 to 28-11393 inclusive
		63116-012		CARPET ASSEMBLY - Tunnel, side, left, brown	1	28-11040 to 28-11393 inclusive
		63116-063		CARPET ASSEMBLY - Tunnel, side, left, blue	1	28-11040 to 28-11393 inclusive
		63116-150		CARPET ASSEMBLY - Tunnel, side, left, black	1	28-11040 to 28-11393 inclusive
		67904-002		CARPET ASSEMBLY - Tunnel, side, left, red	1	28-7110001 to 28-7410120 incl.
		67904-006		CARPET ASSEMBLY - Tunnel, side, left, blue	1	28-7110001 to 28-7410120 incl.
		67904-004		CARPET ASSEMBLY - Tunnel, side, left, black	1	28-7110001 to 28-7410120 incl.
		67904-008		CARPET ASSEMBLY - Tunnel, side, left, fawn	1	28-7110001 to 28-7410120 incl.
		67904-010		CARPET ASSEMBLY - Tunnel, side, left, green	1	28-7110001 to 28-7410120 incl.
		591-016		CARPET ASSEMBLY - Tunnel, side, left, red	1	28-7510001 to 28-7610206 incl.
		591-018		CARPET ASSEMBLY - Tunnel, side, left, blue	1	28-7510001 to 28-7610206 incl.
		591-017		CARPET ASSEMBLY - Tunnel, side, left, black	1	28-7510001 to 28-7610206 incl.
		591-020		CARPET ASSEMBLY - Tunnel, side, left, green	1	28-7510001 to 28-7610206 incl.
		591-497		CARPET ASSEMBLY - Tunnel, side, left, heather brown	1	28-7710001 and up
		591-498		CARPET ASSEMBLY - Tunnel, side, left, Monaco brown	1	28-7710001 and up
63116-105			CARPET ASSEMBLY - Tunnel, side, right, red	1	28-11040 to 28-11393 inclusive	
63116-061			CARPET ASSEMBLY - Tunnel, side, right, brown	1	28-11040 to 28-11393 inclusive	
63116-065			CARPET ASSEMBLY - Tunnel, side, right, blue	1	28-11040 to 28-11393 inclusive	
63116-149			CARPET ASSEMBLY - Tunnel, side, right, black	1	28-11040 to 28-11393 inclusive	
67904-003			CARPET ASSEMBLY - Tunnel, side, right, red	1	28-7110001 to 28-7410120 incl.	
67904-007			CARPET ASSEMBLY - Tunnel, side, right, blue	1	28-7110001 to 28-7410120 incl.	
67904-005			CARPET ASSEMBLY - Tunnel, side, right, black	1	28-7110001 to 28-7410120 incl.	
67904-009			CARPET ASSEMBLY - Tunnel, side, right, fawn	1	28-7110001 to 28-7410120 incl.	
67904-011			CARPET ASSEMBLY - Tunnel, side, right, green	1	28-7110001 to 28-7410120 incl.	
591-021			CARPET ASSEMBLY - Tunnel, side, right, red	1	28-7510001 to 28-7610206 incl.	
591-023			CARPET ASSEMBLY - Tunnel, side, right, blue	1	28-7510001 to 28-7610206 incl.	
591-022			CARPET ASSEMBLY - Tunnel, side, right, black	1	28-7510001 to 28-7610206 incl.	
591-025			CARPET ASSEMBLY - Tunnel, side, right, green	1	28-7510001 to 28-7610206 incl.	
591-499			CARPET ASSEMBLY - Tunnel, side, right, heather brown	1	28-7710001 and up	
591-500			CARPET ASSEMBLY - Tunnel, side, right, Monaco brown	1	28-7710001 and up	
				A - Used on PA-28-235 with serial numbers 28-11040 and up.		

When ordering, always specify Part Number, Description, and Serial Number of Aircraft

PIPER PARTS CATALOG

Figure and Index Number	Part Number	Code	NOMENCLATURE	No. Req.	SERIAL NUMBERS AFFECTED
27A-23	65324-005		CARPET - Baggage compartment, red	1	28-10003 to 28-11227 inclusive
	66802-002		CARPET - Baggage compartment, red	1	28-11228 to 28-11393 inclusive
	66802-006		CARPET - Baggage compartment, red	1	28-7110001 to 28-7410120 incl.
	591-471		CARPET - Baggage compartment, red	1	28-7510001 to 28-7610206 incl.
	65324-003		CARPET - Baggage compartment, brown	1	28-10003 to 28-11227 inclusive
	66802-003		CARPET - Baggage compartment, brown	1	28-11228 to 28-11393 inclusive
	65324-004		CARPET - Baggage compartment, blue	1	28-10003 to 28-11227 inclusive
	66802-004		CARPET - Baggage compartment, blue	1	28-11228 to 28-11393 inclusive
	66802-008		CARPET - Baggage compartment, blue	1	28-7110001 to 28-7410120 incl.
	591-473		CARPET - Baggage compartment, blue	1	28-7510001 to 28-7610206 incl.
	65324-006		CARPET - Baggage compartment, black	1	28-10003 to 28-11227 inclusive
	66802-005		CARPET - Baggage compartment, black	1	28-11228 to 28-11393 inclusive
	66802-007		CARPET - Baggage compartment, black	1	28-7110001 to 28-7410120 incl.
	591-472		CARPET - Baggage compartment, black	1	28-7510001 to 28-7610206 incl.
	66802-009		CARPET - Baggage compartment, fawn	1	28-7110001 to 28-7410120 incl.
	66802-010		CARPET - Baggage compartment, green	1	28-7110001 to 28-7410120 incl.
	591-474		CARPET - Baggage compartment, green	1	28-7510001 to 28-7610206 incl.
	591-491		CARPET - Baggage compartment, heather brown	1	28-7710001 and up
	591-492		CARPET - Baggage compartment, Monaco brown	1	28-7710001 and up
	-24	63185-002		TRIM STRIP - Baggage compartment, rear	1
63185-003			TRIM STRIP - Baggage compartment, front	1	28-10003 to 28-11227 inclusive
63185-006			TRIM STRIP - Baggage compartment	1	28-11228 and up
			A - Used on PA-28-235 with serial numbers 28-11040 and up.		

When ordering, always specify Part Number, Description, and Serial Number of Aircraft

PIPER PARTS CATALOG

Figure and Index Number	Part Number	Code	NOMENCLATURE	No. Req.	SERIAL NUMBERS AFFECTED
27A-25	63259-000	B	PLATE - Striker, baggage door, length 2.64"	1	
	99450-000	B	PLATE - Striker, baggage door, length 3.12"	1	
	63293-002	C	PLATE - Striker, baggage door, length 2.00"	1	
-26	67307-000		HEADLINING - Cockpit (464-350)	1	28-11040 to 28-11300 inclusive
	67307-002		HEADLINING - Cockpit (464-370)	1	28-11301 to 28-7210033 incl.
	67307-003		HEADLINING - Cockpit (464-375)	1	28-7310001 to 28-7310187 incl.
	76462-000		HEADLINING - Cockpit (464-385)	1	28-7410001 and up
-27	65664-000		DOOR ASSEMBLY - Rear bulkhead	1	28-11040 to 28-11300 inclusive
	79445-000		DOOR ASSEMBLY - Rear bulkhead	1	28-11301 and up
-28	65626-000		BULKHEAD ASSEMBLY - Rear cabin	1	28-11040 to 28-11300 incl.
	79836-002	D	BULKHEAD ASSEMBLY - Rear cabin	1	28-11301 and up
	36589-002	E	BULKHEAD ASSEMBLY - Rear cabin	1	28-11301 and up
-29	487-629		* STUD ASSEMBLY - (KM894-1A)	2	
-30	68399-002		PLACARD - Baggage limitation	1	
-31	99818-000		BLANKET ASSEMBLY - Firewall	1	
-32	63142-002		TRIM STRIP - Door frame, bottom rear	1	28-11040 to 28-7610020 incl.
	63142-056		TRIM STRIP - Door frame, bottom rear	1	28-7610021 and up
-33	63142-013		TRIM STRIP - Door frame, top and side rear	1	28-11040 to 28-7210033 incl.
	63142-039		TRIM STRIP - Door frame, side rear	1	28-7310001 to 28-7610020 incl.
	63142-038		TRIM STRIP - Door frame, top rear	1	28-7310001 to 28-7310127 incl.
	63142-047		TRIM STRIP - Door frame, top rear	1	28-7310128 to 28-7610020 incl.
	63142-055		TRIM STRIP - Door frame, top and side rear	1	28-7610021 and up
-34	63142-014		TRIM STRIP - Door frame, front	1	28-11040 to 28-7210033 incl.
	63142-040		TRIM STRIP - Door frame, front	1	28-7310001 to 28-7310127 incl.
	63142-048		TRIM STRIP - Door frame, front	1	28-7310128 to 28-7610020 incl.
	63142-051		TRIM STRIP - Door frame, front	1	28-7610021 and up
-35	63142-008		TRIM STRIP - Headlining	1	28-11040 to 28-7110042 incl.
	63142-036		TRIM STRIP - Headlining	1	28-7310001 to 28-7310187 incl.
-36	63142-027		TRIM STRIP - Headlining	1	28-11040 to 28-7210033 incl.
	63142-042		TRIM STRIP - Headlining	1	28-7310001 to 28-7310187 incl.
-37	63142-026		TRIM STRIP - Headlining, left	1	28-11040 to 28-7210033 incl.
	63142-025		TRIM STRIP - Headlining, right	1	28-11040 to 28-7210033 incl.
	63142-043		TRIM STRIP - Headlining	1	28-7310001 to 28-7310187 incl.
-38	99240-000		RING - Boot attachment	1	28-7110001 and up
-39	63130-002		PLATE - Heel	2	
-40	63116-159		CARPET - Spar box, black	2	28-11040 to 28-11393 inclusive
	63116-160		CARPET - Spar box, brown	2	28-11040 to 28-11393 inclusive
	63116-161		CARPET - Spar box, blue	2	28-11040 to 28-11393 inclusive
	63116-162		CARPET - Spar box, red	2	28-11040 to 28-11393 inclusive
-41	63229-002		SUPPORT ASSEMBLY - Sun visor	1	28-11040 to 28-11300 inclusive
-42	65667-000		GRILL ASSEMBLY - Air exhaust	1	28-11040 to 28-11393 inclusive
-43	65269-002		DOUBLER - Ash tray	2	
-44	65304-000		PANEL - Ash box	3	28-11040 to 28-11300 inclusive
-45	453-141		BOX - Ash	3	28-11040 to 28-11300 inclusive
-46	484-385		RETAINER - Ash box	3	28-11040 to 28-11300 inclusive
-47	65286-005		KNOB - Ash box, red (571-070)	3	28-11040 to 28-11300 inclusive
	65286-007		KNOB - Ash box, brown (571-072)	3	28-11040 to 28-11300 inclusive
	65286-006		KNOB - Ash box, blue (571-071)	3	28-11040 to 28-11300 inclusive
	65286-008		KNOB - Ash box, tan (571-097)	3	28-11040 to 28-11300 inclusive

A - Used on PA-28-235 with serial numbers 28-11040 and up.
 B - Used if baggage door does not have push button latch.
 C - Used if baggage door has push button latch.
 D - Used if air conditioning is not installed.
 E - Used if air conditioning is installed.

When ordering, always specify Part Number, Description, and Serial Number of Aircraft

PIPER PARTS CATALOG

Figure and Index Number	Part Number	Code	NOMENCLATURE	No. Req.	SERIAL NUMBERS AFFECTED
27A-48	68484-000		PAN - Armrest	1	28-11040 to 28-11300 inclusive
-49	68492-002		PAD ASSEMBLY - Armrest, red	1	28-11040 to 28-11300 inclusive
	68492-006		PAD ASSEMBLY - Armrest, brown	1	28-11040 to 28-11300 inclusive
	68492-010		PAD ASSEMBLY - Armrest, blue	1	28-11040 to 28-11300 inclusive
	68492-014		PAD ASSEMBLY - Armrest, beige	1	28-11040 to 28-11300 inclusive
-50	65546-000		SILL - Door	1	28-11040 to 28-7210033 incl.
	76191-000		SILL - Door	1	28-7310001 to 28-7610020 incl.
	76191-002		SILL - Door	1	28-7610021 and up
-51	65672-005		SHIELD - Flap handle cover	1	
-52	65735-019	B	FLANGE - Air vent	4	
	65735-006		FLANGE - Air vent, brown	4	28-11040 to 28-11300 inclusive
	65735-013		FLANGE - Air vent, white	4	28-11301 to 28-7410120 incl.
-53	65735-018	B	CUP - Air vent	4	
	65735-003		CUP - Air vent, brown	4	28-11040 to 28-11300 inclusive
-54	67235-000		GRIP - Handhold	2	28-11040 to 28-7210033 incl.
-55	62353-004		LOOP ASSEMBLY - Assist, white	1	28-11040 to 28-11300 inclusive
	62353-005		LOOP ASSEMBLY - Assist, white	1	28-11301 to 28-7410120 incl.
	79455-000	C	LOOP ASSEMBLY - Assist, white	1	28-7510001 and up
-56	68416-000		VENT ASSEMBLY - Air, forward, left (complete)	1	28-11040 to 28-7210033 incl.
	68416-002		VENT ASSEMBLY - Air, forward, left (complete)	1	28-7310001 and up
	68416-001		VENT ASSEMBLY - Air, forward, right (complete)	1	28-11040 to 28-7210033 incl.
	68416-003		VENT ASSEMBLY - Air, forward, right (complete)	1	28-7310001 and up
-57	68671-000		* VALVE ASSEMBLY - Air vent	1	
-58	68499-004		* SHAFT ASSEMBLY - Air vent valve, left	1	
	68499-005		* SHAFT ASSEMBLY - Air vent valve, right	1	
-59	68584-000		GASKET - Air vent assembly	4	
-60	65564-002		WINDLACING - Door seal, white	1	
	69403-003		WINDLACING - Door seal, white	1	
-61	65219-000		PLACARD - Rudder trim	1	
-62	69243-000		PLACARD - Aircraft limitations	1	28-11040 to 28-11300 inclusive
	66989-000		PLACARD - Aircraft limitations	1	28-11301 and up
-63	63900-044		BUSHING - Sun visor	1	28-11040 to 28-11300 inclusive
-64	99458-000		BAR ASSEMBLY - Tow	1	
-65	66804-000		STRAP ASSEMBLY - Baggage tie down (tip end) black	2	
-66	66805-000		STRAP ASSEMBLY - Baggage tie down (buckle end) black	2	
-67	15086-000		SCREW - Self tapping (4 x 1-1/4) (486-187)	2	
-68	487-629		STUD ASSEMBLY - Coat hanger (KM894-1A)	2	
-69	63163-000		FLOORBOARD - Sta. 74 to Sta. 105, left and right	2	28-11040 to 28-7210033 incl.
	96684-000		FLOORBOARD - Sta. 74 to Sta. 105, left and right	2	28-7310001 and up
-70	63164-000		FLOORBOARD - Front, left	1	28-11040 to 28-7210033 incl.
	76123-000		FLOORBOARD - Front, left	1	28-7310001 to 28-7310187 incl.
	76123-004		FLOORBOARD - Front, left	1	28-7410001 and up
	63164-001		FLOORBOARD - Front, right	1	28-11040 to 28-7210033 incl.
	76123-001		FLOORBOARD - Front, right	1	28-7310001 to 28-7310187 incl.
	76123-005		FLOORBOARD - Front, right	1	28-7410001 and up
			A - Used on PA-28-235 with serial numbers 28-11040 and up.		
			B - When ordering, specify color red, blue/green, gold, black or green.		
			C - No longer available.		

When ordering, always specify Part Number, Description, and Serial Number of Aircraft

PIPER PARTS CATALOG

Figure and Index Number	Part Number	Code	NOMENCLATURE	No. Req.	SERIAL NUMBERS AFFECTED
27A-71	764-114		VISOR ASSEMBLY - Sun	2	28-11040 to 28-11300 inclusive
-72	65866-000		BLADE - Sun visor	2	28-11301 to 28-7610163 incl.
	37915-002		BLADE - Sun visor, pilot	1	28-7610164 and up
	65866-000		BLADE - Sun visor, copilot	1	28-7610164 and up
-73	65865-000		RETAINER - Sun visor	2	28-11301 and up
-74	65867-000		ROD - Sun visor	2	28-11301 and up
-75	65869-000		BEARING - Sun visor	2	28-11301 and up
-76	65870-000		CLIP - Sun visor, upper left and lower right	2	28-11301 and up
-77	65871-000		CLIP - Sun visor, lower left and upper right	2	28-11301 and up
-78	66710-016		HOLDER ASSEMBLY - Armrest	1	
-79	763-003		* BOX ASSEMBLY - Ash tray	1	
-79a	66710-044	B	PAD - Armrest	1	28-11040 to 28-7610206 incl.
	66710-026		PAD - Armrest, white	1	28-11301 to 28-7410120 incl.
	580-731		PAD - Armrest, camel	1	28-7710001 and up
-79b	419-594		SCREW - (AN530-10R36)	2	
-80	489-388		ASH RECEIVER - (Complete) Chrome (2A20580)	2	28-11301 and up
-81	99141-003		PLATE - Seat attachment, forward	4	28-7110001 and up
-82	99140-000		PLATE - Seat attachment, forward	4	28-7110001 and up
-83	99139-000		PLATE - Seat attachment, aft	4	28-7110001 to 28-7510016 incl.
	79440-000		RETAINER ASSEMBLY - Seat attachment, aft	4	28-7510017 to 28-7710006 incl.
	79781-002		PLATE ASSEMBLY - Seat attachment, aft	4	28-7710007 and up
-83a	68094-003		PLATE - Trim, aft	4	28-7710007 and up
-84	99142-000		CLIP - Seat attachment, aft	6	28-7110001 to 28-7510016 incl.
-85	68551-000		SLEEVE - Trim	2	28-7110001 to 28-7110042 incl.
-86	99252-002		COVER ASSEMBLY - Exhaust vent, red	2	28-7110001 to 28-7410120 incl.
	99252-003		COVER ASSEMBLY - Exhaust vent, blue	2	28-7110001 to 28-7410120 incl.
	99252-004		COVER ASSEMBLY - Exhaust vent, tan	2	28-7110001 to 28-7410120 incl.
	99252-005		COVER ASSEMBLY - Exhaust vent, black	2	28-7110001 to 28-7410120 incl.
	99252-007		COVER ASSEMBLY - Exhaust vent, green	2	28-7110001 to 28-7410120 incl.
	99252-009		COVER ASSEMBLY - Exhaust vent, blue/green	2	28-7110001 to 28-7410120 incl.
	99252-010	B	COVER ASSEMBLY - Exhaust vent	2	28-7510001 and up
-87	99245-002		CARPET - Floor, rear, red	1	28-7110001 to 28-7410120 incl.
	99245-005		CARPET - Floor, rear, blue	1	28-7110001 to 28-7410120 incl.
	99245-006		CARPET - Floor, rear, fawn	1	28-7110001 to 28-7410120 incl.
	99245-004		CARPET - Floor, rear, black	1	28-7110001 to 28-7410120 incl.
	99245-007		CARPET - Floor, rear, green	1	28-7110001 to 28-7410120 incl.
	591-399		CARPET - Floor, rear, red	1	28-7510001 to 28-7610206 incl.
	591-401		CARPET - Floor, rear, blue	1	28-7510001 to 28-7610206 incl.
	591-400		CARPET - Floor, rear, black	1	28-7510001 to 28-7610206 incl.
	591-403		CARPET - Floor, rear, green	1	28-7510001 to 28-7610206 incl.
	591-579		CARPET - Floor, rear, heather brown	1	28-7710001 and up
	591-580		CARPET - Floor, rear, Monaco brown	1	28-7710001 and up
-88	99116-000		PANEL - Floor	1	28-7110001 to 28-7110042 incl.
	99116-002		PANEL - Floor	1	28-7210001 to 28-7510016 incl.
	99116-003		PANEL - Floor	1	28-7610017 to 28-7710006 incl.
	79828-003		PANEL - Floor	1	28-7710007 and up
-89	414-769		SCREW - (MS24693-553)	45	28-7110001 and up
	603-800		TEE NUT	45	28-7110001 and up
-90	414-761		SCREW - (MS24693-S48)	3	28-7110001 and up
	603-800		TEE NUT	3	28-7110001 and up
-91	99143-000		STRIP - Trim	1	28-7110001 and up

A - Used on PA-28-235 with serial numbers 28-11040 and up.
 B - When ordering, specify color red, blue/green, gold, black or green.

When ordering, always specify Part Number, Description, and Serial Number of Aircraft

PIPER PARTS CATALOG

Figure and Index Number	Part Number	Code	NOMENCLATURE	No. Req.	SERIAL NUMBERS AFFECTED
27A-92	78112-002		COVER - Cowl deck	1	28-7110001 to 28-7210033 incl.
	78112-003		COVER - Cowl deck	1	28-7310001 to 28-7410120 incl.
	78112-005		COVER - Cowl deck	1	28-7510001 and up
-93	99967-000		RETAINER - Glare shield, left	1	28-7310001 and up
	99968-000		RETAINER - Glare shield, right	1	28-7310001 and up
-94	76221-000		CLIP - Shoulder harness retaining	1	28-7310072 and up
-95	79125-000		CAP - Trim, left	1	28-7310001 and up
	79125-001		CAP - Trim, right	1	28-7310001 and up
-96	99991-000		COVER - Transponder antenna	1	28-7210004 to 28-7310001 incl.
-97	69652-011	D	COVER ASSEMBLY - Fuel selector control, lower, brown	1	28-11040 to 28-11300 inclusive
	69652-006	D	COVER ASSEMBLY - Fuel selector control, lower, red	1	28-11040 to 28-11300 inclusive
	69652-007	D	COVER ASSEMBLY - Fuel selector control, lower, blue	1	28-11040 to 28-11300 inclusive
	69652-005	D	COVER ASSEMBLY - Fuel selector control, lower, tan	1	28-11040 to 28-11300 inclusive
	69652-008	D	COVER ASSEMBLY - Fuel selector control, lower, black	1	28-11301 to 28-7310125 incl.
	69442-002	B	COVER ASSEMBLY - Fuel selector control, lower, red	1	28-11301 to 28-7310125 incl.
	69442-004	B	COVER ASSEMBLY - Fuel selector control, lower, tan	1	28-11301 to 28-7310125 incl.
	69442-006	B	COVER ASSEMBLY - Fuel selector control, lower, green	1	28-11301 to 28-7310125 incl.
	69442-003	C	COVER ASSEMBLY - Fuel selector control, lower, blue	1	28-11301 to 28-11393 inclusive
	69442-005	C	COVER ASSEMBLY - Fuel selector control, lower, black	1	28-11301 to 28-7310125 incl.
	69442-007	B	COVER ASSEMBLY - Fuel selector control, lower, white	1	28-11301 to 28-7310125 incl.
	69442-009	B	COVER ASSEMBLY - Fuel selector control, lower, blue/green	1	28-7110001 to 28-7310125 incl.
	69652-012	E	COVER ASSEMBLY - Fuel selector control, lower	1	28-7310126 and up
	69652-004		COVER ASSEMBLY - Fuel selector control, lower, white	1	28-7310126 to 28-7410120 incl.
-98	79456-000		CAP - Assist strap	1	28-7510001 and up
-99	79404-000		COVER - Trim, radio cooling	1	28-7510001 and up
-100	415-377		SCREW - (MS51957-28)	4	
	477-696		NUT - Dome (8061-NP)	4	
-101	515-710		SCREW	2	28-7310001 and up
	690-640		WASHER - (NAS1149FN632P)	2	28-7310001 and up
	404-528		NUT - (MS21042-06)	2	28-7310001 and up
-102	36588-004		SCREW AND POST ASSEMBLY - Retainer	1	28-11301 and up
-103	484-691		RIVET - Plastic (201-120751-00-0103)	2	28-11301 and up

- A - Used on PA-28-235 with serial numbers 28-11040 and up.
- B - No longer available. Order Cover Assembly for serial numbers 28-7310126 and up if Fuel Selector Control Modification Kit has been installed per Service Bulletin 376. If Fuel Selector Control Modification Kit has not been installed per Piper Service Bulletin 376 order Kit 760-683 for serial numbers 28-11040 to 28-11300 inclusive or Kit 760-684 for serial numbers 28-11301 to 28-7310083 inclusive.
- C - No longer available. Order Cover Assembly Part No. 69652-007 blue or 69652-008 black if Fuel Selector Control Modification Kit has been installed per Service Bulletin 376. If Fuel Selector Control Modification Kit has not been installed per Service Bulletin 376 order Kit 760-683 for serial numbers 28-11040 to 28-11300 inclusive or Kit 760-684 for serial numbers 28-11301 to 28-7310083 inclusive.
- D - Used if Fuel Selector Control Modification Kit has been installed per Piper Service Bulletin 376.
- E - When ordering, specify color red, blue/green, gold, black, green or bark. Specify color "Bark I" for serial numbers 28-7710001 to 28-7710010 inclusive. Specify color "Bark II" for serial numbers 28-7710011 and up.

When ordering, always specify Part Number, Description, and Serial Number of Aircraft

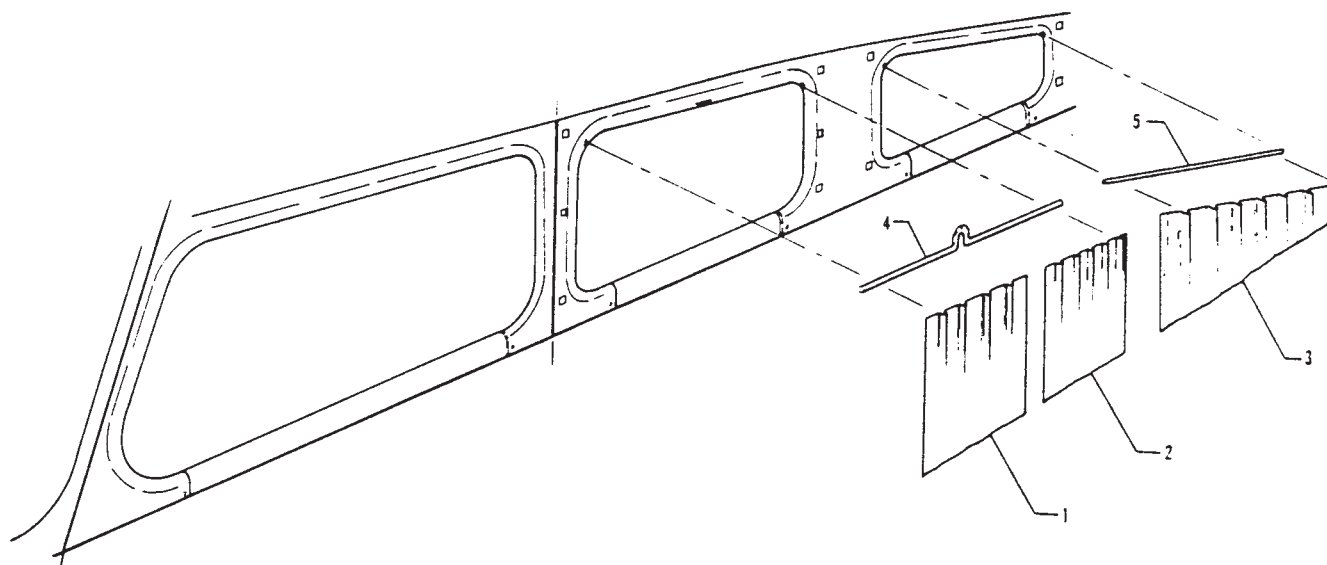


Figure 27B. Window Curtains Installation
(PA-28-235 - Serial Nos. 28-7710001 and up)
(PA-28R-200 - Serial Nos. 28R-7635504 and up)

THIS PAGE INTENTIONALLY LEFT BLANK

PIPER PARTS CATALOG

Figure and Index Number	Part Number	Code	NOMENCLATURE	No. Req.	SERIAL NUMBERS AFFECTED
27B-	79721		DRAWING - Curtains and Rod Installation		
-1	79721-021		CURTAIN ASSEMBLY - Window, center front, left	1	
	79721-020		CURTAIN ASSEMBLY - Window, center front, right	1	
-2	79721-023		CURTAIN ASSEMBLY - Window, center rear, left	1	
	79721-022		CURTAIN ASSEMBLY - Window, center rear, right	1	
-3	79721-025		CURTAIN ASSEMBLY - Window, rear, left	1	
	79721-024		CURTAIN ASSEMBLY - Window, rear, right	1	
-4	79702-004		ROD - Window curtain, center, right	1	
	79702-009		ROD - Window curtain, center, left	1	
-5	79702-007		ROD - Window curtain, rear	2	
			A - Used on PA-28-235 with serial number 28-7710001 and up, and PA-28R-200 with serial numbers 28R-7635504 and up.		

When ordering, always specify Part Number, Description, and Serial Number of Aircraft

THIS PAGE INTENTIONALLY LEFT BLANK

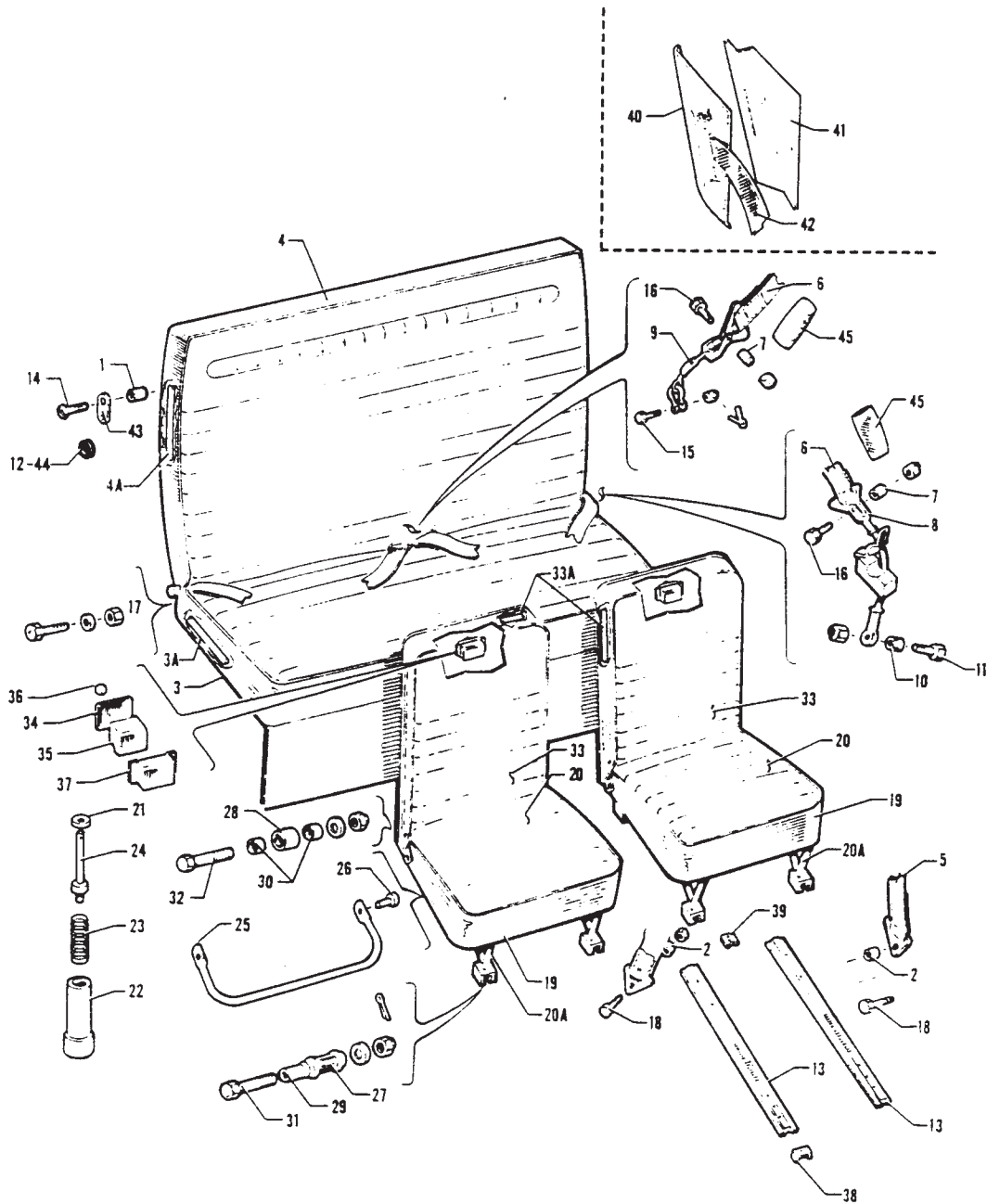


Figure 28. Seats Installation
 (PA-28-140 - Serial Nos. 28-20002 to 28-26956 inclusive)
 (PA-28-150-160-180 - Serial Nos. 28-1 to 28-5869 inclusive)
 (PA-28R-180 - Serial Nos. 28R-30005 to 28R-30481 inclusive, 28R-30483 to 28R-31279 inclusive)
 (PA-28R-200 - Serial Nos. 28R-30482, 28R-35001 to 28R-35830 inclusive)
 (PA-28-235 - Serial Nos. 28-10003 to 28-11393 inclusive)

THIS PAGE INTENTIONALLY LEFT BLANK

PIPER PARTS CATALOG

Figure and Index Number	Part Number	Code	NOMENCLATURE	No. Req.	SERIAL NUMBERS AFFECTED
28-	62908 65078 65705	D E C	DRAWING - Seats Installation DRAWING - Seats Installation DRAWING - Seats Installation		28-10720 to 28-11039 inclusive
-1	63900-007		BUSHING - Rear seat, back	2	
-2	63900-053		BUSHING - Front seat safety belt attachment	4	
-3	62906-000	K	CUSHION ASSEMBLY - Rear seat bottom, brown	1	28-1 to 28-130 inclusive
	62906-003	K	CUSHION ASSEMBLY - Rear seat bottom, brown	1	28-131 to 28-670 inclusive
	63181-000	D,F	CUSHION ASSEMBLY - Rear seat bottom	1	
	65074-000	F,H	CUSHION ASSEMBLY - Rear seat bottom	1	28-1411 to 28-1760 inclusive
	65074-003	G,K	CUSHION ASSEMBLY - Rear seat bottom	1	28-1761 to 28-3109 inclusive
	65074-004	G,K	CUSHION ASSEMBLY - Rear seat bottom	1	28-3110 to 28-3442 inclusive
	65671-002	G,K	CUSHION ASSEMBLY - Rear seat bottom	1	28-3443 to 28-4379 inclusive
	65074-002	C,G	CUSHION ASSEMBLY - Rear seat bottom	1	28-10003 to 28-10719 inclusive
	65671-000	C,G	CUSHION ASSEMBLY - Rear seat bottom	1	28-10720 to 28-11039 inclusive
	65671-004	B,C	CUSHION ASSEMBLY - Rear seat bottom	1	28-11040 to 28-11300 inclusive
	67837-003	C,J	CUSHION ASSEMBLY - Rear seat bottom	1	28-11301 to 28-11393 inclusive
<p>A - Used on PA-28-150, PA-28-160 and PA-28-180 with serial numbers 28-1 to 28-5869 inclusive, PA-28-140 with serial numbers 28-20002 to 28-26956 inclusive, PA-28R-180 with serial numbers 28R-30005 to 28R-30481 inclusive, 28R-30483 to 28R-31279 inclusive, PA-28R-200 with serial numbers 28R-30482, 28R-35001 to 28R-35830 inclusive, and PA-28-235 with serial numbers 28-10003 to 28-11393 inclusive.</p> <p>B - When ordering, specify color red, blue, brown or beige.</p> <p>C - Used on PA-28-235 airplanes only.</p> <p>D - Used on PA-28-150 and PA-28-160 with serial numbers 28-1 to 28-1760 inclusive, and PA-28-180 with serial numbers 28-671 to 28-1410 inclusive.</p> <p>E - Used on PA-28-150, PA-28-160 and PA-28-180 with serial numbers 28-1761 to 28-5869 inclusive, PA-28-140 with serial numbers 28-20002 to 28-26956 inclusive, PA-28-235 with serial numbers 28-10003 to 28-10719 inclusive, 28-11040 to 28-11393 inclusive, PA-28R-180 with serial number 28R-30005 to 28R-31279 inclusive, and PA-28R-200 with serial numbers 28R-30482, 28R-35001 to 28R-35830 inclusive.</p> <p>F - When ordering, specify color brown or gray.</p> <p>G - When ordering, specify color red, blue or brown.</p> <p>H - Used on PA-28-180 airplanes only.</p> <p>J - When ordering, specify color red, green, blue, beige, black or white.</p> <p>K - Used on PA-28-150, PA-28-160 and PA-28-180 only.</p>					

When ordering, always specify Part Number, Description, and Serial Number of Aircraft

PIPER PARTS CATALOG

Figure and Index Number	Part Number	Code	NOMENCLATURE	No. Req.	SERIAL NUMBERS AFFECTED	
28 -3 -3a -4	65671-003	B,H	CUSHION ASSEMBLY - Rear seat bottom	1		
	67837-000	K,L	CUSHION ASSEMBLY - Rear seat bottom	1		
	67837-002	M,N	CUSHION ASSEMBLY - Rear seat bottom	1		
	62900-007	D	* FRAME ASSEMBLY - Rear seat bottom	1	28-1 to 28-670 inclusive	
	62916-000	O	* FRAME ASSEMBLY - Rear seat bottom	1		
	65066-000	E	* FRAME ASSEMBLY - Rear seat bottom	1		
	62907-000	D	CUSHION ASSEMBLY - Rear seat back, brown	1	28-1 to 28-130 inclusive	
	62907-003	D	CUSHION ASSEMBLY - Rear seat back, brown	1	28-131 to 28-670 incl.	
	63182-000	D,F	CUSHION ASSEMBLY - Rear seat back	1	28-671 to 28-1760 inclusive	
	63182-002	D,G	CUSHION ASSEMBLY - Rear seat back	1	28-1761 to 28-3109 inclusive	
	63182-003	D,G	CUSHION ASSEMBLY - Rear seat back	1	28-3110 to 28-3442 inclusive	
	65704-000	D,G	CUSHION ASSEMBLY - Rear seat back	1	28-3443 to 28-4379 inclusive	
	63182-002	C,G	CUSHION ASSEMBLY - Rear seat back	1	28-10003 to 28-10719 incl.	
	65704-000	C,G	CUSHION ASSEMBLY - Rear seat back	1	28-10720 to 28-11039 incl.	
	65704-002	B,J	CUSHION ASSEMBLY - Rear seat back	1		
				<p>A - Used on PA-28-150, PA-28-160 and PA-28-180 with serial numbers 28-1 to 28-5869 inclusive, PA-28-140 with serial numbers 28-20002 to 28-26956 inclusive, PA-28R-180 with serial numbers 28R-30005 to 28R-30481 inclusive, 28R-30483 to 28R-31279 inclusive, PA-28R-200 with serial numbers 28R-30482, 28R-35001 to 28R-35830 inclusive, and PA-28-235 with serial numbers 28-1003 to 28-11393 inclusive.</p> <p>B - When ordering, specify color red, blue, brown or beige.</p> <p>C - Used on PA-28-235 airplanes only.</p> <p>D - Used on PA-28-150, PA-28-160 and PA-28-180 only.</p> <p>E - Used on PA-28-150, PA-28-160 and PA-28-180 with serial numbers 28-1411 to 28-5869 inclusive, PA-28-235 with serial number 28-10003 to 28-11393 inclusive, PA-28R-180 with serial numbers 28R-30005 to 28R-30481 inclusive, 28R-30483 to 28R-31279 inclusive, and PA-28R-200 with serial numbers 28R-30482, 28R-35001 to 28R-35830 inclusive.</p> <p>F - When ordering, specify color brown or gray.</p> <p>G - When ordering, specify color red, blue or brown.</p> <p>H - Used on PA-28-180 with serial numbers 28-4380 to 28-5600 inclusive, and PA-28R-180 with serial numbers 28R-30005 to 28R-30481 inclusive, 28R-30483 to 28R-31250 inclusive.</p> <p>J - Used on PA-28-180 with serial numbers 28-4380 to 28-5600 inclusive, PA-28R-180 with serial numbers 28R-30005 to 28R-30481 inclusive, 28R-30483 to 28R-31250 inclusive, and PA-28-235 with serial numbers 28-11040 to 28-11300 inclusive.</p> <p>K - Used on PA-28R-200 with serial numbers 28R-30482, 28R-35001 to 28R-35600 inclusive.</p> <p>L - When ordering, specify color red, brown, blue, beige, black or white.</p> <p>M - Used on PA-28-180 with serial numbers 28-5601 to 28-5869 inclusive, PA-28R-180 with serial numbers 28R-31251 to 28R-31279 inclusive, and PA-28R-200 with serial numbers 28R-35601 to 28R-35830 inclusive.</p> <p>N - When ordering, specify color red, green, blue, beige, black or white.</p> <p>O - Used on PA-28-150 and PA-28-160 with serial numbers 28-1 to 28-1760 inclusive, and PA-28-180 with serial numbers 28-671 to 28-1410 inclusive.</p>		

When ordering, always specify Part Number, Description, and Serial Number of Aircraft

PIPER PARTS CATALOG

Figure and Index Number	Part Number	Code	NOMENCLATURE	No. Req.	SERIAL NUMBERS AFFECTED
28 -4 -4a	67838-000	B,F	CUSHION ASSEMBLY - Rear seat back	1	28-11301 to 28-11393 inclusive 28-1 to 28-670 inclusive
	67838-002	C,E	CUSHION ASSEMBLY - Rear seat back	1	
	67838-002	E,H	CUSHION ASSEMBLY - Rear seat back	1	
	62905-012	D	* FRAME ASSEMBLY - Rear seat back	1	
	62914-000	L	* FRAME ASSEMBLY - Rear seat back	1	
	65700-000	G	* FRAME ASSEMBLY - Rear seat back	1	
	65700-006	B,J	* FRAME ASSEMBLY - Rear seat back	1	
	65700-007	K	* FRAME ASSEMBLY - Rear seat back	1	
<p>A - Used on PA-28-150, PA-28-160 and PA-28-180 with serial numbers 28-1 to 28-5869 inclusive, PA-28-140 with serial numbers 28-20002 to 28-26956 inclusive, PA-28R-180 with serial numbers 28R-30005 to 28R-30481 inclusive, 28R-30483 to 28R-31279 inclusive, PA-28R-200 with serial number 28R-30482, 28R-35001 to 28R-35830 inclusive, and PA-28-235 with serial numbers 28-10003 to 28-11393 inclusive.</p> <p>B - Used on PA-28R-200 with serial numbers 28R-30482, 28R-35001 to 28R-35600 inclusive.</p> <p>C - Used on PA-28-235 airplanes only.</p> <p>D - Used on PA-28-150, PA-28-160 and PA-28-180 only.</p> <p>E - When ordering, specify color red, green, blue, beige, black or white.</p> <p>F - When ordering, specify color red, brown, blue, beige, black or white.</p> <p>G - Used on PA-28-150, PA-28-160 and PA-28-180 with serial numbers 28-3443 to 28-4379 inclusive, and PA-28-235 with serial number 28-10720 to 28-11039 inclusive.</p> <p>H - Used on PA-28-180 with serial numbers 28-5601 to 28-5869 inclusive, PA-28R-180 with serial number 28R-31251 to 28R-31279 inclusive, and PA-28R-200 with serial numbers 28R-35601 to 28R-35830 inclusive.</p> <p>J - Used on PA-28-180 with serial numbers 28-4380 to 28-5600 inclusive, PA-28R-180 with serial numbers 28R-30005 to 28R-30481 inclusive, 28R-30483 to 28R-31250 inclusive, and PA-28-235 with serial numbers 28-11040 to 28-11300 inclusive.</p> <p>K - Used on PA-28-180 with serial numbers 28-5601 to 28-5869 inclusive, PA-28-235 with serial numbers 28-11301 to 28-11393 inclusive, PA-28R-180 with serial numbers 28R-31251 to 28R-31279 inclusive, and PA-28R-200 with serial numbers 28R-35601 to 28R-35830 inclusive.</p> <p>L - Used on PA-28-150, PA-28-160 and PA-28-180 with serial numbers 28-671 to 28-3442 inclusive, and PA-28-235 with serial numbers 28-10003 to 28-10719 inclusive.</p>					

When ordering, always specify Part Number, Description, and Serial Number of Aircraft

PIPER PARTS CATALOG

Figure and Index Number	Part Number	Code	NOMENCLATURE	No. Req.	SERIAL NUMBERS AFFECTED
28 -5	551-368	B,C	BELT ASSEMBLY - Safety, front (0108168-11), black	2	
	551-435		BELT ASSEMBLY - Safety, front	2	
-6	551-374	E	BELT ASSEMBLY - Safety, rear, black	2	
-7	14843-051		BUSHING - Rear seat safety belt attachment	4	
-8	20868-000		CABLE ASSEMBLY - Safety belt attachment, rear side	2	
-9	65774-000		CABLE ASSEMBLY - Safety belt attachment, rear center	1	
-10	63900-024		BUSHING - Safety belt, rear side	2	
-11	401-269		BOLT - (AN3-10A)	2	
	404-526		NUT - (MS21042-3)	2	
-12	434-128	D,	GROMMET - Rear seat back support (AN931-4-7)	2	
-13	62557-004		TRACK - Seat	4	
<p>A - Used on PA-28-150, PA-28-160 and PA-28-180 with serial numbers 28-1 to 28-5869 inclusive, PA-28-140 with serial numbers 28-20002 to 28-26956 inclusive, PA-28R-180 with serial numbers 28R-30005 to 28R-30481 inclusive, 28R-30483 to 28R-31279 inclusive, PA-28R-200 with serial numbers 28R-30482, 28R-35001 to 28R-35830 inclusive, and PA-28-235 with serial numbers 28-10003 to 28-11393 inclusive.</p> <p>B - Used if shoulder harness has been installed.</p> <p>C - Ascertain vendor's part number on lap belt. If 0108168-11 does not appear, also order matching Shoulder Belt Assembly, Part Number 484-224.</p> <p>D - Used on PA-28-150, PA-28-160 and PA-28-180 with serial numbers 28-1 to 28-5600 inclusive, PA-28R-180 with serial numbers 28R-30005 to 28R-30481 inclusive, 28R-30483 to 28R-31250 inclusive, PA-28R-200 with serial numbers 28R-30482, 28R-35001 to 28R-35600 inclusive, and PA-28-235 with serial numbers 28-10003 to 28-11300 inclusive.</p> <p>E - Reference the latest revision of Piper Service Bulletin 393 for Rear Seat Belt Attachment Modification for PA-28-140/180/235 and PA-28R-200 aircraft using Kit P/N 760-794.</p>					

When ordering, always specify Part Number, Description, and Serial Number of Aircraft

PIPER PARTS CATALOG

Figure and Index Number	Part Number	Code	NOMENCLATURE	No. Req.	SERIAL NUMBERS AFFECTED
28 -14	400-903		BOLT - (AN24-13A)	2	
	400-009		BOLT - (AN4-14A)	1	
-15	690-611		WASHER - (NAS1149F0463P)	1	
	404-530		NUT - (MS21042-4)	1	
-16	400-440		BOLT - (AN3-6A)	4	
	404-526		NUT - (MS21042-3)	4	
-17	401-266		BOLT - (AN3-6A)	4	
	690-612		WASHER - (NAS1149F0363P)	4	
-18	404-156		NUT - (MS21083N3)	4	
	401-265		BOLT - (AN3-7A)	4	
-19	63139-005	C	CUSHION ASSEMBLY - Right front seat, brown	1	28-1 to 28-130 inclusive
	63139-010	C	CUSHION ASSEMBLY - Right front seat, brown	1	28-131 to 28-470 inclusive
	63139-004	C	CUSHION ASSEMBLY - Left front seat, brown	1	28-1 to 28-130 inclusive
	63139-009	C	CUSHION ASSEMBLY - Left front seat, brown	1	28-131 to 28-670 inclusive
	63180-000	E,F	CUSHION ASSEMBLY - Front seat	2	28-671 to 28-1760 inclusive
	63068-000	B,F	CUSHION ASSEMBLY - Front seat	2	28-671 to 28-1760 inclusive
	63068-004	C,G	CUSHION ASSEMBLY - Front seat	2	28-176 to 28-3109 inclusive
	65717-000	C,G	CUSHION ASSEMBLY - Front seat	2	28-3110 to 28-3442 inclusive
	68061-000	C,G	CUSHION ASSEMBLY - Front seat	2	28-3443 to 28-4089 inclusive
	66551-000	C,G	CUSHION ASSEMBLY - Front seat	2	28-4090 to 28-4379 inclusive
	67836-000	C,H	CUSHION ASSEMBLY - Front seat	2	
	63139-009	B	CUSHION ASSEMBLY - Left front seat, brown	1	28-20002 to 28-20087 inclusive
	63139-010	B	CUSHION ASSEMBLY - Right front seat, brown	1	28-20002 to 28-20087 inclusive
	63180-000	B,F	CUSHION ASSEMBLY - Front seat	2	28-20088 to 28-20204 inclusive
	63068-008	B,F	CUSHION ASSEMBLY - Front seat	2	28-20205 to 28-20909 inclusive
	63068-011	B	CUSHION ASSEMBLY - Front seat, brown	2	28-20910 to 28-21467 inclusive
	65717-000	B,G	CUSHION ASSEMBLY - Front seat	2	28-21468 to 28-21866 inclusive
	68061-000	B,G	CUSHION ASSEMBLY - Front seat	2	28-21867 to 28-23332 inclusive
	66551-004	B,J	CUSHION ASSEMBLY - Front seat	2	28-23333 to 28-24999 inclusive
<p>Note: Refer to Figure 28B if vertically adjustable front seats are installed.</p> <p>A - Used on PA-28-150, PA-28-160 and PA-28-180 with serial numbers 28-1 to 28-5869 inclusive, PA-28-140 with serial numbers 28-20002 to 28-26956 inclusive, PA-28R-180 with serial numbers 28R-30005 to 28R-30481 inclusive, 28R-30483 to 28R-31279 inclusive, PA-28R-200 with serial numbers 28R-30482, 28R-3500 to 28R-35830 inclusive, and PA-28-235 with serial numbers 28-10003 to 28-11393 inclusive.</p> <p>B - Used on PA-28-140 airplanes only.</p> <p>C - Used on PA-28-150, PA-28-160 and PA-28-180 only.</p> <p>D - Used on PA-28R-200 with serial numbers 28R-30482, 28R-35001 to 28R-35600 inclusive.</p> <p>E - Used on PA-28-150 and PA-28-160 airplanes only.</p> <p>F - When ordering, specify color brown or gray.</p> <p>G - When ordering, specify color red, blue or brown.</p> <p>H - When ordering, specify color red, brown, blue, beige, black or white.</p> <p>J - When ordering, specify color red, blue, brown or beige.</p>					

When ordering, always specify Part Number, Description, and Serial Number of Aircraft

PIPER PARTS CATALOG

Figure and Index Number	Part Number	Code	NOMENCLATURE	No. Req.	SERIAL NUMBERS AFFECTED	
28 -19 -20	63068-004	C,G	CUSHION ASSEMBLY - Front seat	2	28-10003 to 28-10719 inclusive	
	68061-000	C,G	CUSHION ASSEMBLY - Front seat	2	28-10720 to 28-10957 inclusive	
	66551-000	C,G	CUSHION ASSEMBLY - Front seat	2	28-10958 to 28-11039 inclusive	
	66551-004	H,J	CUSHION ASSEMBLY - Front seat	2	28R-30005 to 28R-30249 incl.	
	65881-000	J,K	CUSHION ASSEMBLY - Front seat	2		
	67836-004	L,M	CUSHION ASSEMBLY - Front seat	2		
	63139-008	N	* CUSHION ASSEMBLY - Front seat, bottom, brown	1	28-1 to 28-130 inclusive	
	63139-013	N	* CUSHION ASSEMBLY - Front seat, bottom	1	28-131 to 28-670 inclusive	
	63180-002	E,F	* CUSHION ASSEMBLY - Front seat, bottom	1	28-671 to 28-1760 inclusive	
	63068-002	D,F	* CUSHION ASSEMBLY - Front seat, bottom	1	28-671 to 28-1760 inclusive	
	63068-005	G,N	* CUSHION ASSEMBLY - Front seat, bottom	1	28-1761 to 28-3109 inclusive	
	65717-002	G,N	* CUSHION ASSEMBLY - Front seat, bottom	1	28-3110 to 28-3442 inclusive	
	68061-002	G,N	* CUSHION ASSEMBLY - Front seat, bottom	1	28-3443 to 28-4089 inclusive	
	66551-002	G,N	* CUSHION ASSEMBLY - Front seat, bottom	1	28-4090 to 28-4379 inclusive	
	63139-103	B	* CUSHION ASSEMBLY - Front seat, bottom, brown	1	28-20002 to 28-20087 inclusive	
	63180-002	B,F	* CUSHION ASSEMBLY - Front seat, bottom	1	28-20088 to 28-20204 inclusive	
	63068 002	B,F	* CUSHION ASSEMBLY - Front seat, bottom	1	28-20205 to 28-20909 inclusive	
	63068-009	B	* CUSHION ASSEMBLY - Front seat, bottom, brown	1	28-20910 to 28-21467 inclusive	
				<p>Note: Refer to Figure 28B if vertically adjustable front seats are installed.</p> <p>A - Used on PA-28-150, PA-28-160 and PA-28-180 with serial numbers 28-1 to 28-5869 inclusive, PA-28-140 with serial numbers 28-20002 to 28-26956 inclusive, PA-28R-180 with serial numbers 28R-30005 to 28R-30481 inclusive, 28R-30483 to 28R-31279 inclusive, PA-28R-200 with serial numbers 28R-30482, 28R-35001 to 28R-35830 inclusive, and PA-28-235 with serial numbers 28-10003 to 28-11393 inclusive.</p> <p>B - Used on PA-28-140 airplanes only.</p> <p>C - Used on PA-28-235 airplanes only.</p> <p>D - Used on PA-28-180 airplanes only.</p> <p>E - Used on PA-28-150 and PA-28-160 airplanes only.</p> <p>F - When ordering, specify color brown or gray.</p> <p>G - When ordering, specify color red, blue or brown.</p> <p>H - Used on PA-28R-180 airplanes only.</p> <p>J - When ordering, specify color red, blue, brown or beige.</p> <p>K - Used on PA-28-180 with serial numbers 28-4380 to 28-5600 inclusive, PA-28R-180 with serial numbers 28R-30250 to 28R-31250 inclusive, PA-28-235 with serial numbers 28-11040 to 28-11300 inclusive, PA-28R-200 with serial numbers 28R-30482, 28R-35001 to 28R-35600 inclusive, and PA-28-140 with serial numbers 28-25000 to 28-26956 inclusive.</p> <p>L - When ordering, specify color red, green, blue, black or white.</p> <p>M - Used on PA-28-180 with serial numbers 28-5601 to 28-5869 inclusive, PA-28R-180 with serial numbers 28R-31251 to 28R-31279 inclusive, PA-28-235 with serial number 28-11301 to 28-11393 inclusive, and PA-28R-200 with serial numbers 28R-35601 to 28R-35830 inclusive.</p> <p>N - Used on PA-28-150, PA-28-160 and PA-28-180 airplanes only.</p>		

When ordering, always specify Part Number, Description, and Serial Number of Aircraft

PIPER PARTS CATALOG

Figure and Index Number	Part Number	Code	NOMENCLATURE	No. Req.	SERIAL NUMBERS AFFECTED
28 -20	65717-002	B,G	CUSHION ASSEMBLY - Front seat, bottom	1	28-21468 to 28-21866 inclusive
	68061-002	B,G	CUSHION ASSEMBLY - Front seat, bottom	1	28-21867 to 28-23332 inclusive
	66551-005	B,J	CUSHION ASSEMBLY - Front seat, bottom	1	28-23333 to 28-24999 inclusive
	63068-005	C,G	CUSHION ASSEMBLY - Front seat, bottom	1	28-10003 to 28-10719 inclusive
	68061-002	C,G	CUSHION ASSEMBLY - Front seat, bottom	1	28-10720 to 28-10957 inclusive
	66551-002	C,G	CUSHION ASSEMBLY - Front seat, bottom	1	28-10958 to 28-11039 inclusive
	66551-005	H,J	CUSHION ASSEMBLY - Front seat, bottom	1	28R-30005 to 28R-30249 incl.
	65881-002	J,K	CUSHION ASSEMBLY - Front seat, bottom	1	
	67836-002	D,L	CUSHION ASSEMBLY - Front seat, bottom	1	
	67836-005	E,F	CUSHION ASSEMBLY - Front seat, bottom	1	
			<p>Note: Refer to Figure 28B if vertically adjustable front seats are installed.</p> <p>A - Used on PA-28-150, PA-28-160 and PA-28-180 with serial numbers 28-1 to 28-5869 inclusive, PA-28-140 with serial numbers 28-20002 to 28-26956 inclusive, PA-28R-180 with serial number 28R-30005 to 28R-30481 inclusive, 28R-30483 to 28R-31279 inclusive, PA-28R-200 with serial number 28R-30482, 28R-35001 to 28R-35830 inclusive, and PA-28-235 with serial number 28-10003 to 28-11393 inclusive.</p> <p>B - Used on PA-28-140 airplanes only.</p> <p>C - Used on PA-28-235 airplanes only.</p> <p>D - When ordering, specify color red, brown, blue, beige, black or white.</p> <p>E - Used on PA-28-180 with serial numbers 28-5601 to 28-5869 inclusive, PA-28R-180 with serial numbers 28R-31251 to 28R-31279 inclusive, PA-28R-200 with serial numbers 28R-35601 to 28R-35830 inclusive, and PA-28-235 with serial numbers 28-11301 to 28-11393 inclusive.</p> <p>F - When ordering, specify color red, green, blue, beige, black or white.</p> <p>G - When ordering, specify color red, blue or brown.</p> <p>H - Used on PA-28R-180 airplanes only.</p> <p>J - When ordering, specify color red, blue, brown or beige.</p> <p>K - Used on PA-28-180 with serial numbers 28-4380 to 28-5600 inclusive, PA-28R-180 with serial numbers 28R-30250 to 28R-30481 inclusive, 28R-30483 to 28R-31250 inclusive, PA-28-235 with serial numbers 28-11040 to 28-11300 inclusive, and PA-28-140 with serial numbers 28-25000 to 28-26956 inclusive.</p> <p>L - Used on PA-28R-200 with serial numbers 28R-30482, 28R-35001 to 28R-35600 inclusive.</p>		

When ordering, always specify Part Number, Description, and Serial Number of Aircraft

PIPER PARTS CATALOG

Figure and Index Number	Part Number	Code	NOMENCLATURE	No. Req.	SERIAL NUMBERS AFFECTED
28 -20a	18835-012	B	FRAME ASSEMBLY - Front seat, bottom	1	
	63443-000	C	FRAME ASSEMBLY - Front seat, bottom	1	
	68059-000	D	FRAME ASSEMBLY - Front seat, bottom	1	
	68059-006	E	FRAME ASSEMBLY - Front seat, bottom	1	
	-21	85012-030		* WASHER - Seat plunger	2
-22	86102-056		* WASHER - Seat plunger	2	
-23	50111-000		* SPRING - Seat plunger	2	
-24	76175-002		* PLUNGER - Seat	2	
-25	69501-000		* HANDLE - Front seat adjustment	2	
-26	424-187		*PIN - Flat head (AN393-37)	2	
<p>Note: Refer to Figure 28B if vertically adjustable front seats are installed.</p> <p>A - Used on PA-28-150, PA-28-160 and PA-28-180 with serial numbers 28-1 to 28-5869 inclusive, PA-28-140 with serial numbers 28-20002 to 28-26956 inclusive, PA-28R-180 with serial numbers 28R-30005 to 28R-30481 inclusive, 28R-30483 to 28R-31279 inclusive, PA-28R-200 with serial numbers 28R-30482, 28R-35001 to 28R-35830 inclusive, and PA-28-235 with serial numbers 28-10003 to 28-11393 inclusive.</p> <p>B - Used on PA-28-150, PA-28-160 and PA-28-180 with serial numbers 28-1 to 28-670 inclusive, and PA-28-140 with serial numbers 28-20002 to 28-20087 inclusive.</p> <p>C - Used on PA-28-150, PA-28-160 and PA-28-180 with serial numbers 28-671 to 28-3442 inclusive, PA-28-140 with serial numbers 28-20088 to 28-21866 inclusive, and PA-28-235 with serial numbers 28-10003 to 28-10719 inclusive.</p> <p>D - Used on PA-28-150, PA-28-160 and PA-28-180 with serial numbers 28-3443 to 28-4379 inclusive, PA-28-140 with serial numbers 28-21867 to 28-24999 inclusive, PA-28-235 with serial numbers 28-10720 to 28-11039 inclusive, and PA-28R-180 with serial number 28R-30005 to 28R-30249 inclusive.</p> <p>E - Used on PA-28-140 with serial numbers 28-25000 to 28-26956 inclusive, PA-28-180 with serial numbers 28-4380 to 28-5869 inclusive, PA-28-235 with serial numbers 28-11040 to 28-11393 inclusive, PA-28R-180 with serial numbers 28R-30250 to 28R-30481 inclusive, 28R-30483 to 28R-31279 inclusive, and PA-28R-200 with serial numbers 28R-30482, 28R-35001 to 28R-35830 inclusive.</p>					

When ordering, always specify Part Number, Description, and Serial Number of Aircraft

PIPER PARTS CATALOG

Figure and Index Number	Part Number	Code	NOMENCLATURE	No. Req.	SERIAL NUMBERS AFFECTED	
28	-27	87332-002	D	ROLLER - Seat, front	2	
	-28	87332-002	C,D	ROLLER - Seat, rear	2	
		452-386	B	BEARING - Seat, rear (NAS506-4)	2	
	-29	65003-047		BUSHING - Seat roller, front	2	
	-30	65003-047	C	BUSHING - Seat roller, rear	2	
		63900-054	B	BUSHING - Seat roller, rear	4	
	-31	400-110	C	BOLT - Seat roller (AN4-15) front	2	
		401-315	B	BOLT - Seat roller (AN4-15A) front	2	
		404-101	C	NUT - (AN310-4) Front	2	
		404-530	B	NUT - (MS21042-4) Front	2	
		690-611	B	WASHER - (NAS1149F0463P)	2	
		424-051	C	COTTER PIN - (AN380-2-2)	2	
	-32	400-111	C	BOLT - Seat roller (AN4-16) rear	2	
		401-315	B	BOLT - Seat roller (AN4-15A) rear	2	
		404-101	C	NUT - (AN310-4) Rear	2	
		404-530	B	NUT - (MS21042-4) Rear	2	
		690-611	B	WASHER - (NAS1149F0463P)	2	
		424-051	C	COTTER PIN - (AN380-2-2)	2	
				<p>Note: Refer to Figure 28B if vertically adjustable front seats are installed.</p> <p>A - Used on PA-28-150, PA-28-160 and PA-28-180 with serial number 28-1 to 28-5869 inclusive, PA-28-140 with serial numbers 28-20002 to 28-26956 inclusive, PA-28R-180 with serial number 28R-30005 to 28R-30481 inclusive, 28R-30483 to 28R-31279 inclusive, PA-28R-200 with serial number 28R-30482, 28R-35001 to 28R-35830 inclusive, and PA-28-235 with serial numbers 28-10003 to 28-11393 inclusive.</p> <p>B - Used on PA-28-150, PA-28-160 and PA-28-180 with serial number 28-1761 to 28-5869 inclusive, PA-28-140 with serial number 28-20301 to 28-26956 inclusive, PA-28-235 with serial numbers 28-10487 to 28-11393 inclusive, PA-28R-180 with serial numbers 28R-30005 to 28R-30481 inclusive, 28R-30483 to 28R-31279 inclusive, and PA-28R-200 with serial numbers 28R-30482, 28R-35001 to 28R-35830 inclusive.</p> <p>C - Used on PA-28-150, PA-28-160 and PA-28-180 with serial numbers 23-1 to 28-1760 inclusive, PA-28-140 with serial numbers 28-20002 to 28-20300 inclusive, and PA-28-235 with serial numbers 28-10003 to 28-10486 inclusive.</p> <p>D - Before ordering, ascertain O.D. at center of seat roller. If O.D. of roller measures .42, (2) rollers Part Number 18968-000 must be ordered. If O.D. of roller measures .62, order Part Number 87332-002 rollers(s) as required.</p>		

When ordering, always specify Part Number, Description, and Serial Number of Aircraft

PIPER PARTS CATALOG

Figure and Index Number	Part Number	Code	NOMENCLATURE	No. Req.	SERIAL NUMBERS AFFECTED	
28 -33	63139-006	J	CUSHION ASSEMBLY - Front seat, back, left, brown	1	28-1 to 28-130 inclusive	
	63139-007	J	CUSHION ASSEMBLY - Front seat, back, right, brown	1	28-1 to 28-130 inclusive	
	63139-011	J	CUSHION ASSEMBLY - Front seat, back, left, brown	1	28-131 to 28-670 inclusive	
	63139-012	J	CUSHION ASSEMBLY - Front seat, back, right, brown	1	28-131 to 28-670 inclusive	
	63180-003	F,K	CUSHION ASSEMBLY - Front seat, back	1	28-671 to 28-1760 inclusive	
	63068-003	B,F	CUSHION ASSEMBLY - Front seat, back	1	28-671 to 28-1760 inclusive	
	63068-006	G,J	CUSHION ASSEMBLY - Front seat, back	1	28-1761 to 28-3109 inclusive	
	65717-003	G,J	CUSHION ASSEMBLY - Front seat, back	1	28-3110 to 28-3442 inclusive	
	68061-003	G,J	CUSHION ASSEMBLY - Front seat, back	1	28-3443 to 28-4089 inclusive	
	66551-003	G,J	CUSHION ASSEMBLY - Front seat, back	1	28-4090 to 28-4379 inclusive	
	63139-011	D	CUSHION ASSEMBLY - Front seat, back, left, brown	1	28-20002 to 28-20087 inclusive	
	63139-012	G	CUSHION ASSEMBLY - Front seat, back, right, brown	1	28-20002 to 28-20087 inclusive	
	63180-003	D,F	CUSHION ASSEMBLY - Front seat, back	1	28-20088 to 28-20204 inclusive	
	63068-007	D,F	CUSHION ASSEMBLY - Front seat, back	1	28-20205 to 28-20909 inclusive	
	63068-010	D	CUSHION ASSEMBLY - Front seat, back, brown	1	28-20910 to 28-21467 inclusive	
	65717-003	D,G	CUSHION ASSEMBLY - Front seat, back	1	28-21468 to 28-21866 inclusive	
	68061-003	D,G	CUSHION ASSEMBLY - Front seat, back	1	28-21867 to 28-23332 inclusive	
	66551-006	D,H	CUSHION ASSEMBLY - Front seat, back	1	28-23333 to 28-24999 inclusive	
	63068-006	C,G	CUSHION ASSEMBLY - Front seat, back	1	28-10003 to 28-10719 inclusive	
	68061-003	C,G	CUSHION ASSEMBLY - Front seat, back	1	28-10720 to 28-10957 inclusive	
	66551-003	C,G	CUSHION ASSEMBLY - Front seat, back	1	28-10958 to 28-11039 inclusive	
	66551-006	E,H	CUSHION ASSEMBLY - Front seat, back	1	28R-30005 to 28R-30249 incl.	
				<p>Note: Refer to Figure 28B if vertically adjustable front seats are installed.</p> <p>A - Used on PA-28-150, PA-28-160 and PA-28-180 with serial number 28-1 to 28-5869 inclusive, PA-28-140 with serial numbers 28-20002 to 28-26956 inclusive, PA-28R-180 with serial numbers 28R-30005 to 28R-30481 inclusive, 28R-30483 to 28R-31279 inclusive, PA-28R-200 with serial numbers 28R-30482, 28R-35001 to 28R-35830 inclusive, and PA-28-235 with serial numbers 28-10003 to 28-11393 inclusive.</p> <p>B - Used on PA-28-180 airplanes only.</p> <p>C - Used on PA-28-235 airplanes only.</p> <p>D - Used on PA-28-140 only.</p> <p>E - Used on PA-28R-180 airplanes only.</p> <p>F - When ordering, specify color brown or gray.</p> <p>G - When ordering, specify color red, blue or brown.</p> <p>H - When ordering, specify color red, blue, brown or beige.</p> <p>J - Used on PA-28-150, PA-28-160 and PA-28-180 only.</p> <p>K - Used on PA-28-150 and PA-28-160 airplanes only.</p>		

When ordering, always specify Part Number, Description, and Serial Number of Aircraft

PIPER PARTS CATALOG

Figure and Index Number	Part Number	Code	NOMENCLATURE	No. Req.	SERIAL NUMBERS AFFECTED
28 -33 -33a	65881-003	E,H	CUSHION ASSEMBLY - Front seat, back		
	67836-003	J,K	CUSHION ASSEMBLY - Front seat, back	1	
	67836-006	G,L	CUSHION ASSEMBLY - Front seat, back	1	
	18838-004	B	* FRAME ASSEMBLY - Front seat, back	1	
	65273-000	C	* FRAME ASSEMBLY - Front seat, back	1	
	68067-000	D	* FRAME ASSEMBLY - Front seat, back	1	
	65879-000	F	* FRAME ASSEMBLY - Front seat, back	1	
			<p>Note: Refer to Figure 28B if vertically adjustable front seats are installed.</p> <p>A - Used on PA-28-150, PA-28-160 and PA-28-180 with serial numbers 28-1 to 28-5869 inclusive, PA-28-140 with serial numbers 28-20002 to 28-26956 inclusive, PA-28R-180 with serial numbers 28R-30005 to 28R-30481 inclusive, 28R-30483 to 28R-31279 inclusive, PA-28R-200 with serial numbers 28R-30482, 28R-35001 to 28R-35830 inclusive, and PA-28-235 with serial numbers 28-10003 to 28-11393 inclusive.</p> <p>B - Used on PA-28-150, PA-28-160 and PA-28-180 with serial numbers 28-1 to 28-1760 inclusive, and PA-28-140 with serial numbers 28-20002 to 28-21467 inclusive.</p> <p>C - Used on PA-28-150, PA-28-160 and PA-28-180 with serial numbers 28-1761 to 28-3442 inclusive, PA-28-140 with serial numbers 28-21468 to 28-21866 inclusive, and PA-28-235 with serial number 28-10003 to 28-10719 inclusive.</p> <p>D - Used on PA-28-150, PA-28-160 and PA-28-180 with serial numbers 28-3443 to 28-4379 inclusive, PA-28-140 with serial numbers 28-21867 to 28-24999 inclusive, PA-28-235 with serial numbers 28-10720 to 28-11039 inclusive, and PA-28R-180 with serial numbers 28R-30005 to 28R-30249 inclusive.</p> <p>E - Used on PA-28-180 with serial numbers 28-4380 to 28-5600 inclusive, PA-28R-180 with serial numbers 28R-30250 to 28R-30481 inclusive, 28R-30483 to 28R-31250 inclusive, PA-28-235 with serial numbers 28-11040 to 28-11300 inclusive, and PA-28-140 with serial numbers 28-25000 to 28-26956 inclusive.</p> <p>F - Used on PA-28-140 with serial numbers 28-25000 to 28-26956 inclusive, PA-28-180 with serial numbers 28-4380 to 28-5369 inclusive, PA-28-235 with serial numbers 28-11040 to 28-11393 inclusive, PA-28R-180 with serial numbers 28R-30250 to 28R-30481, 28R-30483 to 28R-31279 inclusive, and PA-28R-200 with serial numbers 28R-30482, 28R-35001 to 28R-35830 inclusive.</p> <p>G - When ordering, specify color red, green, blue, beige, black or white.</p> <p>H - When ordering, specify color red, blue, brown or beige.</p> <p>J - Used on PA-28R-200 with serial numbers 28R-30482, 28R-35001 to 28R-35600 inclusive.</p> <p>K - When ordering, specify color red, brown, blue, beige, black or white.</p> <p>L - Used on PA-28-180 with serial numbers 28-5601 to 28-5869 inclusive, PA-28R-180 with serial numbers 28R-31251 to 28R-31279 inclusive, PA-28R-200 with serial numbers 28R-35601 to 28R-35830 inclusive, and PA-28-235 with serial numbers 28-11301 to 28-11393 inclusive.</p>		

When ordering, always specify Part Number, Description, and Serial Number of Aircraft

PIPER PARTS CATALOG

Figure and Index Number	Part Number	Code	NOMENCLATURE	No. Req.	SERIAL NUMBERS AFFECTED
28 -34	65304-000	B	* PANEL - Ash box	1	
-35	453-141	B	* BOX - Ash	1	
-36	65286-002	B	* KNOB - Ash box, red	1	
	65286-003	B	* KNOB - Ash box, blue	1	
	65286-004	B	* KNOB - Ash box, brown	1	
-37	484-385	B	* RETAINER - Ash box	1	
-38	62654-000		STOP - Seat, inboard, front	2	
-39	62655-000		STOP - Seat, inboard, rear	2	
-40	65761-002	C,E,F	COVER - Inertia reel, 8" x 7" left, red	1	
	67762-002	D,E	COVER - Inertia reel, 11-1/4" x 6", left, red	1	28-26401 to 28-26956 inclusive
	65761-003	C,E,F	COVER - Inertia reel, 8" x 7", right, red	1	
	67762-003	D,E	COVER - Inertia reel, 11-1/4" x 6", right, red	1	28-26401 to 28-26956 inclusive
	65761-004	C,E,F	COVER - Inertia reel, 8" x 7", left, blue	1	
	67762-004	D,E	COVER - Inertia reel, 11-1/4" x 6", left, blue	1	28-26401 to 28-26956 inclusive
	65761-005	C,E,F	COVER - Inertia reel, 8" x 7", right, blue	1	
	67762-005	D,E	COVER - Inertia reel, 11-1/4" x 6", right, blue	1	28-26401 to 28-26956 inclusive
	65761-006	C,E,F	COVER - Inertia reel, 8" x 7", left, brown	1	
	67762-008	D,E	COVER - Inertia reel, 11-1/4" x 6", left, brown	1	28-26401 to 28-26956 inclusive
	65761-007	C,E,F	COVER - Inertia reel, 8" x 7", right, brown	1	
	67762-009	D,E	COVER - Inertia reel, 11-1/4" x 6", right, brown	1	28-26401 to 28-26956 inclusive
	65761-008	C,E,F	COVER - Inertia reel, 8" x 7", left, gray	1	
	65761-009	C,E,F	COVER - Inertia reel, 8" x 7", right, gray	1	
	65761-010	C,E,F	COVER - Inertia reel, 8" x 7", left, tan	1	
	67762-006	D,E	COVER - Inertia reel, 11-1/4" x 6", left, tan	1	28-26401 to 28-26956 inclusive
	65761-011	C,E,F	COVER - Inertia reel, 8" x 7", right, tan	1	
	67762-007	D,E	COVER - Inertia reel, 11-1/4" x 6", right, tan	1	28-26401 to 28-26956 inclusive
<p>Note: Refer to Figure 28B if vertically adjustable front seats are installed.</p> <p>A - Used on PA-28-150, PA-28-160 and PA-28-180 with serial numbers 28-1 to 28-5869 inclusive, PA-28-140 with serial numbers 28-20002 to 28-26956 inclusive, PA-28R-180 with serial numbers 28R-30005 to 28R-30481 inclusive, 28R-30483 to 28R-31279 inclusive, PA-28R-200 with serial numbers 28R-30482, 28R-35001 to 28R-35830 inclusive, and PA-28-235 with serial numbers 28-10003 to 28-11393 inclusive.</p> <p>B - Used on PA-28-150, PA-28-160 and PA-28-180 with serial numbers 28-1761 to 28-3443 inclusive, PA-28-140 with serial numbers 28-21468 to 28-21866 inclusive, and PA-28-235 with serial numbers 28-10003 to 28-10719 inclusive.</p> <p>C - Used on PA-28-140 with serial numbers 28-20002 to 28-26400 inclusive, PA-28-150, PA-28-160 and PA-28-180 with serial numbers 28-1761 to 28-4377 inclusive.</p> <p>D - Used on PA-28-140 airplanes only.</p> <p>E - Used if shoulder harness has been installed.</p> <p>F - If installing Shoulder Harness Kit 760 365, order reel covers for PA-28-140 with serial numbers 28-26401 to 28-26956 inclusive, PA-28-150, PA-28-160 and PA-28-180 require reel covers used on PA-28-180 with serial numbers 28-5601 to 28-26956 inclusive.</p>					

When ordering, always specify Part Number, Description, and Serial Number of Aircraft

PIPER PARTS CATALOG

Figure and Index Number	Part Number	Code	NOMENCLATURE	No. Req.	SERIAL NUMBERS AFFECTED
28 -40	65764-002	B,C,D	COVER - Inertia reel, 7-1/8" x 7", left, red	1	
	69439-002	C,E	COVER - Inertia reel, 12-1/2" x 6-1/8", left, red	1	
	65764-003	B,C,D	COVER - Inertia reel, 7-1/8" x 7", right, red	1	
	69439-003	C,E	COVER - Inertia reel, 12-1/2" x 6-1/8", right, red	1	
	65764-004	B,C,D	COVER - Inertia reel, 7-1/8" x 7", left, blue	1	
	69439-004	C,E	COVER - Inertia reel, 12-1/2" x 6-1/8", left, blue	1	
	65764-005	B,C,D	COVER - Inertia reel, 7-1/8" x 7", right, blue	1	
	69439-005	C,E	COVER - Inertia reel, 12-1/2" x 6-1/8", right, blue	1	
	65764-006	B,C,D	COVER - Inertia reel, 7-1/8" x 7", left, brown	1	
	65764-007	B,C,D	COVER - Inertia reel, 7-1/8" x 7", right, brown	1	
	65764-008	B,C,D	COVER - Inertia reel, 7-1/8" x 7", left, tan	1	
	69439-006	C,E	COVER - Inertia reel, 12-1/2" x 6-1/8", left, tan	1	
	65764-009	B,C,D	COVER - Inertia reel, 7-1/8" x 7", right, tan	1	
	69439-007	C,E	COVER - Inertia reel, 12-1/2" x 6-1/8", right, tan	1	
	69439-008	C,E	COVER - Inertia reel, 12-1/2" x 6-1/8", left, green	1	
	69439-009	C,E	COVER - Inertia reel, 12-1/2" x 6-1/8", right, green	1	
	69439-010	C,E	COVER - Inertia reel, 12-1/2" x 6-1/8", left, black	1	
	69439-011	C,E	COVER - Inertia reel, 12-1/2" x 6-1/8", right, black	1	
	69439-012	C,E	COVER - Inertia reel, 12-1/2" x 6-1/8", left, white	1	
	69439-013	C,E	COVER - Inertia reel, 12-1/2" x 6-1/8", right, white	1	
			<p>A - Used on PA-28-150, PA-28-160 and PA-28-180 with serial numbers 28-1 to 28-5869 inclusive, PA-28-140 with serial numbers 28-20002 to 28-26956 inclusive, PA-28R-180 with serial numbers 28R-30005 to 28R-30481 inclusive, 28R-30483 to 28R-31279 inclusive, PA-28R-200 with serial numbers 28R-30482, 28R-35001 to 28R-35830 inclusive, and PA-28-235 with serial numbers 28-10003 to 28-11393 inclusive.</p> <p>B - Used on PA-28-180 with serial numbers 28-4378 to 28-5600 inclusive, and PA-28-235 with serial numbers 28-11040 to 28-11300 inclusive.</p> <p>C - Used if shoulder harness has been installed.</p> <p>D - If installing Shoulder Harness Kit 760 365, order reel cover for PA-28-180 with serial number 28-5601 to 28-5869 inclusive, and PA-28-235 with serial numbers 28-11301 to 28-11393 inclusive.</p> <p>E - Used on PA-28-180 with serial numbers 28-5601 to 28-5869 inclusive, PA-28R-180 with serial numbers 28R-31251 to 28R-31279 inclusive, PA-28R-200 with serial numbers 28R-35601 to 28R-35830 inclusive, and PA-28-235 with serial numbers 28-11301 to 28-11393 inclusive.</p>		

When ordering, always specify Part Number, Description, and Serial Number of Aircraft

PIPER PARTS CATALOG

Figure and Index Number	Part Number	Code	NOMENCLATURE	No. Req.	SERIAL NUMBERS AFFECTED
28 -41	65763-000	B,D	BRACKET - Shoulder belt support, left	1	
	66940-000	C,D	DOUBLER - Shoulder belt support, left	1	
	65763-001	B,D	BRACKET - Shoulder belt support, right	1	
	66940-001	C,D	DOUBLER - Shoulder belt support, right	1	
-42	484-224	E	BELT ASSEMBLY - Shoulder (0107116-9)	2	
-43	62915-000	F	SUPPORT - Rear seat back	2	
	67757-000	G	SUPPORT - Rear seat back	2	
-44	434-128	G	GROMMET - Rear seat back support (AN931-4-7)	2	
-45	68022-014		BOOT - Seat belt attachment, black	4	
<p>A - Used on PA-28-150, PA-28-160 and PA-28-180 with serial numbers 28-1 to 28-5869 inclusive, PA-28-140 with serial numbers 28-20002 to 28-26956 inclusive, PA-28R-180 with serial numbers 28R-30005 to 28R-30481 inclusive, 28R-30482 to 28R-31279 inclusive, PA-28R-200 with serial numbers 28R-30482, 28R-35001 to 28R-35830 inclusive, and PA-28-235 with serial numbers 28-10003 to 28-11393 inclusive.</p> <p>B - Used on PA-28-140 with serial numbers 28-20002 to 28-26400 inclusive, PA-28-150, PA-28-160 and PA-28-180 with serial numbers 28-1716 to 28-5600 inclusive, and PA-28-235 with serial numbers 28-11040 to 28-11300 inclusive.</p> <p>C - Used on PA-28-140 with serial numbers 28-26401 to 28-26956 inclusive, PA-28-180 with serial numbers 28-5601 to 28-5869 inclusive, PA-28R-180 with serial numbers 28R-31251 to 28R-31279 inclusive, PA-28R-200 with serial numbers 28R-35601 to 28R-35830 inclusive, and PA-28-235 with serial numbers 28-11301 to 28-11393 inclusive.</p> <p>D - Used if shoulder harness has been installed.</p> <p>E - Ascertain vendor's part number on shoulder belt. If 0107116-9 does not appear, also order matching Lap belt Assembly, Part No. 551-368.</p> <p>F - Used on PA-28-150, PA-28-160 and PA-28-180 with serial numbers 28-1 to 28-5600 inclusive, PA-28R-180 with serial numbers 28R-30005 to 28R-30481 inclusive, 28R-30483 to 28R-31250 inclusive, PA-28R-200 with serial numbers 28R-30482, 28R-35001 to 28R-35600 inclusive, and PA-28-235 with serial numbers 28-10003 to 28-11300 inclusive.</p> <p>G - Used on PA-28-180 with serial numbers 28-5601 to 28-5869 inclusive, PA-28R-180 with serial numbers 28R-31251 to 28R-31279 inclusive, PA-28R-200 with serial number 28R-35601 to 28R-35830 inclusive, and PA-28-235 with serial numbers 28-11301 to 28-11393 inclusive.</p>					

When ordering, always specify Part Number, Description, and Serial Number of Aircraft

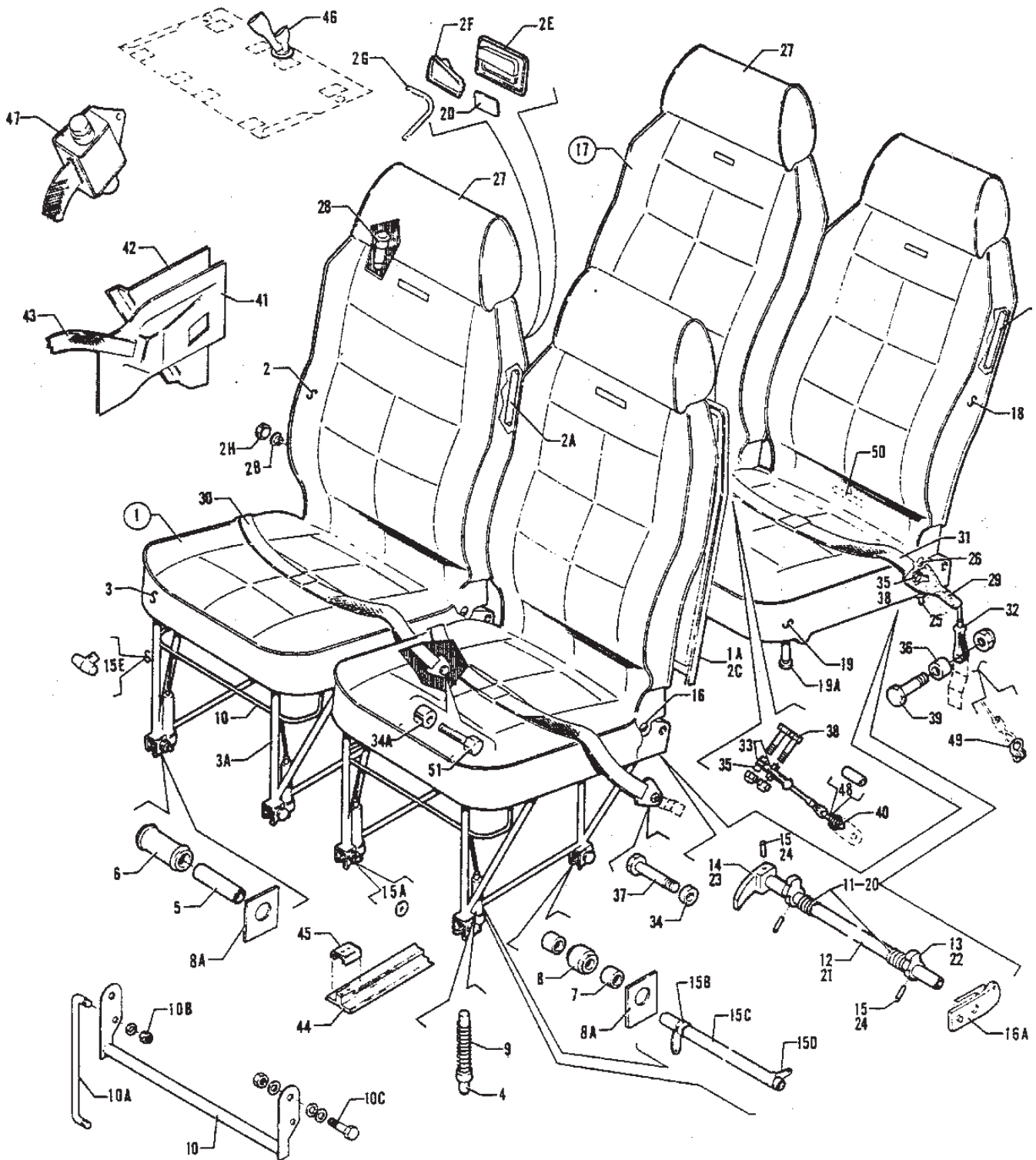


Figure 28A. Seats Installation
 (PA-28-140 - Serial Nos. 28-7125001 and up)
 (PA-28-180 - Serial Nos. 28-7105001 and up)
 (PA-28-235 - Serial Nos. 28-7110001 and up)
 (PA-28R-180 - Serial Nos. 28R-7130001 and up)
 (PA-28R-200 - Serial Nos. 28R-7135001 and up)

PA-28-140
 PA-28-180
 PA-28-235
 PA-28R-180
 PA-28R-200

THIS PAGE INTENTIONALLY LEFT BLANK

PIPER PARTS CATALOG

Figure and Index Number	Part Number	Code	NOMENCLATURE	No. Req.	SERIAL NUMBERS AFFECTED
28A-	99354 76170	H K,M	DRAWING - Seats Installation DRAWING - Seats Installation		
-1	99384-000 99727-016 79337-000 99384-001 99727-001 79337-001 99727-017 79337-001 99384-002 99727-021 76171-000 79337-002	B,D,N B,D,N B,F,N B,D,N B,D,N B,F,N D,J,N J,N C, D,N F,G,N E,F,N F,L,M,N	SEAT ASSEMBLY - Front, left SEAT ASSEMBLY - Front, left SEAT ASSEMBLY - Front, left SEAT ASSEMBLY - Front, right SEAT ASSEMBLY - Front, right SEAT ASSEMBLY - Front, right SEAT ASSEMBLY - Front, right SEAT ASSEMBLY - Front, right, gold SEAT ASSEMBLY - Front, left SEAT ASSEMBLY - Front, left SEAT ASSEMBLY - Front, left SEAT ASSEMBLY - Front, left	1 1 1 1 1 1 1 1 1 1 1 1	28-7125001 to 28-7125651 incl. 28-7225001 to 28-7225612 incl. 28-7325001 and up 28-7125001 to 28-7125651 incl. 28-7225001 to 28-7225612 incl. 28-7325001 and up 28-7225001 to 28-7225612 incl. 28-7325001 and up 28-7235001 to 28R-7235330 incl.
			<p>Note: Refer to Figure 28B or 28C if vertically adjustable front seats are installed.</p> <p>A - Used on PA-28-140 with serial numbers 28-7125001 and up, PA-28-180 with serial numbers 28-7105001 and up, PA-28-235 with serial numbers 28-7110001 and up, PA-28R-180 with serial numbers 28R-7130001 and up, and PA-28R-200 with serial numbers 28R-7135001 and up.</p> <p>B - Used on PA-28-140 airplanes only.</p> <p>C - Used on PA-28-180 with serial numbers 28-7105001 to 28-7105244 inclusive, PA-28-235 with serial numbers 28-7110001 to 28-7110042 inclusive, PA-28R-180 with serial numbers 28R-7130001 to 28R-7130019 inclusive, and PA-28R-200 with serial numbers 28R-7135001 to 28R-7135238 inclusive.</p> <p>D - When ordering, specify color red, blue, beige, black, white, green or gold.</p> <p>E - Used on PA-28R-200 airplanes only.</p> <p>F - When ordering, specify color red, blue/green, gold, green, black, white, blue, Navajo sepia, Navajo cactus or yellow/dark red. Specify trim color black or camel on 1977 and up model aircraft.</p> <p>G - Used on PA-28-180 with serial numbers 28-7205001 to 28-7205328 inclusive, and PA-28-235 with serial numbers 28-7210001 to 28-7210033 inclusive.</p> <p>H - Used on PA-28-140 with serial numbers 28-7125001 and up, PA-28-180 with serial numbers 28-7105001 and up, PA-28-235 with serial numbers 28-7110001 and up, PA-28R-180 with serial numbers 28R-7130001 to 28R-7130019 inclusive, and PA-28R-200 with serial numbers 28R-7135001 to 28R-7135238 inclusive.</p> <p>J - Used on PA-28-140 Flite Liner only.</p> <p>K - Used on PA-28R-200 with serial numbers 28R-7235001 and up.</p> <p>L - Used on PA-28R-200 with serial numbers 28R-7335001 and up.</p> <p>M - Used on PA-28-180 with serial numbers 28-7305001 and up and PA-28-235 with serial numbers 28-7310001 and up.</p> <p>N - Reference latest revision to Service Letter 813 on vertically adjustable seat refinement using Kit No. 761-103.</p>		

When ordering, always specify Part Number, Description, and Serial Number of Aircraft

PIPER PARTS CATALOG

Figure and Index Number	Part Number	Code	NOMENCLATURE	No. Req.	SERIAL NUMBERS AFFECTED	
28A-1	99384-003	C,D,N	SEAT ASSEMBLY - Front, right	1		
	99727-003	F,G,N	SEAT ASSEMBLY - Front, right	1		
	76171-001	F,L,N	SEAT ASSEMBLY - Front, right	1	28R-7235001 to 28R-7235330 incl.	
	79337-003	E,F,M,N	SEAT ASSEMBLY - Front, right	1		
	-1a	78041-000	B,H	* COVER - Seat back, left	1	28-7325001 and up
		78041-000	E,H,M	* COVER - Seat back, left	1	
		78041-000	H,J	* COVER - Seat back, right	1	28-7325001 and up
	-2	99384-006	B,D	* CUSHION ASSEMBLY - Back, left and right	1	28-7125001 to 28-7125651 incl.
		99384-007	C,D	* CUSHION ASSEMBLY - Back, left and right	1	
		99727-020	B,K	* CUSHION ASSEMBLY - Back, left	1	28-7225001 to 28-7225612 incl.
		99727-023	F,G	* CUSHION ASSEMBLY - Back, left	1	
		99727-024	F,L	* CUSHION ASSEMBLY - Back, left	1	28R-7235001 to 28R-7235330 incl.
				<p>Note: Refer to Figure 28B or 28C if vertically adjustable front seats are installed.</p> <p>A - Used on PA-28-140 with serial numbers 28-7125001 and up, PA-28-180 with serial numbers 28-7105001 and up, PA-28-235 with serial numbers 28-7110001 and up, PA-28R-180 with serial numbers 28R-7130001 and up, and PA-28R-200 with serial numbers 28R-7135001 and up.</p> <p>B - Used on PA-28-140 airplanes only.</p> <p>C - Used on PA-28-180 with serial numbers 28-7105001 to 28-7105244 inclusive, PA-28-235 with serial numbers 28-7110001 to 28-7110042 inclusive, PA-28R-180 with serial numbers 28R-7130001 to 28R-7130019 inclusive, and PA-28R-200 with serial numbers 28R-7135001 to 28R-7135238 inclusive.</p> <p>D - When ordering, specify color red, blue, beige, black, white or green.</p> <p>E - Used on PA-28R-200 with serial numbers 28R-7335001 and up.</p> <p>F - When ordering, specify color red, blue/green, gold, green, black, white, blue, Navajo sepia, Navajo cactus or yellow/dark red. Specify trim color black or camel on 1977 and up model aircraft.</p> <p>G - Used on PA-28-180 with serial numbers 28-7205001 to 28-7205328 inclusive, and PA-28-235 with serial numbers 28-7210001 to 28-7210033 inclusive.</p> <p>H - When ordering, specify color red, blue/green, gold, black, white, green or bark. Specify color "Bark I" for PA-28-140 with serial numbers 28-7725001 to 28-7725174 inclusive, PA-28-235 with serial numbers 28-7710001 to 28-7710010 inclusive, and PA-28R-200 with serial numbers 28R-7635504 and up. Specify color "Bark II" for PA-28-140 with serial numbers 28-7725175 and up, and PA-28-235 with serial numbers 28-7710011 and up.</p> <p>J - Used on PA-28-140 Flite Liner only.</p> <p>K - When ordering, specify color red, blue, beige, gold or green.</p> <p>L - Used on PA-28R-200 airplanes only.</p> <p>M - Used on PA-28-180 with serial numbers 28-7305001 and up, and PA-28-235 with serial numbers 28-7310001 and up.</p> <p>N - Reference latest revision of Piper Service Letter 813 on vertically adjustable seat refinement using Kit No. 761-103.</p>		

PA-28-140
PA-28-180
PA-28-235
PA-28R-180
PA-28R-200

When ordering, always specify Part Number, Description, and Serial Number of Aircraft

PIPER PARTS CATALOG

Figure and Index Number	Part Number	Code	NOMENCLATURE	No. Req.	SERIAL NUMBERS AFFECTED	
28A-2	96806-012	B,L	CUSHION ASSEMBLY - Back, left	1	28-7325001 to 28-7525322 incl.	
	96806-012	F,H,K	CUSHION ASSEMBLY - Back, left	1		
	79337-016	C,F	CUSHION ASSEMBLY - Back, left	1		
	99727-007	B,D	CUSHION ASSEMBLY - Back, right	1		
	99727-020	D,J	CUSHION ASSEMBLY - Back, right	1		
	99727-015	F,G	CUSHION ASSEMBLY - Back, right	1		
	99727-025	E,F	CUSHION ASSEMBLY - Back, right	1		
	96806-024	B,D	CUSHION ASSEMBLY - Back, right	1		
	96806-022	B,D	CUSHION ASSEMBLY - Back, right	1		
	96806-023	F,H,K	CUSHION ASSEMBLY - Back, right	1		
	96806-012	D,J	CUSHION ASSEMBLY - Back, right	1		
	79337-017	C,F	CUSHION ASSEMBLY - Back, right	1		
	Note: Refer to Figure 28B or 28C if vertically adjustable front seats are installed.					
	A - Used on PA-28-140 with serial numbers 28-7125001 and up, PA-28-180 with serial numbers 28-7105001 and up, PA-28-235 with serial numbers 28-7110001 and up, PA-28R-180 with serial numbers 28R-7130001 and up, and PA-28R-200 with serial numbers 28R-7135001 and up.					
B - Used on PA-28-140 airplanes only.						
C - Used on PA-28-140 with serial numbers 28-7525323 and up, PA-28-180 with serial numbers 28-7505235 and up, PA-28-235 with serial numbers 28-7610096 and up, and PA-28R-200 with serial numbers 28R-7535299 and up.						
D - When ordering, specify color red, blue, beige gold or green.						
E - Used on PA-28R-200 airplanes only.						
F - When ordering, specify color red, blue/green, gold, green, black, white, blue, Navajo sepia, Navajo cactus or yellow/dark red. Specify trim color black or camel on 1977 and up model aircraft.						
G - Used on PA-28-180 with serial numbers 28-7205001 to 28-7205328 inclusive, and PA-28-235 with serial numbers 28-7210001 to 28-7210033 inclusive.						
H - Used on PA-28R-200 with serial numbers 28R-7335001 to 28R-7535298 inclusive.						
J - Used on PA-28-140 Flite Liner only.						
K - Used on PA-28-180 with serial numbers 28-7305001 to 28-7505234 inclusive, and PA-28-235 with serial numbers 28-7310001 to 28-7610095 inclusive.						
L - When ordering, specify color red, blue, gold, green.						

When ordering, always specify Part Number, Description, and Serial Number of Aircraft

PIPER PARTS CATALOG

Figure and Index Number	Part Number	Code	NOMENCLATURE	No. Req.	SERIAL NUMBERS AFFECTED	
28A-2a	99093-000	B,J	** FRAME ASSEMBLY - Back, left and right			
	99093-000	C,J	** FRAME ASSEMBLY - Back, left and right			
	99093-007	D,J	** FRAME ASSEMBLY - Back, left	1	28R-7235001 to 28R-7235330 incl.	
	96810-002	E,J	** FRAME ASSEMBLY - Back, left	1		
	79555-000	F,J	** FRAME ASSEMBLY - Back, left	1		
	99093-007	G,J	** FRAME ASSEMBLY - Back, right	1		
	99093-000	H,J	** FRAME ASSEMBLY - Back, right	1	28-7225001 to 28-7225612 incl. 28-7325001 to 28-7525322 incl.	
	96810-002	H,J	** FRAME ASSEMBLY - Back, right	1		
	96810-003	E,J	** FRAME ASSEMBLY - Back, right	1		
	79555-001	F,J	** FRAME ASSEMBLY - Back, right	1		
	-2b	453-732	F,J	*** BUSHING - Seat back, right	1	
	<p>Note: Refer to Figure 28B or 28C if vertically adjustable front seats are installed.</p> <p>A - Used on PA-28-140 with serial numbers 28-7125001 and up, PA-28-180 with serial numbers 28-7105001 and up, PA-28-235 with serial numbers 28-7110001 and up, PA-28R-180 with serial numbers 28R-7130001 and up, and PA-28R-200 with serial numbers 28R-7135001 and up.</p> <p>B - Used on PA-28-140 with serial numbers 28-7125001 to 28-7125651 inclusive, PA-28-180 with serial numbers 28-7105001 to 28-7105244 inclusive, PA-28-235 with serial numbers 28-7110001 to 28-7110042 inclusive, PA-28R-180 with serial numbers 28R-7130001 to 28R-7130019 inclusive, and PA-28R-200 with serial numbers 28R-7135001 to 28R-7135238 inclusive.</p> <p>C - Used on PA-28-140 with serial numbers 28-7225001 to 28-7225612 inclusive, PA-28-180 with serial numbers 28-7205001 to 28-7205328 inclusive, and PA-28-235 with serial numbers 28-7210001 to 28-7210033 inclusive.</p> <p>D - Used on PA-28R-200 airplanes only.</p> <p>E - Used on PA-28-140 with serial numbers 28-7325001 to 28-7525322 inclusive, PA-28-180 with serial numbers 28-7305001 to 28-7505234 inclusive, PA-28-235 with serial numbers 28-7310001 to 28-7610095 inclusive, and PA-28R-200 with serial numbers 28R-7335001 to 28R-7535298 inclusive.</p> <p>F - Used on PA-28-140 with serial numbers 28-7525323 and up, PA-28-180 with serial numbers 28-7505235 and up, PA-28-235 with serial numbers 28-7610096 and up, and PA-28R-200 with serial numbers 28R-7535299 and up.</p> <p>G - Used on PA-28-140 with serial numbers 28-7225001 to 28-7225612 inclusive, PA-28-180 with serial numbers 28-7205001 to 28-7205328 inclusive, PA-28-235 with serial numbers 28-7210001 to 28-7210033 inclusive, and PA-28R-200 with serial numbers 28R-7235001 to 28R-7235330 inclusive.</p> <p>H - Used on PA-28-140 Flite Liner only.</p> <p>J - Reference latest revision to Service Letter 861 on Forward Facing Seat Back Modifications using Kit No. 763-890. Used on PA-28-140 aircraft with serial numbers 28-7325001 to 28-7725290 inclusive, PA-28-180 with serial numbers 28-7305001 to 28-7505259 inclusive, PA-28R-200 with serial numbers 28R-7235001 to 28R-7635545 inclusive and PA-28-235 with serial numbers 28-7310001 to 28-7710089 inclusive.</p>					

PA-28-140
PA-28-180
PA-28-235
PA-28R-180
PA-28R-200

When ordering, always specify Part Number, Description, and Serial Number of Aircraft

PIPER PARTS CATALOG

Figure and Index Number	Part Number	Code	NOMENCLATURE	No. Req.	SERIAL NUMBERS AFFECTED	
28A-2c	78041-003	F,G,J	** COVER - Seat back, right	1	28-7325001 to 28-7425279 incl.	
	78041-003	E,F,G	** COVER - Seat back, right	1		
	78041-008	F,J	** COVER - Seat back, right	1	28-7425280 to 28-7525322 incl.	
	78041-008	F,H	** COVER - Seat back, right	1		
-2d	69669-013		*** PLACARD - Seat back release, left	1		
	69669-014		*** PLACARD - Seat track release, right	1		
-2e	99678-000	B,C,D	** COVER - Seat release, inboard, red	1		
	99678-002	B,D	** COVER - Seat release, inboard, blue/green	1		
	99678-004	B,C,D	** COVER - Seat release, inboard, tan	1		
	99678-006	B,D	** COVER - Seat release, inboard, black	1		
	99678-008	B,D	** COVER - Seat release, inboard, white	1		
	99678-010	B,C,D	** COVER - Seat release, inboard, green	1		
	99678-012	C	** COVER - Seat release, inboard, blue	1		
	99678-001	B,C,D	** COVER - Seat release, outboard, red	1		
	99678-003	B,D	** COVER - Seat release, outboard, blue/green	1		
	99678-005	B,C,D	** COVER - Seat release, outboard, tan	1		
	99678-007	B,D	** COVER - Seat release, outboard, black	1		
	99678-009	B,D	** COVER - Seat release, outboard, white	1		
	99678-011	B,C,D	** COVER - Seat release, outboard, green	1		
	99678-013	C	** COVER - Seat release, outboard, blue	1		
				<p>Note: Refer to Figure 28B or 28C if vertically adjustable front seats are installed.</p> <p>A - Used on PA-28-140 with serial numbers 28-7125001 and up, PA-28-180 with serial numbers 28-7105001 and up, PA-28-235 with serial numbers 28-7110001 and up, PA-28R-180 with serial numbers 28R-713000 and up, and PA-28R-200 with serial numbers 28R-7135001 and up.</p> <p>B - Used on PA-28-180 with serial numbers 28-7205001 to 28-7205328 inclusive, and PA-28-235 with serial numbers 28-7210001 to 28-7210033 inclusive.</p> <p>C - Used on PA-28-140 with serial numbers 28-7225001 to 28-7225612 inclusive.</p> <p>D - Used on PA-28R-200 with serial numbers 28R-7235001 to 28R-7235330 inclusive.</p> <p>E - Used on PA-28-180 with serial numbers 28-7305001 to 28-7405139 inclusive, PA-28-235 with serial numbers 28-7310001 to 28-7410066 inclusive, and PA-28R-200 with serial numbers 28R-7335001 to 28R-7435214 inclusive.</p> <p>F - When ordering, specify color red, blue/green, gold, green, black or white.</p> <p>G - If vertically installed seat back and track handles with left and right release movement are installed, order part for PA-28-140 with serial numbers 28-7425280 to 28-7525322 inclusive, PA-28-180 with serial numbers 28-7405140 to 28-7505234 inclusive, PA-28-235 with serial numbers 28-7410067 to 28-7610095 inclusive, and PA-28R-200 with serial numbers 28R-7435215 to 28R-7535298 inclusive.</p> <p>H - Used on PA-28-180 with serial numbers 28-7405140 to 28-7505234 inclusive, PA-28-235 with serial numbers 28-7410067 to 28-7610095 inclusive, and PA-28R-200 with serial numbers 28R-7435215 to 28R-7535298 inclusive.</p> <p>J - Used on PA-28-140 airplanes only.</p>		

When ordering, always specify Part Number, Description, and Serial Number of Aircraft

PIPER PARTS CATALOG

Figure and Index Number	Part Number	Code	NOMENCLATURE	No. Req.	SERIAL NUMBERS AFFECTED
28A-2f	99681-000	B,C,D	** HANDLE - Seat release, inboard, red	1	
	99681-002	B,D	** HANDLE - Seat release, inboard, blue/green	1	
	99681-004	B,C,D	** HANDLE - Seat release, inboard, tan	1	
	99681-006	B,D	** HANDLE - Seat release, inboard, black	1	
	99681-008	B,D	** HANDLE - Seat release, inboard, white	1	
	99681-010	B,C,D	** HANDLE - Seat release, inboard, green	1	
	99681-012	C	** HANDLE - Seat release, inboard, blue	1	
	99681-001	B,C,D	** HANDLE - Seat release, outboard, red	1	
	99681-003	B,D	** HANDLE - Seat release, outboard, blue/green	1	
	99681-005	B,C,D	** HANDLE - Seat release, outboard, tan	1	
	99681-007	B,D	** HANDLE - Seat release, outboard, black	1	
	99681-009	B,D	** HANDLE - Seat release, outboard, white	1	
	99681-011	B,C,D	** HANDLE - Seat release, outboard, green	1	
99681-013	C	** HANDLE - Seat release, outboard, blue	1		
-2g	99721-002	B,C,D	** HANDLE - Seat release, inboard	1	
	99721-003	B,C,D	** HANDLE - Seat release, outboard	1	
	96815-000	E	** HANDLE - Seat release	1	
-2h	79228-000	F	** HANDLE - Seat release	1	
	79554-002	G	** KNOB - Seat back release, right	1	
<p>Note: Refer to Figure 28B or 28C if vertically adjustable front seats are installed.</p> <p>A - Used on PA-28-140 with serial numbers 28-7125001 and up, PA-28-180 with serial numbers 28-7105001 and up, PA-28-235 with serial numbers 28-7110001 and up, PA-28R-180 with serial numbers 28R-7130001 and up, and PA-28R-200 with serial numbers 28R-7135001 and up.</p> <p>B - Used on PA-28-180 with serial numbers 28-7205001 to 28-7205328 inclusive, and PA-28-235 with serial numbers 28-7210001 to 28-7210033 inclusive.</p> <p>C - Used on PA-28-140 with serial numbers 28-7225001 to 28-7225612 inclusive.</p> <p>D - Used on PA-28R-200 with serial numbers 28R-7235001 to 28R-7235330 inclusive.</p> <p>E - Used on PA-28-140 with serial numbers 28-7325001 to 28-7425279 inclusive, PA-28-180 with serial numbers 28-7305001 to 28-7405139 inclusive, PA-28-235 with serial numbers 28-7130001 to 28-7410066 inclusive, and PA-28R-200 with serial numbers 28R-7335001 to 28R-7435214 inclusive.</p> <p>F - Used on PA-28-140 with serial numbers 28-7425280 to 28-7525322 inclusive, PA-28-180 with serial numbers 28-7405140 to 28-7505234 inclusive, PA-28-235 with serial numbers 28-7410067 to 28-7610095 inclusive, and PA-28R-200 with serial numbers 28R-7435215 to 28R-7535298 inclusive.</p> <p>G - Used on PA-28-140 with serial numbers 28-7525323 and up, PA-28-180 with serial numbers 28-7505235 and up, PA-28-235 with serial numbers 28-7610096 and up, and PA-28R-200 with serial numbers 28R-7535299 and up.</p>					

PA-28-140
PA-28-180
PA-28-235
PA-28R-180
PA-28R-200

When ordering, always specify Part Number, Description, and Serial Number of Aircraft

PIPER PARTS CATALOG

Figure and Index Number	Part Number	Code	NOMENCLATURE	No. Req.	SERIAL NUMBERS AFFECTED
28A-3	99384-008	B,D	CUSHION ASSEMBLY - Bottom, left	1	28-7125001 to 28-7125651 incl.
	99727-008	B,H	CUSHION ASSEMBLY - Bottom, left	1	28-7225001 to 28-7225612 incl.
	96806-006	B,K	CUSHION ASSEMBLY - Bottom, left	1	28-7325001 to 28-7525322 incl.
	99384-010	C,E	CUSHION ASSEMBLY - Bottom, left	1	
	99727-010	F,G	CUSHION ASSEMBLY - Bottom, left	1	
	76171-002	F,L	CUSHION ASSEMBLY - Bottom, left	1	28R-7235001 to 28R-7235330
	96806-008	F,J	CUSHION ASSEMBLY - Bottom, left	1	
	79337-006	B,F	CUSHION ASSEMBLY - Bottom, left	1	28-7525323 and up
	79337-008	F,M	CUSHION ASSEMBLY - Bottom, left	1	
	99384-009	B,D	CUSHION ASSEMBLY - Bottom, right	1	28-7125001 to 28-7125651 incl.
	99727-009	B,H	CUSHION ASSEMBLY - Bottom, right	1	28-7225001 to 28-7225612 incl.
	96806-007	B,K	CUSHION ASSEMBLY - Bottom, right	1	28-7325001 to 28-7525322 incl.
	99384-011	C,E	CUSHION ASSEMBLY - Bottom, right	1	
	99727-011	F,G	CUSHION ASSEMBLY - Bottom, right	1	
	76171-003	F,L	CUSHION ASSEMBLY - Bottom, right	1	28R-7235001 to 28R-7235330 incl.
	96806-009	F,J	CUSHION ASSEMBLY - Bottom, right	1	
	79337-007	B,F	CUSHION ASSEMBLY - Bottom, right	1	28-7525323 and up
	79337-009	F,M	CUSHION ASSEMBLY - Bottom, right	1	
				<p>Note: Refer to Figure 28B or 28C if vertically adjustable front seats are installed.</p> <p>A - Used on PA-28-140 with Serial numbers 28-7125001 and up, PA-28-180 with serial numbers 28-7105001 and up, PA-28-235 with serial numbers 28-7110001 and up, PA-28R-180 with serial numbers 28R-7130001 and up, and PA-28R-200 with serial numbers 28R-7135001 and up.</p> <p>B - Used on PA-28-140 airplanes only.</p> <p>C - Used on PA-28-180 with serial numbers 28-7105001 to 28-7105244 inclusive, PA-28-235 with serial numbers 28-7110001 to 28-7110042 inclusive, PA-28R-180 with serial numbers 28R-7130001 to 28R-7130019 inclusive, and PA-28R-200 with serial numbers 28R-7135001 to 28R-7135238 inclusive.</p> <p>D - When ordering, specify color red, blue, beige or green.</p> <p>E - When ordering, specify color red, blue, beige, black, white or green.</p> <p>F - When ordering, specify color red, blue/green, gold, green, black, white, blue, Navajo sepia, Navajo cactus or yellow/dark red, specify trim color black or camel on 1977 and up model aircraft.</p> <p>G - Used on PA-28-180 with serial numbers 28-7205001 to 28-7205328 inclusive, and PA-28-235 with serial numbers 28-7210001 to 28-7210033 inclusive.</p> <p>H - When ordering, specify color red, blue, beige, gold or green.</p> <p>J - Used on PA-28-180 with serial numbers 28-7305001 to 28-7505234 inclusive, PA-28-235 with serial numbers 28-7310001 to 28-7610095 inclusive, and PA-28R-200 with serial numbers 28R-7335001 to 28R-7535298 inclusive.</p> <p>K - When ordering, specify color red, blue, gold or green.</p> <p>L - Used on PA-28R-200 airplanes only.</p> <p>M - Used on PA-28-180 with serial numbers 28-7505235 and up, PA-28-235 with serial numbers 28-7610096 and up, and PA-28R-200 with serial numbers 28R-7535299 and up.</p>	

When ordering, always specify Part Number, Description, and Serial Number of Aircraft

PA-28-140
PA-28-180
PA-28-235
PA-28R-180
PA-28R-200

PIPER PARTS CATALOG

Figure and Index Number	Part Number	Code	NOMENCLATURE	No. Req.	SERIAL NUMBERS AFFECTED
28A-3	99077-006	C	FRAME ASSEMBLY - Bottom, left	1 1 1 1 1 1 1 1 1 1 1 1	28-7325001 to 28-7525322 incl. 28-7525323 and up 28-7325001 to 28-7525322 incl. 28-7525323 and up
	99077-010	D	FRAME ASSEMBLY - Bottom, left		
	96814-000	B	FRAME ASSEMBLY - Bottom, left		
	76173-000	E	FRAME ASSEMBLY - Bottom, left		
	79536-000	B	FRAME ASSEMBLY - Bottom, left		
	79535-000	F	FRAME ASSEMBLY - Bottom, left		
	99077-007	C	FRAME ASSEMBLY - Bottom, right		
	99077-011	D	FRAME ASSEMBLY - Bottom, right		
	96814-001	B	FRAME ASSEMBLY - Bottom, right		
	76173-001	E	FRAME ASSEMBLY - Bottom, right		
	79536-001	B	FRAME ASSEMBLY - Bottom, right		
	79535-001	F	FRAME ASSEMBLY - Bottom, right		
	<p>Note: Refer to Figure 28B or 28C if vertically adjustable front seats are installed.</p> <p>A - Used on PA-28-140 with serial numbers 28-7125001 and up, PA-28-180 with serial numbers 28-7105001 and up, PA-28-235 with serial numbers 28-7110001 and up, PA-28R-180 with serial numbers 28R-7130001 and up, and PA-28R-200 with serial numbers 28R-7135001 and up.</p> <p>B - Used on PA-28-140 airplanes only.</p> <p>C - Used on PA-28-140 with serial numbers 28-7125001 to 28-7125651 inclusive, PA-28-180 with serial numbers 28-7105001 to 28-7105244 inclusive, PA-28-235 with serial numbers 28-7110001 to 28-7110042 inclusive, PA-28R-180 with serial numbers 28R-7130001 to 28R-7130019 inclusive, and PA-28R-200 with serial numbers 28R-7135001 to 28R-7135238 inclusive.</p> <p>D - Used on PA-28-140 with serial numbers 28-7225001 to 28-7225612 inclusive, PA-28-180 with serial numbers 28-7205001 to 28-7205328 inclusive, and PA-28-235 with serial numbers 28-7210001 to 28-7210033 inclusive.</p> <p>E - Used on PA-28-180 with serial numbers 28-7305001 to 28-7505234 inclusive, PA-28-235 with serial numbers 28-7310001 to 28-7610095 inclusive, and PA-28R-200 with serial numbers 28R-7235001 to 28R-7535298 inclusive.</p> <p>F - Used on PA-28-180 with serial numbers 28-7505235 and up, PA-28-235 with serial numbers 28-7610096 and up, and PA-28R-200 with serial numbers 28R-7535299 and up.</p>				

PA-28-140
PA-28-180
PA-28-235
PA-28R-180
PA-28R-200

When ordering, always specify Part Number, Description, and Serial Number of Aircraft

PIPER PARTS CATALOG

Figure and Index Number	Part Number	Code	NOMENCLATURE	No. Req.	SERIAL NUMBERS AFFECTED
28A-4	76175-02	D,J	*** PLUNGER	2	28-7325001 and up
	76175-00	H	*** PLUNGER	2	
	76175-03	B,G	*** PLUNGER	2	
-5	65003-47		*** BUSHING - Seat roller	AR	
	95061-106	E	*** BUSHING - Seat roller	AR	
-6	87332-02		*** ROLLER - Seat legs	AR	
-7	63900-54		*** BUSHING - Seat roller, aft legs (.240 L)	AR	
	79252-00	E	*** BUSHING - Seat roller, aft legs (.254 L)	AR	
	95061-161	C	*** BUSHING - Seat roller, aft legs (.248 L)	AR	
-8	452-386		*** ROLLER - Aft legs (NAS506-4)	AR	
-8a	79251-00	F	*** WASHER - Teflon	AR	
			Note: Refer to Figure 28B or 28C if vertically adjustable front seats are installed.		
			A - Used on PA-28-140 with serial numbers 28-7125001 and up, PA-28-180 with serial numbers 28-7105001 and up, PA-28-235 with serial numbers 28-7110001 and up, PA-28R-180 with serial numbers 28R-7130001 and up, and PA-28R-200 with serial numbers 28R-7135001 and up.		
			B - Used on PA-28-140 airplanes only.		
			C - Used if two pieces of tape are installed on seat frame.		
			D - Used on PA-28-140 with serial numbers 28-7125001 to 28-7225612 inclusive.		
			E - Used if rectangular Teflon washer is installed.		
			F - Used on PA-28-140 with serial numbers 28-7125001 to 28-7625235 inclusive, PA-28-180 with serial numbers 28-7105001 and up, PA-28-235 with serial numbers 28-7110001 to 28-7610138 inclusive, PA-28R-180 with serial numbers 28R-7130001 and up, and PA-28R-200 with serial numbers 28R-7135001 to 28R-7635328 inclusive.		
			G - Used on PA-28-180 with serial numbers 28-7505235 and up, PA-28-235 with serial numbers 28-7610096 and up, and PA-28R-200 with serial numbers 28R-7535299 and up.		
			H - Used on PA-28-180 with serial numbers 28-7305001 to 28-7505234 inclusive, PA-28-235 with serial numbers 28-7310001 to 28-7610095 inclusive, and PA-28R-200 with serial numbers 28R-7235001 to 28R-7535298 inclusive.		
			J - Used on PA-28-180 with serial numbers 28-7105001 to 28-7205328 inclusive, PA-28-235 with serial numbers 28-7110001 to 28-7210033 inclusive, PA-28R-180 with serial numbers 28R-7130001 to 28R-7130019 inclusive, and PA-28R-200 with serial numbers 28R-7135001 to 28R-7135238 inclusive.		
			K - Before ordering, ascertain O.D. at center of seat roller. If O.D. of roller measures .42, (2) rollers Part Number 87332-002 must be ordered. If O.D. of roller measures .62, order roller(s) as required.		

When ordering, always specify Part Number, Description, and Serial Number of Aircraft

PIPER PARTS CATALOG

Figure and Index Number	Part Number	Code	NOMENCLATURE	No. Req.	SERIAL NUMBERS AFFECTED
28A-9	50111-000	B,C	SPRING - Seat plunger	2	28-7325001 and up
	99724-000	D,E	SPRING - Seat plunger	2	
-10	587-299	G	SPRING - Seat plunger (LC-038F-6SS)	2	
	587-299	F	SPRING - Seat plunger (LC-038F-6SS)	2	
	69501-000	B,C	HANDLE - Front seat adjustment	1	
	69501-002	D,E	HANDLE - Front seat adjustment, left	1	
-10a	69501-003	D,E	HANDLE - Front seat adjustment, right	1	
	79207-000	H	HANDLE ASSEMBLY - Seat release	1	
-10b	79322-003	H	ROD	2	
-10c	690-668	H	WASHER - (NAS1149FN432P)	4	
	603-820	H	NUT - (Tinnerman C12042-012-1)	4	
-11	400-002	H	BOLT - (AN4-5A)	2	
	494-040	H	WASHER	6	
	404-530	H	NUT - (MS21042-4)	2	
	19336-000		SPRING - Seat back adjustment, inboard	1	
	19336-001		SPRING - Seat back adjustment, outboard	1	
			<p>Note: Refer to Figure 28B or 28C if vertically adjustable front seats are installed.</p> <p>A - Used on PA-28-140 with serial numbers 28-7125001 and up, PA-28-180 with serial numbers 28-7125001 and up, PA-28-235 with serial numbers 28-7110001 and up, PA-28R-200 with serial numbers 28R-7130001 and up, and PA-28R-200 with serial numbers 28R-7135001 and up.</p> <p>B - Used on PA-28-140 with serial number 28-7125001 to 28-7125651 inclusive.</p> <p>C - Used on PA-28-180 with serial numbers 28-7105001 to 28-7105244 inclusive, PA-28-235 with serial numbers 28-7110001 to 28-7110042 inclusive, PA-28R-180 with serial numbers 28R-7130001 to 28R-7130019 inclusive, and PA-28R-200 with serial numbers 28R-7135001 to 28R-7135238 inclusive.</p> <p>D - Used on PA-28-180 with serial numbers 28-7205001 to 28-7205328 inclusive, and PA-28-235 with serial numbers 28-7210001 to 28-7210033 inclusive.</p> <p>E - Used on PA-28-140 with serial numbers 28-7225001 to 28-7225612 inclusive.</p> <p>F - Used on PA-28-140 airplanes only.</p> <p>G - Used on PA-28-180 with serial numbers 28-7305001 and up, PA-28-235 with serial numbers 28-7310001 and up, and PA-28R-200 with serial numbers 28R-7235001 and up.</p> <p>H - Used on PA-28-140 with serial numbers 28-7525323 and up, PA-28-180 with serial numbers 28-7505235 and up, PA-28-235 with serial numbers 28-7610096 and up, and PA-28R-200 with serial numbers 28R-7535299 and up.</p>		

PA-28-140
PA-28-180
PA-28-235
PA-28R-180
PA-28R-200

When ordering, always specify Part Number, Description, and Serial Number of Aircraft

PIPER PARTS CATALOG

Figure and Index Number	Part Number	Code	NOMENCLATURE	No. Req.	SERIAL NUMBERS AFFECTED
28A-12	19392-015	B	TUBE - Reclining mechanism	1	
	19392-015	C	TUBE - Reclining mechanism, left	1	
	79230-000	C	TUBE - Reclining mechanism, right	1	
	79230-000	E	TUBE - Reclining mechanism	1	
	-13	19365-002		CAM - Reclining seat	2
-14	32380-000		HANDLE - Seat back adjustment, cadmium plated	1	
	79442-000		HANDLE - Seat back adjustment, black	1	
-15	406-706		PIN - Roll	4	
-15a	62833-078	D	WASHER	8	
<p>Note: Refer to Figure 28B or 28C if vertically adjustable front seats are installed.</p> <p>A - Used on PA-28-140 with serial numbers 28-7125001 and up, PA-28-180 with serial numbers 28-7105001 and up, PA-28-235 with serial numbers 28-7110001 and up, PA-28R-180 with serial numbers 28R-7130001 and up, and PA-28R-200 with serial numbers 28R-7135001 and up.</p> <p>B - Used on PA-28-140 with serial numbers 28-7125001 to 28-7525322 inclusive, PA-28-180 with serial numbers, 28-7105001 to 28-7405139 inclusive, PA-28-235 with serial numbers 28-7110001 to 28-7410068 inclusive, PA-28R-180 with serial numbers 28R-7130001 to 28R-71300019 inclusive, and PA-28R-200 with serial numbers 28R-7135001 to 28R-7435214 inclusive.</p> <p>C - Used on PA-28-180 with serial numbers 28-7405140 to 28-7505234 inclusive, PA-28-235 with serial numbers 28-7410067 to 28-7610095 inclusive, and PA-28R-200 with serial numbers 28R-7435215 to 28R-7535298 inclusive.</p> <p>D - Used on PA-28-140 with serial numbers 28-7225001 and up, PA-28-180 with serial numbers 28-7205001 and up, PA-28-235 with serial numbers 28-7210001 and up, and PA-28R-200 with serial numbers 28R-7235001 and up.</p> <p>E - Used on PA-28-140 with serial numbers 28-7525323 and up, PA-28-180 with serial numbers 28-7505235 and up, PA-28-235 with serial numbers 28-7610096 and up, and PA-28R-200 with serial numbers 28R-7535299 and up.</p>					

When ordering, always specify Part Number, Description, and Serial Number of Aircraft

PIPER PARTS CATALOG

Figure and Index Number	Part Number	Code	NOMENCLATURE	No. Req.	SERIAL NUMBERS AFFECTED
28A-15b	76178-000		* ARM ASSEMBLY	1	
-15c	76172-000	E	* BELLCRANK ASSEMBLY - Seat latch	1	
	96611-000	D	* BELLCRANK ASSEMBLY - Seat latch	1	28-7325001 to 28-7525322 incl.
-15d	76187-000		ARM ASSEMBLY - Seat release	1	
-15e	571-149	F	KNOB	1	
-16	400-916		BOLT - (AN24-26A)	2	
	690-611		WASHER - (NAS1149F0463P)	2	
	477-709		NUT - (26C-048)	2	
-16a	99718-001	B	STOP ASSEMBLY - Seat latch	1	
	99718-005	D	STOP ASSEMBLY - Seat latch	1	28-7425280 to 28-7525322 incl.
	760-740	G	KIT - Seat back stop modification		
<p>Note: Refer to Figure 28B or 28C if vertically adjustable front seats are installed.</p> <p>A - Used on PA-28-140 with serial numbers 28-7125001 and up, PA-28-180 with serial numbers 28-7105001 and up, PA-28-235 with serial numbers 28-7110001 and up, PA-28R-180 with serial numbers 28R-7130001 and up, and PA-28R-200 with serial numbers 28R-7135001 and up.</p> <p>B - Used on PA-28-140 with serial numbers 28-7225001 to 28-7425279 inclusive, PA-28-180 with serial numbers 28-7205001 to 28-7505234 inclusive, PA-28-235 with serial numbers 28-7210001 to 28-7610095 inclusive, and PA-28R-200 with serial numbers 28R-7235001 to 28R-7535298 inclusive.</p> <p>C - Used on PA-28-140 with serial numbers 28-7325001 and up, PA-28-180 with serial numbers 28-7305001 and up, PA-28-235 with serial numbers 28-7310001 and up, and PA-28R-200 with serial numbers 28R-7235001 and up.</p> <p>D - Used on PA-28-140 airplanes only.</p> <p>E - Used on PA-28-140 with serial numbers 28-7525323 and up, PA-28-180 with serial numbers 28-7305001 and up, PA-28-235 with serial numbers 28-7310001 and up, and PA-28R-200 with serial numbers 28R-7235001 and up.</p> <p>F - Used on PA-28-140 with serial numbers 28-7325001 to 28-7525322 inclusive, PA-28-180 with serial numbers 28-7305001 to 28-7505234 inclusive, PA-28-235 with serial numbers 28-7310001 to 28-7610095 inclusive, and PA-28R-200 with serial numbers 28R-7235001 to 28R-7535298 inclusive.</p> <p>G - Used on PA-28-140 aircraft with serial numbers 28-7325001 to 28-7325198 inclusive, PA-28-180 with serial numbers 28-7305001 to 28-7305197 inclusive and PA-28-235 with serial numbers 28-7310001 to 28-7310077 inclusive.</p>					

PA-28-140
PA-28-180
PA-28-235
PA-28R-180
PA-28R-200

When ordering, always specify Part Number, Description, and Serial Number of Aircraft

PIPER PARTS CATALOG

Figure and Index Number	Part Number	Code	NOMENCLATURE	No. Req.	SERIAL NUMBERS AFFECTED
28A-17	99385-000	E,F	SEAT ASSEMBLY - Rear, left	1	
	99730-000	C,G,H	SEAT ASSEMBLY - Rear, left	1	
	96827-000	H,J	SEAT ASSEMBLY - Rear, left	1	
	96827-011	B,H	SEAT ASSEMBLY - Rear, left	1	
	96827-022	D,H	SEAT ASSEMBLY - Rear, left	1	
	99385-001	E,F	SEAT ASSEMBLY - Rear, right	1	
	99730-001	C,G,H	SEAT ASSEMBLY - Rear, right	1	
	96827-001	H,J	SEAT ASSEMBLY - Rear, right	1	
	96827-012	B,H	SEAT ASSEMBLY - Rear, right	1	
	96827-023	D,H	SEAT ASSEMBLY - Rear, right	1	
			<p>Note: Refer to Figure 28B or 28C if vertically adjustable front seats are installed.</p> <p>A - Used on PA-28-140 with serial numbers 28-7125001 and up, PA-28-180 with serial numbers 28-7105001 and up, PA-28-235 with serial numbers 28-7110001 and up, PA-28R-180 with serial numbers 28R-7130001 and up, and PA-28R-200 with serial numbers 28R-7135001 and up.</p> <p>B - Used on PA-28-180 with serial numbers 28-7505047 to 28-7505261 inclusive, PA-28-235 with serial numbers 28-7510017 to 28-7710006 inclusive, and PA-28R-200 with serial numbers 28R-7535042 to 28R-7635508 inclusive.</p> <p>C - Used on PA-28-180 with serial numbers 28-7205001 to 28-7205328 inclusive, and PA-28-235 with serial numbers 28-7210001 to 28-7210033 inclusive.</p> <p>D - Used on PA-28-235 with serial numbers 28-7710007 and up, and PA-28R-200 with serial numbers 28R-7635509 and up.</p> <p>E - When ordering, specify color red, blue, beige, black, white or green.</p> <p>F - Used on PA-28-180 with serial numbers 28-7105001 to 28-7105244 inclusive, PA-28-235 with serial numbers 28-7110001 to 28-7110042 inclusive, PA-28R-180 with serial numbers 28R-7130001 to 28R-7130019 inclusive, and PA-28R-200 with serial numbers 28R-7135001 to 28R-7135238 inclusive.</p> <p>G - Used on PA-28R-200 with serial numbers 28R-7235001 to 28R-7235330 inclusive.</p> <p>H - When ordering specify color red, blue/green, gold, black, white, green, blue, Navajo sepia, Navajo cactus or yellow/dark red. Specify trim color black or camel on 1977 and up model aircraft.</p> <p>J - Used on PA-28-180 with serial numbers 28-7305001 to 28-7505046 inclusive, PA-28-235 with serial numbers 28-7310001 to 28-7510016 inclusive, and PA-28R-200 with serial numbers 28R-7335001 to 28R-7535041 inclusive.</p>		

When ordering, always specify Part Number, Description, and Serial Number of Aircraft

PIPER PARTS CATALOG

Figure and Index Number	Part Number	Code	NOMENCLATURE	No. Req.	SERIAL NUMBERS AFFECTED	
28A-18 -18a -19	99385-004	E,F	CUSHION ASSEMBLY - Back	1		
	99730-004	C,G,H	CUSHION ASSEMBLY - Back	1		
	79337-016	D,H	CUSHION ASSEMBLY - Back	1		
	99093-000	L	FRAME ASSEMBLY - Seat back	1		
	79555-000	D	FRAME ASSEMBLY - Seat back	1		
	99385-007	E,F	CUSHION ASSEMBLY - Bottom, left	1		
	99730-007	C,G,H	CUSHION ASSEMBLY - Bottom, left	1		
	96827-006	H,J	CUSHION ASSEMBLY - Bottom, left	1		
	96827-017	B,H	CUSHION ASSEMBLY - Bottom, left	1		
	96827-026	H,K	CUSHION ASSEMBLY - Bottom, left	1		
	Note: Refer to Figure 28B or 28C if vertically adjustable front seats are installed.					
	<p>A - Used on PA-28-140 with serial numbers 28-7125001 and up, PA-28-180 with serial numbers 28-7105001 and up, PA-28-235 with serial numbers 28-7110001 and up, PA-28R-180 with serial numbers 28R-7713001 and up, and PA-28R-200 with serial numbers 28R-7135001 and up.</p> <p>B - Used on PA-28-180 with serial numbers 28-7505047 to 28-7505261 inclusive, PA-28-235 with serial numbers 28-7510017 to 28-7710006 inclusive, and PA-28R-200 with serial numbers 28R-7535042 to 28R-7635508 inclusive.</p> <p>C - Used on PA-28-180 with serial numbers 28-7205001 to 28-7205328 inclusive, and PA-28-235 with serial numbers 28-7210001 to 28-7210033 inclusive.</p> <p>D - Used on PA-28-180 with serial numbers 28-7305001 and up, PA-28-235 with serial numbers 28-7310001 and up, and PA-28R-200 with serial numbers 28R-7335001 and up.</p> <p>E - When ordering, specify color red, blue, beige, black, white or green.</p> <p>F - Used on PA-28-180 with serial numbers 28-7105001 to 28-7105244 inclusive, PA-28-235 with serial numbers 28-7110001 to 28-7110042 inclusive, PA-28R-180 with serial numbers 28R-7130001 to 28R-7130019 inclusive, and PA-28R-200 with serial numbers 28R-7135001 to 28R-7135238 inclusive.</p> <p>G - Used on PA-28R-200 with serial numbers 28R-7235001 to 28R-7235330 inclusive.</p> <p>H - When ordering, specify color red, blue/green, gold, black, white, green, blue, Navajo sepia, Navajo cactus or yellow/dark red. Specify trim color black or camel on 1977 and up model aircraft.</p> <p>J - Used on PA-28-180 with serial numbers 28-7305001 to 28-7505046 inclusive, PA-28-235 with serial numbers 28-7310001 to 28-7510016 inclusive, and PA-28R-200 with serial numbers 28R-7335001 to 28R-7535041 inclusive.</p> <p>K - Used on PA-28-235 with serial numbers 28-7710007 and up, and PA-28R-200 with serial numbers 28R-7635509 and up.</p> <p>L - Used on PA-28-180 with serial numbers 28-7105001 to 28-7205328 inclusive, PA-28-235 with serial numbers 28-7110001 to 28-7210033 inclusive, PA-28R-180 with serial numbers 28R-7130001 to 28R-7130019 inclusive, and PA-28R-200 with serial numbers 28R-7135001 to 28R-7235330 inclusive.</p>					

PA-28-140
PA-28-180
PA-28-235
PA-28R-180
PA-28R-200

When ordering, always specify Part Number, Description, and Serial Number of Aircraft

PIPER PARTS CATALOG

Figure and Index Number	Part Number	Code	NOMENCLATURE	No. Req.	SERIAL NUMBERS AFFECTED
28A-19 -19a	99385-008	E,F	CUSHION ASSEMBLY - Bottom, right	1	
	99730-008	C,G,H	CUSHION ASSEMBLY - Bottom, right	1	
	96827-007	H,J	CUSHION ASSEMBLY - Bottom, right	1	
	96827-018	B,H	CUSHION ASSEMBLY - Bottom, right	1	
	96827-027	H,K	CUSHION ASSEMBLY - Bottom, right	1	
	99077-000	D	* FRAME ASSEMBLY - Seat bottom, left	1	
	99077-016	K	* FRAME ASSEMBLY - Seat bottom, left	1	
	99077-001	D	* FRAME ASSEMBLY - Seat bottom, right	1	
	99077-017	K	* FRAME ASSEMBLY - Seat bottom, right	1	
				<p>Note: Refer to Figure 28B or 28C if vertically adjustable front seats are installed.</p> <p>A - Used on PA-28-140 with serial numbers 28-7125001 and up, PA-28-180 with serial numbers 28-7105001 and up, PA-28-235 with serial numbers 28-7110001 and up, PA-28R-180 with serial numbers 28R-7130001 and up, and PA-28R-200 with serial numbers 28R-7135001 and up.</p> <p>B - Used on PA-28-180 with serial numbers 28-7505047 to 28-7505261 inclusive, PA-28-235 with serial numbers 28-7510017 to 28-7710006 inclusive, and PA-28R-200 with serial numbers 28R-7535042 to 28R-7635508 inclusive.</p> <p>C - Used on PA-28-180 with serial numbers 28-7205001 to 28-7205328 inclusive and PA-28-235 with serial numbers 28-7210001 to 28-7210033 inclusive.</p> <p>D - Used on PA-28-180 with serial numbers 28-7105001 to 28-7505261 inclusive, PA-28-235 with serial numbers 28-7110001 to 28-7710006 inclusive, PA-28R-180 with serial numbers 28R-7130001 to 28R-7130019 inclusive, and PA-28R-200 with serial numbers 28R-7135001 to 28R-7635508 inclusive.</p> <p>E - When ordering, specify color red, blue, beige, black, white or green.</p> <p>F - Used on PA-28-180 with serial numbers 28-7105001 to 28-7105244 inclusive, PA-28-235 with serial numbers 28-7110001 to 28-7110042 inclusive, PA-28R-180 with serial numbers 28R-7130001 to 28R-7130019 inclusive, and PA-28R-200 with serial numbers 28R-7135001 to 28R-7135238 inclusive.</p> <p>G - Used on PA-28R-200 with serial numbers 28R-7235001 to 28R-7235330 inclusive.</p> <p>H - When ordering, specify color red, blue/green, gold, black, white, green, blue, Navajo sepia, Navajo cactus or yellow/dark red, Specify trim color black or camel on 1977 and up model aircraft.</p> <p>J - Used on PA-28-180 with serial numbers 28-7305001 to 28-7505046 inclusive, PA-28-235 with serial numbers 28-7310001 to 28-7510016 inclusive, and PA-28R-200 with serial numbers 28R-7335001 to 28R-7535041 inclusive.</p> <p>K - Used on PA-28-235 with serial numbers 28-7710007 and up, and PA-28R-200 with serial numbers 28R-7635509 and up.</p>	

When ordering, always specify Part Number, Description, and Serial Number of Aircraft

PA-28-140
PA-28-180
PA-28-235
PA-28R-180
PA-28R-200

PIPER PARTS CATALOG

Figure and Index Number	Part Number	Code	NOMENCLATURE	No. Req.	SERIAL NUMBERS AFFECTED
28A-20	19336-000	B	SPRING - Seat back adjustment, inboard	1	
	19336-001	B	SPRING - Seat back adjustment, outboard	1	
-21	19392-015		TUBE - Reclining mechanism	1	
-22	19365-002	B	CAM - Reclining seat	2	
-23	32380-000	B	HANDLE - Seat back adjustment, cadmium plated	1	
	79442-000	C	HANDLE - Seat back adjustment, black	1	
-24	406-706	B	PIN - Roll	3	
-25	68068-000	D	FOOT - Seat attachment, rear legs	2	
	79436-000	E	FOOT - Seat attachment, rear legs	2	
-26	400-916	B	BOLT - (AN24-26A)	2	
	690-611	B	WASHER - (NAS1149F0463P)	2	
	477-709	B	NUT - (26C-048)	2	
-27	99255-000	F,G	HEADREST ASSEMBLY	4	
	99255-003	H,J,K	HEADREST ASSEMBLY	4	
<p>Note: Refer to Figure 28B or 28C if vertically adjustable front seats are installed.</p> <p>A - Used on PA-28-140 with serial numbers 28-7125001 and up, PA-28-180 with serial numbers 28-7105001 and up, PA-28-235 with serial numbers 28-7110001 and up, PA-28R-180 with serial numbers 28R-7130001 and up, and PA-28R-200 with serial numbers 28R-7135001 and up.</p> <p>B - Used on PA-28-180, PA-28-235, PA-28R-180 and PA-28R-200 airplanes only.</p> <p>C - Used on PA-28-180, PA-28-235 and PA-28R-200 airplanes only.</p> <p>D - Used on PA-28-180 with serial numbers 28-7105001 to 28-7505046 inclusive, PA-28-235 with serial numbers 28-7110001 to 28-7510016 inclusive, PA-28R-180 with serial numbers 28R-7130001 to 28R-7130019 inclusive, and PA-28R-200 with serial numbers 28R-7135001 to 28R-7535041 inclusive.</p> <p>E - Used on PA-28-180 with serial numbers 28-7505047 to 28-7505261 inclusive, PA-28-235 with serial numbers 28-7510017 to 28-7710006 inclusive, and PA-28R-200 with serial numbers 28R-7535042 to 28R-7635508 inclusive.</p> <p>F - Used on PA-28-180 with serial numbers 28-7105001 to 28-7105244 inclusive, PA-28-235 with serial numbers 28-7110001 to 28-7110042 inclusive, PA-28R-180 with serial numbers 28R-7130001 to 28R-7130019 inclusive, and PA-28R-200 with serial numbers 28R-7135001 to 28R-7135238 inclusive.</p> <p>G - When ordering, specify color red, blue, beige, black, white or green.</p> <p>H - When ordering, specify color red, blue/green, gold, black, white, green, blue, Navajo sepia, Navajo cactus or yellow/dark red. Specify trim color black or camel on 1977 and up model aircraft.</p> <p>J - Used on PA-28R-200 with serial numbers 28R-7235001 to 28R-7235330 inclusive.</p> <p>K - Used on PA-28-180 with serial numbers 28-7205001 to 28-7205328 inclusive, and PA-28-235 with serial numbers 28-7210001 to 28-7210033 inclusive.</p>					

PA-28-140
PA-28-180
PA-28-235
PA-28R-180
PA-28R-200

When ordering, always specify Part Number, Description, and Serial Number of Aircraft

PIPER PARTS CATALOG

Figure and Index Number	Part Number	Code	NOMENCLATURE	No. Req.	SERIAL NUMBERS AFFECTED	
28A-27	99255-002	C,G	HEADREST ASSEMBLY	2	28-7125001 to 28-7225612 incl.	
	96806-017	E,F,J	HEADREST ASSEMBLY	33		
	96806-026	E,F,J	HEADREST ASSEMBLY - Copilot seat	1		
	79337-018	D,F,J	HEADREST ASSEMBLY - Seat (8" high)	4		
	79764-002	B,F	HEADREST ASSEMBLY - Seat (10" high)	4		
	96806-017	E,G,H	HEADREST ASSEMBLY	1		28-7325001 and up
	96806-026	E,G,H	HEADREST ASSEMBLY - Copilot seat	1		28-7325001 and up
	79337-018	D,F,G	HEADREST ASSEMBLY - Seat (8" high)	2		28-7325001 and up
	-28	99361-000		RECEPTACLE - Headrest (1.00 dia.)		8
	-29	78044-000		RECEPTACLE - Headrest (1.88 L x .62 W)		8
	68022-014		BOOT - Seat belt attachment, black	2		
<p>Note: Refer to Figure 28B or 28C if vertically adjustable front seats are installed.</p> <p>A - Used on PA-28-140 with serial numbers 28-7125001 and up, PA-28-180 with serial numbers 28-7105001 and up, PA-28-235 with serial numbers 28-7110001 and up, PA-28R-180 with serial numbers 28R-7130001 and up, and PA-28R-200 with serial numbers 28R-7135001 and up.</p> <p>B - Used on PA-28-235 with serial numbers 28-7710001 and up, and PA-28R-200 with serial numbers 28R-7635504 and up.</p> <p>C - When ordering, specify color red, blue, beige, gold or green.</p> <p>D - Headrest assembly incorporates two round tubes (7" L) in headrest for attachment to seat back.</p> <p>E - Headrest assembly incorporates a flat steel plate (8" L) in center of headrest for attachment to seat back.</p> <p>F - When ordering, Specify color red, blue/green, gold, black, white, green, blue, Navajo sepia, Navajo cactus or yellow/dark red, Specify trim color black or camel on 1977 and up model aircraft.</p> <p>G - Used on PA-28-140 airplanes only.</p> <p>H - When ordering, specify color red, blue, gold or green.</p> <p>J - Used on PA-28-180 with serial numbers 28-7305001 and up, PA-28-235 with serial numbers 28-7310001 and up, and PA-28R-200 with serial numbers 28R-7335001 and up.</p>						

When ordering, always specify Part Number, Description, and Serial Number of Aircraft

PIPER PARTS CATALOG

Figure and Index Number	Part Number	Code	NOMENCLATURE	No. Req.	SERIAL NUMBERS AFFECTED
28A-30	551-368	B,E,F,G	BELT ASSEMBLY - Safety, front, black	2	
	551-435	C,D	BELT ASSEMBLY - Safety, front, black	2	
-31	551-374		BELT ASSEMBLY - Safety, rear, black	2	
-32	20868-000	E	CABLE ASSEMBLY - Safety belt attachment, rear side	2	
	96908-000	D	CABLE ASSEMBLY - Safety belt attachment, rear side	2	
-33	65774-000	E	CABLE ASSEMBLY - Safety belt attachment, rear center	1	
	96908-000	D	CABLE ASSEMBLY - Safety belt attachment, rear center	2	
-34	63900-053	B,E	BUSHING - Front seat safety belt attachment	4	
	63900-145	C,D	BUSHING - Front seat safety belt attachment (1.76"L)	2	
-34a	95061-180	C,D	BUSHING - Front seat safety belt attachment (.34" L), right	1	
	95061-186	C,D	BUSHING - Front seat safety belt attachment (.25" L), left	1	
-35	14843-051	E	BUSHING - Rear seat safety belt attachment	4	
	63900-149	D	BUSHING - Rear seat safety belt attachment	4	
-36	63900-024	E	BUSHING - Safety belt, rear side	2	
-37	401-265	B,E	BOLT - (AN3-7A)	2	
	401-269	C,D	BOLT - (AN3-10A) Outboard	2	
-38	400-440	E	BOLT - (AN3-6A)	4	
	401-187	D	BOLT - (AN5-7A)	4	
	407-566	D	WASHER - (AN960-516)	4	
	404-526	E	NUT - (MS21042-3)	4	
	404-531	D	NUT - (MS21042-5)	4	
<p>Note: Refer to Figure 28B or 28C if vertically adjustable front seats are installed.</p> <p>A - Used on PA-28-140 with serial numbers 28-7125001 and up, PA-28-180 with serial numbers 28-7105001 and up, PA-28-235 with serial numbers 28-7110001 and up, PA-28R-180 with serial numbers 28R-7130001 and up, and PA-28R-200 with serial numbers 28R-7135001 and up.</p> <p>B - Used on PA-28-140 with serial numbers 28-7125001 to 28-7125651 inclusive.</p> <p>C - Used on PA-28-140 with serial numbers 28-7225001 and up.</p> <p>D - Used on PA-28-180 with serial numbers 28-7205001 and up, PA-28-235 with serial numbers 28-7210001 and up, and PA-28R-200 with serial numbers 28R-7235001 and up.</p> <p>E - Used on PA-28-180 with serial numbers 28-7105001 to 28-7105244 inclusive, PA-28-235 with serial numbers 28-7110001 to 28-7110042 inclusive, PA-28R-180 with serial numbers 28R-7130001 to 28R-7130019 inclusive, and PA-28R-200 with serial numbers 28R-7135001 to 28R-7135238 inclusive.</p> <p>F - Used if shoulder harness has been installed.</p> <p>G - Ascertain vendors part number on lap belt. If 0108168-11 does not appear, also order matching Shoulder Belt Assembly, Part Number 484-224.</p>					

PA-28-140
PA-28-180
PA-28-235
PA-28R-180
PA-28R-200

When ordering, always specify Part Number, Description, and Serial Number of Aircraft

PIPER PARTS CATALOG

Figure and Index Number	Part Number	Code	NOMENCLATURE	No. Req.	SERIAL NUMBERS AFFECTED	
28A-39	401-269	E	BOLT - (AN3-10A)	2		
	400-004	D	BOLT - (AN4-7A)	2		
	690-611	D	WASHER - (NAS1149F0463P)	2		
	404-526	E	NUT - (MS21042-3)	2		
	404-530	D	NUT - (MS21042-4)	2		
-40	400-009	E	BOLT - (AN4-14A)	1		
	401-355	D	BOLT - (AN5-14A)	1		
	690-611	E	WASHER - (NAS1149F0463P)	1		
	690-628	D	WASHER - (NAS1149F0563P)	1		
	404-530	E	NUT - (MS21042-4)	1		
-41	404-531	D	NUT - (MS21042-5)	1		
	67762-002	B,C	COVER - Inertia reel, left, red	1	28-7125001 to 28-7125651 incl.	
	67762-004	B,C	COVER - Inertia reel, left, blue	1	28-7125001 to 28-7125651 incl.	
	67762-006	B,C	COVER - Inertia reel, left, tan	1	28-7125001 to 28-7125651 incl.	
	67762-010	B,C	COVER - Inertia reel, left, green	1	28-7125001 to 28-7125651 incl.	
	67762-003	B,C	COVER - Inertia reel, right, red	1	28-7125001 to 28-7125651 incl.	
	67762-005	B,C	COVER - Inertia reel, right, blue	1	28-7125001 to 28-7125651 incl.	
	67762-007	B,C	COVER - Inertia reel, right, tan	1	28-7125001 to 28-7125651 incl.	
	67762-011	B,C	COVER - Inertia reel, right green	1	28-7125001 to 28-7125651 incl.	
	69439-002	B,E	COVER - Inertia reel, left, red	1		
	69439-014	B,E	COVER - Inertia reel, left, blue/green	1		
	69439-006	B,E	COVER - Inertia reel, left, tan	1		
	69439-008	B,E	COVER - Inertia reel, left, green	1		
	69439-010	B,E	COVER - Inertia reel, left, black	1		
	69439-012	B,E	COVER - Inertia reel, left, white	1		
	69439-003	B,E	COVER - Inertia reel, right, red	1		
	69439-015	B,E	COVER - Inertia reel, right, blue/green	1		
	69439-007	B,E	COVER - Inertia reel, right, tan	1		
	69439-009	B,E	COVER - Inertia reel, right, green	1		
	69439-011	B,E	COVER - Inertia reel, right, black	1		
	69439-013	B,E	COVER - Inertia reel, right, white	1		
	<p>Note: Refer to Figure 28B or 28C if vertically adjustable front seats are installed.</p> <p>A - Used on PA-28-140 with serial numbers 28-7125001 and up, PA-28-180 with serial numbers 28-7105001 and up, PA-28-235 with serial numbers 28-7110001 and up, PA-28R-180 with serial numbers 28R-7130001 and up, and PA-28R-200 with serial numbers 28R-7135001 and up.</p> <p>B - Used if shoulder harness has been installed.</p> <p>C - Used on PA-28-140 airplanes only.</p> <p>D - Used on PA-28-180 with serial numbers 28-7205001 and up, PA-28-235 with serial numbers 28-7210001 and up, and PA-28R-200 with serial numbers 28R-7235001 and up.</p> <p>E - Used on PA-28-180 with serial numbers 28-7105001 to 28-7105244 inclusive, PA-28-235 with serial numbers 28-7110001 to 28-7110042 inclusive, PA-28R-180 with serial numbers 28R-7130001 to 28R-7130019 inclusive, and PA-28R-200 with serial numbers 28R-7135001 to 28R-7135238 inclusive.</p>					

When ordering, always specify Part Number, Description, and Serial Number of Aircraft

PA-28-140
PA-28-180
PA-28-235
PA-28R-180
PA-28R-200

PIPER PARTS CATALOG

Figure and Index Number	Part Number	Code	NOMENCLATURE	No. Req.	SERIAL NUMBERS AFFECTED
28A-42	66940-000	D,E	DOUBLER - Shoulder belt support, left	1	
	66940-001	D,E	DOUBLER - Shoulder belt support, right	1	
-43	484-224	D,F	BELT ASSEMBLY - Shoulder	2	
-44	62557-004		TRACK - Seat	4	
-45	62654-000		STOP - Seat	8	
	62654-002	H	STOP - Seat forward (2.45" L)	2	
-46	99242-002	B	BOOT ASSEMBLY - Seat belt attachment, red	1	
	99242-003	B	BOOT ASSEMBLY - Seat belt attachment, blue	1	
	99242-004	B	BOOT ASSEMBLY - Seat belt attachment, beige	1	
	99242-013	G	BOOT ASSEMBLY - Seat belt attachment, black	1	
	99242-007	B	BOOT ASSEMBLY - Seat belt attachment, green	1	
	99242-006	C	BOOT ASSEMBLY - Seat belt attachment, white	1	
<p>Note: Refer to Figure 28B or 28C if vertically adjustable front seats are installed.</p> <p>A - Used on PA-28-140 with serial numbers 28-7125001 and up, PA-28-180 with serial numbers 28-7105001 and up, PA-28-235 with serial numbers 28-7110001 and up, PA-28R-180 with serial numbers 28R-7130001 and up, and PA-28R-200 with serial numbers 28R-7135001 and up.</p> <p>B - Used on PA-28-180 with serial numbers 28-7105001 to 28-7105244 inclusive, PA-28-235 with serial numbers 28-7110001 to 28-7110042 inclusive, PA-28R-180 with serial numbers 28R-7130001 to 28R-7130019 inclusive, and PA-28R-200 with serial numbers 28R-7135001 to 28R-7135238 inclusive.</p> <p>C - Used on PA-28-180 with serial numbers 28-7105001 to 28-7405290 inclusive, PA-28-235 with serial numbers 28-7110001 to 28-7410120 inclusive, PA-28R-180 with serial numbers 28R-7130001 and up and PA-28R-200 with serial numbers 28R-7135001 to 28R-7435331 inclusive.</p> <p>D - Used on PA-28-140 with serial numbers 28-7125001 to 28-7125651 inclusive, PA-28-180 with serial numbers 28-7105001 to 28-7105244 inclusive, PA-28-235 with serial numbers 28-7110001 to 28-7110042 inclusive, PA-28R-180 with serial numbers 28R-7130001 to 28R-7130019 inclusive, and PA-28R-200 with serial numbers 28R-7135001 to 28R-7135238 inclusive.</p> <p>E - Used if shoulder harness has been installed.</p> <p>F - Ascertain vendor's part number on shoulder belt. If 0107116-9 does not appear, also order matching Lap Belt Assembly, P/N 551-368.</p> <p>G - Used on PA-28-180 with serial numbers 28-7105001 and up, PA-28-235 with serial numbers 28-7110001 and up, PA-28R-180 with serial numbers 28R-7130001 and up, and PA-28R-200 with serial numbers 28R-7135001 and up.</p> <p>H - Used on PA-28-140 with serial numbers 28-7405061 and up if vertically adjustable pilot seat is installed.</p>					

PA-28-140
PA-28-180
PA-28-235
PA-28R-180
PA-28R-200

When ordering, always specify Part Number, Description, and Serial Number of Aircraft

PIPER PARTS CATALOG

Figure and Index Number	Part Number	Code	NOMENCLATURE	No. Req.	SERIAL NUMBERS AFFECTED
28A-47 -48 -49 -50 -51	452-692	G	BELT ASSEMBLY - Shoulder, front	2	
	452-680	E	BELT ASSEMBLY - Shoulder, front	2	
	452-679	D	BELT ASSEMBLY - Shoulder, rear	2	
	95061-091	E	BUSHING - Rear belt cable attachment	1	
	486-560	E	SHACKLE - (MS20115F5)	2	
	69669-110	F	PLACARD - Seat leg release	2	
	401-265	B	BOLT - (AN3-7A)	2	
400-863	C	BOLT - (AN23-11A) Left	1		
401-269	C	BOLT - (AN3-10A) Right	1		
<p>Note: Refer to Figure 28B or 28C if vertically adjustable front seats are installed.</p> <p>A - Used on PA-28-140 with serial numbers 28-7125001 and up, PA-28-180 with serial numbers 28-7105001 and up, PA-28-235 with serial numbers 28-7110001 and up, PA-28R-180 with serial numbers 28R-7130001 and up, and PA-28R-200 with serial numbers 28R-7135001 and up.</p> <p>B - Used on PA-28-140 with serial numbers 28-7125001 to 28-7125651 inclusive, PA-28-180 with serial numbers 28-7105001 to 28-7105244 inclusive, PA-28-235 with serial numbers 28-7110001 to 28-7110042 inclusive, PA-28R-180 with serial number 28R-7130001 to 28R-7130019 inclusive, and PA-28R-200 with serial numbers 28R-7135001 to 28R-7135238 inclusive.</p> <p>C - Used on PA-28-140 with serial numbers 28-7225001 and up, PA-28-180 with serial numbers 28-7205001 and up, PA-28-235 with serial numbers 28-7210001 and up, and PA-28R-200 with serial numbers 28R-7235001 and up.</p> <p>D - Used on PA-28-140 with serial numbers 28-7225001 and up, PA-28-180 with serial numbers 28-7205001 to 28-7505259 inclusive, PA-28-235 with serial numbers 28-7210001 and up, and PA-28R-200 with serial numbers 28R-7235001 and up.</p> <p>E - Used on PA-28-180 with serial numbers 28-7205001 and up, PA-28-235 with serial numbers 28-7210001 and up, and PA-28R-200 with serial numbers 28R-7235001 and up.</p> <p>F - Used on PA-28-180 with serial numbers 28-7105001 to 28-7505261 inclusive, PA-28-235 with serial numbers 28-7110001 to 28-7110006 inclusive, PA-28R-180 with serial numbers 28R-7130001 to 28R-7130019 inclusive, and PA-28R-200 with serial numbers 28R-7135001 to 28R-7635509 inclusive.</p> <p>G - Used on PA-28-140 airplanes only.</p>					

When ordering, always specify Part Number, Description, and Serial Number of Aircraft

PA-28-140
PA-28-180
PA-28-235
PA-28R-180
PA-28R-200

THIS PAGE INTENTIONALLY LEFT BLANK

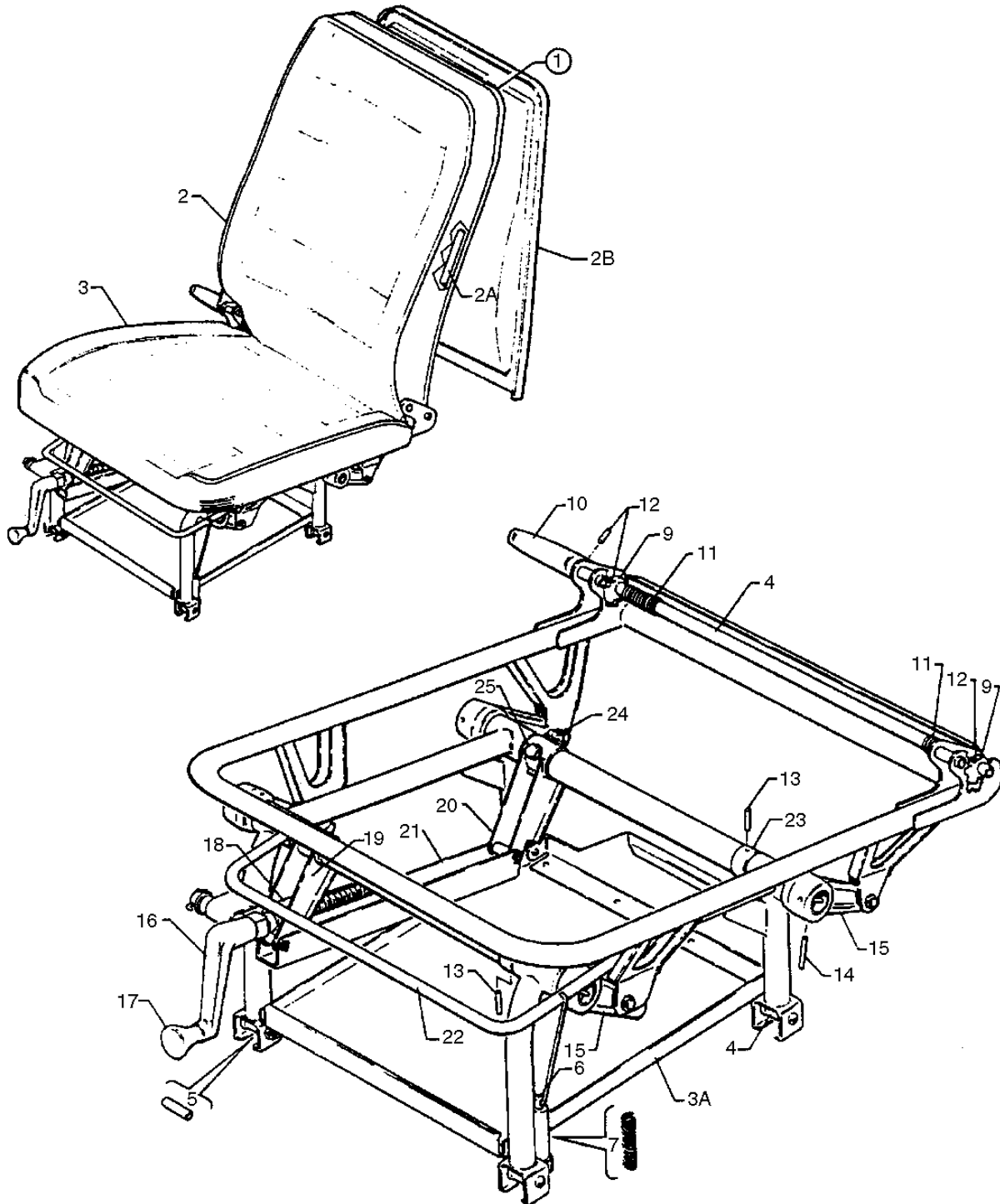


Figure 28B. Vertically Adjustable Front Seat Assembly
 (PA-28-140 - Serial Nos. 28-26401 to 28-7325684 inclusive)
 (PA-28-180 - Serial Nos. 28-5601 to 28-7305611 inclusive)
 (PA-28-235 - Serial Nos. 28-11301 to 28-7310187 inclusive)
 (PA-28R-180 - Serial Nos. 28R-31251 to 28R-7130019 inclusive)
 (PA-28R-200 - Serial Nos. 28R-35601 to 28R-7335455 inclusive)

PA-28-140
 PA-28-180
 PA-28-235
 PA-28R-180
 PA-28R-200

THIS PAGE INTENTIONALLY LEFT BLANK

PIPER PARTS CATALOG

Figure and Index Number	Part Number	Code	NOMENCLATURE	No. Req.	SERIAL NUMBERS AFFECTED	
28B-1	66984-000	C,E	SEAT ASSEMBLY - Adjustable front, left	1		
	99353-002	E,F	SEAT ASSEMBLY - Adjustable front, left	1		
	99353-014	H,J	SEAT ASSEMBLY - Adjustable front, left	1		
	66984-001	C,E	SEAT ASSEMBLY - Adjustable front, right	1		
	99353-003	E,F	SEAT ASSEMBLY - Adjustable front, right	1		
	99353-015	H,J	SEAT ASSEMBLY - Adjustable front, right	1		
	66984-002	B,D	SEAT ASSEMBLY - Adjustable front, left	1	28-26401 to 28-26956 inclusive	
	99353-000	B,G	SEAT ASSEMBLY - Adjustable front, left	1	28-7125001 to 28-7225612 incl.	
	69568-000	B,K	SEAT ASSEMBLY - Adjustable front, left	1	28-7325001 to 28-7325684 incl.	
	66984-003	B,D	SEAT ASSEMBLY - Adjustable front, right	1	28-26401 to 28-26956 inclusive	
	99353-001	B,G	SEAT ASSEMBLY - Adjustable front, right	1	28-7125001 to 28-7225612 incl.	
	69568-001	B,K	SEAT ASSEMBLY - Adjustable front, right	1	28-7325001 to 28-7325684 incl.	
	-2	66984-004	C,E	* CUSHION ASSEMBLY - Back	1	
		99353-007	E,F	* CUSHION ASSEMBLY - Back	1	
		99353-018	H,J	* CUSHION ASSEMBLY - Back	1	
		66984-005	B,D	* CUSHION ASSEMBLY - Back	1	28-26401 to 28-26956 inclusive
		99353-006	B,G	* CUSHION ASSEMBLY - Back	1	28-7125001 to 28-7225612 incl.
		96806-012	B,K	* CUSHION ASSEMBLY - Back	1	28-7325001 to 28-7325684 incl.
<p>A - Used on PA-28-140 with serial numbers 28-26401 to 28-7325684 inclusive, PA-28R-180 with serial numbers 28-5601 to 28-7205611 inclusive, PA-28R-180 with serial numbers 28R-31251 to 28R-7130019 inclusive, PA-28R-200 with serial numbers 28R-35601 to 28R-7335455 inclusive, and PA-28-235 with serial numbers 28-11301 to 28-7310187 inclusive.</p> <p>B - Used on PA-28-140 airplanes only.</p> <p>C - Used on PA-28-180 with serial numbers 28-601 to 28-5569 inclusive, PA-28-235 with serial numbers 28-11301 to 28-11393 inclusive, PA-28R-180 with serial numbers 28R-31251 to 28R-31279 inclusive, and PA-28R-200 with serial numbers 28R-35601 to 28R-35830 inclusive.</p> <p>D - When ordering, specify color red, brown, blue or beige.</p> <p>E - When ordering, specify color red, blue, beige, black, green or white.</p> <p>F - Used on PA-28-180 with serial numbers 23-7105001 to 28-7105244 inclusive, PA-28-235 with serial numbers 28-7110001 to 28-7110042 inclusive, PA-28R-180 with serial numbers 28R-7130001 to 28R-7130019 inclusive, and PA-28R-200 with serial numbers 28R-7135001 to 28R-7335455 inclusive.</p> <p>G - When ordering, specify color red, blue, beige or green.</p> <p>H - When ordering, specify color red, blue/green, gold, green, black or white.</p> <p>J - Used on PA-28-180 with serial numbers 28-7205001 to 287305611 inclusive, and PA-28-235 with serial numbers 28-7210001 to 28-7310187 inclusive.</p> <p>K - When ordering, specify color red, blue, gold or green.</p>						

When ordering, always specify Part Number, Description, and Serial Number of Aircraft

PA-28-140
PA-28-180
PA-28-235
PA-28R-180
PA-28R-200

PIPER PARTS CATALOG

Figure and Index Number	Part Number	Code	NOMENCLATURE	No. Req.	SERIAL NUMBERS AFFECTED	
28B-2a	66992-000	L	* FRAME ASSEMBLY - Seat, back	1		
	99093-000	M	* FRAME ASSEMBLY - Seat, back	1		
	96810-002	B	* FRAME ASSEMBLY - Seat, back	1	28-7325001 to 28-7325684 incl.	
	-2b 78041-000	B,K	* COVER - Seat back	1	28-7325001 to 28-7325684 incl.	
-3	66984-006	C,E	CUSHION ASSEMBLY - Bottom, left	1		
	99353-010	E,F	CUSHION ASSEMBLY - Bottom, left	1		
	99353-019	H,J	CUSHION ASSEMBLY - Bottom, left	1		
	66984-007	C,E	CUSHION ASSEMBLY - Bottom, right	1		
	99353-011	E,F	CUSHION ASSEMBLY - Bottom, right	1		
	99353-020	H,J	CUSHION ASSEMBLY - Bottom, right	1		
	66984-008	B,D	CUSHION ASSEMBLY - Bottom, left	1	28-26401 to 28-26956 inclusive	
	99353-008	B,G	CUSHION ASSEMBLY - Bottom, left	1	28-7125001 to 28-7225612 incl.	
	69568-004	B,K	CUSHION ASSEMBLY - Bottom, left	1	28-7325001 to 28-7325684 incl.	
	66984-009	B,D	CUSHION ASSEMBLY - Bottom, right	1	28-26401 to 28-26956 inclusive	
	99353-009	B,G	CUSHION ASSEMBLY - Bottom, right	1	28-7125001 to 28-7225612 incl.	
	69568-005	B,K	CUSHION ASSEMBLY - Bottom, right	1	28-7325001 to 28-7325684 incl.	
				<p>A - Used on PA-28-140 with serial numbers 28-26401 to 28-7325684 inclusive, PA-28-180 with serial numbers 28-5601 to 28-7305611 inclusive, PA-28R-180 with serial numbers 28R-31251 to 28R-7335455 inclusive PA-28R-200 with serial numbers 28R-35601 to 28R-7135238 inclusive and PA-28-235 with serial numbers 28-11301 to 28-7310187 inclusive.</p> <p>B - Used on PA-28-140 airplanes only.</p> <p>C - Used on PA-28-180 with serial numbers 28-5601 to 28-5869 inclusive, PA-28-235 with serial numbers 28-11301 to 28-11393 inclusive, PA-28R-180 with serial numbers 28R-31251 to 28R-31279 inclusive, and PA-28R-200 with serial numbers 28R-35601 to 28R-35830 inclusive.</p> <p>D - When ordering, specify color red, brown, blue or beige.</p> <p>E - When ordering, specify color red, blue, beige, black, green or white.</p> <p>F - Used on PA-28-180 with serial numbers 28-7105001 to 28-7105244 inclusive, PA-28-235 with serial number 28-7110001 to 28-7110042 inclusive, PA-28R-180 with serial numbers 28R-7130001 to 28R-7130019 inclusive, and PA-28R-200 with serial numbers 28R-7135001 to 28R-7335455 inclusive.</p> <p>G - When ordering, specify color red, blue, beige or green.</p> <p>H - When ordering, specify color red, blue/green, gold, green, black or white.</p> <p>J - Used on PA-28-180 with serial numbers 28-7205001 to 28-7305611 inclusive, and PA-28-235 with serial numbers 28-7210001 to 28-7310187 inclusive.</p> <p>K - When ordering, specify color red, blue, gold or green.</p> <p>L - Used on PA-28-140 with serial numbers 28-26401 to 28-26956 inclusive, PA-28-180 with serial numbers 28-5601 to 28-5869 inclusive, PA-28-235 with serial numbers 28-11301 to 28-11393 inclusive, PA-28R-180 with serial numbers 28R-31251 to 28R-31279 inclusive, and PA-28R-200 with serial numbers 28R-35601 to 28R-35830 inclusive.</p> <p>M - Used on PA-28-140 with serial numbers 28-7125001 to 28-7225612 inclusive, PA-28-180 with serial numbers 28-7105001 to 28-7305611 inclusive, PA-28-235 with serial numbers 28-7110001 to 28-7310187 inclusive, PA-28R-180 with serial numbers 28R-7130001 to 28R-7130019 inclusive, and PA-28R-200 with serial numbers 28R-7135001 to 28R-7335433 inclusive.</p>		

PA-28-140
PA-28-180
PA-28-235
PA-28R-180
PA-28R-200

When ordering, always specify Part Number, Description, and Serial Number of Aircraft

PIPER PARTS CATALOG

Figure and Index Number	Part Number	Code	NOMENCLATURE	No. Req.	SERIAL NUMBERS AFFECTED	
28B-3a	26824 000	E	FRAME ASSEMBLY - Seat bottom, left	1		
	26824-001	B,E	FRAME ASSEMBLY - Seat bottom, right	1		
	99305-008	C,E	FRAME ASSEMBLY - Seat bottom, left	1		
	99305-009	C,E	FRAME ASSEMBLY - Seat bottom, right	1		
	-4	87332-002		ROLLER - Seat	4	
	-5	65003-047		BUSHING - Seat roller	4	
	-6	76175-002		PLUNGER - Seat	2	
	-7	50111-000		SPRING - Seat plunger	2	
		19392-015		TUBE - Reclining mechanism	1	
	-9	19365-002		CAM - Reclining seat	2	
	-10	32380-000		HANDLE - Seat back adjustment	1	
	-11	19336-000		SPRING - Seat back adjustment, inboard	1	
		19336-001		SPRING - Seat back adjustment, outboard	1	
	-12	406-706		PIN - Roll	3	
	-13	480-727		PIN - Roll	2	
	-14	480-030		PIN - Roil	10	
	-15	27018-000		ARM - Seat adjusting	4	
	-16	26653-000		HANDLE ASSEMBLY - Seat vertical adjustment	1	
	-17	571-131		KNOB	1	
	-18	26952-000		BLOCK - Seat adjustment	1	
	-19	26965-000		ANGLE ASSEMBLY - Seat adjustment, front	1	
	-20	26965-002		ANGLE ASSEMBLY - Seat adjustment, rear	1	
	-21	26961-000		CHANNEL - Seat adjustment	1	
	-22	26966-000		TUBE - Seat catch release	1	
	-23	26953-000		BUSHING - Seat	2	
-24	27244-000		BOLT - Special	1		
	690-611		WASHER - (NAS1149F0463P)	2		
	404-530		NUT - (MS21042-4)	1		
-25	401-315		BOLT - (AN4-15A)	1		
	27245-000		WASHER - Special	4		
	404-530		NUT - (MS21042-4)	1		
			A - Used on PA-28-140 with serial numbers 28-26401 to 28-7325684 inclusive, PA-28-180 with serial numbers 28-5601 to 28-7305611 inclusive, PA-28R-180 with serial numbers 28R-31251 to 28R-7130019 inclusive, PA-28R-200 with serial numbers 28R-35601 to 28R-7335455 inclusive, and PA-28-235 with serial numbers 28-11301 to 28-7310187 inclusive.			
			B - Used on PA-28-140 with serial numbers 28-26401 to 28-25956 inclusive, PA-28-180 with serial numbers 28-5601 to 28-5869 inclusive, PA-28-235 with serial numbers 28-11301 to 28-11393 inclusive, PA-28R-180 with serial numbers 28R-31251 to 28R-31279 inclusive, and PA-28R-200 with serial numbers 28R-35601 to 28R-35530 inclusive.			
			C - Used on PA-28-140 with serial numbers 28-7125001 to 28-7325684 inclusive, PA-28-180 with serial numbers 28-7105001 to 28-7305611 inclusive, PA-28-235 with serial numbers 28-7110001 to 28-7310187 inclusive, PA-28R-180 with serial numbers 28R-7130001 to 28R-7130019 inclusive, and PA-28R-200 with serial numbers 28R-7135001 to 28R-7310187 inclusive.			
			D - Before ordering, ascertain O.D. at center of seat roller. If O.D. of roller measures .42, (2) rollers Part Number 87332-002 must be ordered. If O.D. of roller measures .62 order roller(s) as required.			
			E - Refer to latest revision of Piper Service Bulletin 337 for Vertically Adjustable Seat Frame Tube Replacement Kit 760-532.			

When ordering, always specify Part Number, Description, and Serial Number of Aircraft

PA-28-140
PA-28-180
PA-28-235
PA-28R-180
PA-28R-200

THIS PAGE INTENTIONALLY LEFT BLANK

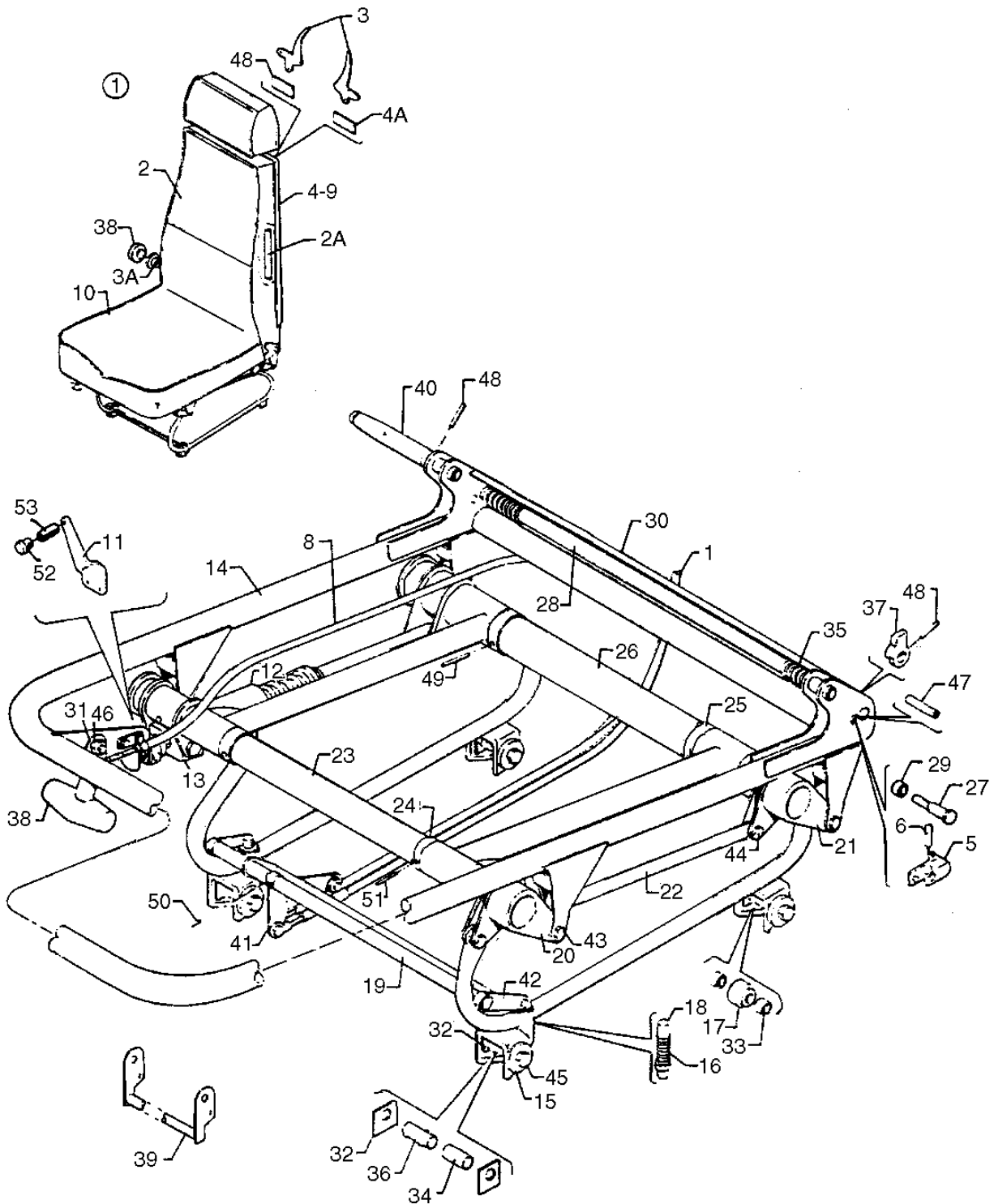


Figure 28C. Vertically Adjustable Front Seat Assembly
 (PA-28-140 - Serial Nos. 28-7425061 and up)
 (PA-28-180 - Serial Nos. 28-7405035 and up)
 (PA-28-235 - Serial Nos. 28-7410027 and up)
 (PA-28R-200 - Serial Nos. 28R-7435035 and up)

PA-28-140
 PA-28-180
 PA-28-235
 PA-28R-200

THIS PAGE INTENTIONALLY LEFT BLANK

PIPER PARTS CATALOG

Figure and Index Number	Part Number	Code	NOMENCLATURE	No. Req.	SERIAL NUMBERS AFFECTED
28C-1	79591-002	B,D	SEAT ASSEMBLY - Adjustable front, left	1	28-7425061 to 28-7525322 incl.
	79590-002	C,D	SEAT ASSEMBLY - Adjustable front, left	1	
	79591-003	B,D	SEAT ASSEMBLY - Adjustable front, right	1	
	79590-003	C,D	SEAT ASSEMBLY - Adjustable front, right	1	
-2	96806-012	D,E,G	* CUSHION ASSEMBLY - Back, left	1	
	79337-016	D,F	* CUSHION ASSEMBLY - Back, left	1	
	96806-023	D,H,G	* CUSHION ASSEMBLY - Back, right	1	
	96806-022	C,D,G	* CUSHION ASSEMBLY - Back, right	1	
-2a	79337-017	D,F	* CUSHION ASSEMBLY - Back, right	1	
	96810-002	E,G	** FRAME ASSEMBLY - Seat back, left	1	
	96810-003	E,G	** FRAME ASSEMBLY - Seat back, right	1	
	79555-000	F	** FRAME ASSEMBLY - Seat back, right	1	
-3	79555-001	F	** FRAME ASSEMBLY - Seat back, right	1	
	79228-000		*** HANDLE - Seat release, right	2	
-3a	453-732		*** BUSHING - Seat back, right	1	
-3b	79554-002		KNOB - Seat back release, right	1	
			<p>A - Used on PA-28-140 with serial numbers 28-7425001 and up, PA-28-180 with serial numbers 28-7405001 and up, PA-28-235 with serial numbers 28-7410001 and up, and PA-28R-200 with serial numbers 28R-7435001 and up.</p> <p>B - Used on PA-28-180, PA-28-235 and PA-28R-200 airplanes only.</p> <p>C - Used on PA-28-140 airplanes only.</p> <p>D - When ordering, specify color red, blue/green, gold, black, white, green, blue, Navajo sepia, Navajo cactus or yellow/dark red. Specify trim color black or camel on 1977 and up model aircraft.</p> <p>E - Used on PA-28-140 with serial numbers 28-7425001 to 28-7525322 inclusive, PA-28-180 with serial numbers 28-7405001 to 28-7505234 inclusive, PA-28-235 with serial numbers 28-7410001 to 28-7610095 inclusive, and PA-28R-200 with serial numbers 28R-7435001 to 28R-7535298 inclusive.</p> <p>F - Used on PA-28-140 with serial numbers 28-7525323 and up, PA-28-180 with serial numbers 28-7505235 and up, PA-28-235 with serial numbers 28-7610096 and up, and PA-28R-200 with serial numbers 28R-7535299 and up.</p> <p>G - If seat assembly incorporates a U shaped handle for the seat track releasing mechanism, order part for later serial numbers.</p> <p>H - Used on PA-28-180 with serial numbers 28-7405001 to 28-7505234 inclusive, PA-28-235 with serial numbers 28-7410001 to 28-7610095 inclusive, and PA-28R-200 with serial numbers 28R-7435001 to 28R-7535295 inclusive.</p>		

When ordering, always specify Part Number, Description, and Serial Number of Aircraft

PIPER PARTS CATALOG

Figure and Index Number	Part Number	Code	NOMENCLATURE	No. Req.	SERIAL NUMBERS AFFECTED
28C-4	78041-008	D,E,F	COVER ASSEMBLY - Seat back, right	1	
	78041-000	F,H	COVER ASSEMBLY - Seat back, right	1	
-4a	69669-013	J	* PLACARD - Seat back release	1	
-4b	69669-014	J	* PLACARD - Seat track release	1	
-5	99718-001	B,E	STOP ASSEMBLY - Seat latch, right	1	
	99718-006	G	STOP ASSEMBLY - Seat latch, right	1	
	99718-005	C	STOP ASSEMBLY - Seat latch, right	1	
-6	99719-003	D	CABLE ASSEMBLY - Seat back release (passenger operated, length 27")	1	
-7	99719-016	C	CABLE ASSEMBLY - Seat track release (passenger operated, length 40")	1	28-7425061 to 28-7825322 incl.
	99719-019	B	CABLE ASSEMBLY - Seat track release (passenger operated, length 37")	1	
-8	554-422		CABLE ASSEMBLY - Seat track release (crew operated, length 27")	1	
-9	78041-000	F	COVER ASSEMBLY - Seat back, left	1	
<p>A - Used on PA-28-140 with serial numbers 28-7425001 and up, PA-28-180 with serial numbers 28-7405001 and up, PA-28-235 with serial numbers 28-7410001 and up, and PA-28R-200 with serial numbers 28R-7435001 and up.</p> <p>B - Used on PA-28-180 with serial numbers 28-7405001 to 28-7505234 inclusive, PA-28-235 with serial numbers 28-7410001 to 28-7610095 inclusive, and PA-28R-200 with serial numbers 28R-7435001 to 28R-7535295 inclusive.</p> <p>C - Used on PA-28-140 airplanes only.</p> <p>D - Used on PA-28-140 with serial numbers 28-7425001 to 28-7525322 inclusive, PA-28-180 with serial numbers 28-7405001 to 28-7505234 inclusive, PA-28-235 with serial numbers 28-7410001 to 28-7610095 inclusive, and PA-28R-200 with serial numbers 28R-7435001 to 28R-7535298 inclusive.</p> <p>E - If seat assembly incorporates a "U" shaped handle for the seat track releasing mechanism, order part for later serial numbers.</p> <p>F - When ordering, specify color red, blue/green, gold, black, white, green or bark. Specify color "Bark I" for PA-28-140 with serial numbers 28-7725001 to 28-7725 174 inclusive, PA-28-235 with serial numbers 28-7710001 to 28-7710010 inclusive, and PA-28R-200 with serial numbers 28R-7635504 and up. Specify color "Bark II" for PA-28-140 with serial numbers 28-7715175 and up, and PA-28-235 with serial numbers 28-7710011 and up.</p> <p>G - Used on PA-28-180 with serial numbers 28-7505235 and up, PA-28-235 with serial numbers 28-7610096 and up, and PA-28R-200 with serial numbers 28R-7535299 and up.</p> <p>H - Used on PA-28-140 with serial numbers 28-7525323 and up, PA-28-180 with serial numbers 28-7505235 and up, PA-28-235 with serial numbers 28-7610096 and up, and PA-28R-200 with serial numbers 28R-7535299 and up.</p> <p>J - Used if seat back assembly incorporates handles for seat back and seat back release.</p>					

When ordering, always specify Part Number, Description, and Serial Number of Aircraft

PA-28-140
PA-28-180
PA-28-235
PA-28R-200

PIPER PARTS CATALOG

Figure and Index Number	Part Number	Code	NOMENCLATURE	No. Req.	SERIAL NUMBERS AFFECTED
28C-10	555-563	C	COVER ASSEMBLY - Seat bottom, red	1	
	555-564	C	COVER ASSEMBLY - Seat bottom, blue/green	1	
	555-565	C	COVER ASSEMBLY - Seat bottom, gold	1	
	555-568	C	COVER ASSEMBLY - Seat bottom, green	1	
	555-566	C	COVER ASSEMBLY - Seat bottom, black	1	
	555-567	B	COVER ASSEMBLY - Seat bottom, white	1	
	555-953	D	COVER ASSEMBLY - Seat bottom, red (with black trim)	1	
	558-954	D	COVER ASSEMBLY - Seat bottom, blue (with black trim)	1	
	555-955	D	COVER ASSEMBLY - Seat bottom, gold (with black trim)	1	
	555-956	D	COVER ASSEMBLY - Seat bottom, green (with black trim)	1	
	555-957	D	COVER ASSEMBLY - Seat bottom, black (with black trim)	1	
	555-884	D	COVER ASSEMBLY - Seat bottom, Navajo sepia (with camel trim)	1	
	555-885	D	COVER ASSEMBLY - Seat bottom, Navajo cactus (with camel trim)	1	
	555-886	D	COVER ASSEMBLY - Seat bottom, orange (with camel trim)	1	
	555-887	D	COVER ASSEMBLY - Seat bottom, blue/green (with camel trim)	1	
	555-888	D	COVER ASSEMBLY - Seat bottom, Navajo sepia (with black trim)	1	
	555-889	D	COVER ASSEMBLY - Seat bottom, Navajo cactus (with black trim)	1	
	555-890	D	COVER ASSEMBLY - Seat bottom, orange (with black trim)	1	
	555-891	D	COVER ASSEMBLY - Seat bottom, blue/green (with black trim)	1	
	-11	37902--08		CONTROL ASSEMBLY - Actuator	1
-12	76445-000		CONTROL ASSEMBLY - Seat adjustment (P. L. Porter Co. Part Number SL10100, Rev. B)	1	
	587-404		CONTROL ASSEMBLY - Seat adjustment (Gas Spring Corp. Part Number 06-10-080-310-025)	1	
			A - Used on PA-28-140 with serial numbers 28-7425001 and up, PA-28-180 with serial numbers 28-7405001 and up, PA-28-235 with serial numbers 28-7410001 and up, and PA-28R-200 with serial numbers 28R-7435001 and up.		
			B - Used on PA-28-140 with serial numbers 28-7425001 to 28-7425454 inclusive, PA-28-180 with serial numbers 28-7405035 to 28-7405290 inclusive, PA-28-235 with serial numbers 28-7410001 to 28-7410120 inclusive, and PA-28R-200 with serial numbers 28R-7435001 to 28R-7435331 inclusive.		
			C - Used on PA-28-140 with serial numbers 28-7425001 to 28-7625234 inclusive, PA-28-180 with serial numbers 28-7405001 and up, PA-28-235 with serial numbers 28-7410001 to 28-7610206 inclusive, and PA-28R-200 with serial numbers 28R-7435001 to 28R-7635503 inclusive.		
			D - Used on PA-28-140 with serial numbers 28-7725001 and up, PA-28R-200 with serial numbers 28R-7635504 and up, and PA-28-235 with serial numbers 28-7710001 and up.		

When ordering, always specify Part Number, Description, and Serial Number of Aircraft

PIPER PARTS CATALOG

Figure and Index Number	Part Number	Code	NOMENCLATURE	No. Req.	SERIAL NUMBERS AFFECTED
28C-13	37902-002	E	ADAPTER - Seat control	1	
	37902-006	F	ADAPTER - Seat control	1	
-14	79538-000	B,E	FRAME ASSEMBLY - Seat bottom, left	1	
	79538-001	B,E	FRAME ASSEMBLY - Seat bottom, right	1	
	79538-002	B,F	FRAME ASSEMBLY - Seat bottom, left	1	
	79538-003	B,F	FRAME ASSEMBLY - Seat bottom, right	1	
	79539-000	C,E	FRAME ASSEMBLY - Seat bottom, left	1	
	79539-001	C,E	FRAME ASSEMBLY - Seat bottom, right	1	
	79539-002	C,F	FRAME ASSEMBLY - Seat bottom, left	1	
	79539-003	C F	FRAME ASSEMBLY - Seat bottom, right	1	
-15	62833-078		* WASHER	8	
-16	587-299		* SPRING - Seat plunger (LC-038F-6SS)	2	
-17	452-386		* ROLLER - (NAS506-4)	2	
-18	76175-000		* PLUNGER	2	
-19	76172-003		* TUBE - Bellcrank	1	
-20	36856-002		* BELLCRANK ASSEMBLY - Forward (forged)	1	
-21	36857-002		* BELLCRANK ASSEMBLY - Aft (forged)	1	
-22	76342-000		* LINK ASSEMBLY - Seat	1	
-23	76343-000		* TUBE ASSEMBLY - Forward	1	
-24	76351-002		* BUSHING - Seat	2	
-25	76351-003		* BUSHING - Seat	1	
-26	76345-000	E	* TUBE ASSEMBLY - Aft	1	
	37848-002	F	* TUBE ASSEMBLY - Aft	1	
-27	79229-000		* BEARING SHAFT - Seat release, right	1	
-28	79230-000		* TUBE - Seat reclining	1	
-29	79235-000		* BUSHING - Seat back release, right	1	
-30	76176-000		* COVER - Reclining seat	1	
-31	76169-002	G	* LEVER - Seat	1	
-32	79251-000	D	* WASHER - Teflon	8	
			A - Used on PA-28-140 with serial numbers 28-7425001 and up, PA-28-180 with serial numbers 28-7405001 and up, PA-28-235 with serial numbers 28-7410001 and up, and PA-28R-200 with serial numbers 28R-7435001 and up.		
			B - Used on PA-28-180 airplanes only.		
			C - Used on PA-28-180, PA-28-235 and PA-28R-200 airplanes only.		
			D - Used on PA-28-140 with serial numbers 28-7425001 to 28-7625235 inclusive, PA-28-180 with serial numbers 28-7405001 and up, PA-28-235 with serial numbers 28-7410001 to 28-7610138 inclusive, and PA-28R-200 with serial numbers 28R-7435001 to 28-7635328 inclusive.		
			E - Used if Seat Adjustment Control Assembly 76445-000 (P. L. Porter Co. Part Number SL10100, Rev. B) is installed.		
			F - Used if Seat Adjustment Control Assembly 587-404 (Gas Spring Corp. Part Number 06-10-080-310-025) is installed.		
			G - Used on PA-28-140 with serial numbers 28-7425001 to 28-7525322 inclusive, PA-28-180 with serial numbers 28-7405001 to 28-7505234 inclusive, PA-28-235 with serial numbers 28-7410001 to 28-7610095 inclusive, and PA-28R-200 with serial numbers 28R-7435001 to 28R-7535298 inclusive.		

When ordering, always specify Part Number, Description, and Serial Number of Aircraft

PA-28-140
PA-28-180
PA-28-235
PA-28R-200

PIPER PARTS CATALOG

Figure and Index Number	Part Number	Code	NOMENCLATURE	No. Req.	SERIAL NUMBERS AFFECTED
28C-33	79252-000	E	** SPACER - Seal (.254 L)	4	
	95061-161	D	** SPACER - Seat (.248 L)	4	
-34	95061-106		** SPACER	2	
-35	19336-000		** SPRING - Seat back adjustment, left	1	
	19336-001		** SPRING - Seat back adjustment, right	1	
-36	87332-002	H	** ROLLER - Seat	2	
-37	19365-002		** CAM - Reclining seat	1	
-38	571-149		** KNOB	1	
-39	79207-000		** HANDLE ASSEMBLY - Seat release	1	
-40	32380-000		** HANDLE - Seat back adjustment, cadmium plated	1	
	79442-000		** HANDLE - Seat back adjustment, black	1	
-41	76187-000		** ARM ASSEMBLY - Seat release	1	
-42	36858-002		** ARM ASSEMBLY - Seat latch (forged)	2	
-43	424-142	B	** PIN - (MS20392-1C11)	4	
	424-172	C	** PIN - (MS20392-2C11)	4	
	690-668	B	** WASHER - (NAS1149FN432P)	4	
	690-612	C	** WASHER - (NAS1149F0363P)	4	
	424-051		** COTTER PIN - (MS24665-132)	4	
-44	424-205	F	** PIN - (MS20392-3C17)	2	
	424-204	G	** PIN - (MS20392-3C15)	2	
	690-611	F	** WASHER - Nylon - (NAS1149F0463P)	2	
	690-613	G	** WASHER - (NAS1149F0432P)	2	
	424-051		** COTTER PIN - (MS24665-132)	2	
-45	401-318		** BOLT - (AN4-20A)	4	
	477-708		** NUT - (28C-048)	4	
-46	400-002		** BOLT - (AN4-5A)	1	
	494-133		** WASHER - Nylon (1/4 I.D.)	1	
	690-613		** WASHER - (NAS1149F0432P)	1	
	404-530		** NUT - (MS21042-4)	1	
-47	480-732		** PIN - Roll (59-040-187-0937)	2	
-48	406-706		** PIN	3	
-49	480-790	B	** PIN - (MS9048-172) (1.25 L)	4	
	480-801	C	** PIN - (MS9048-173) (1.37 L)	4	
-50	480-426		** PIN - (MS171526) .50 long	3	
	480-592		** PIN - (MS9048-101) .56 long	3	
-51	480-789		** PIN - (MS9048-170)	4	
-52	471-084		* KNOB - Actuator (233)	1	
-53	37902-005		* BUSHING - Actuator	1	
			A - Used on PA-28-140 with serial numbers 28-7425001 and up, PA-28-180 with serial numbers 28-7405001 and up, PA-28-235 with serial numbers 28-7410001 and up, and PA-28R-200 with serial numbers 28R-7435001 and up.		
			B - Used if seat assembly incorporates a T knob for the seat rack releasing mechanism.		
			C - Used if seat assembly incorporates a U-shaped handle for the seat rack releasing mechanism.		
			D - Used if two pieces of tape are installed on seat frame		
			E - Used if Teflon washers are installed.		
			F - Used if a welded bell crank assembly is installed.		
			G - Used if a forged bellcrank assembly is installed.		
			H - Before ordering, ascertain O.D. at center of seat roller. If O.D. of roller measures .42, (2) rollers Part Number 87332-002 must be ordered. If O.D. of roller measures .62, order roller(s) as required.		

When ordering, always specify Part Number, Description, and Serial Number of Aircraft

THIS PAGE INTENTIONALLY LEFT BLANK

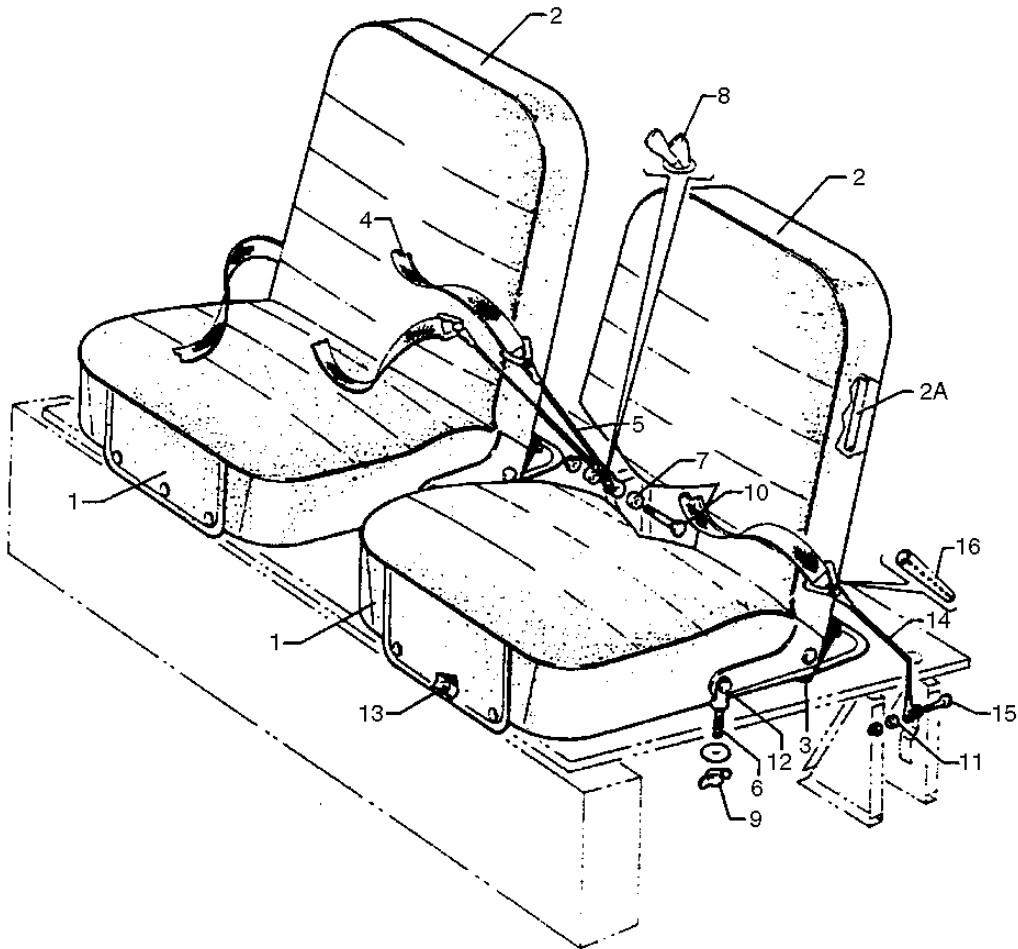


Figure 29. Rear Seat Installation

THIS PAGE INTENTIONALLY LEFT BLANK

PIPER PARTS CATALOG

Figure and Index Number	Part Number	Code	NOMENCLATURE	No. Req.	SERIAL NUMBERS AFFECTED
29-	65599 65500 66664 99360		DRAWING - Rear Seat Installation DRAWING - Rear Seat Installation DRAWING - Rear Seat Installation DRAWING - Rear Seat Installation		28-20002 to 28-20909 inclusive 28-20910 to 28-24999 inclusive 28-25000 to 28-26956 inclusive 28-7125001 and up
-1	65501-003 65501-000 65501-004 65501-002 65501-005 99359-000 99949-000	A B C D	BOTTOM ASSEMBLY - Rear seat, tan (vinyl insert) BOTTOM ASSEMBLY - Rear seat, tan (cloth, insert) BOTTOM ASSEMBLY - Rear seat, gray BOTTOM ASSEMBLY - Rear seat BOTTOM ASSEMBLY - Rear seat BOTTOM ASSEMBLY - Rear seat BOTTOM ASSEMBLY - Rear seat	2 2 2 2 2 2 2	28-20002 to 28-20909 inclusive 28-20910 to 28-21467 inclusive 28-20002 to 28-20909 inclusive 28-21468 to 28-21866 inclusive 28-21867 to 28-26956 inclusive 28-7125001 to 28-722612 incl. 28-7325001 and up
-2	65515-003 65515-000 65515-004 65515-002 65515-005 99358-000 99948-000	A B C D	BACK ASSEMBLY - Rear seat, tan (vinyl insert) BACK ASSEMBLY - Rear seat, tan (cloth insert) BACK ASSEMBLY - Rear seat, gray BACK ASSEMBLY - Rear seat BACK ASSEMBLY - Rear seat BACK ASSEMBLY - Rear seat BACK ASSEMBLY - Rear seat	2 2 2 2 2 2 2	28-20002 to 28-20909 inclusive 28-20910 to 28-21457 inclusive 28-20002 to 28-20909 inclusive 28-21468 to 28-21866 inclusive 28-21867 to 28-26956 inclusive 28-7125001 to 28-7226012 incl. 28-7325001 and up
-2a	65518-000		* FRAME ASSEMBLY - Rear seat, back	1	
-3	453-706		* BUMPER - Rubber (9102J)	2	
-4	551-374		BELT ASSEMBLY - Safely, black	2	
-5	65519-000 96908-000		CABLE ASSEMBLY - Seat belt attachment CABLE ASSEMBLY - Seat belt attachment	1 2	28-20002 to 28-7125651 incl. 28-7225001 and up
-6	65505-000		EYE BOLT - Seat attachment	4	
-7	80012-017 95061-092		BUSHING - Cable attachment BUSHING - Cable attachment	2 1	28- 20002 to 28-7125051 incl. 28-7225001 and up
-8	99242-013		BOOT ASSEMBLY - Seat belt attachment, black	1	28-7225001 and up
-9	477-657 407-801		WING NUT - (WC-040) WASHER - (AN970-4)	4 4	
-10	401-315 400-159 690-611 690-628 404-530 404-531		BOLT - (AN4-15A) BOLT - (AN5-14) WASHER - (NAS1149F0463P) WASHER - (NAS1149F0563P) NUT - (MS21042-4) NUT - (MS21042-5)	1 1 2 2 1 1	28-20002 to 28-7125651 incl. 28-7225001 and up 28-20002 to 28-7125651 incl. 28-7225001 and up 28-20002 to 28-7125651 incl. 28-7225001 and up
			A - When ordering, specify color red, brown or blue. B - When ordering, specify color red, brown, blue or beige. C - When ordering, specify color red, blue, beige or green. D - When ordering, specify color red, blue, gold, green or black.		

When ordering, always specify Part Number, Description, and Serial Number of Aircraft

PIPER PARTS CATALOG

Figure and Index Number	Part Number	Code	NOMENCLATURE	No. Req.	SERIAL NUMBERS AFFECTED
29 -11	63900-024		BUSHING	2	
-12	400-004		BOLT - (AN4-7A)	4	
	690-611		WASHER - (NAS1149F0463P)	4	
	404-530		NUT - (MS21042-4)	4	
-13	487-695		STUD - (XX10367 x 5/8")	10	
-14	65520-000		CABLE ASSEMBLY - Seat belt attachment	2	28-20002 to 28-26956 incl.
	20868-000		CABLE ASSEMBLY - Seat belt attachment	2	28-7125001 and up
-15	401-269		BOLT - (AN3-10A)	2	
	690-609		WASHER - (NAS1149F0332P)	2	
	404-526		NUT - (MS21042-3)	2	
-16	68022-014		BOOT - Seat belt attachment	2	

When ordering, always specify Part Number, Description, and Serial Number of Aircraft

PIPER PARTS CATALOG

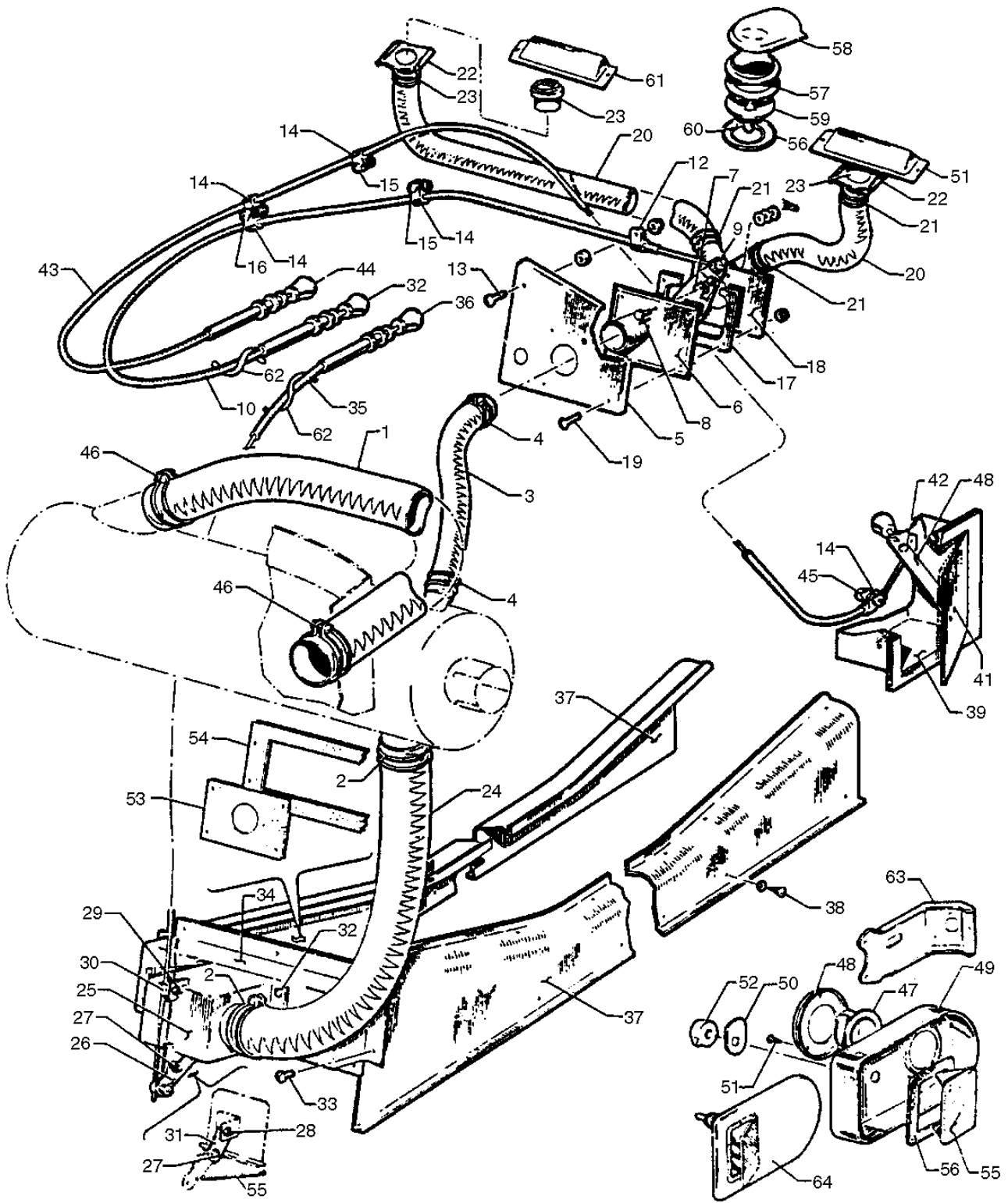


Figure 30. Cabin Heat, Defroster and Fresh Air System
 (PA-28-140 - Serial Nos. 28-20002 to 28-24999 inclusive)
 (PA-28-150-160-180 - Serial Nos. 28-1 to 28-1760 inclusive)

PA-28-140
 PA-28-150
 PA-28-160
 PA-28-180

THIS PAGE INTENTIONALLY LEFT BLANK

PIPER PARTS CATALOG

Figure and Index Number	Part Number	Code	NOMENCLATURE	No. Req.	SERIAL NUMBERS AFFECTED
30-	62958	A	DRAWING - Cabin Heat Installation		
	62957	A	DRAWING - Cabin Fresh Air Installation		
	62950	A	DRAWING - Defroster System Installation		
	65321	C	DRAWING - Defroster System Installation		28-1 to 28-1410 inclusive
	65321	D	DRAWING - Defroster System Installation		28-1411 to 28-1760 inclusive
	65553	D	DRAWING - Defroster System Installation		28-20002 to 28-21095 inclusive 28-21096 to 28-24999 inclusive
-1	63633-010	B	HOSE - Air inlet	1	28-1 to 28-1520 inclusive
	63633-007		HOSE - Air Inlet	1	28-1521 and up
-2	451-994		CLAMP - Hose (H2-1160)	2	
-3	63633-009		HOSE - Defroster air inlet	1	
-4	454-997		CLAMP - Hose (H-1-1160)	2	
-5	62959-000		PLATE - Defroster	1	
-6	21572-000		PLATE ASSEMBLY - Defroster air inlet	1	
-7	21573-000		VALVE - Defroster	1	
-8	424-140		PIN - Flat head (AN392-7)	1	
	408-813		WASHER - (3535-10-02)	1	
	690-651		WASHER - (NAS1149CN832R)	3	
	424-051		COTTER PIN - (AN380-2-2)	1	
-9	70371-000		FITTING ASSEMBLY - Swivel	2	
-10	63902-006	E	CONTROL ASSEMBLY - Defroster	1	
	63902-018	D	CONTROL ASSEMBLY - Defroster	1	28-21096 to 28-24999 inclusive
-11	63914-005	E	KNOB - Defroster cable	1	
	65617-000	D	KNOB - Defroster cable	1	28-21096 to 28-24999 inclusive
-12	80032-034		CLAMP	1	
-13	416-942		SCREW - (AN515-10R12)	1	
	63900-028		BUSHING	1	
	404-526		NUT - (MS21042-3)	1	
-14	454-887		CLAMP - (A4886S-3-1)	5	
-15	416-990		SCREW - (AN526-1032R7)	2	
	404-526		NUT - (MS21042-3)	2	
-16	417-775		SCREW - (AN520-10R8)	2	
	404-526		NUT - (MS21042-3)	2	
-17	21574-000		SPACER - Defroster air valve	1	
-18	62952-000	E	OUTLET ASSEMBLY - Defroster air	1	
	65525-000	D	OUTLET ASSEMBLY - Defroster air	1	28-21096 to 28-74999 inclusive
-19	415-150		SCREW - (AN526-632R10)	4	
	404-528		NUT - (MS21042-06)	4	
			<p>A - Used on PA-28-150, PA-28-160 and PA-28-180 with serial numbers 28-1 to 28-1760 inclusive, and PA-28-140 with serial numbers 28-20002 to 28-24999 inclusive.</p> <p>B - If Fuel Cooling Kit 756-807, 756-808 or 756-809 and has been installed, order part for serial numbers 28-1521 and up.</p> <p>C - Used on PA -28-150, PA-28-160 and PA-28-180 airplanes only.</p> <p>D - Used on PA-28-140 airplanes only.</p> <p>E - Used on PA-28-150, PA-28-160 and PA-28-180 with serial numbers 28-1 to 28-1760 inclusive, and PA-28-140 with serial numbers 28-20002 to 28-21095.</p>		

When ordering, always specify Part Number, Description, and Serial Number of Aircraft

PIPER PARTS CATALOG

Figure and Index Number	Part Number	Code	NOMENCLATURE	No. Req.	SERIAL NUMBERS AFFECTED
30 -20	63633-002		HOSE - Defroster air outlet, left		
	63633-003	A	HOSE - Defroster air outlet, right	1	28-1 to 728-1760 inclusive
	63633-003	B	HOSE - Defroster air outlet, right	1	28-20002 to 28-21114 inclusive
	63633-039	B	HOSE - Defroster air outlet, right	1	28-21115 to 28-24999 inclusive
-21	454-835		CLAMP - (C3122-20-1)	4	
-22	755-619		NUT - (C13555-017)	2	
-23	62965-000		OUTLET ASSEMBLY - Defroster air	2	28-1 to 28-1410 inclusive
	62965-004		OUTLET ASSEMBLY - Defroster air	2	28-1411 and up
-24	63633-008		HOSE - Cabin heat inlet	1	
-25	62183-000		BOX ASSEMBLY - Cabin heat	1	
-26	62964-000		LINK - Cabin air box	1	
-27	415-739		SCREW - (AN515-6R6)	2	
	404-528		NUT - (MS21042-06)	2	
-28	415-736		SCREW - (AN515-6R5)	1	
	404-528		NUT - (MS21042-06)	1	
-29	417-775		SCREW - (AN520-10R8)	1	
	404-526		NUT - (MS21042-6)	1	
-30	454-887		CLAMP - (A4886S-3-1)	1	
-31	63935-002		LINK - Cabin heat box	1	28-1 to 28-1410 inclusive
	62178-000		LINK - Flanged, cabin heat box	1	28-1411 and up
-32	415-739		SCREW - (AN515-6R6)	4	
-33	415-736		SCREW - (AN55-6R5)	10	
-34	62962-000		BOX ASSEMBLY - Distributor, cabin heat	1	
-35	63902-005	C	CONTROL ASSEMBLY - Cabin heat	1	
	63902-018	B	CONTROL ASSEMBLY - Cabin heat	1	28-21096 to 28-24999 inclusive
-36	63914-004	C	KNOB - Cabin heat cable	1	
	65617-000	B	KNOB - Cabin heat cable	1	28-21096 to 28-24999 inclusive
-37	62960-000		DUCT ASSEMBLY - Cabin heat, left	1	
	62960-001		DUCT ASSEMBLY - Cabin heat, right	1	
-38	419-682		SCREW - # 4 O.H. Sheet metal	24	
	494-001		WASHER - # 4 Finishing	24	
-39	13476-000		BOX ASSEMBLY - Cabin air	1	28-1 to 28-1520 inclusive
	62276-000		BOX ASSEMBLY - Cabin air	1	28-1521 and up
-40	13483-000		ARM ASSEMBLY - Air box valve control	1	
-41	13478-000		VALVE ASSEMBLY - Cabin air	1	
-42	415-148		SCREW - (AN526-632R6)	1	
	404-528		NUT - (MS21042-06)	2	
-43	63902-007	C	CONTROL ASSEMBLY - Cabin fresh air	1	
	63902-019	B	CONTROL ASSEMBLY - Cabin fresh air	1	28-21096 to 28-24999 inclusive
-44	63914-006	C	KNOB - Cabin fresh air cable	1	
	65617-000	B	KNOB - Cabin fresh air cable	1	28-21096 to 28-24999 inclusive

A - Used on PA-28-150, PA-28-160 and PA-28-180 with serial numbers 28-1 to 28-1760 inclusive, and PA-28-140 with serial numbers 28-20002 to 28-24999 inclusive.
 B - Used on PA-28-140 airplanes only.
 C - Used on PA-28-150, PA-28-160 and PA-28-180 with serial numbers 28-1 to 28-1760 inclusive, and PA-28-140 with serial numbers 28-20002 to 28-21095 inclusive.

When ordering, always specify Part Number, Description, and Serial Number of Aircraft

PA-28-140
PA-28-150
PA-28-160
PA-28-180

PIPER PARTS CATALOG

Figure and Index Number	Part Number	Code	NOMENCLATURE	No. Req.	SERIAL NUMBERS AFFECTED
30 -45	415-737		SCREW - (AN515-6-6)	1	
	690-640		WASHER - (NAS1149FN632P)	1	
	404-528		NUT - (MS21042-06)	1	
-46	454-994	F	CLAMP - Hose (H2-1160)	2	28-1 to 28-1520 inclusive
	454-993		CLAMP - Hose (H3-1160)	2	28-1521 and up
-47	21154-003		DEFLECTOR - Ventilator box, brown	3	28-1 to 28-1198 inclusive
	21154-004		DEFLECTOR - Ventilator box, gray	3	28-671 to 28-1198 inclusive
	63994-000	E	DEFLECTOR - Ventilator box, brown	3	
	63994-002	E	DEFLECTOR - Ventilator box, gray	3	
	63994-005	D	DEFLECTOR - Ventilator box, red	1	28-21468 to 28-24999 inclusive
	63994-006	D	DEFLECTOR - Ventilator box, blue	1	28-21468 to 28-24999 inclusive
	63994-007	D	DEFLECTOR - Ventilator box, brown	1	28-21468 to 28-24999 inclusive
	63994-008	D	DEFLECTOR - Ventilator box, tan	1	
-48	63152-000		PLATE - Ventilator air deflector	3	28-1 to 28-670 inclusive
	21156-000		PLATE - Ventilator air deflector	3	28-671 and up
-49	21162-000		BOX - Ventilator, black	3	
-50	21257-004		PLACARD - Ventilator control knob, brown	3	
	21257-003		PLACARD - Ventilator control knob, gray	3	28-671 and up
-51	419-746		SCREW - (4 x 1/2)	9	
-52	471-088	E	KNOB - Ventilator box, brown	3	28-1 to 28-1198 inclusive
	471-096	E	KNOB - Ventilator box, gray	3	28-671 to 28-1198 inclusive
	65439-002	D	KNOB - Ventilator box, red	1	28-21468 to 28-24999 inclusive
	65439-003	D	KNOB - Ventilator box, brown	1	28-21468 to 28-24999 inclusive
	65439-004	D	KNOB - Ventilator box, blue	1	28-21468 to 28-24999 inclusive
	65439-005	D	KNOB - Ventilator box, gold	1	
-53	62968-000		GASKET - Cabin heat box	1	28-118 to 28-1410 inclusive
-54	62969-000		GASKET - Distributor box	1	28-118 and up
-55	42891-000		SPRING - Box control return	1	28-118 to 28-1410 inclusive
-56	62976-000		RETAINER - Cabin exhaust vent, brown	1	28-1 to 28-1410 inclusive
	62976-002		RETAINER - Cabin exhaust vent, gray	1	28-671 to 28-1410 inclusive
	62976-003	B	RETAINER - Cabin exhaust vent, brown	1	
	62976-004	B	RETAINER - Cabin exhaust vent, gray	1	
	62976-005	C	RETAINER - Cabin exhaust vent, sand	1	
-57	62975-000		WELD ASSEMBLY - Cabin exhaust vent	1	
-58	62974-000		SCOOP - Cabin exhaust vent	1	
			A - Used on PA-28-150, PA-28-160 and PA-28-180 with serial numbers 28-1 to 28-1760 inclusive, and PA-28-140 with serial numbers 28-20002 to 28-24999 inclusive.		
			B - Used on PA-28-150, PA-28-160 and PA-28-180 with serial numbers 28-1411 to 28-1760 inclusive, and PA-28-140 with serial numbers 28-20002 to 28-21045 inclusive.		
			C - Used on PA-28-140 with serial numbers 28-21046 to 28-24999 inclusive.		
			D - Used on PA-28-140 airplanes only.		
			E - Used on PA-28-150, PA-28-160 and PA-28-180 with serial numbers 28-1199 to 28-1760 inclusive, and PA-28-140 with serial numbers 28-20002 to 28-21467 inclusive.		
			F - If Fuel Cooling Kit 756-707, 756-708 or 756-709 has been installed, order part for serial numbers 28-1521 and up.		

When ordering, always specify Part Number, Description, and Serial Number of Aircraft

PIPER PARTS CATALOG

Figure and Index Number	Part Number	Code	NOMENCLATURE	No. Req.	SERIAL NUMBERS AFFECTED
30 -59	62973-000		DISC ASSEMBLY - Cabin exhaust vent, brown	1	28-1 to 78-1410 inclusive
	62973-002		DISC ASSEMBLY - Cabin exhaust vent, gray	1	28-671 to 28-1410 inclusive
	62973-003	B	DISC ASSEMBLY - Cabin exhaust vent, brown	1	
	62973-004	B	DISC ASSEMBLY - Cabin exhaust vent, gray	1	
	62973-005	C	DISC ASSEMBLY - Cabin exhaust vent, sand	1	
-60	471-059		* KNOB - Black	1	
-61	65318-000		OUTLET - Defroster air	2	
-62	62171-000		CLIP - Cable tension	2	
-63	21409-000		BRACKET - Ventilator control mounting	3	
-64	63025-000		DOOR AND ACTUATOR ASSEMBLY - Ventilator	3	
-65	65799-000		* DOOR ASSEMBLY - Ventilator	1	
-66	21407-000		* SEAL - Ventilator door	1	
<p>A - Used on PA-28-150, PA-28-160 and PA-28-180 with serial numbers 28-1 to 28-1760 inclusive, and PA-28-140 with serial numbers 28-20002 to 28-24999 inclusive.</p> <p>B - Used on PA-28-150, PA-28-160 and PA-28-180 with serial numbers 28-1411 to 28-1760 inclusive, and PA-28-140 with serial numbers 28-20002 to 28-21045 inclusive.</p> <p>C - Used on PA-28-140 with serial numbers 28-21046 to 28-24999 inclusive.</p>					

When ordering, always specify Part Number, Description, and Serial Number of Aircraft

PA-28-140
 PA-28-150
 PA-28-160
 PA-28-180

PIPER PARTS CATALOG

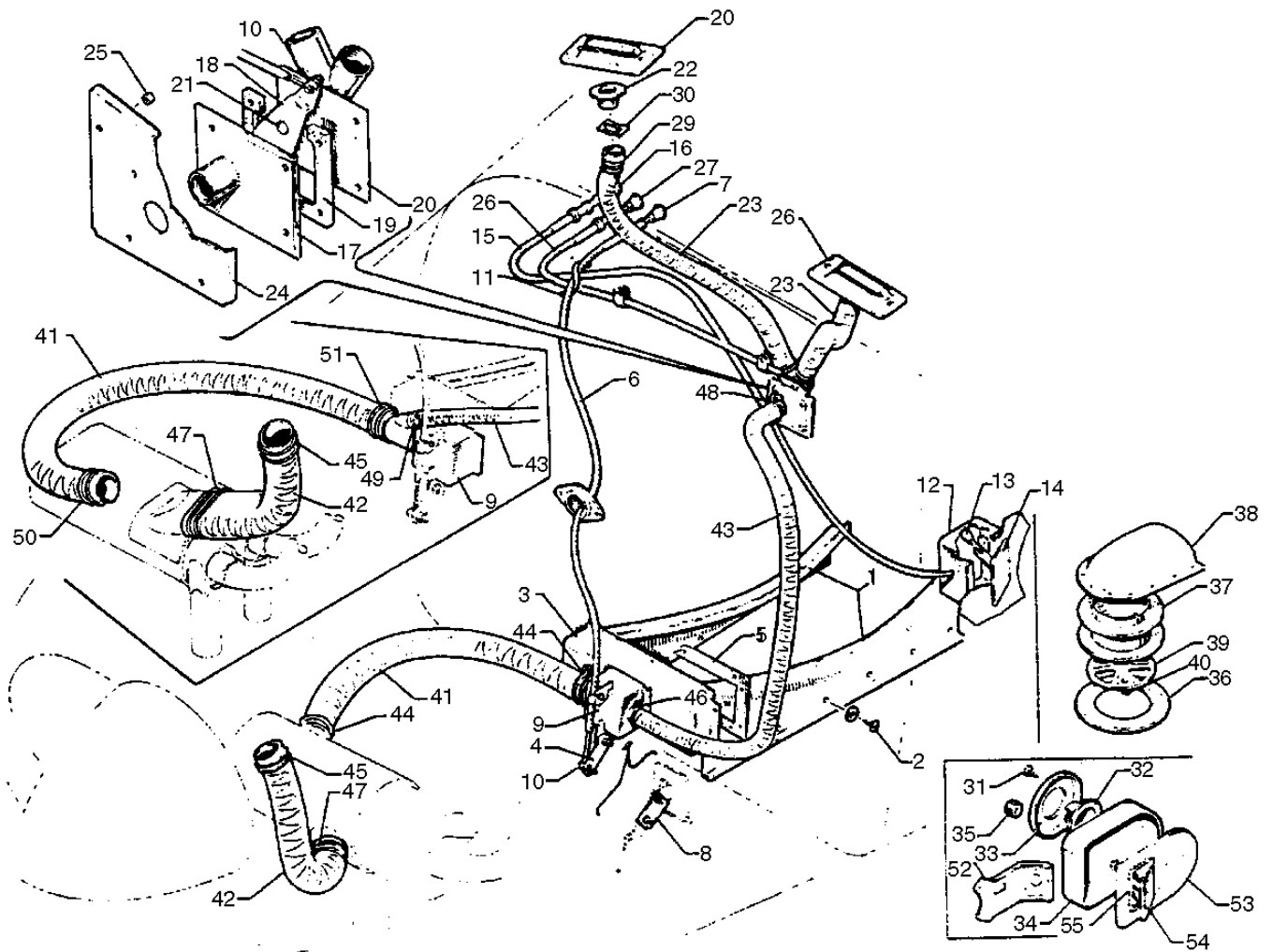


Figure 31. Cabin Heat, Defroster and Fresh Air System
 (PA-28-150-160-180 - Serial Nos. 28-1761 to 28-4377 inclusive)
 (PA-28-235 - Serial Nos. 28-10003 to 28-11039 inclusive)

PA-28-150
 PA-28-160
 PA-28-180
 PA-28-235

THIS PAGE INTENTIONALLY LEFT BLANK

PIPER PARTS CATALOG

Figure and Index Number	Part Number	Code	NOMENCLATURE	No. Req.	SERIAL NUMBERS AFFECTED
31-	65051	A	DRAWING - Cabin Heat Installation		
	62957	C	DRAWING - Cabin Fresh Air Installation		
	63095	B	DRAWING - Cabin Fresh Air Installation		
	65321	C	DRAWING - Defroster System Installation		
	63098	F	DRAWING - Defroster System Installation		
-1	62960-000		DUCT ASSEMBLY - Cabin heat, left	1	
	62960-001		DUCT ASSEMBLY - Cabin heat, right	1	
-2	419-653		SCREW - (#4 x 1/2)	24	
	494-001		WASHER - (#4)	24	
-3	62962-000		BOX ASSEMBLY - Distributor, cabin heat	1	
-4	63964-000		LINK - Cabin hot air box	1	
-5	62969-000		GASKET - Distributor box	1	
-6	63902-005	D	CONTROL ASSEMBLY - Cabin heat	1	28-10003 to 28-10675 inclusive
	63902-005	E	CONTROL ASSEMBLY - Cabin heat	1	28-1761 to 28-2627 inclusive
	63902-018	D	CONTROL ASSEMBLY - Cabin heat	1	28-10676 to 28-11039 inclusive
	63902-018	E	CONTROL ASSEMBLY - Cabin heat	1	28-2628 to 28-4377 inclusive
-7	63914-004	D	* KNOB - Cabin heat box	1	28-10003 to 28-10675 inclusive
	63914-004	E	* KNOB - Cabin heat box	1	28-1761 to 28-2627 inclusive
	65617-000	D	* KNOB - Cabin heat box	1	28-10676 to 28-11039 inclusive
	65617-000	E	* KNOB - Cabin heat box	1	28-2628 to 28-4377 inclusive
	62178-000		LINK - Cabin heat box	1	
-9	65422-000	D	BOX ASSEMBLY - Cabin heat	1	28-10003 to 28-11039 inclusive
	65422-000	E	BOX ASSEMBLY - Cabin heat	1	28-1761 to 28-3077 inclusive
	65545-000	E	BOX ASSEMBLY - Cabin heat	1	28-3078 to 281377 inclusive
-10	70371-000		FITTING ASSEMBLY - Swivel	2	
-11	62171-000		CLIP - Cable tension	2	
<p>A - Used on PA-28-150, PA-28-160 and PA-28-180 with serial numbers 28-1761 to 28-4377 inclusive, and PA-28-235 with serial numbers 28-10003 to 28-11039 inclusive.</p> <p>B - Used on PA-28-150, PA-28-160 and PA-28-180 with serial numbers 28-1761 to 28-2477 inclusive, and PA-28-235 with serial numbers 28-10487 to 28-10675 inclusive.</p> <p>C - Used on PA-28-235 with serial numbers 28- 10003 to 28-10486 inclusive.</p> <p>D - Used on PA-28-235 airplanes only.</p> <p>E - Used on PA-28-150, PA-28-160 and PA-28-180 airplanes only.</p> <p>F - Used on PA-28-150, PA-28-160 and PA-28-180 with serial numbers 28-1761 to 28-4377 inclusive, and PA-28-235 with serial numbers 28-10487 to 28-11039 inclusive.</p>					

When ordering, always specify Part Number, Description, and Serial Number of Aircraft

PA-28-150
PA-28-160
PA-28-180
PA-28-235

PIPER PARTS CATALOG

Figure and Index Number	Part Number	Code	NOMENCLATURE	No. Req.	SERIAL NUMBERS AFFECTED
31 -12	13476-000		BOX ASSEMBLY - Cabin air	1	28-10003 to 28-10232 inclusive
	62276-000	E	BOX ASSEMBLY - Cabin air	1	28-10233 to 28-10675 inclusive
	62276-000	F	BOX ASSEMBLY - Cabin air	1	28-1761 to 28-2477 inclusive
-13	13483-000		ARM ASSEMBLY - Air box valve control	1	
-14	13478-000		VALVE ASSEMBLY - Cabin air	1	
-15	63902-007	C	CONTROL ASSEMBLY - Cabin fresh air	1	
	63902-011	D	CONTROL ASSEMBLY - Cabin fresh air	1	
-16	63914-006		KNOB - Cabin fresh air	1	
-17	21572-000		PLATE ASSEMBLY - Defroster air inlet	1	
-18	67343-000		VALVE - Defroster	1	
-19	21574-000		SPACER - Defroster air valve	1	
-20	62952-000	E	OUTLET ASSEMBLY - Defroster air (with dual outlets)	1	28-10003 to 28-10675 inclusive
	65525-000	E	OUTLET ASSEMBLY - Defroster air (with dual outlets)	1	28-10676 to 2811039 inclusive
	62952-000	F	OUTLET ASSEMBLY - Defroster air (with dual outlets)	1	28-1761 to 28-2777 inclusive
	65525-000	F	OUTLET ASSEMBLY - Defroster air (with dual outlets)	1	28-2778 to 284377 inclusive
-21	424-140		PIN - Flat head (MS20392-1C7)	1	
	408-813		WASHER - (3502-10-79-0511)	1	
	690-651		WASHER - (NAS1149CN832R)	3	
	424-051		COTTER PIN - (AN380-2-2)	1	
-22	62965-004		OUTLET ASSEMBLY - Defroster air	2	
-23	63633-002		HOSE - Defroster air outlet, left	1	
	63633-003	C	HOSE - Defroster air outlet, right	1	
	63633-029	B	HOSE - Defroster air outlet, right	1	
-24	62959-000		PLATE - Defroster	1	
-25	63900-028		BUSHING	1	
			A - Used on PA-28-150, PA-28-160 and PA-28-180 with serial numbers 28-1761 to 28-4377 inclusive, and PA-28-235 with serial numbers 28-10003 to 28-11039 inclusive.		
			B - Used on PA-28-150, PA-28-160 and PA-28-180 with serial numbers 28-1761 to 284377 inclusive and PA-28-235 with serial numbers 28-10487 to 28-11039 inclusive.		
			C - Used on PA-28-235 with serial numbers 28-10003 to 28-10486 inclusive.		
			D - Used on PA-28-150, PA-28-160 and PA-28-180 with serial numbers 28-1761 to 28-2477 inclusive, and PA-28-235 with serial numbers 28-10487 to 28-10675 inclusive.		
			E - Used on PA-28-235 airplanes only.		
			F - Used on PA-28-150, PA-28-160 and PA-28-180 airplanes only.		

When ordering, always specify Part Number, Description, and Serial Number of Aircraft

PA-28-150
PA-28-160
PA-28-180
PA-28-235

PIPER PARTS CATALOG

Figure and Index Number	Part Number	Code	NOMENCLATURE	No. Req.	SERIAL NUMBERS AFFECTED
31 -26	63902-006	C	CONTROL ASSEMBLY - Defroster	1	
	63902-010	E	CONTROL ASSEMBLY - Defroster	1	28-10487 to 28-10675 inclusive
	63902-010	F	CONTROL ASSEMBLY - Defroster	1	28-1761 to 28-2627 inclusive
	63902-020	E	CONTROL ASSEMBLY - Defroster	1	28-10676 to 28-11039 inclusive
	63902-020	F	CONTROL ASSEMBLY - Defroster	1	28-2628 to 28-4377 inclusive
-27	63914-005	E	* KNOB - Defroster	1	28-10003 to 28-10675 inclusive
	63914-005	F	* KNOB - Defroster	1	28-1761 to 28-2627 inclusive
	65617-000	E	* KNOB - Defroster	1	28-10676 to 23-11039 inclusive
	65617-000	F	* KNOB - Defroster	1	28-2628 to 28-4377 inclusive
-28	65318-000		OUTLET - Defroster air	2	
-29	454-950		CLAMP - (A3122-18-1)	4	
-30	406-389	C	NUT - (C1465-017-01)	2	
-31	419-746	C,D	SCREW - (#4 x 1/2)	9	
-32	63994-000	C	DEFLECTOR - Ventilator box, brown	3	
	63994-003	C	DEFLECTOR - Ventilator box, red	3	
	63994-004	C	DEFLECTOR - Ventilator box, blue	3	
	63994-005	D	DEFLECTOR - Ventilator box, red	3	
	63994-006	D	DEFLECTOR - Ventilator box, blue	3	
	63994-007	D	DEFLECTOR - Ventilator box, brown	3	
	-33	21156-000	B	PLATE - Ventilator box deflector	3
-34	21162-000	B	BOX - Ventilator, black	3	
-35	65287-002		KNOB - Ventilator box, red	3	28-10003 to 28-10152 inclusive
	65287-003		KNOB - Ventilator box, brown	3	28-10003 to 28-10152 inclusive
	65287-004		KNOB - Ventilator box, blue	3	28-10003 to 28-10152 inclusive
	65439-002	G	KNOB - Ventilator box red	3	
	65439-003	G	KNOB - Ventilator box, brown	3	
	65439-004	G	KNOB - Ventilator box, blue	3	
			A - Used on PA-28-150, PA-28-160 and PA-28-180 with serial numbers 28-1761 to 28-4377 inclusive, and PA-28-235 with serial numbers 28-10003 to 28-11039 inclusive.		
			B - Used on PA-28-150, PA-28-160 and PA-28-180 with serial numbers 28-1761 to 23-2477 inclusive, and PA-28-235 with serial numbers 28-10003 to 28-1067 a inclusive.		
			C - Used on PA-28-235 with serial numbers 28-10003 to 283-10486 inclusive.		
			D - Used on PA-28-150, PA-28-160 and PA-28-180 with serial numbers 28-1761 to 28-2477, inclusive, and PA-28-235 with serial numbers 28-10487 to 28-10675 inclusive.		
			E - Used on PA-28-235 airplane only.		
			F - Used on PA-28-150, PA-28-160 and PA-28-180 airplanes only.		
			G - Used on PA-28-150, PA-28-160 and PA-28-180 with serial numbers 28-1761 to 28-2477 inclusive, and PA-28-235 with serial numbers 28-10153 to 28-10675 inclusive.		

When ordering, always specify Part Number, Description, and Serial Number of Aircraft

PA-28-150
PA-28-160
PA-28-180
PA-28-235

PIPER PARTS CATALOG

Figure and Index Number	Part Number	Code	NOMENCLATURE	No. Req.	SERIAL NUMBERS AFFECTED
31 -36	62976-005		RETAINER - Cabin exhaust vent, sand	1	
-37	62975-000		WELD ASSEMBLY - Cabin exhaust vent	1	
-38	62974-000		SCOOP - Cabin exhaust vent	1	
-39	62973-005		DISC ASSEMBLY - Cabin exhaust vent, sand	1	
-40	471-059		* KNOB - Black	1	
-41	63633-019	B	HOSE - Cabin heat inlet	1	
	63033-027	C	HOSE - Cabin heat inlet	1	28-1761 to 28-3077 inclusive
	63633-038	C	HOSE - Cabin heat inlet	1	28-3078 to 28-4377 inclusive
-42	63633-018	B	HOSE - Air inlet	1	28-10003 to 28-10062 inclusive
	63633-024	B	HOSE - Air inlet	1	28-10063 to 28-10486 inclusive
	63633-007	8	HOSE - Air inlet	1	28-10487 to 28-11039 inclusive
	63633-026	C	HOSE - Air inlet	1	28-1761 to 28-3077 inclusive
	63633-007	C	HOSE - Air inlet	1	28-3078 to 28-4377 inclusive
-43	63633-021	B	HOSE - Defroster air inlet	1	
	63633-021	C	HOSE - Defroster air inlet	1	28-1761 to 28-3077 inclusive
	63633-037	C	HOSE - Defroster air inlet	1	28-3078 to 28-4377 inclusive
-44	454-994	B	CLAMP - Hose (H-2-1160)	2	
-45	454-993		CLAMP - Hose (H-3-1160)	1	
-46	454-997	B	CLAMP - Hose (H-1-1160)	2	
-47	454-993	B	CLAMP - Hose (H-3-1160)	1	
	554-826	C	CLAMP - Hose (GS50)	1	28-1761 to 28-3077 inclusive
	554-772	C	CLAMP - Hose (H30000)	1	28-3078 to 28-4377 inclusive
-48	454-997	C	CLAMP - Hose (H-1-1160)	1	
-49	454-997	C	CLAMP - Hose (H-1-1160)	1	28-1761 to 28-3077 inclusive
	554-865	C	CLAMP - Hose (H-1-9160)	1	28-3078 to 28-4377 inclusive
-50	454-994	C	CLAMP - Hose (H-2-1160)	1	28-1761 to 28-3077 inclusive
	554-772	C	CLAMP - Hose (H3-0000)	1	28-3078 to 28-4377 inclusive
-51	454-994	C	CLAMP - Hose (H-2-1160)	1	28-1761 to 28-3077 inclusive
	454-993	C	CLAMP - Hose (H-3-1160)	1	28-3078 to 28-4377 inclusive
			A - Used on PA-28-150, PA-28-160 and PA-28-180 with serial numbers 28-1761 to 28-4377 inclusive, and PA-28-235 with serial numbers 28-10003 to 28-11039 inclusive.		
			B - Used on PA-28-235 airplanes only.		
			C - Used on PA-28-150, PA-28-160 and PA-28-180 airplanes only.		

When ordering, always specify Part Number, Description, and Serial Number of Aircraft

PIPER PARTS CATALOG

Figure and Index Number	Part Number	Code	NOMENCLATURE	No. Req.	SERIAL NUMBERS AFFECTED
31 -52 -53 -54 -55	21409-00 63025-00 65799-00 21407-00	B B B B	BRACKET - Ventilator control mounting DOOR AND ACTUATOR ASSEMBLY - Ventilator * DOOR ASSEMBLY - Ventilator * SEAL- Ventilator door A - Used on PA-28-150, PA-28-160 and PA-28-180 with serial numbers 28-1761 to 28-4377 inclusive, and PA-28-235 with serial numbers 28-10003 to 28-11039 inclusive. B - Used on PA-28-150, PA-28-160 and PA-28-180 with serial numbers 28-1761 to 28-2477 inclusive, and PA-28-235 with serial numbers 28-10003 to 28-10675 inclusive.	3 3 1 1	

When ordering, always specify Part Number, Description, and Serial Number of Aircraft

PA-28-150
PA-28-160
PA-28-180
PA-28-235

THIS PAGE INTENTIONALLY LEFT BLANK

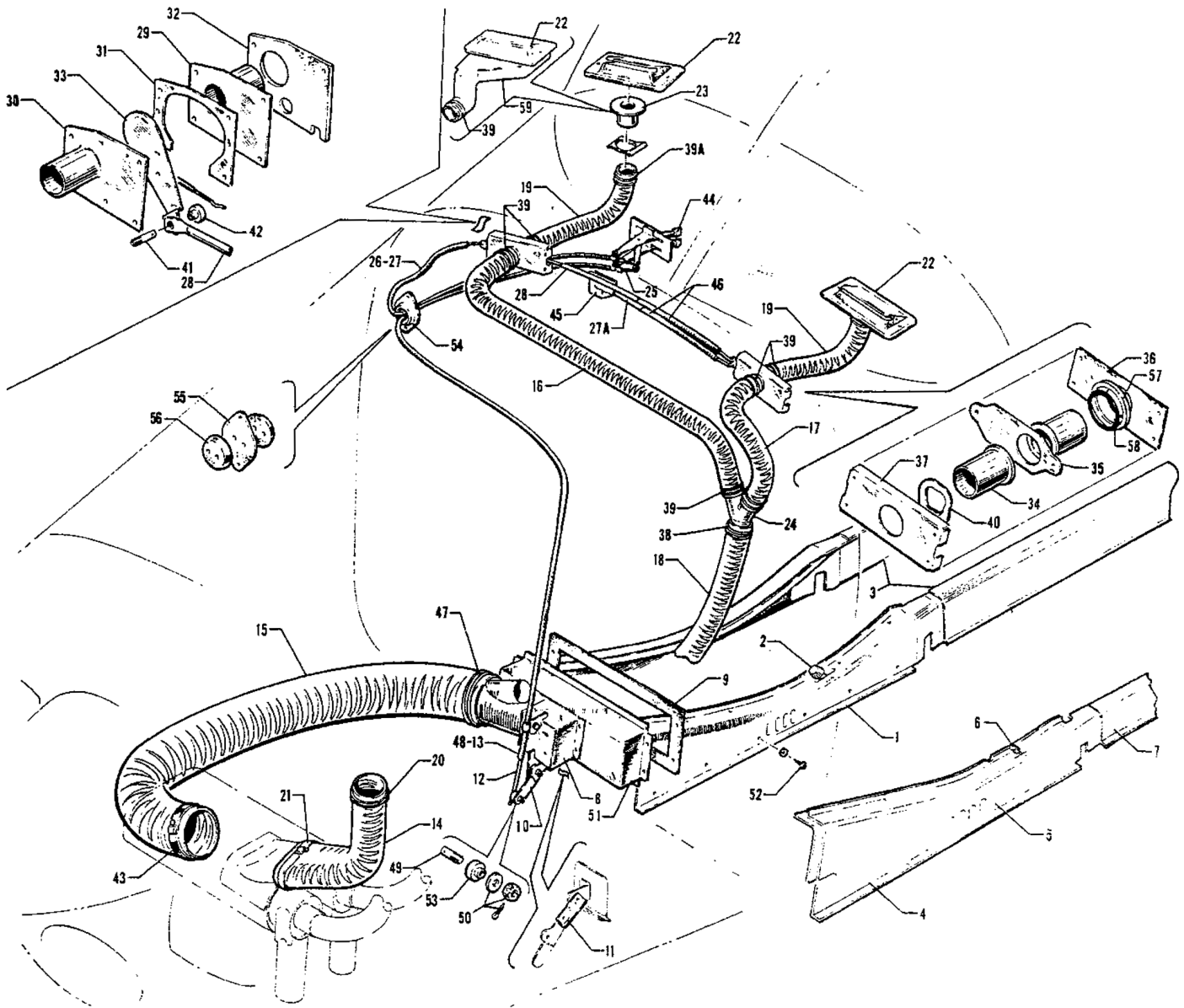


Figure 31A. Cabin Heat and Defroster Installation
 (PA-28-180 - Serial Nos. 28-4378 and up)
 (PA-28-235 - Serial Nos. 28-11040 and up)

THIS PAGE INTENTIONALLY LEFT BLANK

PIPER PARTS CATALOG

Figure and Index Number	Part Number	Code	NOMENCLATURE	No. Req.	SERIAL NUMBERS AFFECTED
31A-	65838	E	DRAWING - Cabin Heat Installation		
	99023	F	DRAWING - Cabin Heat Installation		
	99933	D	DRAWING - Cabin Heat Installation		
	65843	C	DRAWING - Defroster System Installation		28-7310001 and up
	69215	C	DRAWING - Defroster System Installation		28-4378 to 28-4379 inclusive
	69277	G	DRAWING - Defroster System Installation		28-4380 to 28-4877 inclusive
	99024	F	DRAWING - Defroster System Installation		
	78100	D	DRAWING - Defroster System Installation		28-7310001 and up
-1	62960-000	E	DUCT ASSEMBLY - Cabin heat, left	1	
	99416-000	H	DUCT ASSEMBLY - Cabin heat, left	1	
	62960-001	E	DUCT ASSEMBLY - Cabin heat, right	1	
	99416-001		DUCT ASSEMBLY - Cabin heat, right	1	
-2	66980-000	H	KNOB - Heat Duct	1	
-3	99105-002	H	DUCT - Cabin heat, aft, left	1	
	99105-003	H	DUCT - Cabin heat, aft, right	1	
-4	76219-000	B	DUCT ASSEMBLY - Cabin heat, front, left	1	
	76219-001	B	DUCT ASSEMBLY - Cabin heat, front, right	1	
-5	36511-002	B,J	DUCT ASSEMBLY - Cabin heat, center, left	1	
	36511-003	B,J	DUCT ASSEMBLY - Cabin heat, center, right	1	
-6	66980-000	B	KNOB - Heat duct	1	
-7	76129-002	B	DUCT - Cabin heat, rear, left	1	
	76129-001	B	DUCT - Cabin heat, rear, right	1	
-8	65545-000	C	BOX ASSEMBLY - Cabin heat	1	
	65422-000	D	BOX ASSEMBLY - Cabin heat	1	28-11040 to 28-7210033 incl.
	99934-000	D	BOX ASSEMBLY - Cabin heat	1	28-7310001 and up
-9	62969-000		GASKET - Distributor box	1	
			<p>A - Used on PA-28-180 with serial numbers 28-4378 and up, and PA-28-235 with serial numbers 28-11040 and up. B - Used on PA-28-180 with serial numbers 28-7305001 and up, and PA-28-235 with serial numbers 28-7310001 and up. C - Used on PA-28-180 airplanes only. D - Used on PA-28-235 airplanes only. E - Used on PA-28-180 with serial numbers 28-4378 to 28-5869 inclusive, and PA-28-235 with serial numbers 28-11040 to 28-11393 inclusive. F - Used on PA-28-180 with serial numbers 28-7105001 and up, and PA-28-235 with serial numbers 28-7110001 to 28-7210033 inclusive. G - Used on PA-28-180 with serial numbers 28-4878 to 28-5869 inclusive, and PA-28-235 with serial numbers 28-11040 to 28-11393 inclusive. H - Used on PA-28-180 with serial numbers 28-7105001 to 28-7205328 inclusive, and PA-28-235 with serial numbers 28-7110001 to 28-7210033 inclusive. J - When ordering, specify color "Bark II" or black.</p>		

When ordering, always specify Part Number, Description, and Serial Number of Aircraft

PIPER PARTS CATALOG

Figure and Index Number	Part Number	Code	NOMENCLATURE	No. Req.	SERIAL NUMBERS AFFECTED
31A-10	36558-007	H	LINK ASSEMBLY - Cabin heat box	1	
	36558-006	D	LINK ASSEMBLY - Cabin heat box	1	28-7310001 and up
-11	62178-000	C	LINK - Cabin heat box	1	
	62178-000	D	LINK - Cabin heat box	1	28-11040 to 28-7210033 incl.
	78049-000	D	LINK - Cabin heat box	1	28-7310001 and up
-12	67657-005	C	WIRE - Cabin heat control	1	28-4378 to 28-5869 inclusive
	67657-006	D	WIRE - Cabin heat control	1	28-11040 to 28-11393 inclusive
-13	67658-005	C	HOUSING - Cabin heat control wire	1	28-4378 to 28-5869 inclusive
	67658-007	D	HOUSING - Cabin heat control wire	1	28-11040 to 28-11393 inclusive
-14	63633-007	E	HOSE - Air inlet	1	
	63633-089	C	HOSE - Air inlet	1	28-7205092 and up
-15	63633-038	C	HOSE - Cabin heat	1	
	63633-019	D	HOSE - Cabin heat	1	28-11040 to 28-7210033 incl.
	63633-033	D	HOSE - Cabin heat	1	28-7310001 and up
	63633-014	C	HOSE - Defroster	1	28-4378 to 28-4877 inclusive
	63633-060	B	HOSE - Defroster	1	
-17	63633-015		HOSE - Defroster	1	
-18	63633-059	C	HOSE - Defroster	1	28-4378 to 28-4527 inclusive
	63633-055	C	HOSE - Defroster	1	28-4528 and up
	63633-059	D	HOSE - Defroster	1	28-11040 to 28-7210033 incl.
	63633-040	D	HOSE - Defroster	1	28-7310001 and up
-19	63633-056	F	HOSE - Defroster	2	
-20	454-993	E	CLAMP - Hose (SAE TY A-3-1/16)	1	
	554-882	C	CLAMP - Hose (SAE TY A-2-9/16)	1	28-7205092 and up
-21	452-772	C	CLAMP - Hose (SAE TY A-3)	1	28-4378 to 28-7205091 incl.
	554-882	C	CLAMP - Hose (SAE TY A-2-9/16)	1	28-7205092 and up
	454-993	D	CLAMP - Hose (SAE TY A-3-1/16)	1	
-22	65318-000		OUTLET - Defroster air	2	
-23	62965-004	C	OUTLET ASSEMBLY - Defroster air	2	28-4378 to 28-4379 inclusive
	67712-000	C	OUTLET ASSEMBLY - Defroster air	2	28-4380 to 28-4877 inclusive
	69278-000	G	OUTLET ASSEMBLY - Defroster air	2	
-24	65832-000	C	TAKE-OFF ASSEMBLY - Defroster air	1	28-4378 to 28-4527 inclusive
	69229-000	C	TAKE-OFF ASSEMBLY - Defroster air	1	28-4528 and up
	65832-000	D	TAKE-OFF ASSEMBLY - Defroster air	1	28-11040 to 28-7210033 incl.
	99753-000	D	TAKE-OFF ASSEMBLY - Defroster air	1	28-7310001 and up

A - Used on PA-28-180 with serial numbers 28-4378 and up, and PA-28-235 with serial numbers 28-11040 and up.
 B - Used on PA-28-180 with serial numbers 28-4878 and up and PA-28-235 with serial numbers 28-11040 and up.
 C - Used on PA-28-180 airplanes only.
 D - Used on PA-28-235 airplanes only.
 E - Used on PA-28-180 with serial numbers 28-4378 to 28-7205091 inclusive and PA-28-235 with serial numbers 28-11040 and up.
 F - Used on PA-28-180 with serial numbers 28-4378 and up and PA-28-235 with serial numbers 28-11040 to 28-7610063 inclusive.
 G - Used on PA-28-180 with serial numbers 28-4878 and up, and PA-28-235 with serial numbers 28-11040 to 28-7610063 inclusive.
 H - Used on PA-28-180 with serial numbers 28-4378 and up and PA-28-235 with serial numbers 28-11040 to 28-7210033 inclusive.

When ordering, always specify Part Number, Description, and Serial Number of Aircraft

PIPER PARTS CATALOG

Figure and Index Number	Part Number	Code	NOMENCLATURE	No. Req.	SERIAL NUMBERS AFFECTED
31A-25	67657-003		WIRE - Defroster control (37-1/2")	1	28-4378 to 28-4379 inclusive
-26	67658-003		HOUSING - Defroster control wire	1	28-4378 to 28-4379 inclusive
-27	67708-000	C	CABLE ASSEMBLY - Defroster control (46-1/4")	1	28-4380 to 28-4877 inclusive
-27a	554-143	B	CABLE ASSEMBLY - Defroster control (40")	1	
-28	67345-000		ROD - Defroster valve	1	28-4378 to 28-4379 inclusive
	554-144		CABLE ASSEMBLY - Defroster valve	1	28-4380 and up
-29	67608-000		PLATE ASSEMBLY - Defroster air outlet	2	28-4378 to 28-4379 inclusive
-30	67608-001		PLATE ASSEMBLY - Defroster air inlet	2	28-4378 to 28-4379 inclusive
-31	67610-000		SPACER - Defroster air plate assembly	2	28-4378 to 28-4379 inclusive
-32	67395-000		GASKET - Defroster valve	2	28-4378 to 28-4379 inclusive
-33	67343-000		VALVE - Defroster air output	2	28-4378 to 28-4379 inclusive
-34	67704-000	C	TUBE - Defroster valve	4	28-4380 to 28-4877 inclusive
	64279-000	B	TUBE - Defroster valve	4	
-35	67705-000		GATE - Defroster valve	2	28-4380 and up
-36	67706-000	C	PLATE - Defroster valve	2	28-4380 to 28-4877 inclusive
	69274-000	B	PLATE - Defroster valve	2	
-37	67707-000	C	HOUSING - Defroster valve	2	28-4380 to 28-4877 inclusive
	69273-000	B	HOUSING - Defroster valve	2	
-38	454-985	C	CLAMP - Hose (SAE TY A-1)	1	28-4378 to 28-4527 inclusive
	554-896	C	CLAMP - Hose (SAE TY A-1-1/2)	1	28-4528 and up
	454-985	D	CLAMP - Hose (SAE TY A-1)	1	28-11040 to 28-7210033 incl.
	554-837	D	CLAMP - Hose (SAE TY A-2)	1	28-7310001 and up
-39	454-985		CLAMP - Hose (SAE TY A-1)	6	
-39a	454-985	G	CLAMP - Hose (SAE TY A-1)	2	
-40	494-123		WASHER - Spring (35)	4	28-4380 and up
-41	70371-003		STUD - Swivel fitting	1	28-4378 to 28-4379 inclusive
-42	91193-000		FITTING - Swivel	1	28-4378 to 28-4379 inclusive
-43	554-772	C	CLAMP - Hose (H3-0000)		
	454-994	D	CLAMP - Hose (H2-1160)	1	28-11040 to 28-7210033 incl.
	554-866	D	CLAMP - Hose (GS-TY F-48SS)	1	28-7310001 and up
-44	22287-000	E	KNOB - Cabin heat and defroster	1	
	66980-000	F	KNOB - Cabin heat and defroster	1	

- A - Used on PA-28-180 with serial numbers 28-4378 and up, and PA-28-235 with serial numbers 28-11040 and up.
- B - Used on PA-28-180 with serial numbers 28-4878 and up, and PA-28-235 with serial numbers 28-11040 and up.
- C - Used on PA-28-180 airplanes only.
- D - Used on PA-28-235 airplanes only.
- E - Used on PA-28-180 with serial numbers 28-4378 to 28-5600 inclusive, and PA-28-235 with serial numbers 28-11040 to 28-11300 inclusive.
- F - Used on PA-28-180 with serial numbers 28-5601 and up and PA-28-235 with serial numbers 28-11301 and up.
- G - Used on PA-28-180 with serial numbers 28-4378 and up and PA-28-235 with serial numbers 28-11040 to 28-7610063 inclusive.

When ordering, always specify Part Number, Description, and Serial Number of Aircraft

PIPER PARTS CATALOG

Figure and Index Number	Part Number	Code	NOMENCLATURE	No. Req.	SERIAL NUMBERS AFFECTED
31A-45	69275-000	B	CLAMP - Defroster cable	1	
-46	63882-031	B	SLEEVE - Defroster cable	2	
-47	454-993	C	CLAMP - Hose (H-3-1160)	1	
	454-994	D	CLAMP - Hose (H-2-1160)	1	28-11040 to 28-7210033 incl.
	554-866	D	CLAMP - Hose (GS-TY F-48SS)	1	28-7310001 and up
-48	554-142	E	CABLE ASSEMBLY - Cabin heat control complete	1	
-49	70371-003		STUD - Swivel fitting	1	
-50	404-100		NUT - (AN310-3)	1	
	690-612		WASHER - (NAS1149F0336P)	1	
	424-051		COTTER PIN - (MS24665-132)	1	
-51	62962-000	C	BOX ASSEMBLY - Distributor, cabin heat	1	
	62962-000	D	BOX ASSEMBLY - Distributor cabin heat	1	28-11000 to 28-7210033 incl.
	62962-003	D	BOX ASSEMBLY - Distributor, cabin heat	1	28-7310001 and up
-52	419-683		SCREW - Heat duct (4 x 1/2 L , Oval Hd.)	38	
	494-001		WASHER - Heat duct (4)	38	
-53	70371-002		FITTING - Swivel	2	
-54	66789-000		PLATE - Firewall seal	2	
-55	68771-002	C	GASKET - Firewall seal	1	28-4378 to 28-4877 inclusive
	22105-003	B	GASKET - Firewall seal	1	
-56	68770-009	C	GROMMET - Firewall seal	2	28-4378 to 28-4877 inclusive
	68770-014	B	GROMMET - Firewall seal	2	
-57	62833-104	B	WASHER	2	
-58	484-841	B	O-RING - (M83248/1-213)	2	
-59	79615-002	D	DUCT ASSEMBLY - Defroster, left	1	28-7610064 and up
	79615-003	D	DUCT ASSEMBLY - Defroster right	1	28-7610064 and up
<p>A - Used on PA-28-180 with serial numbers 28-4378 and up, and PA-28-235 with serial numbers 28-11040 and up. B - Used on PA-28-180 with serial numbers 28-4878 and up, and PA-28-235 with serial numbers 28-11040 and up. C - Used on PA-28-180 airplanes only. D - Used on PA-28-235 airplanes only. E - Used on PA-28-180 with serial numbers 28-7105001 and up, and PA-28-235 with serial numbers 28-7110001 and up.</p>					

When ordering, always specify Part Number, Description, and Serial Number of Aircraft

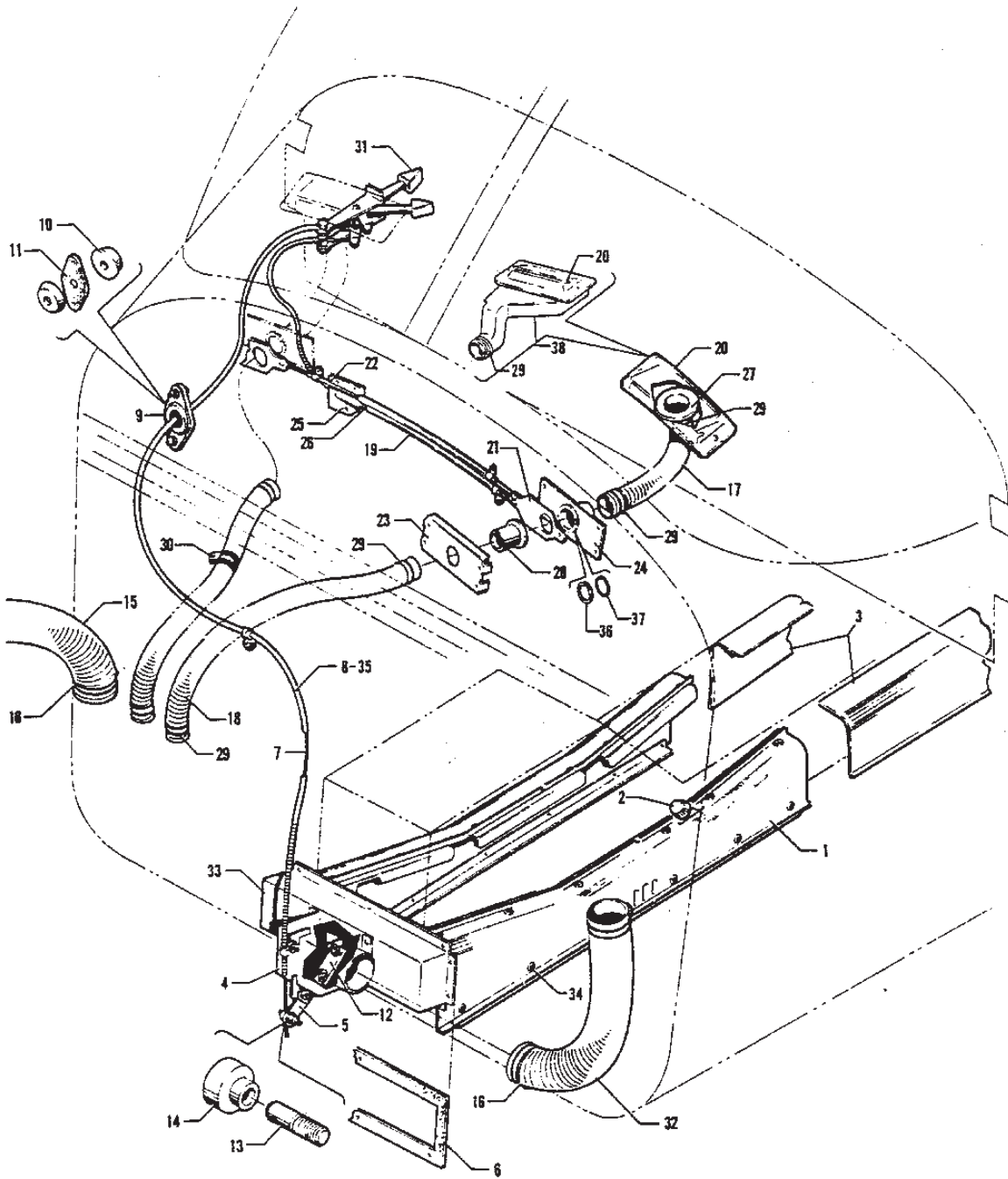


Figure 31B. Cabin Heat and Defroster Installation
 (PA-28-140 - Serial Nos. 28-25000 and up)

THIS PAGE INTENTIONALLY LEFT BLANK

PIPER PARTS CATALOG

Figure and Index Number	Part Number	Code	NOMENCLATURE	No. Req.	SERIAL NUMBERS AFFECTED
31B-	66692 99020 66663 99025		DRAWING - Cabin Heat Installation DRAWING - Cabin Heat Installation DRAWING - Defroster System Installation DRAWING - Defroster System Installation		28-25000 to 28-26956 inclusive 28-7125001 and up 28-25000 to 28-26956 inclusive 28-7125001 and up
-1	62960-000 99416-000 62960-001 99416-001		DUCT ASSEMBLY - Cabin heat, left DUCT ASSEMBLY - Cabin heat, left DUCT ASSEMBLY - Cabin heat, right DUCT ASSEMBLY - Cabin heat, right	1 1 1 1	28-25000 to 28-26956 inclusive 28-7125001 and up 28-25000 to 28-26956 inclusive 28-7125001 and up
-2	66980-000		KNOB - Heat duct	1	23-7125001 and up
-3	99105-004 99105-003		DUCT - Cabin heat, aft, left DUCT - Cabin heat, aft, right	1 1	28-7125001 and up 28-7125001 and up
-4	62183-000		BOX ASSEMBLY - Cabin heat	1	28-7125001 and up
-5	36558-007		LINK ASSEMBLY - Cabin air box	1	
-6	62969-001		GASKET - Distributor box	1	
-7	67657-005 67658-005		WIRE - Cabin heat control HOUSING - Cabin heat control wire	1 1	28-25000 to 28-26956 inclusive 28-25000 to 28-26956 inclusive
-9	66789-000		PLATE - Firewall seal	2	
-10	68770-014		GROMMET - Firewall seal	2	
-11	22105-003		GASKET - Firewall seal	1	
-12	62178-000		LINK - Cabin heat box	1	
-13	70371-003		STUD - Swivel fitting	1	
-14	70371-002		FITTING - Swivel	1	
-15	63633-007		HOSE - Air inlet	1	
-16	454-994		CLAMP - Hose (H2-1160)	4	
-17	63633-056		HOSE - Defroster	2	28-25000 to 28-7625837 incl.
-18	63633-061		HOSE - Defroster	2	
-19	63882-031		SLEEVE - Defroster cable	2	
-20	65318-000		OUTLET - Defroster air	2	
-21	67705-000		GATE - Defroster valve	2	
-22	67709-000 554-144		CABLE ASSEMBLY - Defroster CABLE ASSEMBLY - Defroster	1 1	28-25000 to 28-26956 inclusive 28-7125001 and up
-23	69273-000		HOUSING - Defroster valve	2	
-24	69274-000		PLATE - Defroster valve	2	
-25	69275-000		CLAMP - Cable	1	
-26	69276-000 554-143		CABLE ASSEMBLY - Defroster control CABLE ASSEMBLY - Defroster control	1 1	28-25000 to 28-26956 inclusive 28-7125001 and up
-27	69278-000		OUTLET ASSEMBLY - Defroster air	2	28-25000 to 28-7625087
-28	69279-000		TUBE - Defroster valve	4	
-29	454-985		CLAMP - (SAE TY A-1)	6	
-29a	454-985		CLAMP - (SAE TY A-1)	2	28-25000 to 28-7625087 incl.
-30	454-852		CLAMP - (A3046S-18-91)	1	
-31	22287-000 66980-000		KNOB - Cabin heat and defroster KNOB - Cabin heat and defroster	2 2	28-25000 to 28-26400 inclusive 28-26401 and up
-32	63633-008		HOSE - Cabin heat inlet	1	
-33	62962-000		BOX ASSEMBLY - Distributor, cabin heat	1	
-34	419-682 494-001		SCREW - (#4 x 3/8 Oval head sheet metal) WASHER - (#4 Finishing)	36 36	
-35	66856-019		CABLE ASSEMBLY - Cabin heat control	1	28-7125001 and up
-36	62833-104		WASHER	2	
-37	484-841		O-RING - (M83248/1-213)	2	
-38	79615-002 79615-003		DUCT ASSEMBLY - Defroster air, left DUCT ASSEMBLY - Defroster air, right	1 1	28-7625088 and up 28-7625088 and up

When ordering, always specify Part Number, Description, and Serial Number of Aircraft

THIS PAGE INTENTIONALLY LEFT BLANK

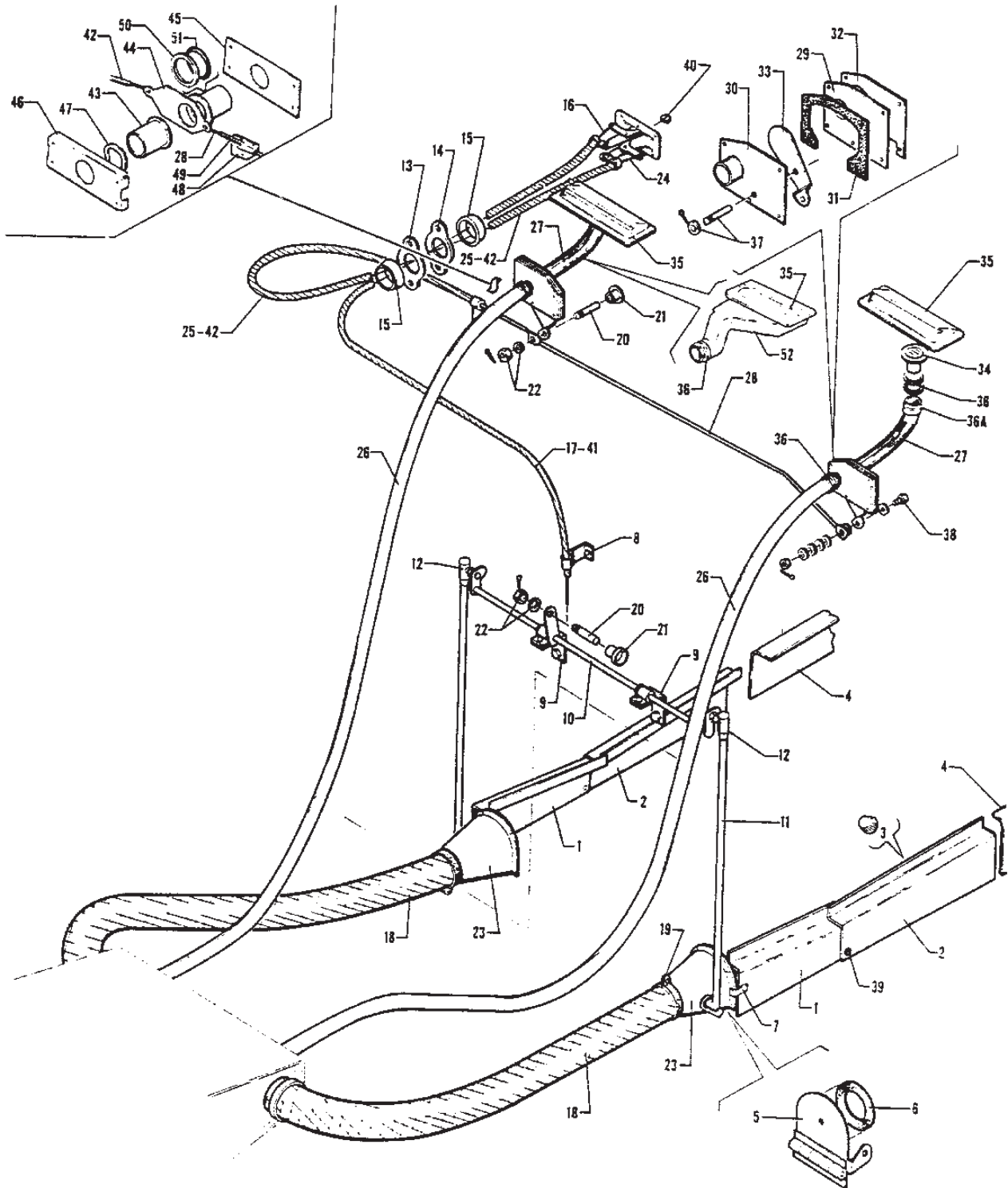


Figure 32. Cabin Heat and Defroster Installation
 (PA-28R-180 - Serial Nos. 28R-30005 to 28R-30481 inclusive, 28R-30483 to 28R-31279 inclusive)
 (PA-28R-200 - Serial Nos. 28R-30482, 28R-35001 to 23R-35830 inclusive)

THIS PAGE INTENTIONALLY LEFT BLANK

PIPER PARTS CATALOG

Figure and Index Number	Part Number	Code	NOMENCLATURE	No. Req.	SERIAL NUMBERS AFFECTED
32-	67393 99028 67346 67710 67740 99029	A B D C B	DRAWING - Cabin Heat System Installation DRAWING - Cabin Heat System Installation DRAWING - Defroster System Installation DRAWING - Defroster System Installation DRAWING - Defroster System Installation DRAWING - Defroster System Installation		28R-30005 to 28R-30253 incl.
-1	67205-000 67205-002 67205-001 67205-003 67205-005	A B A B F,G	DUCT - Cabin heat, left front DUCT - Cabin heat, left front DUCT - Cabin heat, right front DUCT - Cabin heat, right front DUCT - Cabin heat, right front	1 1 1 1 1	28R-7235001 and up
-2	67295-000 99416-002 36511-002 67295-001 99416-003 36511-003	A E F,H A E F,H	DUCT ASSEMBLY - Cabin heat, left rear DUCT ASSEMBLY - Cabin heat, left center DUCT ASSEMBLY - Cabin heat, left center DUCT ASSEMBLY - Cabin heat, right rear DUCT ASSEMBLY - Cabin heat, right center DUCT ASSEMBLY - Cabin heat, right center	1 1 1 1 1 1	28R-7235001 and up 28R-7235001 and up 28R-7235001 and up
-3	66980-000	B	KNOB - Heat duct	1	
-4	99105-000 76129-000 99105-001 76129-001	E F E F	DUCT - Cabin heat, left rear DUCT - Cabin heat, left rear DUCT - Cabin heat, left rear DUCT - Cabin heat, left rear	1 1 1 1	28R-7235001 and up 28R-7235001 and up
-5	67386-000		DOOR ASSEMBLY - Cabin heat valve	2	
-6	62833-035		SEAL - Cabin heat valve door	1	
-7	67387-000		CLIP - Cabin heat valve	2	
-8	67344-000		BRACKET - Heater cable	1	
-9	67347-000		BRACKET - Cabin heat valve torque tube	2	
-10	67389-000		TUBE ASSEMBLY - Cabin heat valve torque	1	
-11	67391-000		ROD ASSEMBLY - Cabin heat valve	2	
-12	31747-000		JOINT ASSEMBLY - Ball	1	
<p>A - Used on PA-28R-180 with serial numbers 28R-30005 to 28R-30481 inclusive, 28R-30483 to 28R-31279 inclusive, and PA-28R-200 with serial numbers 28R-30482, and 28R-35001 to 23R-35830 inclusive.</p> <p>B - Used on PA-28R-180 with serial numbers 28R-7130001 and up, and PA-28R-200 with serial numbers 28R-7135001 and up.</p> <p>C - Used on PA-28R-180 with serial numbers 28R-30679 to 28R-31279 inclusive, and PA-28R-200 with serial numbers 28R-30482, 28R-35001 to 28R-35830 inclusive.</p> <p>D - Used on PA-28R-180 with serial numbers 28R-30254 to 28R-30481 inclusive 28R-30483 to 28R-30678 inclusive.</p> <p>E - Used on PA-28R-180 with serial numbers 28R-7130001 to 28R-7130019 inclusive, and PA-28R-200 with serial numbers 28R-7135001 to 28R-7135238 inclusive.</p> <p>F - Used on PA-28R-200 airplanes only.</p> <p>G - Used if air conditioning is installed.</p> <p>H - When ordering specify color "bark II" or black.</p>					

When ordering, always specify Part Number, Description, and Serial Number of Aircraft

PIPER PARTS CATALOG

Figure and Index Number	Part Number	Code	NOMENCLATURE	No. Req.	SERIAL NUMBERS AFFECTED
32 -13	66789-000		PLATE - Firewall seal	2	
-14	68771-002	D	GASKET - Firewall seal	1	
	22105-003	C	GASKET - Firewall seal	1	
-15	68770-009	D	GROMMET - Firewall seal	2	
	68770-014	C	GROMMET - Firewall seal	2	
-16	67657-004	A	WIRE - Cabin heat control	1	
-17	67658-004	A	HOUSING - Cabin heat control wire	1	
-18	63633-045		HOSE - Cabin heat	2	
-19	454-800		CLAMP - Cabin heat hose (32SS Type F)	4	
-20	70371-003		STUD - Swivel fitting	2	
-21	91193-000		FITTING - Swivel	2	
-22	690-611		WASHER - (NAS1149F0463P)	4	
	404-392		NUT - (AN320-3)	2	
	424-051		COTTER PIN - (AN380-2-2)	2	
-23	67401-000		SHROUD - Cabin heat valve, left	1	
	67401-003		SHROUD - Cabin heat valve, right	1	
-24	67657-003		WIRE - Defroster control (27-1/2")	1	28R-30005 to 28R-30253 incl.
-25	67658-003		HOUSING - Defroster control wire	1	28R-30005 to 28R-30253 incl.
-26	63633-051		HOSE - Defroster	2	
-27	63633-056	E	HOSE - Defroster	2	
-28	67345-000		ROD - Defroster	1	28R-30005 to 28R-30253 incl.
	554-144		CABLE ASSEMBLY - Defroster	1	28R-30254 and up
-29	67608-000		PLATE ASSEMBLY - Defroster air outlet	2	28R-30005 to 28R-30253 incl.
-30	67608-001		PLATE ASSEMBLY - Defroster air inlet	2	28R-30005 to 28R-30253 incl.
-31	67610-000		SPACER - Defroster air plate assembly	2	28R-30005 to 28R-30253 incl.
-32	67395-000		GASKET - Defroster valve	2	28R-30005 to 28R-30253 incl.
-33	67343-000		VALVE - Defroster air output	2	28R-30005 to 28R-30253
-34	62965-004		OUTLET ASSEMBLY - Defroster air	2	28R-30005 to 28R-30253
	67712-000	B	OUTLET ASSEMBLY - Defroster air	2	
	69278-000	F	OUTLET ASSEMBLY - Defroster air	2	
-35	65318-000		OUTLET - Defroster air	2	
-36	454-950	D	CLAMP - Defroster hose (A3122-18-1)	6	
	454-935	C	CLAMP - Defroster hose (SAE TY A-1)	6	
-36a	454-950	D	CLAMP - (A3122-18-1)	2	
	454-985	F	CLAMP - (SAE TY A-1)	2	
<p>A - Used on PA-28R-180 with serial numbers 28R-30005 to 28R-30481 inclusive, 28R-30483 to 28R-31279 inclusive, and PA-28R-200 with serial numbers 28R-30482, 28R-35001 to 28R-35830 inclusive.</p> <p>B - Used on PA-28R-180 with serial numbers 28R-30254 to 28R-30481 inclusive, 28R-30483 to 28R-30678 inclusive.</p> <p>C - Used on PA-28R-180 with serial numbers 28R-30679 and up, and PA-28R-200 with serial numbers 28R-30482, 28R-35001 and up.</p> <p>D - Used on PA-28R-180 with serial numbers 28R-30005 to 28R-30481 inclusive, 28R-30483 to 28R-30678 inclusive.</p> <p>E - Used on PA-28R-180 with serial numbers 28R-30005 to 28R-7130019 inclusive, and PA-28R-200 with serial numbers 28R-30482, 28R-35001 to 28R-7635122 inclusive.</p> <p>F - Used on PA-28R-180 with serial numbers 28R-30679 to 28R-7130019 inclusive, and PA-28R-200 with serial numbers 28R-30482, 28R-35001 to 28R-7635122 inclusive.</p>					

When ordering, always specify Part Number, Description, and Serial Number of Aircraft

PIPER PARTS CATALOG

Figure and Index Number	Part Number	Code	NOMENCLATURE	No. Req.	SERIAL NUMBERS AFFECTED
32 -37	424-140		PIN - Flat head (AN392-7)	2	28R-30005 to 28R-30253 incl.
	690-651		WASHER - (AN950-8)	2	28R-30005 to 28R-30253 incl.
	424-095		COTTER PIN - (NAS1149CN832R)	2	28R-30005 to 28R-30253 incl.
-38	400-102		BOLT - (AN4-5)	1	28R-30005 to 28R-30253 incl.
	690-613		WASHER - (NAS1149F0432P)	5	28R-30005 to 28R-30253 incl.
	404-393		NUT - (AN320-4)	1	28R-30005 to 28R-30253 incl.
	424-051		COTTER PIN - (AN380-2-2)	1	28R-30005 to 28R-30253 incl.
-39	419-683		SCREW - Heat duct (#4 x 1/2 L. Oval hd.)	34	
	494-001		WASHER - Heat duct (#4)	34	
-40	22287-000	A	KNOB - Cabin heat and defroster,	2	
	66980-000	B	KNOB - Cabin heat and defroster	2	
-41	554-150	C	CABLE ASSEMBLY - Cabin heat control	1	
-42	67708-000	D	CABLE ASSEMBLY - Defroster control (46-1/4")	1	
	554-143	E	CABLE ASSEMBLY - Defroster control (40")	1	
-43	67704-000	D	TUBE - Defroster valve	4	
	69279-000	E	TUBE - Defroster valve	4	
-44	67705-000		GATE - Defroster valve	2	28R-30254 and up
-45	67706 000	D	PLATE - Defroster valve	2	
	69274-000	E	PLATE - Defroster valve	2	
-46	67707-000	D	HOUSING - Defroster valve	2	
	69273-000	E	HOUSING - Defroster valve	2	
-47	494-123		WASHER - Spring	4	28R-30254 and up
-48	69275-000	E	CLAMP - Defroster cable	1	
-49	63882-031	E	SLEEVE - Defroster cable	2	
-50	62933-104	E	WASHER	2	
-51	484-841	E	O RING - (NAS1593-213)	2	
-52	79615-002	F	DUCT ASSEMBLY - Defroster air, left	1	28R-7635123 and up
	79615-003	F	DUCT ASSEMBLY - Defroster air, right	1	28R-7635123 and up
<p>A - Used on PA-28R-180 with serial numbers 28R-30005 to 28R-30481 inclusive, 28R-30483 to 28R-31250 inclusive, and PA-28R-200 with serial numbers 28R-30482, 28R-35001 to 28R-35600 inclusive.</p> <p>B - Used on PA-28R-180 with serial numbers 28R-31251 and up, and PA-28R-200 with serial numbers 28R-35601 and up.</p> <p>C - Used on PA-28R-180 with serial numbers 28R-7130001 and up and PA-28R-200 with serial numbers 28R-7135001 and up.</p> <p>D - Used on PA-28R-180 with serial numbers 28R-30254 to 28R-30481 inclusive, 28R-30483 to 28R-30678 inclusive.</p> <p>E - Used on PA-28R-180 with serial numbers 28R-30679 and up, and PA-28R-200 with serial numbers 28R-30482, 28R-35001 and up.</p> <p>F - Used on PA-28R-200 airplanes only.</p>					

When ordering, always specify Part Number, Description, and Serial Number of Aircraft

THIS PAGE INTENTIONALLY LEFT BLANK

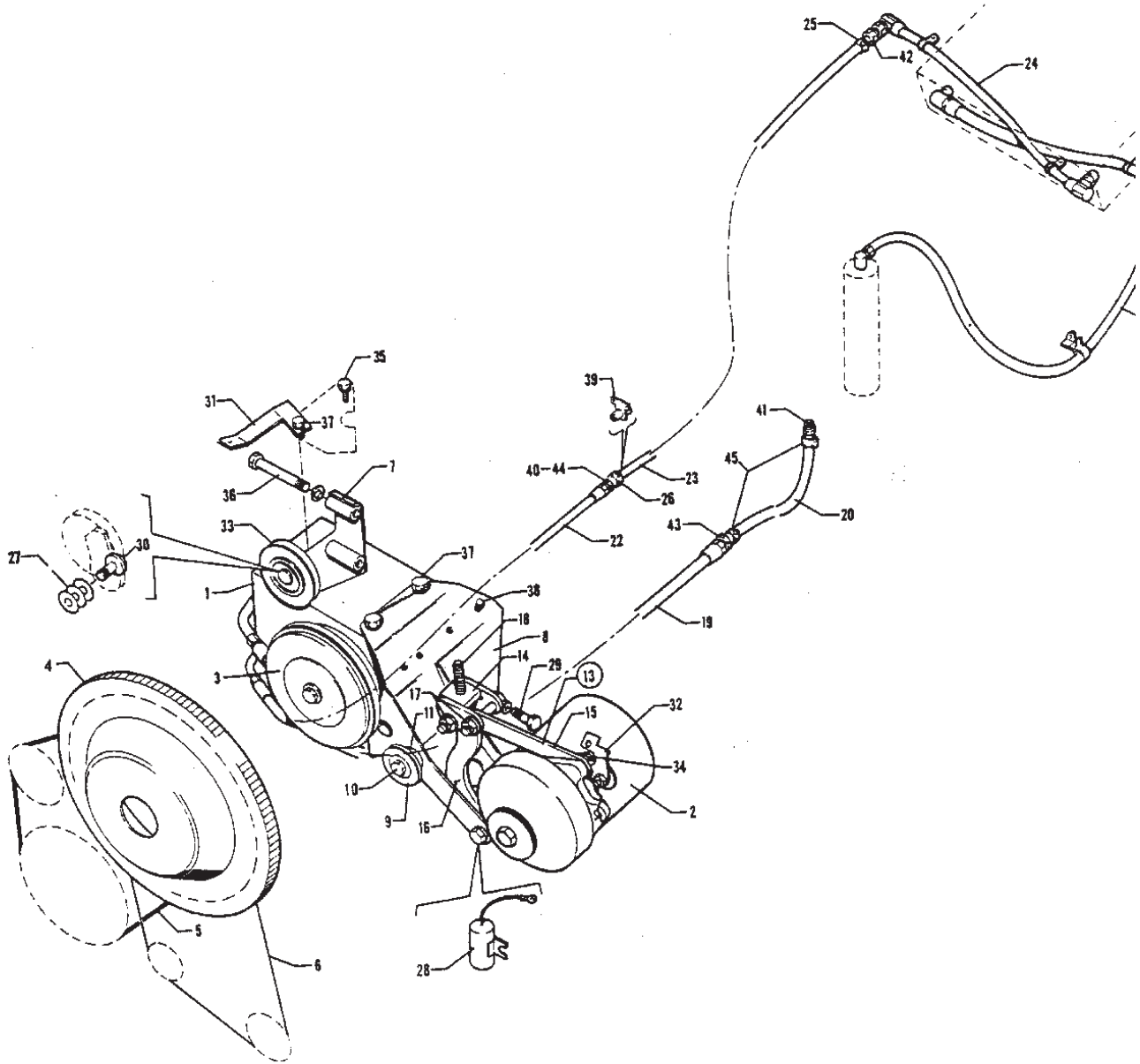


Figure 32A. Air Conditioning Compressor Refrigerant Lines and Alternator Installation
 (PA-28-140 - Serial Nos. 28-250001, 28-7125472 and up)
 (PA-28-180 - Serial Nos. 28-5653, 28-7205092 and up)
 (PA-28R-200 - Serial Nos. 28R-7235001 and up)

THIS PAGE INTENTIONALLY LEFT BLANK

PIPER PARTS CATALOG

Figure and Index Number	Part Number	Code	NOMENCLATURE	No. Req.	SERIAL NUMBERS AFFECTED
32A-	99109		DRAWING - Air Conditioning Compressor and Alternator Installation		
	99290	D	DRAWING - Air Conditioning Refrigerant Lines Installation		
	99576	E	DRAWING - Air Conditioning Refrigerant Lines Installation		
	99602	F	DRAWING - Air Conditioning Refrigerant Lines Installation		
-1	555-412		COMPRESSOR ASSEMBLY - (F209-16754)	1	
-2	551-983	H	ALTERNATOR ASSEMBLY - Prestolite (ALY-6422)	1	
-3	554-761		CLUTCH ASSEMBLY - (10616)	1	
-4	462-110	B,D	RING GEAR ASSEMBLY - (LW11380)	1	
	462-111	C,D	RING GEAR ASSEMBLY - (LW11572)	1	
	462-112	E,F	RING GEAR ASSEMBLY - (LW16581)	1	
-5	452-824		BELT	1	
-6	452-823		BELT	1	
-7	99624-000		BRACKET ASSEMBLY - Compressor, upper	1	
-8	79584-008		BRACKET ASSEMBLY - Compressor, lower	1	
-9	99072-000	K	PULLEY ASSEMBLY - Alternator drive	1	
-10	553-230		BOLT - (NAS2906-20)	1	
	62833-082		WASHER - Alternator pulley	2	
	79558-002		NUT - Alternator pulley	1	
-11	95061-151		BUSHING - Alternator idler pulley	1	
-12	401-394		BOLT - (AN6-13A)	2	
	690-629		WASHER - (NAS1149F0663P)	2	
	404-532		NUT - (MS21042-6)	2	
-13	79886-011	J	BRACKET ASSEMBLY COMPLETE - Alternator support	1	
-14	79886-003		* CHANNEL ASSEMBLY - Alternator support	1	
-15	79886-004		* ARM ASSEMBLY - Alternator support	1	
-16	79886-007		* ARM ASSEMBLY - Alternator support	1	
-17	400-009		BOLT - (AN4-14A)	2	
	6900613		WASHER - (NAS1149F0432P)	2	
	404-530		NUT - (MS21042-4)	2	
-18	486-126		BOLT - (MS16997-81)	1	
-19	99592-002	D	HOSE ASSEMBLY - Suction	1	
	99592-005	E	HOSE ASSEMBLY - Suction	1	
	99592-007	F	HOSE ASSEMBLY - Suction	1	
-20	63904-056	D	HOSE - Suction	1	
	63904-060	E	HOSE - Suction	1	28-5653, 28-7205092 to 28-720328 inclusive
	63904-072	G	HOSE - Suction	1	

When ordering, always specify Part Number, Description, and Serial Number of Aircraft

PIPER PARTS CATALOG

Figure and Index Number	Part Number	Code	NOMENCLATURE	No. Req.	SERIAL NUMBERS AFFECTED
32A-21	565-415	G	HOSE ASSEMBLY - Receiver dehydrator to condenser	1	28-25001, 28-7125472 to 28-7625109 inclusive
	565-879	G	HOSE ASSEMBLY - Receiver dehydrator to condenser	1	28-7625110 and up
	565-441	K	HOSE ASSEMBLY - Receiver dehydrator to condenser	1	
	565-878	F	HOSE ASSEMBLY - Receiver dehydrator to condenser	1	28R-7635113 and up
-22	99592-003	G	HOSE ASSEMBLY - Discharge	1	
	99592-004	E	HOSE ASSEMBLY - Discharge	1	
	99592-006	F	HOSE ASSEMBLY - Discharge	1	
-23	63904-071	H	HOSE - Discharge	1	
	63904-080	G	HOSE - Discharge	1	28-7625110 and up
	565-582	F	HOSE - Discharge (length 125")	1	28R-7235001 to 28R-7635112 incl.
	565-864	F	HOSE - Discharge (length 117")	1	28R-7635113 and up
-24	755-272	J	HOSE ASSEMBLY - Discharge (length 19")	1	
	565-576	C	HOSE ASSEMBLY - Discharge (length 25")	1	
-25	554-678	L	CLAMP - (H-6)	1	
-26	554-678	B,L	CLAMP - (H-6)	1	
<p>A - Used on PA-28-140 with serial numbers 28-25001, 28-7125472 and up, PA-28-180 with serial numbers 28-5653, 28-7205092 and up, and PA-28R-200 with serial numbers 28R-7235001 and up.</p> <p>B - Used on PA-28-140 with serial numbers 28-250010, 28-7125472 and up, and PA-28-180 with serial numbers 28-5653, 28-7205092 and up.</p> <p>C - Used on PA-28-140 with serial numbers 28-7625110 and up, and PA-28R-200 with serial numbers 28R-7635113 and up.</p> <p>D - Used on PA-28R-200 with serial numbers 28R-7235001 and up.</p> <p>E - Used on PA-28-180 airplanes only.</p> <p>F - Used on PA-28R-200 airplanes only.</p> <p>G - Used on PA-28-140 airplanes only.</p> <p>H - Used on PA-28-140 with serial numbers 28-25001, 28-7125472 to 28-7625109 inclusive and PA-28-180 with serial numbers 28-5653, 28-7205092 to 28-7505261 inclusive.</p> <p>J - Used on PA-28-140 with serial numbers 28-25001, 28-7125472 to 28-7625109 inclusive, PA-28-180 with serial numbers 28-5653, 28-7205092 to 28-7505261 inclusive, and PA-28R-200 with serial numbers 28R-7235001 to 28R-7635112 inclusive.</p> <p>K - Used on PA-28-180 with serial numbers 28-5653, 28-7205092 to 28-7505261 inclusive, and PA-28R-200 with serial numbers 28R-7235001 to 28R-7635112 inclusive.</p> <p>L - Used if Refrigerant Line Fitting Replacement Kit 764-244 or 764-248 has not been installed.</p>					

When ordering, always specify Part Number, Description, and Serial Number of Aircraft

PIPER PARTS CATALOG

Figure and Index Number	Part Number	Code	NOMENCLATURE	No. Req.	SERIAL NUMBERS AFFECTED
32A-27	62833-083		WASHER	3	
-28	63897-006		CAPACITOR ASSEMBLY	3	
-28A	488-389		* TERMINAL	1	
-28B	690-076		* CAPACITOR - (17D201-105)	1	
-29	401-988		BOLT - (MS20074-06-11)	2	
	690-620		WASHER - (NAS1149F0632P)	2	
-30	400-616		BOLT - (AN8H7A)	1	
	690-631		WASHER - (NAS1149F0863P)	1	
-31	99526-000	B	BAFFLE SUPPORT - Right front	1	
-32	99580-000	C,D	CLIP ASSEMBLY - Left front baffle	1	
-33	99080-000		IDLER PULLEY ASSEMBLY - Compressor drive	1	
-34	401-971		BOLT - (MS20C74-05-06)	1	
	690-628		WASHER - (NAS1149F0563P)	2	
-35	401-987		BOLT - (MS20074-06-06)	1	
	690-620		WASHER - (NAS1149F0632P)	1	
-36	401-461		BOLT - (AN6H-22A)	2	
	690-629		WASHER - (NAS1149F0663P)	4	
	690-620		WASHER - (NAS1149F0632P)	2	
	407-726		WASHER - (AN960-D616L)	2	
-37	401-986		BOLT - (MS20074-06-05)	3	
	690-620		WASHER - (NAS1149F0632P)	3	
-38	401-970		BOLT - (MS20074-05-05)	4	
	690-619		WASHER - (NAS1149F0532P)	4	
-39	79437-000	B	BRACKET ASSEMBLY - Support fitting	1	
-40	477-691	C	NUT - (AN924-8)	2	
-41	451-906	E	ADAPTER	1	
	561-012	F	FITTING - (FC9158-08085)	1	
	584-258	F	REDUCER - (661FHD-8-10)	1	
-42	451-907	E	ADAPTER	1	
	561-013	F	FITTING - (FC9158-06065)	1	
	584-256	F	REDUCER - (42F-8-6)	1	
-43	451-908	E	ADAPTER	1	
	561-012	F	FITTING - (FC9158-0808S)	1	
	584-257	F	REDUCER - (42F-10-8)	1	
-44	451-907	B,D,E	ADAPTER	1	
	67982-002	C	ELBOW - Special	1	
	561-013	F	FITTING - (FC9158-0606S)	1	
	584-256	F	REDUCER - (42F-8-6)	1	
-45	554-679	B,E	CLAMP - (H-10)	2	
	554-678	C,D,E	CLAMP - (H-6)	2	

A - Used on PA-28-140 with serial numbers 28-25001, 28-7125472 and up PA-28-180 with serial numbers 28-5653, 28-7205092 and up and PA-28R-200 with serial numbers 28R-7235001 and up.
 B - Used on PA-28-140 airplanes only.
 C - Used on PA-28R-200 airplanes only.
 D - Used on PA-28-180 airplanes only.
 E - Used if Refrigerant Line Fitting Replacement Kit 764-244 or 764 248 has not been installed.
 F - Used if Refrigerant Line Fitting Replacement Kit 764-244 or 764-248 has been installed per Piper Service Spares Letter 387.

When ordering, always specify Part Number, Description, and Serial Number of Aircraft

THIS PAGE INTENTIONALLY LEFT BLANK

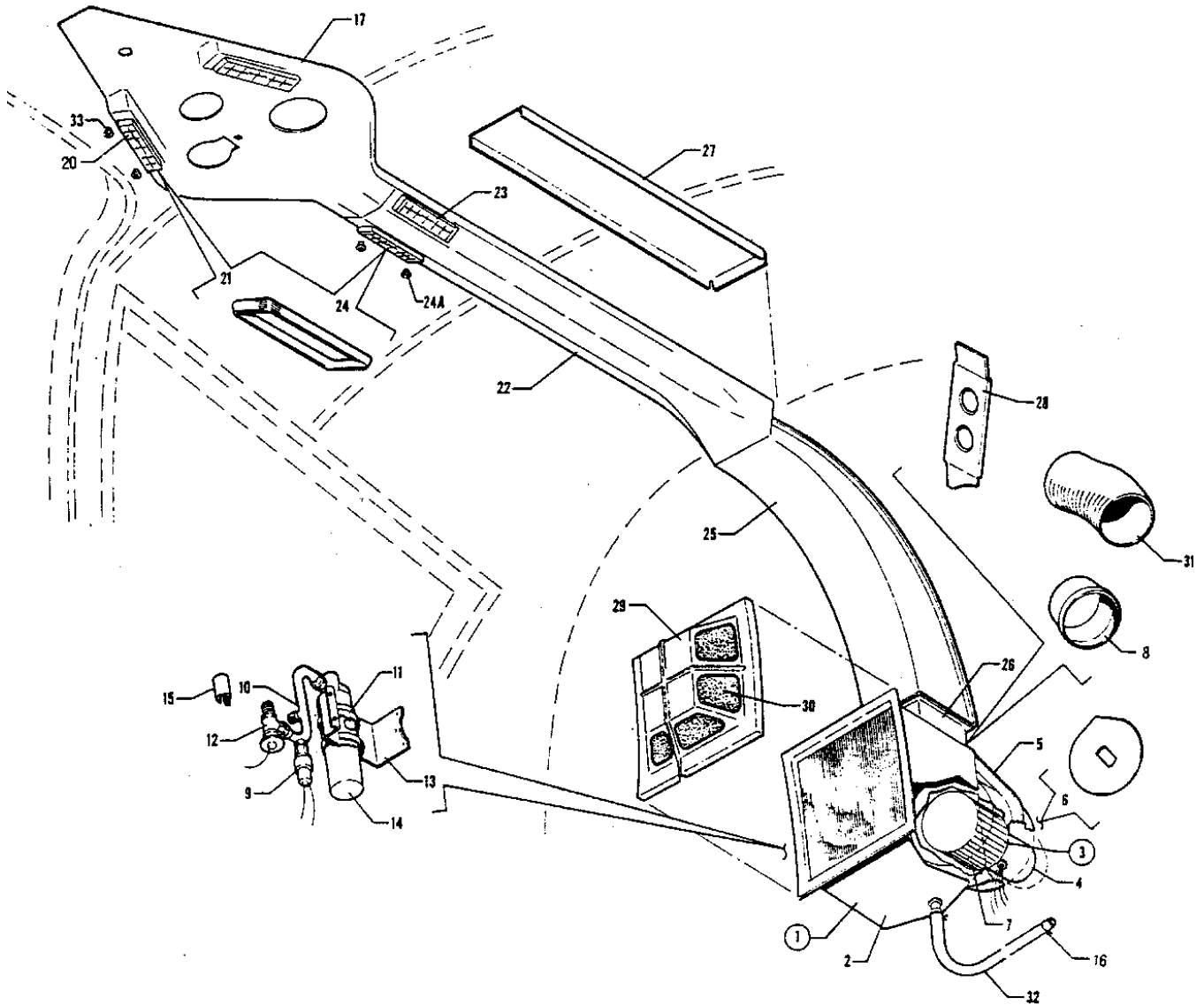


Figure 32B. Air Conditioning Duct and Evaporator Installation
 (PA-28-140 - Serial Nos. 28-25001, 28-7125147 and up)
 (PA-28-180 - Serial Nos. 28-5653, 28-7205092 and up)
 (PA-28R-200 - Serial Nos. 28R-7235001 and up)

THIS PAGE INTENTIONALLY LEFT BLANK

PIPER PARTS CATALOG

Figure and Index Number	Part Number	Code	NOMENCLATURE	No. Req.	SERIAL NUMBERS AFFECTED
32B-	99502	E	DRAWING - Air Conditioning Duct Installation		28-25001 28-7125472 to 28-7325684 inclusive 28-7425001 and up
	78185	E	DRAWING - Air Conditioning Duct Installation		
	99501	F	DRAWING - Air Conditioning Duct Installation		
	76306	G	DRAWING - Air Conditioning Duct Installation		
	99292		DRAWING - Evaporator Bulkhead Assembly		
-1	99640-000	B	EVAPORATOR ASSEMBLY - Air conditioning	1	
	99640-002	C	EVAPORATOR ASSEMBLY - Air conditioning	1	
-2	99640-003	B	* EVAPORATOR AND HOUSING ASSEMBLY A/C	1	
	99640-004	C	* EVAPORATOR AND HOUSING ASSEMBLY A/C	1	
-3	761-150		* BLOWER ASSEMBLY KIT - Evaporator	1	
-4	475-210	D	** MOTOR ASSEMBLY - Evaporator blower (UN-YY1S062)	1	
-5	37997-002		** COVER - Evaporator blower	1	
-6	99641-000		** PLATE ASSEMBLY - Motor mounting	1	
-7	452-935		* BLOWER - (AE424-316-1)	1	
-8	99633-000		* DUCT - Hose connect	1	
-9	99646-002		* SWITCH ASSEMBLY - Pressure	1	
-10	589-688		* LINE ASSEMBLY - Evaporator inlet (37245-6-6S)	1	
-11	554-926		* CLAMP - (SAE TY F-44)	2	
-12	99648-000		* VALVE ASSEMBLY - Evaporator expansion	1	
-13	99650-000		* BRACKET - Receiver dehydrator	1	
-14	456-615		* RECEIVER DEHYDRATOR	1	
-15	99661-000		* CLAMP - Bulb, expansion valve	1	
-16	454-983		CLAMP - (SAE TY F-8)	2	
<p>A - Used on PA-28-140 with serial numbers 28-25001, 28-7125472 and up, PA-28-180 with serial numbers 28-5653, 28-7205092 and up, and PA-28R-200 with serial numbers 28R-7235001 and up.</p> <p>B - Used on PA-28-140 with serial numbers 28-25001, 28-7125472 and up and PA-28-180 with serial numbers 28-5653, 28-7205092 and up.</p> <p>C - Used on PA-28R-200 with serial numbers 28R-7235001 and up.</p> <p>D - Used on PA-28-140 with serial numbers 28-25001, 28-7125472 and up, PA-28-180 with serial numbers 28-5653 28-7205092 and up, and PA-28R-200 with serial numbers 28R-7235001 and up if Blower Assembly Kit 761 150 has previously been installed.</p> <p>E - Used on PA-28-140 airplanes only.</p> <p>F - Used on PA-28-180 with serial numbers 28-5653, 28-7205092 to 28-7205611 inclusive and PA-28R-200 with serial numbers 28R-7235001 to 28R-7335455 inclusive.</p> <p>G - Used on PA-28-180 with serial numbers 28-7405001 and up, and PA-28R-200 with serial numbers 28R-7435001 and up.</p>					

When ordering, always specify Part Number, Description, and Serial Number of Aircraft

PIPER PARTS CATALOG

Figure and Index Number	Part Number	Code	NOMENCLATURE	No. Req.	SERIAL NUMBERS AFFECTED
32B-17	63428-013	G	PANEL ASSEMBLY - Cabin light and air conditioning duct (with speaker cutout)	1	
	63428-017	G	PANEL ASSEMBLY - Cabin light and air conditioning duct (less speaker cutout)	1	
	99500-000	J	PANEL ASSEMBLY - Cabin light and air conditioning duct	1	
	99500-004	K	PANEL ASSEMBLY - Cabin light and air conditioning duct	1	
	99500-006	H	PANEL ASSEMBLY - Cabin light and air conditioning duct	1	
-20	473-187		LOUVER ASSEMBLY - Forward (136-1M)	2	
-21	461-386		FRAME - Forward louver (173-M)	1	
-22	99522-002	B	DUCT ASSEMBLY - Air conditioning	1	
	99541-000	E	DUCT ASSEMBLY - Air conditioning	1	
	99541-002	F	DUCT ASSEMBLY - Air conditioning	2	
-23	473-187		* LOUVER ASSEMBLY - Rear (136-1M)	2	
-24	461-386		* FRAME - Rear louver (173-M)	8	
-24a	406-424		* NUT - (C2733-040-1)	1	
-25	99503-002	B,L	DUCT ASSEMBLY - Aft cabin bulkhead	1	
	99506-000	C,L	DUCT ASSEMBLY - Aft cabin bulkhead	1	
	99507-000	D,L	DUCT ASSEMBLY - Aft cabin bulkhead	1	
	79839-003	M	DUCT ASSEMBLY - Aft cabin bulkhead	1	
	99634-000	L	DUCT ASSEMBLY - Interconnect	1	
-26	79840-004	M	DUCT ASSEMBLY - Interconnect	1	
			A - Used on PA-28-140 with serial numbers 28-25001, 28-7125472 and up, PA-28-180 with serial numbers 28-5653 28-7205092 and up, and PA-28R-200 with serial numbers 28R-7235001 and up.		
			B - Used on PA-28-140 with serial numbers 28-25001 28-7125472 and up.		
			C - Used on PA-28R-200 with serial numbers 28R-7235001 and up.		
			D - Used on PA-28-180 with serial numbers 28-5653, 28-7205092 and up.		
			E - Used on PA-28-180 with serial numbers 28-5653, 28-7205092 to 28-7205328 inclusive.		
			F - Used on PA-28-180 with serial numbers 28-7305001 and up, and PA-28R-200 with serial numbers 28R-7235001 and up.		
			G - Used on PA-28-140 with serial numbers 28-25001, 28-7125472 to 28-7225612 inclusive.		
			H - Used on PA-28-140 with serial numbers 28-7425001 and up, PA-28-180 with serial numbers 28-7405001 and up, and PA-28R-200 with serial numbers 28R-7435001 and up.		
			J - Used on PA-28-140 with serial numbers 28-7325001 to 28-7325684 inclusive PA-28-180 with serial numbers 28-5653, 28-7205092 to 28-7205328 inclusive 28-7305066 to 28-7305611 inclusive, and PA-28R-200 with serial numbers 28R-7335102 to 28R-7335455 inclusive.		
			K - Used on PA-28-180 with serial numbers 28-7305001 to 28-7305065 inclusive, and PA-28R-200 with serial numbers 28R-7235001 to 28R-7335101 inclusive.		
			L - Used if duct assembly is riveted to aft cabin bulkhead.		
			M - Used if duct assembly is bonded to aft cabin bulkhead.		

When ordering, always specify Part Number, Description, and Serial Number of Aircraft

PIPER PARTS CATALOG

Figure and Index Number	Part Number	Code	NOMENCLATURE	No. Req.	SERIAL NUMBERS AFFECTED
32B-27	99505-000	B	CHANNEL - Air conditioning	1	28-25001, 28-7125472 to 28-7325684 inclusive 28-7425001 and up
	99505-002	B	CHANNEL - Air conditioning	1	
	99510-000	E	CHANNEL - Air conditioning	1	
	99510-002	G	CHANNEL - Air conditioning	1	
	76309-000	F	CHANNEL - Air conditioning	1	
-28	99539-002	H	SUPPORT ASSEMBLY - Evaporator box	1	
	99539-000	C,D	SUPPORT ASSEMBLY - Evaporator box	1	
-29	99550-003	H	COVER - Evaporator filter	1	
	99550-002	C,D	COVER - Evaporator filter	1	
-30	99644-000		FILTER - Evaporator	1	
-31	63633-100		HOSE - Air conditioning	1	
-32	63904-063	H	HOSE - Evaporator drain	1	
	63904-064	C,D	HOSE - Evaporator drain	1	
-33	406-424		NUT - (C2733-040-1)	8	
			<p>A - Used on PA-28-140 with serial numbers 28-25001, 28-7125472 and up, PA-28-180 with serial numbers 28-5653, 28-7205092 and up, and PA-28R-200 with serial numbers 28R-7235001 and up.</p> <p>B - Used on PA-28-140 airplanes only.</p> <p>C - Used on PA-28R-200 with serial numbers 28R-7235001 and up.</p> <p>D - Used on PA-28-180 with serial numbers 28-5653, 28-7205092 and up.</p> <p>E - Used on PA-28-180 with serial numbers 28-5653, 28-7205092 to 28-7205328 inclusive.</p> <p>F - Used on PA-28-180 with serial numbers 28-7405001 and up, and PA-28R-200 with serial numbers 28R-7435001 and up.</p> <p>G - Used on PA-28-180 with serial numbers 28-7305001 to 28-7305611 inclusive, and PA-28R-200 with serial numbers 28R-7235001 to 28R-7335455 inclusive.</p> <p>H - Used on PA-28-140 with serial numbers 28-25001, 28-7125472 and up.</p>		

When ordering, always specify Part Number, Description, and Serial Number of Aircraft

THIS PAGE INTENTIONALLY LEFT BLANK

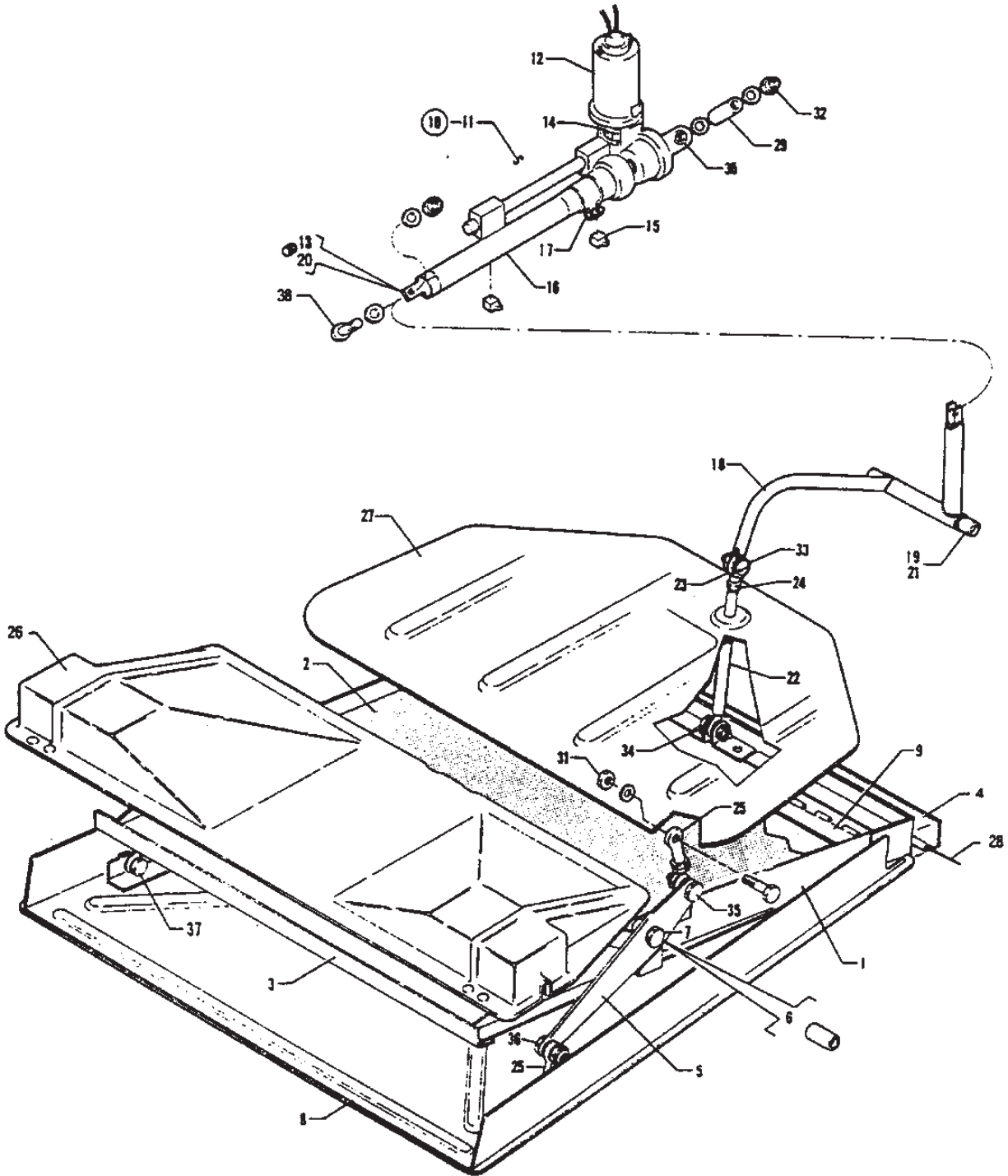


Figure 32C. Air Conditioning Condenser Installation
 (PA-28-140 - Serial Nos. 28-25001, 28-7125472 and up)
 (PA-28-180 - Serial Nos. 28-5653, 28-7205092 and up)
 (PA-28R-200 - Serial Nos. 28R-7235001 and up)

THIS PAGE INTENTIONALLY LEFT BLANK

PIPER PARTS CATALOG

Figure and Index Number	Part Number	Code	NOMENCLATURE	No. Req.	SERIAL NUMBERS AFFECTED
32C-	99288 99855	B C	DRAWING - Air Conditioning Condenser Installation DRAWING - Air Conditioning Condenser Installation		
-1	99387-000		CONDENSER ASSEMBLY - Air conditioning (complete)	1	
-2	555-457		* CONDENSER - (1E-1415C)	1	
-3	99263-000		* HINGE ASSEMBLY - Condenser door	1	
-4	99275-002		* HINGE - Half	1	
-5	99495-000		* BELLCRANK ASSEMBLY - Condenser door mechanism	2	
-6	65003-056		* BUSHING	2	
-7	401-273		* BOLT - (AN3-14A)	2	
	690-612		* WASHER - (NAS1149F0363P)	4	
	404-526		* NUT - (MS21042-3)	2	
-8	99271-000		DOOR ASSEMBLY - Louver	1	
-9	99275-002		* HINGE - Half	1	
-10	760-706	B	KIT - Transmission replacement	1	
-11	99854-000	C	* TRANSMISSION ASSEMBLY - Condenser door actuating (complete)	1	
-12	761-519	C	** MOTOR ASSEMBLY - Transmission (C145-200)	1	
-13	452-571	C	** BEARING - (AA225-1)	1	
-14	753-085	C	** UNIVERSAL ASSEMBLY - (B100-06)	1	
-15	757-718	C	** SWITCH - Limit (V3L-3-D9)	2	
-16	99853-000	C	** TUBE ASSEMBLY - Actuator	1	
-17	554-714	C	** CLAMP - (AN741-8P)	1	
-18	99867-000		* BELLCRANK ASSEMBLY - Condenser	1	
-19	452-570		** BUSHING - Bronze (FF565-2)	2	
-20	452-558	B	BEARING - Rod end	1	
-21	453-884	D	BUSHING - Nylon	2	
-22	99557-000		ROD ASSEMBLY - Condenser push	1	
-23	452-558		* BEARING - Rod end	2	
-24	400-224		* NUT - (AN315-3R)	1	
<p>A - Used on PA-28-140 with serial numbers 28-25001, 28-7125472 and up, PA-28-180 with serial numbers 28-5653, 28-7205092 and up, and PA-28R-200 with serial numbers 28R-7235001 and up.</p> <p>B - Used on PA-28-140 with serial numbers 28-25001, 28-7125472 to 28-7225185 inclusive, and PA-28-180 with serial numbers 28-5653, 28-7205092 to 28-7205179 inclusive if existing transmission does not include a switch mounting rod with two limit switches.</p> <p>C - Used on PA-28-140 with serial numbers 28-7225186 and up, PA-28-180 with serial numbers 28-7205180 and up, and PA-28R-200 with serial numbers 28R-7235001 and up. Also used on PA-28-140 with serial numbers 28-25001, 28-7125472 to 28-7225185 inclusive, and PA-28-180 with serial numbers 28-5653, 28-7205092 to 28-7205179 inclusive if existing transmission includes a switch mounting rod with two limit switches.</p> <p>D - Used on PA-28-140 with serial numbers 28-25001, 28-7125472 to 28-7225185 inclusive, and PA-28-180 with serial numbers 28-5653, 28-7205092 to 28-7205179 inclusive.</p>					

When ordering, always specify Part Number, Description, and Serial Number of Aircraft

PIPER PARTS CATALOG

Figure and Index Number	Part Number	Code	NOMENCLATURE	No. Req.	SERIAL NUMBERS AFFECTED
32C-25	99561-000		BEARING ASSEMBLY - Condenser door actuating	4	
-26	99572-000	B	COVER ASSEMBLY - Forward	1	
	99572-004	C	COVER ASSEMBLY - Forward	1	
-27	99569-000		COVER ASSEMBLY - Aft	1	
-28	99275-004		PIN - Hinge	1	
-29	65165-087		TUBE	2	
-30	452-561		BEARING - (AA304-20)	1	
-31	400-441		BOLT - (AN3-7A)	2	
	690-612		WASHER - (NAS1149F0363P)	6	
	404-526		NUT - (MS21042-3)	2	
-32	401-334		BOLT - (AN4-36A)	1	
	690-611		WASHER - (NAS1149F0463P)	3	
	404-530		NUT - (MS21042-4)	1	
-33	400-861		BOLT - (AN23-13A)	1	
	690-612		WASHER - (NAS1149F0363P)	1	
	404-526		NUT - (MS21042-3)	1	
-34	401-269		BOLT - (AN3-10A)	1	
	690-612		WASHER - (NAS1149F0363P)	3	
	404-526		NUT - (MS21042-3)	1	
-35	400-440		BOLT - (AN3-6A)	2	
	690-612		WASHER - (NAS1149F0363P)	4	
	404-156		NUT - (MS21083N3)	2	
-36	400-861		BOLT - (AN23-13A)	2	
	690-612		WASHER - (NAS1149F0363P)	2	
	62833-101		WASHER - (.56 O.D.)	2	
	404-526		NUT - (MS21042-3)	2	
-37	400-861		BOLT - (AN23-13A)	2	
	690-612		WASHER - (NAS1149F0363P)	4	
	62833-101		WASHER - (.56 O.D.)	2	
	404-526		NUT - (MS21042-3)	2	
-38	400-861		BOLT - (AN23-13A)	1	
	690-612		WASHER - (NAS1149F0363P)	1	
	404-526		NUT - (MS21042-3)	1	

A - Used on PA-28-140 with serial numbers 28-25001, 28-7125472 and up, PA-28-180 with serial numbers 28-5653, 28-7205092 and up, and PA-28R-200 with serial numbers 28R-7235001 and up.

B - Used on PA-28-140 with serial numbers 28-25001, 28-7125472 to 28-7625109 inclusive, PA-28-180 with serial numbers 28-5653, 28-7205092 to 28-7205261 inclusive, and PA-28R-200 with serial numbers 28R-7235001 to 28R-7635112 inclusive.

C - Used on PA-28-140 with serial numbers 28-7625110 and up, and PA-28R-200 with serial numbers 28R-7635113 and up.

When ordering, always specify Part Number, Description, and Serial Number of Aircraft

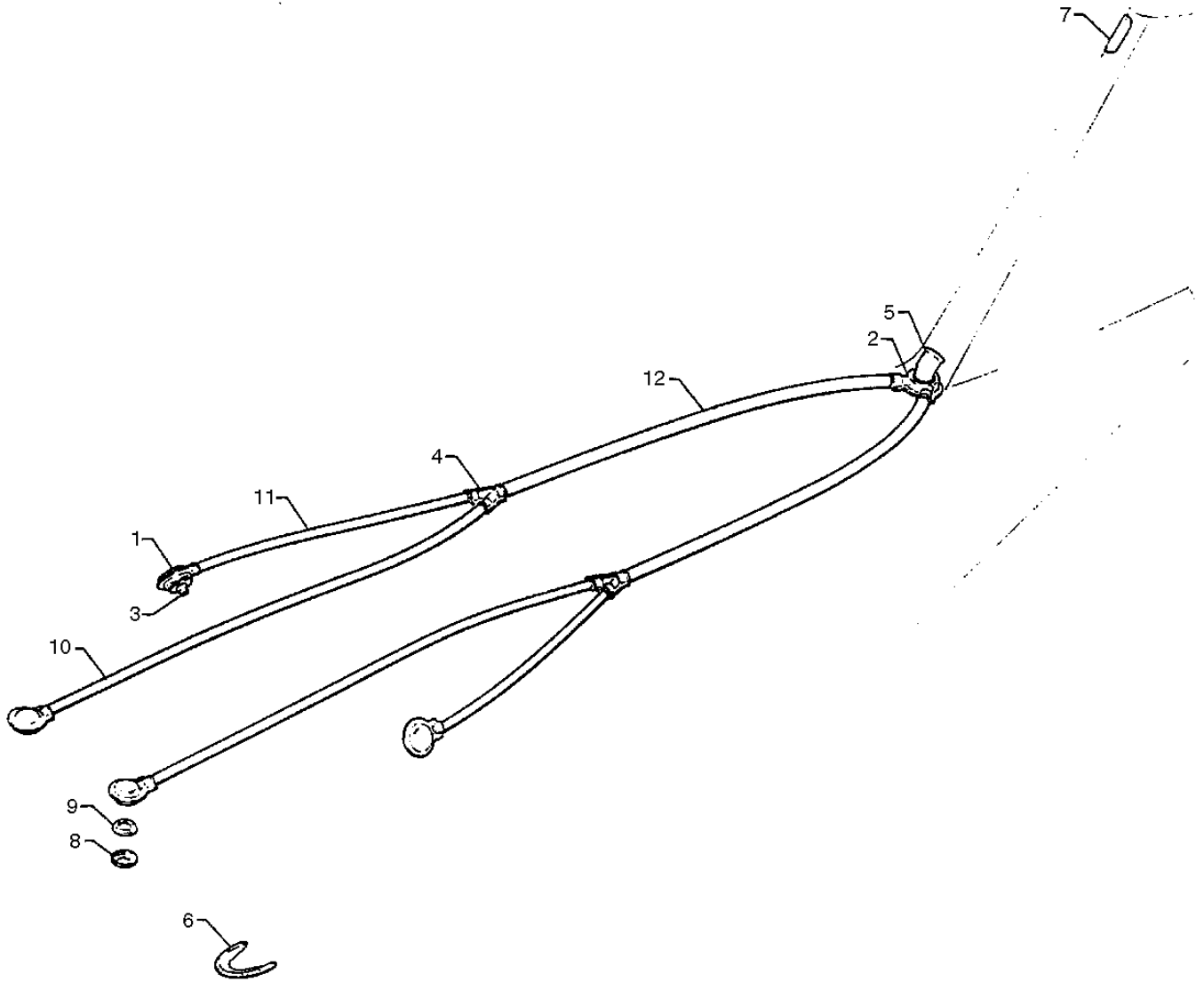


Figure 32D. Cabin Overhead Air Vent Installation
 (PA-28-140 - Serial Nos. 28-26401 to 28-7325684 inclusive)
 (PA-28-180 - Serial Nos. 28-5601 to 28-7305611 inclusive)
 (PA-28-235 - Serial Nos. 28-11301 to 28-7310187 inclusive)
 (PA-28R-180 - Serial Nos. 28R-31251 to 28R-7130019 inclusive)
 (PA-28R-200 - Serial Nos. 28R-35601 to 28R-7335455 inclusive)

PA-28-140
 PA-28-180
 PA-28-235
 PA-28R-180
 PA-28R-200

THIS PAGE INTENTIONALLY LEFT BLANK

PIPER PARTS CATALOG

Figure and Index Number	Part Number	Code	NOMENCLATURE	No. Req.	SERIAL NUMBERS AFFECTED
32D-	66963		DRAWING - Cabin Overhead Air Vent Installation		
	760-900	D	KIT - Fresh air vent modification		
	760-901	D	KIT - Fresh air vent modification		
	760-902	D	KIT - Fresh air vent modification		
-1	66950 000		BOX ASSEMBLY - Air vent, front, left	1	
	66950-001		BOX ASSEMBLY - Air vent, front, right	1	
	66950-002	B	BOX ASSEMBLY - Air vent, rear, left	1	
	99748-000	C	BOX ASSEMBLY - Air vent, rear, left	1	
	66950-003	B	BOX ASSEMBLY - Air vent, rear, right	1	
	99748-001	C	BOX ASSEMBLY - Air vent, rear, right	1	
			A - Used on PA-28-140 with serial numbers 28-26401 to 28-7325684 inclusive, PA-28-180 with serial numbers 28-5601 to 28-7305611 inclusive, PA-28R-180 with serial numbers 28R-31251 to 28R-7130019 inclusive, PA-28R-200 with serial numbers 28R-35601 to 28R-7335455 inclusive, and PA-28-235 with serial numbers 28-11301 to 28-7310187 inclusive.		
			B - Used on PA-28-140 with serial numbers 28-26401 to 28-7125651 inclusive, PA-28-180 with serial numbers 28-5601 to 28-7105244 inclusive, PA-28-235 with serial numbers 28-11301 to 28-7110042 inclusive, PA-28R-180 with serial numbers 28R-31251 to 28R-7130019 inclusive, and PA-28R-200 with serial numbers 28R-35601 to 28R-7135238 inclusive.		
			C - Used on PA-28-140 with serial numbers 23-7225001 to 28-7325684 inclusive, PA-28-180 with serial numbers 28-7205001 to 28-7305611 inclusive, PA-28-235 with serial numbers 28-7210001 to 28-7310187 inclusive, and PA-28R-200 with serial numbers 28R-7235001 to 28R-7335455 inclusive.		
			D - Reference latest revision of Piper Service Letter 738. Used in PA-28-140 Cherokee Cruiser with serial numbers 28-7425001 to 28-7425444 inclusive, 28-7535001 to 28-7525118 inclusive, PA-28-180 Cherokee Archer with serial numbers 28-7405001 to 28-7405280 inclusive, 28-7505001 to 28-7505097 inclusive, PA-28-235 Cherokee Pathfinder with serial numbers 28-7410001 to 28-7410110 inclusive, 28-751001 to 28-7510031 inclusive, and PA-28R-200 Cherokee Arrow II with serial numbers 28-7435001 to 28-7435323 inclusive and 28-7535001 to 28-7535094 inclusive.		

When ordering, always specify Part Number, Description, and Serial Number of Aircraft

PIPER PARTS CATALOG

Figure and Index Number	Part Number	Code	NOMENCLATURE	No. Req.	SERIAL NUMBERS AFFECTED
32D-2	66962-000		BOX ASSEMBLY - Air	1	
-3	492-162		VALVE ASSEMBLY - Air (2215)	4	
-4	66959-000		TUBE ASSEMBLY - Air separator	2	
-5	66978-000		TUBE ASSEMBLY - Air vent	1	
-6	66965-000		SCOOP - Cabin air outlet	1	
-7	66964-002		COVER - Cabin air inlet	1	
-8	66957-000		COVER - Air vent	4	
-9	66956-000		RING - Air vent attachment	4	
-10	63904-025	D	HOSE - Plastic	2	
	63904-070	E	HOSE - Plastic	2	
-11	63904-026	B	HOSE - Plastic	2	
	63904-066	C	HOSE - Plastic	2	
-12	63904-027		HOSE - Plastic	2	
<p>A - Used on PA-28-140 with serial numbers 28-26401 to 28-7325684 inclusive, PA-28-180 with serial numbers 28-5601 to 28-7305611 inclusive, PA-28R-180 with serial numbers 28R-31251 to 28R-7130019 inclusive, PA-28R-200 with serial numbers 28R-35601 to 28R-7335455 inclusive, and PA-28-235 with serial numbers 28-11301 to 28-7310187 inclusive.</p> <p>B - Used on PA-28-140 with serial numbers 28-26401 to 28-7125651 inclusive, PA-28-180 with serial numbers 28-5601 to 28-7105244 inclusive, PA-28-235 with serial numbers 28-11301 to 28-7110042 inclusive, PA-28R-180 with serial numbers 28R-31251 to 28R-7130019 inclusive, and PA-28R-200 with serial numbers 28R-35601 to 28R-7135238 inclusive.</p> <p>C - Used on PA-28-140 with serial numbers 23-7225001 to 28-7325684 inclusive, PA-28-180 with serial numbers 28-7205001 to 28-7305611 inclusive, PA-28-235 with serial numbers 28-7210001 to 28-7310187 inclusive, and PA-28R-200 with serial numbers 28R-7235001 to 28R-7335455 inclusive.</p> <p>D - Used on PA-28-140 with serial numbers 28-26401 to 28-7325684 inclusive, PA-28-180 with serial numbers 28-5601 to 28-7205328 inclusive, PA-28R-180 with serial numbers 28R-31251 to 28R-7130019 inclusive, PA-28R-200 with serial numbers 28R-35601 to 28R-7135238 inclusive, and PA-28-235 with serial numbers 28-11301 to 28-7210033 inclusive.</p> <p>E - Used on PA-28-180 with serial numbers 28-7305001 to 28-7305611 inclusive, PA-28-235 with serial numbers 28-7310001 to 28-7310187 inclusive, and PA-28R-200 with serial numbers 28R-7235001 to 28R-7335455 inclusive.</p>					

PA-28-140
PA-28-180
PA-28-235
PA-28R-180
PA-28R-200

When ordering, always specify Part Number, Description, and Serial Number of Aircraft

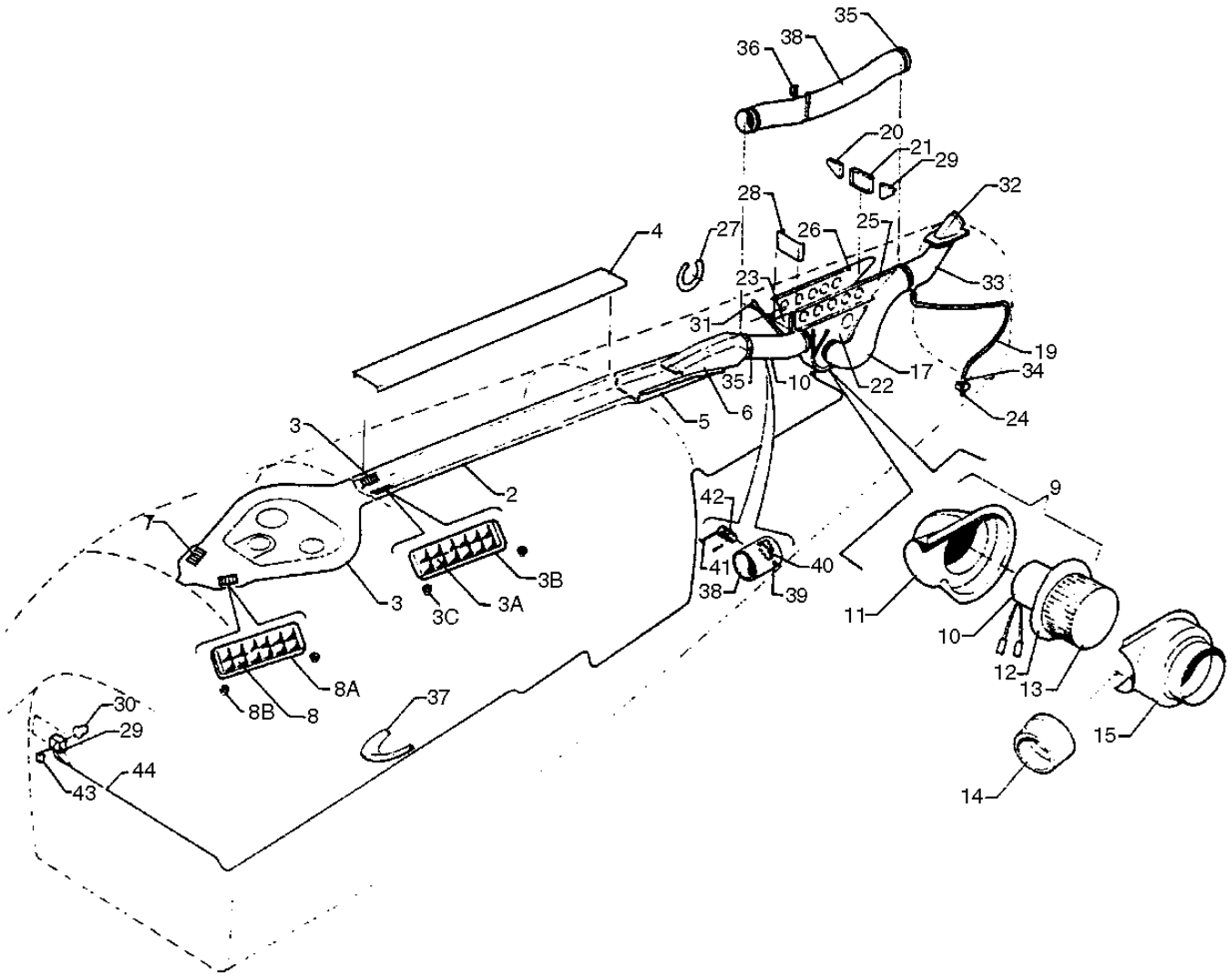


Figure 32E. Fresh Air Ventilation Installation
 (PA-28-140 - Serial Nos. 28-7425001 and up)
 (PA-28-180 - Serial Nos. 28-7405001 and up)
 (PA-28-235 - Serial Nos. 28-741001 and up)
 (PA-28R-200 - Serial Nos. 28R-7435001 and up)

PA-28-140
 PA-28-180
 PA-28-235
 PA-28R-200

THIS PAGE INTENTIONALLY LEFT BLANK

PIPER PARTS CATALOG

Figure and Index Number	Part Number	Code	NOMENCLATURE	No. Req.	SERIAL NUMBERS AFFECTED
32E-	79278 79273		DRAWING - Ram Air Ventilation Installation DRAWING - Blower Ventilation Installation		
-1	79187-000 99500 008 99500-006	F C C	PANEL ASSEMBLY - Ventilation PANEL ASSEMBLY - Ventilation (less speaker hole) PANEL ASSEMBLY - Ventilation (with speaker hole)	1 1 1	
-2	79186-000 79186-004 79186-008 76307-000 76307-004 76307-000 76307-004 76307-007	B,G B B H,G J D,G	DUCT ASSEMBLY - Center, ventilation DUCT ASSEMBLY - Center, ventilation DUCT ASSEMBLY - Center, ventilation DUCT ASSEMBLY - Center, ventilation DUCT ASSEMBLY - Center, ventilation DUCT ASSEMBLY - Center, ventilation DUCT ASSEMBLY - Center, ventilation DUCT ASSEMBLY - Center, ventilation	1 1 1 1 1 1 1 1	28-7425001 to 28-7525118 incl. 28-7525119 to 28-7625284 incl. 28-7725001 and up
-3	462-080 492-338	K L	* VENT ASSEMBLY * VENT ASSEMBLY	2 2	28R-7435001 to 28R-7535094 incl. 28R-7535095 to 28R-7635503 incl.
<p>A - Used on PA-28-140 with serial numbers 28-7425001 and up, PA-28-180 with serial numbers 28-7405001 and up, PA-28-235 with serial numbers 28-7410001 and up, and PA-28R-200 with serial numbers 28R-7435001 and up.</p> <p>B - Used on PA-28-140 airplanes only.</p> <p>C - Used on PA-28-140 with serial numbers 28-7725001 and up, PA-28-235 with serial numbers 28-7710001 and up, and PA-28R-200 with serial numbers 28R-7635504 and up.</p> <p>D - Used on PA-28R-200 airplanes only.</p> <p>E - Used on PA-28-235 with serial numbers 28-7710001 and up, and PA-28R-200 with serial numbers 28R-7635503 and up.</p> <p>F - Used on PA-28-140 with serial numbers 28-7425001 to 28-7625284 inclusive, PA-28-180 with serial numbers 28-7405001 and up, PA-28-235 with serial numbers 28-7410001 to 28-7610206 inclusive, and PA-28R-200 with serial numbers 28R-7435001 to 28R-7635503 inclusive.</p> <p>G - Order part for next higher serial numbers if Fresh Air Flapper Valve Kit 760-900 or 760-901 has been installed per Piper Service Letter 738.</p> <p>H - Used on PA-28-180 with serial numbers 28-7405001 to 28-7505097 inclusive, and PA-28-235 with serial numbers 28-7410001 to 28-7510031 inclusive.</p> <p>J - Used on PA-28-180 with serial numbers 28-7505098 and up, and PA-28-235 with serial numbers 28-7510032 to 28-7610206 inclusive.</p> <p>K - Used on PA-28-140 with serial numbers 28-7425001 to 28-7525015 inclusive, PA-28-180 with serial numbers 28-7405001 to 28-7505020 inclusive, PA-28-235 with serial numbers 28-7410001 to 28-7510008 inclusive, and PA-28R-200 with serial numbers 28R-7435001 to 28R-7535017 inclusive.</p> <p>L - Used on PA-28-140 with serial numbers 28-7525016 to 28-7625284 inclusive, PA-28-180 with serial numbers 28-7505021 and up, PA-28-235 with serial numbers 28-7535018 to 28-7610206 inclusive, and PA-28R-200 with serial numbers 28R-7525018 to 28R-7635503 inclusive.</p>					

When ordering, always specify Part Number, Description, and Serial Number of Aircraft

PIPER PARTS CATALOG

Figure and Index Number	Part Number	Code	NOMENCLATURE	No. Req.	SERIAL NUMBERS AFFECTED
32E-3a	473-187	G	* LOUVER - (136-1M)	2	
-3b	461-386	G	* FRAME - (173-M)	2	
-3c	406-424	G	* NUT - (C2733-040-4)	8	
-4	99505 002	B	CHANNEL - Ventilation	1	
	76309-000	C,D	CHANNEL - Ventilation	1	
-5	79189-000	B	DUCT - Ventilation bulkhead	1	
	76308-000	C	DUCT - Ventilation bulkhead	1	
	76305-000	D	DUCT - Ventilation bulkhead	1	
-6	79192-000		INTERCONNECT - Ventilation bulkhead	1	
-7	462-080	E	VENT ASSEMBLY - (10-0549-1C-C)	2	
	492-339	F	VENT ASSEMBLY	2	
-8	473-187	G	LOUVER - (136-1M)	2	
-8a	461-386	G	FRAME - (173-M)	2	
-8b	406-424	G	NUT - (C2733-040-1)	8	
-9	751-150	H	BLOWER ASSEMBLY KIT - Fresh air	1	
	99642-003	J	BLOWER ASSEMBLY - Fresh air	1	
-10	475-210	K	* MOTOR ASSEMBLY - Fresh air blower	1	
<p>A - Used on PA-28-140 with serial numbers 28-7425001 and up, PA-28-180 with serial numbers 28-7405001 and up, PA-28-235 with serial numbers 28-7410001 and up, and PA-28R-200 with serial numbers 28R-7435001 and up.</p> <p>B - Used on PA-28-140 airplanes only.</p> <p>C - Used on PA-28-180 and PA-28-235 airplanes only.</p> <p>D - Used on PA-28R-200 airplanes only.</p> <p>E - Used on PA-28-140 with serial numbers 28-7425001 to 28-7525015 inclusive, PA-28-180 with serial numbers 28-7405001 to 28-7505020 inclusive, PA-28-235 with serial numbers 28-7410001 to 28-7510008 inclusive, and PA-28R-200 with serial numbers 28R-7435001 to 28R-7535017 inclusive.</p> <p>F - Used on PA-28-140 with serial numbers 28-7525016 to 28-7625284 inclusive, PA-28-180 with serial numbers 28-7505021 and up, PA-28-235 with serial numbers 28-7535018 to 28-7610206 inclusive, and PA-28R-200 with serial numbers 28R-7525018 to 28R-7635503 inclusive.</p> <p>G - Used on PA-28-140 with serial numbers 28-7725001 and up, PA-28-235 with serial numbers 28-7710001 and up, and PA-28R-200 with serial numbers 28R-7635504 and up.</p> <p>H - Used on PA-28-140 with serial numbers 28-7425001 and up, PA-28-180 with serial numbers 28-7405001 and up, PA-28-235 with serial numbers 28-7410001 to 28-7710064 inclusive, and PA-28R-200 with serial numbers 28R-7435001 and up.</p> <p>J - Used on PA-28-235 with serial numbers 28-7710065 and up.</p> <p>K - Used on PA-28-235 with serial numbers 28-7710065 and up. Also used on PA-28-140 with serial numbers 28-7405001 and up, PA-28-235 with serial numbers 28-7410001 to 28-7710064 inclusive, and PA-28R-200 with serial numbers 28R-7135001 and up if Blower Assembly Kit 761 150 has previously been installed.</p>					

When ordering, always specify Part Number, Description, and Serial Number of Aircraft

PA-28-140
PA-28-180
PA-28-235
PA-28R-200

PIPER PARTS CATALOG

Figure and Index Number	Part Number	Code	NOMENCLATURE	No. Req.	SERIAL NUMBERS AFFECTED
32E-11	37997-002		* COVER - Fresh air blower	1	
-12	99641-000		* PLATE ASSEMBLY - Motor mounting	1	
-13	452-935		BLOWER - (AE424-316-1)	1	
-14	99633-000		DUCT - Hose connect	1	
-15	79264-000		COVER ASSEMBLY - Fresh air blower	1	
-16	63633-123	B,F	HOSE	1	28-7425001 to 28-7525118 incl.
	63633-150	B	HOSE	1	28-7525119 and up
	63633-124	D,F	HOSE	1	
	63633-148	E	HOSE	1	
	63633-125	C,F	HOSE	1	28R-7435001 to 28R-7535094 incl.
	63633-148	C	HOSE	1	28R-7535095 and up
-17	63633-126		HOSE	1	
-18	63633-128	B,F	HOSE	1	28-7425001 to 28-7525118 incl.
	63633-151	B	HOSE	1	28-7525119 and up
	63693-129	D,F	HOSE	1	
	63633-154	E	HOSE	1	
	63633-130	C,F	HOSE	1	28R-7435001 to 28R-7535094 incl.
	63633-154	C	HOSE	1	28R-7535095 and up
-19	63904-089		TUBE - Drain	1	
-20	79035-000		GUSSET ASSEMBLY - Intercostal	2	
-21	79286-000		BRACKET - Intercostal, aft	1	
-22	79281-000		HANGER ASSEMBLY - Blower, left	1	
-23	79282-000		HANGER ASSEMBLY - Blower, right	1	
-24	79290-000		TUBE ASSEMBLY - Drain	1	
-25	79280-000		INTERCOSTAL - Blower bracket support, left	1	
-26	79287-000		INTERCOSTAL - Blower bracket support, right	1	
-27	79284-000		RETAINER - Housing	1	
-28	79285-000		BRACKET - Intercostal, forward	1	
-29	763-814		SWITCH REPLACEMENT KIT - Fan (4 position)	1	
-30	571-162	G	KNOB - (RB-67-1-SB-M)	1	
-31	79303-000		BRACE - Hanger	2	
-32	79270-000		FITTING ASSEMBLY - Air duct, upper	1	
-33	79271-000		FITTING ASSEMBLY - Air duct, lower	1	
<p>A - Used on PA-28-140 with serial numbers 28-7425001 and up, PA-28-180 with serial numbers 28-7405001 and up, PA-28-235 with serial numbers 28-7410001 and up, and PA-28R-200 with serial numbers 28R-7435001 and up.</p> <p>B - Used on PA-28-140 airplanes only.</p> <p>C - Used on PA-28R-200 airplanes only.</p> <p>D - Used on PA-28-180 with serial numbers 28-7405001 to 28-7505097 inclusive, and PA-28-235 with serial numbers 28-7410001 to 28-7510031 inclusive.</p> <p>E - Used on PA-28-180 with serial numbers 28-7505098 and up, and PA-28-235 with serial numbers 28-7510032 and up.</p> <p>F - Order part for next higher serial numbers if Fresh Air Flapper Valve Kit 760-900 or 760-901 has been installed per Piper Service Letter 738, latest revision.</p> <p>G - Used with the four position fan switch only.</p>					

When ordering, always specify Part Number, Description, and Serial Number of Aircraft

PIPER PARTS CATALOG

Figure and Index Number	Part Number	Code	NOMENCLATURE	No. Req.	SERIAL NUMBERS AFFECTED
32E-34	554-861		CLAMP - (SAE TY F-4)	2	
-35	554-640		CLAMP - (SAE TY A-4 5/8)	4	
-36	79292-000		STRAP - Fresh air hose support	1	
-37	66965-000		SCOOP - Cabin air outlet	1	
-38	69885-000	B,F	FLAPPER VALVE ASSEMBLY - Fresh air intake	1	
-39	69885-002	B,F	* SHAFT ASSEMBLY	1	
-40	69885-003	B,F	* FLAPPER ASSEMBLY	1	
-41	63902-025	C,F	CABLE ASSEMBLY - Fresh air flapper	1	
	63902-026	D,F	CABLE ASSEMBLY - Fresh air flapper	1	28-7525119 and up
	554-365	E,F	CABLE ASSEMBLY - Fresh air flapper	1	28R-7535095 and up
-42	70371-002	B,F	FITTING - Swivel	1	
	70371-003	B,F	STUD - Swivel fitting	1	
	690-612	B,F	WASHER - (NAS1149F0363P)	1	
	404-392	B,F	NUT - (AN320-2)	1	
	424-051	B,F	COTTER PIN - (MS24665-132)	1	
-43	454-709		CIRCUIT BREAKER - 20 amp	1	
-44	79293-004		CABLE - Blower	1	
<p>A - Used on PA-28-140 with serial numbers 28-7425001 and up, PA-28-180 with serial numbers 28-7405001 and up, PA-28-235 with serial numbers 28-7410001 and up, and PA-28R-200 with serial numbers 28R-7435001 and up.</p> <p>B - Used on PA-28-140 with serial numbers 28-7525119 and up, PA-28-180 with serial numbers 28-7505098 and up, PA-28-235 with serial numbers 28-7510032 and up, and PA-28R-200 with serial numbers 28R-7535095 and up.</p> <p>C - Used on PA-28-180 with serial numbers 28-7505098 and up, and PA-28-235 with serial numbers 28-7510032 and up.</p> <p>D - Used on PA-28-140 airplanes only.</p> <p>E - Used on PA-28R-200 airplanes only.</p> <p>F - Also used on earlier serial numbers if Fresh Air Flapper Valve Kit 760-900 or 760-901 has been installed per Piper Service Letter 738.</p>					

When ordering, always specify Part Number, Description, and Serial Number of Aircraft

PA-28-140
PA-28-180
PA-28-235
PA-28R-200

SECTION 3

CHASSIS GROUP

THIS PAGE INTENTIONALLY LEFT BLANK

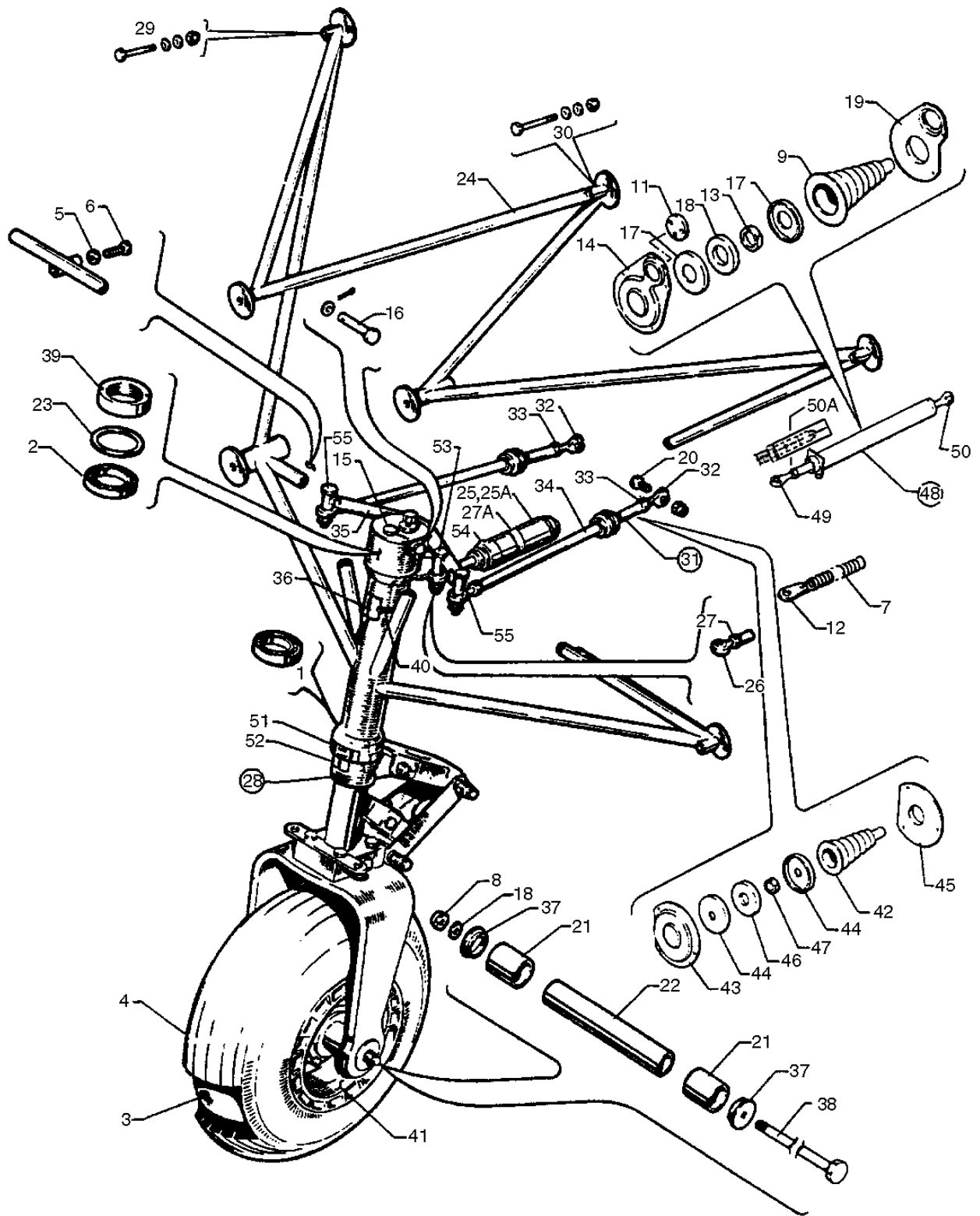


Figure 33. Nose Gear Installation

PA-28-140
 PA-28-150
 PA-28-160
 PA-28-180
 PA-28-235

THIS PAGE INTENTIONALLY LEFT BLANK

PIPER PARTS CATALOG

Figure and Index Number	Part Number	Code	NOMENCLATURE	No. Req.	SERIAL NUMBERS AFFECTED
33-	63319 63368 62172 79108 65011 76412	K E A A	DRAWING - Nose Landing Gear Installation DRAWING - Nose Landing Gear Installation DRAWING - Nose Landing Gear Installation DRAWING - Nose Landing Gear Installation DRAWING - Nose Landing Gear Installation DRAWING - Nose Landing Gear Installation		28-1 to 28-220 incl. 28-221 to 28-507 inclusive 28-10003 to 28-7310187 incl. 28-7410001 and up
-1	452-332		BEARING - Main (KP33B)	1	
-2	452-333	D	BEARING - Main (B545)	1	
	452-333	A	BEARING - Main (B545)	1	28-10003 to 28-10719 incl.
	452-419	A	BEARING - Main (15266-00)	1	28-10720 and up
-3	451-735		TUBE - Tire (6.00 x 6)	1	
-4	761-970		TIRE - (6.00 x 6, 4 ply) B. F. Goodrich	1	
	761-994		TIRE - (6.00 x 6, 4 ply) McCreary Airhawk	1	
-5	405-580	F	NUT - (1/4-20)	2	
	404-322	A,E	NUT - (AN316-4R)	2	
-6	85061-000	F	CAP SCREW	2	
	402-775	A,E	BOLT - (NAS428-4-12)	2	
-7	67203-000	A	SPRING - Rudder centering	2	28-7310001 to 28-7310187 incl.
-8	404-531	B	NUT - (MS21042-5)	2	
	404-532	C	NUT - (MS21042-6)	1	
-9	35270-000	G	BOOT - Nose wheel bungee	2	
-10	690-628	B	WASHER - (NAS1149F0663P)	2	
	690-629	C	WASHER - (NAS1149F0663P)	2	
-11	63915-017	J	DISC - Firewall seal	2	28-7405001 and up
-12	76324-000	A	LINK - Rudder centering	2	28-7310001 to 28-7310187 incl.
-13	63656-002		PACKING - Seal	2	
-14	35284-002	G	HOUSING - Bungee seal, left	1	
	35284-002	H	HOUSING - Bungee seal, right	1	
	35433-000	J	HOUSING - Bungee seal, right	1	28-7405001 and up
-15	401-918		BOLT - (AN74A-3)	1	

A - Used on PA-28-235 airplanes only.
 B - Used with 5/16" x 9 3/8" axle.
 C - Used with 3/8 axle bolt.
 D - Used on PA-28-150, PA-28-160, PA-28-180 and PA-28-140 airplanes only.
 E - Used on PA-28-140 with serial numbers 28-7425001 and up, and PA-28-180 with serial numbers 28-7405001 and up.
 F - Used on PA-28-140 with serial numbers 28-20002 to 28-7325684 inclusive, PA-28-150, PA-28-160 and PA-28-180 with serial numbers 28-1 to 28-7305611 inclusive.
 G - Used on PA-28-140 with serial numbers 28-7425001 and up, PA-28-180 with serial numbers 28-7405001 and up, and PA-28-235 with serial numbers 28-7410001 and up.
 H - Used on PA-28-140 with serial numbers 28-7425001 and up, and PA-28-235 with serial numbers 28-7410001 and up.
 J - Used on PA-28-180 airplanes only.
 K - Used on PA-28-150, PA-28-160 and PA-28-180 with serial numbers 28-508 to 28-7305611 inclusive, and PA-28-140 with serial numbers 28-20002 to 28-7325684 inclusive.

When ordering, always specify Part Number, Description, and Serial Number of Aircraft

PA-28-140
 PA-28-150
 PA-28-160
 PA-28-180
 PA-28-235

PIPER PARTS CATALOG

Figure and Index Number	Part Number	Code	NOMENCLATURE	No. Req.	SERIAL NUMBERS AFFECTED	
33 -16	424-230	A	PIN - Flat head (MS20392-3C73)	1	28-7405001 and up	
	402-324	H	BOLT - (AN174-25A)	1		
	407-588	A	WASHER - (NAS1149D0416J)	1		
	690-613	H	WASHER - (NAS1149F0432P)	1		
	424-095	A	COTTER PIN - (MS24665-151)	1		
	404-530	H	NUT - (MS21042-4)	1		
	-17	35283-000	D	HOUSING - Bungee seal		4
	-18	35282-004	D	RING - Bungee seal		2
	-19	35281-000	D	PLATE - Bungee seal, left		1
		35281-000	L	PLATE - Bungee seal, right		1
	-20	35432-000	J	PLATE - Bungee seal, right		1
		400-441	E	BOLT - (AN3-7A)		2
		400-440	B,C,D	BOLT - (AN3-6A)		2
	-21	404-526		NUT - (MS21042-3)		2
		66618-000	G	TUBE - Spacer, nose wheel (on axle tube)		2
		66618-002	F	TUBE - Spacer, nose wheel (on axle tube)		2
-22	66618-003	K	TUBE - Spacer, nose wheel (on axle tube)	2		
	86062-056		TUBE - Axle, nose wheel	1		
-23	85012-072		WASHER	1		
			<p>A - Used on PA-28-140 with serial numbers 28-20002 to 28-7525244 inclusive, PA-28-150, PA-28-160 and PA-28-180 with serial numbers 28-1 to 28-7505177 inclusive, and PA-28-235 airplanes.</p> <p>B - Used on PA-28-140 with serial numbers 28-7425001 and up, and PA-28-180 with serial numbers 28-7405001 and up.</p> <p>C - Used on PA-28-235 with serial numbers 28-7410001 and up.</p> <p>D - Used on PA-28-140 with serial numbers 28-7425001 and up, PA-28-180 with serial numbers 28-7405001 and up, and PA-28-235 with serial numbers 28-7410001 and up.</p> <p>E - Used on PA-28-140 with serial numbers 28-20002 to 28-7325684 inclusive, PA-28-150, PA-28-160 and PA-28-180 with serial numbers 28-1 to 28-7305611 inclusive, and PA-28-235 with serial numbers 28-10003 to 28-7310187 inclusive.</p> <p>F - Used with McCauley Model D-30625 Wheel Assembly only.</p> <p>G - Used with Cleveland Model 38501 Wheel Assembly only.</p> <p>H - Used on PA-28-140 with serial numbers 28-7525245 and up, and PA-28-180 with serial numbers 28-7505178 and up.</p> <p>J - Used on PA-28-180 airplanes only.</p> <p>K - Used with Cleveland Models 40-76B or 40-76F and McCauley Model D-30625 Wheel Assemblies only.</p> <p>L - Used on PA-28-140 with serial numbers 28-7425001 and up, and PA-28-235 with serial numbers 28-7410001 and up.</p>			

PA-28-140
PA-28-150
PA-28-160
PA-28-180
PA-28-235

When ordering, always specify Part Number, Description, and Serial Number of Aircraft

PIPER PARTS CATALOG

Figure and Index Number	Part Number	Code	NOMENCLATURE	No. Req.	SERIAL NUMBERS AFFECTED
33 -24	63600-024	E	MOUNT ASSEMBLY - Engine and nose gear strut	1	28-1 to 28-220 inclusive
	63600-028		MOUNT ASSEMBLY - Engine and nose gear strut	1	28-221 to 28-507 inclusive
	63694-000	A	MOUNT ASSEMBLY - Engine and nose gear strut	1	
	65000-023	D	MOUNT ASSEMBLY - Engine and nose gear strut	1	28-10001 and up
	62297-000	B	MOUNT ASSEMBLY - Engine and nose gear strut	1	28-1761 to 28-5149 inclusive
	66662-014	C	MOUNT ASSEMBLY - Engine and nose gear strut	1	
-25	87358-004	G,K	DAMPER ASSEMBLY - Shimmy, complete	1	
	456-012	G	* DAMPER ASSEMBLY - Shimmy	1	
	452-334		* BEARING - Rod end	1	
	404-225		* NUT - (AN315-4R)	1	
	408-051		* WASHER - (MS35333-40)	1	
-25a	456-015	H	DAMPER ASSEMBLY - Shimmy	1	
	456-017	J	DAMPER ASSEMBLY - Shimmy	1	
-26	452-334		BEARING - Rod end	1	
-27	404-225		NUT - (AN315-4R)	1	
	408-051		WASHER - (MS35333-40)	1	
-27a	66750-000	F	CLAMP ASSEMBLY - Shimmy damper	1	
			<p>A - Used on PA-28-150, PA-28-160 and PA-28-180 with serial numbers 28-508 to 28-1760 inclusive, and PA-28-140 with serial numbers 28-20002 to 28-24999 inclusive.</p> <p>B - Used on PA-28-150, PA-28-160 and PA-28-180 airplanes only.</p> <p>C - Used on PA-28-140 with serial numbers 28-25000 and up and PA-28-180 with serial numbers 28-5150 and up.</p> <p>D - Used on PA-28-235 airplanes only.</p> <p>E - If Kit 754-428 has been installed, order part for serial numbers 28-221 to 28-507 inclusive.</p> <p>F - Used if shock absorber is stamped with Monroe P/N 18756.</p> <p>G - Used on PA-28-150 and PA-28-160 with serial numbers 28-1 to 28-507 inclusive.</p> <p>H - Used on PA-28-150, PA-28-160 with serial numbers 28-508 to 28-7305611 inclusive, PA-28-140 with serial numbers 28-20002 to 28-7325684, and PA-28-180 with serial numbers 28-7305001 to 28-7305601.</p> <p>J - Used on PA-28-235 airplanes only.</p> <p>K - No longer available. Order component parts.</p>		

When ordering, always specify Part Number, Description, and Serial Number of Aircraft

PA-28-140
PA-28-150
PA-28-160
PA-28-180
PA-28-235

PIPER PARTS CATALOG

Figure and Index Number	Part Number	Code	NOMENCLATURE	No. Req.	SERIAL NUMBERS AFFECTED
33 -28	63329-004	A,B	STRUT ASSEMBLY - Nose wheel	1	
	79110-004	A,C	STRUT ASSEMBLY - Nose wheel	1	28-7425001 and up
	63329-008	A,G	STRUT ASSEMBLY - Nose wheel	1	28-7305001 to 28-7305611 incl.
	79110-005	A,G	STRUT ASSEMBLY - Nose wheel	1	28-7405001 and up
	65010-003	A,F	STRUT ASSEMBLY - Nose wheel	1	28-10003 to 28-7210033 incl.
	65010-006	A,F	STRUT ASSEMBLY - Nose wheel	1	28-7310001 to 28-7310187 incl.
	65010-008	A,F	STRUT ASSEMBLY - Nose wheel	1	28-7410001 and up
-29	401-405		BOLT - (AN6-25A) Mount attachment, side	4	
	690-629		WASHER - (NAS1149F0663P) Mount attachment, side	AR	
	404-532		NUT - (MS21042-6) Mount attachment, side	4	
-30	401-415	E	BOLT - (AN6-35A) Mount attachment, top center	1	
	401-410	J	BOLT - (AN6-31A) Mount attachment, top center	1	
	690-629		WASHER - (NAS1149F0663P) Mount attachment, top center	AR	
	404-532		NUT - (MS21042-6) Mount attachment, top center	1	
-31	63327-000	D	ROD ASSEMBLY - Nose wheel control	2	
	63327-004	F	ROD ASSEMBLY - Nose wheel control	2	28-10003 to 28-11046 inclusive
	63327-010	F	ROD ASSEMBLY - Nose wheel control	2	28-11047 to 28-7310187 incl.
-32	452-334		* BEARING - Rod end	2	
-33	404-225		* NUT - (AN315-4R)	2	
-34	63327-002	D	* TUBE - Rod assembly	1	
	63327-003	F	* TUBE - Rod assembly	1	28-10003 to 28-11046 inclusive
	63327-011	F	* TUBE - Rod assembly	1	28-11047 to 28-7310187 incl.

- A - See Figure 33A for component parts.
- B - Used on PA-28-150, PA-28-160 and PA-28-180 with serial numbers 28-1 to 28-7205328 inclusive, and PA-28-140 with serial numbers 28-20002 to 28-7325684 inclusive.
- C - Used on PA-28-140 airplanes only.
- D - Used on PA-28-150, PA-28-160 and PA-28-180 with serial numbers 28-1 to 28-7305611 inclusive, and PA-28-140 with serial numbers 28-20002 to 28-7325684 inclusive.
- E - Used on PA-28-150, PA-28-160, PA-28-180 and PA-28-140 airplanes only.
- F - Used on PA-28-235 airplanes only.
- G - Used on PA-28-180 airplanes only.

PA-28-140
PA-28-150
PA-28-160
PA-28-180
PA-28-235

When ordering, always specify Part Number, Description, and Serial Number of Aircraft

PIPER PARTS CATALOG

Figure and Index Number	Part Number	Code	NOMENCLATURE	No. Req.	SERIAL NUMBERS AFFECTED
33 -35	63300-008	L	HORN ASSEMBLY - Nose wheel steering	1	28-10003 to 28-11039 inclusive 28-11040 to 28-7310187 incl. 28-7410001 and up
	65047-000	J	HORN ASSEMBLY - Nose wheel steering	1	
	69247-000	J	HORN ASSEMBLY - Nose wheel steering	1	
	76411-005	J	HORN ASSEMBLY - Nose wheel steering	1	
-36	13291-000	H,L	PLACARD - Oleo service instruction	1	
	580-881	L	PLACARD - Oleo service instruction (decals)	1	
	65368-000	J	PLACARD - Oleo service instruction (decals)	1	
-37	13090-000	B	CAP ASSEMBLY - Axle	2	
	35158-002	K	PLUG - Axle	2	
-38	13089-000		ROD - Axle (5/16" x 9-3/8")	1	
	401-456		BOLT - Axle (AN6-76A)	1	
-39	13071-000		NUT	1	
-40	11473-040		PLATE	1	
-41	451-755	C,D	WHEEL ASSEMBLY - Nose (318501) Cleveland	1	
	551-766	C,E	WHEEL ASSEMBLY - Nose (40-76F) Cleveland	1	
-42	551-773	F,G	WHEEL ASSEMBLY - Nose (D-30625) McCauley	1	
	453-158	A	BOOT - (F-2131)	2	

A - Used on PA-28-140 with serial numbers 28-20002 to 28-7325684 inclusive, PA-28-150, PA-28-160 and PA-28-180 with serial numbers 28-1 to 28-7305611 inclusive, and PA-28-235 with serial numbers 28-10003 to 28-7310187 inclusive.

B - Used with 5/16" x 9 3/8" axle.

C - Refer to Figure 36 for component parts.

D - Used on PA-28-150 and PA-28-160 with serial numbers 28-1 and up, PA-28-140 with serial numbers 28-20002 to 28-7225334 inclusive, PA-28-180 with serial numbers 28-671 to 28-7205243 inclusive, and PA-28-235 with serial numbers 28-10003 to 28-7210019 inclusive. Part is no longer available. Order Wheel Assembly, Part Number 551-766, and two Spacer Bushings, Part Number 66618-002, when replacing Model No. 38501 Wheel. Order Part Number 551-766 Wheel only if Model No. 40-76B or 40-76F has been previously installed.

E - Used on PA-28-140 with serial numbers 28-7225335 and up, PA-28-180 with serial numbers 28-7205244 and up, and PA-28-235 with serial numbers 28-721 0020 and up.

F - See Figure 36A for component parts.

G - Used on PA-28-150, PA-28-160 and PA-28-180 with serial numbers 28-1 and up), PA-28-140 with serial numbers 28-20002 and up and PA-28-235 with serial numbers 28-10003 and up.

H - Used when placard is attached with strap.

J - Used on PA-28-235 airplanes only.

K - Used with 3/8" x 8.20 axle.

L - Used on PA-28-150, PA-28-160, PA-28-180 and PA-28-140 airplanes only.

When ordering, always specify Part Number, Description, and Serial Number of Aircraft

PA-28-140
PA-28-150
PA-28-160
PA-28-180
PA-28-235

PIPER PARTS CATALOG

Figure and Index Number	Part Number	Code	NOMENCLATURE	No. Req.	SERIAL NUMBERS AFFECTED
33 -43	63910-000	C	HOUSING - Seal ring retainer	2	
-44	63911-000	C	HOUSING - Seal ring	4	
-45	63912-000	C	PLATE - Trim	2	
-46	63925-000	C	RING - Spacer	2	
-47	63656-000	C	PACKING - Seal	2	
-48	35262-002	D	BUNGEE ASSEMBLY - Nose wheel	2	
-49	452-335		* BEARING - (1/4" female threads)	1	
	452-605		* BEARING - (NAS659-3-5) (5/16" male threads)	1	
-50	452-341		* BEARING	1	
-50a	35538-000	J	SCREW - Bungee adjusting	2	
-51	35669-004	A	PLACARD - Turn limit	1	
	35669-010	B	PLACARD - Turn limit	1	
-52	35669-005		PLACARD - Turn limit pointer	1	
-53	400-450	E	BOLT - (AN3-17A)	1	
	401-269	F	BOLT - (AN3-10A)	1	28-10003 to 28-7310187 incl.
	400-452	F	BOLT - (AN3-11A)	1	28-7410001 and up
	690-612		WASHER - (NAS1149F0363P)	AR	
	690-609	F	WASHER - (NAS1149F0332P)	1	
	62833-101	F	WASHER - (.562 O.D.)	1	28-7410001 and up
	404-526		NUT - (MS21042-3)	1	
-54	400-058		BOLT - (AN3-13)	1	
	690-609		WASHER - (NAS1149F0332P)	2	
	63900-041		BUSHING	1	
	404-100		NUT - (AN310-3)	1	
	424-051		COTTER PIN - (MS24665-132)	1	
-55	400-453	G	BOLT - (AN3-21A)	2	
	400-448	H	BOLT - (AN3-22A)	2	
	400-450	F	BOLT - (AN3-17A)	2	
	690-609		WASHER - (NAS1149F0332P)	2	
	690-612	F	WASHER - (NAS1149F0363P)	4	
	62833-101	F	WASHER - (.562 O.D.)	2	
	404-526		NUT - (MS21042-3)	2	
			A - Used on PA-28-150, PA-28-160 and PA-28-180 with serial numbers 28-1 to 28-3377 inclusive, PA-28-140 with serial numbers 28-20002 to 28-21845 inclusive, 28-21847, 28-21929, 28-21931, 28-21939 and 28-7425001 and up, and PA-28-235 with serial numbers 28-7410001 and up.		
			B - Used on PA-28-150, PA-28-160 and PA-28-180 with serial numbers 28-3378 to 28-7305611 inclusive, PA-28-140 with serial numbers 28-21846, 28-21930, 28-21935, 28-7325684 and up, and PA-28-235 with serial numbers 28-10001 to 28-7310187 inclusive.		
			C - Used on PA-28-140 with serial numbers 28-20002 to 28-7325684 inclusive, PA-28-150, PA-28-160 and PA-28-180 with serial numbers 28-1 to 28-7305611 inclusive, and PA-28-235 with serial numbers 28-10003 to 28-7310187 inclusive.		
			D - Used on PA-28-140 with serial numbers 28-7425001 and up, PA-28-180 with serial numbers 28-7405001 and up, and PA-28-235 with serial numbers 28-7410001 and up.		
			E - Used on PA-28-140, PA-28-150, PA-28-160 and PA-28-180 only.		
			F - Used on PA-28-235 only.		
			G - Used on PA-28-140 with serial numbers 28-20002 to 28-7325684 incl., and PA-28-150, PA- 28-160 and PA-28-180 with serial numbers 28-1 to 28-7305611 incl.		
			H - Used on PA-28-140 with serial numbers 28-7425001 and up, and PA-28-180 with serial numbers 28-7405001 and up).		
			J - Used with 1/4" female threaded rod end bearing.		

PA-28-140
PA-28-150
PA-28-160
PA-28-180
PA-28-235

When ordering, always specify Part Number, Description, and Serial Number of Aircraft

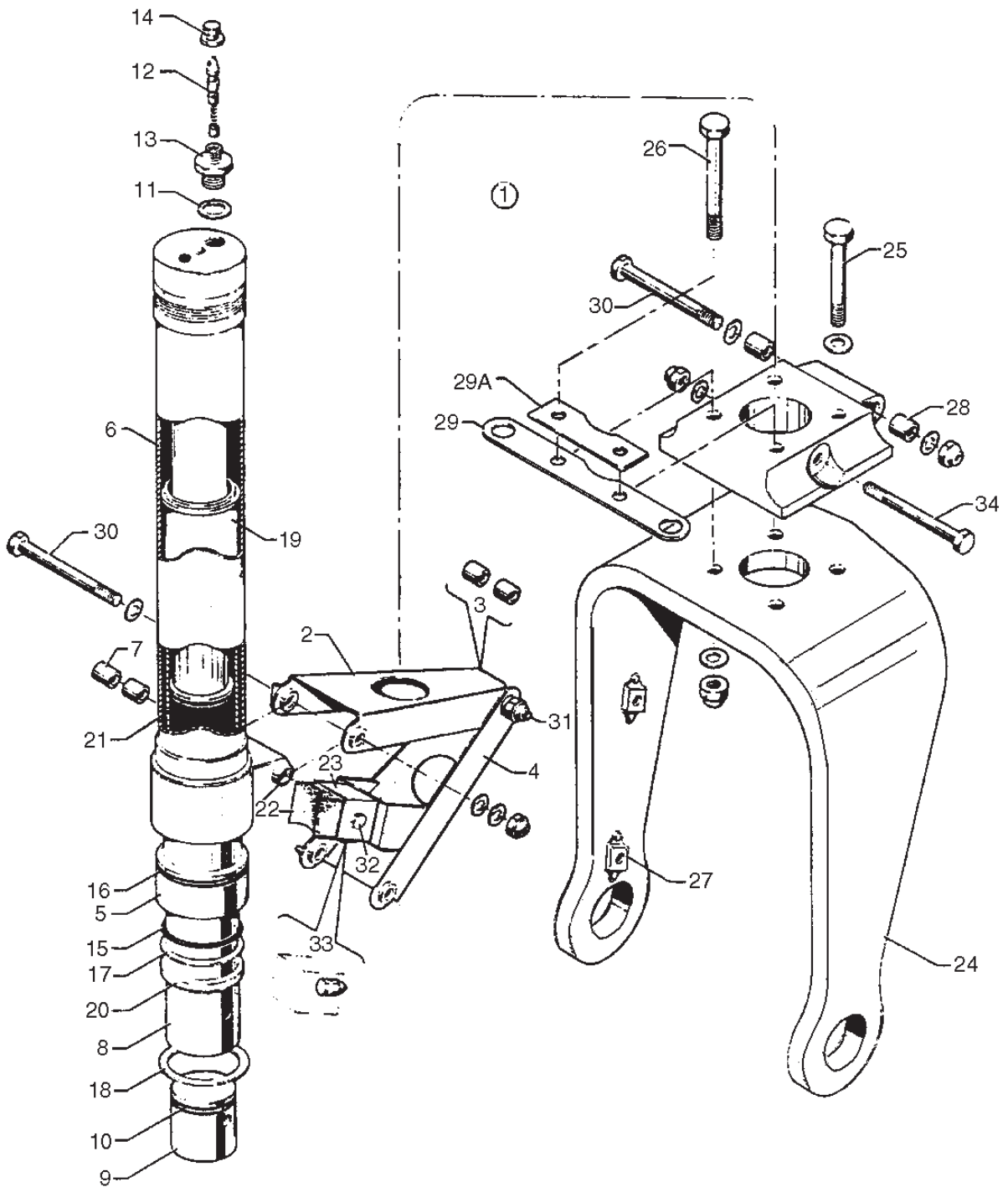


Figure 33A. Nose Gear Strut Assembly

PA-28-140
 PA-28-150
 PA-28-160
 PA-28-180
 PA-28-235

THIS PAGE INTENTIONALLY LEFT BLANK

PIPER PARTS CATALOG

Figure and Index Number	Part Number	Code	NOMENCLATURE	No. Req.	SERIAL NUMBERS AFFECTED
33A-1	63329-004	A	STRUT ASSEMBLY - Nose wheel (63330-00)	1	
	79110-004	B	STRUT ASSEMBLY - Nose wheel	1	28-7425001 and up
	63329-008	C	STRUT ASSEMBLY - Nose wheel	1	28-7305001 to 28-7305611 incl.
	79110-005	C	STRUT ASSEMBLY - Nose wheel	1	28-7405001 and up
	65010-003	D	STRUT ASSEMBLY - Nose wheel	1	28-10003 to 28-72110033 incl.
	65010-006	D	STRUT ASSEMBLY - Nose wheel	1	28-7310001 to 28-7310187 incl.
	65010-008	D	STRUT ASSEMBLY - Nose wheel	1	28-7410001 and up
-2	13074-002		* LINK ASSEMBLY - Nose wheel, upper	1	
-3	452-766		** BUSHING - Insert (P32-4)	2	
-4	13074-003	E	* LINK ASSEMBLY - Nose wheel, lower	1	
	63383-000	J	* LINK ASSEMBLY - Nose wheel, lower	1	28-1681 to 28-2904 inclusive
	63383-000	B	* LINK ASSEMBLY - Nose wheel, lower	1	28-3032 and up
	65413-000	F	* LINK ASSEMBLY - Nose wheel, lower	1	28-20081 to 28-21265 inclusive
	65413-000	B	* LINK ASSEMBLY - Nose wheel, lower	1	28-21393 and up
	65413-000	D	* LINK ASSEMBLY - Nose wheel, lower	1	28-2905 to 28-3031 inclusive
-5	66843-002		* BEARING - Sleeve	1	28-21266 to 28-21392 inclusive
-6	65888-002	K	* TUBE ASSEMBLY - Outer, upper	1	28-10353 and up
	65007-003	K	* TUBE ASSEMBLY - Outer, upper	1	28-10003 to 28-7210033 incl.
	65007-003	K	* TUBE ASSEMBLY - Outer, upper	1	28-7310001 and up
	65007-004	K	* TUBE ASSEMBLY - Outer, upper	1	28-7305001 and up
	65828-006		* TUBE ASSEMBLY	1	
-7	452-766		** BEARING (P32-4)	2	
	67026-007		** BUSHING - Shoulder	1	
-8	65280-000	H	* TUBE - Inner, lower	1	
-9	15206-002		* PLUG - Nose wheel oleo piston tube	1	
-10	484-733		* O-RING - Piston tube (15207-00)	1	
-11	462-024		* GASKET - Air valve (AN901-5A)	1	
-12	455-124		* CORE - Air valve (AN809-1)	1	
-13	453-124		* VALVE - Air valve (AN812-1)	1	
-14	454-053		* CAP - Air valve (AN813-1B)	1	
			<p>A - Used on PA-28-150, PA-28-160 and PA-28-180 with serial numbers 28-1 to 28-7205328 inclusive, and PA-28-140 with serial numbers 28-20002 to 28-7325684 inclusive.</p> <p>B - Used on PA-28-140 airplanes only.</p> <p>C - Used on PA-28-180 airplanes only.</p> <p>D - Used on PA-28-235 airplanes only.</p> <p>E - Used on PA-28-150, PA-28-160 and PA-28-180 with serial numbers 28-1 to 28-1680 inclusive, and PA-28-235 with serial numbers 28-10003 to 28-10352 inclusive.</p> <p>F - Used on PA-28-150, PA-28-160 and PA-28-180 airplanes only.</p> <p>G - Used on PA-28-150, PA-28-160 and PA-28-180 with serial numbers 28-1 to 28-7205328 inclusive, and PA-28-140 with serial numbers 28-20002 and up.</p> <p>H - If existing tube incorporates a welded plug, it will be necessary to order one each of Plug 15206-00 and O-Ring 484-733 in addition to Tube 65280-000.</p> <p>J - Used on PA-28-150, PA-28-160 and PA-28-180 with serial numbers 28-1681 to 28-2904 inclusive, and 28-3032 and up.</p> <p>K - Before ordering tube assembly, ascertain if the top of the sleeve bearing (Item 5) incorporates a .20 inch long by .028 inch deep chamfer in the outer diameter. If the chamfer does not exist, also order a new sleeve bearing Part Number 66843-002.</p>		

When ordering, always specify Part Number, Description, and Serial Number of Aircraft

PA-28-140
PA-28-150
PA-28-160
PA-28-180
PA-28-235

PIPER PARTS CATALOG

Figure and Index Number	Part Number	Code	NOMENCLATURE	No. Req.	SERIAL NUMBERS AFFECTED
33A-15	484-698	A	PACKING - O-Ring (AN6227-27)	1	
	484-770	B	PACKING - Quad ring (4222)	1	
-16	462-050		PACKING - O-Ring (AN6230-2)	1	
-17	494-025		WAS HER - Back-up (AN6246-27)	1	
-18	484-705		RING - Retaining (5000-200)	1	
-19	484-720		SNAP RING - (3478)	1	
-20	187-625		STRIP - Wiper (10V70) 51/4" L	1	
-21	484-683	C	RING - Piston (R1 9046)	1	
-22	79072-000		BLOCK - Nose wheel bumper	1	
-23	79071-000		BRACKET ASSEMBLY - Nose wheel bumper block	1	
-24	63329-006	D	FORK ASSEMBLY - Nose wheel (with block assembly)	1	
	65010-004	E	FORK ASSEMBLY - Nose wheel (with block assembly)	1	
	79110-003	F	FORK ASSEMBLY - Nose wheel (with block assembly)	1	
	76410-000	G	FORK ASSEMBLY - Nose wheel (with block assembly)	1	28-7410001 to 28-7510014 incl
	69770-003	G	FORK ASSEMBLY - Nose wheel (with block assembly)	1	28-7510015 to 28-7510077 incl.
	76410-000	G	FORK ASSEMBLY - Nose wheel (with block assembly)	1	28-7510078 and up
			A - Used on PA-28-140 with serial numbers 28-20002 to 28-21639 inclusive, PA-28-150, PA-28-160 and PA-28-180 with serial numbers 28-1 to 28-3281 inclusive, and PA-28-235 with serial numbers 28-10003 to 28-10719 inclusive.		
			B - Used on PA-28-140 with serial numbers 28-21640 and up, PA-28-150, PA-28-160 and PA-28-180 with serial numbers 28-3282 and up, and PA-28-235 with serial numbers 28-10720 and up.		
			C - Used on PA-28-180 with serial numbers 28-7305001 and up, and PA-28-235 with serial numbers 28-7310001 and up.		
			D - Used on PA-28-140 with serial numbers 28-20002 to 28-21265 inclusive, 28-21393 to 28-7325684 inclusive, PA-28-150, PA-28-160 and PA-28-180 with serial numbers 28-1 to 28-2904 inclusive, 28-3032 to 28-7305611 inclusive.		
			E - Used on PA-28-140 with serial numbers 28-21266 to 28-21392 inclusive, PA-28-150, PA-28-160 and PA-28-180 with serial numbers 28-2905 to 28-3031 inclusive, and PA-28-235 with serial numbers 28-10003 to 28-7310187 inclusive.		
			F - Used on PA-28-140 with serial numbers 28-7425001 and up, and PA-28-180 with serial numbers 28-7405001 and up.		
			G - Used on PA-28-235 airplanes only.		

PA-28-140
PA-28-150
PA-28-160
PA-28-180
PA-28-235

When ordering, always specify Part Number, Description, and Serial Number of Aircraft

PIPER PARTS CATALOG

Figure and Index Number	Part Number	Code	NOMENCLATURE	No. Req.	SERIAL NUMBERS AFFECTED	
33A-25	401-195	A	* BOLT - (AN5-17A)	2		
	401-400	B	* BOLT - (AN6-20A)	2		
	690-619	A	* WASHER - (NAS1149F0532P)	4		
	690-620	B	* WASHER - (NAS1149F0632P)	4		
	405-421	A	* NUT - (MS20145-5)	2		
	404-532	B	* NUT - (MS21042-6)	2		
-26	401-359	F	* BOLT - (AN5-20A)	2		
	401-361	C	* BOLT - (AN5-22A)	2		
	401-403	B	* BOLT - (AN6-23A)	2		
	690-619	A	* WASHER - (NAS1149F0532P)	2		
	690-620	B	* WASHER - (NAS1149F0632P)	2		
	404-421	A	* NUT - (MS20145-5)	2		
	404-532	B	* NUT - (MS21042-6)	2		
	-27	506-550		* NUT - Anchor (MS21059L4)	4	
	-28	80022-047		* BUSHING - Insert	2	
	-29	65276-000	D	* LINK - Tow bar	1	
65276-002		E	* LINK - Tow bar	1		
-29a	65432-000	C	* SPACER - Tow bar link	1		
-30	691-314		BOLT - (NAS6605-44)	2		
	690-628		WASHER - (NAS1149F0563P)	2		
	405-421		NUT - (MS20145-5)	2		
-31	401-359		BOLT - (AN5-20A)	1		
	690-628		WASHER - (NAS1149F0563P)	1		
	405-421		NUT - (MS20145-5)	1		
-32	401-273		BOLT - (AN3-14A)	1		
	690-612		WASHER - (NAS1149F0363P)	2		
	404-526		NUT - (MS21042-3)	1		
-33	400-438		BOLT - (AN3-4A)	1		
	690-612		WASHER - (NAS1149F0363P)	1		
	404-526		NUT - (MS21042-3)	1		

A - Used on PA-28-140 with serial numbers 28-20002 to 28-21265 inclusive, 28-21393 and up, PA-28-150, PA-28-160 and PA-28-180 with serial numbers 28-1 to 28-2904 inclusive, 28-3032 and up.

B - Used on PA-28-140 with serial numbers 28-21266 to 28-21392 inclusive, PA-28-150, PA-28-160 and PA-28-180 with serial numbers 28-2905 to 28-3031 inclusive, and PA-28-235 airplanes.

C - Used on PA-28-140 with serial numbers 28-7425001 and up, and PA-28-180 with serial numbers 28-7405001 and up.

D - Used on PA-28-235 airplanes only.

E - Used on PA-28-140, PA-28-150, PA-28-160 and PA-28-180 airplanes only.

F - Used on PA-28-140 with serial numbers 28-20002 to 28-21265 inclusive, 28-21393 to 28-7325684 inclusive, PA-28-150, PA-28-160 and PA-28-180 with serial numbers 28-1 to 28-2904 inclusive, 28-3032 to 28-7305611 inclusive.

When ordering, always specify Part Number, Description, and Serial Number of Aircraft

PA-28-140
PA-28-150
PA-28-160
PA-28-180
PA-28-235

PIPER PARTS CATALOG

Figure and Index Number	Part Number	Code	NOMENCLATURE	No. Req.	SERIAL NUMBERS AFFECTED
33A-34	401-330	A	BOLT- (AN4-32A)	1	
	401-371	B	BOLT - (AN5-32A)	1	28-7510015 to 28-7510077 incl.
	690-611	A	WASHER - (NAS1149F0463P)	1	
	690-628	B	WASHER - (NAS1149F0563P)	1	28-7510015 to 28-7510077 incl.
	404-530	A	NUT - (MS21042-4)	1	
	405-421	B	NUT - (MS21045-5)	1	28-7510015 to 28-7510077 incl.
			<p>A - Used on PA-28-140 with serial numbers 28-20002 and up, PA-28-150, PA-28-160 and PA-28-180 with serial numbers 28-1 and up, and PA-28-235 with serial numbers 28-10003 to 28-7510014 inclusive, 28-7510078 and up.</p> <p>B - Used on PA-28-235 airplanes only.</p>		

PA-28-140
PA-28-150
PA-28-160
PA-28-180
PA-28-235

When ordering, always specify Part Number, Description, and Serial Number of Aircraft

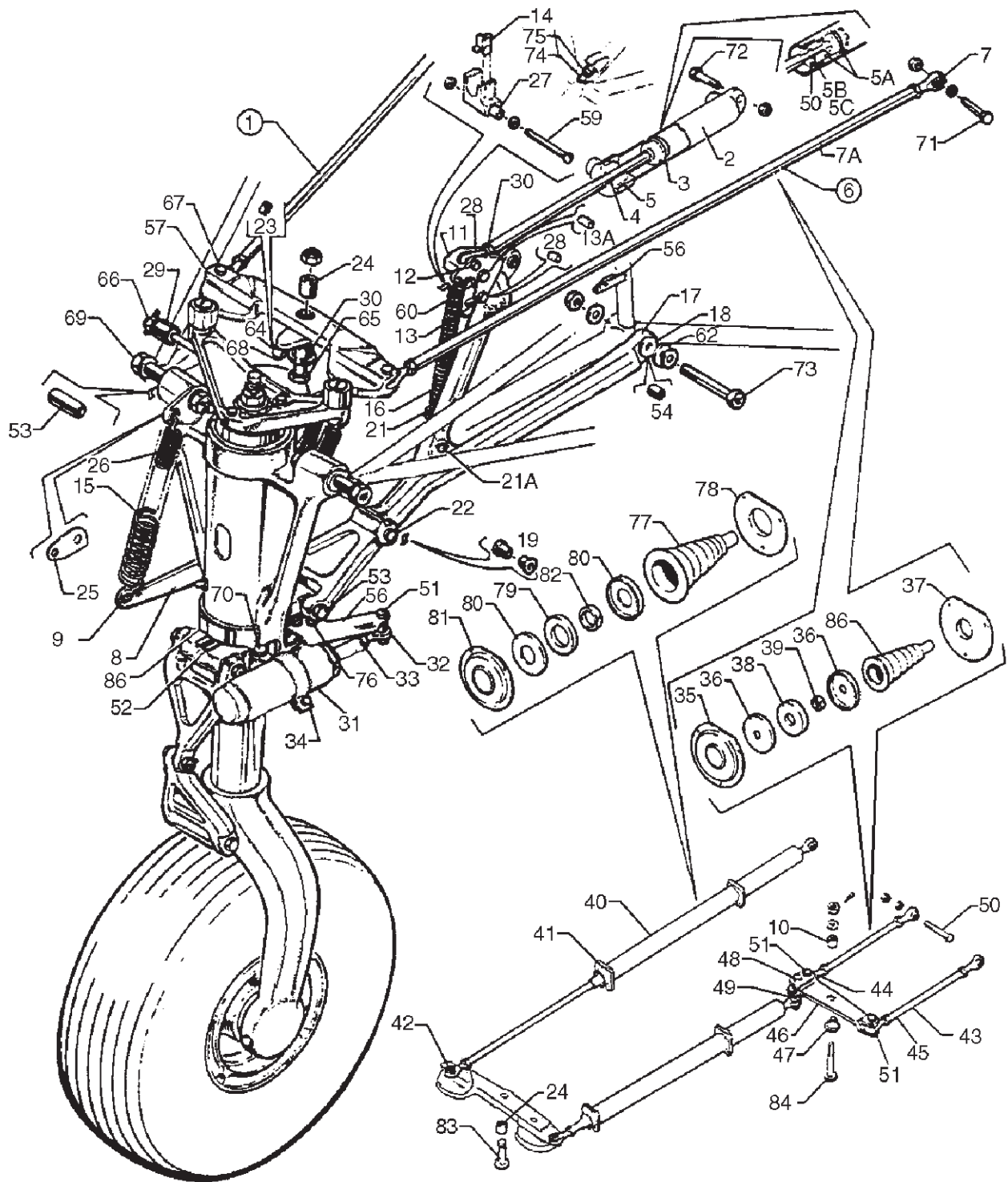


Figure 34. Nose Gear Installation

THIS PAGE INTENTIONALLY LEFT BLANK

PIPER PARTS CATALOG

Figure and Index Number	Part Number	Code	NOMENCLATURE	No. Req.	SERIAL NUMBERS AFFECTED
34-	67147 76426	B C	DRAWING - Nose Landing Gear Installation DRAWING - Nose Landing Gear Installation		28R-7435001 and up
-1	67100-010	A	GEAR ASSEMBLY - Nose (less tire, tube and wheel assembly)	1	
-2	35797-003		CYLINDER - Hydraulic, nose gear (455-997) (Parker-Hannifin P/N 011-016)	1	
-3	752-595	F	* O-RING - (MS28775-120)	1	
-4	752-585	F	* O-RING - (MS28775-110)	1	
-5	752-596	F	* O-RING - (MS28775-122)	1	
-5a	755-996	D	* O-RING - (AN6227-18)	2	
-5b	484-748	D	* O-RING - (AN6227-8)	1	
-5c	756-053	D	* RING - Back-up (MS28782-8)	1	
-5d	755-998	D	* RETAINER - Nose gear cylinder (MS16625-1118)	1	
-6	63327-008	B	ROD ASSEMBLY - Nose wheel control	2	
-7	452-334		* BEARING	2	
-7a	63327-009		* TUBE - Rod assembly	1	
-8	67109-000		ARM ASSEMBLY - Nose gear spring	1	
-9	82732-099		* BUSHING - Nose gear arm assembly	1	
-10	65003-015	E	BUSHING	1	28R-7435001 and up

- A - See Figure 35 for component parts.
- B - Used on PA-28R-180 with serial numbers 28R-30005 to 28R-7130019 inclusive, and PA-28R-200 with serial numbers 28R-30482, 28R-35001 to 28R-7335455 inclusive.
- C - Used on PA-28R-200 airplanes only.
- D - Used with Syncro Devices, Inc. Hydraulic Cylinder Part Number SFA231-2 and SFA231-3 only.
- E - Used on PA-28R-200 airplanes only.
- F - Used if Hydraulic Cylinder bears a nameplate with Part Number 94951.

When ordering, always specify Part Number, Description, and Serial Number of Aircraft

PIPER PARTS CATALOG

Figure and Index Number	Part Number	Code	NOMENCLATURE	No. Req.	SERIAL NUMBERS AFFECTED
34 -11	67150-003	B	DOWNLOCK ASSEMBLY - Nose gear	1	
-12	400-873		* BOLT - (AN23-21A)	1	
	65003-030		* SLEEVE	1	
	690-612		* WASHER - (NAS1149F0363P)	1	
	404-526		* NUT - (MS21042-3)	1	
-13	400-871		* BOLT - (AN23-19A)	1	
	404-156		* NUT - (MS21083N3)	1	
-13a	65003-037		* SLEEVE	1	
-14	67752-002		* CLIP - Switch actuator	1	
-15	67169-000		SPRING - Nose gear arm assembly, outer	1	
-16	67189 000		SPRING - Nose gear downlock	1	
-17	76426-003		LINK AND BRACE ASSEMBLY - Gear downlock	1	
-18	87319-003	A	* BEARING - (F632-1)	2	
-19	87319-002		* BEARING - (FF310-5)	2	
-20	63900-120		* BUSHING - Upper drag brace assembly	1	
-21	61402-093		* BUSHING - Upper drag brace assembly	1	
-21a	67598-000		* BUSHING - Special	1	
-22	402-940	C	* BOLT - (NAS464P4-27)	2	
	690-611		* WASHER - (NAS1149F0463P)	5	
	404-393		* NUT - (AN320-4)	1	
	424-052		* COTTER PIN - (MS24665-134)	1	
-23	14976-016		BUSHING - Steering cam assembly, inner	1	
-24	65003-015		BUSHING - Steering cam assembly	1	
-25	38261-002	D	PLATE - Nose gear trunnion, downlock	1	
-26	67168-000		SPRING - Nose gear arm assembly, inner	1	
-27	67510-000		BEARING	1	
-28	452-729		BEARING	1	
-29	452-386		BEARING - (NAS506-4)	1	
-30	67192-000		NUT - Cylinder rod end (Special)	1	
-31	456-016		DAMPENER ASSEMBLY - Nose wheel shimmy	1	
-32	452-860		* BEARING - Rod end	1	
	404-322		* NUT - Shimmy dampener (AN316-4R)	1	
-33	408-051		* WASHER - (MS35333-40)	1	
-34	67244-000	E	CLAMP ASSEMBLY - Shimmy dampener	1	
-35	63910-002		HOUSING - Seal ring retainer	2	
-36	63911-000		HOUSING - Seal ring	4	
-37	63912-000		PLATE - Trim	2	
-38	63925-000		RING - Spacer	2	
-39	63656-000		PACKING - Seal	2	
			A - Used on PA-28R-180 with serial numbers 28R-30879 and up, and PA-28R-200 with serial numbers 28R-30482, 28R-35001 and up.		
			B - Reference latest revision of Piper Service Bulletin 866 on Back Up Landing Gear Extender Removal for PA-28R-180 with serial numbers 28R-30004 to 28R-7130013 inclusive and PA-28R-200 with serial numbers 28R-35001 to 28R-7635545 inclusive. Also reference latest revision of Piper Service Bulletin 292, Landing Gear Modifications.		
			C - Reference latest revision to Piper Service Bulletin 1156.		
			D - Used if Nose Gear Trunnion Modification Kit 761-074 has been installed per Piper Service Bulletin 510.		
			E - Used if shock absorber is stamped with Monroe Part Number 18737.		

When ordering, always specify Part Number, Description, and Serial Number of Aircraft

PIPER PARTS CATALOG

Figure and Index Number	Part Number	Code	NOMENCLATURE	No. Req.	SERIAL NUMBERS AFFECTED
34 -40	76425-000	A	BUNGEE ASSEMBLY - Nose wheel, left	1	28R-7435001 and up
	76425-002	A	BUNGEE ASSEMBLY - Nose wheel, right	1	28R-7435001 and up
-41	62832-002	A	* CLIP - Bungee	1	28R-7435001 and up
-42	452-334		BEARING	2	
-43	63327-023	A	ROD ASSEMBLY - Nose wheel control	2	28R-7435001 and up
-44	452-334		* BEARING	2	
-45	63327-022	A	* TUBE - Rod assembly,	1	28R-7435001 and up
-46	76407-003	A	BELLCRANK ASSEMBLY - Nose wheel steering	1	28R-7435001 and up
-47	452-445	A	* BEARING - (FF600-5)	1	28R-7435001 and up
-48	401-274	A	* BOLT - (AN3-15A)	1	28R-7435001 and up
	407-584	A	* WASHER - (AN960-10L)	AR	28R-7435001 and up
	404-526	A	* NUT - (MS21042-3)	1	28R-7435001 and up
-49	63900-041		* BUSHING - Bellcrank	1	28R-7435001 and up
-50	401-274	A	BOLT - (AN3-15A)	3	28R-7435001 and up
	690-609	A	WASHER - (NAS1149F0332P)	3	28R-7435001 and up
	404-526	A	NUT - (MS21042-3)	3	28R-7435001 and up
-51	401-269	A	BOLT - (AN3-10A)	2	28R-7435001 and up
	690-609	A	WASHER - (NAS1149F0332P)	2	28R-7435001 and up
	404-526	A	NUT - (MS21042-3)	2	28R-7435001 and up
-52	35669-005		PLACARD - Turn limit pointer	1	
-53	65003-046	C	BUSHING	2	
-54	65003-045		BUSHING	2	
-55	67751-000	B	BRACKET - Switch mounting	1	
-56	67114-000		BRACKET ASSEMBLY - Shimmy dampener	1	
-57	67155-000	D	CAM ASSEMBLY - Steering	1	
	76409-000	E	CAM ASSEMBLY - Steering	1	28R-7435001 and up
-58	452-445		BEARING - (FF600-5)	1	
-59	400-886		BOLT - (AN23-34A)	1	28R-30005 to 28R-30342 incl.
	400-885		BOLT - (AN23-36A)	1	28R-30343 and up
	690-612		WASHER - (NAS1149F0363P)	1	
	404-526		NUT - (MS21042-3)	1	
-60	691-308		BOLT - (NAS6604D17)	1	
	690-611		WASHER - (NAS1149F0463P)	AR	
	404-101		NUT - (AN310-4)	1	
	424-052		COTTER PIN - (AN380-2-3)	1	

A - Used on PA-28R-200 airplanes only.
 B - Used on PA-28R-180 with serial numbers 28R-30005 to 28R-31124 inclusive, and PA-28R-200 with serial numbers 28R-35001 to 28R-35356 inclusive.
 C - Used on PA-28R-180 with serial numbers 28R-30005 to 28R-7130019 inclusive, and PA-28R-200 with serial numbers 28R-30482, 28R-35001 to 28R-7635489 inclusive.
 D - Used on PA-28R-180 with serial numbers 28R-30005 to 28R-7130019 inclusive, and PA-28R-200 with serial numbers 28R-30482, 28R-35001 to 28R-7335455 inclusive.
 E - Used on PA-28R-200 airplanes only.

When ordering, always specify Part Number, Description, and Serial Number of Aircraft

PIPER PARTS CATALOG

Figure and Index Number	Part Number	Code	NOMENCLATURE	No. Req.	SERIAL NUMBERS AFFECTED
34 -61	400-108		BOLT - (AN4-13)	1	
	690-613		WASHER - (NAS1149F0432P)	1	
	404-101		NUT - (AN310-4)	1	
	424-051		COTTER PIN - (AN380-2-2)	1	
-62	62833-087		WASHER - (Teflon)	2	
-63	400-191		BOLT - (AN5-51)	1	
	690-619		WASHER - (NAS1149F0532P)	2	
	690-619		WASHER - (NAS1149F0532P)	1	
	404-102		NUT - (AN310-5)	1	
	424-052		COTTER PIN - (AN380-2-3)	1	
-64	14976-105		BUSHING - Steering cam assembly, outer	1	
-65	400-761	A	BOLT - (AN26-251)	1	
	404-395	A	NUT - (AN320-6)	1	
	424-060	A	COTTER PIN - (AN380-3-4)	1	
-66	400-723		BOLT - (AN24-42)	1	
	80122-020		WASHER - (.75 O.D.)	2	
	404-101		NUT - (AN310-4)	1	
	424-052		COTTER PIN - (AN380-2-3)	1	
-67	401-269		BOLT - (AN3-10A)	2	
	404-526		NUT - (MS21042-3)	2	
-68	411-551		SCREW - (MS35207-282)	1	
-69	691-339	C	BOLT - (NAS6608D40)	2	
	400-272	B	BOLT - (AN7-32)	2	
	690-627	C	WASHER - (NAS1149F0832P)	2	
	407-568	B	WASHER - (AN960-716)	2	
	404-105	C	NUT - (AN310-8)	2	
	404-124	B	NUT - (AN310-C7)	2	
	424-060	C	COTTER PIN - (MS24665-285)	2	
	424-061	B	COTTER PIN - (MS24665-287)	2	
-70	400-112		BOLT - (AN4-17)	1	
	690-613		WASHER - (NAS1149F0432P)	3	
	404-393		NUT - (AN320-4)	1	
	424-051		COTTER PIN - (AN380-2-2)	1	

A - Used on PA-28R-180 with serial numbers 28R-30005 to 28R-7130019 inclusive, and PA-28R-200 with serial numbers 28R-30482, 28R-35001 to 28R-7335455 inclusive.

B - Used on PA-28R-180 with serial numbers 28R-30879 and up, and PA-28R-200 with serial numbers 28R-30482, 28R-35001 and up.

C - Used on PA-28R-180 with serial numbers 28R-30005 to 28R-30481 inclusive, 28R-30483 to 28R-30878 inclusive.

When ordering, always specify Part Number, Description, and Serial Number of Aircraft

PIPER PARTS CATALOG

Figure and Index Number	Part Number	Code	NOMENCLATURE	No. Req.	SERIAL NUMBERS AFFECTED	
34 -71	401-274	A	BOLT - (AN3-15A)	2	28R-30215 and up	
	690-609	A	WASHER - (NAS1149F0332P)	2		
	404-526	A	NUT - (MS21042-3)	2		
	400-443		BOLT - (AN3-12A)	1		
-72	690-612		WASHER - (NAS1149F0363P)	2		
	404-526		NUT - (MS21042-3)	1		
-73	400-218		BOLT - (AN6-25)	2		
	62833-043	C,B	WASHER	2		
	62833-087	B	WASHER - (Teflon)	2		
	690-620		WASHER - (NAS1149F0632P)	2		
	404-103	C	NUT - (AN310-6)	2		
	404-123	B	NUT - (AN310-C6)	2		
	424-060		COTTER PIN - (M524665-285)	2		
-74	554-005	F	CAP - Bolt, nose gear stop	1		
-75	453-199		BOLT - (1/4-20 x 1) Nose gear stop	1		
	37970-002		STOP ASSEMBLY - (5/16-18 x 1.95)	1		
	407-044	F	WASHER - Lock (MS35338-44)	1		
	407-045	G	WASHER - Lock (MS35338-45)	1		
	690-628	G	WASHER - (NAS1149F0563P)	1		
	405-454	F	NUT - (MS35649-2252)	1		
	404-451	G	NUT - (MS35649-2312)	1		
-76	400-440		BOLT - (AN3-6A)	2		
	407-564		WASHER - (AN960-10)	2		
	404-526		NUT - (MS21042-3)	2		
-77	35270-000	D	BOOT - Nose wheel bungee	1		28R-7435001 and up
-78	35281-000	D	PLATE - Bungee seal	1		28R-7435001 and up
-79	35282-000	D	RING - Bungee seal	1	28R-7435001 and up	
-80	35283-000	D	HOUSING - Bungee seal	2	28R-7435001 and up	
-81	35284-002	D	HOUSING - Bungee seal	1	28R-7435001 and up	
-82	63656-002	D	PACKING - Seal	1	28R-7435001 and up	
-83	400-762	D	BOLT - (AN26-24A)	1	28R-7435001 and up	
	404-532	D	NUT - (MS21042-6)	1	28R-7435001 and up	
-84	400-774	D	BOLT - (AN26-40)	1	28R-7435001 and up	
	690-620	D	WASHER - (NAS1149F0632P)	1	28R-7435001 and up	
	404-395	D	NUT - (AN320-6)	1	28R-7435001 and up	
	424-060	D	COTTER PIN - (AN380-3-4)	1	28R-7435001 and up	
-85	35669-008		PLACARD - Turn limit	1		
-86	453-158		BOOT - (F2131)	2		

A - Used on PA-28-180 with serial numbers 2BR-30005 to 28R-7130019 inclusive, and PA-28R-200 with serial numbers 28R-30482 28R-35001 to 28R-7335455 inclusive.

B - Used on PA-28R-180 with serial numbers 28R-30879 and up, and PA-28R-200 with serial numbers 28R-30482, 28R-35001 and up.

C - Used on PA-28R-180 with serial numbers 28R-30005 to 28R-30481 inclusive, 28R-30483 to 28R-30878 inclusive.

D - Used on PA-28R-200 airplanes only.

E - Used if Nose Gear Trunnion Modification Kit 761-074 has been installed per Piper Service Bulletin 510.

F - Used with 1/4-20 x 1 nose gear stop bolt only.

G - Used with 5/16-18 x 1.95 nose gear stop assembly only.

When ordering, always specify Part Number, Description, and Serial Number of Aircraft

THIS PAGE INTENTIONALLY LEFT BLANK

PIPER PARTS CATALOG

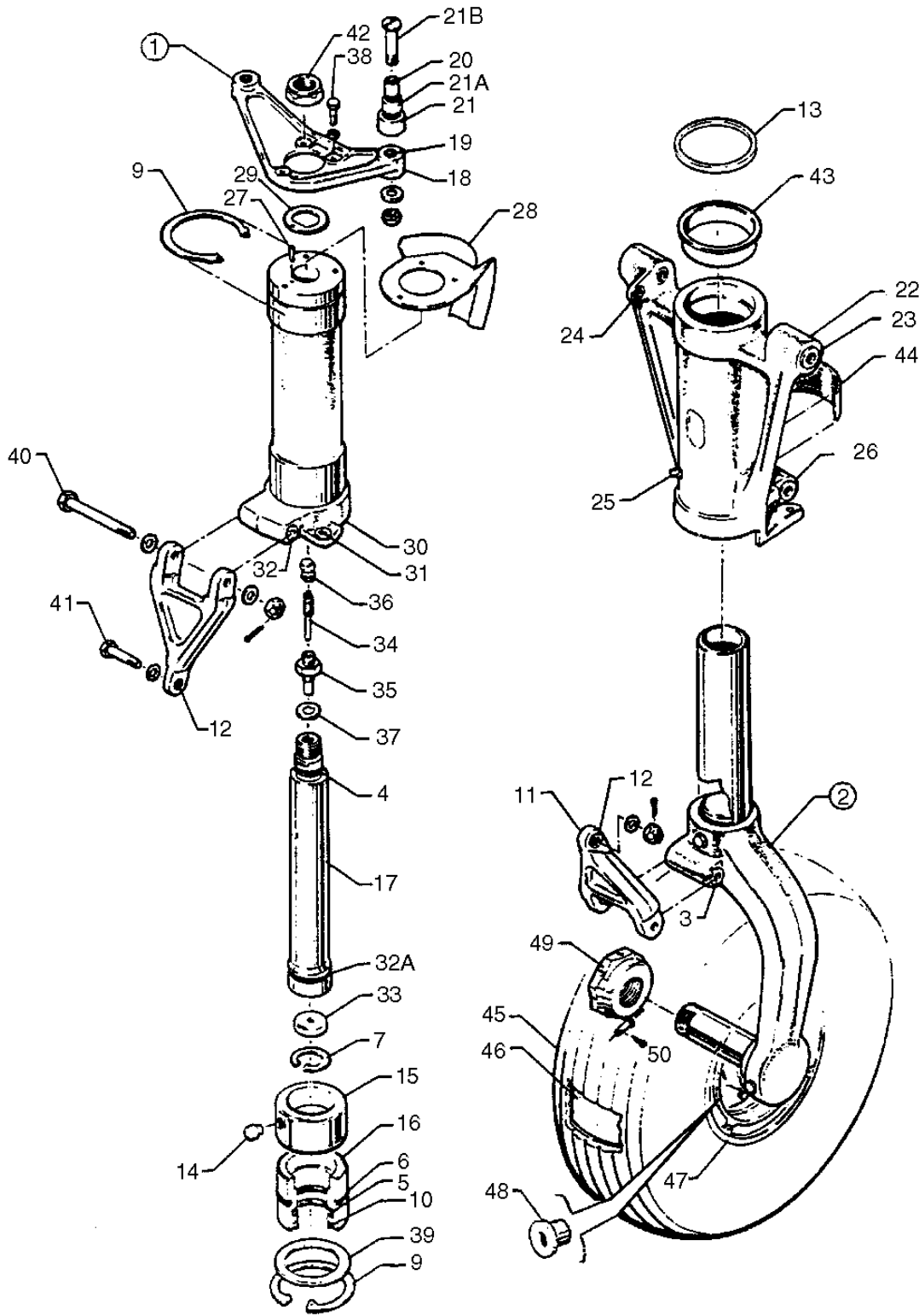


Figure 35. Nose Gear Assembly

THIS PAGE INTENTIONALLY LEFT BLANK

PIPER PARTS CATALOG

Figure and Index Number	Part Number	Code	NOMENCLATURE	No. Req.	SERIAL NUMBERS AFFECTED
35-	67147		DRAWING - Nose Landing Gear Installation		
-1	67100-010		GEAR ASSEMBLY - Nose (less tire, tube and wheel assembly)	1	
-2	67050-002		STRUT ASSEMBLY - Nose gear, lower	1	
-3	452-448	C	BEARING - (FF-411-4)	2	
	67026-007	D	BEARING	2	
-4	484-790		O-RING - (MS28775-210)	1	
-5	484-799		O-RING - (MS28775-327)	1	
-6	462-034		O-RING - (AN6230-5)	1	
-7	484-684		RING - Snap (N5000-118MD)	1	
-8	484-685		RING - Snap (N5000-250MD)	1	
-9	484-723		RING - Snap (5100-268)	1	
-10	187-630		STRIP - Wiper (PAH4615SHDI750)	1	
-11	20735-005		LINK ASSEMBLY - Nose gear torque	2	
-12	452-366		BEARING - (F-310-5)	1	
-13	62833-045		SPACER - Trunnion	AR	
-14	20784-000		PIN - Bearing retaining	2	
-15	67909-000		BEARING - Strut tube, upper	1	
-16	67755-000		BEARING - Strut tube, lower	1	
-17	21712-002		TUBE - Nose gear orifice	1	
-18	44386-003		ARM ASSEMBLY - Nose wheel steering	1	
-19	14976-011		BUSHING - Arm assembly	2	
-20	63900-109		BUSHING - Nose gear, inner (.789 long)	2	
-21	63900-122		BUSHING - Nose gear, outer (.750 long)	2	
-21a	452-477		BEARING - Sleeve, center (.750 long)	2	
-21b	400 -744		BOLT - (AN25-30A)	2	
	407-586		WASHER - (AN960-516L)	2	
	404-531		NUT - (MS21042-5)	2	
-22	67054-003	E	TRUNNION ASSEMBLY - Nose gear	1	
-23	452-447	A	BEARING - (FF602-5)	2	
	67026-011	A	BEARING	4	28R-7635489 and up
-24	95061-144		BUSHING - Trunnion assembly	1	
-25	460-823		FITTING - Grease (AS15001-1-P)	1	
-26	452-448	C	BEARING - (FF411-4)	2	
	67026-007	D	BEARING	2	
-27	480-700		PIN - Roll	1	
-28	67107-000		BRACKET - Nose gear aligner guide	1	
-29	21710-000		WASHER - Nose gear lock	1	
<p>A - If 4 bushings are installed, order four each of part number 67026-011. If 2 bushings are installed, order 2 each of part number 452-447.</p> <p>C - Used on PA-28R-180 with serial numbers 28R-30005 to 28R-30481 inclusive, 28R-30483 to 28R-31279 inclusive, and PA-28R-200 with serial numbers 28R-30482, 28R-35001 to 28R-7135062 inclusive.</p> <p>D - Used on PA-28R-180 with serial numbers 28R-7130001 and up, and PA-28R-200 with serial numbers 28R-7135063 and up.</p> <p>E - Reference latest revision to Piper Service Bulletin 510 on Nose Landing Gear Trunnion Modification using Kit 761-074. The kit is used on PA-28R-200 aircraft with serial numbers 28R-76850001 to 28R-7635432.</p>					

When ordering, always specify Part Number, Description, and Serial Number of Aircraft

PIPER PARTS CATALOG

Figure and Index Number	Part Number	Code	NOMENCLATURE	No. Req.	SERIAL NUMBERS AFFECTED
35 -30	67148-000		TUBE ASSEMBLY - Nose gear strut, upper	1	
-31	21831-004		** BEARING - Tube assembly, nose gear strut	1	
-32	452-448	E	** BEARING - (FF-411-4)	2	
	67026-007	D	** BEARING	2	
-32a	484-828		* RING - Compression (R19047)	1	
-33	67245-000		* PLATE - Orifice	1	
-34	455-124		* CORE - Air valve (AN809-1)	1	
-35	453-124		* BODY - Air valve (AN812-1)	1	
-36	454-053		* CAP - Air valve (AN813-1B)	1	
-37	462-024		* GASKET - Air valve (AN901-5A)	1	
-38	401-265		* BOLT - (AN3-H7A)	3	
	690-612		* WASHER - (NAS1149F0363P)	3	
-39	80122-088		* WASHER - Nose gear	1	
-40	691-315		* BOLT - (NAS6605D46)	1	
	690-619		* WASHER - (NAS1149F0532P)	2	
	404-102		* NUT - (AN310-5)	2	
	424-052		* COTTER PIN (AN380-2-3)	2	
-41	691-334		* BOLT - (NAS6604D15)	1	
	690-613		* WASHER - (NAS1149F0432P)	1	
	690-611		* WASHER - (NAS1149F0463P)	2	
	404-101		* NUT - (AN310-4)	1	
	424-052		* COTTER PIN (AN380-2-3)	1	
-42	404-840		* NUT - (MS20364-1414C)	1	
-43	67758-000	F	BUSHING - Trunion assembly	2	
-44	20781-000		PLACARD - Oleo service instructions	1	
-45	451-728		TIRE - (5.00 x 5, 4 ply) McCreary	1	
	761-974		TIRE - (5.00 x 5, 4 ply) B. F. Goodrich	1	
-46	451-739		TUBE - (5.00 x 5)	1	
-47	551-792	A	WHEEL ASSEMBLY - (40-788) Cleveland	1	
	551-772	C	WHEEL ASSEMBLY - (D-30500) McCauley	1	
-48	758-397	B	BUSHING - Valve stem (A-30653)	1	
-49	67106-000		NUT - Nose gear axle	1	
-50	424-146		PIN - (MS20392-1C19)	1	
	690-668		WASHER - (NAS1149FN432P)	1	
	424-052		COTTER PIN - (MS24665-134)	1	

A - See Figure 36 for component parts.
 B - Used with McCauley Nose Wheel only.
 C - See Figure 36B for component parts.
 D - Used on PA-28R-180 with serial numbers 28R-7130001 and up, and PA-28R-200 with serial numbers 28R-7135063 and up.
 E - Used on PA-28R-180 with serial numbers 28R-30005 to 28R-30481 inclusive, 28R-30483 to 28R-31279 inclusive, and PA-28R-200 with serial numbers 28R-30482, 28R-35001 to 28R-7135062 inclusive.
 F - Ascertain I.D. of trunion assembly hole before ordering bushings. If a 2.81 I.D. x .62 deep hole is reamed in both ends of trunion assembly, bushings are required. If a 2.69 I.D. hole is reamed thru entire length of trunion assembly, bushings are not required.

When ordering, always specify Part Number, Description, and Serial Number of Aircraft

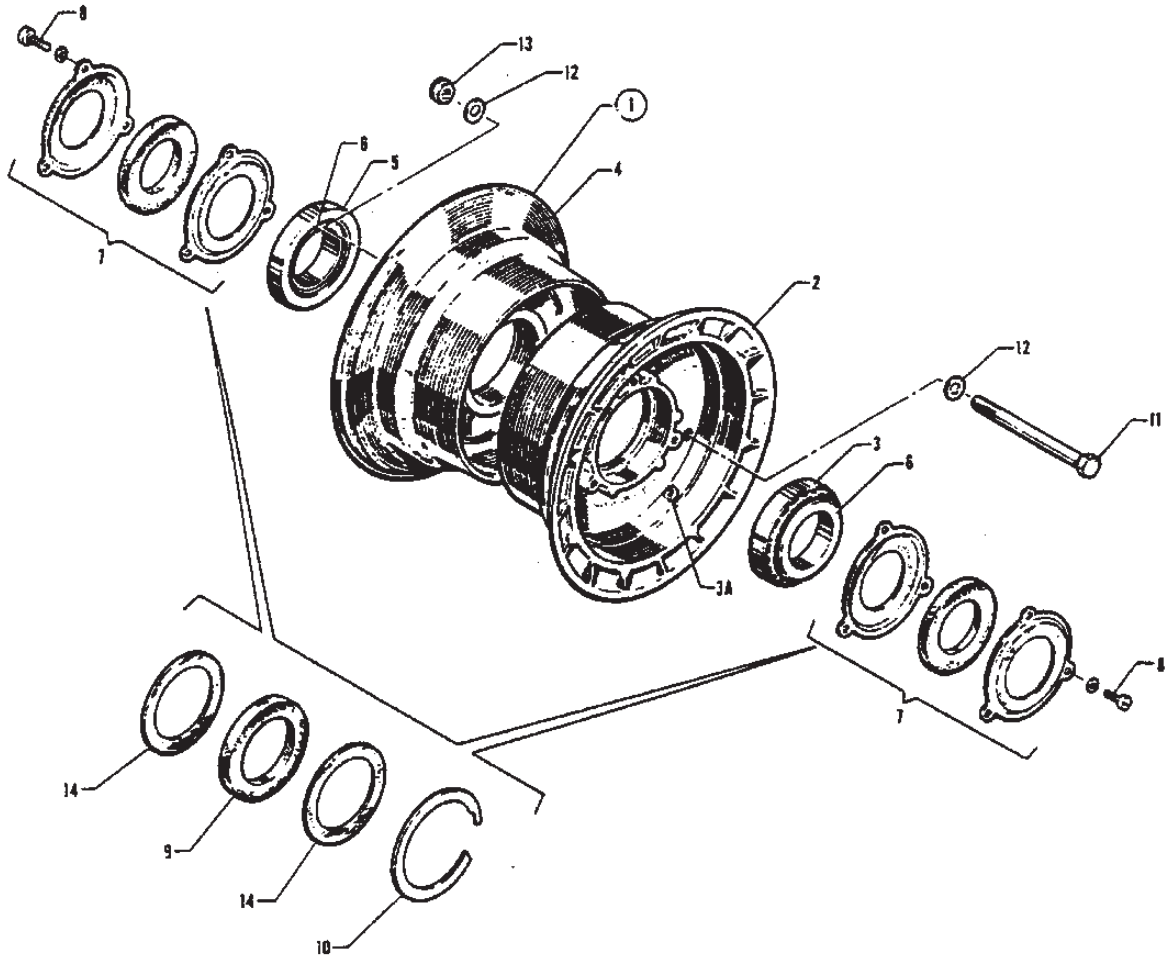


Figure 36. Nose Wheel Assembly (Cleveland)

THIS PAGE INTENTIONALLY LEFT BLANK

PIPER PARTS CATALOG

Figure and Index Number	Part Number	Code	NOMENCLATURE	No. Req.	SERIAL NUMBERS AFFECTED
36 -1	451-755	A	WHEEL ASSEMBLY - Nose (Cleveland 38501)	1	
	551-766	E	WHEEL ASSEMBLY - Nose (Cleveland 40-76F)	1	
-2	551-792	B	WHEEL ASSEMBLY - Nose (Cleveland 40-77B)	1	
	753-128	C	WHEEL HALF ASSEMBLY - Outer (3041A) (with valve hole)	1	
	756-665	F	WHEEL HALF ASSEMBLY - Outer (162-45) (with valve hole)	1	
-3	756-667	D	WHEEL HALF ASSEMBLY - Outer (162-53) (with valve hole)	1	
	751-494	C,F	* CUP - Bearing (13836)	1	
-3a	757-831	D	* CUP - Bearing (08231)	1	
	755-048	D	* GROMMET - (217-00100)	1	
-4	753-129	C	WHEEL HALF ASSEMBLY - Inner (3045A)	1	
	756-666	F	WHEEL HALF ASSEMBLY - Inner (161-47)	1	
	756-668	D	WHEEL HALF ASSEMBLY - Inner (161-55)	1	
-5	751-494	C,F	* CUP - Bearing (13836)	1	
	757-831	D	* CUP - Bearing (08231)	1	
-6	751-489	C,F	BEARING - Cone (13889)	2	
	758-733	D	BEARING - Cone (08125)	2	
-7	752-882	C	GREASE SEAL ASSEMBLY - (B39001)	2	
-8	756-129	C	* SCREW - (8-32 x 1/2)	3	
	408-043	C	* WASHER - (MS35333-38)	3	
-9	754-804	D	FELT - Grease seal (154-6)	2	
	751-819	F	FELT - Grease seal (154-14)	2	
-10	756-008	D	RING - Snap (155-2)	2	
	752-830	F	RING - Snap (3023)	2	
-11	751-384	C	BOLT - Wheel (AN4-36A)	3	
	751-405	F	BOLT - Wheel (AN5-35A)	3	
	400-015	D	BOLT - Wheel (AN4-22A)	3	
-12	690-611	C,D	WASHER - Wheel bolt (NAS1149F0463P)	6	
	407-566	F	WASHER - Wheel bolt (AN960-516)	6	
-13	404-530	C,D	NUT - Wheel bolt (MS21042-4)	3	
	405-421	F	NUT - Wheel bolt (MS21042-5)	3	
-14	756-007	D	RING - Grease seal (153-8)	4	
	755-964	F	RING - Grease seal (153-9)	4	

A - Used on PA-28-150 and PA-28-160 with serial numbers 28-1 and up, PA-28-140 with serial numbers 28-20002 to 28-7225334 inclusive, PA-28-180 with serial numbers 28-671 to 28-7205243 inclusive, and PA-28-235 with serial numbers 28-10003 to 28-7210019 inclusive. Part is no longer available. Order Wheel Assembly, Part Number 551-766, and two Spacer Bushings, Part Number 66618-002, when replacing Model 38501 Wheel. Order Part Number 551-766 Wheel only if Model 40-76B or 40-76F has previously been installed.

B - Used on PA-28R-180 and PA-28R-200 airplanes only.

C - Used on Model 38501 Wheel Assembly only.

D - Used on Model 40-77A or 40-77B Wheel Assembly only.

E - Used on PA-28-140 with serial numbers 28-7225335 and up, PA-28-180 with serial numbers 28-7205244 and up, and PA-28-235 with serial numbers 28-7210020 and up.

F - Used on Model 40-76B or 40-76F Wheel Assembly only.

When ordering, always specify Part Number, Description, and Serial Number of Aircraft

THIS PAGE INTENTIONALLY LEFT BLANK

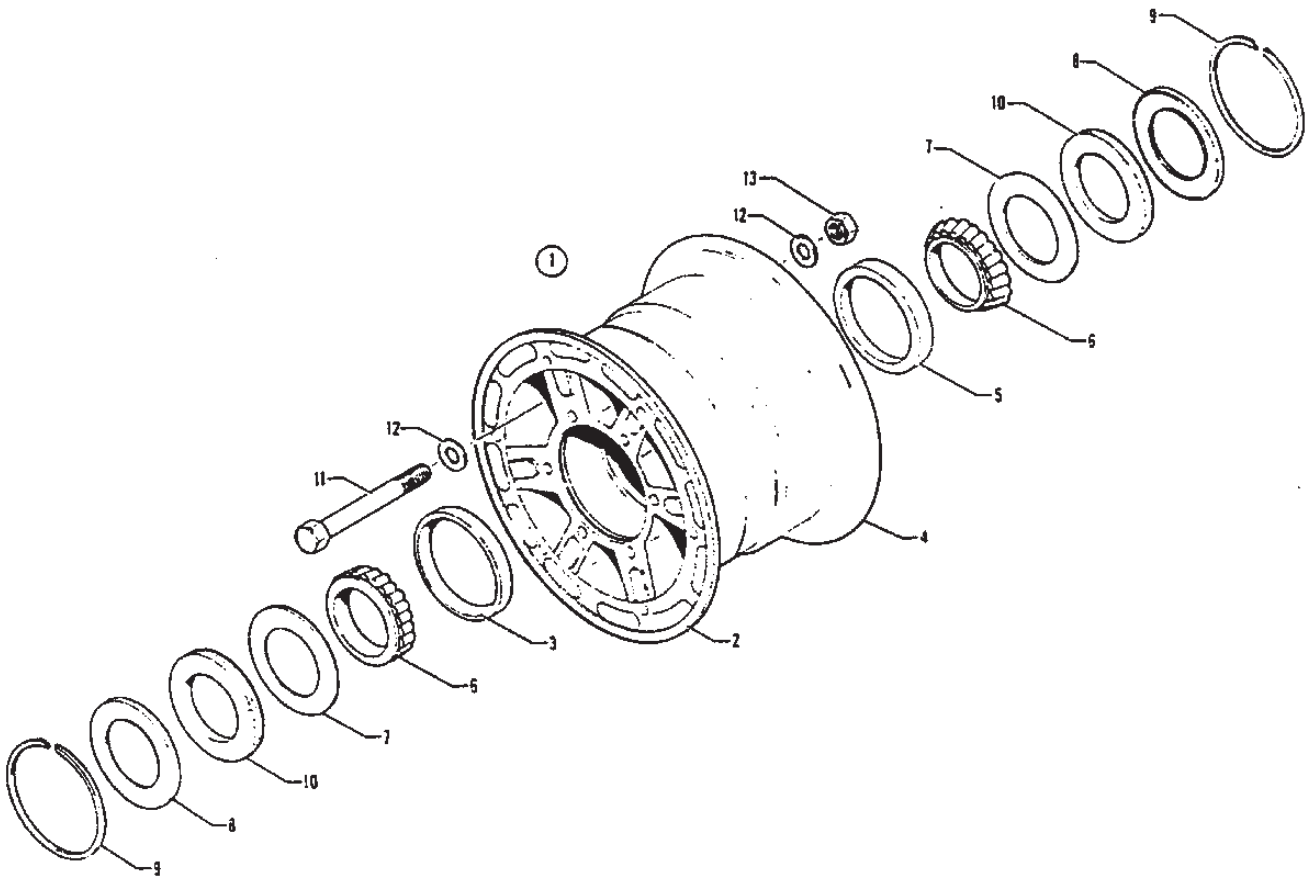


Figure 36A. Nose Wheel Assembly (McCauley)

PA-28-140
PA-28-150
PA-28-160
PA-28-180
PA-28-235

THIS PAGE INTENTIONALLY LEFT BLANK

PIPER PARTS CATALOG

Figure and Index Number	Part Number	Code	NOMENCLATURE	No. Req.	SERIAL NUMBERS AFFECTED
36A-1	551-773		WHEEL ASSEMBLY - Nose (D-30625)	1	
-2	756-688		WHEEL - Half, inner (C-30608)	1	
-3	763-216		CUP - Bearing (A-30079-1)	1	
-4	756-687		WHEEL - Half, outer (C-30605)	1	
-5	763-216		CUP - Bearing (A-30079-1)	1	
-6	758-392		BEARING - Cone (A-30079-2)	2	
-7	762-559		RETAINER - (A-30015)	2	
-8	762-558		RETAINER - (A-30014)	2	
-9	762-562		RING - Retainer (A-1636-24)	2	
-10	754-855		FELT - Retainer (A-30010)	2	
-11	758-394		BOLT - (A-2513-75)	3	
-12	756-685		WASHER - (A-1638-1)	6	
-13	752-571		NUT - (A-1639-1)	3	

When ordering, always specify Part Number, Description, and Serial Number of Aircraft

PA-28-140
PA-28-150
PA-28-160
PA-28-180
PA-28-235

THIS PAGE INTENTIONALLY LEFT BLANK

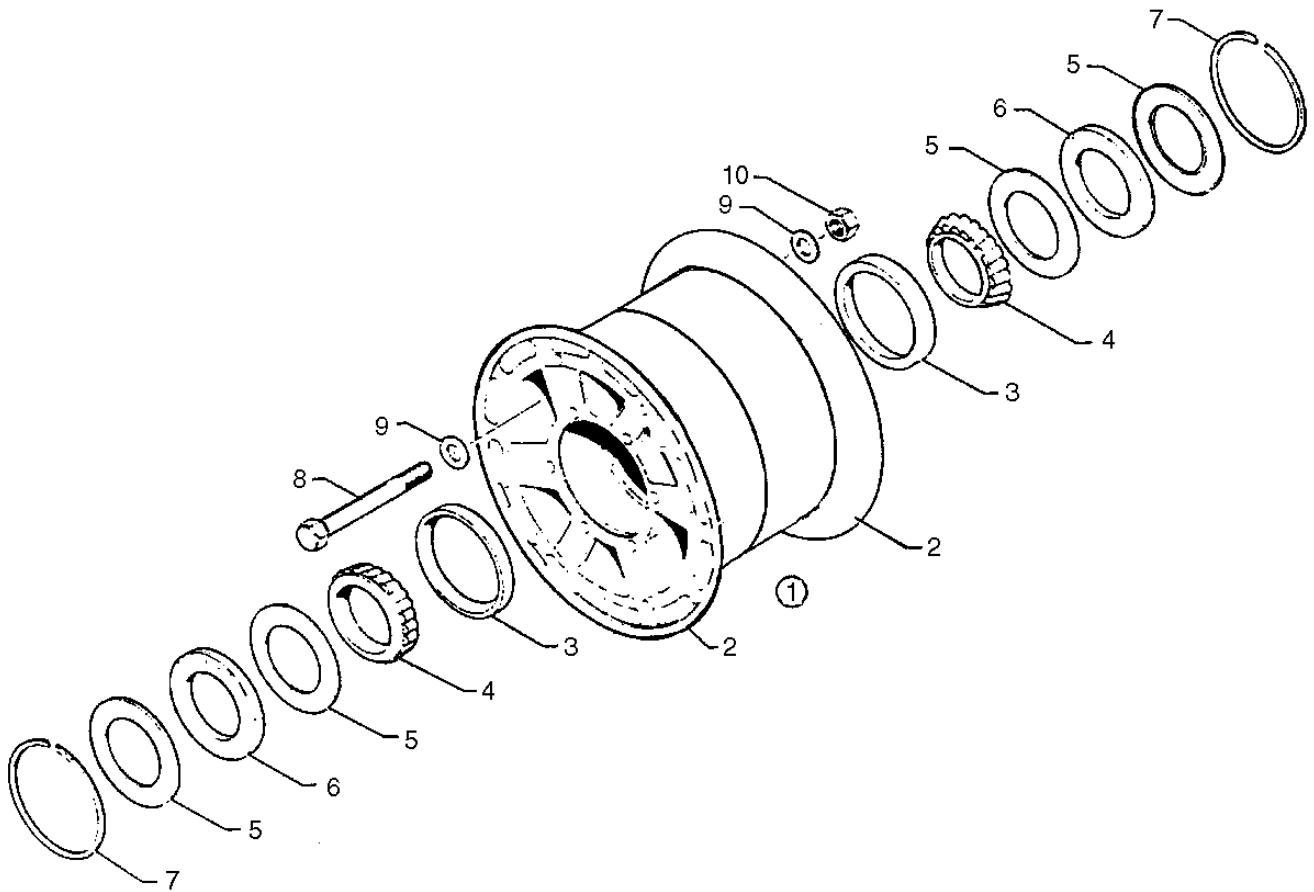


Figure 36B. Nose Wheel Assembly (McCauley)

THIS PAGE INTENTIONALLY LEFT BLANK

PIPER PARTS CATALOG

Figure and Index Number	Part Number	Code	NOMENCLATURE	No. Req.	SERIAL NUMBERS AFFECTED
36B-1	551-772		WHEEL ASSEMBLY - Nose (D-30500)	1	
-2	756-686		WHEEL - Half (C-330598)	2	
-3	763-215		CUP - Bearing (A-30078-1)	1	
-4	758-391		BEARING - Cone (A-30078-2)	2	
-5	762-560		RETAINER - (A-30048)	4	
-6	754-856		FELT - (A-30047)	2	
-7	762-561		RING - Retaining (A-1636-23)	2	
-8	758-393		BOLT - (A-2513-73)	3	
-9	756-685		WASHER - (A-1638-1)	6	
-10	752-571		NUT - (A-1639-1)	3	

When ordering, always specify Part Number, Description, and Serial Number of Aircraft

THIS PAGE INTENTIONALLY LEFT BLANK

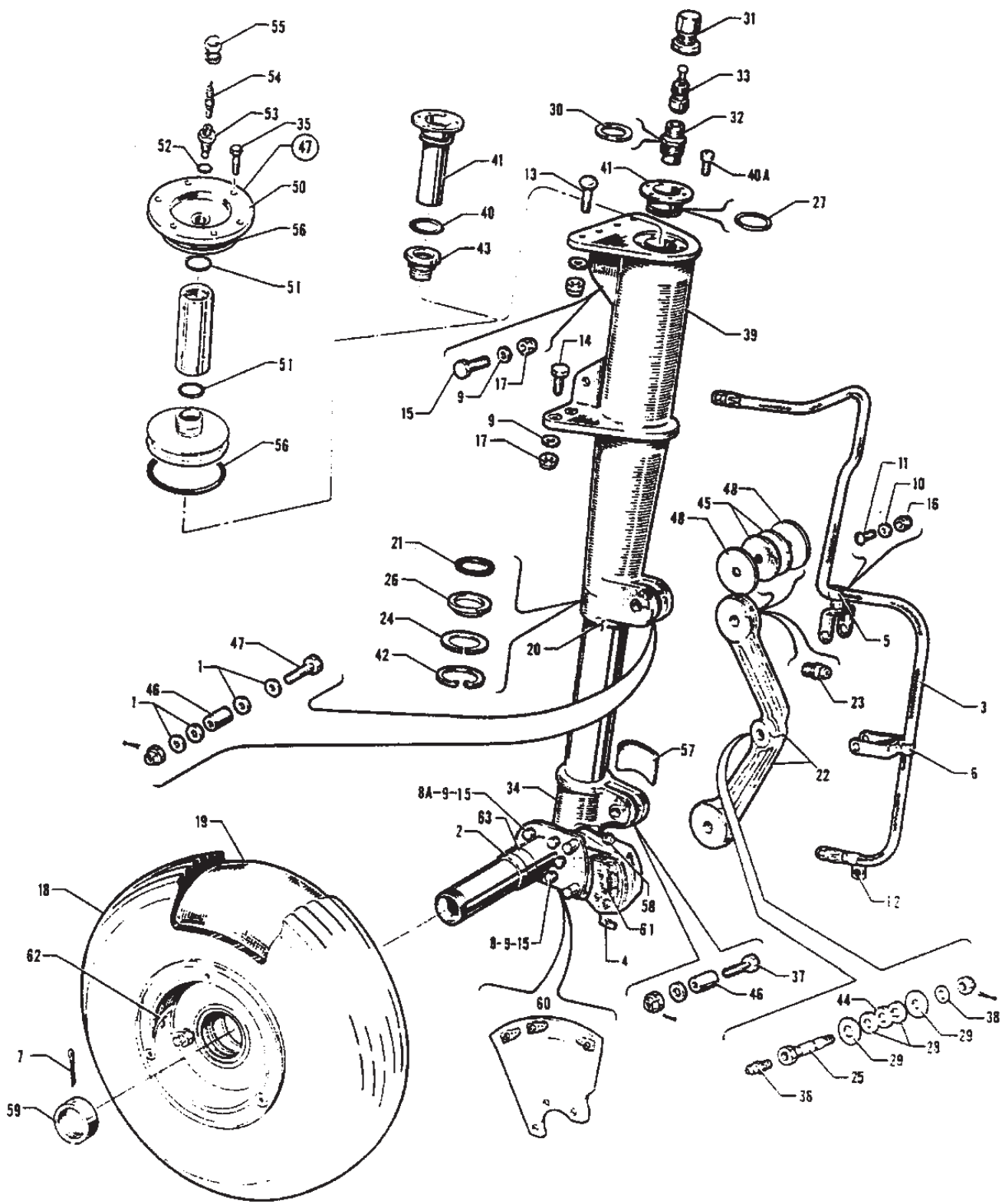


Figure 37. Main Gear Installation

PA-28-140
PA-28-150
PA-28-160
PA-28-180
PA-28-235

THIS PAGE INTENTIONALLY LEFT BLANK

PIPER PARTS CATALOG

Figure and Index Number	Part Number	Code	NOMENCLATURE	No. Req.	SERIAL NUMBERS AFFECTED
37-	63318	C	DRAWING - Main Gear Installation		
	62211	D	DRAWING - Main Gear Installation		
-1	407-566		WASHER - (AN960-516)	4	
-2	63484-000		SPACER - Main gear axle (.153 wide)	2	
-3	63901-017		HOSE - Brake line	2	
-4	458-894	E	ELBOW - (MS20822-4D)	2	
-5	63332-003		CLIP - Hose	2	
-6	63332-005		CLIP - Hose	2	
-7	424-071		COTTER PIN (MS24665-360)	2	
-8	406-945		NUT - (NAS679A4W)	6	
-8a	404-530	A	NUT - (MS21042-4)	6	
	404-888	B	NUT - (MS20365-428C)	6	
-9	690-611		WASHER - (NAS1149F0463P)	38	
-10	690-640		WASHER - (NAS1149FN632P)	8	
-11	415-518		SCREW - (MS35206-228)	6	
-12	63332-003		CLAMP - Brake hose	2	
-13	416-348		SCREW - (AN525416R20)	8	
-14	401-311		BOLT - (AN4-11A)	8	
-15	400-003		BOLT - (AN4-6A)	16	
-16	404-528		NUT - (MS21042-06)	4	
-17	404-530		NUT - (MS21042-4)	32	
-18	761-970	A	TIRE - (6.00 x 6, 4 ply) B. F. Goodrich	2	
	761-994	A	TIRE - (6.00 x 6, 4 ply) McCreary Airhawk	2	
	761-972	B	TIRE - (6.00 x 6, 6 ply) B. F. Goodrich	2	
	761-995	B	TIRE - (6.00 x 6, 6 ply) McCreary Airhawk	2	
-19	451-735		TUBE - (6.00 x 6)	2	
-20	35644-902	A,F	GEAR ASSEMBLY - Main, left (Less tire, tube, wheel and brake assembly)	1	
	35644-903	A,F	GEAR ASSEMBLY - Main, right (Less tire, tube, wheel and brake assembly)	1	
	65493-910	B,G	GEAR ASSEMBLY - Main, Left (Less tire, tube, wheel and brake assembly)	1	
	65493-911	B,G	GEAR ASSEMBLY - Main, right (Less tire, tube, wheel and brake assembly)	1	
			A - Used on PA-28-140, PA-28-150, PA-28-160 and PA-28-180 only.		
			B - Used on PA-28-235 only.		
			C - Used on PA-28-150, PA-28-160 and PA-28-180 with serial numbers 28-1 to 28-1529 inclusive, and PA-28-235 airplanes.		
			D - Used on PA-28-140, PA-28-150, PA-28-160 and PA-28-180 with serial numbers 28-1530 and up.		
			E - Used on PA-28-150, PA-28-160 and PA-28-180 with serial numbers 28-1761 and up, PA-28-235 with serial numbers 28-10487 and up, and PA-28-140 with serial numbers 28-20521 and up.		
			F - When ordering this part for PA-28-140 with serial numbers 28-20002 to 28-20520 inclusive PA-28-150, PA-28-160 and PA-28-180 with serial numbers 28-1 to 28-1760 inclusive, ascertain part number of wheel assembly installed on aircraft. If wheel assembly (40-28) is installed, a new wheel assembly (40-86B) Part Number 551-764 must also be ordered.		
			G - When ordering this part for serial numbers 28-10003 to 28-10486 inclusive, ascertain part number of wheel assembly installed on aircraft. If wheel assembly (40-58) is installed, a new wheel assembly (40-86B) Part Number 551-764 must also be ordered.		

When ordering, always specify Part Number, Description, and Serial Number of Aircraft

PA-28-140
PA-28-150
PA-28-160
PA-28-180
PA-28-235

PIPER PARTS CATALOG

Figure and Index Number	Part Number	Code	NOMENCLATURE	No. Req.	SERIAL NUMBERS AFFECTED
37 -21	484-769		* PACKING - Quad ring (4326)	1	
-22	78033-000	A,J	* LINK ASSEMBLY - Torque	2	
-23	460-823		* * FITTING - Lubricator (AS15001-1-P)	2	
-24	63307-000		* RING - Piston spacer	1	
-25	79543-002	B	* BOLT - Main gear torque link	1	
	404-105		* NUT - (AN310-8)	1	
	424-059		* COTTER PIN - (MS24665-283)	1	
-26	486-188		* RING - Scraper (MS28776M2)	1	
-27	484-792	D,F	* PACKING - O-Ring (MS28775-218)	1	
-28	63312-000		* WASHER - Torque link spacer (1/8" thickness)	2	
	63312-002		* WASHER - Torque link spacer (1/16" thickness)	2	
-29	62833-027		* WASHER - Torque Link bolt	2	
-30	462-024	F	* GASKET - Air valve (AN901-5A)	1	
-31	454-053	F	* CAP - (AN813-1B) Air valve	1	
-32	453-124	F	* VALVE - (AN812-1) Air	1	
-33	455-124	F	* CORE - (AN809-1) Air valve	1	
-34	78738-002	C,G	* STUB AXLE AND OLEO PISTON ASSEMBLY - Left	1	
	78738-003	C,G	* STUB AXLE AND OLEO PISTON ASSEMBLY - Right	1	
	78738-004	E,H	* STUB AXLE AND OLEO PISTON ASSEMBLY - Left	1	
	78738-005	E,H	* STUB AXLE AND OLEO PISTON ASSEMBLY - Right	1	
-35	401-918		* BOLT - (AN74-A3)	6	
			<p>A - When ordering for PA-28-140 with serial numbers 28-20002 to 28-7225496 inclusive, PA-28-150, PA-28-160 and PA-28-180 with serial numbers 28-1 to 28-7205293 inclusive, and PA-28-235 with serial numbers 28-10003 to 28-7310001 inclusive ascertain if existing links are marked with forging number 78031-0, If number does not appear on link forging links must be ordered in pairs along with two 6331202 washers.</p> <p>B - Order Greaser Bolt Replacement Kit 760 910 if shoulder bolt is installed.</p> <p>C - When ordering this part for PA-28-140 with serial numbers 28-20002 to 28-20520 inclusive PA-28-150, PA-28-160 and PA-28-180 with serial numbers 28-1 to 28-1760 inclusive, ascertain part number of wheel assembly installed on aircraft. If wheel assembly (40-28) is installed, a new wheel assembly (40-86B) Part Number 551-764 must also be ordered.</p> <p>D - Used on PA-28-140 with serial numbers 28-20002 to 28-7725223 inclusive, PA-28-150, PA-28-160, PA-28-180, and PA-28-235 with serial numbers 28-10003 to 28-7710030 inclusive.</p> <p>E - When ordering this part for serial numbers 28-10003 to 28-10486 inclusive, ascertain part number of wheel assembly installed on aircraft. If wheel assembly (40-58) is installed, a new wheel assembly (40-86B) Part Number 551-764 must also be ordered.</p> <p>F - Used when gear cylinder forging is stamped with Piper Part Number 65319-02 or 65319-03 or 65319-04.</p> <p>G - Used on PA-28-140, PA-28-150, PA-28-160 and PA-28-180 only.</p> <p>H - Used on PA-28-235 only.</p> <p>J - Reference latest revision of Piper Service Bulletin 248 on Main Landing Gear Torque Link Bolt Kit 757-123.</p>		

PA-28-140
PA-28-150
PA-28-160
PA-28-180
PA-28-235

When ordering, always specify Part Number, Description, and Serial Number of Aircraft

PIPER PARTS CATALOG

Figure and Index Number	Part Number	Code	NOMENCLATURE	No. Req.	SERIAL NUMBERS AFFECTED
37 -36	460-823		* FITTING - Lubricator (AS15001-1-P)	1	
-37	400-165		* BOLT - (AN5-22)	1	
	690-628		* WASHER - (NAS1149F0563P)	3	
	690-619		* WASHER - (NAS1149F0532P)	3	
	404-122		* NUT - (AN310-C5)	1	
	424-095		* COTTER PIN - (MS24665-151)	1	
-38	690-619		* WASHER - (NAS1149F0532P)	1	
-39	65319-004	C,E,F	* CYLINDER	1	
	65490-000	D	* CYLINDER	1	
-40	484-746	P,C	* O-RING - (AN6227-19)	1	
-40a	401-918		* BOLT	6	
-41	63315-000	A	* CYLINDER HEAD	1	
	65005-000	B,C	* TUBE ASSEMBLY - Metering (with cylinder head)	1	
-42	63314-000		* RETAINER RING - Piston	1	
-43	65006-000	B,C	* ORIFICE ASSEMBLY	1	
	65430-003	A	* ORIFICE ASSEMBLY	1	
-44	63312-000		* WASHER - Torque link spacer	1	
-45	63311-000		* WASHER - Bearing (.063 thick)	4	
-46	63310-000		* SPACER - Torque link	2	
-47	400-166		* BOLT - (AN5-23)	1	
	690-628		* WASHER - (NAS1149F0563P)	AR	
	690-619		* WASHER - (NAS1149F0532P)	AR	
	404-122		* NUT - (AN310-C5)	1	
	424-095		* COTTER PIN - (MS24665-151)	1	
-48	63311-003		* WASHER - Bearing (.005 thick)	AR	
-49	65488-000	D	* HEAD ASSEMBLY - Main gear cylinder	1	
-50	65485-000	D	** HEAD - Main gear cylinder	1	
-51	484-789	D	** O-RING - (MS28775-116)	2	
-52	462-024	D	** GASKET - Air valve (AN901-5A)	1	
-53	453-124	D	** VALVE - Air (AN812-1)	1	
-54	455-124	D	** CORE - Air valve (AN809-1)	1	
-55	454-053	D	** CAP - Air valve (AN813-1B)	1	
-56	462-036	D	* O-RING - (AN6230-9)	2	
-57	65369-000	B	PLACARD - Oleo service instruction (decal)	2	
	63933-000	A	PLACARD - Oleo service instruction (decal)	2	
-58	451-854	B	ADAPTER - (W/H 3200 x 2)	2	
-59	13020-000		NUT - Wheel retainer (.56 long)	2	
	63483-000		NUT - Wheel retainer (.71 long)	2	
	66820-000		NUT - Wheel retainer (1.09 long)	2	
			A - Used on PA-28-140, PA-28-150, PA-28-160 and PA-28-180 airplanes only.		
			B - Used on PA-28-235 airplanes only.		
			C - Used when gear cylinder forging is stamped with Piper Part Number 65319-002, 65319-003, or 65319-004.		
			D - Used when gear cylinder forging is stamped with Piper Part Number 65441-000 or 65441-002.		
			E - Reference latest revision to Piper Service Bulletin 1131 on Inspection of Cast Main Landing Gear Strut Cylinders. Also reference Piper Service Letter 494 if fluid leakage has been experienced.		

When ordering, always specify Part Number, Description, and Serial Number of Aircraft

PA-28-140
PA-28-150
PA-28-160
PA-28-180
PA-28-235

PIPER PARTS CATALOG

Figure and Index Number	Part Number	Code	NOMENCLATURE	No. Req.	SERIAL NUMBERS AFFECTED
37 -60	63370-004		BRACKET ASSEMBLY - Wheel fairing, Left	1	28-1 to 28-1529 inclusive
	63370-005		BRACKET ASSEMBLY - Wheel fairing, right	1	28-1 to 28-1529 inclusive
	63370-005	E	BRACKET ASSEMBLY - Wheel fairing, Left	1	
	63370-004	E	BRACKET ASSEMBLY - Wheel fairing, right	1	
-61	451-718	B,F	BRAKE ASSEMBLY - (30-18)	2	
	551-703	D,F	BRAKE ASSEMBLY - (30-34)	2	28-10003 to 28-10486 incl.
	551-711	C,F	BRAKE ASSEMBLY - (30-55)	2	
-62	451-769	B,G,J	WHEEL ASSEMBLY - (6.00 x 6) (40-28)	2	
	451-778	A,G,J	WHEEL ASSEMBLY - (6.00 x 6) (40-58)	2	
	551-764	G,H,J	WHEEL ASSEMBLY - (6.00 x 6) (40-86B)	2	
-63	63308-000		SPACER - Wheel (.50 wide)	2	
<p>A - Used on PA-28-235 with serial numbers 28-10003 to 28-10486 inclusive.</p> <p>B - Used on PA-28-150, PA-28-160 and PA-28-180 with serial numbers 28-1 to 28-1760 inclusive, and PA-28-140 with serial numbers 28-20002 to 28-20520 inclusive.</p> <p>C - Used on PA-28-150, PA-28-160 and PA-28-180 with serial numbers 28-1761 and up, PA-28-235 with serial numbers 28-10487 and up, and PA-28-140 with serial numbers 28-20521 and up.</p> <p>D - Used on PA-28-235 airplanes only.</p> <p>E - Used on PA-28-150 and PA-28-160 with serial numbers 28-1530 and up, PA-28-140, PA-28-180 and PA-28-235 airplanes.</p> <p>F - Refer to Figure 41 for component parts.</p> <p>G - Refer to Figure 40 for component parts.</p> <p>H - Used on PA-28-140 with serial numbers 28-20521 and up, PA-28-150, PA-28-160 and PA-28-180 with serial numbers 28-1761 and up, and PA-28-235 with serial numbers 28-10487 and up.</p> <p>J - Before ordering, ascertain vendor part number (stamped on outer wheel half) and reorder wheel assembly of same part number.</p>					

PA-28-140
PA-28-150
PA-28-160
PA-28-180
PA-28-235

When ordering, always specify Part Number, Description, and Serial Number of Aircraft

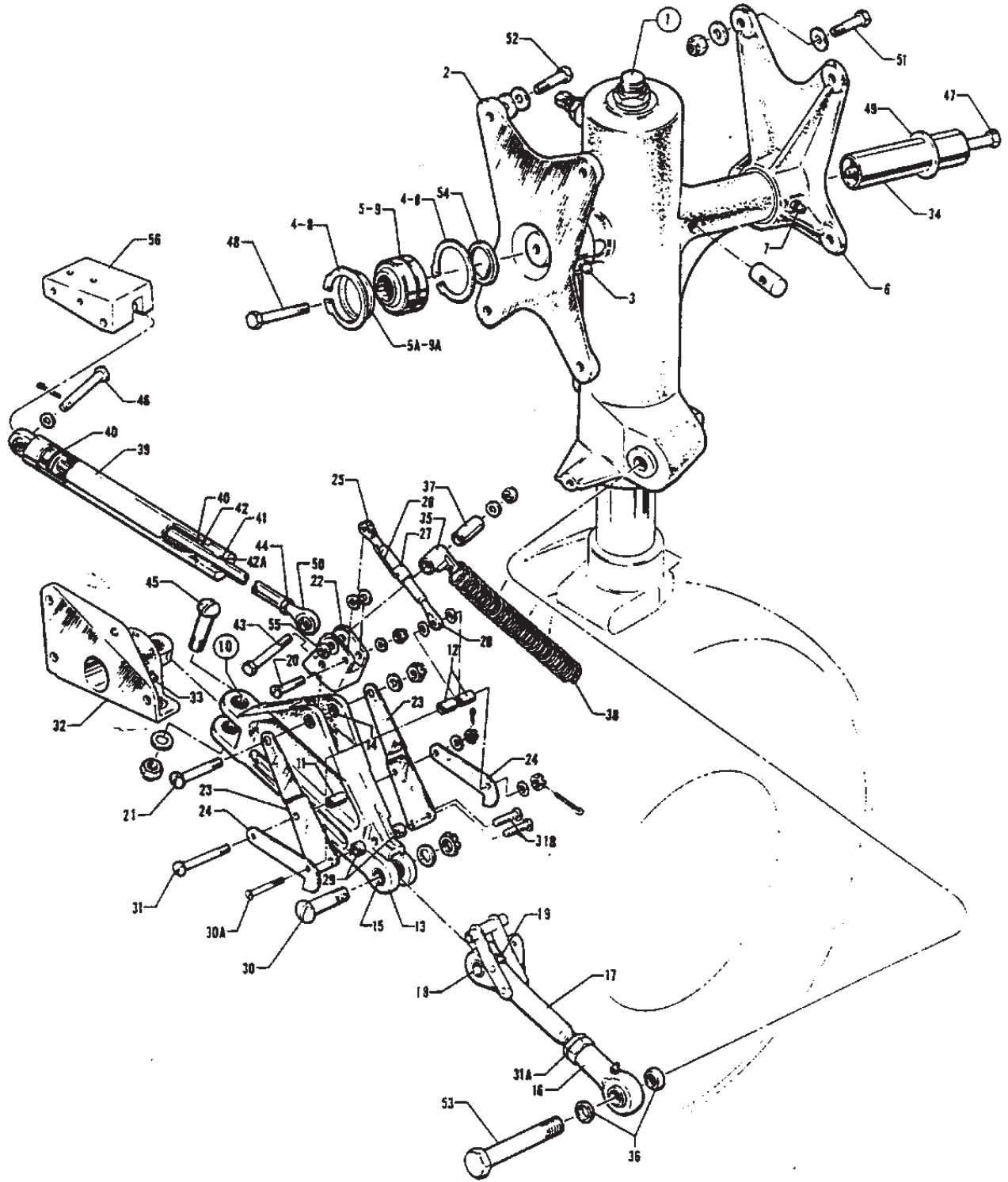


Figure 38. Main Gear Installation

THIS PAGE INTENTIONALLY LEFT BLANK

PIPER PARTS CATALOG

Figure and Index Number	Part Number	Code	NOMENCLATURE	No. Req.	SERIAL NUMBERS AFFECTED
38-	67030		DRAWING - Main Landing Gear Installation		
-1	67927-008	A	GEAR ASSEMBLY - Main, left (less tire, tube, wheel and brakes assembly)	1	
	67927-009	A	GEAR ASSEMBLY - Main, right (less tire, tube, wheel and brakes assembly)	1	
-2	67040-012		FITTING ASSEMBLY - Forward trunnion, left	1	
	67040-013		FITTING ASSEMBLY - Forward trunnion, right	1	
-3	460-823		* FITTING - Lubricator (AS15001-1-P)	1	
-4	484-719		* RING - Retainer (5008-175)	2	
-5	452-575		* BEARING - Spherical	1	
-5a	62833-044		* SPACER	AR	
-6	67042-012		FITTING ASSEMBLY - Aft trunnion	2	
-7	460-823		* FITTING - Lubricator (AS15001-1-P)	1	
-8	484-719		* RING - Retainer (C5008-175)	2	
-9	452-575		* BEARING -Spherical	1	
-9a	62833-044		* SPACER	AR	
-10	67025-005		TRUSS ASSEMBLY - Main gear, left	1	
	67025-006		TRUSS ASSEMBLY - Main gear, right	1	
-11	63900-088		* BUSHING - Main gear truss assembly	1	
-12	63900-130		* BUSHING - Main gear truss assembly	2	
-13	67025-002		* LINK ASSEMBLY - Main gear truss assembly	1	
-14	63900-089		** BUSHING - Main gear truss assembly	2	
-15	14843-016		** BUSHING - Main gear truss assembly	4	
-16	452-368		* BEARING - Main gear truss assembly (HFX-8G)	1	
-17	67797-004		* LINK ASSEMBLY - Main gear truss assembly, left	1	
	67797-005		* LINK ASSEMBLY - Main gear truss assembly, right	1	
-18	65003-044		** BUSHING - Main gear truss assembly	2	PA-28R-180 with serial numbers 28R-3005 to 28R-30481 and 28R-763500 to 28R-7635545.
-19	460-860		** FITTING - Lubricator (MS15001-2)	1	
-20	400-679	B	* BOLT - (AN23-17)	1	
	424-181	C	* PIN - Flat head (AN393-25)	1	
	690-609		* WASHER - (NAS1149F0332P)	3	
	404-100	B	* NUT - (AN310-3)	1	
	424-051		* COTTER PIN - (AN380-2-2)	1	
-21	400-711		* BOLT - (AN24-26)	1	
	690-611		* WASHER - (NAS1149F0463P)	1	
	404-393		* NUT - (AN320-4)	1	
	424-051		* COTTER PIN - (AN380-2-2)	1	
-22	67031-002		* FITTING - Gear retraction, left	1	
	67031-003		* FITTING - Gear retraction, right	1	
-23	67024-000		* PLATE - Left gear, front and right gear, rear	1	
	67024-001		* PLATE - Left gear, rear and right gear, front	1	
-24	67028-000		* HOOK - Main gear truss assembly	2	
-25	690-402		* FORK - (MS21252-3RS)	1	
			A - See Figure 39 for component parts.		
			B - Used on PA-28R-180 with serial numbers 28R-30005 to 28R-30481 inclusive, 28R-30483 to 28R-30678 inclusive.		
			C - Used on PA-28R-180 with serial numbers 28R-30679 and up, and PA-28R-200 with serial numbers 28R-30482, 28R-35001 and up.		

When ordering, always specify Part Number, Description, and Serial Number of Aircraft

PIPER PARTS CATALOG

Figure and Index Number	Part Number	Code	NOMENCLATURE	No. Req.	SERIAL NUMBERS AFFECTED
38 -26	554-979		* CLIP - Turnbuckle (MS21256-1)	1	
-27	690-401		* BARREL - Turnbuckle (MS21251-B3S)	1	
-28	599-677		* EYE - Turnbuckle (MS21254-3LS)	1	
-29	14175-103		* BUSHING - Main gear truss assembly	2	
-30	400-757		* BOLT - (AN26-21)	1	
	690-620		* WASHER - (NAS1149F0632P)	1	
	404-395		* NUT - (AN320-6)	1	
	424-059		* COTTER PIN - (AN380-3-3)	1	
-30a	400-880		* BOLT - (AN23-28)	1	
	690-612		* WASHER - (NAS1149F0363P)	2	
	690-609		* WASHER - (NAS1149F0332P)	1	
	404-100		* NUT - (AN310-3)	1	
	424-051		* COTTER PIN - (AN380-2-2)	1	
-31	400-880		* BOLT - (AN23-28)	1	
	690-609		* WASHER - (NAS1149F0332P)	1	
	404-100		* NUT - (AN310-3)	1	
	424-051		* COTTER PIN - (AN380-2-2)	1	
-31a	404-326		* NUT - Check (AN316-8R)	1	
-31b	420-242		* RIVET - (MS20470AD5-22)	2	
-32	95643-006		BRACKET ASSEMBLY - Main gear truss, left	1	
	95643-007		BRACKET ASSEMBLY - Main gear truss, right	1	
-33	460-823		* FITTING - Lubricator, straight (AS15001-1-P)	1	
	460-801		* FITTING - Lubricator, 90° (MS51001-4)	1	
-34	67502-000		RETAINER ASSEMBLY - Main gear	2	
-35	67202-000		SWIVEL ASSEMBLY - Slide brace spring attachment	2	
-36	21822-000		BUSHING - Tapered, truss assembly	4	
-37	63900-085		BUSHING - Spring attachment	2	
-38	67203-000		SPRING - Main gear downlock	2	
-39	67505-000		CYLINDER - Hydraulic, main gear	2	
-40	484-706		* O-RING - (AN6227-11)	2	
-41	484-748		* O-RING - (AN6227-8)	1	
-42	755-997		* RETAINER - Main gear cylinder (SFD1400-1)	1	
-42a	756-053		* RING - Back-up (MS28782-8)	1	
-43	400-450		BOLT - (AN3-17A)	2	
	690-612		WASHER - (NAS1149F0363P)	2	
	404-526		NUT - (MS21042-3)	2	
-44	404-225		NUT - (MS315-4R)	2	
-45	402-921		BOLT - (NAS464P6-20)	2	
	690-629		WASHER - (NAS1149F0663P)	2	
	404-395		NUT - (AN320-6)	2	
	424-059		COTTER PIN - (AN380-3-3)	2	
-46	424-187		PIN - (MS20392-2C37)	2	
	690-612		WASHER - (NAS1149F0363P)	2	
	424-052		COTTER PIN - (MS23665-134)	2	
-47	401-335		BOLT - (AN4-40A)	2	
	406-660		NUT - Barrel (1452-048)	2	
-48	401-318		BOLT - (AN4-20A)	2	
	80122-091		WASHER	2	
	406-660		NUT - Barrel (1452-48)	2	
-49	19513-010		WASHER	AR	
-50	452-334		BEARING	2	
-51	400-004		BOLT - (AN4-7A)	8	
	690-611		WASHER - (NAS1149F0463P)	16	
	404-530		NUT - (MS21042-4)	8	
-52	400-004		BOLT - (AN4-7A)	8	
	690-611		WASHER - (NAS1149F0463P)	8	
	690-613		WASHER - (NAS1149F0432P)	8	

When ordering, always specify Part Number, Description, and Serial Number of Aircraft

PIPER PARTS CATALOG

Figure and Index Number	Part Number	Code	NOMENCLATURE	No. Req.	SERIAL NUMBERS AFFECTED
38 -53	402-960		BOLT - (NAS464P8A-44)	2	
	690-631		WASHER - (NAS1149F0863P)	2	
	404-832		NUT - (MS2036-820C)	2	
-54	67198-000		WASHER - Main gear	2	
-55	95061-064		BUSHING	2	
-56	67071-040		BRACKET - Main gear cylinder, left	1	
	67071-001		BRACKET - Main gear cylinder, right	1	

When ordering, always specify Part Number, Description, and Serial Number of Aircraft

THIS PAGE INTENTIONALLY LEFT BLANK

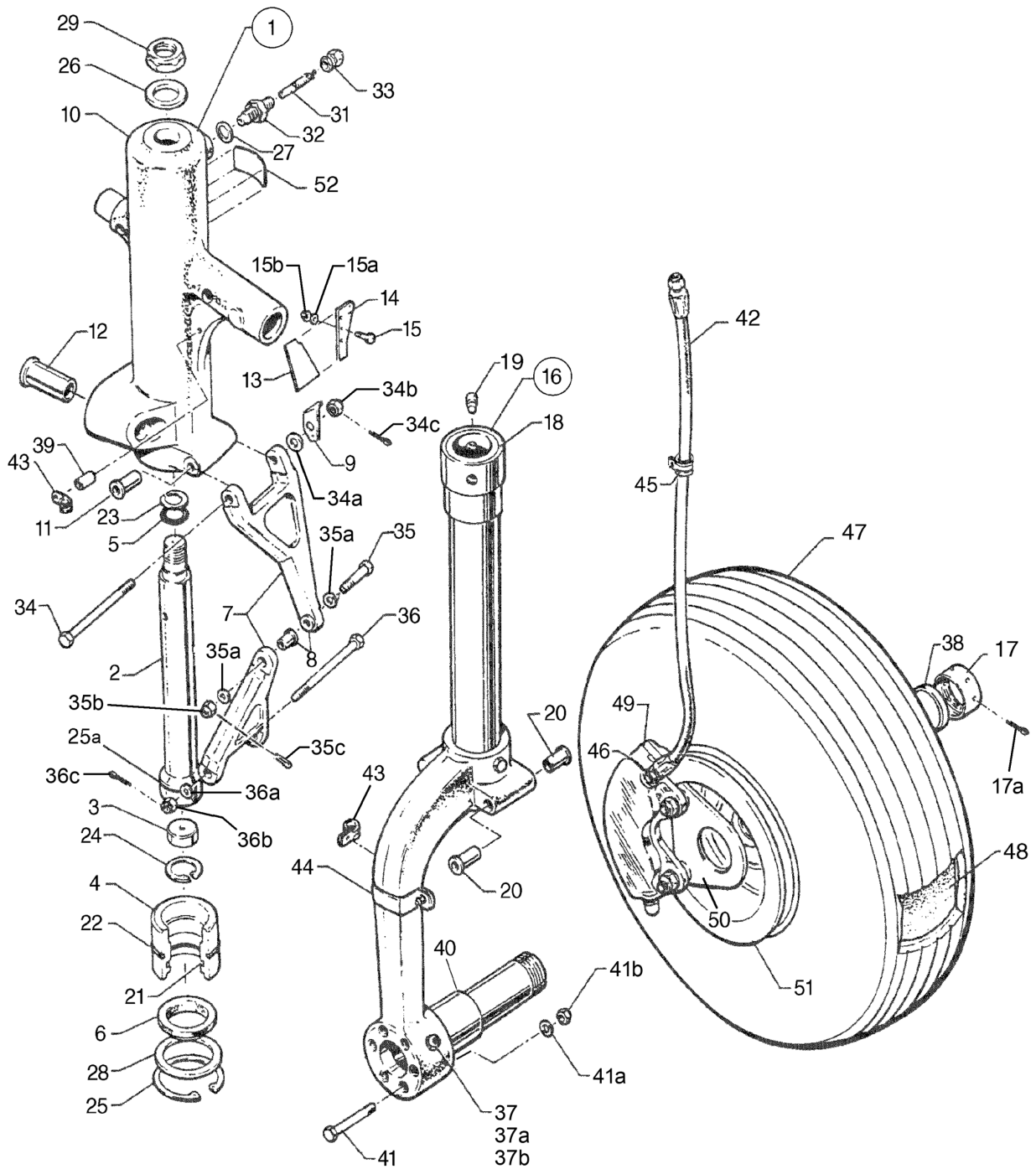


Figure 39. Main Landing Gear Assembly

THIS PAGE INTENTIONALLY LEFT BLANK

PIPER PARTS CATALOG

Figure and Index Number	Part Number	Code	NOMENCLATURE	No. Req.	SERIAL NUMBERS AFFECTED
39-	67030		DRAWING - Main Landing Gear Installation		
-1	67927-008		GEAR ASSEMBLY - Main, left (less tire, tube, wheel and brake assembly)	1	
	67927-009		GEAR ASSEMBLY - Main, right (less tire, tube, wheel and brake assembly)	1	
-2	20754-002		* ORIFICE - Main landing gear	1	
-3	79800-002		* PLATE - Orifice	1	
-4	67755-000		* BEARING - Landing gear	1	
-5	484-790		* O-RING - (MS28775-210)	1	
-6	187-630		* STRIP - Wiper (PAH4615SHD1750)	1	
-7	105041-002		* LINK ASSEMBLY - Landing gear torque	2	
-8	453-721		** BUSHING - Landing gear strut	1	
-9	67023-000		* BRACKET - Squat switch actuator, left	1	
-10	67926-012		* TRUNNION ASSEMBLY - Main gear, left	1	
	67926-013		* TRUNNION ASSEMBLY - Main gear, right	1	
-11	452-448	C	** BEARING - (FF-411-4)	2	
	67026-007	D	** BEARING	2	
-12	67026-005		** BUSHING - Main trunnion assembly	1	
-13	37732-000		** BRACKET - Gear switch, left	1	
-14	67753-000		** PLATE	1	
-15	401-266		** BOLT - (AN3-5A)	2	
-15a	690-609		** WASHER - (NAS1149F0332P)	2	
-15b	404-526		** NUT - (MS21042-3)	2	
-16	67037-006		* STRUT ASSEMBLY - Main gear	2	
-17	63483-000	A	** NUT - Main gear axle assembly	1	
	66820-000	B	** NUT - Main gear axle assembly	1	
-17a	424-071		** COTTER PIN - (MS24665-360)	1	
-18	67036-000		** BEARING - Main strut, upper	1	
-19	20784 000		** PIN - Main strut	2	
-20	452-448	C	** BEARING - (FF-411-4)	2	
	67026-007	D	** BEARING	2	
-21	484-799		* O-RING - (MS28775-327)	1	
-22	462-034		* O-RING - (AN6230-5)	1	
-23	484-714		* RING - Retainer (MS28782-15)	1	
-24	484-684		* RING - Snap (N5000-118MD)	1	
-25	484-685		* RING - Snap (N5000-250MD)	1	
-25a	484-828		* RING - Compression (R19047)	1	

When ordering, always specify Part Number, Description, and Serial Number of Aircraft

PIPER PARTS CATALOG

Figure and Index Number	Part Number	Code	NOMENCLATURE	No. Req.	SERIAL NUMBERS AFFECTED
39 -26	80122-089		* WASHER - Main gear	1	
-27	462-024		* GASKET - Air valve (AN901-5A)	1	
-28	80122-088		* WASHER - Main gear	1	
-29	404-843		* NUT - (MS20364-1216C)	1	
-30	-----		DELETED		
-31	455-124		* CORE - Air valve (AN809-1)	1	
-32	453-124		* BODY - Air valve (AN812-1)	1	
-33	454-053		* CAP - Air valve (AN813-1B)	1	
-34	691-316		* BOLT - (NAS6605D48) Left	1	
	691-315		* BOLT - (NAS6605D46) Right	1	
-34a	494-114		* WASHER - (96312) Left	1	
	690-628		* WASHER - (NAS1149F0563P) Right	1	
-34b	404-102		* NUT - (AN310-5)	1	
-34c	424-051		* COTTER PIN - (MS24665-132)	1	
-35	691-308		* BOLT - (NAS6604D17)	1	
-35a	690-611		* WASHER - (NAS1149F0463P)	2	
-35b	404-101		* NUT - (AN310-4)	1	
-35c	424-050		* COTTER PIN - (AN380-2-1)	1	
-36	691-315		* BOLT - (NAS6605D46)	1	
-36a	690-619		* WASHER - (NAS1149F0532P)	1	
-36b	404-102		* NUT - (AN310-5)	1	
-36c	424-051		* COTTER PIN - (MS24665-132)	1	
-37	401-329		* BOLT - (AN4-31A)	1	
-37a	690-613		* WASHER - (NAS1149F0432P)	1	
-37b	404-530		* NUT - (MS21042-4)	1	
-38	63900-115	C	BUSHING - Main gear axle	1	
	63484-000	D	BUSHING - Main gear axle	1	
-39	63900-011		BUSHING - Main gear	2	
-40	63900-103	C	BUSHING - Main gear	2	
	63900-159	D	BUSHING - Main gear	2	
-41	401-320		BOLT - (AN4-C20A)	12	
-41a	690-664		WASHER - (NAS1149C0463R)	12	
-41b	404-530		NUT - (MS21042-4)	12	
-42	63901-017		HOSE ASSEMBLY - Brake line	2	
-43	454-934		CLAMP - (A4980S-9-91)	4	
-44	67277-000		CLAMP	2	
-45	554-734		CLAMP	2	
-46	476-648		NIPPLE - (AN816-4D)	2	
-47	761-970		TIRE - (6.00 x 6, 4 ply) B.F. Goodrich	2	
	761-994		TIRE - (6.00 x 6, 4 ply) McCreary Airhawk	2	
-48	451-735		TUBE - (6.00 x 6)	2	
-49	551-701	B,C	BRAKE ASSEMBLY - Main (30-41)	2	
	551-711	B,D	BRAKE ASSEMBLY - Main (30- 55)	2	
-50	451-786	C	PLATE ASSEMBLY - Torque (75-39)	2	
-51	551-750	A,C	WHEEL ASSEMBLY - Main (40-84)	2	
	551-764	A,D	WHEEL ASSEMBLY - Main (40-86B)	2	
-52	67242-000		PLACARD - Oleo service instructions	1	

A - See Figure 40 for component parts.
 B - See Figure 41 for component parts.
 C - Used on PA-28R-180 with serial numbers 28R-30005 to 28R-7130005 inclusive, and PA-28R-200 with serial numbers 28R-35001 to 28R-7135109 inclusive.
 D - Used on PA-28R-180 with serial numbers 28R-7130006 and up, and PA-28R-200 with serial numbers 28R-7135110 and up.

When ordering, always specify Part Number, Description, and Serial Number of Aircraft

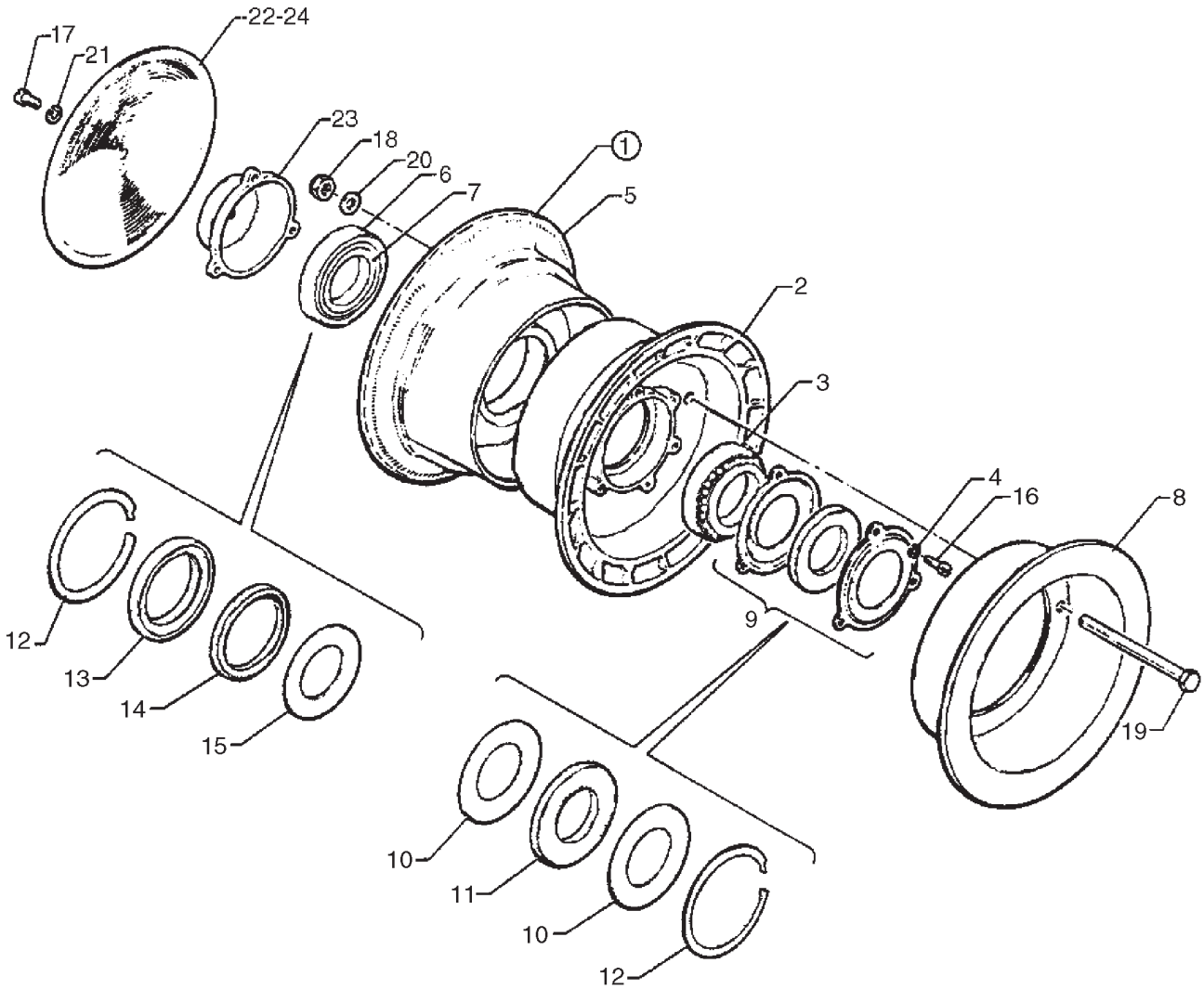


Figure 40. Main Wheel Assembly

THIS PAGE INTENTIONALLY LEFT BLANK

PIPER PARTS CATALOG

Figure and Index Number	Part Number	Code	NOMENCLATURE	No. Req.	SERIAL NUMBERS AFFECTED
40 -1	451-769	A,J	WHEEL ASSEMBLY - Main (Cleveland 40-28)	2	
	451-778	B,J	WHEEL ASSEMBLY - Main (Cleveland 40-58)	2	
	551-764	C,J	WHEEL ASSEMBLY - Main (Cleveland 40-86B)	2	
	551-750	D,J	WHEEL ASSEMBLY - Main (Cleveland 40-84)	2	
-2	753-176	E,F	* WHEEL HALF ASSEMBLY - Inner (161-16)	1	
	756-666	G,H	* WHEEL HALF ASSEMBLY - Inner (161-47)	1	
-3	751-494		* * CUP - Bearing (13836)	1	
-4	753-171	E,F	* WASHER - Lock (1308)	6	
-5	753-128	E,F	* WHEEL HALF ASSEMBLY - Outer (3041-A)	1	
	756-665	G,H	* WHEEL HALF ASSEMBLY - Outer (162-45)	1	
-6	751-494		* CUP - Bearing (13836)	1	
-7	751-489		* BEARING - Cone, Timken (13889)	2	
-8	754-518	E	* DISC ASSEMBLY - Brake (164-5)	1	
	754-530	F	* DISC ASSEMBLY - Brake (164-9)	1	
	754-535	G	* DISC ASSEMBLY - Brake (164-20)	1	
	754-545	H	* DISC ASSEMBLY - Brake (164-19)	1	
-9	752-882	E	* GREASE SEAL ASSEMBLY - (B39001)	1	
	752-882	F	* GREASE SEAL ASSEMBLY - (B39001)	2	
-10	755-999	G,H	* RING - Grease seal (153-4)	2	
-11	751-772	G,H	* FELT - Grease seal (3021)	1	
-12	752-830	G,H	* RING - Snap (3023)	2	
-13	755-999	G	* RING - Grease seal (153-4)	1	
-14	751-772	G	* FELT - Grease seal (3021)	1	
	751-810	H	* FELT - Grease seal (154-13)	1	
-15	755-999	G	* RING - Grease seal (153-4)	1	
-16	756-129	E,F	* SCREW - Grease seal (8-32 x 1/2)	6	
-17	756-128	E,F	* SCREW - Dust shield (10-24 x 1/2)	1	
-18	404-530	E,F	* NUT - Wheel bolt (MS21042-4)	3	
	404-421	G,H	* NUT - Wheel bolt (MS20145-5)	3	
-19	751-384	E,F	* BOLT - Wheel (AN4-36A)	3	
	751-405	G,H	* BOLT - Wheel (AN5-35A)	3	
			A - Used on PA-28-140 with serial numbers 28-20002 to 28-20520 inclusive, PA-28-150, PA-28-160 and PA-28-180 with serial numbers 28-1 to 28-1760 inclusive.		
			B - Used on PA-28-235 with serial numbers 28-10003 to 28-10486 inclusive.		
			C - Used on PA-28-140 with serial numbers 28-20521 and up, PA-28-150, PA-28-160 and PA-28-180 with serial numbers 28-1761 and up, PA-28-235 with serial numbers 28-10487 and up, PA-28R-180 with serial numbers 28R-7130006 and up, and PA-28R-200 with serial numbers 28R-7135110 and up.		
			D - Used on PA-28R-180 with serial numbers 28R-30005 to 28R-7130005 inclusive, and PA-28R-200 with serial numbers 28R-35001 to 28R-7135109 inclusive.		
			E - Used on 40-28 Wheel Assembly only.		
			F - Used on 40-58 Wheel Assembly only.		
			G - Used on 40-86 or 40-86B Wheel Assembly only.		
			H - Used on 40-84 Wheel Assembly only.		
			J - Before ordering, ascertain vendor part number (stamped on outer wheel half) and reorder wheel assembly of same part number.		

When ordering, always specify Part Number, Description, and Serial Number of Aircraft

PIPER PARTS CATALOG

Figure and Index Number	Part Number	Code	NOMENCLATURE	No. Req.	SERIAL NUMBERS AFFECTED
40 -20	690-611	A,B	* WASHER - Wheel bolt (NAS1149F0463P)	3	
	690-628	C,D	* WASHER - Wheel bolt (NAS1149F0563P)	3	
-21	753-178	A,B	* WASHER - Lock (#1210)	1	
-22	752-947	A,B	* SHIELD - Dust (A38550)	1	
-23	751-510	A,B	* CAP - Hub (38520A)	1	
-24	451-783	C,D	SHIELD - Dust (P-157-9)	2	
<p>A - Used on #40-28 Wheel Assembly only. B - Used on #40-58 Wheel Assembly only. C - Used on #40-86 or #40-86B Wheel Assembly only. D - Used on #40-84 Wheel Assembly only.</p>					

When ordering, always specify Part Number, Description, and Serial Number of Aircraft

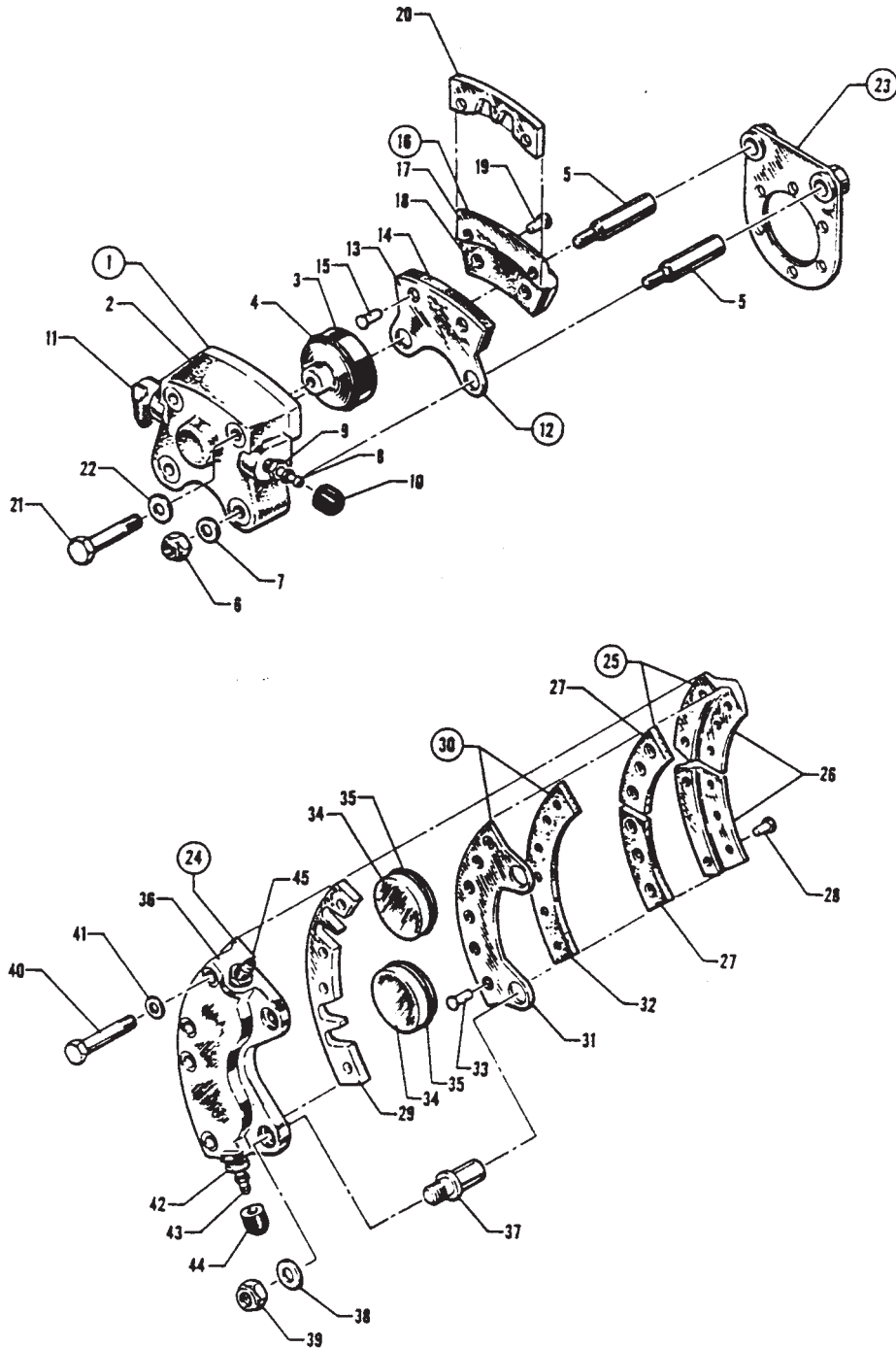


Figure 41. Brake Assembly

THIS PAGE INTENTIONALLY LEFT BLANK

PIPER PARTS CATALOG

Figure and Index Number	Part Number	Code	NOMENCLATURE	No. Req.	SERIAL NUMBERS AFFECTED
41 -1	451-718	A	BRAKE ASSEMBLY - (Cleveland 30-18)	2	
	551-703	B	BRAKE ASSEMBLY - (Cleveland 30-34)	2	
	551-711	C	BRAKE ASSEMBLY - (Cleveland 30-55)	2	
-2	753-849	E	* CYLINDER - Brake (61-6)	1	
	753-885	F	* CYLINDER - Brake (61-2)	1	
	753-920	D	* CYLINDER - Brake (61-21)	1	
-3	752-751	E	* PISTON - (3002)	1	
	755-850	F	* PISTON - (35-202)	1	
	755-887	D	* PISTON - (62-15)	1	
-4	484-711	E	* O-RING - (AN6227-23) (752-752)	1	
	755-851	F	* O-RING - (AN6227-29)	1	
	484-698	D	* O-RING - (AN6227-27)	1	
-5	751-402	E,F	* BOLT - Anchor (3013)	2	
	753-407	D	* BOLT - Anchor (69-4)	2	
-6	404-532	E,F	* NUT - Anchor bolt (MS21042-6)	2	
	404-530	D	* NUT - Anchor bolt (MS21042-4)	2	
-7	690-620	E,F	* WASHER - Anchor bolt (NAS1149F0632P)	2	
	690-613	D	* WASHER - Anchor bolt (NAS1149F0432P)	2	
-8	752-965		* SCREW - Bleeder (FC6446)	1	
-9	752-966		* SEAT - Bleeder (37-206)	1	
-10	753-850		* CAP - Bleeder (183-1)	1	
-11	476-648	E	* NIPPLE - (AN816-4D)	1	
	458-894	F	* ELBOW - (AN822-4D)	1	
-12	755-815	E	* PLATE ASSEMBLY - Pressure (73-3)	1	
	755-852	F	* PLATE ASSEMBLY - Pressure (73-1)	1	
	755-883	D	* PLATE ASSEMBLY - Pressure (73-11)	1	
-13	755-816	E	** PLATE - Pressure (63-5)	1	
	755-853	F	** PLATE - Pressure (35-203)	1	
	755-884	D	** PLATE - Pressure (63-12)	1	
-14	752-308	E	** LINING - (3006)	1	
	752-338	F	** LINING - (35-204)	1	
	752-342	D	** LINING - (66-105)	1	
-15	752-826	E,F	** RIVET - (561)	3	
	752-826	D	** RIVET - (561)	2	
-16	752-768	E	* PLATE ASSEMBLY - Back (74-2)	1	
	755-854	F	* PLATE ASSEMBLY - Back (74-1)	1	
	755-885	D	* PLATE ASSEMBLY - Back (74-10)	1	
-17	752-749	E	* PLATE - Back (3012)	1	
	755-855	F	* PLATE - Back (64-3)	1	
	755-886	D	* PLATE - Back (64-15)	1	

A - Used on PA-28-140 with serial numbers 28-20002 to 28-20520 inclusive, PA-28-150, PA-28-160 and PA-28-180 with serial number 28-1 to 28-1760 inclusive.
 B - Used on PA-28-235 with serial numbers 28-10003 to 28-10486 inclusive.
 C - Used on PA-28-140 with serial numbers 28-20521 and up, PA-28-150, PA-28-160 and PA-28-180 with serial number 28-1761 and up, PA-28-235 with serial numbers 28-10487 and up, PA-28R-180 with serial numbers 28R-7130006 and up, and PA-28R-200 with serial numbers 28R-7135110 and up.
 D - Used with 30-55 Brake Assembly only.
 E - Used with 30-18 Brake Assembly only.
 F - Used with 30-34 Brake Assembly only.

When ordering, always specify Part Number, Description, and Serial Number of Aircraft

PIPER PARTS CATALOG

Figure and Index Number	Part Number	Code	NOMENCLATURE	No. Req.	SERIAL NUMBERS AFFECTED
41 -18	752-308	E	** LINING - (3006)	1	
	752-338	A	** LINING - (35-204)	1	
	752-342	B	** LINING - (66-105)	1	
-19	752-826	A,E	** RIVET - (561)	3	
	752-826	B	** RIVET - (561)	2	
-20	756-127	E	SHIM - (68-4)	1	
-21	751-450	E	BOLT - Through (AN41-1-15A)	2	
	753-379	A	BOLT - Through (AN41-1-14A)	2	
	753-408	B	BOLT - Through (LP4-17AM)	2	
-22	690-613	B,E	WASHER - Through bolt (NAS1149F0432P)	2	
	690-619	A	WASHER - Through bolt (NAS1149F0532P)	2	
-23	755-818	B,E	TORQUE PLATE ASSEMBLY - (75-16)	1	
	755-856	A	TORQUE PLATE ASSEMBLY - (75-20)	1	
-24	551-701	D	BRAKE ASSEMBLY - Cleveland (30-41)	2	
-25	752-768	C	PLATE ASSEMBLY - Back (74-2)	2	
-26	752-749	C	** PLATE - Back (3012)	1	
-27	752-308	C	** LINING - Back plate (3006)	1	
-28	752-826	C	** RIVET - Brake lining (561)	3	
-29	752-953	C	SPACER - Back plate (3003D)	1	
-30	755-829	C	PLATE ASSEMBLY - Pressure (73-4)	1	
-31	755-830	C	** PLATE - Pressure (63-6)	1	
-32	752-309	C	** LINING - Pressure (3007)	1	
-33	752-826	C	** RIVET - Brake lining (561)	6	
-34	752-751	C	PISTON CYLINDER - (3002)	2	
-35	484-711	C	O-RING - (AN6227-23) (752-752)	2	
-36	753-867	C	CYLINDER - Brake- (61-7)	1	
-37	751-402	C	BOLT - Anchor (3013)	2	
-38	690-620	C	WASHER - Anchor bolt (NAS1149F0632P)	2	
-39	404-532	C	NUT - Anchor bolt (MS21042-6)	2	
-40	751-450	C	BOLT - Through (AN4H-15A)	4	
-41	690-613	C	WASHER - (NAS1149F0432P)	4	
-42	752-966	C	SEAT - Bleeder (37-206)	1	
-43	752-965	C	SCREW - Bleeder (FC6446)	1	
-44	753-850	C	CAP - Bleeder (183-1)	1	
-45	476-648	C	NIPPLE - (AN816-4D)	1	
			A - Used with 30 34 Brake Assembly only.		
			B - Used with 30 55 Brake Assembly only.		
			C - Used with 30-41 Brake Assembly only.		
			D - Used on PA-28R-180 with serial numbers 28R-30005 to 28R-7130005 inclusive and PA-28R-200 with serial numbers 28R-35001 to 28R-7135109 inclusive.		
			E - Used with 30-18 Brake Assembly only.		

When ordering, always specify Part Number, Description, and Serial Number of Aircraft

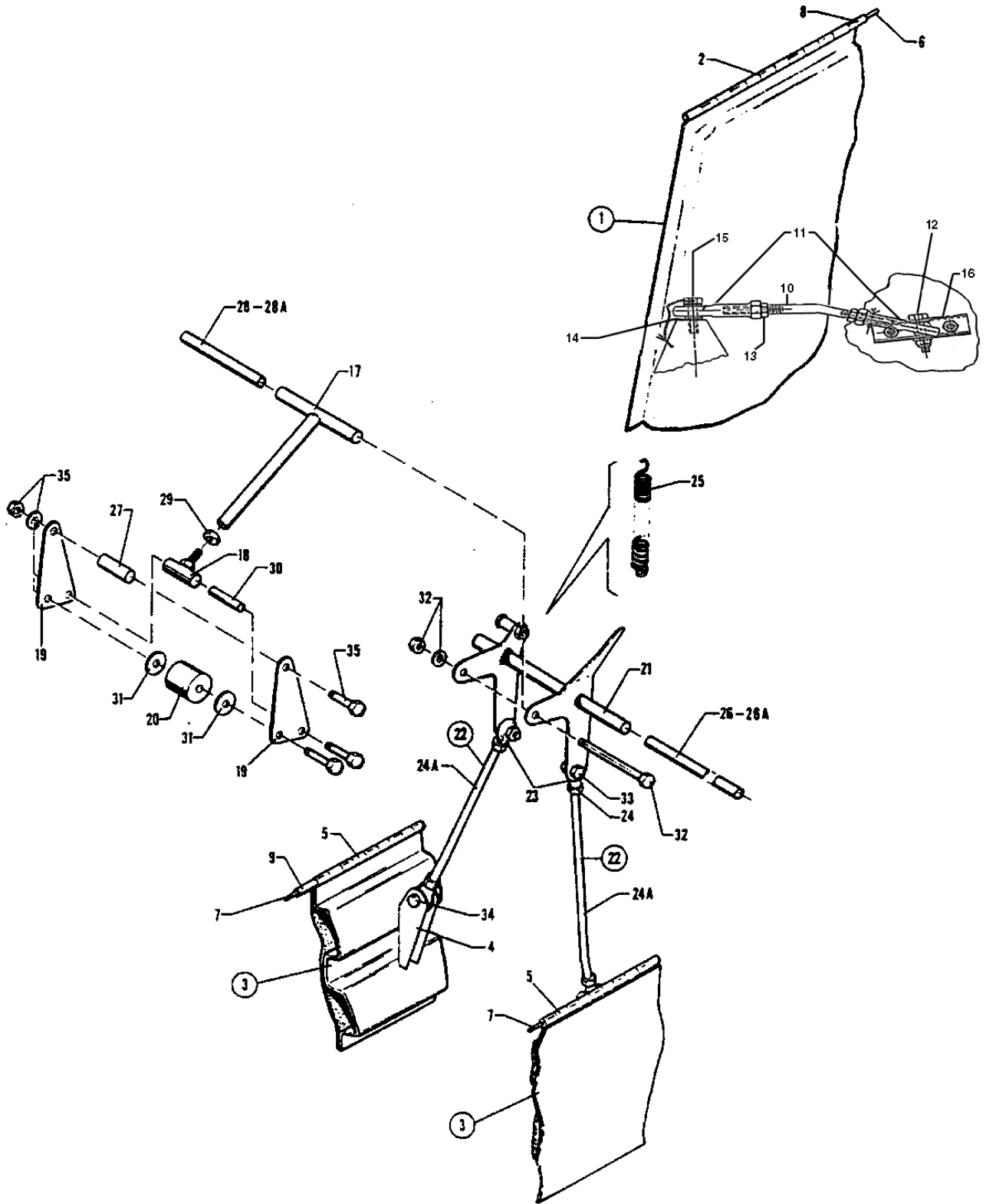


Figure 42. Landing Gear Door Installation

THIS PAGE INTENTIONALLY LEFT BLANK

PIPER PARTS CATALOG

Figure and Index Number	Part Number	Code	NOMENCLATURE	No. Req.	SERIAL NUMBERS AFFECTED
42-	67356 67015 67349		DRAWING - Nose Gear Door Retraction Installation DRAWING - Wing Assembly (Complete) DRAWING - Cowl Assembly (Complete)		
-1	67090-000 67090-010 67090-001 67090-011	A B A B	DOOR ASSEMBLY - Main gear, left DOOR ASSEMBLY - Main gear, left DOOR ASSEMBLY - Main gear, right DOOR ASSEMBLY - Main gear, right	1 1 1 1	
-2	67093-004 67093-005		* HINGE HALF - Main gear door, left * HINGE HALF - Main gear door, right	1 1	
-3	67352-000 67352-001		DOOR ASSEMBLY - Nose gear, left DOOR ASSEMBLY - Nose gear, right	1 1	
-4	67364-000		* BRACKET - Nose gear door	1	
-5	67355-000 67355-001		* HINGE HALF - Nose gear, door, left * HINGE HALF - Nose gear, door, right	1 1	
-6	63744-011		PIN - Hinge, main gear door	2	
-7	63744-012		PIN - Hinge, Nose gear door	2	
-8	63882-026		SLEEVE - Main gear door hinge	2	
-9	63882-027		SLEEVE - Nose gear door hinge	2	
-10	67092-000		ROD ASSEMBLY - Main gear door	2	
-11	452-335		* BEARING - Rod end	2	
-12	403-055 690-609 690-617 404-526		* BOLT - (AN3C10A) * WASHER - (AN960-10L) * WASHER - (AN960-10) * NUT - (MS21042-3)	2 2 4 2	
-13	404-321		* NUT - (AN316C4R)	2	
-14	690-617 690-614		* WASHER - (1149C0363R) * WASHER - (1149C0332R)	2 2	
-15	400-868 407-674 404-526		* BOLT - (AN23-15A) * WASHER - (AN960-C10) * NUT - (MS20365-1032C)	2 4 2	
-16	67091-000		BRACKET - Main gear door	2	
-17	67357-000		LINK ASSEMBLY - Nose gear door	1	
-18	67358-040		LINK ASSEMBLY - Nose gear door	1	
-19	67359-000		PLATE - Nose gear door link	2	
-20	67360-000		ROLLER - Nose gear door link	1	
-21	67361-000		BELLCRANK ASSEMBLY - Nose gear door	1	
-22	67362-000		ROD ASSEMBLY - Nose gear door	2	
-23	452-335		* BEARING - Rod end (F34-14)	2	
-24	404-321		* NUT - (AN316C4R)	2	
-24a	67362-002		* ROD - Rod assembly	1	
-25	67363-000		SPRING - Nose gear door	1	
-26	67356-200		SLEEVE AND BUSHING ASSEMBLY - Nose gear door actuating	1	
-26a	63882-028		SLEEVE - Teflon	1	
-27	63882-029		SLEEVE - Teflon nose gear door actuating	2	
-28	67356-201		SLEEVE AND BUSHING ASSEMBLY - Nose gear door actuating	1	
-28a	63882-030		SLEEVE - Teflon	1	
-29	404-321		NUT - (AN316C-4R)	1	
-30	65003-027		BUSHING - Nose door actuating	3	
-31	690-664		WASHER - (NAS1149C0463R)	2	

A - Used on PA-28R-180 airplanes only.
B - Used on PA-28R-200 airplanes only.

When ordering, always specify Part Number, Description, and Serial Number of Aircraft

PIPER PARTS CATALOG

Figure and Index Number	Part Number	Code	NOMENCLATURE	No. Req.	SERIAL NUMBERS AFFECTED
42 -32	401-286		BOLT - (AN3C-30A)	1	
	690-614		WASHER - (NAS1149C0332R)	1	
	404-526		NUT - (MS21042-3)	1	
-33	403-054		BOLT - (AN3C-7A)	2	
	690-617		WASHER - (NAS1149C0363R)	4	
	404-526		NUT - (MS21042-3)	2	
-34	403-055		BOLT - (AN3C-10A)	2	
	690-617		WASHER - (NAS1149C0363R)	6	
	404-526		NUT - (MS21042-3)	2	
-35	401-275		BOLT - (AN3C-14A)	3	
	690-614		WASHER - (NAS1149C0332R)	3	
	404-526		NUT - (MS21042-3)	3	
-37	62833-103		WASHER	2	

When ordering, always specify Part Number, Description, and Serial Number of Aircraft

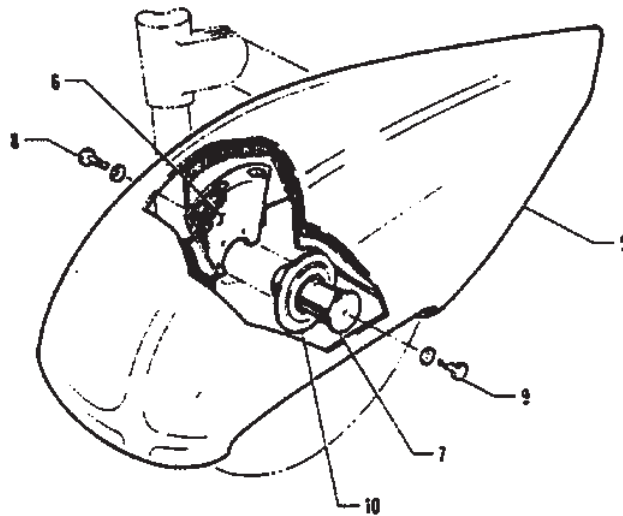
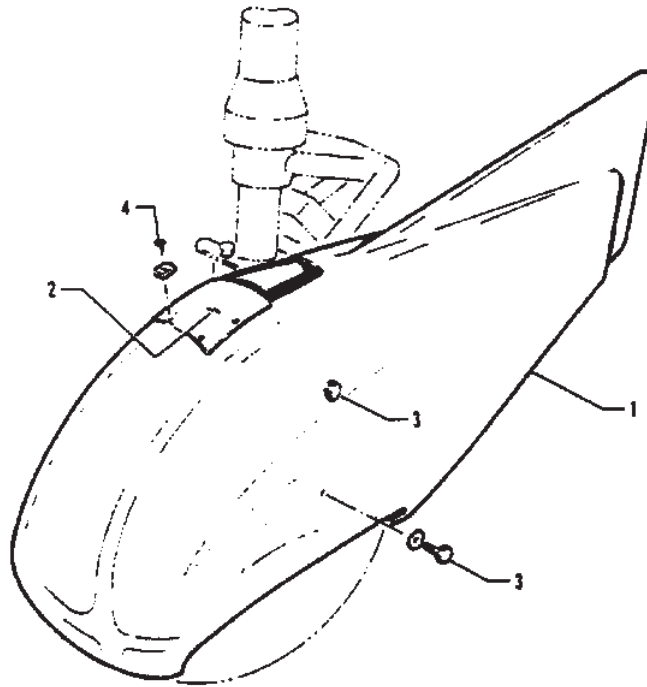


Figure 43. Main and Nose Wheel Fairing Installation
(PA-28-140 - Serial Nos. 28-20002 and up)
(PA-28-150-160-180 - Serial Nos. 28-1 and up)
(PA-28-235 - Serial Nos. 28-10003 and up)

PA-28-140
PA-28-150
PA-28-160
PA-28-180
PA-28-235

THIS PAGE INTENTIONALLY LEFT BLANK

PIPER PARTS CATALOG

Figure and Index Number	Part Number	Code	NOMENCLATURE	No. Req.	SERIAL NUMBERS AFFECTED
43-	63379 65348 76417 63376 65237	B G	DRAWING - Nose Wheel Fairing Installation DRAWING - Nose Wheel Fairing Installation DRAWING - Nose Wheel Fairing Installation DRAWING - Main Wheel Fairing Installation DRAWING - Main Wheel Fairing Installation		28-1 to 28-1529 inclusive 28-7410001 and up 28-1 to 28-1529 inclusive 28-1530 and up
-1	63377-000 65331-000 65331-006 76415-000	E F G	FAIRING ASSEMBLY - Nose wheel FAIRING ASSEMBLY - Nose wheel FAIRING ASSEMBLY - Nose wheel FAIRING ASSEMBLY - Nose wheel	1 1 1 1	28-1 to 28-1529 inclusive
-2	63380-000 65332-000 79245-000 65332-002	E F G	COVER - Nose wheel fairing COVER - Nose wheel fairing COVER - Nose wheel fairing COVER - Nose wheel fairing	1 1 1 1	28-1 to 28-1529 inclusive
-3	401-310 407-801		BOLT - (AN4-10A) WASHER - (AN970-4)	4 4	
-4	419-920 415-449 406-387 477-674		SCREW - Type "B" truss head 8 x 1/2 L SCREW - (AN526-832R8) NUT - Tinnerman (A9031-8A-1) NUT - (MU-832-.45-.05 x .075-L-10)	4 4 4 4	28-1 to 28-1529 inclusive 28-1530 and up 28-1 to 28-1529 inclusive 28-1530 and up
-5	63374-000 63374-001 65203-000 65203-001 65203-002 65203-003	C C D D	FAIRING ASSEMBLY - Main wheel, left FAIRING ASSEMBLY - Main wheel, right FAIRING ASSEMBLY - Main wheel, left FAIRING ASSEMBLY - Main wheel, right FAIRING ASSEMBLY - Main wheel, left FAIRING ASSEMBLY - Main wheel, right	1 1 1 1 1 1	28-1 to 28-1529 inclusive 28-1 to 28-1529 inclusive
<p>A - Used on PA-28-140 with serial numbers 28-20002 and up, PA-28-150, PA-28-160 and PA-28-180 with serial numbers 28-1 and up, and PA-28-235 with serial numbers 28-10003 and up.</p> <p>B - Used on PA-28-150, PA-28-160 and PA-28-180 with serial numbers 28-1530 and up, PA-28-140 with serial numbers 28-20002 and up, and PA-28-235 with serial numbers 28-10003 to 28-7310187 inclusive.</p> <p>C - Used on PA-28-140 with serial numbers 28-20002 to 28-7125063 inclusive, PA-28-150, PA-28-160 and PA-28-180 with serial numbers 28-1530 to 28-7105068 inclusive, and PA-28-235 with serial numbers 28-10003 to 28-7110002 inclusive.</p> <p>D - Used on PA-28-140 with serial numbers 28-7125064 and up, PA-28-180 with serial numbers 28-7105069 and up, and PA-28-235 with serial numbers 28-71 10003 and up.</p> <p>E - Used on PA-28-150, PA-28-160 and PA-28-180 with serial numbers 28-1530 to 28-7305611 inclusive, PA-28-140 with serial numbers 28-20002 to 28-7325684 inclusive, and PA-28-235 with serial numbers 28-10003 to 28-7310187 inclusive.</p> <p>F - Used on PA-28-140 with serial numbers 28-7425001 and up, and PA-28-180 with serial numbers 28-7405001 and up.</p> <p>G - Used on PA-28-235 airplanes only.</p>					

When ordering, always specify Part Number, Description, and Serial Number of Aircraft

PA-28-140
PA-28-150
PA-28-160
PA-28-180
PA-28-235

PIPER PARTS CATALOG

Figure and Index Number	Part Number	Code	NOMENCLATURE	No. Req.	SERIAL NUMBERS AFFECTED
43 -6	63370-004		BRACKET ASSEMBLY - Wheel fairing, left	1	28-1 to 28-1529 inclusive
	63370-005		BRACKET ASSEMBLY - Wheel fairing, right	1	28-1 to 28-1529 inclusive
	63370-005		BRACKET ASSEMBLY - Wheel fairing, left	1	28-1530 and up
	63370-004		BRACKET ASSEMBLY - Wheel fairing, right	1	28-1530 and up
-7	63373-000		SUPPORT ASSEMBLY - Wheel fairing, main (3.50" long) (plug-in type)	2	
	66821-004		SUPPORT ASSEMBLY - Wheel fairing, main (1.50" long) (screw-on type)	2	
-8	400-003		BOLT - (AN4-6A)	6	
	407-801		WASHER - (AN970-4)	6	
-9	400-003		BOLT - (AN4-6A)	2	
	407-801		WASHER - (AN970-4)	2	
-10	752-882		GREASE SEAL ASSEMBLY	2	
<p>A - Used on PA-28-140 with serial numbers 28-20002 and up, PA-28-150, PA-28-160 and PA-28-180 with serial numbers 28-1 and up, and PA-28-235 with serial numbers 28-10003 and up.</p>					

PA-28-140
PA-28-150
PA-28-160
PA-28-180
PA-28-235

When ordering, always specify Part Number, Description, and Serial Number of Aircraft

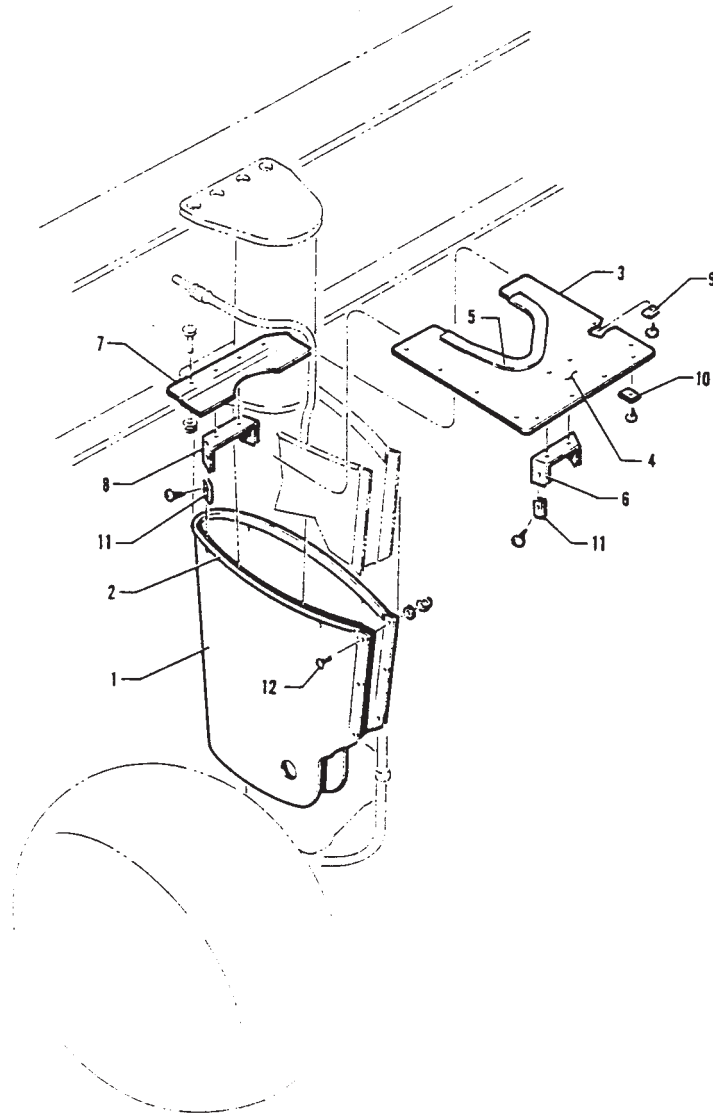


Figure 44. Main Landing Gear Strut Fairing Installation

PA-28-140
PA-28-150
PA-28-160
PA-28-180
PA-28-235

THIS PAGE INTENTIONALLY LEFT BLANK

PIPER PARTS CATALOG

Figure and Index Number	Part Number	Code	NOMENCLATURE	No. Req.	SERIAL NUMBERS AFFECTED
44-	63343 65693	A B	DRAWING - Strut Fairing Installation, Main Landing Gear DRAWING - Strut Fairing Installation, Main Landing Gear		
-1	63338-000		FAIRING ASSEMBLY - Main gear	2	
-2	63186-004		* MOLDING - Extruded	1	
-3	63339-000	A	PLATE ASSEMBLY - Fairing, left	1	
	63339-001	A	PLATE ASSEMBLY - Fairing, right	1	
	65688-000	B	PLATE ASSEMBLY - Fairing, left	1	
	65688-001	B	PLATE ASSEMBLY - Fairing, right	1	
-4	63339-002	A	* PLATE - Fairing	2	
	65688-002	B	* PLATE - Fairing, left	1	
	65688-003	B	* PLATE - Fairing, right	1	
-5	63186-033		* MOLDING - Extruded	1	
-6	63341-000		* CLIP - Fairing	2	
-7	63340-000	A	PLATE - Fairing, left	1	
	63340-001	A	PLATE - Fairing, right	1	
-8	63342-000		CLIP - Fairing	2	
-9	419-920		SCREW - (8 x 1/2)	2	
	415-449	B	SCREW - (AN526-832R8)	2	
	406-387	A	NUT - (A9031-8A-1)	2	
-10	419-920	A	SCREW - (8 x 1/2)	8	
	415-449	B	SCREW - (AN526-832R8)	8	
	603-350	A	NUT - (C1348-8Z)	8	
-11	419-920		SCREW - (8 x 1/2)	4	
	603-350		NUT - (C1348-8Z)	4	
-12	415-171		SCREW - (AN526C-632-5)	3	
	690-640		WASHER - (NAS1149FN632P)	3	
	404-528		NUT - (MS21042-06)	3	
			A - Used on PA-28-140 with serial numbers 28-20002 to 28-21594 inclusive, PA-28-150, PA-28-160 and PA-28-180 with serial numbers 28-1 to 28-3177 inclusive, and PA-28-235 with serial numbers 28-10003 to 28- 10719 inclusive.		
			B - Used on PA-28-140 with serial numbers 28-21595 and up, PA-28-150, PA-28-160 and PA-28-180 with serial numbers 28-3178 and up, and PA-28-235 with serial numbers 28-10720 and up.		

When ordering, always specify Part Number, Description, and Serial Number of Aircraft

PA-28-140
PA-28-150
PA-28-160
PA-28-180
PA-28-235

THIS PAGE INTENTIONALLY LEFT BLANK

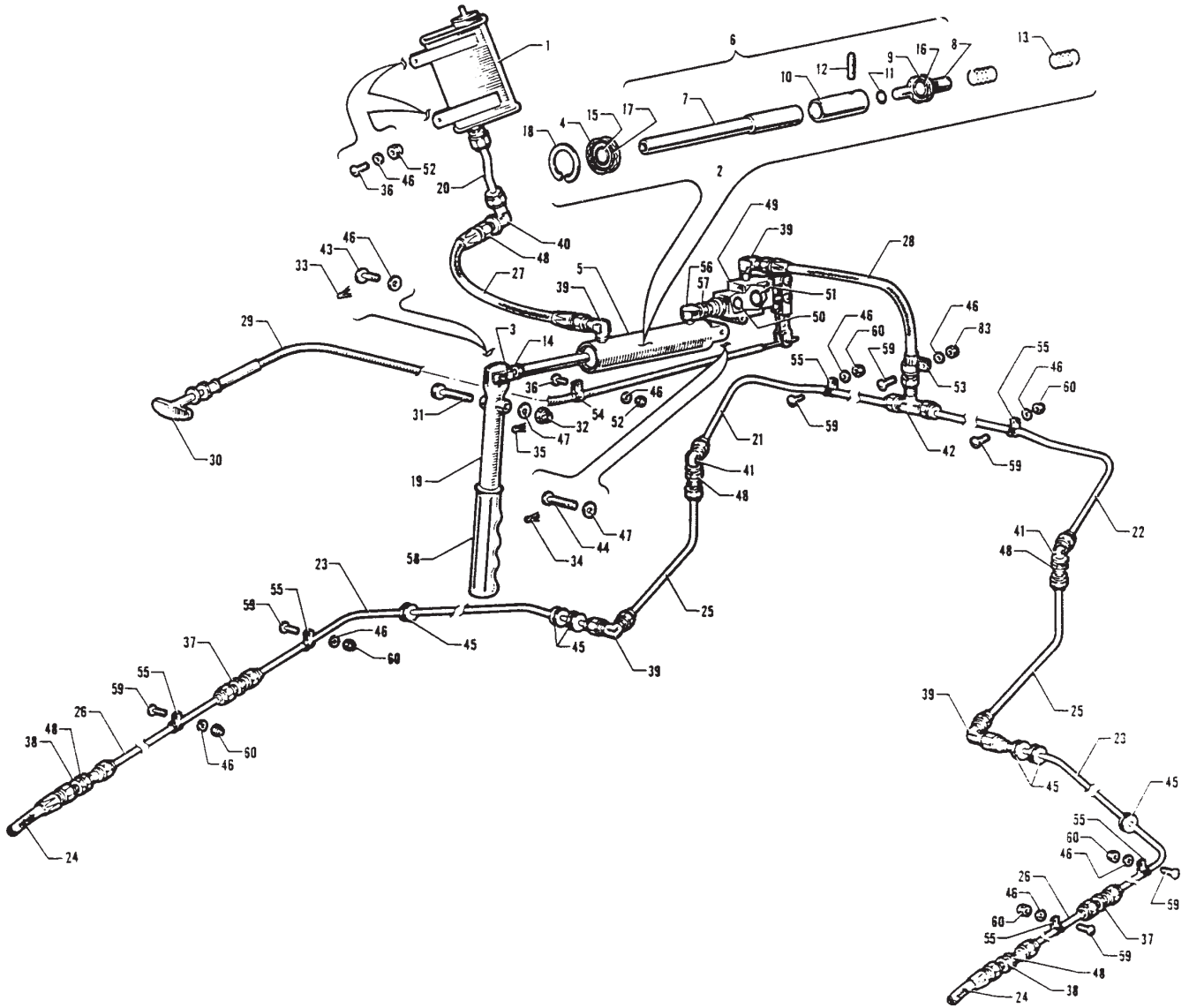


Figure 45. Hand Brake Installation
(Serial Nos. 28-1 to 28-250 inclusive)

THIS PAGE INTENTIONALLY LEFT BLANK

PIPER PARTS CATALOG

Figure and Index Number	Part Number	Code	NOMENCLATURE	No. Req.	SERIAL NUMBERS AFFECTED
45-	63326		DRAWING - Brake Installation		
-1	18290-000		RESERVOIR ASSEMBLY - Brake cylinder	1	
-2	21030-000		CYLINDER ASSEMBLY - Brake master	1	
-3	12605-000		CLEVIS	1	
-4	19011-000		CAP - Brake cylinder	1	
-5	21008-000		CYLINDER - Brake	1	
-6	21029-000		PLUNGER ASSEMBLY - Brake cylinder	1	
-7	12599-003		ROD - Brake cylinder plunger	1	
-8	15152-000		PIN	1	
-9	14153-000		PISTON HEAD	1	
-10	21028-000		BUSHING	1	
-11	484-700		PACKING - O-Ring (AN6227-5)	1	
-12	480-698		ROLL PIN - (59-012-062-0625)	1	
-13	21051-000		SPRING - Brake cylinder	1	
-14	404-322		NUT - (AN316-4R)	1	
-15	484-701		PACKING - O-Ring (AN6227-7)	1	
-16	484-706		PACKING - O-Ring (AN6227-11)	1	
-17	484-702		PACKING - O-Ring (AN6227-16)	1	
-18	484-721		RING - Retainer (5000-106)	1	
-19	63320-000		HANDLE - Brake	1	
-20	63321-000		LINE ASSEMBLY - Brake, reservoir outlet	1	
-21	63322-000		LINE ASSEMBLY - Brake, left side, upper	1	
-22	63322-001		LINE ASSEMBLY - Brake, right side, upper	1	
-23	63323-000		LINE ASSEMBLY - Brake	2	
-24	63901-163		HOSE - Lower brake	2	
-25	63324-000		LINE ASSEMBLY - Brake, left and right	2	
-26	63325-000		LINE ASSEMBLY - Brake, left and right	2	
-27	63901-003		HOSE ASSEMBLY - Flexible, reservoir to master cylinder	1	
-28	63901-004		HOSE ASSEMBLY - Flexible, brake valve to tee	1	
-29	63902-002		CONTROL - Parking brake	1	
-30	471-080		* HANDLE - Tee	1	
-31	400-113		BOLT - (AN4-20)	1	
-32	404-101		NUT - (AN310-4)	1	
-33	424-040		COTTER PIN - (AN380-1-1)	1	
-34	424-041		COTTER PIN - (AN380-1-2)	1	
-35	424-051		COTTER PIN - (AN380-2-2)	1	
-36	416-995		SCREW - (AN526-1032R-8)	2	
-37	491-050		UNION - (AN815-4D)	2	
-38	491-060		UNION - (AN832-4D)	2	
-39	458-880		ELBOW - (AN821-4D)	4	
-40	458-934		ELBOW - (AN833-4)	1	
-41	458-910		ELBOW - (AS1040D0404)	2	
-42	488-320		TEE - (AN824-4D)	1	
-43	424-176		PIN - (MIS20392-2-15)	1	
-44	424-195		PIN - (MS20392-3-53)	1	
-45	434-151		GROMMET - (AN931-55-12)	4	

When ordering, always specify Part Number, Description, and Serial Number of Aircraft

PIPER PARTS CATALOG

Figure and Index Number	Part Number	Code	NOMENCLATURE	No. Req.	SERIAL NUMBERS AFFECTED
45 -46	690-609		WASHER - (NAS1149F0332P)	13	
-47	690-613		WASHER - (NAS1149F0432P)	4	
-48	477-618		NUT - (AN924-4D)	5	
-49	492-061		VALVE - Hydraulic (#A77B)	1	
-50	757-268		* PACKING - O-Ring (AN6227-1)	2	
-51	484-700		* PACKING - O-Ring (AN6227-5)	1	
-52	406-796		NUT - Flexloc (22FT-1032)	3	
-53	454-854		CLAMP - (#A4886S-11-1)	1	
-54	454-887		CLAMP - (#A4886S-3-1)	1	
-55	454-929		CLAMP - (#A4980S-4-91)	6	
-56	458-904		ELBOW - (AN914-1D)	1	
-57	476-643		NIPPLE - (AN911-1D)	1	
-58	463-380		GRIP - Black, parking brake	1	
-59	417-775		SCREW - (AN520-10R8)	6	
-60	404-526		NUT - (MS21042-3)	1	

When ordering, always specify Part Number, Description, and Serial Number of Aircraft

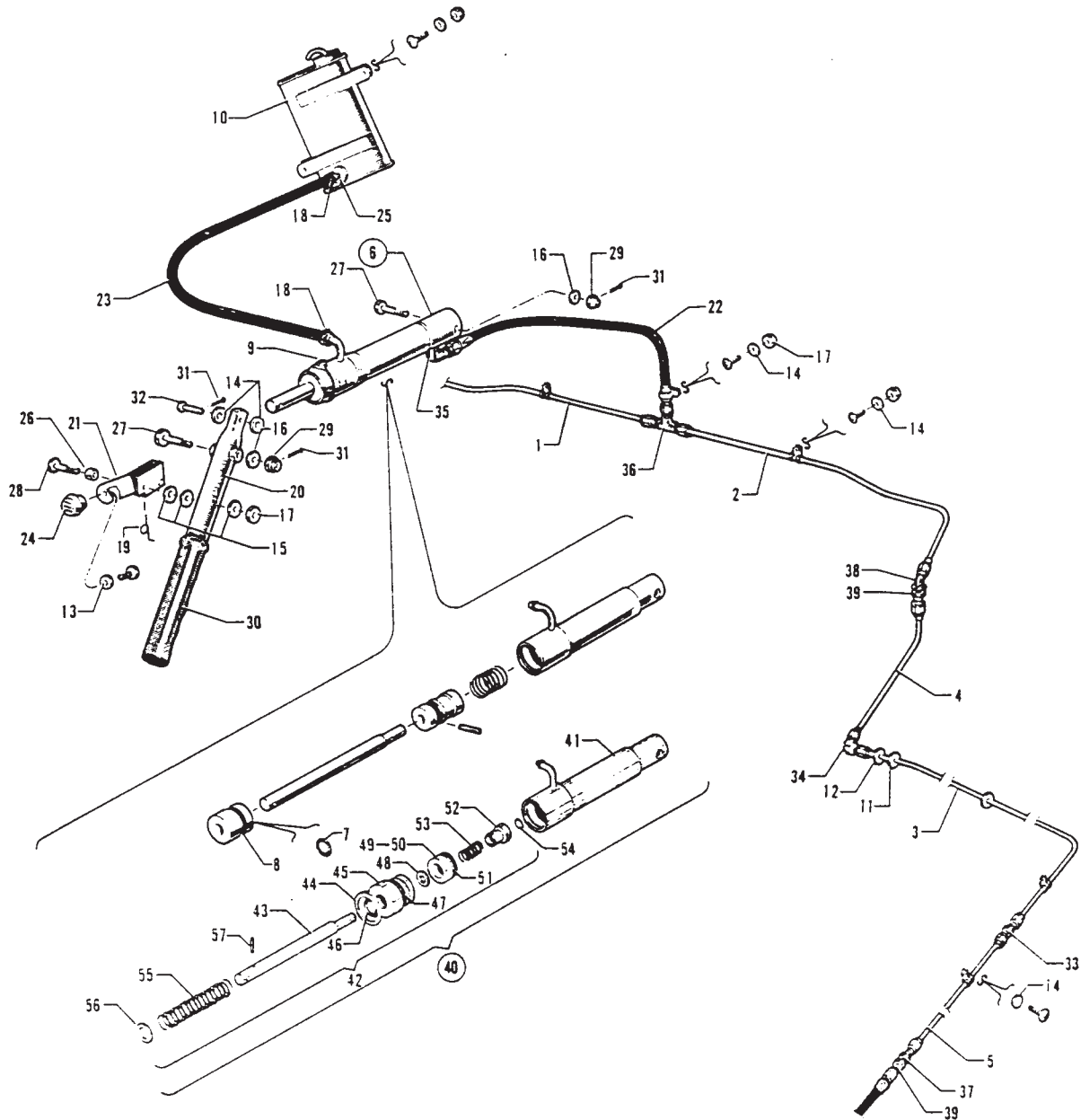


Figure 46. Hand Brake Installation
 (PA-28-140 - Serial Nos. 28-20002 and up)
 (PA-28-150-160-180 - Serial Nos. 28-251 and up)
 (PA-28-235 - Serial Nos. 28-10003 and up)

PA-28-140
 PA-28-150
 PA-28-160
 PA-28-180
 PA-28-235

THIS PAGE INTENTIONALLY LEFT BLANK

PIPER PARTS CATALOG

Figure and Index Number	Part Number	Code	NOMENCLATURE	No. Req.	SERIAL NUMBERS AFFECTED
46-	63359 65268 65842	H B J	DRAWING - Brake Installation DRAWING - Brake Installation DRAWING - Brake Installation		
-1	63322-000 63489-000	C D,E	LINE ASSEMBLY - Left LINE ASSEMBLY - Left	1 1	
-2	63322-001 63466-000	C D	LINE ASSEMBLY - Right LINE ASSEMBLY - Right	1 1	
-3	63323-000 68467-000	F G	LINE ASSEMBLY LINE ASSEMBLY	2 2	
<p>A - Used on PA-28-140 with serial numbers 28-20002 and up, PA-28-150, PA-28-160 and PA-28-180 with serial numbers 28-251 and up, and PA-28-235 with serial numbers 28-10003 and up.</p> <p>B - Used on PA-28-150, PA-28-160 and PA-28-180 with serial numbers 28-1761 to 28-4377 inclusive, and PA-28-235 with serial numbers 28-10003 to 28-11039 inclusive.</p> <p>C - Used on PA-28-150, PA- 28-160 and PA-28-180 with serial numbers 28-251 to 28-1760 inclusive, PA-28-235 with serial numbers 28-10003 to 28-10486 inclusive, and PA-28-140 with serial numbers 28-20002 to 28-20520 inclusive.</p> <p>D - Used on PA-28-150, PA-28-160 and PA-28-180 with serial numbers 28-1761 and up, PA-28-235 with serial numbers 28-10487 to 28-11039 inclusive, and PA-28-140 with serial numbers 28-20521 and up.</p> <p>E - See Figure 48 if toe brakes are installed.</p> <p>F - Used on PA-28-150, PA-28-160 and PA-28-180 with serial numbers 28-251 to 28-2477 inclusive, PA-28-235 with serial numbers 28-10003 to 28-10675 inclusive, and PA-28-140 with serial numbers 28-20002 to 28-24999 inclusive.</p> <p>G - Used on PA-28-150, PA-28-160 and PA-28-180 with serial numbers 28-2478 and up, PA-28-235 with serial numbers 28-10676 and up, and PA-28-140 with serial numbers 28-25000 and up.</p> <p>H - Used on PA-28-150, PA-28-160 and PA-28-180 with serial numbers 28-251 to 28-1760 inclusive, and PA-28-140 with serial numbers 28-20002 to 28-24999 inclusive.</p> <p>J - Used on PA-28-180 with serial numbers 28-4378 and up, PA-28-235 with serial numbers 28-11040 and up, and PA-28-140 with serial numbers 28-25000 and up.</p>					

When ordering, always specify Part Number, Description, and Serial Number of Aircraft

PA-28-140
PA-28-150
PA-28-160
PA-28-180
PA-28-235

PIPER PARTS CATALOG

Figure and Index Number	Part Number	Code	NOMENCLATURE	No. Req.	SERIAL NUMBERS AFFECTED
46 -4	63324-000	D	LINE ASSEMBLY	2	
	63324-004	H	LINE ASSEMBLY	2	
	67700-058	E	LINE ASSEMBLY	2	
-5	63325-000		LINE ASSEMBLY	2	
-6	63353-000	C,F	ACTUATOR ASSEMBLY - Brake cylinder	1	
-7	484-701	C	* PACKING - Hydraulic (AN6227-7)	1	
-8	484-706	C	* PACKING - Hydraulic (AN6227-11)	1	
-9	416-087	C	* SCREW - (AN500A-6-3)	1	
-10	63355-006	G	RESERVOIR ASSEMBLY - Brake cylinder	1	
	63355-009	B	RESERVOIR ASSEMBLY - Brake cylinder	1	
-11	434-132		GROMMET - (AN931-11-16)	2	
-12	434-131		GROMMET - (MS35489-10)	4	
-13	407-124		LOCK WASHER - (AN935-10L)	1	
-14	690-609		WASHER - (NAS1149F0332P)	11	
-15	690-612		WASHER - (NAS1149F0363P)	3	
-16	690-611		WASHER - (NAS1149F0463P)	2	
-17	404-526		NUT - (MS21042-3)	4	
-18	554-575		CLAMP - Hose	2	
<p>A - Used on PA-28-140 with serial numbers 28-20002 and up, PA-28-150, PA-28-160 and PA-28-180 with serial numbers 28-251 and up, and PA-28-235 with serial numbers 28-10003 and up.</p> <p>B - Used on PA-28-150, PA-28-160 and PA-28-180 with serial numbers 28-1761 and up, PA-28-235 with serial numbers 28-10003 and up, and PA-28-140 with serial numbers 28-25000 and up.</p> <p>C - Used on PA-28-140 with serial numbers 28-20002 to 28-21036 inclusive, PA-28-150, PA-28-160 and PA-28-180 with serial numbers 28-251 to 28-2700 inclusive, and PA-28-235 with serial numbers 28-10003 to 28-10697 inclusive.</p> <p>D - Used on PA-28-150, PA-28-160 and PA-28-180 with serial numbers 28-251 to 28-2477 inclusive, PA-28-235 with serial numbers 28-10003 to 28-10675 inclusive, and PA-28-140 with serial numbers 28-20002 to 28-24999 inclusive.</p> <p>E - Used on PA-28-180 with serial numbers 28-7305001 and up, and PA-28-235 with serial numbers 28-7310001 and up.</p> <p>F - Order P/N 455-938 if complete Actuator Assembly is required.</p> <p>G - Used on PA-28-150, PA-28-160 and PA-28-180 with serial numbers 28-251 to 28-1760 inclusive, and PA-28-140 with serial numbers 28-20002 to 28-24999 inclusive.</p> <p>H - Used on PA-28-150, PA-28-160 and PA-28-180 with serial numbers 28-2478 to 28-7205328 inclusive, PA-28-235 with serial numbers 28-10676 to 28-7210033 inclusive, and PA-28-140 with serial numbers 28-25000 and up.</p>					

PA-28-140
PA-28-150
PA-28-160
PA-28-180
PA-28-235

When ordering, always specify Part Number, Description, and Serial Number of Aircraft

PIPER PARTS CATALOG

Figure and Index Number	Part Number	Code	NOMENCLATURE	No. Req.	SERIAL NUMBERS AFFECTED
46 -19	63356-000		SPRING - Brake handle	1	
-20	63357-000		HANDLE ASSEMBLY - Brake	1	
-21	63358-000	B	LATCH ASSEMBLY - Brake handle	1	
	67135-003	E	LATCH ASSEMBLY - Brake handle	1	
-22	63901-009		HOSE ASSEMBLY - Flexible	1	
-23	63913-010		HOSE - Flexible	1	
-24	63914-007		KNOB ASSEMBLY - Parking brake	1	
-25	63915-006		DISC - Firewall seal	1	
-26	63900-131		BUSHING	1	
-27	400-113		BOLT - (AN4-20)	2	
-28	400-686		BOLT - (AN23-23A)	1	
-29	404-101		NUT - (AN310-4)	2	
-30	463-380		GRIP - Brake handle	1	
-31	424-051		PIN - (AN380-2-2)	2	
-32	424-178		PIN - (AN393-19)	1	
-33	491-050		UNION - (AN815-4D)	2	
-34	458-881		ELBOW - (AN821-4D)	2	
-35	458-894		ELBOW - (AN822-4D)	2	
-36	488-320		TEE - (AN824-4D)	1	
-37	491-060	C	UNION - (AN832-4D)	2	
	458-910	D	ELBOW - (AS1040D0404)	2	
-38	458-910		ELBOW - (AS1040D0404) Left	1	
	491-060		UNION - (AN832-4D) Right	1	
-39	477-618		NUT - (AN924-4D)	4	
-40	455-938	F	CYLINDER ASSEMBLY - Master (10-22)	1	
-41	753-956	F	* HYDRAULIC CYLINDER ASSEMBLY - (189-9)	1	
-42	755-948	F	* PISTON ROD ASSEMBLY - (182-7)	1	
-43	755-949	F	** ROD - Piston (142-9)	1	
-44	755-950	F	** RING - Snap (155-10)	1	
-45	751-889	F	** GLAND - Packing (141-10)	1	
-46	484-701	F	** PACKING - O-Ring (AN6227-7)	1	
-47	484-727	F	** PACKING - O-Ring (AN6227-12)	1	
<p>A - Used on PA-28-140 with serial numbers 28-20002 and up, PA-28-150, PA-28-160 and PA-28-180 with serial numbers 28-251 and up, and PA-28-235 with serial numbers 28-10003 and up.</p> <p>B - Used on PA-28-150, PA-28-160 and PA-28-180 with serial numbers 28-1 to 28-4377 inclusive, PA-28-235 with serial numbers 28-10003 to 28-11039 inclusive, and PA-28-140 with serial numbers 28-20002 to 28-24999 inclusive.</p> <p>C - Used on PA-28-150, PA-28-160 and PA-28-180 with serial numbers 28-251 to 28-1284 inclusive.</p> <p>D - Used on PA-28-150, PA-28-160 and PA-28-180 with serial numbers 28-1285 and up, PA-28-140 and PA-28-235 airplanes.</p> <p>E - Used on PA-28-180 with serial numbers 28-4378 and up, PA-28-235 with serial numbers 28-11040 and up, and PA-28-140 with serial numbers 28-25000 and up.</p> <p>F - Used on PA-28-140 with serial numbers 28-21037 and up, PA-28-150, PA-28-160 and PA-28-180 with serial numbers 28-2701 and up, and PA-28-235 with serial numbers 28-10698 and up.</p>					

When ordering, always specify Part Number, Description, and Serial Number of Aircraft

PA-28-140
PA-28-150
PA-28-160
PA-28-180
PA-28-235

PIPER PARTS CATALOG

Figure and Index Number	Part Number	Code	NOMENCLATURE	No. Req.	SERIAL NUMBERS AFFECTED
46 -48	753-172	B	** WASHER - Dynaseal (110-3/16)	1	
-49	757-216	B	** PISTON ASSEMBLY - (92-19)	1	
-50	757-217	B	*** PISTON - (48-10)	1	
-51	484-706	B	*** PACKING - O-Ring (AN6227-11)	1	
-52	753-381	B	** BUSHING - (145-15)	1	
-53	756-117	B	** SPRING - (82-8)	1	
-54	752-855	B	** RING - Snap (155-5)	1	
-55	756-118	B	** SPRING - (82-9)	1	
-56	690-629	B	** WASHER - (NAS1149F0663P)	1	
-57	755-882	B	** ROLL PIN - (223-1)	1	
			A - Used on PA-28-140 with serial numbers 28-20002 and up, PA-28-150, PA-28-160 and PA-28-180 with serial numbers 28-251 and up, and PA-28-235 with serial numbers 28-10003 and up.		
			B - Used on PA-28-140 with serial numbers 28-21037 and up, PA-28-150, PA-28-160 and PA-28-180 with serial numbers 28-2701 and up, and PA-28-235 with serial numbers 28-10698 and up.		

PA-28-140
PA-28-150
PA-28-160
PA-28-180
PA-28-235

When ordering, always specify Part Number, Description, and Serial Number of Aircraft

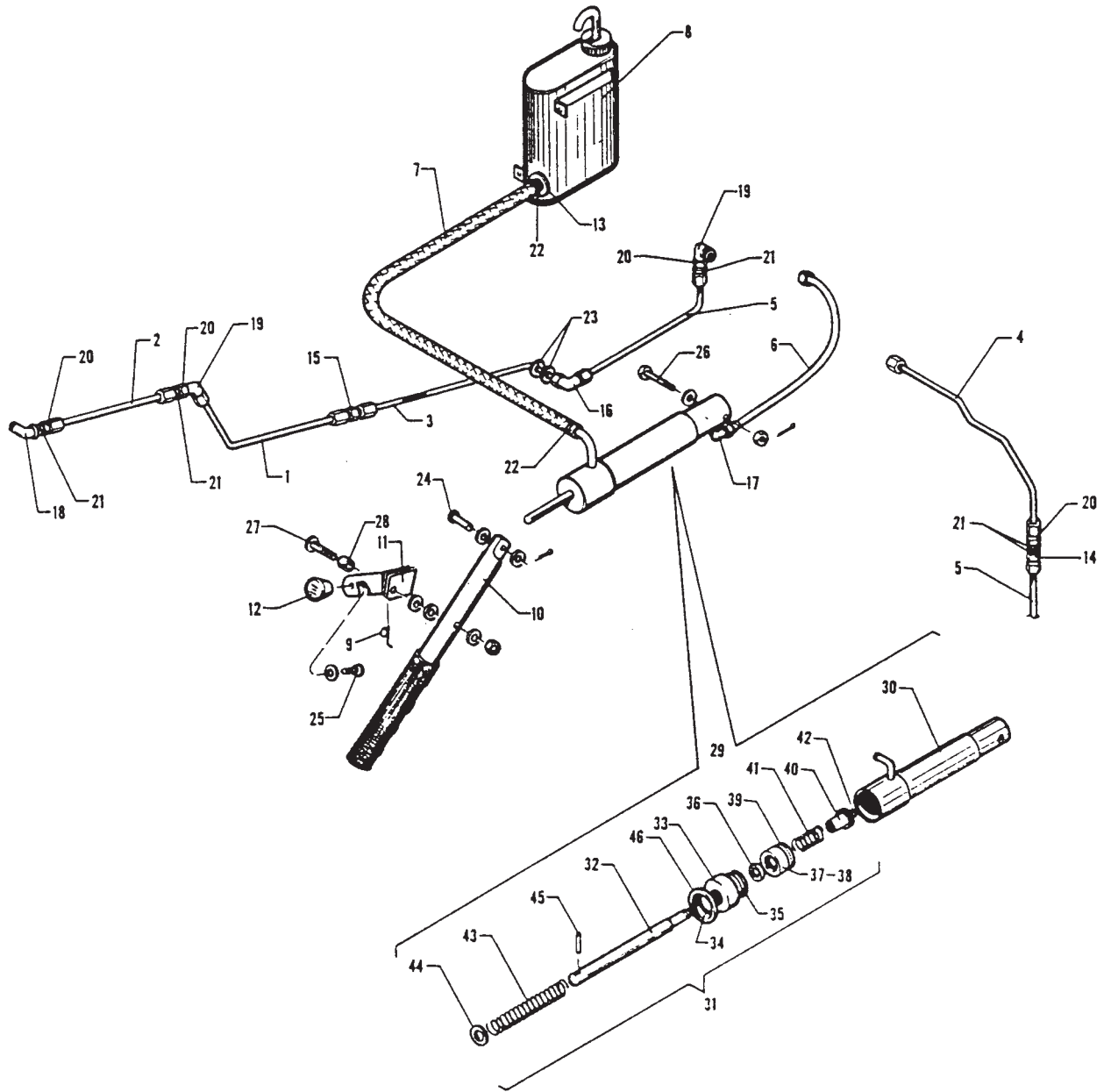


Figure 47. Hand Brake Installation

THIS PAGE INTENTIONALLY LEFT BLANK

PIPER PARTS CATALOG

Figure and Index Number	Part Number	Code	NOMENCLATURE	No. Req.	SERIAL NUMBERS AFFECTED
47-	67014		DRAWING - Hand Brake Installation		
-1	67338-000		LINE ASSEMBLY - Brake	2	
-2	67342-000	A	LINE ASSEMBLY - Brake	2	
	67549-000	B	LINE ASSEMBLY - Brake	2	
-3	68467-000		LINE ASSEMBLY - Brake	2	
-4	63466-000		LINE ASSEMBLY - Brake, right	1	
-5	63324-004	C	LINE ASSEMBLY - Brake	2	
	67700-058	D	LINE ASSEMBLY - Brake	2	
-6	63901-009		HOSE ASSEMBLY - Flexible	1	
-7	63913-010		HOSE - Flexible	1	
-8	63355-009		RESERVOIR ASSEMBLY - Brake cylinder	1	
-9	63356-000		SPRING - Brake handle	1	
-10	63357-000		HANDLE ASSEMBLY - Brake	1	
-11	67135-003		LATCH ASSEMBLY - Hand brake	1	
-12	63914-07		KNOB ASSEMBLY - Hand brake	1	
-13	63915-006		DISC - Firewall seal	1	
-14	491-060		UNION - (AN832-4D)	1	
-15	491-050		UNION - (AN815-4D)	2	
-16	458-881		ELBOW - (AN821-4D)	2	
-17	458-894		ELBOW - (AN822-4D)	1	
-18	458-900		ELBOW - (AN833-4D)	2	
-19	458-910		ELBOW - (AN837-4D)	3	
-20	477-618		NUT - (AN924-4D)	8	
-21	690-630		WASHER - (NAS1149F0763P)	8	
-22	454-983		CLAMP - (SAE 8)	2	
-23	434-151		GROMMET - (AN931-5S-12)	6	
-24	424-178		PIN - (AN393-19)	1	
	690-609		WASHER - (NAS1149F0332P)	2	
	424-051		COTTER PIN (AN380-2-2)	1	
-25	416-994		SCREW - (AN526-1032R6)	1	
	407-124		WASHER - (AN935-10L)	1	
-26	400-113		BOLT - (AN4-20)	2	
	690-611		WASHER - (NAS1149F0463P)	6	
	404-101		NUT - (AN310-4)	2	
	424-051		COTTER PIN (AN380-2-2)	2	
-27	400-876		BOLT - (AN23-24A)	1	
	690-612		WASHER - (NAS1149F0363P)	3	
	404-526		NUT - (MS21042-3)	1	
			A - Used on PA-28R-180 with serial numbers 28R-30005 to 28R-30481 inclusive, 28R-30483 to 28R-31282 inclusive, and PA-28R-200 with serial numbers 28R-30482, 28R-35001 to 28R-35669 inclusive.		
			B - Used on PA-28R-180 with serial number 28R-31283 and up, and PA-28R-200 with serial numbers 28R-35670 and up.		
			C - Used on PA-28R-180 with serial numbers 28R-30005 to 28R-7130019 inclusive, and PA-28R-200 with serial numbers 28R-30482, 28R-35001 to 28R-7135238 inclusive.		
			D - Used on PA-28R-200 with serial numbers 28R-7235001 and up.		

When ordering, always specify Part Number, Description, and Serial Number of Aircraft

PIPER PARTS CATALOG

Figure and Index Number	Part Number	Code	NOMENCLATURE	No. Req.	SERIAL NUMBERS AFFECTED
47 -28	63900-131		BUSHING	1	
-29	455-938		CYLINDER ASSEMBLY - Master (10-22)	1	
-30	753-956		HYDRAULIC CYLINDER ASSEMBLY - (189-9)	1	
-31	755-948		PISTON ROD ASSEMBLY - (182-7)	1	
-32	755-949		ROD - Piston (142-9)	1	
-33	751-889		GLAND - Packing (141-10)	1	
-34	484-701		PACKING - O-Ring (AN6227-7)	1	
-35	484-727		PACKING - O-Ring (AN6227-12)	1	
-36	753-172		WASHER - Dynaseal (110-3/16)	1	
-37	757-216		PISTON ASSEMBLY - (92-19)	1	
-38	757-217		PISTON - (48-10)	1	
-39	484-706		PACKING - O-Ring (AN6227-11)	1	
-40	753-381		BUSHING - (145-15)	1	
-41	756-117		SPRING - (82-8)	1	
-42	752-855		RING - Snap (155-5)	1	
-43	756-118		SPRING - (82-9)	1	
-44	690-629		WASHER - (NAS1149F0663P)	1	
-45	755-882		ROLL PIN - (223-1)	1	
-46	755-950		RING - Snap (155-10)	1	

When ordering, always specify Part Number, Description, and Serial Number of Aircraft

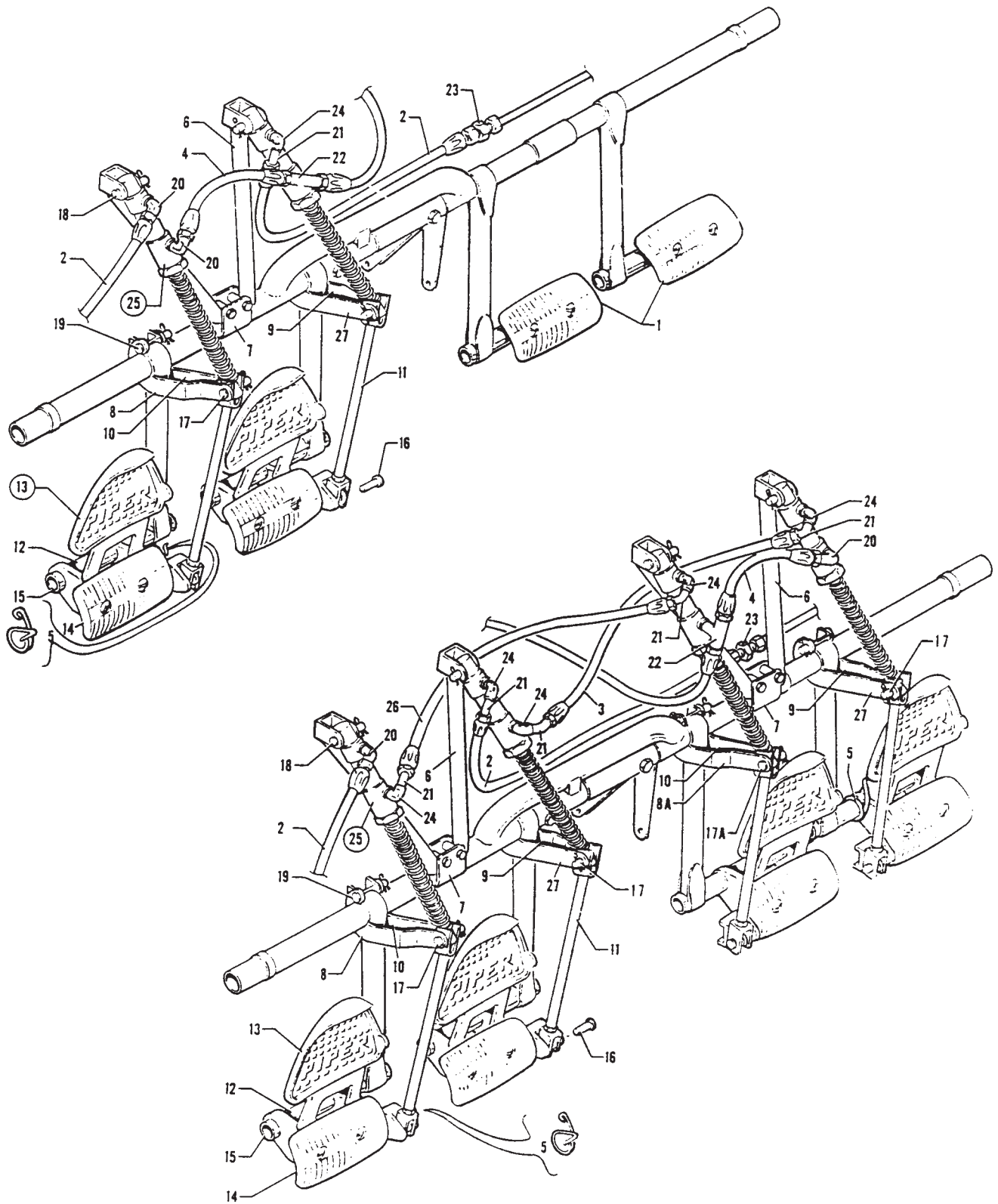


Figure 48. Toe Brake Installation

THIS PAGE INTENTIONALLY LEFT BLANK

PIPER PARTS CATALOG

Figure and Index Number	Part Number	Code	NOMENCLATURE	No. Req.	SERIAL NUMBERS AFFECTED
48-	63475 63476 62700 65580 67018 66697	J C D E F	DRAWING - Single Toe Brake Line Installation DRAWING - Dual Toe Brake Line Installation DRAWING - Control System Installation DRAWING - Control System Installation DRAWING - Control System Installation DRAWING - Control System Installation		28-25000 and up
-1	62866-000	A,J	PAD ASSEMBLY - Rudder	2	
-2	63901-009		HOSE ASSEMBLY - Flexible	2	
-3	63901-021	B	HOSE ASSEMBLY - Flexible	1	
-4	63901-022		HOSE ASSEMBLY - Flexible	1	
-5	63594-000		CLIP - Spring, left outboard pedal	1	
	63594-001	B	CLIP - Spring, right outboard pedal	1	
-6	63464-000	A,J	BRACE ASSEMBLY - Toe brake	1	
	63464-000	B	BRACE ASSEMBLY - Toe brake	2	
-7	63468-000	A,J	BRACKET - Toe brake	1	
	63468-000	B	BRACKET - Toe brake	2	
-8	63469-000		ARM - Toe brake	1	
-8a	63469-000	B,G	ARM - Toe brake	1	
	63469-001	B,H	ARM - Toe brake	1	
-9	63469-001	A,J	ARM - Toe brake	1	
	63469-001	B	ARM - Toe brake	2	
-10	63470-000	A,J	ARM - Toe brake	1	
	63470-000	B	ARM - Toe brake	2	
			A - Used with single toe brake only. B - Used with dual toe brake only. C - Used on PA-28-140 with serial numbers 28-20002 to 28-24999 inclusive, PA-28-150, PA-28-160 and PA-28-180 with serial numbers 28-1 to 28-4377 inclusive, and PA-28-235 with serial numbers 28-10003 to 28-10719 inclusive. D - Used on PA-28-235 with serial numbers 28-10720 and up, and PA-28-180 with serial numbers 28-4378 and up. E - Used on PA-28R-180 and PA-28R-200 airplanes only. F - Used on PA-28-140 airplanes only. G - Used on PA-28-140 with serial numbers 28-20002 to 28-20370 inclusive, PA-28-150, PA-28-160 and PA-28-180 with serial numbers 28-1 to 28-1760 inclusive, and PA-28-235 with serial numbers 28-10003 to 28-10486 inclusive. H - Used on PA-28-140 with serial numbers 28-20371 and up, PA-28-180 with serial numbers 28-1761 and up, PA-28-235 with serial numbers 28-10487 and up, PA-28R-180 and PA-28R-200 airplanes. J - Used on PA-28-140 with serial numbers 28-20002 to 28-7325684 inclusive, PA-28-150, PA-28-160 and PA-28-180 with serial numbers 28-1 to 28-7305611 inclusive, PA-28-235 with serial numbers 28-10003 to 28-7310187 inclusive, PA-28R-180 with serial numbers 28R-30005 to 28R-7130019 inclusive, and PA-28R-200 with serial numbers 28R-30482, 28R-35001 to 28R-7335455 inclusive.		

When ordering, always specify Part Number, Description, and Serial Number of Aircraft

PIPER PARTS CATALOG

Figure and Index Number	Part Number	Code	NOMENCLATURE	No. Req.	SERIAL NUMBERS AFFECTED
48 -11	63474-000	C	CLEVIS ASSEMBLY - Toe brake (adjustable)	4	
	66780-000	D	CLEVIS ASSEMBLY - Toe brake (non-adjustable)	4	
	79430-000	H	CLEVIS ASSEMBLY - Toe brake (non-adjustable)	4	
-12	63478-000	A,G	SPACER - Toe pedal	2	
	63478-000	B	SPACER - Toe pedal	4	
-13	63485-000		PEDAL ASSEMBLY - Toe brake, left inboard	1	
	63485-002		PEDAL ASSEMBLY - Toe brake, left, outboard	1	
	63485-001	B	PEDAL ASSEMBLY - Toe brake, right inboard	1	
	63485-003	B	PEDAL ASSEMBLY - Toe brake, right outboard	1	
-14	62867-002		PAD ASSEMBLY - Brake pedal	1	
-15	453-714		BEARING - Brake pedal	4	
-16	424-177	G	PIN - Flat head (MS20392-2C17)	4	
	424-175	H	PIN - Flat head (MS20392-2C13)	4	
-17	424-181		PIN - Flat head (AN393-25)	3	
-17a	424-181	E	PIN - Flat head (AN393-25)	1	
	424-184	F	PIN - Flat head (AN393-31)	1	28R-7435001 and up
<p>A - Used with single toe brake only. B - Used with dual toe brake only. C - Used on PA-28-140 with serial numbers 28-20002 to 28-20370 inclusive, PA-28-150, PA-28-160 and PA-28-180 with serial numbers 28-1 to 28-1760 inclusive, and PA-28-235 with serial numbers 28-10003 to 28-10486 inclusive. D - Used on PA-28-140 with serial numbers 28-20371 to 28-7325684 inclusive, PA-28-180 with serial numbers 28-1761 to 28-7305611 inclusive, PA-28-235 with serial numbers 28-10487 to 28-7310187 inclusive, PA-28R-180 with serial numbers 28R-30005 to 28R-7130019 inclusive, and PA-28R-200 with serial numbers 28R-30482, 28R-35001 to 28R-7335455 inclusive. E - Used on PA-28R-200 with serial numbers 28R-30482, 28R-35001 to 28R-7335455 inclusive, PA-28-140, PA-28-150, PA-28-160, PA-28-180, PA-28-235 and PA-28R-180 airplanes. F - Used on PA-28R-200 airplanes only. G - Used on PA-28-140 with serial numbers 28-20002 to 28-7325684 inclusive, PA-28-150, PA-28-160 and PA-28-180 with serial numbers 28-1 to 28-7305611 inclusive, PA-28-235 with serial numbers 28-10003 to 28-7310187 inclusive, PA-28R-180 with serial numbers 28R-30005 to 28R-7130019 inclusive, and PA-28R-200 with serial numbers 28R-30482, 28R-35001 to 28R-7335455 inclusive. H - Used on PA-28-140 with serial numbers 28-7425001 and up, PA-28-180 with serial numbers 28-7405001 and up, PA-28-235 with serial numbers 28-7410001 and up, and PA-28R-200 with serial numbers 28R-7435001 and up.</p>					

When ordering, always specify Part Number, Description, and Serial Number of Aircraft

PIPER PARTS CATALOG

Figure and Index Number	Part Number	Code	NOMENCLATURE	No. Req.	SERIAL NUMBERS AFFECTED
48 -18	424-184		PIN - Flat head (AN393-31)	4	
-19	424-189		PIN - Flat head (MS20392-2C39)	4	
-20	458-894		ELBOW - (MS20822-4D)	2	
-21	558-806	A,G	ELBOW - (MS20823-4D)	1	
	558-806	B	ELBOW - (MS20823-4D)	5	
-22	691-220		TEE - (MS20825-4D)	1	
-23	491-050		UNION - (AN815-4D)	1	
-24	458-904	A,G	ELBOW - (AN914-1D)	1	
	458-904	B	ELBOW - (AN914-1D)	5	
-25	455-932	A,C,D,G	CYLINDER ASSEMBLY - Master (10-20) Cleveland	2	
	458-932	B,C,D	CYLINDER ASSEMBLY - Master (10-20) Cleveland	4	
	455-968	A,C,D,G	CYLINDER ASSEMBLY - Master (10-27) Cleveland	2	
	455-968	B,C,D	CYLINDER ASSEMBLY - Master (10-27) Cleveland	4	
	455-968	A,C,G	CYLINDER ASSEMBLY - Master (10-30) Cleveland	2	
	455-968	B,C	CYLINDER ASSEMBLY - Master (10-30) Cleveland	4	
	455-944	A,C,G	CYLINDER ASSEMBLY - Master (17000) Gar-Kenyon	2	
	455-944	B,C	CYLINDER ASSEMBLY - Master (17000) Gar-Kenyon	4	
-26	63901-021	B,E	HOSE ASSEMBLY - Flexible	1	
	63901-029	B,F	HOSE ASSEMBLY - Flexible	1	28-25000 and up
-27	63470-001	A,G	ARM - Toe brake	1	
	63470-001	B	ARM - Toe brake	2	
	760-842	H	KIT - Toe brake system modification	1	

A - Used with single toe brake only.
 B - Used with dual toe brake only.
 C - See Figure 48A for component parts.
 D - No longer available. Order Master Cylinder Assembly Part Number 455-968 (Cleveland 10-30) or 455-944 (Gar-Kenyon 17000) as a replacement.
 E - Used on PA-28-140 with serial numbers 28-20002 to 28-24999 inclusive, PA-28-150, PA-28-160, PA-28-180, PA-28R-180, PA-28R-200 and PA-28-235 airplanes.
 F - Used on PA-28-140 airplanes only.
 G - Used on PA-28-140 with serial numbers 28-20002 to 28-7325654 inclusive, PA-28-150, PA-28-160 and PA-28-180 with serial numbers 28-1 to 28-7305611 inclusive, PA-28-235 with serial numbers 28-10003 to 28-7310187 inclusive, PA-28R-180 with serial numbers 28R-30005 to 28R-7130019 inclusive, and PA-28R-200 with serial numbers 28R-30482, 28R-35001 to 28R-7335455 inclusive.
 H - Reference latest revision to Service Letter 700. Used in PA-28-140 aircraft with serial numbers 28-7425001 to 28-7425219 inclusive, PA-28-180 with 28-7405001 to 28-7405090 inclusive, PA-28R-200 with serial numbers 28R-7435001 to 28R-7435166 inclusive and PA-28-235 with serial numbers 28-7410001 to 28-7410055 inclusive.

When ordering, always specify Part Number, Description, and Serial Number of Aircraft

THIS PAGE INTENTIONALLY LEFT BLANK

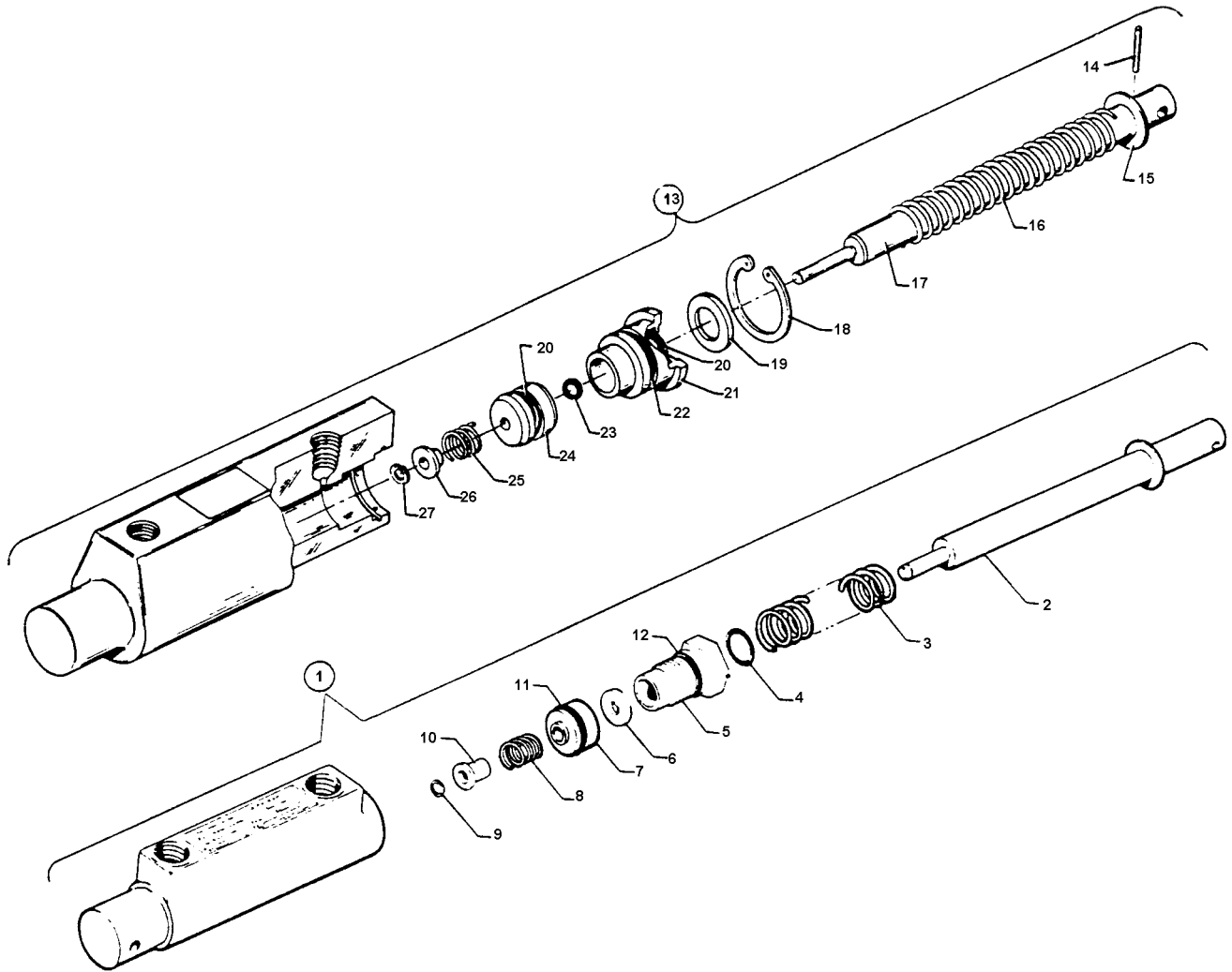


Figure 48A. Toe Brake Master Cylinder Assembly

THIS PAGE INTENTIONALLY LEFT BLANK

PIPER PARTS CATALOG

Figure and Index Number	Part Number	Code	NOMENCLATURE	No. Req.	SERIAL NUMBERS AFFECTED
48A-1	455-944		CYLINDER ASSEMBLY - Master (17000) Gar-Kenyon	4	
-2	757-480		* PISTON ROD AND RING ASSEMBLY - (95404)	1	
-3	762-276		* SPRING - (17005)	1	
-4	484-788		* O-RING - (MS28775-012)	1	
-5	754-848		* FITTING - (17002)	1	
-6	494-177		* SEAL - (110-3/16)	1	
-7	757-479		* PISTON - (17003)	1	
-8	762-277		* SPRING - (17006)	1	
-9	762-531		* RING - Retaining (XRC-313)	1	
-10	762-275		* SLEEVE - (17007)	1	
-11	752-585		* O-RING - (MS28775-113)	1	
-12	752-584		* O-RING - (MS28775-113)	1	
-13	455-968		CYLINDER ASSEMBLY - Master (10-30) Cleveland	1	
-14	757-318		** ROLL PIN - (223-00500)	1	
-15	756-622		** WASHER - (095-10100)	1	
-16	756-118		** SPRING - (82-9)	1	
-17	763-451		* PISTON ROD ASSEMBLY - (182-22)	1	
-18	762-587		* RING - Snap (155-47)	1	
-19	756-621		WASHER - Wiper (095-01300)	1	
-20	756-016		O-RING - (101-00800)	2	
-21	755-082		GLAND - Packing (141-25)	1	
-22	756-018		O-RING - (101-01100)	1	
-23	762-585		** O-RING - (101-1)	1	
-24	763-450		PISTON - (148-25)	1	
-25	757-580		SPRING - (082-02100)	1	
-26	758-457		BUSHING - (145-58)	1	
-27	762-586		RING - Snap (T5304-15)	1	

When ordering, always specify Part Number, Description, and Serial Number of Aircraft

THIS PAGE INTENTIONALLY LEFT BLANK

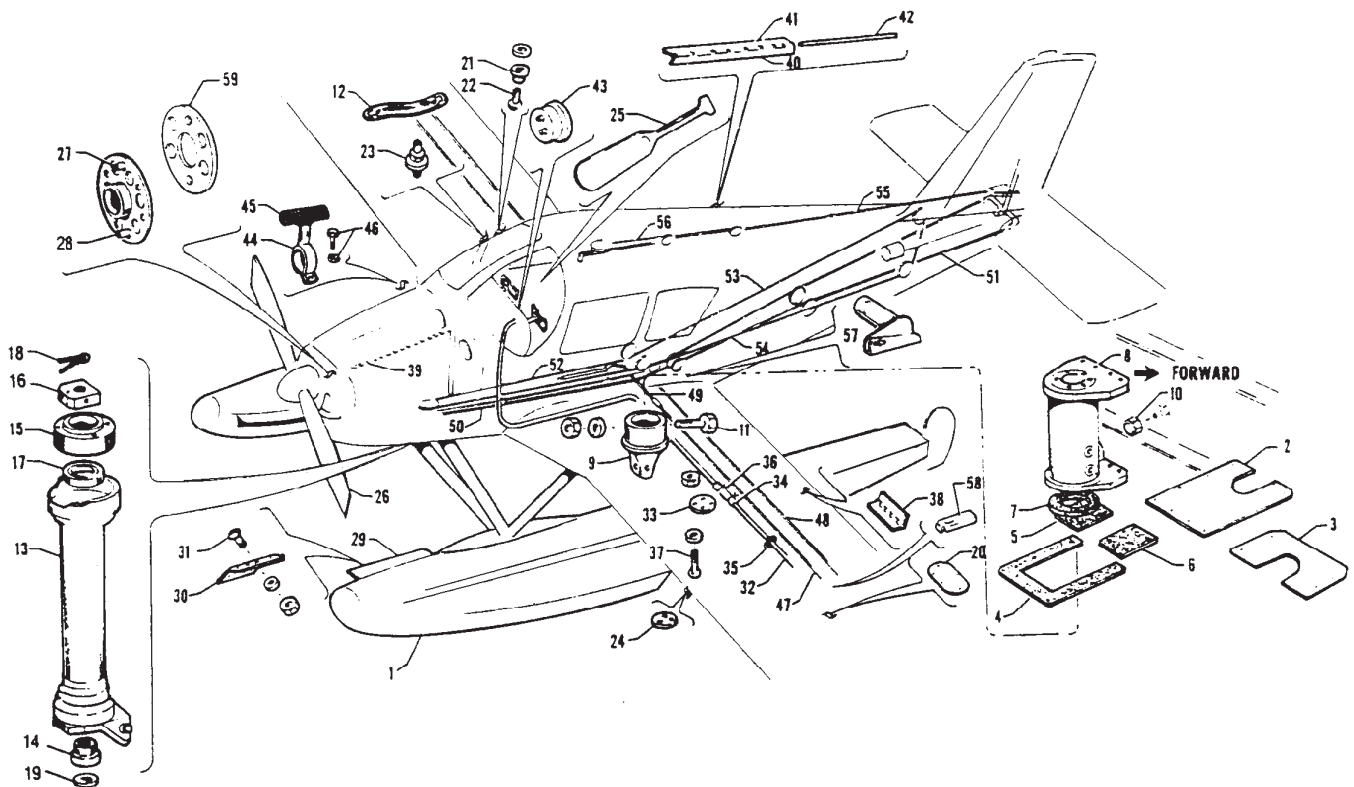


Figure 49. EDO Float Installation
 (PA-28S-180 - Serial Nos. 28S-671 to 28S-7205328 inclusive)

THIS PAGE INTENTIONALLY LEFT BLANK

PIPER PARTS CATALOG

Figure and Index Number	Part Number	Code	NOMENCLATURE	No. Req.	SERIAL NUMBERS AFFECTED
49-	62008 65680 62016 65726		DRAWING - Seaplane Conversion DRAWING - Seaplane Conversion DRAWING - Float Attachment Installation DRAWING - Float Attachment Installation		28S-671 to 28S-1760 incl. 28S-1761 to 28S-7205328 incl. 28S-671 to 28S-3177 incl. 28S-3178 to 28S-7205328 incl.
-1	-----	B	FLOAT INSTALLATION: EDO Drawing 38640		
-2	62016-022 62016-003 65726-002 65726-003		PLATE ASSEMBLY - Wing, left PLATE ASSEMBLY - Wing, right PLATE - Wing, left PLATE - Wing, right	1 1 1 1	28S-671 to 28S-3177 incl. 28S-671 to 28S-3177 incl. 28S-3178 to 28S-7206328 incl. 28S-3178 to 28S-7205328 incl.
-3	62016-006 62016-005 65726-006 65726-005		PLATE - Wing, left PLATE - Wing, right PLATE ASSEMBLY - Wing, left PLATE ASSEMBLY - Wing, right	1 1 1 1	28S-671 to 28S-3177 incl. 28S-671 to 28S-3177 incl. 28S-3178 to 28S-7205328 incl. 28S-3178 to 28S-7205328 incl.
-4	62016-007 65726-004		SEAL - Wing SEAL - Wing	2 2	28S-671 to 28S-3177 incl. 28S-3178 to 28S-7205328 incl.
-5	62016-008		SEAL - Wing, inboard	2	28S-671 to 28S-3177 incl.
-6	62016-009		SEAL - Wing, outboard	2	28S-671 to 28S-3177 incl.
-7	62016-010		SEAL - Wing	2	
-8	62017-000		HOUSING - Wing float attachment	2	
-9	62018-000		FITTING - Wing float attachment	2	
-10	454-173		CAP - Brake line (AN929-4)	2	
-11	401-333 690-613 404-530		BOLT - (AN4-35A) WASHER - (NAS1149F0432P) NUT - (MS21042-4)	4 8 4	
-12	65440-800 65440-003		STRAP ASSEMBLY - Door holder, white STRAP ASSEMBLY - Door holder, white	1 1	
-13	63361-002		BRACKET ASSEMBLY - Forward	1	
-14	63361-003		* BUSHING - (Teflon)	1	
-15	63365-000		CAP - Bearing	1	
-16	63367-000		BLOCK - Strut adapter	1	
-17	452-395		BEARING - (KP12A)	1	
-18	424-095		COTTER PIN (AN380-C2-2)	1	
-19	690-623		WASHER - (NAS1149C1232R)	1	
-20	63366-000		GASKET - Wing	2	
-21	63900-031		BUSHING - Door holder	1	
-22	416-996 690-612		SCREW - Door holder (AN526-1032-R10) WASHER - Door holder (NAS1149F0363P)	1 1	
-23	487-632 487-674		STUD - Door holder (63316) (used with eyelet type strap) STUD - Door holder (XX-1632 x 3/8) (used with socket type strap)	2 2	
-24	463-372		GROMMET - Drain (AN231-A4)	9	
-25	480-059		PADDLE - (30" to 42")	1	
-26	450-968 450-963		PROPELLER - (McCauley 1A2001FA8248) PROPELLER - (McCauley 1A200/dfa8248)	1 1	28S-671 to 28S-1760 incl. 28S-1761 to 28S-7205328 incl.
-27	753-377		BUSHING - Propeller, index (72060-S)	1	
-28	753-378		BUSHING - Propeller (72061-S)	1	

A - Used on PA-28S-180 with serial numbers 28S-671 to 28S-7205328 inclusive.
B - Secure from EDO Commercial Corporation, Westchester County Airport, White Plains, New York.

When ordering, always specify Part Number, Description, and Serial Number of Aircraft

PIPER PARTS CATALOG

Figure and Index Number	Part Number	Code	NOMENCLATURE	No. Req.	SERIAL NUMBERS AFFECTED
49 -29	62149-000		DEFLECTOR - Float	2	
-30	62150-000		CLIP - Deflector attachment	12	
-31	415-449		SCREW - (AN526-832-R8)	24	
	690-616		WASHER - (NAS1149FN832P)	24	
	404-529		NUT - (MS21042-08)	24	
-32	63904-010		HOSE - Airspeed, plastic	1	28S-671 to 28S-1760 incl.
	65165-014		TUBE - Airspeed, aluminum	1	28S-671 to 28S-1760 incl.
	65165-025		TUBE - Airspeed, aluminum	2	23S-1761 to 28S-7205328 incl.
-33	63906-002		COVER	1	28S-671 to 28S-1760 incl.
	62245-007		COVER	1	28S-1761 to 28S-7205328 incl.
-34	83161-002		HOSE - Connector	1	28S-671 to 28S-1760 incl.
	83161-002		HOSE - Connector	2	28S-1761 to 28S-7205328 incl.
-35	434-128		GROMMET - (AN931-4-7)	2	28S-671 to 28S-1760 incl.
	434-128		GROMMET - (AN931-4-7)	4	
-36	454-833		CLAMP - (SAE 6)	2	28S-671 to 28S-1760 incl.
	454-833		CLAMP - (SAE 6)	4	28S-1761 to 28S-7205328 incl.
-37	415-148		SCREW - (AN526-632-R6)	4	
	690-640		WASHER - (NAS1149FN632P)	4	
	404-526		NUT - (MS21042-3)	4	
-38	62371-008		HINGE ASSEMBLY - Aileron	4	
-39	63744-002		PIN - Hinge, cowl	2	28S-671 to 28S-1760 inc.
-40	63740-002		HINGE HALF - Baggage door, fuselage	1	
-41	63740-003		HINGE HALF - Baggage door, door	1	
-42	63740-004		PIN - Baggage door hinge	1	
-43	550-620		INSTRUMENT - True airspeed, adjustable (62143-004)	1	
	550-619		INSTRUMENT - Airspeed (63205-004)	1	
-44	65293-000		STEP ASSEMBLY	1	
-45	480-063		PAD - Step assembly (3037)	1	
-46	400-054		BOLT - (AN3-7)	2	
	404-526		NUT - (MS21042-3)	2	
-47	62701-018		CABLE ASSEMBLY - Wing, aileron	2	
-48	62701-019		CABLE ASSEMBLY - Wing, aileron balance, left	1	
	62701-020		CABLE ASSEMBLY - Wing, aileron balance, right	1	
-49	62701-017		CABLE ASSEMBLY - Aileron, forward	2	
-50	62701-021		CABLE ASSEMBLY - Rudder, forward	2	
-51	62701-023		CABLE ASSEMBLY - Rudder, aft	2	
-52	62701-025		CABLE ASSEMBLY - Stabilator, forward, left	1	
	62701-026		CABLE ASSEMBLY - Stabilator, forward, right	1	
-53	62701-027		CABLE ASSEMBLY - Stabilator, aft, left	1	
	62701-028		CABLE ASSEMBLY - Stabilator, aft, right	1	
-54	62701-029		CABLE ASSEMBLY - Flap	1	
-55	62701-031		CABLE ASSEMBLY - Stabilator trim, aft	1	
-56	62701-034		CABLE ASSEMBLY - Stabilator trim, forward	1	28S-671 to 28S-2171 incl.
	62701-046		CABLE ASSEMBLY - Stabilator trim, forward	1	28S-2172 to 28S-7206328 incl.
	62701-049	B	CABLE ASSEMBLY - Stabilator trim, forward	1	28S-2172 to 28S-7205328 incl.
-57	65388-017		TUBE ASSEMBLY - Flap torque, left	1	
	65388-018		TUBE ASSEMBLY - Flap torque, right	1	
-58	63465-000		DOUBLER - Pitot static head	1	28S-1761 to 28S-7205328 incl.
-59	79528-000		SPACER - Propeller	1	28S-671 to 28S-7105234 incl.

A - Used on PA-28S-180 with serial numbers 28S-671 to 28S-7205328 inclusive.
 B - Used when electric trim is installed.

When ordering, always specify Part Number, Description, and Serial Number of Aircraft

SECTION 4

TAIL SURFACES GROUP

THIS PAGE INTENTIONALLY LEFT BLANK

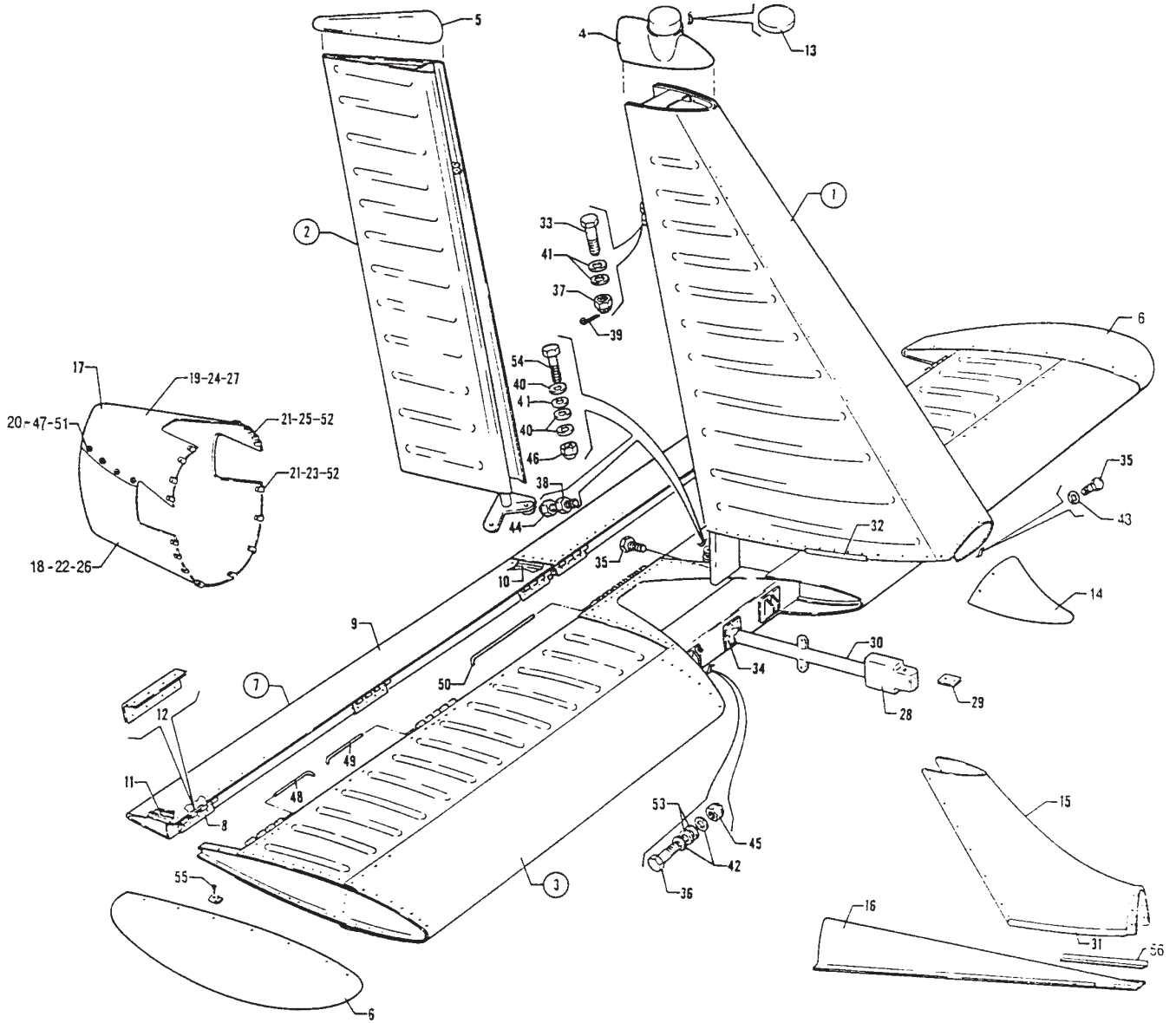


Figure 50. Tail Surfaces installation

THIS PAGE INTENTIONALLY LEFT BLANK

PIPER PARTS CATALOG

Figure and Index Number	Part Number	Code	NOMENCLATURE	No. Req.	SERIAL NUMBERS AFFECTED
50-	62002 68425	A B	DRAWING - Tail Surfaces Installation DRAWING - Tail Surfaces Installation		
-1	63500-000 63500-008 66975-000 66975-003	C,D C,E C,F C,G	FIN ASSEMBLY FIN ASSEMBLY FIN ASSEMBLY FIN ASSEMBLY	1 1 1 1	
			<p>A - Used on PA-28-235 with serial numbers 28-10003 to 28-7210033 inclusive, PA-28R-200 with serial numbers 28R-30482, 28R-35001 to 28R-7135238 inclusive PA-28-140, PA-28-150 and PA-28-180 airplanes.</p> <p>B - Used on PA-28-235 with serial number 28-7310001 and up, and PA-28R-200 with serial numbers 28R-7235001 and up.</p> <p>C - See Figure 50A for component parts.</p> <p>D - Used on PA-28-150, PA-28-160 and PA-28-180 with serial number 28-1 to 28-1980 inclusive, PA-28-140 with serial number 28-20002 to 28-20481 inclusive, and PA-28-235 with serial numbers 28-10003 to 28-10562 inclusive.</p> <p>E - Used on PA-28-150, PA-28-160 and PA-28-180 with serial number 28-1981 to 28-5600 inclusive, PA-28-140 with serial numbers 28-20482 to 28-26400 inclusive, PA-28-235 with serial numbers 28-10563 to 28-11300 inclusive, PA-28R-180 with serial number 28R-30005 to 28R-30481 inclusive, 28R-30483 to 28R-31250 inclusive, and PA-28R-200 with serial numbers 28R-30482, 28R-35001 to 28R-35600 inclusive.</p> <p>F - Used on PA-28-140 with serial number 28-26401 to 28-7325684 inclusive, PA-28-180 with serial numbers 28-5601 to 28-7305611 inclusive, PA-28R-180 with serial numbers 28R-31251 to 28R-7130019 inclusive, PA-28R-200 with serial numbers 28R-35601 to 28R-7335455 inclusive, and PA-28-235 with serial numbers 28-11301 to 28-7310187 inclusive.</p> <p>G - Used on PA-28-140 with serial numbers 28-7425001 and up, PA-28-180 with serial numbers 28-7405001 and up, PA-28-235 with serial numbers 28-7410001 and up, and PA-28R-200 with serial numbers 28R-7435001 and up.</p>		

When ordering, always specify Part Number, Description, and Serial Number of Aircraft

PIPER PARTS CATALOG

Figure and Index Number	Part Number	Code	NOMENCLATURE	No. Req.	SERIAL NUMBERS AFFECTED	
50 -2 -3	63540-000	A,K	RUDDER ASSEMBLY	1	28-10003 to 28-10562 incl.	
	65342-000	B,K	RUDDER ASSEMBLY	1		
	63540-002	C,K	RUDDER ASSEMBLY	1		
	66342-002	D,K	RUDDER ASSEMBLY	1		
	63960-000	A,H	STABILATOR ASSEMBLY	1		
	63460-000	E,H	STABILATOR ASSEMBLY	1		
	63460-002	F,H	STABILATOR ASSEMBLY	1		
	68426-000	G,J	STABILATOR ASSEMBLY	1		
	<p>A - Used on PA-28-150, PA-28-160 and PA-28-180 with serial number 28-1 to 28-1980 inclusive and PA-28-140 with serial number 28-20002 to 28-20481 inclusive.</p> <p>B - Used on PA-28-235 airplanes only.</p> <p>C - Used on PA-28-150, PA-28-160 and PA-28-180 with serial number 28-1981 to 28-7305611 inclusive and PA-28-140 with serial numbers 28-20482 to 28-7325684 inclusive.</p> <p>D - Used on PA-28-140 with serial number 28-7425001 and up, PA-28-180 with serial numbers 28-7405001 and up, PA-28-235 with serial numbers 28-10563 and up, PA-28R-180 And PA-28R-200 airplane.</p> <p>E - Used on PA-28-150, PA-28-160 and PA-28-180 with serial number 28-1981 to 28-7205328 inclusive and PA-28-140 with serial number 28-20482 and up.</p> <p>F - Used on PA-28-235 with serial numbers 28-10563 to 28-7205328 inclusive, PA-28R-180 with serial number 28R-30005 to 28R-7130019 inclusive, and PA-28R-200 with serial number 28R-30482, 28R-35001 to 28R-7135238 inclusive.</p> <p>G - Used on PA-28-180 with serial number 28-7305001 and up, PA-28-235 with serial number 28-7310001 and up, and PA-28R-200 with serial numbers 28R-7235001 and up.</p> <p>H - See Figure 50C for component parts.</p> <p>J - See Figure 50D for component parts.</p> <p>K - See Figure 50B for component parts.</p>					

When ordering, always specify Part Number, Description, and Serial Number of Aircraft

PIPER PARTS CATALOG

Figure and Index Number	Part Number	Code	NOMENCLATURE	No. Req.	SERIAL NUMBERS AFFECTED	
50 -4	63514-006	A	TIP - Fin (for rotating beacon)	1		
	96709-000	B,C	TIP - Fin (for rotating beacon)	1		
	96713-002	D	TIP - Fin (for Strobe light)	1		
	65345-003	E	TIP - Fin (for rotating beacon)	1		
	99035-003	F	TIP - Fin (for strobe light)	1		
	-5	63541-000	A	TIP - Rudder (less tail light)	1	
		99607-000	B,C	TIP - Rudder (less tail light)	1	
		99868-000	F	TIP - Rudder (less tail light)	1	
	-6	63584-006	G	TIP - Stabilator	2	28-1 to 28-534, 28-1231 and up
		63584-010	H	TIP - Stabilator	2	
		63589-000	G	TIP - Stabilator	2	28-535 to 28-1230 inclusive
		65300-000	J	TIP - Stabilator	2	
			<p>A - Used on PA-28-140 with serial numbers 28-20002 to 28-7125651 inclusive, and 28-7225001 to 28-7325684 inclusive on Flite Liner Model, PA-28-150, PA-28-160 and PA-28-180 with serial numbers 28-1 to 28-7106244 inclusive.</p> <p>B - Not used on PA-28-140 Flite Liner model.</p> <p>C - Used on PA-28-140 with serial number 28-7225001 to 28-7325684 inclusive, and PA-28-180 with serial number 28-7205001 to 28-7305611 inclusive.</p> <p>D - Used on PA-28-140 with serial number 28-26401 to 28-7325684 incl., and PA-28-180 with serial number 28-5601 to 28-7305611 inclusive.</p> <p>E - Used on PA-28-140 and PA-28-140 Flite Liner Model with serial number 28-7425001 and up, PA-28-180 with serial numbers 28-7405001 and up, PA-28-235 with serial numbers 28-10003 and up, PA-28R-180 and PA-28R-200 airplane.</p> <p>F - Used on PA-28-140 with serial number 28-7425001 and up, PA-28-180 with serial numbers 28-7406001 and up, PA-28-235 with serial number 28-11301 and up, PA-28R-180 with serial number 28R-31251 and up, and PA-28R-200 with serial numbers 28R-35601 and up.</p> <p>G - Used on PA-28-140, PA-28-150, PA-28-160 and PA-28-180 airplanes only.</p> <p>H - Used on PA-28-235 with serial numbers 28-7310001 and up, and PA-28R-200 with serial numbers 28R-7235001 and up.</p> <p>J - Used on PA-28-235 with serial numbers 28-10003 to 28-7210033 inclusive, PA-28R-180 with serial numbers 28R-30005 to 28R-7130019 inclusive, and PA-28R-200 with serial numbers 28R-30482, 28R-35001 to 28R-7135238 inclusive.</p>			

When ordering, always specify Part Number, Description, and Serial Number of Aircraft

PIPER PARTS CATALOG

Figure and Index Number	Part Number	Code	NOMENCLATURE	No. Req.	SERIAL NUMBERS AFFECTED
50 -7	63585-000	G	TAB - Stabilator- trim, left	1	
	63585-001	G	TAB - Stabilator trim, right	1	
-8	63560-002		HINGE - Half, stabilator tab	3	
-9	63586-000	G	SKIN - Stabilator trim tab, left	1	
	63586-001	G	SKIN - Stabilator trim tab, right	1	
-10	63587-000		RIB - Inboard	2	
-11	63587-001		RIB - Outboard	2	
-12	63588-000		DOUBLER	3	
-13	63264-000	E	COVER - fin tip	1	
-14	63517-000	D	FAIRING - Fin	1	
-15	99619-002	C	FAIRING - Fin, aft	1	
-16	99621-000	C,F	FAIRING - Fin, forward	1	
-17	62629-000	A	FAIRING ASSEMBLY - Tail cone	1	
-18	62629-002	A	FAIRING ASSEMBLY - Lower	1	
-19	62629-003	A	FAIRING ASSEMBLY - Upper	1	
-20	414-763	A	SCREW - (AN507-832R8)	10	
	494-081	A	WASHER - (A3135-.017-1)	10	
	406-709	A	NUT	10	
-21	406-709	A	NUT	16	
-22	65715-004	B	FAIRING ASSEMBLY - Lower	1	
-23	406-709	B	NUT	18	
-24	65715-003	B	FAIRING ASSEMBLY - Upper	1	
-25	406-709	B	NUT	8	
<p>A - Used on PA-28-140 with serial numbers 28-20002 to 28-21595 inclusive, PA-28-150, PA-28-160 and PA-28-180 with serial numbers 28-1 to 28-3377 inclusive, and PA-28-235 with serial numbers 28-10003 to 28-10735 inclusive.</p> <p>B - Used on PA-28-140 with serial numbers 28-215963 to 28-26054 inclusive, PA-28-150, PA-28-160 and PA-28-180 with serial numbers 28-3378 to 28-5445 inclusive, PA-28-235 with serial numbers 28-10736 to 28-11253 inclusive, PA-28R-180 with serial numbers 28R-30005 to 28R-31111 inclusive, and PA-28R-200 with serial numbers 28R-30482, 28R-35001 to 28R-35315 inclusive.</p> <p>C - Used on PA-28-140 with serial numbers 28-7225001 and up, PA-28-180 with serial numbers 28-7205001 and up, PA-28-235 with serial numbers 28-720001 and up, and PA-28R-200 with serial numbers 28R-7235001 and up.</p> <p>D - Used on PA-28-140 with serial numbers 28-20002 to 28-7125651 inclusive, and 28-7225001 and up on Flite Liner Model, PA-28-150, PA-28-160 and PA-28-180 with serial numbers 28-1 to 28-7105244 inclusive, PA-28R-180 with serial numbers 28R-30005 to 28R-7130019 inclusive, and PA-28R-200 with serial numbers 28R-35001 to 28R-7135238 inclusive.</p> <p>E - Used when rotating beacon is not installed.</p> <p>F - Not used on PA-28-140 Flite Liner Model.</p> <p>G - Reference latest revision of Piper Service Letter 450 on Stabilator Trim Installation Kit Numbers 756-896 and 756-930 for PA-28 aircraft with serial numbers 28-1 to 28-1410.</p>					

When ordering, always specify Part Number, Description, and Serial Number of Aircraft

PIPER PARTS CATALOG

Figure and Index Number	Part Number	Code	NOMENCLATURE	No. Req.	SERIAL NUMBERS AFFECTED
50 -26	66822-007	C	FAIRING - Lower	1	
-27	66822-008	C	FAIRING - Upper	1	
-28	99799-002	D	BALANCE WEIGHT ASSEMBLY - Stabilator	1	
	99802-002	E	BALANCE WEIGHT ASSEMBLY - Stabilator	1	
	99803-003	F	BALANCE WEIGHT ASSEMBLY - Stabilator	1	
-29	96564-000	G	* PLATE - Stabilator balance	AR	
-30	69623-004	D	TUBE ASSEMBLY - Stabilator	1	
	69623-002	E	TUBE ASSEMBLY - Stabilator	1	
	69624-002	F	TUBE ASSEMBLY - Stabilator	1	
-31	63186-021	A,B	MOULDING - Extruded	2	
-32	63186-002		MOULDING - Extruded	2	
-33	400-056		BOLT - (AN3-11)	1	
-34	400-450		BOLT - (AN3-17A)	2	
-35	400-003		BOLT - (AN4-6A)	4	
	690-611		WASHER - (NAS1149F0463P)	8	
	404-530		NUT - (MS21042-4)	8	
-36	402-680		BOLT - (NAS1104-17)	2	
-37	404-100		NUT - Castle (AN310-3)	1	
-38	404-224		NUT - (AN315-3R)	2	
-39	424-051		COTTER PIN - (MS24665-132)	1	
-40	690-612		WASHER - (NAS1149F0363P)	2	
-41	407-584		WASHER - (AN960-10L)	6	
-42	690-611		WASHER - (NAS1149F0463P)	4	
<p>A - Not used on PA-28-140 Flite Liner model. B - Used on PA-28-140 with serial numbers 28-7225001 and up, PA-28-180 with serial numbers 28-7205001 and up, PA-28-235 with serial numbers 28-7210001 and up, and PA-28R-200 with serial numbers 28R-7235001 and up. C - Used on PA-28-140 with serial numbers 28-26055 and up, PA-28-180 with serial numbers 28-5446 and up, PA-28-235 with serial numbers 28-11254 and up, PA-28R-180 with serial numbers 28R-31112 to 28R-7130019 inclusive, and PA-28R-200 with serial numbers 28R-35316 and up. D - Used on PA-28-140 with serial numbers 28-20002 and up, PA-28-150, PA-28-160 and PA-28-180 with serial numbers 28-1 to 28-7205328 inclusive. E - Used on PA-28-235 with serial numbers 28-10003 to 28-7210033 inclusive, PA-28R-180 with serial numbers 28R-30005 to 28R-7130019 inclusive, and PA-28R-200 with serial numbers 28R-30482, 28R-35001 to 28R-7135238 inclusive F - Used on PA-28-180 with serial numbers 28-7305001 and up, PA-28-235 with serial numbers 28-7310001 and up, and PA-28R-200 with serial numbers 28R-7235001 and up. G - Reference latest revision of Piper Service Bulletin 856 on Stabilator Attach Fitting Corrosion Inspection for PA-28-140 aircraft with serial numbers 28-20001 thru 28-7725290 inclusive, PA-28-150/160/180 using serial numbers 28-01 thru 28-7505259 inclusive and 28-E13, PA-28R-180 with serial numbers 28R-30001 thru 28R-7130013 inclusive, PA-28R-200 with serial numbers 28R-25001 thru 28R-7837319 inclusive and PA-28-235 with serial numbers 28-10001 thru 28-7710089 inclusive and 28-E11.</p>					

When ordering, always specify Part Number, Description, and Serial Number of Aircraft

PIPER PARTS CATALOG

Figure and Index Number	Part Number	Code	NOMENCLATURE	No. Req.	SERIAL NUMBERS AFFECTED
50 -43	400-003		BOLT - (AN4-6A)	1	
	690-611		WASHER - (NAS1149F0463P)	2	
-44	553-261		BOLT - (PL428-3-7)	2	
-45	406-945		NUT - (NAS679A4W)	2	
-46	404-526		NUT - (MS21042-3)	3	
-47	414-763	A	SCREW - (AN507-832R8)	10	
	494-101	A	WASHER - (A3135-.017-24A)	10	
-48	62002-002		PIN - Hinge	2	
-49	62002-003		PIN - Hinge	2	
-50	62002-004		PIN - Hinge	1	
-51	414-783	B	SCREW - (MS24693-C51)	10	
	494-101	B	WASHER - (A3135-017-24A)	10	
	477-816	B	NUT	10	
-52	415-179	B	SCREW - (AN526C-832R8)	16	
	477-816	B	NUT	16	
-53	690-613		WASHER - (NAS1149F0432P)	AR	
-54	401-269		BOLT - (AN3-10A)	1	
-55	419-920		SCREW - (Type "B", truss head 8 x 1/2 L)	28	28-1 to 28-1230 inclusive
	510-058		SCREW - (NAS514P832-8)	28	28-1231 and up
	406-372		NUT - (A1784-6Z3)	28	28-1 to 28-1230 inclusive
	406-709		NUT	28	28-1231 and up
	494-071		WASHER - (A3236-012-1)	28	28-1 to 28-1230 inclusive
	494-101		WASHER - (A3135-.017-24A)	28	28-1231 and up
-56	99591-000	C	ANGLE - Dorsal fin fitting, left	1	
	99591-001	C	ANGLE - Dorsal fin fitting, right	1	
<p>A - Used on PA-28-140 with serial numbers 28-21596 to 28-26054 inclusive, PA-28-150, PA-28-160 and PA-28-180 with serial numbers 28-3378 to 28-5445 inclusive, PA-28-235 with serial numbers 28-10736 to 28-11253 inclusive, PA-28R-180 with serial numbers 28R-30005 to 28R-31111 inclusive, and PA-28R-200 with serial numbers 28R-30482, 28R-35001 to 28R-35315 inclusive.</p> <p>B - Used on PA-28-140 with serial numbers 28-26055 and up, PA-28-180 with serial numbers 28-5466 and up, PA-28-235 with serial numbers 28-11254 and up, PA-28R-180 with serial numbers 28R-31112 to 28R-7130019 inclusive, and PA-28R-200 with serial numbers 28R-35316 and up.</p> <p>C - Used on PA-28-140 with serial numbers 28-7225001 and up, PA-28-180 with serial numbers 28-7205001 and up, PA-28-235 with serial numbers 28-7210001 and up, and PA-28R-200 with serial numbers 28R-7235001 and up.</p>					

When ordering, always specify Part Number, Description, and Serial Number of Aircraft

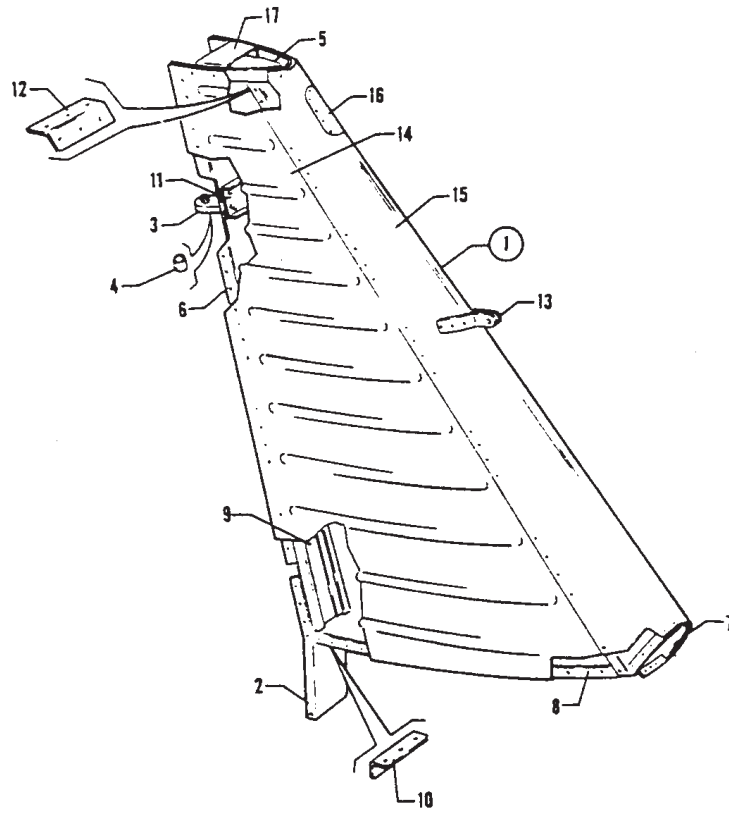


Figure 50A. Fin Assembly

THIS PAGE INTENTIONALLY LEFT BLANK

PIPER PARTS CATALOG

Figure and Index Number	Part Number	Code	NOMENCLATURE	No. Req.	SERIAL NUMBERS AFFECTED	
50A-1	63500-000	A	FIN ASSEMBLY	1		
	63500-008	B	FIN ASSEMBLY	1		
	66975-000	C	FIN ASSEMBLY	1		
	66975-003	D	FIN ASSEMBLY	1		
	-2	63501-000	E	FITTING - Fin root	1	
		63501-003	F	FITTING - Fin root	1	
	-3	63502-000		HINGE ASSEMBLY - Fin	1	
	-4	452-387		BEARING - (KP3A)	1	
				A - Used on PA-28-150, PA-28-160 and PA-28-180 with serial numbers 28-1 to 28-1980 inclusive, PA-28-140 with serial numbers 28-20002 to 28-20481 inclusive, and PA-28-235 with serial numbers 28-10003 to 28-10562 inclusive.		
				B - Used on PA-28-150, PA-28-160 and PA-28-180 with serial number 28-1981 to 28-5600 inclusive, PA-28-140 with serial numbers 28-20482 to 28-26400 inclusive, PA-28-235 with serial numbers 28-10563 to 28-11300 inclusive, PA-28R-180 with serial numbers 28R-30005 to 28R-30481 inclusive, 28R-30483 to 28R-31250 inclusive, and PA-28R-200 with serial numbers 28R-30482, 28R-35001 to 28R-35600 inclusive.		
				C - Used on PA-28-140 with serial numbers 28-26401 to 28-73256384 inclusive, PA-28-180 with serial numbers 28-5601 to 28-7305611 incl., PA-28R-180 with serial numbers 28R-31251 to 28R-7130019 inclusive, PA-28R-200 with serial numbers 28R-35601 to 28R-7335455 inclusive, and PA-28-235 with serial number 28-11301 to 28-7310187 inclusive.		
				D - Used on PA-28-140 with serial number 28-7425001 and up, PA-28-180 with serial number 28-7405001 and up, PA-28-235 with serial numbers 28-7410001 and up, and PA-28R-200 with serial number 28R-7435001 and up.		
			E - Used on PA-28-140 with serial numbers 28-20002 to 28-25301 inclusive, PA-28-180 with serial numbers 28-671 to 28-5227 inclusive, PA-28-235 with serial number 28-10003 to 28-11223 inclusive, PA-28R-180 with serial numbers 28R-30005 to 28R-30481 inclusive, 28R-30483 to 28R-31074 inclusive, PA-28-150 and PA-28-160 airplanes.			
			F - Used on PA-28-140 with serial numbers 28-25302 and up, PA-28-180 with serial numbers 28-5228 and up, PA-28-235 with serial numbers 28-11224 and up, PA-28R-180 with serial numbers 28R-31075 and up, and PA-28R-200 with serial numbers 28R-30482, 28R-35001 and up.			

When ordering, always specify Part Number, Description, and Serial Number of Aircraft

PIPER PARTS CATALOG

Figure and Index Number	Part Number	Code	NOMENCLATURE	No. Req.	SERIAL NUMBERS AFFECTED
50A-5	63503-000	C	RIB - Fin tip	1	
	68972-000	D	RIB ASSEMBLY - Fin tip	1	
-6	63504-000		SPAR - Fin rear	1	
-7	63505-000	C	RIB - Fin nose	1	
	66947-000	A	RIB ASSEMBLY - Fin nose	1	
	79268-000	B	RIB - Fin nose	1	
-8	63506-000		RIB - Fin root	1	
-9	63507-000		STIFFENER - Fin spar, right	1	28-1 to 28-1374 inclusive
	63507-001		STIFFENER - Fin spar, left	1	28-1 to 28-1374 inclusive
	65034-000		STIFFENER - Fin spar, left	1	28-1375 and up
	65034-001		STIFFENER - Fin spar, right	1	28-1375 and up
-10	63508-000		ANGLE - Fin rib attachment	1	
-11	63509-000		DOUBLER ASSEMBLY - Fin	1	
-12	63510-000		CLIP - Fin	1	
-13	63511-000	C	FITTING - Fin antenna attachment, left	1	
	63511-001	C	FITTING - Fin antenna attachment, right	1	
<p>A - Used on PA-28-140 with serial numbers 28-26401 to 28-7325684 inclusive, PA-28-180 with serial numbers 28-5601 to 28-7305611 inclusive, PA-28R-180 with serial number 28R-31251 to 28R-7130019 inclusive, PA-28R-200 with serial numbers 28R-35601 to 28R-7335455 inclusive, and PA-28-235 with serial numbers 28-11301 to 28-7310187 inclusive.</p> <p>B - Used on PA-28-140 with serial numbers 28-7425001 and up, PA-28-180 with serial numbers 28-7405001 and up, PA-28-235 with serial numbers 28-7410001 and up, and PA-28R-200 with serial numbers 28R-7435001 and up.</p> <p>C - Used on PA-28-140 with serial number 28-20002 to 28-26400 inclusive, PA-28-150, PA-28-160 and PA-28-180 with serial numbers 28-1 to 28-5600 inclusive, PA-28R-180 with serial number 28R-30005 to 28R-30481 inclusive, 28R-30483 to 28R-31250 inclusive, PA-28R-200 with serial numbers 28R-30482, 28R-35001 to 28R-35600 inclusive, and PA-28-235 with serial numbers 28-10003 to 28-11300 inclusive.</p> <p>D - Used on PA-28-140 with serial numbers 28-26401 and up, PA-28-180 with serial numbers 28-5601 and up, PA-28R-180 with serial numbers 28R-31251 and up, PA-28R-200 with serial numbers 28R-35601 and up, and PA-28-235 with serial number 28-11301 and up.</p>					

When ordering, always specify Part Number, Description, and Serial Number of Aircraft

PIPER PARTS CATALOG

Figure and Index Number	Part Number	Code	NOMENCLATURE	No. Req.	SERIAL NUMBERS AFFECTED	
50A-14	63512-000	D,F	SKIN - Fin, left	1		
	63512-001	D,F	SKIN - Fin, right	1		
	63398-000	C,E	SKIN - Fin, left	1		
	63398-001	C,E	SKIN - Fin, right	1		
	-15	63513 000	B,F	SKIN - Leading edge, fin	1	
		66964-000	A	SKIN ASSEMBLY - Fin nose (complete)	1	
	-16	66964-002	A	COVER - Air inlet	1	
	-17	63515-000		BRACKET- Fin antenna	1	
				A - Used on PA-28-140 with serial numbers 28-26401 and up, PA-28-180 with serial numbers 28-5601 and up, PA-28R-180 with serial numbers 28R-31251 and up, PA-28R-200 with serial number 28R-35601 and up and PA-28-235 with serial numbers 28-11301 and up.		
				B - Used on PA-28-150, PA-28-160 and PA-28-180 with serial numbers 28-1981 to 28-5600 inclusive, PA-28-140 with serial number 28-20482 to 28-26440 inclusive, PA-28-235 with serial numbers 28-10563 to 28-11300 inclusive, PA-28R-180 with serial numbers 28R-30005 to 28R-30481 inclusive, 28R-30483 to 28R-31250 inclusive, and PA-28R-200 with serial numbers 28R-30482, 28R-35001 to 28R-35600 inclusive.		
			C - Used on PA-28-150, PA-28-160 and PA-28-180 with serial number 28-1981 and up, and PA-28-140 with serial numbers 28-20482 and up.			
			D - Used on PA-28-235 with serial numbers 28-10003 to 28-10562 inclusive.			
			E - Used on PA-28-235 with serial numbers 28-10563 and up, PA-28R-180 and PA-28R-200 Airplanes.			
			F - Used on PA-28-150, PA-28-160 and PA-28-180 with serial numbers 28-1 to 28-1980 inclusive, and PA-28-140 with serial numbers 28-20002 to 28-20481 inclusive.			

When ordering, always specify Part Number, Description, and Serial Number of Aircraft

THIS PAGE INTENTIONALLY LEFT BLANK

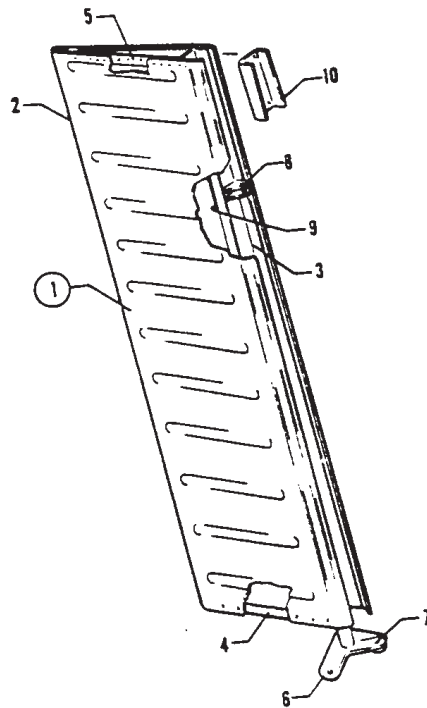


Figure 50B. Rudder Assembly

THIS PAGE INTENTIONALLY LEFT BLANK

PIPER PARTS CATALOG

Figure and Index Number	Part Number	Code	NOMENCLATURE	No. Req.	SERIAL NUMBERS AFFECTED
50B-1	63540-000	A	RUDDER ASSEMBLY	1	28-10003 to 28-10562 incl.
	65342-000	B	RUDDER ASSEMBLY	1	
	63540-002	C	RUDDER ASSEMBLY	1	
	65342-002	D	RUDDER ASSEMBLY	1	
-2	63542-000	A	* SKIN - Rudder	1	28-10003 to 28-10562 incl.
	63542-002	B	* SKIN - Rudder	1	
	63396-000	E	* SKIN - Rudder	1	
-3	63543-000		* SPAR - Rudder	1	
-4	63544-000		* RIB - Rudder root, bottom	1	
-5	63545 000		* RIB - Rudder tip, top	1	
-6	63546-000		* HORN ASSEMBLY - Rudder	1	
-7	452-387		** BEARING - (KP3A)	1	
-8	63550-000		FITTING - Rudder hinge	1	
-9	63551-000	F	DOUBLER ASSEMBLY - Rudder hinge	1	28-10003 to 28-10562 incl.
	65340-000	B	DOUBLER ASSEMBLY - Rudder hinge	1	
	63395-000	D	DOUBLER ASSEMBLY - Rudder hinge	1	
	65341-000	G	DOUBLER - Rudder, top	1	
			<p>A - Used on PA-28-150, PA-28-160 and PA-28-180 with serial numbers 28-1 to 28-1980 inclusive, and PA-28-140 with serial numbers 28-20002 to 28-20481 inclusive.</p> <p>B - Used on PA-28-235 airplanes only.</p> <p>C - Used on PA-28-150, PA-28-160 and PA-28-180 with serial numbers 28-1981 to 28-7205611 inclusive, and PA-28-140 with serial numbers 28-20482 to 28-7325684 inclusive.</p> <p>D - Used on PA-28-140 with serial numbers 28-7425001 and up, PA-28-180 with serial numbers 28-7405001 and up, PA-28-235 with serial numbers 28-10563 and up, PA-28R-180 and PA-28R-200 airplanes.</p> <p>E - Used on PA-28-150, PA-28-160 and PA-28-180 with serial numbers 28-1981 and up, PA-28-140 with serial numbers 28-20482 and up, PA-28-235 with serial numbers 28-10563 and up, PA-28R-180 and PA-28R-200 airplanes.</p> <p>F - Used on PA-28-140 with serial numbers 28-20002 to 28-7325684 inclusive, PA-28-150, PA-28-160 and PA-28-180 with serial numbers 28-1 to 28-7305611 inclusive.</p> <p>G - Used on PA-28-140 with serial numbers 28-7425001 and up, PA-28-180 with serial numbers 28-7405001 and up, PA-28-235 with serial numbers 28-10003 and up, PA-28R-180 and PA-28R-200 airplanes.</p>		

When ordering, always specify Part Number, Description, and Serial Number of Aircraft

THIS PAGE INTENTIONALLY LEFT BLANK

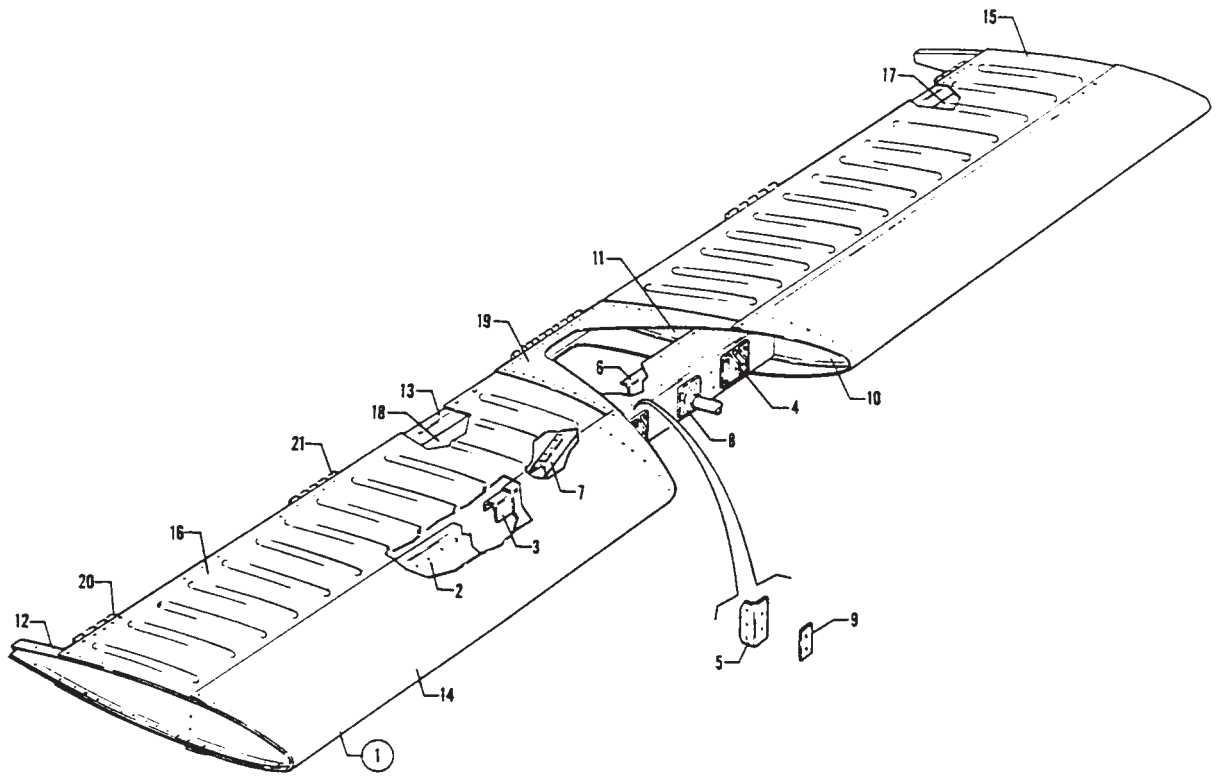


Figure 50C. Stabilator Assembly
(See Code "A" on Next Page
for Airplane Effectivity)

THIS PAGE INTENTIONALLY LEFT BLANK

PIPER PARTS CATALOG

Figure and Index Number	Part Number	Code	NOMENCLATURE	No. Req.	SERIAL NUMBERS AFFECTED
50C-1	63460-000	B	STABILATOR ASSEMBLY	1	
	63560-006	C	STABILATOR ASSEMBLY	1	28-10003 to 28-10562 incl.
	63460-000	D	STABILATOR ASSEMBLY	1	
	63460-002	E	STABILATOR ASSEMBLY	1	
-2	63561-000	B	* SPAR - Stabilator, main	1	
	63561-002	C	* SPAR - Stabilator, main	1	28-10003 to 28-10562 incl.
	63561-003	D	* SPAR - Stabilator, main	1	
	63561-004	E	* SPAR - Stabilator, main	1	
-3	63562-000	F	* CAP - Stabilator spar	2	
-4	63563-000	F	* FITTING - Stabilator hinge	2	
-5	63564-000	F	* ANGLE	2	
-6	63565-002		* CLOSURE	1	
<p>A - Used on PA-28-150, PA-28-160 and PA-28-180 with serial numbers 28-1 to 28-7205328 inclusive, PA-28-140 with serial numbers 28-20002 and up, PA-28-235 with serial numbers 28-10003 to 28-7205328 inclusive, PA-28R-180 with serial numbers 28R-30005 to 28R-30481 inclusive, 28R-30483 to 28R-7130019 inclusive, and PA-28R-200 with serial numbers 28R-30482, 28R-35001 to 28R-7135238 inclusive.</p> <p>B - Used on PA-28-150, PA-28-160 and PA-28-180 with serial numbers 28-1 to 28-1980 inclusive, and PA-28-140 with serial numbers 28-20002 to 28-20481 inclusive.</p> <p>C - Used on PA-28-235 airplanes only.</p> <p>D - Used on PA-28-150, PA-28-160 and PA-28-180 with serial numbers 28-1981 to 28-7205328 inclusive, and PA-28-140 with serial numbers 28-20482 and up.</p> <p>E - Used on PA-28-235 with serial numbers 28-10563 to 28-7210023 inclusive, PA-28R-180 with serial numbers 28R-30005 to 28R-7130019 inclusive, and PA-28R-200 with serial numbers 28R-30482, 28R-35001 to 28R-7135238 inclusive.</p> <p>F - Used on PA-28-140 with serial number 28-20002 and up, PA-28-150, PA-28-160 and PA-28-180 with serial numbers 28-1 to 28-7205328 inclusive, PA-28R-180 with serial numbers 28R-30005 to 28R-7130019 inclusive, PA-28R-200 with serial numbers 28R-30482, 28R-35001 to 28R-7135238 inclusive, and PA-28-235 with serial numbers 28-10003 to 28-7210033 inclusive.</p>					

When ordering, always specify Part Number, Description, and Serial Number of Aircraft

PIPER PARTS CATALOG

Figure and Index Number	Part Number	Code	NOMENCLATURE	No. Req.	SERIAL NUMBERS AFFECTED
50C-7	63566-000	D	STIFFENER - Right top, left bottom	2	
	63566-002	B	STIFFENER - Right top, left bottom	2	
	63566-001	D	STIFFENER - Right bottom, left top	2	
	63566-003	B	STIFFENER - Right bottom, left top	2	
-8	63567-003	C	FITTING - Balance weight attachment	2	
-9	63568-000	C	SHIM - Spar	2	
-10	63569-000	C	RIB - Stabilator nose	2	
-11	63570-000	C	RIB - Stabilator aft	2	
-12	63571-000	C	RIB - Tip	2	
-13	63572-000	C	SPAR - Stabilator, rear	1	
-14	63573-000	C	SKIN - Leading edge, left	1	
	63573-001	C	SKIN - Leading edge, right	1	
-15	63574-000	D	SKIN - Stabilator, aft top, left	1	
	63392-000	B	SKIN - Stabilator, aft top, left	1	
-16	63574-001	D	SKIN - Stabilator, aft top, right	1	
	63392-001	B	SKIN - Stabilator, aft top, right	1	
-17	63574-002	D	SKIN - Stabilator, aft bottom, left	1	
	63393-000	B	SKIN - Stabilator, aft bottom, left	1	
-18	63574-003	D	SKIN - Stabilator, aft bottom, right	1	
	63393-001	B	SKIN - Stabilator, aft bottom, right	1	
-19	63575-000	C	SKIN - Center	2	
-20	63560-002	C	HINGE - Extruded, outboard	2	
-21	63560-003	C	HINGE - Extruded, inboard and center	4	
			<p>A - Used on PA-28-150, PA-28-160 and PA-28-180 with serial numbers 28-1 to 28-7205328 inclusive, PA-28-140 with serial numbers 28-20002 and up, PA-28-235 with serial numbers 28-10003 to 28-7205328 inclusive, PA-28R-180 with serial numbers 28R-30005 to 28R-30481, 28R-30483 to 28R-7130019 inclusive, and PA-28R-200 with serial numbers 28R-30482, 28R-35001 to 28R-7135238 inclusive.</p> <p>B - Used on PA-28-140 with serial numbers 28-20482 and up, PA-28-150, PA-28-160 and PA-28-180 with serial numbers 28-1981 to 28-7205328 inclusive, PA-28-235 with serial number 28-10563 to 28-7210033 inclusive, PA-28R-180 with serial numbers 28R-30005 to 28R-7130019 inclusive, and PA-28R-200 with serial numbers 28R-30482, 28R-35001 to 28R-7135238 inclusive.</p> <p>C - Used on PA-28-140 with serial numbers 28-20002 and up, PA-28-150, PA-28-160 and PA-28-180 with serial numbers 28-1 to 28-7205328 inclusive, PA-28R-180 with serial number 28R-30005 to 28R-7130019 inclusive, PA-28R-200 with serial numbers 28R-30482, 28R-35001 to 28R-7135238 inclusive, and PA-28-235 with serial numbers 28-10003 to 28-7210023 inclusive.</p> <p>D - Used on PA-28-150, PA-28-160 and PA-28-180 with serial numbers 28-1 to 28-1980 inclusive, PA-28-140 with serial number 28-20002 to 28-20481 inclusive, and PA-28-235 with serial numbers 29-10003 to 28-10562 inclusive.</p>		

When ordering, always specify Part Number, Description, and Serial Number of Aircraft

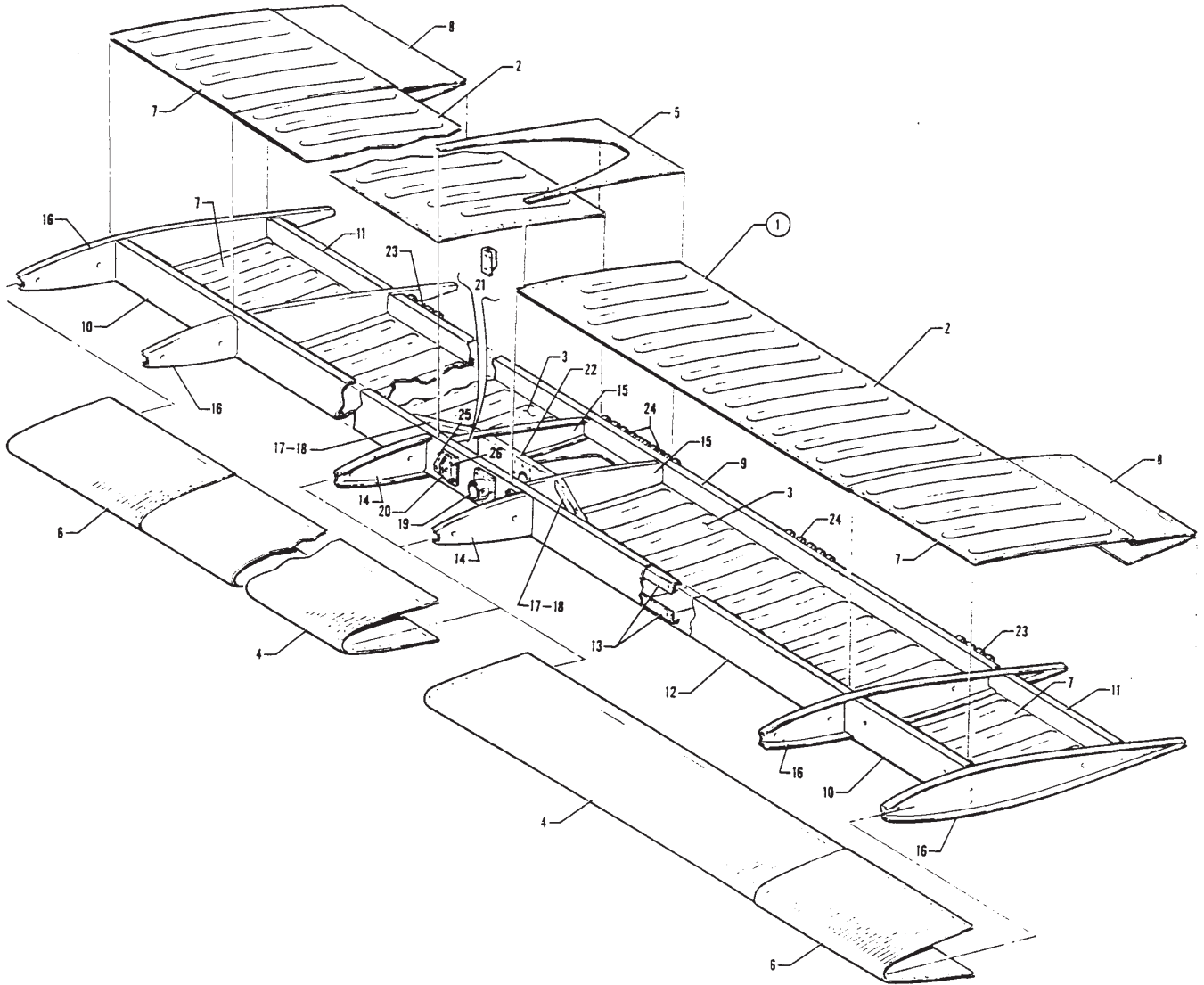


Figure 50D. Stabilator Assembly
 (PA-28-180 - Serial Nos. 28-7305001 and up)
 (PA-28-235 - Serial Nos. 28-7310001 and up)
 (PA-28R-200 - Serial Nos. 28R-7235001 and up)

THIS PAGE INTENTIONALLY LEFT BLANK

PIPER PARTS CATALOG

Figure and Index Number	Part Number	Code	NOMENCLATURE	No. Req.	SERIAL NUMBERS AFFECTED
50D-1	68426-000		STABILATOR ASSEMBLY	1	
-2	63392-000		* SKIN - Stabilator, aft top, left	1	
	63392-001		* SKIN - Stabilator, aft top, right	1	
-3	63393-000		* SKIN - Stabilator, aft bottom, left	1	
	63393-001		* SKIN - Stabilator, aft bottom, right	1	
-4	63573-000		* SKIN - Stabilator, leading edge, left	1	
	63573-001		* SKIN - Stabilator, leading edge, right	1	
-5	63575-000		* SKIN - Stabilator, center, top	1	
	63575-002		* SKIN - Stabilator, center, bottom	1	
-6	68429-000		* SKIN - Stabilator, leading edge, left	1	
	68429-001		* SKIN - Stabilator, leading edge, right	1	
-7	68430-000		* SKIN - Stabilator, top, left	1	
	68430-001		* SKIN - Stabilator, top, right	1	
-8	68431-000		* SKIN - Stabilator, top, left, bottom, right	2	
	68431-001		* SKIN - Stabilator, top, right, bottom, left	2	
-9	63572-000		* SPAR - Stabilator, rear	1	
-10	68427-000		* SPAR - Stabilator, outboard, forward	2	
-11	68428-000		* SPAR - Stabilator, outboard, aft	2	
-12	63561-005		* SPAR - Stabilator, main	1	
-13	63562-000		* CAP - Stabilator, spar	2	
-14	63569-000		* RIB - Stabilator, nose	2	
-15	63570-000		* RIB - Stabilator, aft	2	
-16	63571-000		* RIB - Stabilator, top	4	
-17	63566-003		* STIFFENER - Stabilator, top, left	1	
	63566-002		* STIFFENER - Stabilator, top, right	1	
-18	63566-002		* STIFFENER - Stabilator, bottom, left	1	
	63566-003		* STIFFENER - Stabilator, bottom, right	1	
-19	63567-003	B	* FITTING - Balance weight attachment	2	
-20	63563-000		* FITTING - Stabilator hinge	2	
-21	63564-000		* ANGLE - Stabilator	2	
-22	63565-002		* CLOSURE	1	
-23	63560-002		* HINGE - Extruded, outboard	2	
-24	63560-003		* HINGE - Extruded, inboard and center	4	
-25	400-003		* BOLT - (AN4-6A)	4	
	690-611		* WASHER - (NAS1149F0463P)	4	
	404-530		* NUT - (MS21042-4)	4	
-26	400-004		* BOLT - (AN4-7A)	4	
	690-611		* WASHER - (NAS1149F0463P)	4	
	404-530		* NUT - (MS21042-4)	4	
			A - Used on PA-28-180 with serial numbers 28-7305001 and up, PA-28-235 with serial numbers 28-7310001 and up, and PA-28R-200 with serial numbers 28R-7235001 and up.		
			B - Reference latest revision of Piper Service Bulletin 327 on balance weight tube assembly inspection on PA-28-180 aircraft with serial numbers 28-01 and up and PA-28-235 with serial numbers 28-10000 and up.		

When ordering, always specify Part Number, Description, and Serial Number of Aircraft

THIS PAGE INTENTIONALLY LEFT BLANK

SECTION 5

FUEL SYSTEM GROUP

THIS PAGE INTENTIONALLY LEFT BLANK

PIPER PARTS CATALOG

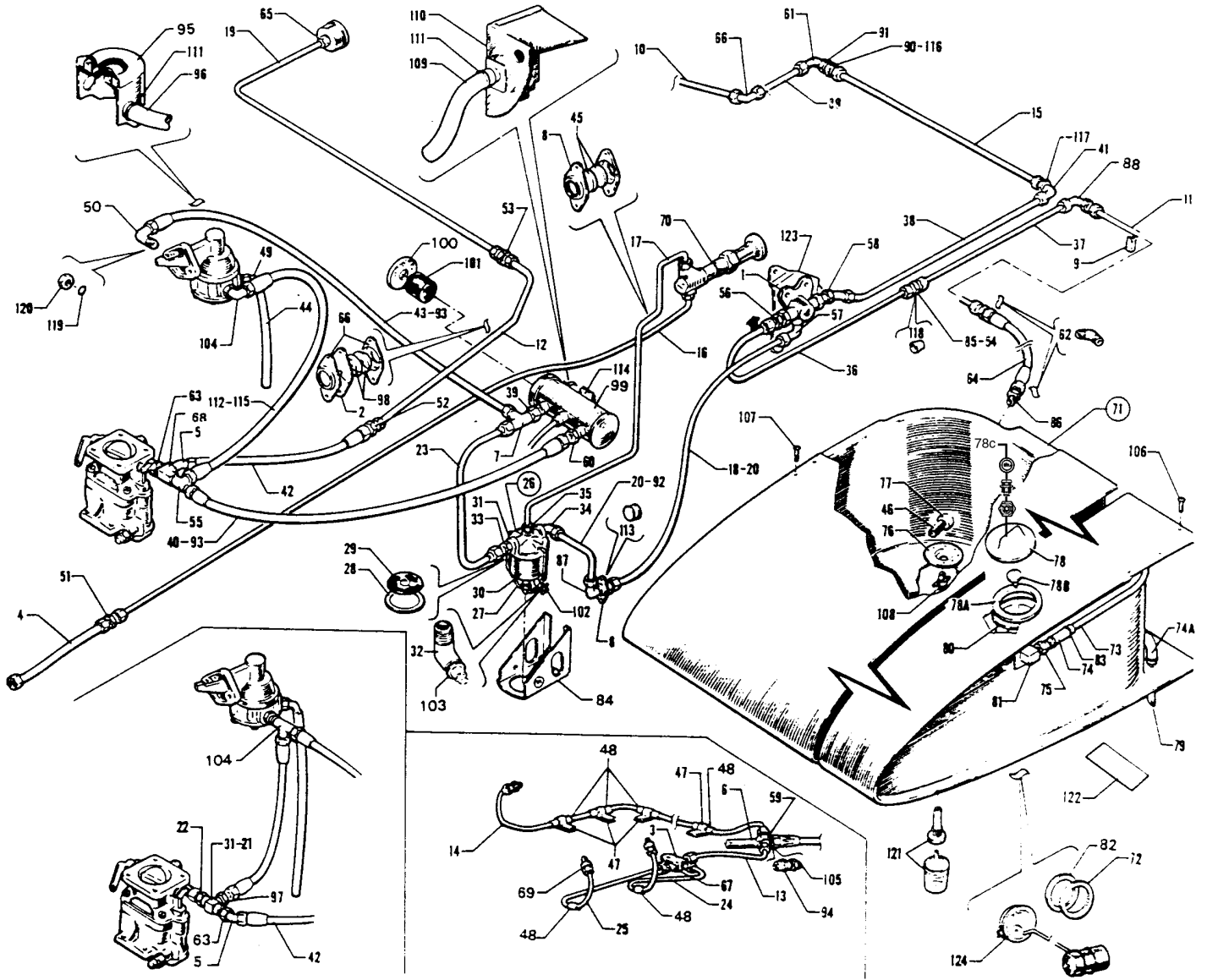


Figure 51. Fuel System Installation

THIS PAGE INTENTIONALLY LEFT BLANK

PIPER PARTS CATALOG

Figure and Index Number	Part Number	Code	NOMENCLATURE	No. Req.	SERIAL NUMBERS AFFECTED
51-	62218 62222 62313 66690		DRAWING - Fuel Cooling Installation DRAWING - Fuel System Installation DRAWING - Fuel System Installation DRAWING - Fuel System Installation		28-20002 to 28-24999 incl. 28-20002 to 28-20280 incl. 28-20281 to 28-24999 incl. 28-25000 and up
-1	491-947	C	VALVE - Fuel selector (6S122)	1	
-2	68771-006		GASKET - Firewall seal	1	28-25000 and up
-3	14470-000		CLAMP	1	
-4	17766-006		HOSE ASSEMBLY - Flexible (primer line) 1/8" I.D.	1	
	63901-077		HOSE ASSEMBLY - Flexible (primer line) 3/16" I.D.	1	
-5	66768-000		ELBOW - 45 degrees (restricted)	1	
-6	18078-000	A	CLAMP - Primer tee	1	
	65429-002	B	CLAMP - Primer tee	1	
-7	488-490		TEE - (AN826-6) Electric pump inlet	1	
-8	18321-000		RETAINER - Firewall disc	3	
-9	62119-000		CLIP - Rib, left	1	
	62119-001		CLIP - Rib, right	1	
-10	63801-000		LINE ASSEMBLY - Fuel, right wing	1	28-20002 to 28-20280 incl.
	65152-009		LINE ASSEMBLY - Fuel, right wing	1	28-20281 and up
-11	63802-000		LINE ASSEMBLY - Fuel, Left wing	1	28-20002 to 28-20280 incl.
	65152-009		LINE ASSEMBLY - Fuel, left wing	1	28-20281 and up
-12	63803-004		LINE ASSEMBLY - Fuel pressure (20.12 L)	1	28-20002 to 28-24999 incl.
-13	63806-000		LINE ASSEMBLY - Primer, left	1	
-14	63807-000		LINE ASSEMBLY - Primer, right	1	
-15	63795-000		LINE ASSEMBLY - Fuel, right	1	28-20002 to 28-20280 incl.
	62309-000		LINE ASSEMBLY - Fuel, right	1	28-20281 to 28-24999 incl.
	67700-039		LINE ASSEMBLY - Fuel, right	1	28-25000 and up
-16	63824-000		LINE ASSEMBLY - Primer to engine	1	28-20002 to 28-24999 incl.
	63824-010		LINE ASSEMBLY - Primer to engine	1	28-25000 and up
-17	63825-000		LINE ASSEMBLY - Primer, inlet	1	28-20002 to 28-24999 incl.
	63825-008		LINE ASSEMBLY - Primer, inlet	1	28-25000 and up
-18	63798-000		LINE ASSEMBLY - Fuel, valve to firewall	1	
-19	63827-000		LINE ASSEMBLY - Fuel pressure to gauge	1	28-20002 to 28-20280 incl.
	63498-000		LINE ASSEMBLY - Fuel pressure to gauge (43.50 L)	1	28-20281 to 28-24999 incl.
	67700-043		LINE ASSEMBLY - Fuel pressure to gauge (52.71 L)	1	28-25000 and up
-20	63794-010		LINE ASSEMBLY - Fuel pressure to gascolator	1	
-21	588-391		TEE - (C3709X4)	1	28-22613 and up
-22	476-705		NIPPLE - (C3069X4)	1	28-22613 and up
-23	62214-000		TUBE ASSEMBLY - Fuel gascolator to electric pump	1	28-20002 to 28-24999 incl.
	66681-000		TUBE ASSEMBLY - Fuel gascolator to electric pump	1	28-25000 and up
-24	63837-000		LINE ASSEMBLY - Engine primer, left	1	
-25	63838-000		LINE ASSEMBLY - Engine primer, left	1	
-26	63839-003		GASCOLATOR ASSEMBLY - Fuel	1	
-27	494-644		WIRE ASSEMBLY - Bail, 1 PAS	1	
-28	462-049		GASKET - 44 PA	1	
-29	35789-002		SCREEN - Wire fuel strainer	1	
-30	63840-002		BOWL ASSEMBLY - (E.Z. Drain)	1	
-31	87477-002		COVER - Fuel strainer	1	

A - Used with 1/8" I.D. hose.
 B - Used with 3/16" I.D. hose.
 C - Reference latest revision of Piper Service Bulletin 840 on Fuel Selector Valve Cover Replacement using Kit 760-546. Used in PA-28-140 with serial numbers 28-20000 thru 28-26946 inclusive.

When ordering, always specify Part Number, Description, and Serial Number of Aircraft

PIPER PARTS CATALOG

Figure and Index Number	Part Number	Code	NOMENCLATURE	No. Req.	SERIAL NUMBERS AFFECTED
51 -32	458-946		ELBOW - (AN915-1D) Drain		
-33	476-678		NIPPLE - (AN816-6)	1	
-34	458-868		ELBOW - (MS20B22-6)	1	
-35	460-651		CONNECTOR - (W/H 200 x 2)	1	
-36	63846-000		LINE ASSEMBLY - Fuel valve to left wing	1	28-20002 to 28-20280 incl.
	62306-000		LINE ASSEMBLY - Fuel valve to left wing	1	28-20281 and up
-37	63936-000		LINE ASSEMBLY - Fuel, left	1	28-20002 to 28-20280 incl.
	62308-000		LINE ASSEMBLY - Fuel, left	1	28-20281 and up
-38	63797-000		LINE ASSEMBLY - Fuel valve to right wing (35")	1	28-20002 to 28-20280 incl.
	62307-000		LINE ASSEMBLY - Fuel valve to right wing (33")	1	28-20281 and up
-39	451-872		ADAPTER - (W/H 3200 x 4 x 2) Electric pump inlet	1	
-40	63901-012		HOSE ASSEMBLY - Flexible	1	
-41	458-901		ELBOW - (AN833-6D)	1	28-20002 to 28-20280 incl.
-42	63901-007		HOSE ASSEMBLY - Flexible, to pressure gauge	1	
-43	63901-018		HOSE ASSEMBLY - Flexible, electric pump to engine pump	1	28-20002 to 28-24999 incl.
	63901-012		HOSE ASSEMBLY - Flexible, electric pump to engine pump	1	28-25000 and up
-44	63913-011		HOSE ASSEMBLY - Flexible, engine fuel pump vent	1	
-45	63915-002		DISC - Firewall seal	2	28-20002 to 28-24999 incl.
	63915-018		DISC - Firewall seal	2	28-25000 and up
-46	72091-000		STRAINER - Fuel tank finger	2	
-47	80032-069		CLAMP	4	
-48	90797-002		SLEEVE	7	
-49	451-862		ELBOW - (AN840-4)	1	28-20002 to 28-20218 incl.
	458-948		ELBOW - (1K1-2-4)	1	28-20219 and up
-50	458-868		ELBOW - (MS20822-6) Engine fuel pump	1	28-20002 to 28-21086 incl.
	458-936		ELBOW - (AN833-6) Engine fuel pump	1	28-21087 to 28-7525306 incl.
	558-830		ELBOW - (RAC2000-6) Engine fuel pump	1	28-7525307 and up
-51	491-048		UNION - (AN815-2D)	1	
	484-348	B	REDUCER - (AN919-0D)	1	
-52	491-054		UNION - (AN815-3)	1	28-20002 to 28-24999 incl.
	484-307		REDUCER - (AN919-2)	1	28-25000 and up
-53	491-049		UNION - (AN815-3D)	1	28-20002 to 28-20280 incl.
	484-351		UNION - (AN919-2D)	1	28-20281 to 28-24999 incl.
-54	491-051		UNION - (AN815-5D)	1	28-20002 to 28-20280 incl.
	491-082		UNION - (6H12D)	1	28-20281 and up
-55	488-490		TEE - (AN826-6)	1	28-20002 to 28-22612 incl.
-56	476-671		NIPPLE - (AN816-5-4D)	1	28-20002 to 28-20280 incl.
	476-662		NIPPLE - (AN816-6D)	1	28-20281 and up
-57	458-895		ELBOW - 90 degrees (AN822-6D)	1	
-58	458-892		ELBOW - 45 degrees (AN823-6D)	1	
-59	488-318	A	TEE - (AN824-2D)	1	
	588-436	B	TEE - (MS20825-2D)	1	
-60	476-685		NIPPLE - (AN816-6-2) Electric pump outlet	1	
-61	458-897		ELBOW - (MS20822-5-4D)	1	28-20002 to 28-20280 incl.
-62	458-911		ELBOW - (AS1040D0505)	2	28-20002 to 28-20280 incl.
	491-052		UNION - (AN815-6D)	2	28-20281 and up
-63	453-680		BUSHING - Reducer (AN912-1C)	1	
-64	63901-011		HOSE ASSEMBLY - Flexible, fuel line to fuel tank	2	28-20002 to 28-20280 incl.
	63901-015		HOSE ASSEMBLY - Flexible, fuel line to fuel tank	2	28-20281 and up
-65	484-348		BUSHING - Reducer (AN919-0D)	1	28-20002 to 28-20280 incl.
-66	66789-000		PLATE - Firewall seal	2	28-25000 and up
-67	460-652		TEE - (W/H 702 x 2)	1	

A - Used with 1/8" I.D. hose.
B - Used with 3/16" I.D. hose.

When ordering, always specify Part Number, Description, and Serial Number of Aircraft

PIPER PARTS CATALOG

Figure and Index Number	Part Number	Code	NOMENCLATURE	No. Req.	SERIAL NUMBERS AFFECTED
51 -68	488-496		TEE - (PF3011-4)	1	28-20002 to 28-22612 incl.
-69	31197-000		PRIMER JET	3	
-70	451-103		PRIMER ASSEMBLY - (K-2406-SAE-2)	1	
-71	63998-016		TANK ASSEMBLY - Left wing fuel	1	
	63998-017		TANK ASSEMBLY - Right wing fuel	1	
-72	462-019		* GASKET - Fuel gauge (1515832)	1	
-73	62060-000		* VENT TUBE - Left (with bead)	1	
	62060-001		* VENT TUBE - Right (with bead)	1	
	62060-004		* VENT TUBE - Left (without bead)	1	
	62060-005		* VENT TUBE - Right (without bead)	1	
-74	63913-193		* HOSE - Connector	1	
-74a	63913-194		* HOSE - Connector	1	
-75	451-857		* ADAPTER - (AN840-4D) with bead	1	
	560-951		* ADAPTER - (1068 x 6 x 2) without bead	1	
-76	62033-000		* PLATE - Drain	1	
-77	63954-000		* OUTLET ASSEMBLY - Fuel tank	1	
-78	66817-000		* CAP ASSEMBLY - Fuel tank (non-locking)	1	
	39830-800	F	* CAP ASSEMBLY FUEL KIT - Fuel tank (with locks)	1	28-7425001 and up
-78a	66815-000	D	** GASKET - Fuel cap	1	
-78b	492-153	D	** VALVE - Fuel cap vent (VA3123)	1	
-78c	39856-002	E	** LOCK ASSEMBLY - Fuel cap	2	28-7425001
-79	36625-002		* VENT ASSEMBLY - Fuel tank, left	1	
	36625-003		* VENT ASSEMBLY - Fuel tank, right	1	
-80	69785-001		* FILLER NECK ASSEMBLY	1	
-81	62059-000		* FITTING - Fuel line	1	
-82	62044-000		* PLATE - Fuel tank	1	
-83	454-833	B	* CLAMP - (SAE TY E-6)	4	
	454-806	C	* CLAMP - (SAE TY E-7)	4	
-84	63834-000		BRACKET - Gascolator mounting	1	
-85	491-051		UNION - (AN815-5D)	1	28-20002 to 28-20280 incl.
	491-082		UNION - (6H12D)	1	28-20281 and up
-86	476-671		NIPPLE - (AN816-5-4D)	2	28-20002 to 28-20280 incl.
	476-662		NIPPLE - (AN816-6D)	2	28-20281 and up
-87	458-936		ELBOW - (AN833-6)	1	28-20002 to 28-20280 incl.
-88	458-959		ELBOW - (W/H 502 x 5)	2	28-20002 to 28-20280 incl.
	558-906		ELBOW - (6E12D)	1	28-20281 and up
-89	63849-000		LINE ASSEMBLY - Fuel, right	1	28-20002 to 28-20280 incl.
-90	455-259		COUPLING - (AN910-2D)	2	28-20002 to 28-20280 incl.
-91	476-662		NIPPLE - (AN816-6D)	2	28-20002 to 28-20280 incl.
-92	63913-014		HOSE - Fire shield	1	
-93	63913-040		HOSE - Fire shield	2	
-94	455-173	A	COUPLING - (AN910-1D)	1	
-95	62878-000	A	BAFFLE ASSEMBLY - Fuel pump	1	28-20002 to 28-20256 incl.
	63422-000		BAFFLE ASSEMBLY - fuel pump	1	28-20257 and up

A - If Fuel Pump AC 6440174 has been installed, order Part Number 63422-000.
 B - Used with 3/8" O.D. hose.
 C - Used with 1/2" O.D. hose.
 D - Used with Fuel Cap Part No. 66817-000 only.
 E - Used with Fuel Cap Assembly Kit, Part Number 39830-800 only.
 F - Kit includes (2) cap assemblies with matching locks.

When ordering, always specify Part Number, Description, and Serial Number of Aircraft

PIPER PARTS CATALOG

Figure and Index Number	Part Number	Code	NOMENCLATURE	No. Req.	SERIAL NUMBERS AFFECTED
51 -96	63633-023		HOSE - Fuel pump air blast	1	
-97	476-678		NIPPLE - (AN816-6)	1	28-22613 and up
-98	68770-018		GROMMET - Firewall seal	2	28-25000 and up
-99	481-666		PUMP - Electric fuel (62220/66674)	1	
-100	751-872		* GASKET - Cover (479-136)	1	
-101	751-799		* SCREEN - Filter (479-135)	1	
-102	492-312		VALVE - (CCA-36150) drain, non-locking	1	
-103	477-677		NUT - Tru seal fitting (1/8 pipe)	1	
-104	458-868		ELBOW - (MS20822-6) Engine fuel pump	1	28-20002 to 28-21086 incl.
	458-936		ELBOW - (AN833-6) Engine fuel pump	1	28-21087 to 28-22612 incl.
	488-489		TEE - (AN804-6) Engine fuel pump	1	28-22613 to 28-7525306 incl.
	588-462		TEE - (RAC3300-6) Engine fuel pump	1	28-7525307 and up
-105	476-647	A	NIPPLE - (AN816-3D)	1	
-106	415-312		SCREW - (MS27039-0812)	60	
-107	415-309		SCREW - (MS27039-0809)	78	
-108	492-312		DRAIN - Fuel tank (CCA-36150) non-locking	2	
	491-806		DRAIN - Fuel tank (F391-187B) (Flush Type)	2	
-109	63633-023	B	HOSE - Electric fuel pump cooling	1	28-20002 to 28-7125471 incl.
	63633-104	B	HOSE - Electric fuel pump cooling	1	28-7125472 and up
-110	62215-000		COVER ASSEMBLY - Electric fuel pump cooling	1	28-20002 to 28-24999 incl.
	66676-003		COVER ASSEMBLY - Electric fuel pump cooling	1	28-25000 and up
	66676-003		COVER ASSEMBLY - Electric fuel pump cooling	1	28-25000 and up
-111	454-994		CLAMP - (H-2-1160)	2	
-112	63901-014		HOSE ASSEMBLY - Flexible	1	
-113	63915-008		DISC - Firewall seal	2	
-114	62219-000		SPACER - Fuel pump mounting	AR	
-115	63913-025		HOSE - Fire shield	1	
-116	491-082		UNION - (6H12D)	1	28-20281 and up
-117	477-670		NUT - (6B12D)	4	28-20281 and up
-118	460-464		FERRULE - (6T12D)	4	28-20281 and up
-119	462-060		O-RING - (MS29512-6)	2	28-21087 to 28-7525278 incl.
-120	477-631		NUT - (AN924-6)	2	28-21087 to 28-7525278 incl.
-121	62924-002		SAMPLER - Fuel (used with Pet-Cock Type Drain)	1	
	67728-000		SAMPLER - Fuel (used with Flush Type Drain)	1	
-122	99364-000		PLACARD - Fuel	2	
-123	99754-002		SUPPORT ASSEMBLY - Fuel selector cover	1	
-124	62037-000		SENDER - Fuel tank (450-759)	2	28-20002 to 28-20550 incl.
	68101-002		SENDER - Fuel tank	2	28-20551 and up

A - Used with 3/16" I.D. hose.
 B - Reference Piper Service Letter 611 for information on Repositioning of Oil Cooler Hose using Kit 760-599 for PA-28-140 Cherokee aircraft with serial numbers 28-7125472 through 28-7225172 inclusive.

When ordering, always specify Part Number, Description, and Serial Number of Aircraft

PIPER PARTS CATALOG

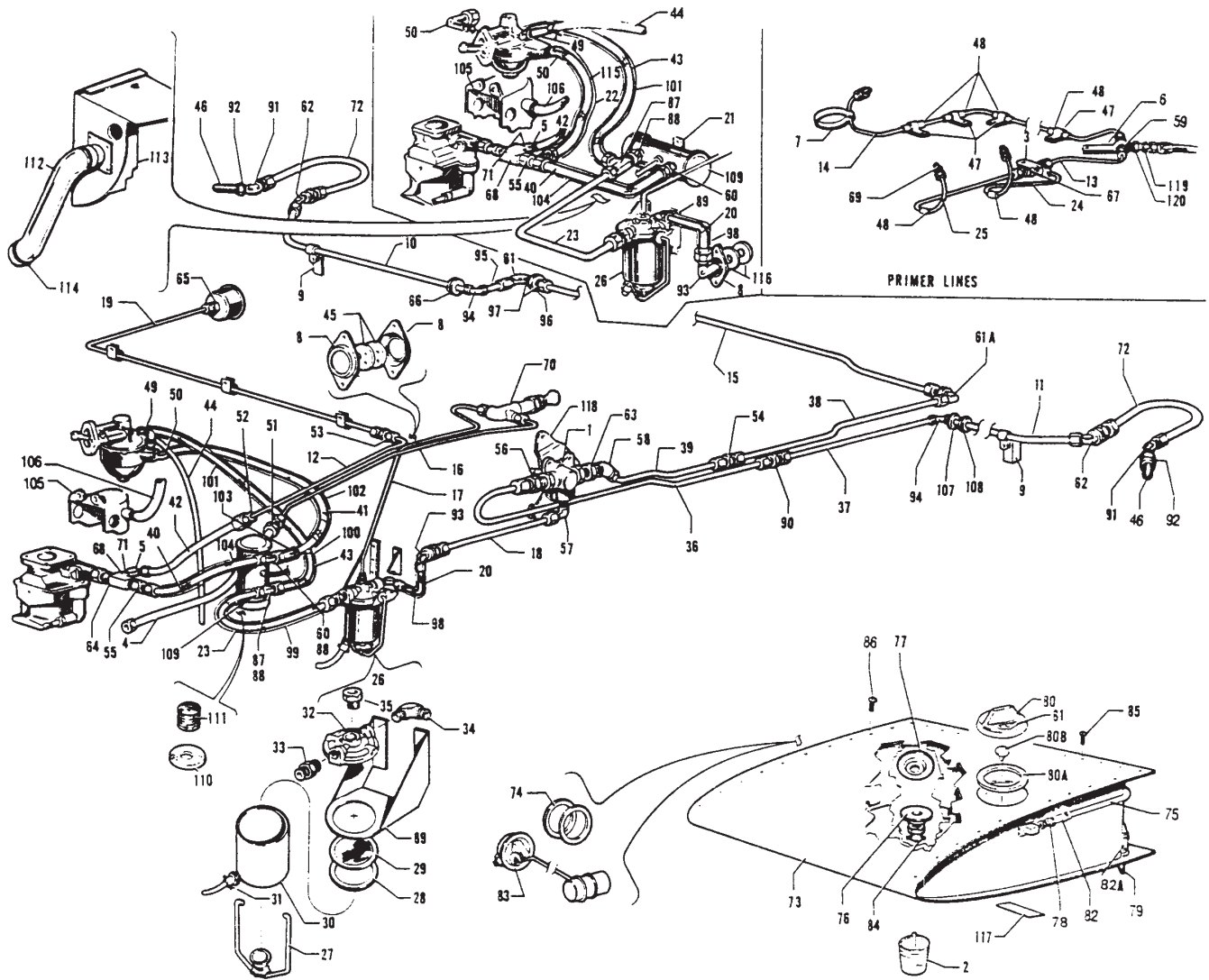


Figure 52. Fuel System Installation
 (PA-28-150-160-180 - Serial Nos. 28-1 to 28-1760 inclusive)

THIS PAGE INTENTIONALLY LEFT BLANK

PIPER PARTS CATALOG

Figure and Index Number	Part Number	Code	NOMENCLATURE	No. Req.	SERIAL NUMBERS AFFECTED
52-	63800 63796 62222		DRAWING - Fuel System Installation DRAWING - Fuel System Installation DRAWING - Fuel System Installation		28-1 to 28-670 inclusive 28-671 to 28-1520 inclusive 28-1521 to 28-1760 inclusive
-1	491-947	E	VALVE - Fuel selector (6S122)	1	
-2	62924-002 67728-000		SAMPLER - Fuel (used with Pet-Cock Type Drain) SAMPLER - Fuel (used with Flush Type Drain)	1 1	
-3	14470-000		CLAMP	1	
-4	17766-006 63901-077		HOSE ASSEMBLY - Flexible (primer line) HOSE ASSEMBLY - Flexible (primer line)	1 1	
-5	17803-000		ELBOW - 45 Degrees (restricted)	1	
-6	18078-000	C	CLAMP - Primer tee	1	
	65429-002	D	CLAMP - Primer tee	1	
-7	18307-000		CLAMP - Primer tee	1	28-1 to 28-510 inclusive
-8	18321-000		RETAINER - Firewall disc	3	
-9	62119-000 62119-001		CLIP - Rib, left CLIP - Rib, right	1 1	
-10	63801-000		LINE ASSEMBLY - Fuel, right wing	1	
-11	63802-000		LINE ASSEMBLY - Fuel, left wing	1	
-12	63803-000 63803-004		LINE ASSEMBLY - Fuel pressure LINE ASSEMBLY - Fuel pressure	1 1	28-1 to 28-510 inclusive 28-511 and up
-13	63806-000		LINE ASSEMBLY - Primer, left	1	
-14	63807-000		LINE ASSEMBLY - Primer, right	1	
-15	63823-000 63795-000		LINE ASSEMBLY - Fuel, right LINE ASSEMBLY - Fuel, right	1 1	28-1 to 28-670 inclusive 28-671 to 28-1760 inclusive
-16	63824-000		LINE ASSEMBLY - Primer, no engine	1	
-17	63825-000		LINE ASSEMBLY - Primer, inlet	1	
-18	63826-000 63798-000		LINE ASSEMBLY - Fuel, valve to firewall LINE ASSEMBLY - Fuel, valve to firewall	1 1	28-1 to 28-670 inclusive 28-671 to 28-1760 inclusive
-19	63827-000		LINE ASSEMBLY - Fuel pressure to gauge	1	
-20	63845-000 63798-000		LINE ASSEMBLY - Fuel, to gascolator LINE ASSEMBLY - Fuel, to gascolator	1 1	28-1 to 28-670 inclusive 28-671 to 28-1760 inclusive
-21	62219-000	B	SPACER - Fuel pump mounting	1	28-1521 to 28-1760 inclusive
-22	63913-025	B	HOSE - Fire shield	1	28-1521 to 28-1760 inclusive
-23	63835-000 63901-010 63901-012 62214-000	A A A	LINE ASSEMBLY - Fuel, gascolator to electric pump HOSE ASSEMBLY - Fuel, gascolator to electric pump HOSE ASSEMBLY - Fuel, gascolator to electric pump TUBE ASSEMBLY - Fuel, gascolator to electric pump	1 1 1 1	28-1 to 28-510 inclusive 28-511 to 28-670 inclusive 28-671 to 28-1520 inclusive 28-1521 to 28-1760 inclusive
-24	63837-000		LINE ASSEMBLY - Engine primer, left	1	
-25	63838-000		LINE ASSEMBLY - Engine primer, left	1	

- A - If Fuel Cooling Kit 756-807, 756-808 or 756-809 has been installed, order part for serial numbers 28-1521 to 28-1760 inclusive.
- B - Used on PA-28-150, PA-28-160 and PA-28-180 with serial numbers 28-1 to 28-1520 inclusive, if Fuel Cooling Kit 756-807, 756-808 or 756-809 has been installed.
- C - Used with 1/8" I.D. hose.
- D - Used with 3/16" I.D. hose.
- E - Reference latest revision of Piper Service Bulletin 840 on Fuel Selector Valve Cover Replacement using Kit 760-546. Used in PA-28-150-160-180 aircraft with serial numbers 28-01 thru 28-5859 inclusive.

When ordering, always specify Part Number, Description, and Serial Number of Aircraft

PIPER PARTS CATALOG

Figure and Index Number	Part Number	Code	NOMENCLATURE	No. Req.	SERIAL NUMBERS AFFECTED
52 -26	63839-000		GASCOLATOR ASSEMBLY - Fuel	1	28-1 to 28-670 inclusive
	63839-002		GASCOLATOR ASSEMBLY - Fuel	1	28-671 to 28-1760 inclusive
-27	100871-002		* WIRE ASSEMBLY - Bail 1 PAS	1	
-28	462-049		* GASKET	1	
-29	35789-002		* SCREEN - Wire fuel strainer	1	
-30	63840-000		* BOWL ASSEMBLY - (E.Z. Drain)	1	
-31	458-946		* * ELBOW - (AN915-1D) Drain	1	
	492-312		* * VALVE - (CCA-36150) Drain, non-locking	1	
-32	87477-002		* COVER - Fuel strainer	1	
-33	476-671	A	* NIPPLE - (AN816-5-4)	1	28-1 to 28-670 inclusive
	476-678		* NIPPLE - (AN816-6)	1	28-6171 to 28-1760 inclusive
-34	458-873		* ELBOW - (MS20822-54)	1	28-1 to 28-670 inclusive
	458-868		* ELBOW - (MS20822-6)	1	28-671 to 28-1760 inclusive
-35	460-651		* CONNECTOR - (W/H 200 x 2)	1	
-36	63846-000		LINE ASSEMBLY - Fuel valve to left wing	1	
-37	63936-000		LINE ASSEMBLY - Fuel left	1	
-38	63937-000		LINE ASSEMBLY - Fuel valve to right wing rear (18")	1	28-1 to 28-670 inclusive
	63797-000		LINE ASSEMBLY - Fuel valve to right wing (35")	1	28-671 to 28-1760 inclusive
-39	63848-000		LINE ASSEMBLY - Fuel, right, front (15-1/2")	1	28-1 to 28-670 inclusive
-40	63901-005	A	HOSE ASSEMBLY - Flexible, electric pump to carburetor	1	28-1 to 28-670 inclusive
	63901-011	A	HOSE ASSEMBLY - Flexible, electric pump to carburetor	1	28-671 to 28-1056 inclusive
	63901-014	A	HOSE ASSEMBLY - Flexible, electric pump to carburetor	1	28-1057 to 28-1520 inclusive
	63901-012		HOSE ASSEMBLY - Flexible, electric pump to carburetor	1	28-1521 to 28-1760 inclusive
-41	63901-006		HOSE ASSEMBLY - Flexible, engine pump to electric pump	1	28-1 to 28-1056 inclusive
	63901-012		HOSE ASSEMBLY - Flexible, engine pump to electric pump	1	28-1057 to 28-1520 inclusive
-42	63901-007		HOSE ASSEMBLY - Flexible, to pressure gauge	1	
-43	63901-008	A	HOSE ASSEMBLY - Flexible, electric pump to engine pump	1	28-1 to 28-670 inclusive
	63901-013	A	HOSE ASSEMBLY - Flexible, electric pump to engine pump	1	28-671 to 28-1520 inclusive
	63901-018		HOSE ASSEMBLY - Flexible, electric pump to engine pump	1	28-1521 to 28-1760 inclusive
-44	63913-003		HOSE ASSEMBLY - Flexible (engine fuel pump vent)	1	28-1 to 28-342 inclusive
	63913-011		HOSE ASSEMBLY - Flexible (engine fuel pump vent)	1	28-343 to 28-1760 inclusive
-45	63915-002		DISC - Firewall seal	2	
-46	72091-000		STRAINER - Fuel tank finger	2	
-47	80032-069		CLAMP	4	
-48	90797-002		SLEEVE	7	
-49	21227-000		ELBOW	1	28-1 to 28-342 inclusive
	458-903		ELBOW - (AN842-4)	1	28-343 to 28-670 inclusive
	451-862		ELBOW - (AN840-4)	1	28-671 to 28-1760 inclusive
-50	458-896	A	ELBOW - (AN822-5D)	2	28-1 to 28 342 inclusive
	458-873	A	ELBOW - (MS20822-5-4)	2	28-343 to 28-670 inclusive
	458-873	A	ELBOW - (MS20822-5-4) From fuel strainer	1	28-671 to 28-1056 inclusive
	458-868		ELBOW - (MS20822-6) From fuel strainer	1	28-1057 to 28-1760 inclusive
	458-873	A	ELBOW - (M620822-5-4) To electric fuel pump	1	28-671 to 28-1056 inclusive
	458-868		ELBOW - (MS20822-6) To electric fuel pump	1	28-1057 to 28-1760 inclusive
-51	484-348	B	UNION - (AN919-0D)	1	
	484-348	C	REDUCER - (AN919-0D)	1	

A - If Fuel Cooling Kit 756-807, 756-808 or 756-809 has been installed order, part for serial numbers 28-1521 to 28-1760 inclusive
 B - Used with 1/8" I.D. hose.
 C - Used with 3/16" I.D. hose.

When ordering, always specify Part Number, Description, and Serial Number of Aircraft

PIPER PARTS CATALOG

Figure and Index Number	Part Number	Code	NOMENCLATURE	No. Req.	SERIAL NUMBERS AFFECTED
52 -52	491-054		UNION - (AN815-3)	1	
-53	491-049		UNION - (AN815-3D)	1	
-54	491-051		UNION - (AN815-5D)	1	
-55	476-667	A	NIPPLE - (AN815)	1	28-1 to 28-1056 inclusive
	476-678	A	NIPPLE - (AN816-6)	1	28-1057 to 28-1520 inclusive
	488-490		TEE - (AN826-6)	1	28-1521 to 28-1760 inclusive
-56	476-671		NIPPLE - (AN816)	1	
-57	458-897		ELBOW - 90° (AN822-5-4D)	1	28-1 to 28-670 inclusive
	458-895		ELBOW - 90° (AN822-6D)	1	28-671 to 28-1760 inclusive
-58	458-890		ELBOW - 45° (AN823-5D)	1	28-1 to 28-670 inclusive
	458-892		ELBOW - 45° (AN823-6D)	1	28-671 to 28-1760 inclusive
-59	588-436	B,C	TEE - (MS20825-2D)	1	
-60	488-336	A	TEE - (AN825-5) Electric pump outlet	1	28-1 to 28-1056 inclusive
	691-223	A	TEE - (MS20825-6) Electric pump outlet	1	28-1057 to 28-1520 inclusive
	476-685		NIPPLE - (AN816-2) Electric pump outlet	1	28-1521 to 28-1760 inclusive
-61	458-878		ELBOW - (AN833-5D)	1	28-1 to 28-670 inclusive
	458-896		ELBOW - (MS20822-5D) 150 and 160	1	28-671 to 28-990 inclusive
	458-897		ELBOW - (MS20822-5-4D)	1	28-991 to 28-1760 inclusive
-61a	458-878		ELBOW - (AN833-5D)	1	28-1 to 28-670 inclusive
	458-901		ELBOW - (AN833-6D)	1	28-671 to 28-1760 inclusive
-62	458-911		ELBOW - (AS1040D0505)	2	
-63	453-616		BUSHING - Reducer (AN912-1D)	1	28-1 to 28-670 inclusive
-64	453-680		BUSHING - Reducer (AN912-1C)	1	28-1 to 28-1056 inclusive
-65	484-348		BUSHING - Reducer (AN919-0D)	1	
-66	434-151		GROMMET - (MS35489-10S)	1	
-67	460-652		TEE - (W/H 702 x 2)	1	
-68	488-381	A	TEE - (W/H 3750 x 2)	1	28-1 to 28-1056 inclusive
	488-496		TEE - (PF3011-4)	1	28-1057 to 28-1760 inclusive
-69	31197-000		PRIMER JET	3	
-70	451-103		PRIMER ASSEMBLY - (K-2406-SAE-2)	1	
-71	453-680		BUSHING - Reducer (AN912-1C)	1	
-72	63901-011		HOSE ASSEMBLY - Flexible fuel line to fuel tank	2	
-73	63998-016		TANK ASSEMBLY - Left wing fuel	1	
	63998-017		TANK ASSEMBLY - Right wing fuel	1	
-74	462-019		* GASKET - Fuel gauge (1515832)	1	
-75	62060-000		* VENT TUBE - Left (with bead)	1	
	62060-001		* VENT TUBE - Right (with bead)	1	
	62060-004		* VENT TUBE - Left (without bead)	1	
	62060-005		* VENT TUBE - Right (without bead)	1	
-76	62033-000		* PLATE - Drain	1	
-77	63954-000		* OUTLET ASSEMBLY - Fuel tank	1	
-78	451-857		* ADAPTER - (AN840-4D) with bead	1	
	560-951		* ADAPTER - (1068 x 6 x 2) without bead	1	
-79	36625-002		* VENT ASSEMBLY - Fuel tank left	1	
	36625-003		* VENT ASSEMBLY - Fuel tank right	1	
-80	62045-005		* CAP ASSEMBLY - Fuel tank (used with 1/2" diameter filler neck)	1	
	66817-000		* CAP ASSEMBLY - Fuel tank (used with 2-1/4" diameter filler neck)	1	
-80a	66815-000	D	** GASKET - Fuel cap	1	
-80b	492-153	D	** VALVE - Fuel cap vent (VA3123)	1	

A - If Fuel Cooling Kit 756-807, 756-808 or 756-809 has been installed. Order part for serial numbers 28-1521 to 28-1760 inclusive.
 B - Used with 1/8" I.D. hose.
 C - Used with 3/16" I.D. hose.
 D - Used with Fuel Cap Part Number 66817-000 only.

When ordering, always specify Part Number, Description, and Serial Number of Aircraft

PIPER PARTS CATALOG

Figure and Index Number	Part Number	Code	NOMENCLATURE	No. Req.	SERIAL NUMBERS AFFECTED
52 -81	62142-000		** PLACARD - Fuel tank cap (outboard)	1	
-82	63913-193		* HOSE - Connector	1	
-82a	63913-194		* HOSE - Connector	1	
-83	62037-000		GAUGE - Fuel tank (450-759)	2	
-84	492-312		DRAIN - Fuel (CCA-36150) (Pet-Cock Type), non-locking	2	
	491-806		DRAIN - Fuel (F391-187B) (Flush Type)	2	
-85	415-312		SCREW - (MS27039-0812)	60	
-86	415-309		SCREW - (MS27039-0809)	78	
-87	488-336	B	TEE - (AN825-5) Electric pump inlet	1	28-1 to 28-670 inclusive
	691-223	B	TEE - (MS20825-6) Electric pump inlet	1	28-671 to 28-1520 inclusive
	488-490		TEE - (AN826-6) Electric pump inlet	1	28-1521 to 28-1760 inclusive
-88	451-872		ADAPTER - (W/H 3200 x 4 x 2) Electric pump inlet	1	28-671 to 28-1760 inclusive
	451-872		ADAPTER - (W/H 3200 x 4 x 2) Electric pump inlet	1	28-1057 to 28-1520 inclusive
-89	63834-000		BRACKET - Gascolator mounting	1	
-90	491-051		UNION - (AN815-5D)	1	28-1 to 28-670 inclusive
-91	458-890		ELBOW - 45 degrees (AN823-5D)	2	28-1 to 28-59 inclusive
	476-671		NIPPLE - (AN816-5-4D)	2	28-60 to 28-1760 inclusive
-92	453-616		BUSHING - Reducer (AN912-1D)	2	28-1 to 28-59 inclusive
-93	458-935		ELBOW - (AN833-5)	1	28-1 to 28-670 inclusive
	458-936		ELBOW - (AN833-6)	1	28-671 to 28-1760 inclusive
-94	458-959		ELBOW - (W/H 502 x 5)	2	
-95	63849-000		LINE ASSEMBLY - Fuel, right	1	
-96	455-259		COUPLING - (AN910-2D)	1	
-97	476-662		NIPPLE - (AN816-6D)	2	
-98	63913-014		HOSE - Fire shield	1	
-99	63913-015		HOSE - Fire shield	1	28-1 to 28-670 inclusive
	63913-021		HOSE - Fire shield	1	28-671 to 28-1520 inclusive
	63913-016		HOSE - Fire shield	1	28-1 to 28-670 inclusive
-101	63913-017	B	HOSE - Fire shield	1	28-1 to 28-670 inclusive
	63913-024	B	HOSE - Fire shield	1	28-671 to 28-1520 inclusive
	63913-040		HOSE - Fire shield	1	28-1521 to 28-1760 inclusive
-102	63913-018		HOSE - Fire shield	1	28-1 to 28-670 inclusive
	63913-023		HOSE - Fire shield	1	28-671 to 28-1056 inclusive
	63913-021		HOSE - Fire shield	1	28-1057 to 28-1520 inclusive
-103	63913-019		HOSE - Fire shield	1	28-1 to 28-670 inclusive
-104	63913-020	B	HOSE - Fire shield	1	28-1 to 28-1056 inclusive
	63913-025	B	HOSE - Fire shield	1	28-1057 to 28-1520 inclusive
	63913-040		HOSE - Fire shield	1	28-1521 to 28-1760 inclusive
-105	SKVB-244	A,C	BAFFLE ASSEMBLY - Fuel pump	1	28-1 to 28-367 inclusive
	23107-000	A,B	BAFFLE ASSEMBLY - Fuel pump	1	28-368 to 28-1520 inclusive
	62878-000	A	BAFFLE ASSEMBLY - Fuel pump	1	28-1521 to 28-1760 inclusive
-106	63633-013		HOSE - Fuel pump air blast	1	28-1 to 28-1520 inclusive
	63633-023		HOSE - Fuel pump air blast	1	28-1521 to 28-1760 inclusive

A - If Fuel Pump AC6440174 has been installed, order Part Number 99311-000.
 B - If Fuel Cooling Kit 756-807, 756-808 or 756-809 has been installed, order part for serial numbers 28-1521 to 28-1760 inclusive.
 C - If Fuel Cooling Kit 756-807 has been installed, order Part Number 62402-000.

When ordering, always specify Part Number, Description, and Serial Number of Aircraft

PIPER PARTS CATALOG

Figure and Index Number	Part Number	Code	NOMENCLATURE	No. Req.	SERIAL NUMBERS AFFECTED
52 -107	434-151		GROMMET - (AN931-5S-12)	1	28-1 to 28-915 inclusive
	434-132		GROMMET - (AN931-11-16)	1	28-916 to 28-1760 inclusive
-108	434-151		GROMMET - (AN931-5S-12)	1	28-1 to 28-729 inclusive
	434-132		GROMMET - (AN931-11-16)	1	28-730 to 28-1760 inclusive
-109	481-666		PUMP - Electric fuel (63843/63996/62220)	1	
-110	751-858	E	* GASKET - Cover (475-594)	1	
	751-872	F	* GASKET - Cover (479-136)	1	
-111	756-107	E	* SCREEN - Filter (475-634)	1	
	751-799	F	* SCREEN - Filter (479-135)	1	
-112	63633-023	A	HOSE - Electric fuel pump cooling	1	28-1521 to 28-1760 inclusive
-113	62215-000	A	COVER ASSEMBLY - Electric fuel pump cooling	1	28-1521 to 28-1760 inclusive
-114	454-994	A	CLAMP - (H-2-1160)	2	28-1521 to 28-1760 inclusive
-115	63901-014	A	HOSE ASSEMBLY - Flexible, engine pump outlet	1	28-1521 to 28-1760 inclusive
-116	63915-008	A	DISC - Firewall seal	2	28-1521 to 28-1760 inclusive
-117	99364-000	B	PLACARD - Fuel	2	
	99365-000	C	PLACARD - Fuel	2	
-118	99754-002		SUPPORT ASSEMBLY - Fuel selector cover	1	
-119	476-647	D	NIPPLE - (AN816-3D)	1	
-120	455-173	D	COUPLING - (AN910-1D)	1	
<p>A - Used on PA-28-150, PA-28-160 and PA-28-180 with serial numbers 28-1 to 28-1520 inclusive if Fuel Cooling Kit 756-807, 756-808 or 756-809 has been installed.</p> <p>B - Used on PA-28-150 airplanes only.</p> <p>C - Used on PA-28-160 and PA-28-180 airplanes only.</p> <p>D - Used with 3/16" I.D. hose.</p> <p>E - Used with fuel pumps stamped R-1 thru R-7 only.</p> <p>F - Used with fuel pumps stamped R-8 and up only.</p>					

When ordering, always specify Part Number, Description, and Serial Number of Aircraft

THIS PAGE INTENTIONALLY LEFT BLANK

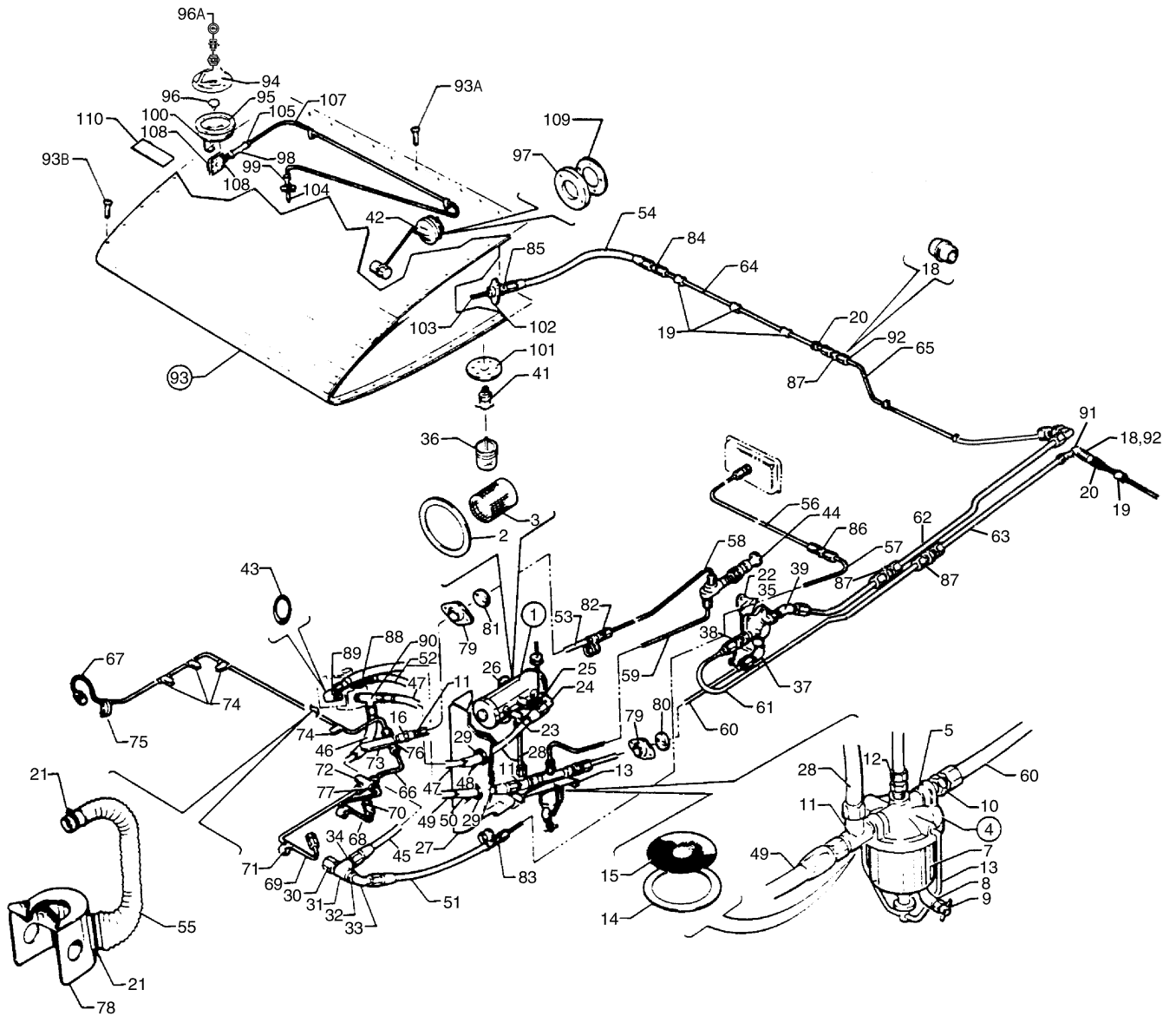


Figure 53. Fuel System Installation
(PA-28-150-160-180 - Serial Nos. 28-1761 and up)

THIS PAGE INTENTIONALLY LEFT BLANK

PIPER PARTS CATALOG

Figure and Index Number	Part Number	Code	NOMENCLATURE	No. Req.	SERIAL NUMBERS AFFECTED
53-	62300 65849	B	DRAWING - Fuel System Installation DRAWING - Fuel System Installation		28-1761 to 28-4377 inclusive 28-4378 and up
-1	481-666		PUMP - Electric fuel	1	
-2	751-872		* GASKET - Cover (479-136)	1	
-3	751-799		* SCREEN - Filter (479-135)	1	
-4	62301-003		GASCOLATOR ASSEMBLY - Fuel	1	
-5	14428-000		* COVER - Fuel strainer	1	
-6	62303-000		* BRACKET - Support	1	
-7	63479 000		* BOWL ASSEMBLY - E.Z. Drain	1	
-8	458-946		* * ELBOW - (AN915-1D)	1	
-9	492-312		* * VALVE - (CCA-36150) non-locking	1	
-10	476-678		* NIPPLE - (AN816-6)	1	
-11	488-490		* TEE - (AN826-6)	1	
-12	460-651		* CONNECTOR - (W/H 200 x 2)	1	
-13	494-644		* WIRE ASSEMBLY - Bail	1	
-14	462-049		* GASKET - (44PA)	1	
-15	35789-002		* SCREEN - Wire fuel strainer	1	
-16	455-173	C	COUPLING - (AN910-1D)	1	
-17	476-647	C	NIPPLE - (AN816-3D)	1	
-18	460-464		FERRULE - (6T12D)	4	
-19	463-395		GROMMET - (57NB-7)	6	
-20	434-159		GROMMET - (AN931-7S-11)	2	
-21	454-994		CLAMP - (H-2-1160)	2	
-22	99754-002		SUPPORT ASSEMBLY - Fuel selector cover	1	
-23	558-910		ELBOW - (MS20822-6-2)	1	
-24	458-868		ELBOW - (AN822-6)	1	
-25	451-872		ADAPTER - (W/H 3200 x 4 x 2)	1	
-26	62219-000		SPACER - Fuel pump mounting	1	
-27	62302-003		COVER ASSEMBLY - Fuel pump and gascolator	1	
-28	65152-011		TUBE ASSEMBLY - Fuel	1	
-29	434-142		GROMMET - (AN931-14-20)	1	
-30	476-705	A	NIPPLE - (C3069X4)	1	
-31	588-391	A	TEE - (C3709X4)	1	
	488-496	B	TEE - (PF3011-4)	1	
-32	453-680		REDUCER - (AN912-1C)	1	
-33	66768-000		ELBOW - Restricted (45°)	1	
-34	476-678		NIPPLE - (AN816-6)	1	
-35	491-947		VALVE - Fuel selector (6S122)	1	
-36	62924-002		SAMPLER - Fuel (used with Pet-Cock Type Drain)	1	
	67728-000		SAMPLER - Fuel (used with Flush Type Drain)	1	
-37	458-895		ELBOW - (AN822-6D)	1	
-38	476-662		NIPPLE - (AN816-6D)	1	
-39	458-892		ELBOW - (AN823-6D)	1	
-40	491-082		UNION - (6H12D)	1	
-41	492-312		DRAIN - Fuel tank (CCA-36150) (Pet-Cock Type) non-locking	1	
	491-806		DRAIN - Fuel tank (F391-187B) (Flush Type)	2	
-42	68101-002		SENDER - Fuel tank	2	

A - Used on PA-28-150 and PA-28-160 airplanes only.
 B - Used on PA-28-180 airplanes only.
 C - Used with 3/16" I.D. hose.

When ordering, always specify Part Number, Description, and Serial Number of Aircraft

PIPER PARTS CATALOG

Figure and Index Number	Part Number	Code	NOMENCLATURE	No. Req.	SERIAL NUMBERS AFFECTED
53 -43	462-060	A	O-RING - (MS29512-6)	1	
-44	451-103		PRIMER ASSEMBLY - (K-2406-SAE-2)	1	
-45	63901-014		HOSE ASSEMBLY - Engine pump outlet	1	
-46	63913-025		HOSE - Fire shield	1	
-47	63901-012		HOSE ASSEMBLY - Engine pump outlet	1	
-48	63913-040		HOSE - Fire shield	1	
-49	63901-019		HOSE ASSEMBLY - Engine pump inlet	1	
-50	63913-041		HOSE - Fire shield	1	
-51	63901-007		HOSE ASSEMBLY - To fuel pressure gauge	1	
-52	63913-011		HOSE - Flexible engine pump drain	1	
-53	17766-006	D	HOSE ASSEMBLY - To primer lines (1/8" I.D.)	1	
	63901-077	E	HOSE ASSEMBLY - To primer lines (3/16" I.D.)	1	
-54	63901-015		HOSE ASSEMBLY - Fuel line to fuel tank	2	
-55	63633-023		HOSE - Engine pump air	1	
-56	62928-000		LINE ASSEMBLY - Fuel pressure (1/4" x 46")	1	28-1761 to 28-4377 inclusive
	67700-036	B	LINE ASSEMBLY - Fuel pressure (1/4" x 52")	1	28-4378 to 28-5831 inclusive
	67700-055	B	LINE ASSEMBLY - Fuel pressure (1/4" x 57")	1	28-5832 and up
-57	63803-004		LINE ASSEMBLY - Fuel pressure (3/16" x 20")	1	28-1761 to 28-4377 inclusive
-58	63824-000		LINE ASSEMBLY - Primer to engine	1	28-1761 to 28-4377 inclusive
	63824-006	B	LINE ASSEMBLY - Primer to engine	1	28-4378 and up
-59	63825-000		LINE ASSEMBLY - Primer to gascolator	1	28-1761 to 28-4377 inclusive
	63825-006	B	LINE ASSEMBLY - Primer to gascolator	1	28-4378 and up
-60	62305-000		LINE ASSEMBLY - Selector valve to gascolator	1	
-61	62306-000	C	LINE ASSEMBLY - Selector valve to left wing	1	
	67700-057	B	LINE ASSEMBLY - Selector valve to left wing	1	28-7305001 and up
-62	62307-000	C	LINE ASSEMBLY - Selector valve to right wing	1	
	62307-003	B	LINE ASSEMBLY - Selector valve to right wing	1	28-7305001 and up
-63	62308-000		LINE ASSEMBLY - To left wing	1	
-64	65152-009		LINE ASSEMBLY - Fuel, wing	2	
-65	62309-000		LINE ASSEMBLY - Fuel, right wing	1	28-1761 to 28-4377 inclusive
	67700-039	B	LINE ASSEMBLY - Fuel, right wing	1	28-4378 and up
-66	63806-000		LINE ASSEMBLY - Primer, left	1	
-67	63807-000		LINE ASSEMBLY - Primer, right	1	
-68	63837-000		LINE ASSEMBLY - Primer, left	1	
-69	63838-000		LINE ASSEMBLY - Primer, left	1	
-70	31197-000		PRIMER JET	3	
-71	90797-002		SLEEVE - Primer line clamp	7	
-72	14470-000		BRACKET - Primer line tee	1	
-73	18078-000	D	CLAMP - Primer line tee	1	
	65429-002	E	CLAMP - Primer line tee	1	
-74	80032-069		CLAMP - Primer line	4	
-75	21230-000		CLAMP - Primer line	1	
-76	488-318	D	TEE - (AN824-2D)	1	
	588-436	E	TEE - (MS20825-2D)	1	
-77	460-652		TEE - (W/H 702 x 2)	1	

A - Used when Engine Fuel Pump Lycoming 75246 is installed.
 B - Used on PA-28-180 airplanes only.
 C - Used on PA-28-180 with serial numbers 28-1761 to 28-7205328 inclusive, PA-28-150 and PA-28-160 airplanes only.
 D - Used with 1/8" I.D. hose.
 E - Used with 3/16" I.D. hose.

When ordering, always specify Part Number, Description, and Serial Number of Aircraft

PIPER PARTS CATALOG

Figure and Index Number	Part Number	Code	NOMENCLATURE	No. Req.	SERIAL NUMBERS AFFECTED
53 -78	62878-000	D,E	BAFFLE ASSEMBLY - Engine fuel pump	1	
	99311-000	F	BAFFLE ASSEMBLY - Engine fuel pump	1	
-79	18321-000		PLATE - Firewall seal	4	
-80	63915-013		GROMMET - Firewall seal	2	28-1761 to 28-4377 inclusive
	63915-014	C	GROMMET - Firewall seal	2	28-4378 and up
-81	63915-011		GROMMET - Firewall seal	2	
-82	491-048	G	UNION - (AN815-2D)	1	
	484-348	H	REDUCER - (AN919-0D)	1	
-83	491-054		UNION - (AN815-3)	1	28-1761 to 28-4377 inclusive
	484-307	C	UNION - (AN919-2)	1	28-4378 and up
-84	491-052		UNION - (AN815-6D)	2	
-85	476-662		UNION - (AN816-6D)	2	
-86	484-351		UNION - (AN919-2D)	1	28-1761 to 28-4377 inclusive
-87	491-082		UNION - (6H12D)	2	
-88	458-948		ELBOW - 90° (K1-2-4)	1	
-89	458-868	A	ELBOW - (MS20822-6)	1	
	558-830	B	ELBOW - (RAC2000-6)	1	
-90	488-490	A	TEE - (AN826-6)	1	
	588-462	B	TEE - (RAC3300-6)	1	
-91	558-906		ELBOW - (6E12D)	1	
-92	477-670		NUT - (6B12D)	4	
-93	63998-016		TANK ASSEMBLY - Fuel, left wing	1	
	63998-017		TANK ASSEMBLY - Fuel, right wing	1	
-93a	415-312		SCREW - (MS27039-0812)	60	
-93b	415-309		SCREW - (MS27039-0809)	78	
-94	66817-000		CAP ASSEMBLY - Fuel tank	1	
-95	66815-000	E	** GASKET - Fuel cap	1	
-96a	39856-002	K	LOCK ASSEMBLY - Fuel cap	1	
-96	492-153	J	** VALVE - Fuel cap vent (VA3123)	1	
-97	462-019		* GASKET - Fuel gauge (1515832)	1	
-98	63913-193		* HOSE - Connector	1	
-99	63913-194		* HOSE - Connector	1	
	69785-001		* FILLER NECK ASSEMBLY	1	
-101	62033-000		* PLATE - Drain	1	
-102	63954-000		* OUTLET ASSEMBLY - Fuel tank	1	
-103	72091-000		* STRAINER - Fuel tank finger	1	

- A - Used when Engine Fuel Pump Lycoming 75148 is installed.
- B - Used when Engine Fuel Pump Lycoming 75246 is installed.
- C - Used on PA-28-180 airplanes only.
- D - Used on PA-28-160 with serial numbers 28-1761 to 28-1867 inclusive, and PA-28-180 with serial numbers 28-1761 to 28-1793, 28-1795, 1796, 1800, 1803, 1805 and 1806.
- E - If Fuel Pump AC6440174 has been installed, order Part Number 63422-00.
- F - Used on PA-28-150 with serial numbers 28-1761 and up, PA-28-160 with serial numbers 28-1868 and up, and PA-28-180 with serial numbers 28-1794, 1797, 1798, 1799, 1801, 1802, 1804, 1807 and up, and PA-28-140.
- G - Used with 1/8" I.D. hose.
- H - Used with 3/16" I.D. hose.

When ordering, always specify Part Number, Description, and Serial Number of Aircraft

PIPER PARTS CATALOG

Figure and Index Number	Part Number	Code	NOMENCLATURE	No. Req.	SERIAL NUMBERS AFFECTED	
53	-104	36625-002	* VENT ASSEMBLY - Fuel tank left	1		
		36625-003	* VENT ASSEMBLY - Fuel tank right	1		
	-105	554-861	* CLAMP - (SAE TY F-4)	4		
	-106	451-857	* ADAPTER - (AN840-4D) with bead	1		
		560-951	* ADAPTER - (1068 X 6 X 2) without bead	1		
	-107	62060-000		* VENT TUBE - Left (with bead)	1	
		62060-001		* VENT TUBE - Right (with bead)	1	
		62060-004		* VENT TUBE - Left (without bead)	1	
		62060-005		* VENT TUBE - Right (without bead)	1	
		-108	62059-000	* FITTING - Fuel line	1	
	-109	62044 000	* PLATE - Fuel tank	1		
	-110	99364-000	A	PLACARD - Fuel	2	
		99365-000	B	PLACARD - Fuel	2	
		69669-063	C	PLACARD - Fuel	2	
				<p>A - Used on PA-28-150 airplanes only. B - Used on PA-28-160 and PA-28-180 with serial numbers 28-1761 to 28-7205328 inclusive. C - Used on PA-28-180 with serial numbers 28-7305001 and up.</p>		

When ordering, always specify Part Number, Description, and Serial Number of Aircraft

PIPER PARTS CATALOG

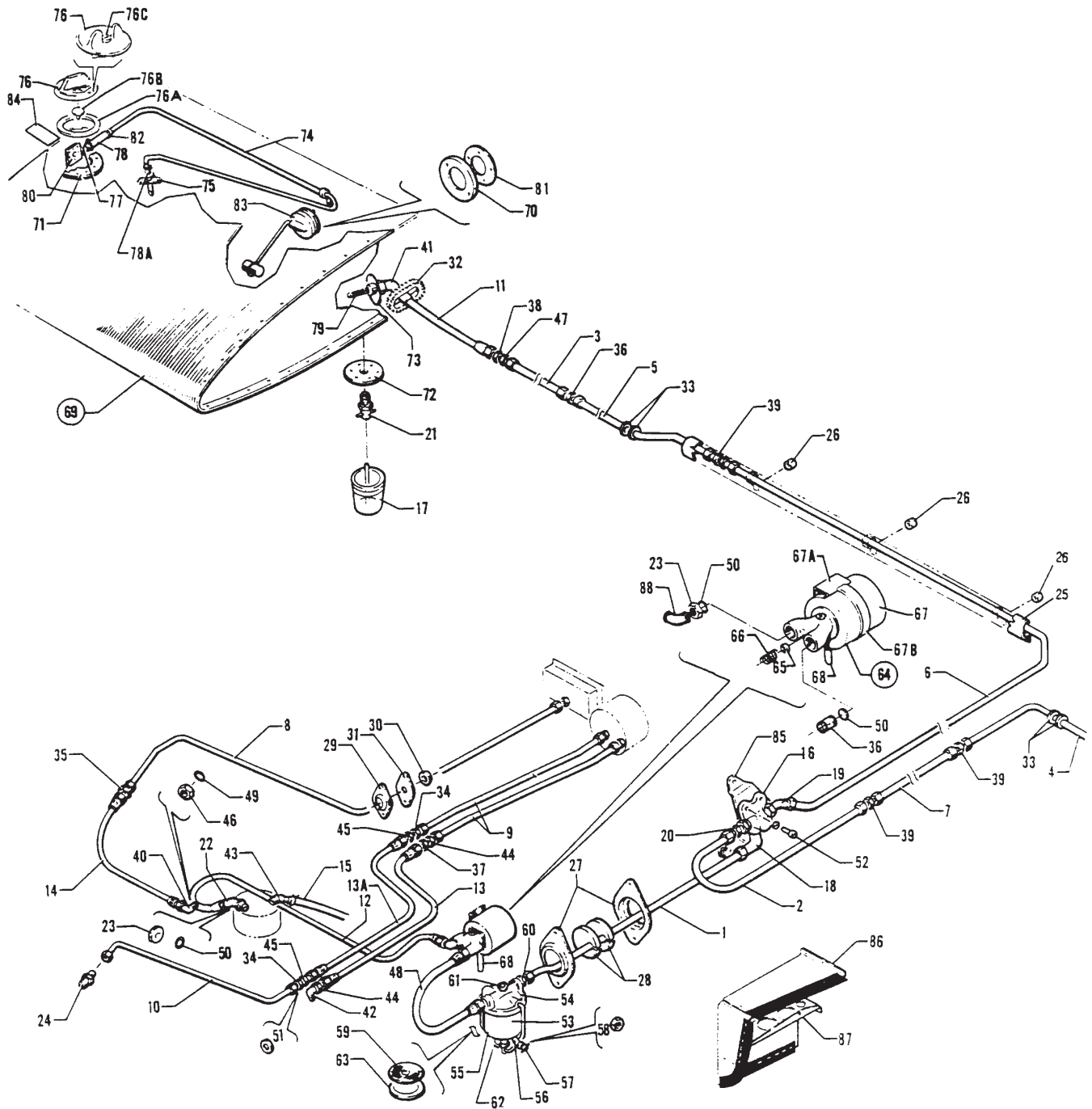


Figure 54. Fuel System Installation

THIS PAGE INTENTIONALLY LEFT BLANK

PIPER PARTS CATALOG

Figure and Index Number	Part Number	Code	NOMENCLATURE	No. Req.	SERIAL NUMBERS AFFECTED
54-	67621 67802	A B	DRAWING - Fuel System Installation DRAWING - Fuel System Installation		
-1	62305-000		TUBE ASSEMBLY - Fuel line	1	
-2	62306-000	C	TUBE ASSEMBLY - Fuel line	1	
	67700-057	B	TUBE ASSEMBLY - Fuel line	1	28R-7235001 and up
-3	67700-002		TUBE ASSEMBLY - Fuel line	2	
-4	67700-003		TUBE ASSEMBLY - Fuel line	1	
-5	67700-005		TUBE ASSEMBLY - Fuel line	1	
-6	67700-004	C	TUBE ASSEMBLY - Fuel line	1	
	67700-056	B	TUBE ASSEMBLY - Fuel line	1	28R-7235001 and up
-7	67700-025		TUBE ASSEMBLY - Fuel line	1	
-8	67700-026		TUBE ASSEMBLY - Fuel line	1	
-9	67700-028		TUBE ASSEMBLY - Fuel line	2	
-10	67700-037		TUBE ASSEMBLY - Fuel line	1	28R-30005 to 28R-30399 incl.
-11	63901-046		HOSE ASSEMBLY - Fuel line	2	
-12	63901-038		HOSE ASSEMBLY - Fuel line	1	
-13	63901-039		HOSE ASSEMBLY - Fuel line	1	
-13a	63901-040		HOSE ASSEMBLY - Fuel line (24-1/2" long)	1	28R-30005 to 28R-30399 incl.
	63901-045		HOSE ASSEMBLY - Fuel line (38" long)	1	28R-30400 and up
-14	63901-041		HOSE ASSEMBLY - Fuel line	1	
-15	63913-003		HOSE - Fuel Line	1	
-16	491-947		VALVE - Fuel selector (6S122)	1	
-17	62924-002		SAMPLER - Fuel (used with Pet Cock Type Drain)	1	
	67728-000		SAMPLER - Fuel (used with Flush Type Drain)	1	
-18	458-895		ELBOW - (AN822-6D)	1	
-19	458-892		ELBOW - (AN823-6D)	1	
-20	476662		NIPPLE - (AN816-6D)	1	
-21	492-312		DRAIN - Fuel tank (CCA-36150) (Pet-Cock Type) non-locking	2	
	491-806		DRAIN - Fuel tank (F391-187B) (Flush Type)	2	
-22	458-864		ELBOW - (AS1040-060)	1	
-23	477-631		NUT - (AN924-6)	2	
-24	67476-000		NIPPLE - Restricted	1	28R-30400 and up
-25	67661-000		GUARD - Fuel line	1	
-26	67656-002		SPACER - Tabulated	3	
-27	18321-000		RETAINER - Firewall disc	2	
-28	63915-014		DISC - Firewall seal	2	
-29	66789-000		PLATE - Firewall seal grommet	2	
-30	68770-018		GROMMET - Firewall seal grommet	2	
-31	22105-010		GASKET - Firewall seal	1	
-32	63976-024		GROMMET - Caterpillar	2	
-33	434-133		GROMMET - (AN931-6-16)	4	

A - Used on PA-28R-180 airplanes only.
 B - Used on PA-28R-200 airplanes only.
 C - Used on PA-28R-180 with serial numbers 28R-30005 to 28R-7130019 inclusive and PA-28R-200 with serial numbers 28R-30482, 28R-35001 to 28R-7135238 inclusive.

When ordering, always specify Part Number, Description, and Serial Number of Aircraft

PIPER PARTS CATALOG

Figure and Index Number	Part Number	Code	NOMENCLATURE	No. Req.	SERIAL NUMBERS AFFECTED
54 -34	2339-000		UNION - Flared tube (Special)	2	
-35	491-055		UNION - (AN815-4)	1	
-36	491-056		UNION - (AN815-6)	3	
-37	491-064		UNION - (AN832-2)	1	
-38	491-062		UNION - (AN832-6D)	2	
-39	491-082		UNION - (6H12D)	3	
-40	69033-000		ELBOW - 90 degrees (restricted)	1	
-41	458-895		ELBOW - 90 degrees (AN822-6D)	2	
-42	458-876		ELBOW - 90 degrees (AN833-2D)	1	
-43	458-940		ELBOW - 45 degrees (AN844-4D)	1	
-44	477-627		NUT - (AS5178-02)	2	
-45	477-628		NUT - (AN924-3)	2	
-46	477-629		NUT - (AN924-4)	1	
-47	477-620		NUT - (AN924-6D)	2	
-48	63901-014		HOSE ASSEMBLY - Fuel line	1	
-49	462-058		* O-RING - (MS2512-4)	1	
-50	484-843		* O-RING - (MS9512-6)	3	
-51	690-629		WASHER - Lock (NAS1149F0663P)	2	
-52	416-210		SCREW - (AN502-10-12)	2	
	407-124		WASHER - Lock (AN935-10L)	2	
-53	67604-002		GASCOLATOR ASSEMBLY - Fuel	1	
-54	87477-002		* COVER - Fuel strainer	1	
-55	63479-000		* BOWL ASSEMBLY - Gascolator	1	
-56	458-946		** ELBOW - (AN915-1D)	1	
-57	492-312		** VALVE - (CCA-36150) Drain, non-locking	1	
-58	477-677		** NUT - Tru seal fitting (1/8" pipe)	1	
-59	35789-002		* SCREEN - Wire fuel strainer	1	
-60	476-678		* NIPPLE - (AN816-6)	2	
-61	580-887		* PLUG - (AN932-2)	1	
-62	494-644		* WIRE ASSEMBLY - Bail	1	
-63	462-049		* GASKET - (44 PA)	1	
-64	67881-005		PUMP ASSEMBLY - Electric, fuel	1	
-65	756-155		* SEAL - Shaft (8500)	1	
-66	757-561		* SPRING - Valve (8707)	1	
-67	67881-004		* MOTOR ASSEMBLY - Fuel pump	1	
-67a	67882-002		** BRACKET ASSEMBLY - Fuel pump mounting	2	
-67b	554-984		** CLAMP - (SAE TY F-36)	1	
-68	69015-005		HOSE - Fuel pump drain	1	
-69	63998-016		TANK ASSEMBLY - Left wing fuel	1	
	63998-017		TANK ASSEMBLY - Right wing fuel	1	
-70	462-019		* GASKET - Fuel gauge (1515832)	1	
-71	69785-001		* FILLER NECK ASSEMBLY	1	
-72	62033-000		* PLATE - Drain	1	
-73	63954-000		* OUTLET ASSEMBLY - Fuel tank	1	
-74	62060-000		* VENT TUBE - Left (with bead)	1	
	62060-001		* VENT TUBE - Right (with bead)	1	
	62060-004		* VENT TUBE - Left (without bead)	1	
	62060-005		* VENT TUBE - Right (without bead)	1	
-75	36625-002		* VENT ASSEMBLY - Fuel tank left	1	
	36625-003		* VENT ASSEMBLY - Fuel tank right	1	

When ordering, always specify Part Number, Description, and Serial Number of Aircraft

PIPER PARTS CATALOG

Figure and Index Number	Part Number	Code	NOMENCLATURE	No. Req.	SERIAL NUMBERS AFFECTED
54 -76	66817-000		CAP ASSEMBLY - Fuel tank (non-locking)	1	
	39830-800	B,E	CAP ASSEMBLY KIT - Fuel tank (with locks)	1	28-7435001 and up
-76a	66815-000	C	GASKET - Fuel cap	1	
	39829-002	D	GASKET - Fuel cap	1	
-76b	492-153	C	* * VALVE - Fuel cap vent (VA3123)	1	
-76c	39856-002	D	LOCK ASSEMBLY - Fuel cap	2	
-77	451-857		* ADAPTER - (AN840-4D) with bead	1	
	560-951		* ADAPTER - (1068 x 6 x 2) without bead	1	
-78	63913-193		* HOSE - Connector	1	
-78a	63913-194		* HOSE - Connector	1	
-79	72091-000		* STRAINER - Fuel tank finger	1	
-80	62059 000		* FITTING - Fuel Line	1	
-81	62044 000		* PLATE - Fuel tank	1	
-82	554-861		* CLAMP - (SAE TY F-4)	4	
-83	68101-002		SENDER - Fuel tank	2	
-84	99367-000	A	PLACARD - Fuel	2	
	69669-063	B	PLACARD - Fuel	2	28R-7235001 and up
-85	99754-002		SUPPORT ASSEMBLY - Fuel selector cover	1	
-86	67881-006		COVER ASSEMBLY - Fuel pump	1	
-87	67603-000		BRACKET - Gascolator assembly	1	
-88	458-936		* ELBOW - (AN833-6)	1	
<p>A - Used on PA-28R-180 with serial numbers 28R-30005 to 28R-7130019 inclusive, and PA-28R-200 with serial numbers 28R-30482, 28R-35001 to 28R-7135238 inclusive.</p> <p>B - Used on PA-28R-200 airplanes only.</p> <p>C - Used with Fuel Cap, Part Number 66817 only.</p> <p>D - Used with fuel Cap Assembly Kit Part Number 39830-800 only.</p> <p>E - Kit includes 1(2) cap assemblies with matching locks.</p>					

When ordering, always specify Part Number, Description, and Serial Number of Aircraft

THIS PAGE INTENTIONALLY LEFT BLANK

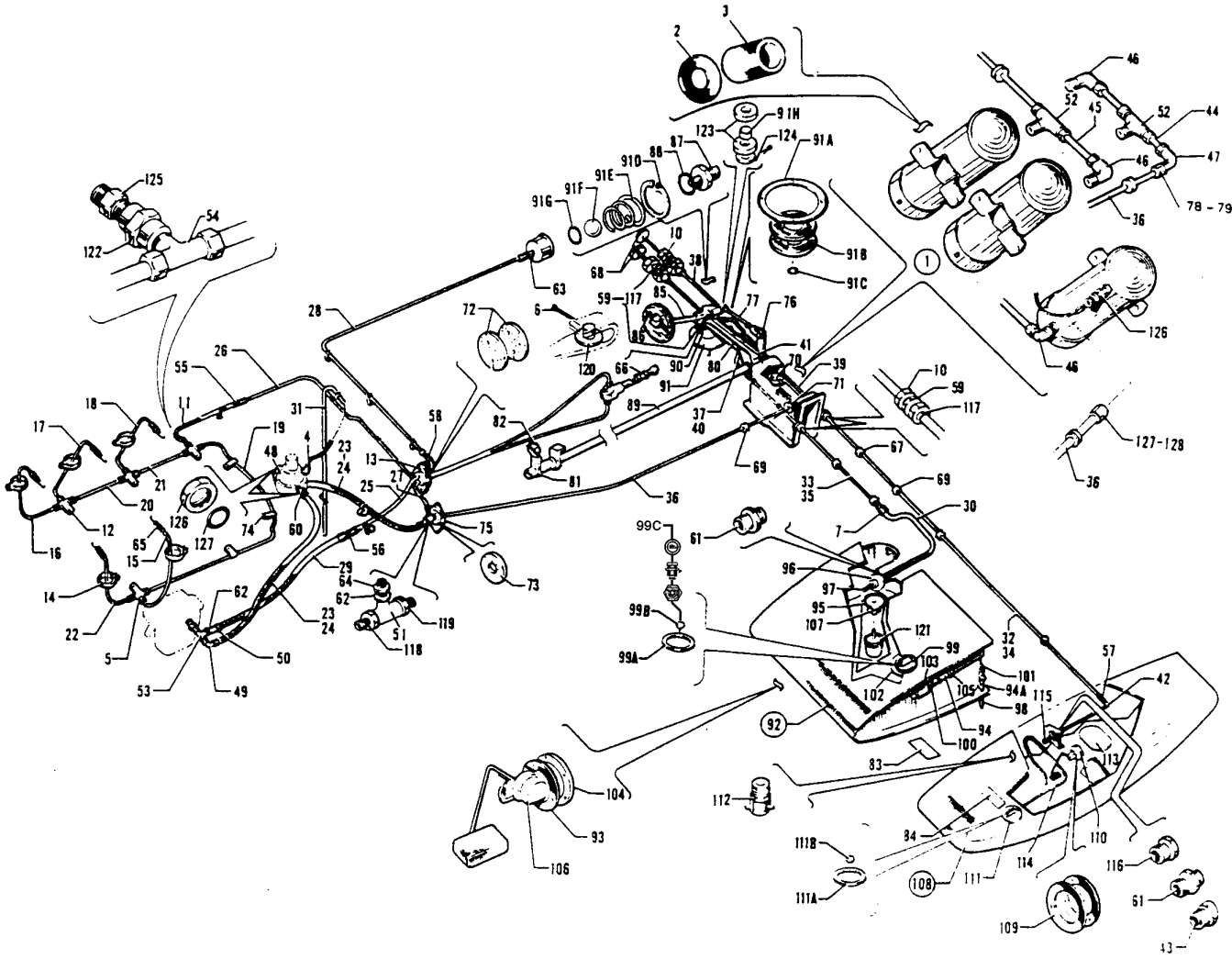


Figure 55. Fuel System Installation

THIS PAGE INTENTIONALLY LEFT BLANK

PIPER PARTS CATALOG

Figure and Index Number	Part Number	Code	NOMENCLATURE	No. Req.	SERIAL NUMBERS AFFECTED
55-	65160 65562 69172 69254 65405 65560 69100 68084		DRAWING - Fuel System Installation DRAWING - Fuel System Installation DRAWING - Fuel System Installation DRAWING - Fuel System Installation DRAWING - Fuel Selector Valve Installation DRAWING - Fuel Selector Valve Installation DRAWING - Fuel Selector Valve Installation DRAWING - Fuel Selector Valve Installation		28-10003 to 28-10719 incl. 28-10720 to 28-10851 incl. 28-10852 to 28-11039 incl. 28-11040 and up 28-10003 to 28-10719 incl. 28-10720 to 28-10785 incl. 28-10786 to 28-11300 incl. 28-11301 and up
-1	481-701		PUMP - Electric fuel (480-543)	2	28-10003 to 28-10719 incl.
	481-701		PUMP - Electric fuel (480-543)	1	28-10720 and up
-2	751-872		* GASKET - Cover (479-136)	1	
-3	751-799		SCREEN - Filter (479-135)	1	
	458-948		ELBOW - (1K1-2-4)	1	
-5	488-318		TEE - (AN824-2D)	3	
-6	424-058		COTTER PIN - (MS24665-281)	1	
-7	491-052		UNION - (AN815-6D)	2	28-10003 to 28-10719 incl.
	484-359		REDUCER - (AN919-12D)	2	28-10720 and up
-8	477-631		NUT - (AN924-6)	2	28-10720 to 28-7510059 incl.
-9	462-060		GASKET - (MS29512-6)	2	28-10720 to 28-7510059 incl.
-10	477-670		NUT - (B12-D)	8	28-10003 to 28-10719 incl.
-11	17766-006		HOSE ASSEMBLY - Primer line connection (1/8" I.D.)	1	
	63901-077		HOSE ASSEMBLY - Primer line connection (3/16" I.D.)	1	
-12	18078-000		CLAMP	4	28-10003 to 28-10152 incl.
	65429-000		CLAMP	4	28-10153 and up
-13	18321-000		PLATE - Firewall disc	2	
-14	21230-000		CLAMP	5	
-15	65364-004		LINE ASSEMBLY - Engine primer, left, center	1	
-16	65364-003		LINE ASSEMBLY - Engine primer, right, front	1	
-17	65364-004		LINE ASSEMBLY - Engine primer, right, center	1	
-18	65364-005		LINE ASSEMBLY - Engine primer, right, rear	1	
-19	65365-002		LINE ASSEMBLY - Engine primer, left	1	
-20	65365-003		LINE ASSEMBLY - Engine primer, right, center	1	
-21	65365-004		LINE ASSEMBLY - Engine primer, right, rear	1	
-22	65366-000		LINE ASSEMBLY - Engine primer, left, front	1	
-23	63901-013		HOSE ASSEMBLY - Engine fuel pump	2	28-10003 to 28-10719 incl.
	63901-023		HOSE ASSEMBLY - Engine pump up electric pump line	1	28-10720 and up
	63901-024		HOSE ASSEMBLY - Engine pump to carburetor	1	28-10720 and up
-24	63913-024		HOSE - Fire shield	2	28-10003 to 28-10719 incl.
-25	63803-004		LINE ASSEMBLY - Fuel pressure (3/16" x 20")	1	28-10003 to 28-11039 incl.
-26	63824-003		LINE ASSEMBLY - Primer	1	28-10003 to 28-11039 incl.
	63824-008		LINE ASSEMBLY - Primer	1	28-11040 and up
-27	63825-003		LINE ASSEMBLY - Primer	1	28-10003 to 28-11039 incl.
	63825-006		LINE ASSEMBLY - Primer	1	28-11040 and up
-28	65281-000		LINE ASSEMBLY - Fuel pressure (1/4" x 43-3/4")	1	28-10003 to 28-10486 incl.
	62928-000		LINE ASSEMBLY - Fuel pressure (1/4" x 46")	1	28-10487 to 28-11039 incl.
	67700-036		LINE ASSEMBLY - Fuel pressure (1/4" x 52")	1	28-11040 and up

When ordering, always specify Part Number, Description, and Serial Number of Aircraft

PIPER PARTS CATALOG

Figure and Index Number	Part Number	Code	NOMENCLATURE	No. Req.	SERIAL NUMBERS AFFECTED
55 -29	63901-007		HOSE ASSEMBLY - Carburetor to pressure gauge	1	28-10003 to 28-11039 incl.
	63901-044		HOSE ASSEMBLY - Carburetor to pressure gauge	1	28-11040 and up
-30	63901-015		HOSE ASSEMBLY - Fuel tank to fuel line	2	
-31	63913-026		HOSE - Engine fuel pump vent	1	
-32	65152-002		LINE ASSEMBLY - Valve to tip tank, left	1	28-10003 to 28-10560 incl.
	65152-012		LINE ASSEMBLY - Valve to tip tank, left	1	28-10561 to 28-10719 incl.
	65152-014		LINE ASSEMBLY - Valve to tip tank, left	1	28-10720 to 28-10851 incl.
	69166-000		LINE ASSEMBLY - Valve to tip tank, left	1	28-10852 and up
-33	65152-003		LINE ASSEMBLY - Valve to main tank, left	1	28-10003 to 28-10560 incl.
	65152-013		LINE ASSEMBLY - Valve to main tank, left	1	28-10561 to 28-10719 incl.
	65152-017		LINE ASSEMBLY - Valve to main tank, left	1	28-10720 and up
-34	65152-004		LINE ASSEMBLY - Valve to tip tank, right	1	28-10003 to 28-10719 incl.
	65152-020		LINE ASSEMBLY - Valve to tip tank, right	1	28-10720 to 28-10851 incl.
	69166-001		LINE ASSEMBLY - Valve to tip tank, right	1	28-10852 and up
-35	65152-005		LINE ASSEMBLY - Valve to main tank, right	1	28-10003 to 28-10232 incl.
	65152-009		LINE ASSEMBLY - Valve to main tank, right	1	28-10233 to 28-10719 incl.
	65152-021		LINE ASSEMBLY - Valve to main tank, right	1	28-10720 and up
-36	65152-006		LINE ASSEMBLY - Engine pump to electric pump	1	28-10003 to 28-10719 incl.
	65578-000		LINE ASSEMBLY - Engine pump to electric pump	1	28-10720 to 28-7210033 incl.
	65578-003		LINE ASSEMBLY - Engine pump to electric pump	1	28-7310001 and up
-37	65153-000		LINE ASSEMBLY - Valve to main tank, right	1	28-10003 to 28-10232 incl.
	65153-003		LINE ASSEMBLY - Valve to main tank, right	1	28-10233 to 28-10719 incl.
	68764-000		LINE ASSEMBLY - Valve to main tank, right	1	28-10720 and up
-38	65154-000		LINE ASSEMBLY - Valve to tip tank, right	1	28-10003 to 28-10719 incl.
	68765-000		LINE ASSEMBLY - Valve to tip tank, right	1	28-10720 to 28-10851 incl.
	68765-002		LINE ASSEMBLY - Valve to tip tank, right	1	28-10852 and up
-39	65155-000		LINE ASSEMBLY - Valve to tip tank, left	1	28-10003 to 28-10560 incl.
	65453-000		LINE ASSEMBLY - Valve to tip tank, left	1	28-10561 to 28-10719 incl.
	65575-000		LINE ASSEMBLY - Valve to tip tank, left	1	28-10720 and up
-40	65412-000		LINE ASSEMBLY - Valve to main tank, left	1	28-10003 to 28-10560 incl.
	65454-000		LINE ASSEMBLY - Valve to main tank left	1	28-10561 to 28-10719 incl.
	65576-000		LINE ASSEMBLY - Valve to main tank, left	1	28-1072091 and up
-41	65157-000	A	LINE ASSEMBLY - Valve to electric pump (19" length)	1	28-10003 to 28-10719 incl.
	65757-000	B	LINE ASSEMBLY - Valve to electric pump (10-1/2" length)	1	28-10003 to 28-10719 incl.
	65756-000	B	LINE ASSEMBLY - Valve to electric pump (5" length)	1	28-10003 to 28-10719 incl.
	65577-000		LINE ASSEMBLY - Valve to electric pump	1	28-10720 and up
-42	69183-000	C	LINE ASSEMBLY - Tip tank	2	28-10003 to 28-10719 incl.
	69184-000	C	LINE ASSEMBLY - Tip tank	2	28-10720 to 28-10851 incl.
-43	65816-000	C	FITTING - Tip tank line assembly	2	28-10003 to 28-10851 incl.
-44	65152-008		LINE - Fuel electric pump (1.75" L)	1	28-10003 to 28-10719 incl.
-45	65152-007		LINE - Fuel electric pump (3.15" L)	2	28-10003 to 28-10719 incl.
-46	558-905		ELBOW - (6D12-D)	2	28-10003 to 28-10719 incl.
	558-918		ELBOW - (8-4D12-D)	1	28-10720 to 28-10785 incl.
	68762-000		ELBOW	1	28-10786 and up

A - Used if Fuel Selector Valve 1H10 is installed.
 B - Used if Fuel Selector Valve 1H26-2 is installed.
 C - When ordering, ascertain that Wing Tip Tank Modification Kit 757-151 or 757-152 has been installed per Piper Service Bulletin 253.

When ordering, always specify Part Number, Description, and Serial Number of Aircraft

PIPER PARTS CATALOG

Figure and Index Number	Part Number	Code	NOMENCLATURE	No. Req.	SERIAL NUMBERS AFFECTED
55 -47	558-906		ELBOW - (6E12-D)	1	28-10003 to 28-10719 incl.
-48	458-868		ELBOW - (AN822-6)	1	28-10003 to 28-10719 incl.
	458-936		ELBOW - (AN833-6)	1	28-10720 to 28-7510091 incl.
	558-830		ELBOW - (RAC2000-6)	1	28-7510092 and up
-49	458-871		ELBOW - (AN823-6)	1	
-50	66768-000		ELBOW - Restricted (45 degrees)	1	28-10003 to 28-10719 incl.
	69504-000		ELBOW - Restricted (90 degrees)	1	28-10720 and up
-51	488-483		TEE - (60TX-S)	1	28-10003 to 28-10719 incl.
	588-391		TEE - (C3709X4)	1	28-10720 and up
-52	488-487		TEE - (6-012-D)	2	28-10003 to 28-10719 incl.
-53	488-496		TEE - (W/H 3750 x 4)	1	28-10003 to 28-10719 incl.
-54	488-318	A	TEE - (AN824-2D)	1	
	588-436	B	TEE - (MS20825-2D)	1	
-55	491-048	A	UNION - (AN815-2D)	1	28-10003 to 28-10719 incl.
	491-071	A	UNION - (AN815-2)	1	28-10720 and up
	484-348	B	REDUCER - (AN919-0D)	1	28-10003 and up
-56	491-049		UNION - (AN815-3D)	1	28-10003 to 28-10719 incl.
	491-054		UNION - (AN815-3)	1	28-10720 to 28-11039 incl.
	484-307		REDUCER - (AN919-2)	1	28-11040 and up
-57	491-052		UNION - (AN815-6D)	2	28-10003 to 28-10719 incl.
	491-053		UNION - (AN815-8D)	2	28-10720 to 28-10851 incl.
-58	484-351		REDUCER - (AN919-2D)	1	28-10003 to 28-11039 incl.
-59	491-082		UNION - (6H12-D)	2	28-10003 to 28-10719 incl.
	491-084		UNION - (8H12-D)	4	28-10720 and up
-60	476-678		NIPPLE - (AN816-6)	1	28-10003 to 28-10719 incl.
	458-864		ELBOW - (AS1040-0606)	1	28-10720 to 28-7510091 incl.
	558-831		ELBOW - (RAC4500-6)	1	28-7510092 and up
-61	476-662		NIPPLE - (AN816-6D)	4	
-62	453-680		ADAPTER - (AN912-1C)	2	
-63	484-348		REDUCER - (AN919-0D)	1	28-10003 to 28-10486 incl.
-64	460-651		CONNECTOR - (W/H 200 x 2)	1	
-65	31197-000		PRIMER JET	5	
-66	451-103		PRIMER ASSEMBLY - (K-2406-SAE-2)	1	
-67	463-395		GROMMET - (G57NB-7)	22	28-10003 to 28-10719 incl.
	453-831		GROMMET - (SB687-9)	23	28-10720 and up
-68	463-394		GROMMET - (G57NB-10)	4	28-10003 to 28-10719 incl.
	463-401		GROMMET - (2426)	4	28-10720 and up
-69	434-136		GROMMET - (AN931-9-13)	2	28-10003 to 28-10719 incl.
	434-135		GROMMET - (AN931-8-13)	2	28-10720 and up
-70	434-134		GROMMET - (AN931-6-10)	1	28-10003 to 28-10719 incl.
	463-401		GROMMET - (2426)	1	28-10720 and up
-71	434-133		GROMMET - (AN931-6-16)	1	28-10003 to 28-10719 incl.
	434-135		GROMMET - (AN931-8-13)	1	28-10720 and up
-72	63915-002		DISC - Firewall	2	28-10003 to 28-11039 incl.
	63915-018		DISC - Firewall	2	28-11040 and up
-73	63915-007		DISC - Firewall	1	28-10003 to 28-10719 incl.
	63915-012		DISC - Firewall	1	28-10720 and up
-74	80032-069		CLAMP	3	
-75	65344-000		PLATE - Firewall	1	

A - Used with 1/8" I.D. hose.
B - Used with 3/16" I.D. hose.

When ordering, always specify Part Number, Description, and Serial Number of Aircraft

PIPER PARTS CATALOG

Figure and Index Number	Part Number	Code	NOMENCLATURE	No. Req.	SERIAL NUMBERS AFFECTED	
55 -76	65392-000	A	ARM ASSEMBLY - Fuel selector control	1	28-10003 to 28-10785 incl.	
	69092-000	A	ARM ASSEMBLY - Fuel selector control	1	28-10786 to 28-11300 incl.	
	69092-002		ARM ASSEMBLY - Fuel selector control	1	28-11301 and up	
	65407-000	B	ROD ASSEMBLY - Fuel selector control	1	28-10003 to 28-10785 incl.	
-77	65407-005		ROD ASSEMBLY - Fuel selector control	1	28-10786 and up	
-78	477-670		NUT - (6B12-D)	1	28-10003 to 28-10719 incl.	
-79	460-464		FERRULE - (6T12-D)	1	28-10003 to 28-10719 incl.	
-80	65389-000	B	BRACE ASSEMBLY - Fuel selector control	1	28-10003 to 28-10785 incl.	
	69094-002		BRACE ASSEMBLY - Fuel selector control	1	28-10786 and up	
-81	65401-000	A	INDICATOR ASSEMBLY - Fuel selector control	1	28-10002 to 28-10785 incl.	
	69088-000	A	INDICATOR ASSEMBLY - Fuel selector control	1	28-10786 to 28-11300 incl.	
	69088-005		INDICATOR ASSEMBLY - Fuel selector control	1	28-11301 and up	
-82	69181-000	E	* KNOB - Fuel selector (214)	1		
-83	99364-000		PLACARD - Main fuel tank, maximum capacity 25 gallons	2	28-10003 to 28-7210033 incl.	
	69669-064		PLACARD - Main fuel tank, usable capacity 24 gallons	2	28-7310001 and up	
-84	99366-000		PLACARD - Tip fuel tank	2		
-85	65289-00		HANDLE - Quick drain	1		
-86	763-883		COVER ASSEMBLY KIT - Quick drain	1	28-10003 to 28-10660 incl.	
	65461-019		COVER ASSEMBLY - Quick drain, red	1	28-10661 to 28-7610206 incl.	
	65461-006		COVER ASSEMBLY - Quick drain, blue	1	28-10661 to 28-11383 incl.	
	65461-007		COVER ASSEMBLY - Quick drain, brown	1	28-10661 to 28-11300 incl.	
	65461-019		COVER ASSEMBLY - Quick drain, green	1	28-11301 to 28-7610206 incl.	
	65461-019		COVER ASSEMBLY - Quick drain, gold	1	28-11048 to 28-7610206 incl.	
	65461-019		COVER ASSEMBLY - Quick drain, black	1	28-11301 and up	
	65461-015		COVER ASSEMBLY - Quick drain, white	1	28-11301 to 28-7610206 incl.	
	65461-019		COVER ASSEMBLY - Quick drain, blue/green	1	28-711001 to 28-7610206 incl.	
	-87	484-352	C	REDUCER - (AN919-7D)	5	28-10003 to 28-10719 incl.
		484-359	D	REDUCER - (AN919-12D)	4	28-10003 to 28-10719 incl.
		491-053		UNION - (AN815-8D)	4	28-10720 and up
	-88	484-697	C	O-RING - (AN6227-9)	5	28-10003 to 28-10719 incl.
		462-061	D	O-RING - (MS29512-8)	4	28-10003 to 28-10719 incl.
		462-061		O-RING - (MS29512-8)	4	28-10720 and up

A - No longer available. Order part for serial number 28-11301 and up if Fuel Selector Control Modification Kit has been installed per Piper Service Bulletin 376. If Fuel Selector Control Modification Kit has not been installed per Piper Service Bulletin 376, order Kit 760-681 for serial numbers 28-10003 to 28-10785 inclusive, Kit 760-682 for serial numbers 28-10786 to 28-11039 inclusive, or Kit 760-683 for serial numbers 28-11040 to 28-11300 inclusive.

B - No longer available. Order part for serial numbers 28-10786 and up if Fuel Selector Control Modification Kit has been installed per Piper Service Bulletin 376. If Fuel Selector Control Modification Kit has not been installed per Piper Service Bulletin 376, order Kit 760-781.

C - Used if Fuel Selector Valve 2H10 is installed.

D - Used if Fuel Selector Valve 1H26-2 is installed.

E - Reference Piper Service Bulletin 285, latest revision, for Fuel Selector Control Stop Assembly Kit 760-251. Reference Piper Service Bulletin 376, latest revision, for Fuel Selector Control Modification Kit 760-681/682.

When ordering, always specify Part Number, Description, and Serial Number of Aircraft

PIPER PARTS CATALOG

Figure and Index Number	Part Number	Code	NOMENCLATURE	No. Req.	SERIAL NUMBERS AFFECTED
55 -89	65396-000	E	TORQUE TUBE - Fuel selector control	1	28-10003 to 28-10785 incl.
	69093-000	E	TORQUE TUBE - Fuel selector control	1	28-10786 to 28-11300 incl.
	69093-002		TORQUE TUBE - Fuel selector control	1	28-11301 to 28-7210033 incl.
	76321-000		TORQUE TUBE - Fuel selector control	1	28-7310001 and up
-90	757-148	C	FUEL VALVE KIT	1	28-10003 to 28-10719 incl.
	760-895	C	FUEL VALVE KIT	1	28-10720 to 28-7410093 incl.
	492-290		FUEL VALVE - (1H65-4)	1	28-7410094 and up
-91	758-534	G	* BOWL - Fuel filter (A1-90-1)	1	
-91a	751-871	A,B	* GASKET Filter	1	
	762-503	D	* O-RING - (Viton 2-043)	1	
-91b	751-796	A	* FILTER ASSEMBLY	1	
	754-816	B,D	* FILTER ASSEMBLY	1	
-91c	755-919		* O-RING - (Viton)	1	
-91d	756-036	B	* RING - Snap, inlet port (N5000-68)	4	
-91e	757-632	B	* SPRING - Inlet port	4	
-91f	758-176	B	* BALL - Inlet port	4	
-91g	756-035	B	O-RING - Inlet port	4	
-91h	63900-133		* BUSHING - Rod assembly	1	
-92	63998-016		TANK ASSEMBLY - Left wing fuel	1	
	63998-017		TANK ASSEMBLY - Right wing fuel	1	
-93	462-019		GASKET - Fuel gauge (1515832)	1	
-94	63913-193		* HOSE - Connector	1	
-94a	63913-194		* HOSE - Connector	1	
-95	62033-000		* PLATE - Drain	1	
-96	63954-000		* OUTLET ASSEMBLY - Fuel tank	1	
-97	72091-000		* STRAINER - Fuel tank finger	1	
-98	36625-002	K	* VENT ASSEMBLY - Fuel tank, left	1	
	36625-003	K	* VENT ASSEMBLY - Fuel tank, right	1	
-99	66817-000		* CAP ASSEMBLY - Fuel tank (non-locking)	1	
-99a	66815-000	F	* GASKET - Fuel cap (with lock)	1	
-99b	492-153	F	** VALVE - Fuel cap vent (VA3123)	1	

When ordering, always specify Part Number, Description, and Serial Number of Aircraft

PIPER PARTS CATALOG

Figure and Index Number	Part Number	Code	NOMENCLATURE	No. Req.	SERIAL NUMBERS AFFECTED
55 -99c	39856-002	H	LOCK ASSEMBLY - Fuel cap	2	
-100	451-857		* ADAPTER - (AN840-40)	1	
	560-951		* ADAPTER - (1068 x 6 x 2)	1	
-101	62060-000		* VENT TUBE - Left (with bead)	1	
	62060-001		* VENT TUBE - Right with bead)	1	
	62060-004		* VENT TUBE - Left (without bead)	1	
	62060-005		* VENT TUBE - Right (without bead)	1	
-102	69785-000		* FILLER NECK ASSEMBLY	1	
-103	62059-000		* FITTING - Fuel line	1	
-104	62044-000		* PLATE - Fuel tank	1	
-105	554-861		* CLAMP - (SAE TY F-4)	4	
-106	68101-002		GAUGE - Fuel tank	2	
-107	492-312		DRAIN - Fuel tank (CCA-36150) (Pet-Cock Type), non-locking	2	
	491-806		DRAIN - Fuel tank (F391-187B) (Flush Type)	2	
-108	65815-004		TANK ASSEMBLY - Fuel, wing tip, left	1	
	65815-005		TANK ASSEMBLY - Fuel wing tip, right	1	
-109	462-019		* GASKET - Fuel gauge (1515832)	1	
-110	68101-002		* GAUGE - Fuel tank	1	
-111	66817-000		* CAP ASSEMBLY - Fuel tank	1	
-111a	66815-000	B	** GASKET - Fuel cap	1	
-111b	492-153	B	** VALVE - Fuel cap vent (VA3123)	1	
-112	492-312		* DRAIN - (CCA-36150)(Pet-Cock Type), non-locking	1	
-113	65107-000		* COVER - Access	1	
-114	65108-004		* TUBE ASSEMBLY - Vent, left	1	
	65108-005		* TUBE ASSEMBLY - Vent, right	1	
-115	72091-000		* STRAINER - Fuel tank	1	28-10003 to 28-10719 incl.
	68763-000		* STRAINER - Fuel tank	1	28-10720 and up
-116	453-656		* BUSHING - (AN912-4D)	1	
-117	460-464		FERRULE - (6T12-D)	8	28-10003 to 28-10719 incl.
	460-463		FERRULE - (8T12-D)	8	28-10720 and up
-118	476-678		NIPPLE - (AN816-6)	1	28-10720 and up
-119	476-689		NIPPLE - (AN816-7)	1	28-10720 and up
-120	62833-036		WASHER - Fuel selector valve stem	1	
-121	62924-002		SAMPLER - Fuel (used with Pet-Cock Type Drain)	1	
	67728-000		SAMPLER - Fuel (used with Flush Type Drain)	1	
-122	455-173	A	COUPLING - (AN910-1D)	1	
-123	62833-011		WASHER - Rod assembly	2	
-124	690-609		WASHER - (NAS1149F0332P)	1	
	424-051		COTTER PIN - (AN380-2-2)	1	
-125	476-647	A	NIPPLE - (AN816-3D)	1	
-126	476-690		NIPPLE - (8-4G12-D)	1	28-10720 and up
-127	477-680		NUT - (8B12D)	1	28-10720 and up
-128	460-463		FERRULE - (8T12D)	1	28-10720 and up

A - Used with 3/16" I.D. hose.
B - Used with Fuel Cap Part No. 66817-000 only.

When ordering, always specify Part Number, Description, and Serial Number of Aircraft

SECTION 6 POWERPLANT GROUP

THIS PAGE INTENTIONALLY LEFT BLANK

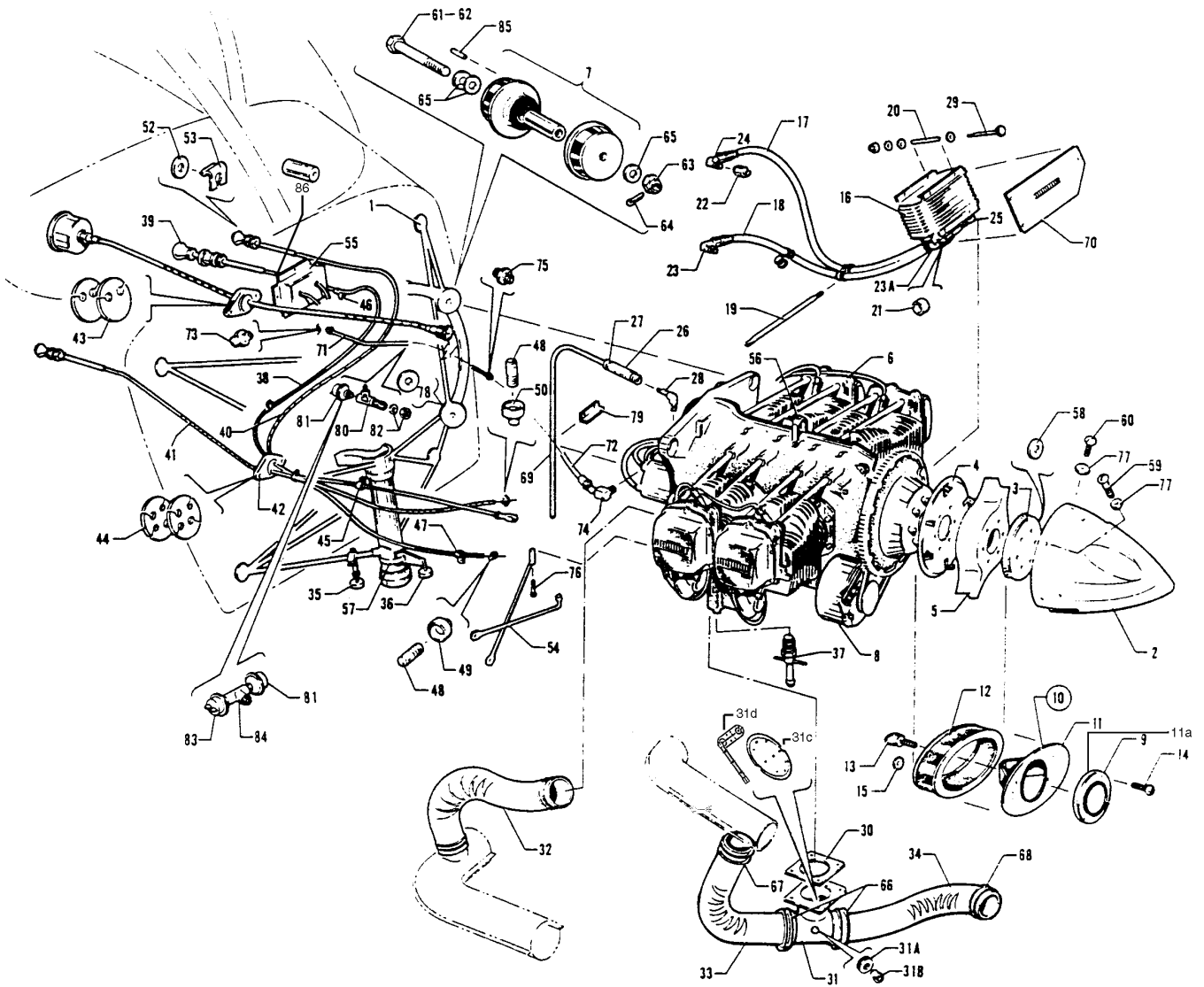


Figure 56. Powerplant Installation
 (PA 28-140 - Serial Nos. 28-20002 and up)
 (PA-28-150-160-180 - Serial Nos. 28-1 to 28-1760 inclusive)

PA-28-140
 PA-28-150
 PA-28-160
 PA-28-180

THIS PAGE INTENTIONALLY LEFT BLANK

PIPER PARTS CATALOG

Figure and Index Number	Part Number	Code	NOMENCLATURE	No. Req.	SERIAL NUMBERS AFFECTED
56-	63622	Y	DRAWING - Powerplant Installation		28-1 to 28-507 inclusive
	63689	E	DRAWING - Powerplant Installation		
	65616	X	DRAWING - Powerplant Installation		28-21096 to 28-24999 incl.
	66680	X	DRAWING - Powerplant Installation		28-25000 to 28-7125471 incl.
	99516	X	DRAWING - Powerplant Installation		28-7125472 and up
	62815	B,F	DRAWING - Engine Controls		
	63630	A	DRAWING - Landing Light and Air Filter Installation		
	63634	Y,Z	DRAWING - Oil Radiator Installation		28-1 to 28-1410 inclusive
	62157	C	DRAWING - Oil Radiator Installation		
	67795	X	DRAWING - Oil Radiator Installation		28-7125472 and up
-1	63600-024	D	MOUNT ASSEMBLY - Engine and nose gear strut	1	28-1 to 28-220 inclusive
	63600-028		MOUNT ASSEMBLY - Engine and nose gear strut	1	28-221 to 28-507 inclusive
-2	63694-000	Y,Z	MOUNT ASSEMBLY - Engine and nose gear strut	1	28-508 to 28-1760 inclusive
	63694-000	X	MOUNT ASSEMBLY - Engine and nose gear strut	1	28-20002 to 28-24999 incl.
-3	66662-000	X	MOUNT ASSEMBLY - Engine and nose gear strut	1	28-25000 and up
	14422-000		SPINNER - Propeller	1	
-4	66630-000	X	PLATE ASSEMBLY - Propeller mount, front	1	28-20002 and up
	66630-000	Y	PLATE ASSEMBLY - Propeller mount, front	1	28-1 to 28-1760 inclusive
-4	63718-000	Z	PLATE ASSEMBLY - Propeller mount, front	1	28-671 to 28-1760 inclusive
	62352-000	X	PLATE ASSEMBLY - Propeller mount, rear	1	28-20002 and up
	62352-000	Y	PLATE ASSEMBLY - Propeller mount, rear	1	28-1 to 28-1760 inclusive
	63717-000	Z	PLATE ASSEMBLY - Propeller mount, rear	1	28-671 to 28-1760 inclusive

- A - Used on PA-28-140 with serial numbers 28-20002 and up, PA-28-150, PA-28-160 and PA-28-180 with serial numbers 28-1 to 28-1760 inclusive.
- B - Used on PA-28-140 with serial numbers 28-20002 to 28-24999 inclusive, and PA-28-150, PA-28-160 and PA-28-180 with serial numbers 28-1 to 28-1760.
- C - Used on PA-28-140 with serial numbers 28-20002 to 28-7125471 inclusive, and PA-28-150, PA-28-160 and PA-28-180 with serial numbers 28-1411 to 28-1760 inclusive.
- D - If Kit 754-428 has been installed, order part for serial numbers 28-221 to 28-507 inclusive.
- E - Used on PA-28-140 with serial numbers 28-20002 to 28-21095 inclusive, and PA-28-150, PA-28-160 and PA-28-180 with serial numbers 28-508 to 28-1760 inclusive.
- F - See Figure 57B for Engine Controls Installation for PA-28-140 with serial numbers 28-25000 and up.
- X - Used on PA-28-140 airplanes only.
- Y - Used on PA-28-150 and PA-28-160 airplanes only.
- Z - Used on PA-28-180 airplanes only.

When ordering, always specify Part Number, Description, and Serial Number of Aircraft

PIPER PARTS CATALOG

Figure and Index Number	Part Number	Code	NOMENCLATURE	No. Req.	SERIAL NUMBERS AFFECTED	
56 -5	450-997	H	PROPELLER - Sensenich M74DM-60 Pitch 140	1	28-20002 to 28-20939 inclusive	
	450-944		PROPELLER - Sensenich 74DM6-0-58 Pitch 140	1		
	450-993		PROPELLER - Sensenich M74DM-58 Pitch 150	1		
	450-997		PROPELLER - Sensenich M74DM-60 Pitch 160	1		
	450-955		PROPELLER - Sensenich M76EMM-60 Pitch 180	1		
-6		D,E	ENGINE - Lycoming (O-320-A2B) 150 H.P.	1		
		D,E	ENGINE - Lycoming (O-320-B2B) 160 H.P.	1		
		E,G	ENGINE - Lycoming (O-320-E2A) 150 H.P.	1		
		E,G	ENGINE - Lycoming (O-320-D2A) 160 H.P.	1		
		E	ENGINE - Lycoming (O-320-A3A) 180 H.P.	1		
		E	ENGINE - Lycoming (O-320-E3D) 140 H.P.	1		
		E,F	MOUNT - Rubber bushing and washer	4		
-7	475-134		MOUNT - Engine (J-6230-1)	4	28-1 to 28-220 inclusive 28-221 to 28-507 inclusive 28-508 to 28-1478 inclusive	
	475-121		MOUNT - Engine (J-7402-5)	4		
	475-123		B,C	MOUNT - Engine (J-7402-16)		4
	475-124		X	MOUNT - Engine (J9613-40) top left and bottom right		2
	475-125		X	MOUNT - Engine (J9613-53) top right and bottom left		2
-8	-----	J	ALTERNATOR INSTALLATION			
-9	63631-000	K	RETAINER RING - Landing light	1		
	63186-040	K	* SEAL - Extruded moulding (Not shown)	1		
-10	65780-000	X	RETAINER ASSEMBLY - Air Filter and landing light	1	28-23214 and up	
	65778-000	X	RETAINER ASSEMBLY - Air Filter	1		
-11	63632-007		* RETAINER ASSEMBLY - Air Filter and landing light	1	28-23214 and up	
	63632-006		* RETAINER ASSEMBLY - Air Filter	1		
<p>A - Used on PA-28-140 with serial numbers 28-20002 and up, PA-28-150, PA-28-160 and PA-28-180 with serial number 28-1 to 28-1760 inclusive.</p> <p>B - Used on PA-28-140 with serial numbers 28-20002 to 28-24999 inclusive, and PA-28-150, PA-28-160 and PA-28-180 with serial numbers 28-1479 to 28-1760 inclusive.</p> <p>C - If less than four mounts are being replaced, ascertain number which is stamped on rubber part of mount and order either 475-121 (EJ-7402-5), 475-123 (J-7402-16) or 475-110 (J-7402-24). If four mounts are being replaced, it is suggested that four of part number 475-110 (J-7402-24) be ordered for PA-28-150, PA-28-160 and PA-28-180.</p> <p>D - Used when generator is installed.</p> <p>E - Secure from Lycoming Division - Avco Corporation, Williamsport, PA.</p> <p>F - If Kit 754-428 has been installed, order part for serial numbers 28-221 to 28-507 inclusive.</p> <p>G - Used when alternator is installed.</p> <p>H - If Family Seat Kit 756-962 or 756-941 has been installed order part for serial numbers 28-20940 and up.</p> <p>J - See Figure 71 for component parts if a Chrysler alternator is installed See Figure 32A if a Prestolite alternator with air conditioning is installed.</p> <p>K - See latest revision of Piper Service Bulletin 975.</p> <p>X - Used on PA-28-140 airplanes only.</p>						

When ordering, always specify Part Number, Description, and Serial Number of Aircraft

PA-28-140
PA-28-150
PA-28-160
PA-28-180

PIPER PARTS CATALOG

Figure and Index Number	Part Number	Code	NOMENCLATURE	No. Req.	SERIAL NUMBERS AFFECTED	
56	-11a	F	SEAL - Extruded moulding	1		
	-11b	F	SUPPORT ASSEMBLY - Landing light (Not shown)	1		
	-12		AIR FILTER - (CA16LPL)	1		
	-13		SCREW - Thumb	1		
	-14		SCREW - (AN515-6R14)	4		
	-15		WASHER - (AN960-416)	1		
	-16		OIL RADIATOR	1		
	-17	63635-000	B,D	LINE ASSEMBLY - Engine to oil radiator, left	1	28-1 to 28-507 inclusive
		63701-000	B,D	LINE ASSEMBLY - Engine to oil radiator, left	1	28-508 to 28-1410 inclusive
		63901-163		HOSE ASSEMBLY - Engine to oil radiator, left	2	28-1411 to 28-1760 inclusive
		63901-163	X	HOSE ASSEMBLY - Engine to oil radiator, left	2	28-20002 to 28-7125471 incl.
		63901-164	X	HOSE ASSEMBLY - Engine to oil radiator, left	2	28-7125472 and up
	-18	63636-000	B,D	LINE ASSEMBLY - Engine to oil radiator, right	1	28-1 to 28-1410 inclusive
		63901-163		HOSE ASSEMBLY - Engine to oil radiator, right	2	28-1411 to 28-1760 inclusive
		63901-163	X	HOSE ASSEMBLY - Engine to oil radiator, right	2	28-20002 to 28-7125471 incl.
		63901-164	X	HOSE ASSEMBLY - Engine to oil radiator, right	2	28-7125472 and up
	-19	63637-000	Y	TUBE - Oil line support	1	28-1 to 28-1410 inclusive
		63637-002	Z	TUBE - Oil line support	1	28-671 to 28-1410 inclusive
	-20	86062-094	E	SPACER - Oil radiator	4	
	-21	484-654		SEAL - Oil radiator lines (110-8-Y)	4	28-1 to 28-1410 inclusive
	-22	451-855		ADAPTER - (W/H 3200 x 6)	1	
	-23	458-957	B	ELBOW - (905-8)	1	28-1 to 28-1410 inclusive
		458-886	C	ELBOW - (AN823-8D)	1	
	458-886	X	ELBOW - (AN823-8D)	1	28-25000 and up	
-23a	458-957	B	ELBOW - (905-8)	1	28-1 to 28-1410 inclusive	
	458-886	C	ELBOW - (AN823-8D)	1		
	458-886	X	ELBOW - (AN823-8D)	1	28-25000 to 28-7125471 incl.	
	458-896	X	ELBOW - (AN822-8D)	1	28-7125472 and up	

- A - Used on PA-28-140 with serial numbers 28-20002 and up, PA-28-150, PA-28-160 and PA-28-180 with serial numbers 28-1 to 28-1760 inclusive.
- B - If Kit 756 769 has been installed, order part for serial numbers 28-1411 to 28-1760 inclusive.
- C - Used on PA-28-140 with serial numbers 28-20002 to 28-24999 inclusive, PA-28-150, PA-28-160 and PA-28-180 with serial numbers 28-1411 to 28-1760 inclusive.
- D - Not available, Flexible Hose Kit 756-769 will be supplied as a replacement.
- E - Used on PA-28-140 with serial numbers 28-20002 to 28-7125471 inclusive, PA-28-150, PA-28-160 and PA-28-180 with serial numbers 28-1 to 28-1760 inclusive.
- F - See latest revision of Piper Service Bulletin 975.
- X - Used on PA-28-140 airplanes only.
- Y - Used on PA-28-150 and PA-28-160 airplanes only.
- Z - Used on PA-28-180 airplanes only.

When ordering, always specify Part Number, Description, and Serial Number of Aircraft

PA-28-140
PA-28-150
PA-28-160
PA-28-180

PIPER PARTS CATALOG

Figure and Index Number	Part Number	Code	NOMENCLATURE	No. Req.	SERIAL NUMBERS AFFECTED
56 -24	458-957	C	ELBOW - (905-8)	1	28-1 to 28-1410 inclusive
	458-898	D,X	ELBOW - (AN822-8D)	1	
-25	458-886	X	ELBOW - (AN823-8D)	1	28-25000 and up
	458-957	C	ELBOW - (905-8)	1	28-1 to 28-1410 incl.
	458-898	D	ELBOW - (AN822-8D)	1	
	458-898	X	ELBOW - (AN822-8D)	1	28-25000 to 28-7125471 incl.
-26	458-886	X	ELBOW - (AN823-8D)	1	28-7125472 and up
	82371-056		HOSE - Engine breather tube	1	28-1 to 28-507 inclusive
	63913-013	F	HOSE - Engine breather tube	1	
-27	63913-074	X	HOSE - Engine breather tube	1	28-25000 and up
	454-837		CLAMP - Engine breather hose (H-78000)	2	
-28	458-870	B	ELBOW - Engine to breather tube hose (AN844-10D)	1	
-29	400-464	E	BOLT - (AN3-41A)	4	
	400-438	X	BOLT - (AN3-4A)	4	28-7125472 and up
-30	690-612	E	WASHER - (NAS1149F0363P)	4	
	690-609	X	WASHER - (NAS1149F0332P)	4	28-7125472 and up
	404-526		NUT - (MS21042-3)	4	
	73451-007	Y	GASKET - Carburetor air box	1	
-31	73451-007	X	GASKET - Carburetor air box	1	
	63684-004	Z	GASKET - Carburetor air box	1	
	63601-013	Y	BOX ASSEMBLY - Carburetor air	1	28-1 to 28-1760 inclusive
-31a	63680-000	Z	BOX ASSEMBLY - Carburetor air	1	28-671 to 28-1760 inclusive
	63601-013	X	BOX ASSEMBLY - Carburetor air	1	28-20002 and up
-31b	434-134	G	* GROMMET - (MS35489-11)	2	
	434-129	Z	* GROMMET - (AN931-5-9)	2	
-31c	453-991	G	* BUSHING	2	
-31d	63601-010	X,Y	* VALVE ASSEMBLY - Carburetor air	1	
-32	63601-200	X,Y	SHAFT ASSEMBLY - Carburetor air box	1	
-33	63633-005	Y	HOSE - Carburetor heat shroud intake	1	28-1 to 28-707 inclusive
	78035-002	Z	HOSE - Carburetor heat shroud outlet	1	28-671 to 28-1760 inclusive
	99849-002	X,Y	HOSE - Carburetor heat shroud outlet	1	
			A - Used on PA-28-140 with serial numbers 28-20002 and up, PA-28-150, PA-28-160 and PA-28-180 with serial numbers 281 to 28-1760 inclusive.		
			B - Used on PA-28-140 with serial number 28-20002 and up, PA-28-150, PA-28-160 and PA-28-180 with serial numbers 28-508 to 28-1760 inclusive.		
			C - If Kit 756 769 has been installed, order part for serial numbers 28-1411 to 28-1760 inclusive.		
			D - Used on PA-28-140 with serial numbers 2820002 to 28-24999 inclusive, PA-28-150, PA-28-160 and PA-28-180 with serial numbers 28-1411 to 28-1760 inclusive.		
			E - Used on PA-28-140 with serial numbers 28-20002 to 28-7125471 inclusive, PA-28-150, PA-28-160 and PA-28-180 with serial numbers 28-1 to 28-1760 inclusive.		
			F - Used on PA-28-140 with serial numbers 28-20002 to 28-24999 inclusive, PA-28-150, PA-28-160 and PA-28-180 with serial numbers 28-508 to 28-1760 inclusive.		
			G - Used on PA-28-140, PA-28-150 and PA-28-160 airplanes with a .625 hole in the Carburetor Air Box for the air box valve shaft grommets.		
			X - Used on PA-28-140 airplanes only.		
			Y - Used on PA-28-150 and PA-28-160 airplanes only.		
			Z - Used on PA-28-180 airplanes only.		

When ordering, always specify Part Number, Description, and Serial Number of Aircraft

PA-28-140
PA-28-150
PA-28-160
PA-28-180

PIPER PARTS CATALOG

Figure and Index Number	Part Number	Code	NOMENCLATURE	No. Req.	SERIAL NUMBERS AFFECTED
56 -34	99849-004	Y	HOSE - Carburetor air intake	1	28-1 to 28-1760 inclusive
	99849-004	X	HOSE - Carburetor air intake	1	28-20002 to 28-7125471 incl.
	99849-003	X	HOSE - Carburetor air intake	1	28-71 25472 and up
	78035-003	Z	HOSE - Carburetor air intake	1	28-671 to 28-1760 inclusive
-35	63655-000	Y	SUPPORT - Bottom cowl	2	28-1 to 28-724 inclusive
-36	63732-000	Y	DAMPENER ASSEMBLY - Bottom cowl	1	28-1 to 28-724 incl.
-37	61879-002		VALVE ASSEMBLY - Oil drain	1	
-38	12693-004	C,D	CABLE ASSEMBLY - Throttle control	1	
-39	471-049	C,D	* KNOB - Throttle cable (95 black)	1	
-40	63902-003	Y,Z	CABLE ASSEMBLY - Carburetor heat control	1	
	63902-003	X	CABLE ASSEMBLY - Carburetor heat control	1	28-20002 to 28-21095 incl.
	63902-016	C,X	CABLE ASSEMBLY - Carburetor heat control	1	28-21096 to 28-24999 incl.
-41	63902-004	Y,Z	CABLE ASSEMBLY - Mixture control	1	
	63902-008	X	CABLE ASSEMBLY - Mixture control	1	28-20002 to 28-21095 incl.
	63902-017	C,X	CABLE ASSEMBLY - Mixture control	1	28-21096 to 28-24999 incl.
-42	18321-000	C,D	PLATE - Firewall seal	4	
-43	63915-003	C,D	DISC - Firewall, tachometer shaft	2	
-44	63915-004	C,D	DISC - Firewall, mixture control cable	2	
-45	63916-002	C,D	CLAMP - Throttle control cable	1	
-46	554-860	C,D	CLAMP - Throttle control cable (RA-4400-1)	2	
-47	554-890	C,D	CLAMP - Carburetor heat control cable (MS122901)	1	
-48	70371-003	C,D	STUD - Swivel fitting (Carb Heat Control & Mixture Control)	2	
-49	70371-002	C,D	FITTING - Swivel, (Carburetor heat control)	1	
-50	91193-000	C,D	FITTING - Swivel, (Mixture Control)	1	
-51	68778-000	X	ELBOW - Oil pressure	1	28-21096 and up
-52	62833-007	C,D	WASHER - Carburetor heat control cable	1	
-53	62978-000	C,D	CLIP - Carburetor heat control cable	1	
-54	63964-000	B	SUPPORT ASSEMBLY - Engine controls	1	
	69317-000	X	SUPPORT ASSEMBLY - Engine controls	1	28-25000 and up
-55	14311-039	Y,Z	BOX ASSEMBLY - Magneto filter	1	
	14311-039	X	BOX ASSEMBLY - Magneto filter	1	28-20002 to 28-23495 incl.
	65827-000	X	BOX ASSEMBLY - Magneto filter	1	28-23496 to 28-24999 incl.

A - Used on PA-28-140 with serial numbers 28-20002 and up, PA-28-150, PA-28-160 and PA-28-180 with serial numbers 28-1 to 28-1760 inclusive.

B - Used on PA-28-140 with serial numbers 28-20002 to 28-24999 inclusive, PA-28-150, PA-28-160 and PA-28-180 with serial numbers 28-508 to 28-1760 inclusive.

C - See Figure 57B for Engine Controls Installation for PA-28-140 with serial numbers 28-25000 and up.

D - Used on PA-28-140 with serial numbers 28-20002 to 28-24999 inclusive, PA-28-150, PA-28-160 and PA-28-180 with serial numbers 28-1 to 29-1760 inclusive.

X - Used on PA-28-140 airplanes only.

Y - Used on PA-28-150 and PA-28-160 airplanes only.

Z - Used on PA-28-180 airplanes only.

When ordering, always specify Part Number, Description, and Serial Number of Aircraft

PIPER PARTS CATALOG

Figure and Index Number	Part Number	Code	NOMENCLATURE	No. Req.	SERIAL NUMBERS AFFECTED
56 -56	63669-000		LUG - Engine- lifting	1	
-57	454-800	Y	CLAMP - (32SS)	1	28-1 to 28-274 inclusive
-58	80122-055		WASHER - Propeller	6	28-1 to 28-507 inclusive
-59	417-694		SCREW - Spinner (AN526C-1032R8)	8	
-60	417-695		SCREW - Spinner (AN526C-1032R10)	2	
-61	400-309		BOLT - Bottom engine to mount (AN8-30)	2	28-1 to 28-220 inclusive
	400-310		BOLT - Bottom engine to mount (AN8-31)	2	28-221 to 28-507 inclusive
	400-274		BOLT - Bottom engine to mount (AN7-35)	2	28-508 to 28-1508 inclusive
	401-535	B	BOLT - Bottom engine to mount (AN7-35A)	2	
	401-544	X	BOLT - Bottom engine to mount (AN7-44A)	2	28-25000 and up
-62	400-328		BOLT - Top engine to mount (AN8-53)	2	28-1 to 28-220 inclusive
	400-329		BOLT - Top engine to mount (AN8-54)	2	28-221 to 28-507 inclusive
	400-274		BOLT - Top engine to mount (AN7-35)	2	28-508 to 23-1508 inclusive
	401-535	B	BOLT - Top engine to mount (AN7-35A)	2	
	401-543	X	BOLT - Top engine to mount (AN7-43A)	2	28-25000 and up
-63	404-105		NUT - Engine mount bolt (AN310-8)	4	28-1 to 28-507 inclusive
	404-104		NUT - Engine mount bolt (AN310-7)	4	28-508 to 28-1508 inclusive
	404-891		NUT - Engine mount bolt (MS20365-720C)	4	28-1509 and up
-64	424-059		COTTER PIN - Engine mount bolt (MS24665-283)	4	28-1 to 28-1508 inclusive
-65	690-630		WASHER - Engine mount bolt (NAS1149F0763P)	AR	
-66	554-800	X,Y	CLAMP - Carburetor air box hose (SAE TY A 3-3/16)	2	
	454-804	Z	CLAMP - Carburetor tor air box hose (4-1205)	2	
-67	554-800		CLAMP - Carburetor air box hose (SAE TY A 3-3/16)	1	
-68	554-800	X,Y,Z	CLAMP - Carburetor air box hose (SAE TY A 3-3/16)	1	
-69	63203-000		TUBE - Engine breather	1	28-1 to 28-507 inclusive
	63215-000	C	TUBE - Engine breather	1	
-70	63407-000	Y,Z	CLOSURE ASSEMBLY - Winterization plate	1	
	63407-000	X	CLOSURE ASSEMBLY - Winterization plate	1	28-20002 to 28-21095 incl.
	65478-000	X	CLOSURE ASSEMBLY - Winterization plate	1	28-21096 to 28-7125471 incl.
	99523-000	X	CLOSURE ASSEMBLY - Winterization plate	1	28-7125472 and up
-71	63201-000	Y,Z	TUBE ASSEMBLY - Oil pressure	1	28-1 to 28-1760 inclusive
	63201-000	X	TUBE ASSEMBLY - Oil pressure	1	28-20002 to 28-21095 incl.
	65603-000	X	TUBE ASSEMBLY - Oil pressure	1	28-21096 to 28-24999 incl.
	67700-042	X	TUBE ASSEMBLY - Oil pressure	1	28-25000 to 28-7425454 incl.
	67700-086	X	TUBE ASSEMBLY - Oil pressure forward	1	28-7525001 and up
	67700-085	X	TUBE ASSEMBLY - Oil pressure aft	1	28-7525001 and up
-72	71061-000	Y,Z	HOSE ASSEMBLY - Oil pressure	1	28-1 to 28-1760 inclusive
	71061-000	X	HOSE ASSEMBLY - Oil pressure	1	28-20002 to 28-21095 incl.
	63901-027	X	HOSE ASSEMBLY - Oil pressure	1	28-21096 and up

A - Used on PA-28-140 with serial numbers 28-20002 and up, PA-28-150, PA-28-160, and PA-28-180 with serial numbers 28-1 to 28-1760 inclusive.
 B - Used on PA-28-140 with serial numbers 28-20002 to 28-24999 inclusive, PA-28-150, PA-28-160, and PA-28-180 with serial numbers 28-508 to 28-1760 inclusive.
 C - Used on PA-28-140 with serial numbers 28-20002 and up, PA-28-150, PA-28-160, and PA-28-180 with serial numbers 28-508 to 28-1760 inclusive.
 X - Used on PA-28-140 airplanes only.
 Y - Used on PA-28-150 and PA-28-160 airplanes only.
 Z - Used on PA-28-180 airplanes only.

When ordering, always specify Part Number, Description, and Serial Number of Aircraft

PA-28-140
PA-28-150
PA-28-160
PA-28-180

PIPER PARTS CATALOG

Figure and Index Number	Part Number	Code	NOMENCLATURE	No. Req.	SERIAL NUMBERS AFFECTED
56 -73	484-349	C	REDUCER - (AN919-1D) Oil pressure	1	
-74	69301-000		ELBOW - Oil pressure	1	28-221 and up
-75	491-055	C	UNION - (AN815-4) Oil pressure	1	28-21096 and up
-76	486-274		BOLT - (MS90725-15)	1	28-508 and up
-77	85012-047		WASHER - Spinner	10	
-78	85012-101	C	WASHER - Engine to mount, bottom	2	28-25000 and up
-79	63672-000		SUPPORT - Engine breather tube	1	28-1 to 28-507 inclusive
-80	79038-000	C	TEE - Bulkhead fitting	1	28-7525001 and up
-81	587-961	C	SWITCH - (M-4011-35)	1	28-7525001 and up
-82	477-629	C	NUT - (AN924-4)	1	28-7525001 and up
	690-626	C	WASHER - (NAS1149F0732P)	1	28-7525001 and up
-83	587-990	B,C	SWITCH - (M-4006-4)	1	28-7625001 and up
-84	588-469	B,C	TEE - (1/8 MMS-S)	1	28-7625001 and up
-85	86092-061		PIN - Engine mount bushing	4	28-221 to 28-507 inclusive
-86	460-634		FILTER - Radio interference	1	
<p>A - Used on PA-28-140 with serial numbers 28-20002 and up, PA-28-150, PA-28-160 and PA-28-180 with serial numbers 28-1 to 28-1760 inclusive.</p> <p>B - Used if engine hour meter is installed.</p> <p>C - Used on PA-28-140 airplanes only.</p>					

When ordering, always specify Part Number, Description, and Serial Number of Aircraft

PA-28-140
PA-28-150
PA-28-160
PA-28-180

THIS PAGE INTENTIONALLY LEFT BLANK

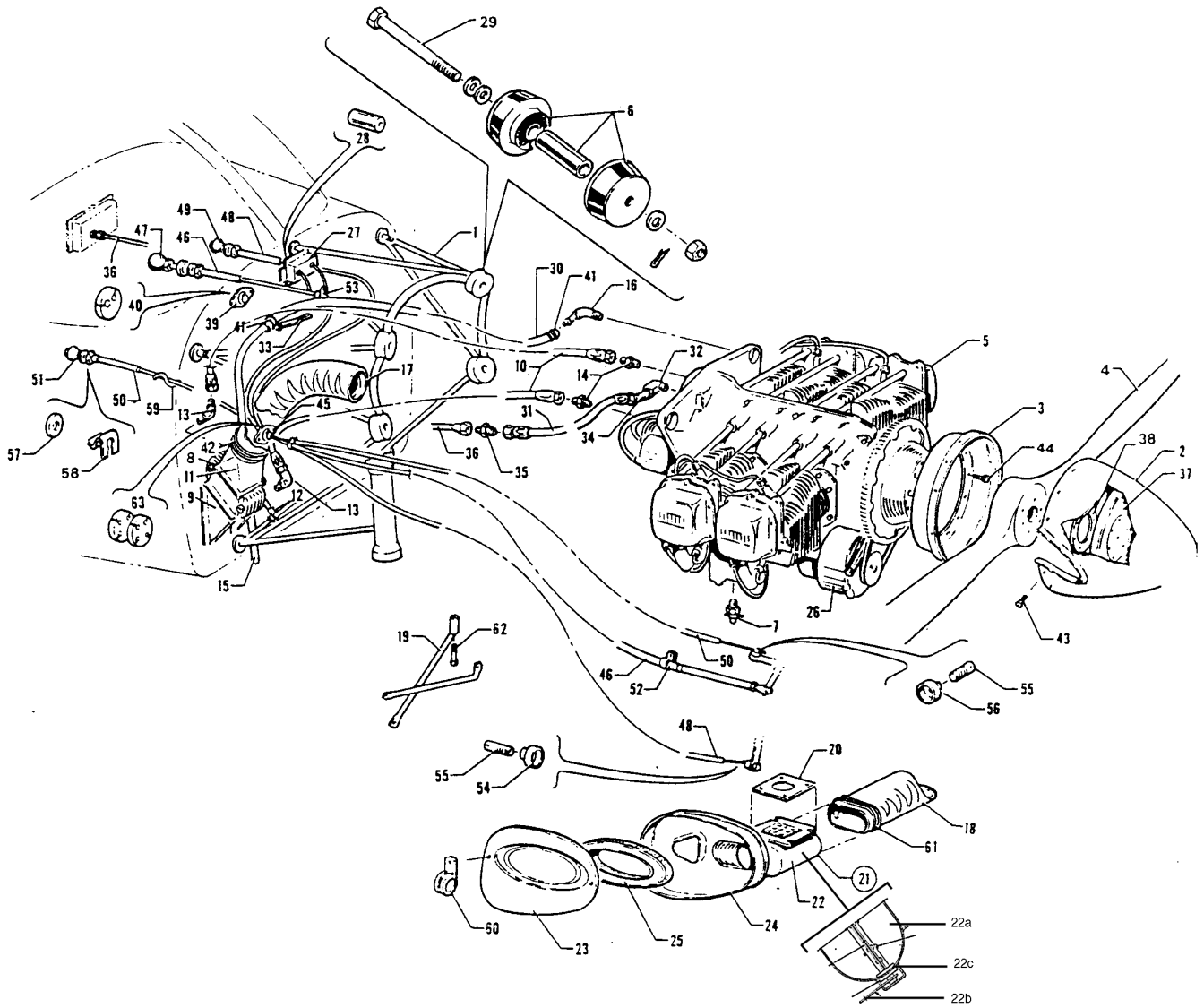


Figure 57. Powerplant Installation
 (PA-28-150-160-180 - Serial Nos. 28-1761 to 28-4377 inclusive)

THIS PAGE INTENTIONALLY LEFT BLANK

PIPER PARTS CATALOG

Figure and Index Number	Part Number	Code	NOMENCLATURE	No. Req.	SERIAL NUMBERS AFFECTED
57-	62893 62991		DRAWING - Powerplant Installation DRAWING - Engine Controls Installation		28-1761 to 28-4377 inclusive 28-1761 to 28-4377 inclusive
-1	62297-000		MOUNT ASSEMBLY - Engine and nose gear strut	1	
-2	63760-004		SPINNER - Propeller	1	28-1761 to 28-3585 inclusive
	65805-000		SPINNER - Propeller	1	28-3586 to 28-4377 inclusive
-3	65208-003		BULKHEAD ASSEMBLY - Spinner, rear	1	28-1761 to 28-3585 inclusive
	65803-000	B	BULKHEAD ASSEMBLY - Spinner, rear	1	28-3586 to 28-4377 inclusive
	65803-002	C	BULKHEAD ASSEMBLY - Spinner, rear	1	28-3586 and up
-4	450-948		PROPELLER - Sensenich 74DM6S5-0-58 Pitch 150	1	
	450-949		PROPELLER - Sensenich 74DM6S5-0-60 Pitch 160	1	
	450-957		PROPELLER - Sensenich 76EM8S5-0-60 Pitch 180	1	
-5		A	ENGINE - Lycoming (O-320-E2A) 150	1	
		A	ENGINE - Lycoming (O-320-E2A) 150 (with oil filter)	1	28-2837 and up
		A	ENGINE - Lycoming (O-320-D2A) 160	1	
		A	ENGINE - Lycoming (O-320-D2A) 160 (with oil filter)	1	28-2837 and up
		A	ENGINE - Lycoming (O-360-A3A) 180	1	28-1761 to 28-3555 inclusive, 28-3557 to 28-3572 inclusive, 28-3574 to 28-3626 inclusive
		A	ENGINE - Lycoming (O-360-A4A) 180	1	28-3556, 28-3573, 28-3627 to 28-4377 inclusive
		A	ENGINE - Lycoming (O-360-A3A) 180 (with oil filter)	1	28-2837 to 28-3555 inclusive, 28-3557 to 28-3572 inclusive, 28-3574 to 28-3626 inclusive
		A	ENGINE - Lycoming (O-360-A4A) 180 (with oil filters)	1	28-3556, 28-3573, 28-3627 to 28-4377 inclusive
-6	475-123	C,D	MOUNT - Engine (J-7402-16)	4	
	475-123	B,D	MOUNT - Engine (J-7402-16)	4	28-1761 to 28-3299 inclusive
	475-110	B	MOUNT - Engine (J-7402-24)	4	28-330 to 28-4377 inclusive
-7	61879-002		VALVE ASSEMBLY - Oil drain	1	
-8	18622-000		OIL RADIATOR	1	
-9	62938-000		BRACKET- Oil radiator	2	
-10	63901-020		HOSE ASSEMBLY	2	
-11	62985-000		ADAPTER ASSEMBLY - Oil radiator air	1	
-12	62987-000		TUBE - Oil radiator bracket attachment	1	
-13	458-886		ELBOW - Oil radiator (AN823-8D)	2	
-14	476-664		NIPPLE - Oil radiator (AN816-8D)	2	
-15	62980-000		TUBE - Engine breather	1	
-16	458-870		ELBOW - Engine breather (AN844-10D)	1	
-17	63633-088		HOSE - Oil radiator air	1	
-18	99944-002		HOSE - Carburetor heat	1	
-19	63964-000		BRACKET - Engine controls	1	
-20	73451-007	C	GASKET - Carburetor air box	1	
	63684-004	B	GASKET - Carburetor air box	1	

A - Secure from Lycoming Division - Avco Corporation, Williamsport, Penna.
 B - Used on PA-28-180 airplanes only.
 C - Used on PA-28-150 and PA-28-160 airplanes only.
 D - If less than four mounts are being replaced, ascertain number which is stamped on rubber part of mount and order either 475-123 (J-7402-16) or 475-110 (J-7402-24).
 If four mounts are being replaced, it is suggested that four of Part Number 475-110 (J-7402-24) be ordered.

When ordering, always specify Part Number, Description, and Serial Number of Aircraft

PIPER PARTS CATALOG

Figure and Index Number	Part Number	Code	NOMENCLATURE	No. Req.	SERIAL NUMBERS AFFECTED
57 -21	62989-002	B	BOX ASSEMBLY - Carburetor air (complete)	1	
	62989-000	A	BOX ASSEMBLY - Carburetor air (complete)	1	
-22	63446-000	B	* BOX ASSEMBLY - Carburetor air	1	
	62921-000	A	* BOX ASSEMBLY - Carburetor air	1	
-22a	62999-000		VALVE ASSEMBLY - Carburetor air box	1	
-22b	62998-000		SHAFT ASSEMBLY - Carburetor air box	1	
-22c	434-129		GROMMET - (AN931-5-9)	1	
-23	65403-000		* COVER ASSEMBLY - Air filter	1	
-24	63246-000		* HOUSING ASSEMBLY - Air filter	1	28-1761 to 28-3077 inclusive
	63246-004		* HOUSING ASSEMBLY - Air filter	1	28-3078 to 28-4377 inclusive
-25	460-632		* AIR FILTER - (CA-161PL)	1	
-26	-----	C	ALTERNATOR INSTALLATION - Chrysler		
-27	14311-039		BOX ASSEMBLY - Magneto filter	1	28-1761 to 28-4327 inclusive
	65827-000		BOX ASSEMBLY - Magneto filter	1	28-4328 to 28-4377 inclusive
-28	460-634		FILTER - Radio interference	2	
-29	401-535		BOLT - Engine mount (AN7-35A)	4	
	690-630		WASHER - Engine mount (NAS1149F0763P)	12	
	404-891		NUT - Engine mount (MS20365-720C)	4	
-30	63913-042		HOSE - Engine breather	1	
-31	71061-000		HOSE ASSEMBLY - Oil pressure gauge	1	28-1761 to 28-2477 inclusive
	63901-027		HOSE ASSEMBLY - Oil pressure gauge	1	28-2478 to 28-4377 inclusive
-32	458-920		ELBOW - Oil pressure hose (W/H 3400 x 2)	1	
-33	63486-000		SUPPORT - Oil line	1	28-1902 to 28-4377 inclusive
-34	68778-000		ELBOW - Oil pressure hose	1	28-2478 to 28-4377 inclusive
-35	491-055		UNION - Oil pressure hose (AN815-4)	1	28-2478 to 28-4377 inclusive
-36	63087-000		TUBE ASSEMBLY - Oil pressure	1	28-1761 to 28-2477 inclusive
	65522-000		TUBE ASSEMBLY - Oil pressure	1	28-2478 to 28-4377 inclusive
-37	65804-000	A	BULKHEAD ASSEMBLY - Spinner, front	1	
	65804-004	B	BULKHEAD ASSEMBLY - Spinner, front	1	
-38	65806-000	B	SPACER - Spinner bulkhead	1	
-39	18321-000		PLATE - Firewall seal	2	
-40	63915-003		DISC - Firewall Seal	2	
-41	454-837		CLAMP - Engine breather hose (H-78000)	2	
-42	454-816		CLAMP - Air hose (4-0000)	2	
-43	400-438		BOLT - Spinner (AN3-4A)	12	28-1761 to 28-3585 inclusive
	416-329		SCREW - Spinner (AN525-1032R9)	16	28-3586 to 28-4377 inclusive
	690-612		WASHER - Spinner (NAS1149F0363P)	16	28-3586 to 28-4377 inclusive
	404-526		NUT - Spinner (MS21042-3)	16	28-3586 to 28-4377 inclusive
-44	401-310		BOLT - Spinner bulkhead (AN4-10A)	12	
	690-613		WASHER - Spinner bulkhead (NAS1149F0432P)	12	
	404-530		NUT - Spinner bulkhead (MS21042-4)	12	
-45	18321-000		PLATE - Firewall disc	2	
-46	12693-004		CABLE ASSEMBLY - Throttle control	1	
-47	471-049		* KNOB - Throttle cable (95 black)	1	
-48	63902-003		CABLE ASSEMBLY - Carburetor heat control	1	28-1761 to 28-2627 inclusive
	63902-016		CABLE ASSEMBLY - Carburetor heat control	1	28-2628 to 28-4377 inclusive
-49	471-084		* KNOB - Heat control (233 black)	1	28-1761 to 28-2627 inclusive
	65617-000		* KNOB - Heat control	1	28-2628 to 28-4377 inclusive

A - Used on PA-28-180 airplanes only.
 B - Used on PA-28-150 and PA-28-160 airplanes only.
 C - See Figure 71 for components parts.

When ordering, always specify Part Number, Description, and Serial Number of Aircraft

PIPER PARTS CATALOG

Figure and Index Number	Part Number	Code	NOMENCLATURE	No. Req.	SERIAL NUMBERS AFFECTED
57 -50	63902-008		CABLE ASSEMBLY - Mixture control	1	28-1761 to 28-2627 inclusive
	63902-017		CABLE ASSEMBLY - Mixture control	1	28-2628 to 28-4377 inclusive
-51	471-084		* KNOB - Mixture control (233 black)	1	28-1761 to 28-2627 inclusive
	65618-000		* KNOB - Mixture control	1	28-2628 to 28-4377 inclusive
-52	63916-002		CLAMP - Throttle control cable	1	
-53	554-860		CLAMP - Throttle control cable (RA-4400-1)	2	
-54	70371-002		FITTING - Swivel	1	
-55	70371-003		STUD - Swivel fitting	2	
-56	91193-000		FITTING - Swivel fitting	1	
-57	62833-007		WASHER - Carburetor heat control cable	1	
-58	62978-000		CLIP - Carburetor heat control cable	1	
-59	62171-000		CLAMP - Cable tension	1	
-60	554-859		CLAMP - (MS21919-H-48)	2	
-61	99289-000		CLAMP - Air duct	2	
-62	486-274		BOLT - (MS90725-15)	1	
-63	63915-004		DISC - Firewall seal	2	

When ordering, always specify Part Number, Description, and Serial Number of Aircraft

THIS PAGE INTENTIONALLY LEFT BLANK

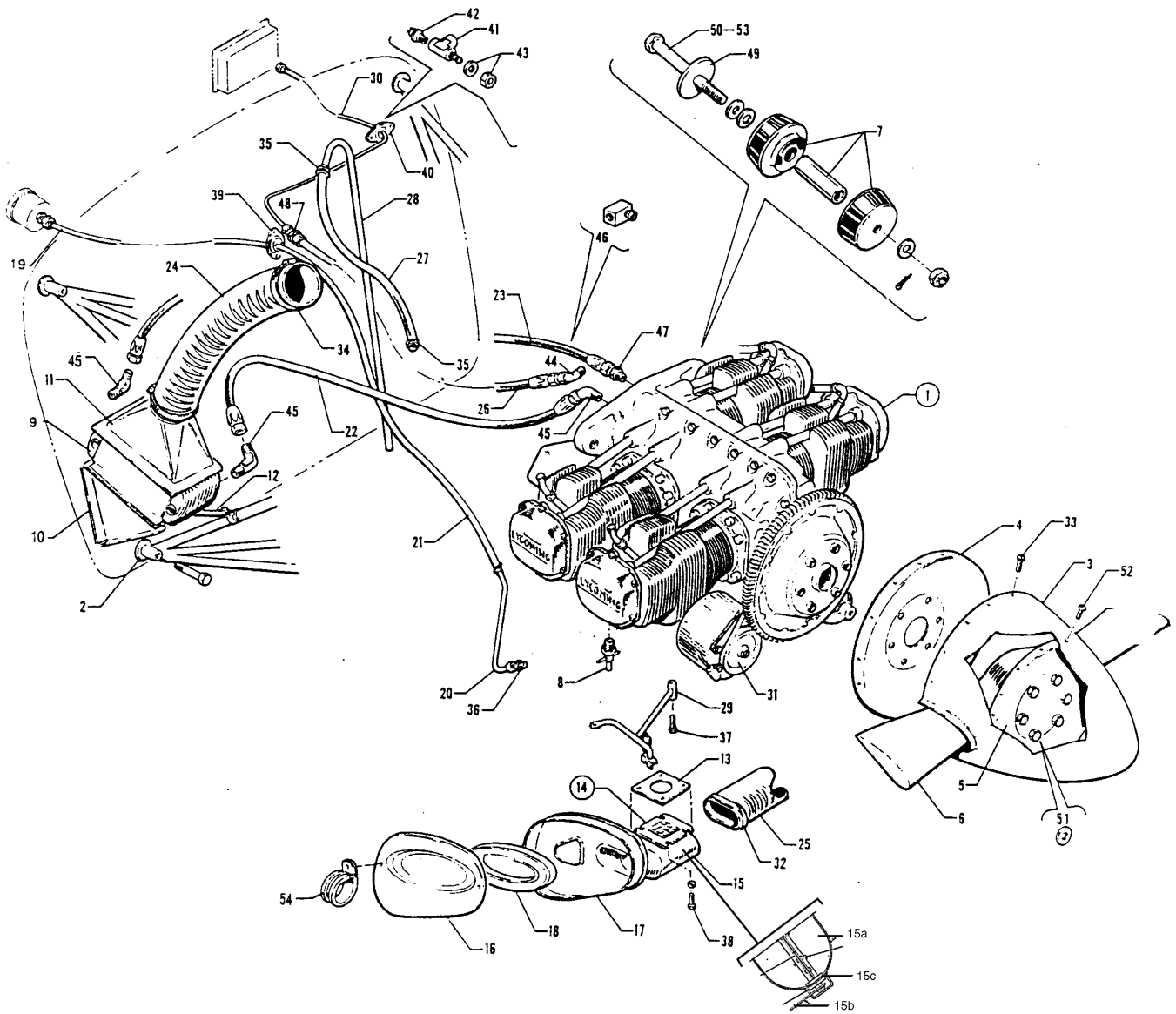


Figure 57A. Powerplant Installation
(PA-28-180 - Serial Nos. 28-4378 and up)

THIS PAGE INTENTIONALLY LEFT BLANK

PIPER PARTS CATALOG

Figure and Index Number	Part Number	Code	NOMENCLATURE	No. Req.	SERIAL NUMBERS AFFECTED
57A-	65851		DRAWING - Powerplant Installation		
-1	-----	A	ENGINE - Lycoming (O-360-A4A)	1	
-2	62297-000		MOUNT ASSEMBLY - Engine and nose gear strut	1	28-4378 to 28-5149 inclusive
	66662-000		MOUNT ASSEMBLY - Engine and nose gear strut	1	28-5150 to 28-7305611 incl.
	66662-014		MOUNT ASSEMBLY - Engine and nose gear strut	1	
-3	65805-000		SPINNER - Propeller	1	
-4	65803-000		BULKHEAD ASSEMBLY - Spinner, rear	1	
-5	65804-000		BULKHEAD ASSEMBLY - Spinner, front	1	
-6	450-957		PROPELLER - Sensenich (76EM8S5-0-60)	1	
-7	475-110		MOUNT - Engine (J7402-24)	4	28-4378 to 28-5149 inclusive
	475-124		MOUNT - Engine (J9613-40)	4	28-5150 and up
-8	61879-002		VALVE ASSEMBLY - Oil drain	1	
	18622-000		OIL RADIATOR	1	
-10	62938-000		BRACKET - Oil radiator	2	
-11	62985-000		ADAPTER ASSEMBLY - Oil radiator	1	
-12	62987-000		TUBE - Oil radiator bracket attachment	1	
-13	63684-004		GASKET - Carburetor air box	1	
-14	62989-000		BOX ASSEMBLY - Carburetor air (complete)	1	
-15	62921-000		* BOX ASSEMBLY - Carburetor air	1	
-15a	62999-000		* VALVE ASSEMBLY - Carburetor air box	1	
-15b	62998-000		* SHAFT ASSEMBLY - Carburetor air box	1	
-15c	434-129		* GROMMET - (AN931-5-9)	2	
-16	65403-000		* COVER ASSEMBLY - Air filter	1	
-17	63246-004		* HOUSING ASSEMBLY - Air filter	1	
-18	460-632		* AIR FILTER - (CA-161PL)	1	
-19	67700-029		TUBE ASSEMBLY - Manifold pressure gauge	1	
-20	62992-000		TUBE ASSEMBLY - Manifold pressure	1	
-21	63913-026		HOSE - Flexible, Manifold pressure	1	
-22	63901-026		HOSE ASSEMBLY - Oil radiator	1	
-23	63901-043		HOSE ASSEMBLY - Oil radiator	1	
-24	63633-088		HOSE - Oil radiator	1	
-25	99944-002		HOSE - Carburetor heat	1	
-26	63901-027		HOSE ASSEMBLY - Oil pressure	1	
-27	63913-042		HOSE - Engine breather	1	
-28	62980-000		TUBE - Engine breather	1	
-29	65861-000		SUPPORT ASSEMBLY - Engine controls	1	28-4378 to 28-5149 inclusive
	69317-000		SUPPORT ASSEMBLY - Engine controls	1	28-5150 and up
-30	67700-038		TUBE ASSEMBLY - Oil pressure	1	28-4378 to 28-5828 inclusive
	67700-053		TUBE ASSEMBLY - Oil pressure	1	28-5829 to 28-7405290 incl.
	67700-088		TUBE ASSEMBLY - Oil pressure, forward	1	28-7505001 and up
	67700-087		TUBE ASSEMBLY - Oil pressure, aft	1	28-7505001 and up
			A - Secure from Lycoming Division - Avco Corporation, Williamsport, Penna.		

When ordering, always specify Part Number, Description, and Serial Number of Aircraft

PIPER PARTS CATALOG

Figure and Index Number	Part Number	Code	NOMENCLATURE	No. Req.	SERIAL NUMBERS AFFECTED
57A-31	-----	A	ALTERNATOR INSTALLATION		
-32	99289-000		CLAMP - Air duct	2	
-33	415-379		SCREW - (MS51958-63)	16	
	690-617		WASHER - (NAS1149C0363R)	16	
	404-526		NUT - (MS21042-3)	16	
-34	454-816		CLAMP - (H4-0000)	2	
-35	454-837		CLAMP - (H78000)	2	
-36	460-685		CONNECTOR - (200 x 4)	1	
-37	486-274		SCREW - Cap (MS90725-15)	1	
-38	401-919		BOLT - (MS20074A-04-04)	4	
	408-051		WASHER - (MS35333-40)	4	
-39	66789-000		PLATE - Firewall seal	2	
	22104-004		GASKET - Firewall seal	2	
	68771-008		GASKET- Firewall seal	1	
-40	66789-000		PLATE - Firewall seal	2	28-4378 to 28-7405290 incl.
	68770-018		GROMMET - Firewall seal	2	28-4378 to 28-7405290 incl.
	68771-006		GASKET - Firewall seal	1	28-4378 to 28-7405290 incl.
-41	79038-000		TEE - Bulkhead fitting	1	28-7505001 and up
-42	587-961		SWITCH - (M-4011-35)	1	28-7505001 and up
-43	690-626		WASHER - (NAS1149F0732P)	1	28-7505001 and up
	477-629		NUT - (AN924-4)	1	28-7505001 and up
-44	68778-000		ELBOW - Oil pressure hose	1	
-45	458-855		ELBOW - (AN823-8)	3	
-46	69301-000		FITTING - Elbow, oil pressure line	1	
-47	476-688		NIPPLE - (AN816-8)	1	
-48	491-055		UNION - (AN815-4)	1	
-49	85012-101		WASHER - Bottom engine to mount	2	28-5150 and up
-50	401-543		BOLT - Top engine to mount (AN7-43A)	2	28-5150 and up
	401-544		BOLT - Bottom engine to mount (AN7-44)	2	28-5150 and up
	690-630		WASHER - (NAS1149F0763P)	4	28-5150 and up
	404-891		NUT - (MS20365-720C)	4	28-5150 and up
-51	62833-029		WASHER - Propeller	6	
-52	415-379		SCREW - (MS51958-63)	8	
	690-614		WASHER - (NAS1149C0332R)	8	
-53	401-535		BOLT - (AN7-35A)	4	28-4378 to 28-5149 inclusive
	690-630		WASHER - (NAS1149F0763P)	12	28-4378 to 28-5149 inclusive
	404-891		NUT - (MS20365-720C)	4	28-4378 to 28-5149 inclusive
-54	554-859		CLAMP - (MS21919-H-48)	2	
			A - See Figure 71 for component parts if a Chrysler alternator is installed. See Figure 32A if a Prestolite alternator, with air conditioning, is installed.		

When ordering, always specify Part Number, Description, and Serial Number of Aircraft

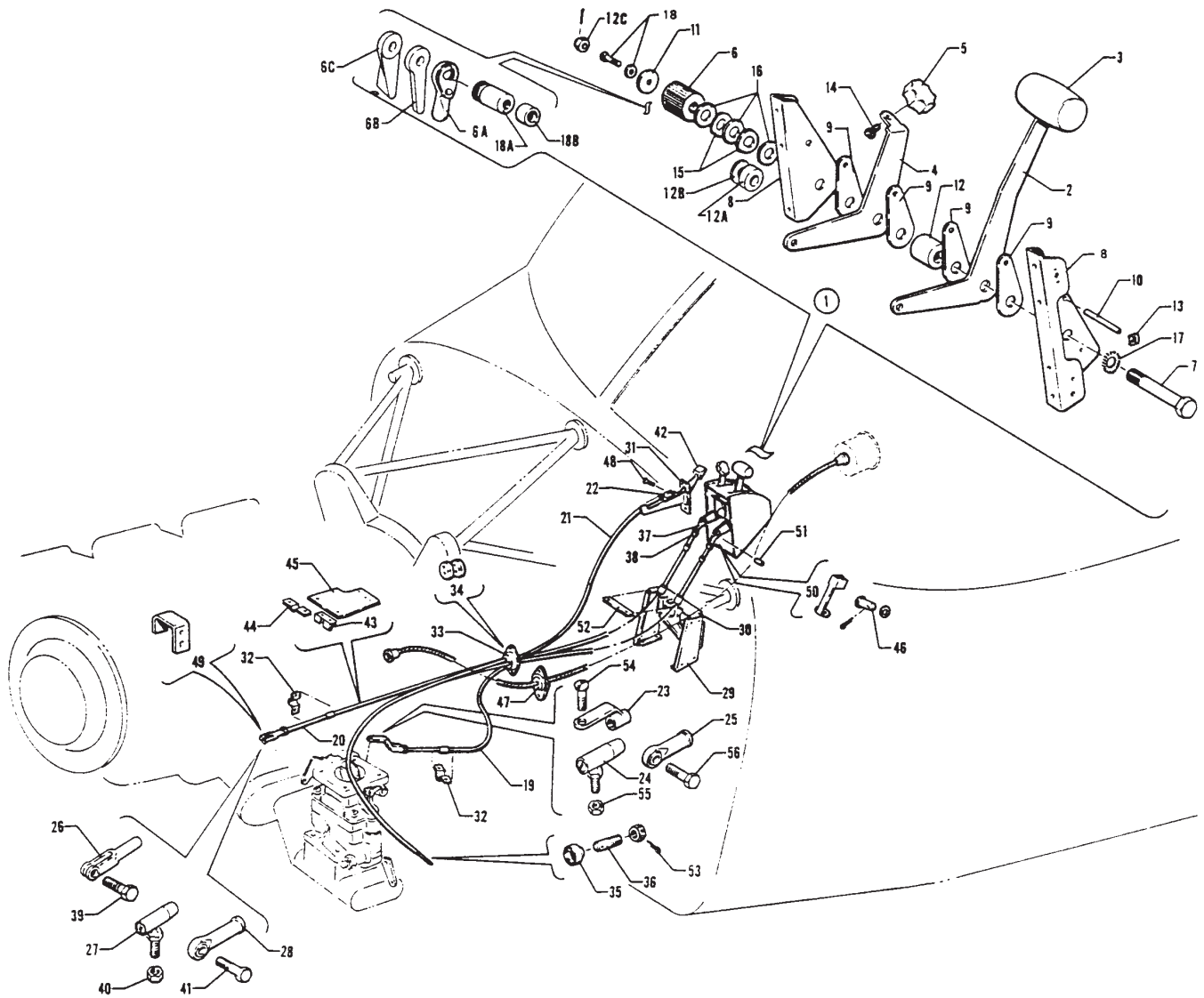


Figure 57B. Engine Controls Installation
 (PA-28-140 - Serial Nos. 28-25000 and up)
 (PA-28-180 - Serial Nos. 28-4378 and up)
 (PA-28-235 - Serial Nos. 28-11040 to 28-7210033 inclusive)

THIS PAGE INTENTIONALLY LEFT BLANK

PIPER PARTS CATALOG

Figure and Index Number	Part Number	Code	NOMENCLATURE	No. Req.	SERIAL NUMBERS AFFECTED
57B-	65848 69263 66733	B C G	DRAWING - Engine Controls Installation DRAWING - Engine Controls Installation DRAWING - Engine Controls Installation		
-1	65850-000	D	QUADRANT ASSEMBLY - Control	1	
-2	67223-000		* LEVER ASSEMBLY - Throttle	1	
-3	66979-000		* * KNOB - Throttle Lever	1	
-4	67214-000		* LEVER - Mixture control	1	
-5	24048-000		* KNOB - Mixture control (571-044)	1	
-6	67220-000		* KNOB - Quadrant adjusting	1	
-6a	24358-000		* HANDLE ASSEMBLY - Quadrant adjusting (2.75" L)	1	
-6b	66773-000		* HANDLE - Quadrant adjusting (2.72" L)	1	
-6c	63039-004		* HANDLE - Quadrant adjusting (2.94" L)	1	
-7	67217-000	E	* SHAFT - Quadrant (2.46" L)	1	
	418-457	F	* SCREW - Cap (MS35291-42) (2.50" L)	1	
	400-749	H	* BOLT - (AN25-52) (3.30" L)	1	
	400-171	J	* BOLT - (AN5-30) (3.09" L)	1	
-8	67215-000	E,F	* BRACKET ASSEMBLY - Quadrant, left	1	
	67215-003	H,J	* BRACKET ASSEMBLY - Quadrant, left	1	
	67216-000		* BRACKET ASSEMBLY - Quadrant, right	1	
-9	67218-000		* PLATE - Quadrant, friction (.031 thick)	2	
	67218-002		* PLATE - Quadrant, friction (.062 thick)	2	
-10	67221-000		* PIN - Quadrant, friction plate	1	
-11	68699-003	E	* SPACER - Quadrant (.040" L)	1	
-12	68699-005		* SPACER - Quadrant (1.052" L)	1	
	68699-011		* SPACER - Quadrant (.992" L)	1	
-12a	66774-000	H,J	* CAM - Quadrant adjusting	1	
-12b	62833-046	H,J	* WASHER - (.032" thick)	1	
-12c	404-394	H,J	* NUT - (AN320-5)	1	
	424-051	H,J	* COTTER PIN - (MS24665-132)	1	
-13	406-369		* NUT - (Tinnerman A1037-012-3)	2	
-14	415-448		* SCREW - (AN526-832R6)	1	
-15	408-815	H,J	* WASHER - (3502-18-04)	2	
-16	690-619		* WASHER - (NAS1149F0532P)	AR	
-17	408-045	E	* WASHER - (MS35333-41)	1	
-18	415-148	E	* SCREW - (AN526-632R6)	1	
	407-041	E	* WASHER - (MS35338-41)	1	
-18a	24357-000	F	* NUT - Quadrant adjusting	1	
-18b	62714-004	F	* BEARING - Quadrant control	1	
			A - Used on PA-28-140 with serial numbers 28-25000 and up, PA-28-180 with serial numbers 28-4378 and up, and PA-28-235 with serial numbers 28-11040 to 28-7210033 inclusive.		
			B - Used on PA-28-180 airplanes only.		
			C - Used on PA-28-235 airplanes only		
			D - See Figure 67A if Constant Speed Propeller is installed.		
			E - Used if a quadrant adjusting knob (Part Number 67220-000) is installed.		
			F - Used if a 2.75" L quadrant adjusting handle assembly (Part Number 24358-000) is installed.		
			G - Used on PA-28-140 airplanes only.		
			H - Used if a 2.72" L quadrant adjusting handle (Part Number 66773-000) is installed.		
			J - Used if a 2.94" L quadrant adjusting handle (Part Number 63039-004) is installed.		

When ordering, always specify Part Number, Description, and Serial Number of Aircraft

PIPER PARTS CATALOG

Figure and Index Number	Part Number	Code	NOMENCLATURE	No. Req.	SERIAL NUMBERS AFFECTED	
57B-19 -20 -21	455-332	C,F	CONTROL ASSEMBLY - Mixture	1		
	455-352	D,G	CONTROL ASSEMBLY - Mixture	1		
	455-333	C,F,H	CONTROL ASSEMBLY - Throttle	1		
	455-350	G,H	CONTROL ASSEMBLY - Throttle	1		
	67639-008	D,H	CONTROL ASSEMBLY - Throttle	1		
	760-780	J	KIT - Throttle control modification	1		
	66856-007	E	CABLE ASSEMBLY - Carburetor heat	1		
	66856-019	D	CABLE ASSEMBLY - Carburetor heat	1	28-25000 to 28-25821 incl.	
	554-093	D	CABLE ASSEMBLY - Carburetor heat	1	28-25822 to 28-7425418 incl.	
	554-094	D	CABLE ASSEMBLY - Carburetor heat	1	28-7425419 and up	
	554-094	C	CABLE ASSEMBLY - Carburetor heat	1	28-11253 and up	
	554-095	B	CABLE ASSEMBLY - Carburetor heat	1	28-5399 and up	
				<p>A - Used on PA-28-140 with serial numbers 28-25000 and up, PA-28-180 with serial numbers 28-4378 and up, and PA-28-235 with serial numbers 28-11040 to 28-7210033 inclusive.</p> <p>B - Used on PA-28-180 airplanes only.</p> <p>C - Used on PA-28-235 airplanes only.</p> <p>D - Used on PA-28-140 airplanes only.</p> <p>E - Used on PA-28-180 with serial numbers 28-4378 to 28-5398 inclusive, and PA-28-235 with serial numbers 28-11040 to 28-11252 inclusive.</p> <p>F - Used on PA-28-180 with serial numbers 28-4378 to 285152 inclusive.</p> <p>G - Used on PA-28-180 with serial numbers 28-5153 and up.</p> <p>H - Reference latest revision of Piper Service Bulletin 940 on Throttle Actuated Gear Warning Horn Microswitch issue affecting PA-28R-180 aircraft with serial numbers 28R-30001 thru 28R-7130013 inclusive.</p> <p>J - Reference latest revision of Piper Service Letter 670. Used in PA-28-140 aircraft with serial numbers 28-25001 to 28-6331 inclusive, 28-6401 to 28-26946 inclusive, 28-7125001 to 28-7125641 inclusive, and 28-7225001 to 28-7225373 inclusive.</p>		

When ordering, always specify Part Number, Description, and Serial Number of Aircraft

PIPER PARTS CATALOG

Figure and Index Number	Part Number	Code	NOMENCLATURE	No. Req.	SERIAL NUMBERS AFFECTED
57B-22	554-757	E	CLEVIS - Carburetor heat (MS35812-1)	1	
-23	69222-000		ARM ASSEMBLY - Mixture control	1	
-24	31747-000		BALLJOINT ASSEMBLY - Mixture control	1	
-25	452-606		BEARING - Rod end, Mixture control	1	
-26	554-757		CLEVIS - Throttle control (MS35812-1)	1	
-27	31747-000		BALLJOINT ASSEMBLY - Throttle control	1	
-28	452-606		BEARING - Rod end, throttle control	1	
-29	67206-000	G	SUPPORT ASSEMBLY - Engine controls	1	
	67206-002	D	SUPPORT ASSEMBLY - Engine controls	1	
-30	67224-000	G	* BRACKET ASSEMBLY - Engine controls	1	
	67224-003	D	* BRACKET ASSEMBLY - Engine controls	1	
-31	66855-000	F	CONTROL MOUNT - Carburetor heat	1	
	66835-000	E	CONTROL MOUNT - Carburetor heat	1	
-32	18219-002	B,C	CLAMP - Control cable	2	
<p>A - Used on PA-28-140 with serial numbers 28-25000 and up, PA-28-180 with serial numbers 28-4378 and up, and PA-28-235 with serial numbers 28-11040 to 28-7210033 inclusive.</p> <p>B - Used on PA-28-180 airplanes only.</p> <p>C - Used on PA-28-140 airplanes only.</p> <p>D - Used on PA-28-180 with serial numbers 28-5153 and up, and PA-28-235 with serial numbers 28-11301 to 28-7210033 inclusive.</p> <p>E - Used on PA-28-140 with serial numbers 28-25822 and up, PA-28-180 with serial numbers 28-5399 and up, and PA-28-235 with serial numbers 28-11253 to 28-7210033 inclusive.</p> <p>F - Used on PA-28-180 with serial numbers 28-4378 to 28-5398 inclusive, PA-28-235 with serial numbers 28-11040 to 28-11252 inclusive, and PA-28-140 with serial numbers 28-25000 to 28-25821 inclusive.</p> <p>G - Used on PA-28-180 with serial numbers 28-4378 to 28-5152 inclusive, PA-28-235 with serial numbers 28-11040 to 28-11300 inclusive, and PA-28-140 with serial numbers 28-25000 and up.</p>					

When ordering, always specify Part Number, Description, and Serial Number of Aircraft

PIPER PARTS CATALOG

Figure and Index Number	Part Number	Code	NOMENCLATURE	No. Req.	SERIAL NUMBERS AFFECTED
57B-33	18321-000	B	PLATE - Firewall seal	2	
-34	63915-021	B	DISC - Firewall seal	2	
-35	70371-002		FITTING - Swivel	1	
-36	70371-003		STUD - Swivel fitting	1	
-37	488-327		TERMINAL - (AN665-21R)	2	
-38	404-224		NUT - (AN315-3R)	4	
	407-043		WASHER - (MS35338-43)	4	
-39	400-674		SCREW - (AN23-12)	1	
	404-100		NUT - (AN310-3)	1	
	424-051		COTTER PIN - (MS24665-132)	1	
-40	690-612		WASHER - (NAS1149F0363P)	1	
	404-526		NUT - (MS21042-3)	1	
-41	400-057	C,D	BOLT - (AN3-11)	1	
	400-054	E	BOLT - (AN3-7)	1	
	95061-121	C,D	BUSHING - (O.D. .25 x I.D. .028 x L .157)	1	
	63900-078		BUSHING - (O.D. .312 x I.D. .205 x L .125)	1	
	62833-101		WASHER	1	
	690-612	C,D	WASHER - (NAS1149F0363P)	1	
	407-043	E	WASHER - (MS35338-43)	1	
	404-100		NUT - (AN310-3)	1	
	424-051		Part Number - Cotter (MS24665-132)	1	
-42	22287-000	G	KNOB - Carburetor heat	1	
	66980-000	F	KNOB - Carburetor heat	1	
-43	69011-000	C	LUG - Control cable support bracket	2	
-44	69012-000	C	CLAMP - Control cable support attachment	2	
-45	69316-000	C	BRACKET - Engine controls	1	
-46	524-145	H	PIN - (MS20392-2C11)	2	
	690-609	H	WASHER - (NAS1149F0332P)	2	
	424-051	H	COTTER PIN - (MS24665-132)	2	
			A - Used on PA-28-140 with serial numbers 28-2500 and up, PA-28-180 with serial numbers 28-4378 and up, and PA-28-235 with serial numbers 28-11040 to 28-7210033 inclusive.		
			B - Used on PA-28-140 with serial numbers 28-25000 and up, PA-28-180 with serial numbers 28-4378 to 28-7305611 inclusive, and PA-28-235 with serial numbers 28-11040 to 28-7210033 inclusive.		
			C - Used on PA-28-235 airplanes only.		
			D - Used on PA-28-180 airplanes only.		
			E - Used on PA-28-140 airplanes only.		
			F - Used on PA-28-140 with serial numbers 28-26401 and up, PA-28-180 with serial numbers 28-5601 and up, and PA-28-235 with serial numbers 28-11301 to 28-7210033 inclusive.		
			G - Used on PA-28-140 with serial numbers 28-25000 to 28-26400 inclusive, PA-28-180 with serial numbers 28-4378 to 28-5600 inclusive, and PA-28-235 with serial numbers 28-11040 to 28-11300 inclusive.		
			H - Used on PA-28-140 with serial numbers 28-25000 and up, PA-28-180 with serial numbers 28-4937 and up, and PA-28-235 with serial numbers 28-11051 to 28-7210033 inclusive.		

When ordering, always specify Part Number, Description, and Serial Number of Aircraft

PIPER PARTS CATALOG

Figure and Index Number	Part Number	Code	NOMENCLATURE	No. Req.	SERIAL NUMBERS AFFECTED
57B-47	68771-006		GASKET - Firewall, tachometer shaft	1	
	22103-003		PLATE - Firewall, tachometer shaft	2	
	68770-018		GROMMET - Firewall, tachometer shaft	2	
-48	400-674	B	SCREW - (AN23-12)	1	
	690-612	B	WASHER - (NAS1149F0363P)	1	
	404-100	B	NUT - (AN310-3)	1	
	424-051	B	COTTER PIN - (AN380-2-2)	1	
-49	99929-000	C	BRACKET - Throttle arm	1	
-50	24123-000	H	CLIP - Pin retainer	2	
-51	86092-082	H	PIN - Clevis terminal	2	
-52	67225-000		RETAINER - Engine controls	1	
-53	404-392	E,G	NUT - (AN320-3)	1	
	404-100	F	NUT - (AN310-3)	1	
	424-051		COTTER PIN - (AN380-2-2)	1	
	690-612	D	WASHER - (NAS1149F0363P)	1	
-54	400-673		SCREW - (AN23-11)	1	
	63900-119		BUSHING	1	
	690-612		WASHER - (NAS1149F0363P)	1	
	404-100		NUT - (AN310-3)	1	
	424-051		COTTER PIN - (MS24665-132)	1	
-55	63900-119		BUSHING	1	
	404-526		NUT - (MS21042-3)	2	
	690-612		WASHER (NAS1149F0363P)	2	
-56	400-055		BOLT - (AN3-10)	1	
	63900-119		BUSHING	1	
	63900-078		BUSHING	1	
	407-043		WASHER - (MS35338-43)	1	
	62833-101		WASHER	1	
	404-100		NUT - (AN310-3)	1	
	424-051		COTTER PIN - (MS24665-132)	1	
			A - Used on PA-28-140 with serial numbers 28-25000 and up, PA-28-180 with serial numbers 28-4378 and up, and PA-28-235 with serial numbers 28-11040 to 28-7210033 inclusive.		
			B - Used on PA-28-140 with serial numbers 28-25822 and up, PA-28-180 with serial numbers 28-5399 and up and PA-28-235 with serial numbers 28-11253 to 28-7210033 inclusive.		
			C - Used on PA-28-140 airplanes only.		
			D - Used on PA-28-180 with serial numbers 28-4378 to 28-5398 inclusive, PA-28-235 with serial numbers 28-11040 to 28-11252 inclusive, and PA-28-140 with serial numbers 28-25000 to 28-25821 inclusive.		
			E - Used on PA-28-180 airplanes only.		
			F - Used on PA-28-180 with serial numbers 28-5153 and up.		
			G - Used on PA-28-235 airplanes only.		
			H - Used on PA-28-180 with serial numbers 28-4378 to 28-4936 inclusive, and PA-28-235 with serial numbers 28-11040 to 28-11050 inclusive.		

When ordering, always specify Part Number, Description, and Serial Number of Aircraft

THIS PAGE INTENTIONALLY LEFT BLANK

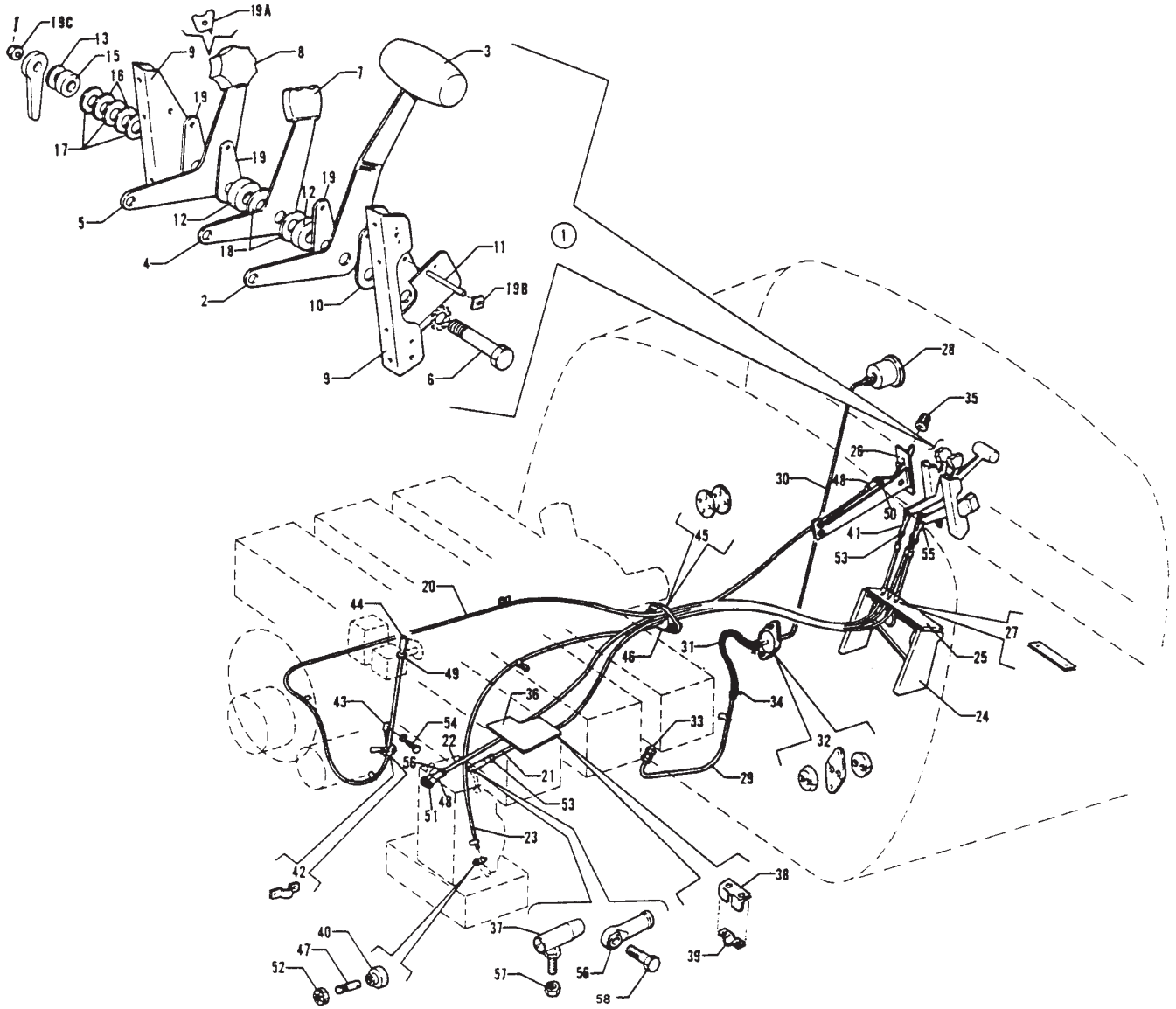


Figure 57C. Engine Controls Installation
(PA-28-235 - Serial Nos. 28-7310001 and up)

THIS PAGE INTENTIONALLY LEFT BLANK

PIPER PARTS CATALOG

Figure and Index Number	Part Number	Code	NOMENCLATURE	No. Req.	SERIAL NUMBERS AFFECTED	
57C-	69263		DRAWING - Engine Controls Installation			
-1	67210-002		QUADRANT ASSEMBLY - Control	1	28-7310001 to 28-7410120 incl. 28-7510001 and up	
	67210-004		QUADRANT ASSEMBLY - Control	1		
	67210-008		ACTUATOR ARM - Quad assembly	1		
-2	67223-000		* LEVER ASSEMBLY - Throttle	1		
-3	66979-000		* * KNOB - Throttle lever (571-129)	1		
-4	67213-000		* LEVER - Propeller control	1		
-5	67214-000		* LEVER - Mixture control	1		
-6	400-749	A	* BOLT - (AN25-52)	1		
	400-171	B	* BOLT - (AN5-30)	1		
-7	24047-000		* KNOB - Propeller control (571-043)	1		
-8	24048-000		* KNOB - Mixture control (571-044)	1		
-9	6721 5-003		* BRACKET ASSEMBLY - Quadrant, left	1		
	6721 6-000		* BRACKET ASSEMBLY - Quadrant, right	1		
-10	672 18-000		* PLATE - Quadrant control, friction	2		
-11	67221-000		* PIN - Quadrant friction plate	1		
-12	68699-010		* SPACER - Quadrant control	2		
-13	62833-046		* WASHER - Quadrant adjusting (.032" L)	1		
-14	66773-000		* HANDLE - Quadrant adjusting (2.72" L)	1		
	63039-004		* HANDLE - Quadrant adjusting (2.94" L)	1		
-15	66774-000		* CAM - Quadrant adjusting	1		
-16	408-815		* WASHER - (3502-18-04)	2		
-17	690-619		* WASHER - (NAS1149F0532P)	AR		
-18	62833-050		* WASHER - Quadrant control, friction	2		
-19	67218-002		* PLATE - Quadrant control, friction	2		
-19a	79473-000		* PLATE - Mixture control	1		28-7510001 and up
-19b	406-369		* NUT - (Tinnerman A1037-0120-3)	2		
-19c	404-394		* NUT - (AN320-5)	1		
	424-051		* COTTER PIN - (MS24665-132)	1		
-20	455-344		CONTROL ASSEMBLY - Governor	1		
-21	455-332		CONTROL ASSEMBLY - Mixture	1		
-22	455-333		CONTROL ASSEMBLY - Throttle cable	1		
-23	66836-004		CABLE ASSEMBLY - Carburetor heat	1		
-24	67206-002		SUPPORT ASSEMBLY - Engine controls	1		
-25	67224-003		* BRACKET ASSEMBLY - Engine controls	1		
-26	66835-000		CONTROL MOUNT - Carburetor heat	1		
-27	67225-000		RETAINER - Engine controls	1		
-28	751-118		GAUGE - Manifold pressure	1		
-29	65438-000		TUBE ASSEMBLY - Manifold pressure gauge	1		
-30	67700-041		TUBE ASSEMBLY - Manifold pressure gauge	1		
-31	63913-069		HOSE - Manifold pressure gauge	1		
-32	68771-008		GASKET - Firewall seal	1		
	68770-006		GROMMET - Firewall seal	2		
			A - Used if a 2.72" L quadrant adjusting handle is installed. B - Used if a 2.94" L quadrant adjusting handle is installed.			

When ordering, always specify Part Number, Description, and Serial Number of Aircraft

PIPER PARTS CATALOG

Figure and Index Number	Part Number	Code	NOMENCLATURE	No. Req.	SERIAL NUMBERS AFFECTED
57C-33	460-685		CONNECTOR - (W/H 200 x 4)	1	
-34	454-983		CLAMP - (SAE 8)	2	
-35	66980-000		KNOB - Carburetor heat	1	
-36	69316-000		BRACKET - Engine controls	1	
-37	31747-000		JOINT ASSEMBLY - Ball	1	
-38	69011-000		LUG - Control cable support bracket	2	
-39	69012-000		CLAMP - Control cable support attachment	2	
-40	70371-002		FITTING - Swivel	1	
-41	488-327		TERMINAL - (AN665-21R)	3	
-42	18219-002		CLAMP - Control cable bracket	1	
-43	69546-000		BRACKET ASSEMBLY - Control cable	1	
-44	31747-000		JOINT ASSEMBLY - Ball	1	
-45	63915-020		DISC - Firewall seal	2	
-46	18321-000		PLATE - Firewall seal	2	
-47	70371-003		STUD - Swivel fitting	1	
-48	554-757		CLEVIS - (RA-13-187-2C)	2	
-49	404-224		NUT - (AN315-3R)	1	
-50	400-674		SCREW - (AN23-12)	1	
	690-612		WASHER - (NAS1149F0363P)	2	
	404-100		NUT - (AN310-3)	1	
	424-051		COTTER PIN - (AN380-2-2)	1	
-51	400-674		SCREW - (AN23-12)	1	
	404-100		NUT - (AN310-3)	1	
	424-051		COTTER PIN - (AN380-2-2)	1	
-52	404-392		NUT - (AN320-3)	1	
	424-051		COTTER PIN - (AN380-2-2)	1	
-53	407-043		WASHER - (MS35338-43)	5	
	404-224		NUT - (AN315-3R)	5	
-54	418-420		SCREW - Cap (1/4-20 NC-2 x 1/2)	1	
	407-044		WASHER - (MS35338-44)	1	
-55	524-145		PIN - (MS20392-2C11)	3	
	690-609		WASHER - (NAS1149F0332P)	3	
	424-051		COTTER PIN - (MS24665-132)	3	
-56	452-606		BEARING - Rod end	1	
-57	63900-119		BUSHING	1	
	690-612		WASHER - (NAS1149F0363P)	1	
	404-526		NUT - (MS21042-3)	1	
-58	400-055		BOLT - (AN3-10)	1	
	63900-119		BUSHING - (O.D. .250 x I.D. .028 x L .150)	1	
	63900-078		BUSHING - (O.D. .312 x I.D. .206 x L .125)	1	
	62833-103		WASHER - (O.D. .312 x I.D. .196)	1	
	62833-101		WASHER - (O.D. .562 x I.D. .191)	1	
	404-100		NUT - (AN310-3)	1	
	424-051		COTTER PIN - (MS24665-132)	1	

When ordering, always specify Part Number, Description, and Serial Number of Aircraft

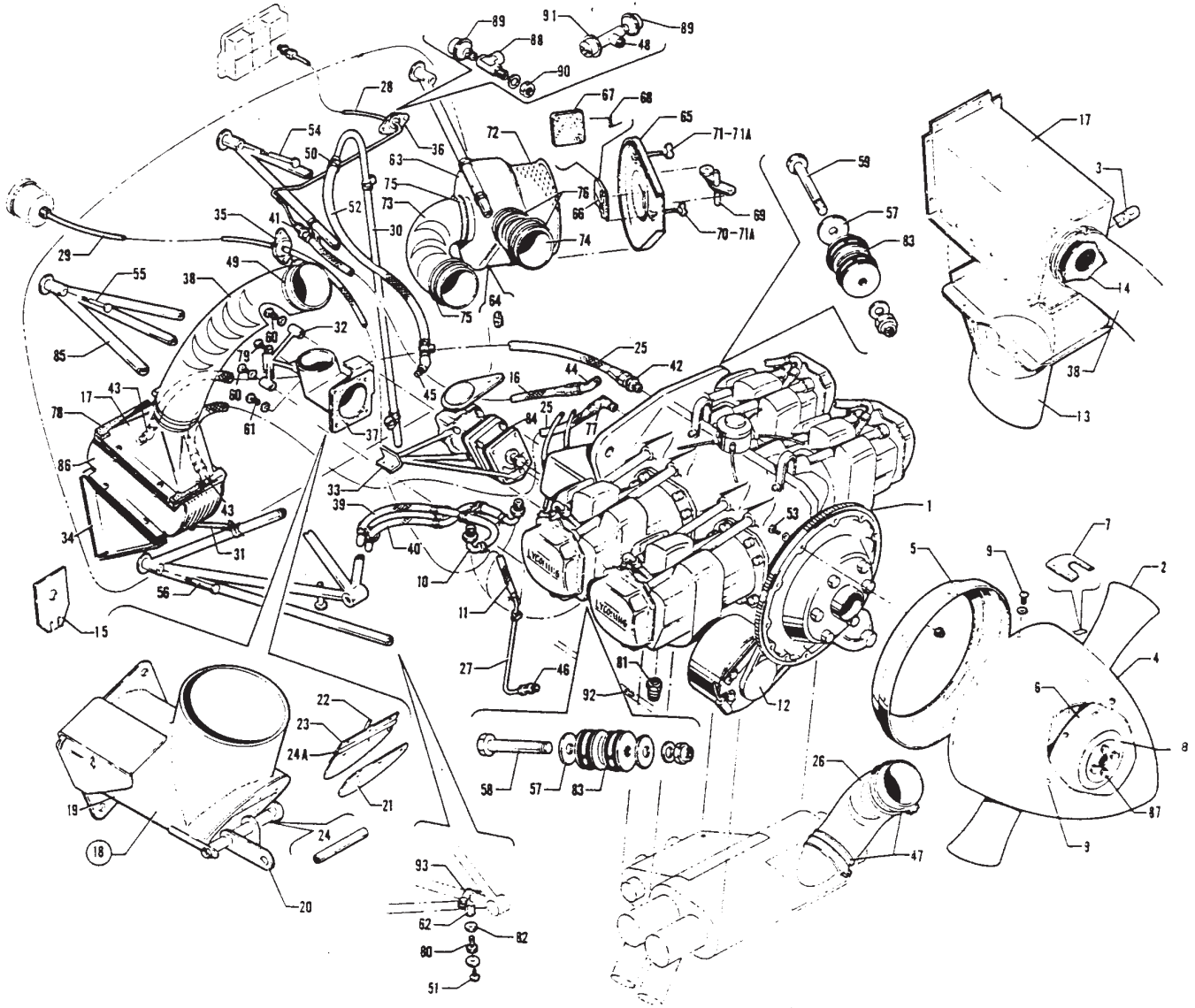


Figure 58. Powerplant Installation

THIS PAGE INTENTIONALLY LEFT BLANK

PIPER PARTS CATALOG

Figure and Index Number	Part Number	Code	NOMENCLATURE	No. Req.	SERIAL NUMBERS AFFECTED
58-	67009 67800	A B	DRAWING - Powerplant Installation DRAWING - Powerplant Installation		
-1		A,C B,C	ENGINE - Lycoming (IO-360-B1E) ENGINE - Lycoming (IO-360-C1C)	1 1	28R-30482, 28R-35001 to 28R-7635516 inclusive 28R-7635517 and up
-2	550-934 550-935	B,C A,E B,E	ENGINE - Lycoming (IO-360-C1C6) PROPELLER ASSEMBLY - Hartzell (HC-2YK-1BF/F766A) PROPELLER ASSEMBLY - Hartzell (HC-2YK-1BF/F766A-2)	1 1 1	28R-30482, 28R-35001 to 28R-7635516 inclusive 28R-7635517 and up
-3	550-974 67847-000	B,F B	PROPELLER ASSEMBLY - McCauley (B2D34C213/90DHA-16) CLIP	1 1	
-4	67790-000	D	SPINNER SHELL - Propeller	1	
-5	67791-000	D	BULKHEAD ASSEMBLY - Spinner aft	1	
-6	67793-000 35827-002	D,G B	BULKHEAD ASSEMBLY - Spinner forward BULKHEAD ASSEMBLY - Spinner forward	1 1	28R-7635517 and up
-7	67794-000	D	CUFF - Spinner	2	
-8	99499-000	D,G	PLATE - Spinner	1	
-9	415-379 494-227	D D	SCREW - (MS51958-63) WASHER - Fiber	28 28	
-10	24995-000		VALVE ASSEMBLY - Drain	2	
<p>A - Used on PA-28R-180 airplanes only. B - Used on PA-28R-200 airplanes only. C - Secure from Lycoming Division-Avco Corporation, Williamsport, Penna. D - If existing spinner is constructed fiberglass, order Spinner Replacement Kit 760-410. E - See Figure 67B for component parts. F - See Figure 67C for component parts. G - Used on PA-28R-180, and PA-28R-200 with serial numbers 28R-30482, 28R-35001 to 28R-7635516 inclusive.</p>					

When ordering, always specify Part Number, Description, and Serial Number of Aircraft

PIPER PARTS CATALOG

Figure and Index Number	Part Number	Code	NOMENCLATURE	No. Req.	SERIAL NUMBERS AFFECTED
58 -11	63913-026		HOSE - Flexible	1	
-12	-----	E	ALTERNATOR INSTALLATION		
-13	67844-000	B	DUCT ASSEMBLY	1	
-14	67849-000	B	WINTERIZATION KIT ASSEMBLY - Oil cooler	1	
-15	67769-004	A	WINTERIZATION KIT ASSEMBLY - Oil cooler	1	
-16	63901-036		HOSE ASSEMBLY - Flexible	1	
-17	62985-000	A	ADAPTER ASSEMBLY - Oil radiator air	1	
	67845-000	B	PLENUM ASSEMBLY	1	
-18	67660-000	C	ADAPTER ASSEMBLY - Alternate air inlet and throttle bracket (without air gate)	1	
	99047-000	D,F	ADAPTER ASSEMBLY - Alternate air inlet and throttle bracket (with air gate)	1	
-19	67779-000	D	TUBE ASSEMBLY - Alternate air inlet	1	
-20	67777-000	D	LEVER ASSEMBLY - Alternate air inlet	1	
-21	67776-000	D	SEAL - Alternate air inlet	1	
			A - Used on PA-28R-180 airplanes only.		
			B - Used on PA-28R-200 airplanes only.		
			C - Used on PA-28R-180 with serial numbers 28R-30005 to 28R-30481 inclusive, 28R-30483 to 28R-31279 inclusive, and PA-28R-200 with serial numbers 28R-30482, 28R-35001 to 28R-35830 inclusive.		
			D - Used on PA-28R-180 with serial numbers 28R-7130001 and up, and PA-28R-200 with serial numbers 28R-7135001 and up.		
			E - See Figure 71 for component parts if a Chrysler alternator is installed. See Figure 32A if a Prestolite alternator, with air conditioning, is installed.		
			F - Reference latest revision of Piper Service Bulletin 1118, which states that Alternate Air Inlet and Throttle Bracket With Air Gate (Part Number 99047-000) may have been delivered with incorrectly assembled components.		

When ordering, always specify Part Number, Description, and Serial Number of Aircraft

PIPER PARTS CATALOG

Figure and Index Number	Part Number	Code	NOMENCLATURE	No. Req.	SERIAL NUMBERS AFFECTED
58 -22	24582-000	E	* SPRING - Alternate air inlet	1	
-23	23809-005	E	* HINGE - Half, alternate air inlet	1	
-24	63900-096	E	* BUSHING - Alternate air inlet	1	
-24a	23809-006	E	* PIN - Hinge	1	
-25	63901-043		HOSE ASSEMBLY - Oil cooler	2	
-26	63633-046	A,C	HOSE - Air duct	1	
	67876-000	B	HOSE - Air duct	1	28R-7235001 and up
-27	62992-000	A	TUBE ASSEMBLY - Manifold pressure	1	
	36692-002	B	TUBE ASSEMBLY - Manifold pressure	1	
-28	67700-027	F	TUBE ASSEMBLY - Oil pressure	1	
	67700-089	B	TUBE ASSEMBLY - Oil pressure, forward	1	28R-7535001 and up
	67700-087	B	TUBE ASSEMBLY - Oil pressure, aft	1	28R-7535001 and up
-29	67700-029		TUBE ASSEMBLY - Manifold pressure gauge	1	
-30	62980-000	D	TUBE - Engine breather	1	
	76434-000	B	TUBE - Engine Breather	1	28R-7435001 and up
-31	67134-000	A	BRACKET SUPPORT - Oil cooler	1	
-32	67605-000		BRACKET ASSEMBLY - Throttle control	1	28R-30005 to 28R-30478 incl.
-33	68026-000		BRACKET ASSEMBLY - Governor support	1	
-34	62938-000	A	BRACKET - Oil radiator, left	1	
	62938-001	A	BRACKET - Oil radiator, right	1	
-35	68771-009		GASKET - Firewall	1	
	66789-000		PLATE - Firewall	2	
	68770-011		GROMMET - Firewall	2	
-36	22105-010	F	GASKET - Firewall	1	
	66789-000	F	PLATE - Firewall	2	
	68770-018	F	GROMMET - Firewall	2	
-37	63684-004		GASKET - Vellumoid	1	
-38	63633-057	A	HOSE - Air duct	1	
	63633-063	B	HOSE - Air duct	1	
-39	69015-007	A	HOSE - Flexible	1	
-40	69015-006		HOSE - Flexible	1	
-41	491-055		UNION - (AN815-4)	1	
-42	476-688		NIPPLE - (AN816-8)	1	
-43	458-886	A	ELBOW - 45° (AN823-8D)	2	
	458-855	B	ELBOW - (AN823-8)	1	
-44	68778-000		ELBOW - 45°, Restricted	1	
-45	458-870		ELBOW - 45° (AN844-10D)	1	
-46	460-685		CONNECTOR - (200 x 4)	1	
-47	554-804	A,C	CLAMP - (H3-5800)	2	
	554-866	B	CLAMP - (SAE TY F-48SS)	1	28R-7235001 and up

A - Used on PA-28R-180 airplanes only.
 B - Used on PA-28R-200 airplanes only.
 C - Used on PA-28R-200 with serial numbers 28R-30482, 28R-35001 to 28R-7135238 inclusive.
 D - Used on PA-28R-180 with serial numbers 28R-30005 to 28R-7130019 inclusive, and PA-28R-200 with serial numbers 28R-30482, 28R-35001 and up.
 E - Used on PA-28R-180 with serial numbers 28R-7130001 and up, and PA-28R-200 with serial numbers 28R-7135001 and up.
 F - Used on PA-28R-180 with serial numbers 28R-30005 to 28R-7130019 inclusive, and PA-28R-200 with serial numbers 28R-30482, 28R-35001 to 28R-7435331 inclusive.

When ordering, always specify Part Number, Description, and Serial Number of Aircraft

PIPER PARTS CATALOG

Figure and Index Number	Part Number	Code	NOMENCLATURE	No. Req.	SERIAL NUMBERS AFFECTED		
58 -48	588-469	B,E	TEE - (1/8 MMS-S)	1	28R-7535001 and up		
-49	554-897		CLAMP - (SAE TY F-80)	2			
-50	454-837		CLAMP - (H-78000)	2			
-51	486-335		SCREW - (M35AS1032R-12C)	2			
	690-612		WASHER - (NAS1149F0363P)	2			
-52	63913-064		HOSE - Flexible	1			
-53	401-310		BOLT - (AN4-10A)	12			
	690-613		WASHER - (NAS1149F0432P)	12			
	404-530		NUT - (MS21042-4)	12			
-54	401-417		BOLT - (AN6-37A)	1			
	690-629		WASHER - (NAS1149F0663P)	1			
	404-532		NUT - (MS21042-6)	1			
-55	401-405		BOLT - (AN6-25A)	2			
	407-567		WASHER - (AN960-616)	2			
	404-532		NUT - (MS21042-6)	2			
-56	401-411		BOLT - (AN6-33A)	2			
	407-567		WASHER - (AN960-616)	2			
	404-532		NUT - (MS21042-6)	2			
-57	85012-101		WASHER - Engine mount	6			
-58	401-544		BOLT - (AN7-44A)	2			
	690-630		WASHER - (NAS1149F0763P)	2			
	404-891		NUT - (MS20365-720C)	2			
-59	401-543		BOLT - (AN7-43A)	2			
	690-630		WASHER - (NAS1149F0763P))	4			
	404-891		NUT - (MS20365-720C)	2			
-60	401-926	A	BOLT - Drilled head (MS20074-04-13)	2		28R-30005 to 28R-30478 incl.	
	401-919	A,B	BOLT - (MS20074-04-04)	2			28R-30479 and up
	408-051	A	WASHER - Lock (MS35333-40)	2			28R-30005 to 28R-30478 incl.
	690-611	A,B	WASHER - (NAS1149F0463P)	2			28R-30479 and up
-61	401-920	A	BOLT - Drilled head (MS20074-04-05)	1			28R-30005 to 28R-30478 incl.
	401-919	A,B	BOLT - (MS20074-04-04)	1			28R-30479 and up
	408-051	A	WASHER - Lock (MS35330-40)	1			28R-30005 to 28R-30478 incl.
	690-611	A,B	WASHER - (NAS1149F0463P)	1			28R-30479 and up
-62	67724-000		MOUNT ASSEMBLY - Cowl support	2			
-63	67616-000		BOX ASSEMBLY - Air filter	1			
-64	484-342		* RECEPTACLE - (212-12D)	3			
-65	67615-000	C	COVER ASSEMBLY - Air filter box and alternate air inlet	1			
	67745-000	D	COVER ASSEMBLY - Air filter box	1			
-66	23809-007	C	* DOOR ASSEMBLY - Alternate air inlet	1			
-67	23809-004	C	** GASKET - Rubber sponge	1			
-68	24582-000	C	** SPRING - Alternate air inlet door	1			
-69	69074-000	C	* LEVER ASSEMBLY - Alternate air inlet	1			
-70	487-724		* STUD - (2600-123W)	1			
-71	487-723		* STUD - (2600-114W)	2			
-71a	494-060		* WASHER - (2600-LW)	3			
			A - Used on PA-28R-180 airplanes only.				
			B - Used on PA-28R-200 airplanes only.				
			C - Used on PA-28R-180 with serial numbers 28R-30005 to 28R-30481 inclusive, 28R-30483 to 28R-31279 inclusive, and PA-28R-200 with serial numbers 28R-30482, 28R-35001 to 28R-35830 inclusive.				
			D - Used on PA-28R-180 with serial numbers 28R-7130001 and up, and PA-28R-200 with serial numbers 28R-7135001 and up.				
			E - Used if engine hour meter is installed.				

When ordering, always specify Part Number, Description, and Serial Number of Aircraft

PIPER PARTS CATALOG

Figure and Index Number	Part Number	Code	NOMENCLATURE	No. Req.	SERIAL NUMBERS AFFECTED
58 -72	89309-000		FILTER - Air	1	
-73	99849-006		HOSE - Air filter box	1	
-74	99849-007		HOSE - Air filter box	1	
-75	554-803		CLAMP - (H3-3800)	2	
-76	554-804		CLAMP - (H3-5800)	2	
-77	458-855		ELBOW - (AN823-8)	1	
-78	67667-000	A	SEAL ASSEMBLY - Oil radiator	1	
	67829-000	B	SEAL ASSEMBLY - Oil radiator	2	
-79	401-928	A	BOLT - Drilled head (MS20774-04-15)	1	28R-30005 to 28R-30478 incl.
	401-919	A,B	BOLT - (MS20074-04-04)	1	28R-30479 and up
	408-051	A	WASHER - (MS35330-40)	1	28R-30005 to 28R-30478 incl.
	690-611	A,B	WASHER - (NAS1149F0463P)	1	28R-30479 and up
-80	67725-002		BOLT - Cowl support adjusting	2	
-81	756-517	C	VALVE ASSEMBLY - Oil drain (BJ1000-AH4S)	1	
	61879-002	D	VALVE ASSEMBLY - Oil drain	1	
	492-172	B	VALVE ASSEMBLY - Oil drain (1H50-1)	1	
-82	406-669		NUT - (9RF51624)	2	
-83	475-124		MOUNT - Engine (J-9613-40)	4	
-84	66634-004		GOVERNOR - Propeller	1	
-85	67119-049	E	MOUNT ASSEMBLY - Engine and nose gear strut	1	
	67119-057	B	MOUNT ASSEMBLY - Engine and nose gear strut	1	28R-7435001 and up
	67119-058		MOUNT ASSEMBLY - Engine and nose gear strut	1	28R-7235001 to 28R-7335455 incl.
-86	18622-000	A	OIL RADIATOR	1	
	67848-000	B	OIL RADIATOR	1	
-87	401-301	D	BOLT - (AN4H3A)	4	
	690-611	D	WASHER - (NAS1149F0463P)	8	
-88	79038-000	B	TEE - Bulkhead fitting	1	28R-7535001 and up
-89	587-961	B	SWITCH - (M4011-35)	1	28R-7535001 and up
-90	690-626	B	WASHER - (NAS1149F0732P)	1	28R-7535001 and up
	477-629	B	NUT - (AN924-4)	1	28R-7535001 and up
-91	587-990	B,F	SWITCH - (M-4006-4)	1	28R-7535001 and up
-92	87369-026	B	PLACARD - Caution, oil drain valve	2	
-93	554-918		CLAMP - Cowl support mount (MS27405-T6)	2	
<p>A - Used on PA-28R-180 airplanes only.</p> <p>B - Used on PA-28R-200 airplanes only. Reference latest revision of Piper Service Letter 910. Assure proper oil quick drain valve, Piper Part No. 492-172, is installed.</p> <p>C - Used on PA-28R-180 with serial numbers 28R-30006 to 28R-30458 inclusive, 30460 to 30462 inclusive, 30465, 30466, 30469, 30471 to 30476 inclusive, 30478 to 30480 inclusive, 30483, 30484, 30490, 30491, 30493, 30495, 30496, 30498 to 30500 inclusive, 30502 to 30509 inclusive, and 30511 to 30516 inclusive, 30607 and 30613.</p> <p>D - Used on PA-28R-180 with serial numbers 28R-30459, 28R-30463, 30464, 30467, 30468, 30470, 30477, 30481, 30485 to 30489 inclusive, 30608 to 30612 inclusive, and 30614 and up.</p> <p>E - Used on PA-28R-180 with serial numbers 28R-30005 to 28R-7130019 inclusive, and PA-28R-200 with serial numbers 28R-30482, 28R-35001 to 28R-7135238 inclusive.</p> <p>F - Used if engine hour meter is installed.</p>					

When ordering, always specify Part Number, Description, and Serial Number of Aircraft

THIS PAGE INTENTIONALLY LEFT BLANK

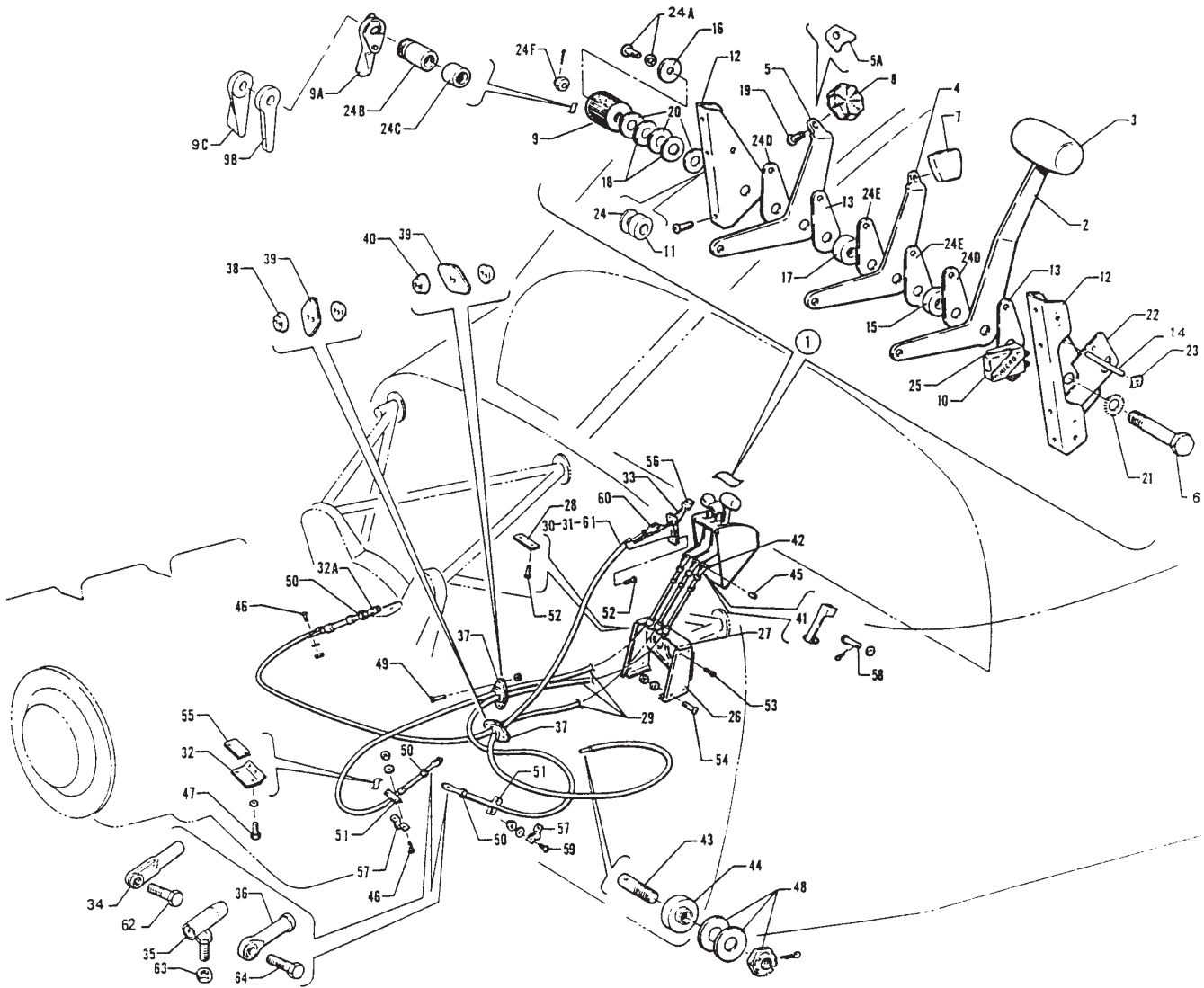


Figure 59. Engine Controls Installation

THIS PAGE INTENTIONALLY LEFT BLANK

PIPER PARTS CATALOG

Figure and Index Number	Part Number	Code	NOMENCLATURE	No. Req.	SERIAL NUMBERS AFFECTED
59-	67017 67834	A B	DRAWING - Engine Controls Installation DRAWING - Engine Controls Installation		
-1	67210-000	G	QUADRANT ASSEMBLY - Control	1	
-2	67210-003	B	QUADRANT ASSEMBLY - Control	1	28R-7535001 and up
-3	67223-003	H	* LEVER ASSEMBLY - Throttle	1	
-4	66979-000		** KNOB - Throttle lever (571-129)	1	
-5	67213-000		* LEVER - Propeller control	1	
-5a	67214-000		* LEVER - Mixture control	1	
-6	79473-000	B	* PLATE - Mixture control	1	28R-7535001 and up
-6	67217-000	C	* SHAFT - Quadrant	1	
	418-457	D	* SCREW - Cap (MS35291-42)	1	
	400-749	E	* BOLT - (AN25-52)	1	
	400-171	F	* BOLT - (AN5-30)	1	
-7	24047-000		* KNOB - Propeller control (571-043)	1	
-8	24048-000		* KNOB - Mixture control (571-044)	1	
-9	67220-000		* KNOB - Quadrant adjusting	1	
-9a	24358-000		* HANDLE ASSEMBLY - Quadrant adjusting (2.75" L)	1	
-9b	66773-000		* HANDLE - Quadrant adjusting (2.72" L)	1	
-9c	63039-004		* HANDLE - Quadrant adjusting (2.94" L)	1	
-10	487-925		* SWITCH - Quadrant control (V3-1)	1	
<p>A - Used on PA-28R-180 airplanes only. B - Used on PA-28R-200 airplanes only. C - Used if a quadrant adjusting knob (Part Number 67220-000) is installed. D - Used if a 2.75" L quadrant adjusting handle assembly (Part Number 24358-000) is installed. E - Used if a 2.72" L quadrant adjusting handle (Part Number 66773-000) is installed. F - Used if a 2.94" L quadrant adjusting handle (Part Number 63039-004) is installed. G - Used on PA-28R-180 with serial numbers 28R-30005 to 28R-7130019 inclusive, and PA-28R-200 with serial numbers 28R-30482, 28R-35001 to 28R-7435331 incl. H - Reference latest revision of Service Bulletin 940 on Throttle Actuated Gear Warning Horn Microswitch issue affecting PA-28R-200 aircraft with serial numbers 28R-35001 thru 28R-7635545 inclusive.</p>					

When ordering, always specify Part Number, Description, and Serial Number of Aircraft

PIPER PARTS CATALOG

Figure and Index Number	Part Number	Code	NOMENCLATURE	No. Req.	SERIAL NUMBERS AFFECTED
59 -11	66774-000	D,E	* CAM - Quadrant adjusting	1	
-12	67215-000	B,C	* BRACKET ASSEMBLY - Quadrant, left	1	
	67215-003	D,E	* BRACKET ASSEMBLY - Quadrant, left	1	
	67216-000		* BRACKET ASSEMBLY - Quadrant, right	1	
-13	67218-000		* PLATE - Quadrant control, friction	2	
-14	67221-000		* PIN - Quadrant friction plate	1	
-15	68699-002		* SPACER - Quadrant control (.28" thick)	1	
	68699-006		* SPACER - Quadrant control (.432" thick)	1	
	68699-010		* SPACER - Quadrant control (.400" thick)	1	
-16	68699-003	B	* SPACER - Quadrant control (.040" thick)	1	
-17	68699-004	B	* SPACER - Quadrant control (.39" thick)	1	
	68699-006	A	* SPACER - Quadrant control (.432" thick)	1	
	68699-010	A	* SPACER - Quadrant control (.400" thick)	1	
-18	408-815		* WASHER - (3502-18-04)	2	
-19	415-448		* SCREW - (AN526-832R6)	2	
-20	690-619		* WASHER - (NAS1149F0532P)	AR	
-21	408-045	B	* WASHER - (MS35333-41)	1	
-22	67729-000		* MOUNT - Gear warning switch	1	
-23	406-369		* NUT - (Tinnerman A1037-012-3))	2	
-24	62833-046	D,E	* WASHER - (.032" thick)	1	
			A - Used if a quadrant adjusting handle (not knob) is installed.		
			B - Used if a quadrant adjusting knob (Part Number 67220-000) is installed.		
			C - Used if a 2.75" L quadrant adjusting handle assembly (Part Number 24358-000) is installed.		
			D - Used if a 2.72" L quadrant adjusting handle (Part Number 66773-000) is installed.		
			E - Used if a 2.94" L quadrant adjusting handle (Part Number 63039-004) is installed.		

When ordering, always specify Part Number, Description, and Serial Number of Aircraft

PIPER PARTS CATALOG

Figure and Index Number	Part Number	Code	NOMENCLATURE	No. Req.	SERIAL NUMBERS AFFECTED
59 -24a	415-148	D	* SCREW - (AN526-632R6)	1	
	407-041	D	* WASHER - (MS35338-41)	1	
-24b	24357-000	E	* NUT - Quadrant adjusting	1	
-24c	62714-004		* BEARING - Quadrant control (3/8" O.D.)	1	
	63900-121		* BEARING - Quadrant control (7/16" O.D.)	1	
-24d	67218-000		* PLATE - Quadrant control, friction (.031" thick)	2	
	67218-002		* PLATE - Quadrant control, friction (.062" thick)	2	
-24e	67218-000		* PLATE - Quadrant control, friction	2	
	62833-050		* WASHER - Quadrant control, friction	2	
-24f	404-394	H,J	* NUT - (AN320-5)	1	
	424-051	H,J	* COTTER PIN - (MS24665-132)	1	
-25	461-164	A	FOLLOWER - Quadrant control (JV-1)	1	28R-30005 to 28R-30199 incl.
-26	67206-000	F	SUPPORT ASSEMBLY - Engine control	1	
	67206-002	G	SUPPORT ASSEMBLY - Engine control	1	
-27	67224-000	F	* BRACKET ASSEMBLY - Engine controls	1	
	67224-003	G	* BRACKET ASSEMBLY - Engine controls	1	
-28	67225-000		RETAINER - Engine controls	1	
-29	455-322		CONTROL ASSEMBLY - Push-pull	3	
-30	67657-002	C	WIRE - Alternate air control	1	
-31	67658-002	C	HOUSING - Alternate air control	1	
-32	67659-000	A	BRACKET- Engine controls	1	
	67804-000	B	BRACKET	1	
-32a	31747-000		JOINT ASSEMBLY - Ball, spring type (469-141)	1	

- A - Used on PA-28R-180 airplanes only.
- B - Used on PA-28R-200 airplanes only.
- C - Used on PA-28R-180 with serial numbers 28R-30005 to 28R-30481 inclusive, 28R-30483 to 28R-31092 inclusive, and on PA-28R-200 with serial numbers 28R-30482, 28R-35001 to 28R-35225 inclusive.
- D - Used if a quadrant adjusting knob (Part Number 67220-000) is installed.
- E - Used if a 2.75" L quadrant adjusting handle assembly (Part Number 24358-000) is installed.
- F - Used on PA-28R-180 with serial numbers 28R-30005 to 28R-30481 inclusive, 28R-30483 to 28R-31250 inclusive, and PA-28R-200 with serial numbers 28R-30482, 28R-35001 to 28R-35600 inclusive.
- G - Used on PA-28R-180 with serial numbers 28R-31251 and up, and PA-28R-200 with serial numbers 28R-35601 and up.
- H - Used if a 2.72" Quadrant adjusting handle (Part Number 66773-000) is installed.
- J - Used if a 2.94" L quadrant adjusting handle (Part Number 63039-004) is installed.

When ordering, always specify Part Number, Description, and Serial Number of Aircraft

PIPER PARTS CATALOG

Figure and Index Number	Part Number	Code	NOMENCLATURE	No. Req.	SERIAL NUMBERS AFFECTED
59 -33	69282-000	C	CONTROL MOUNT - Alternate air	1	
	66635-000	E	CONTROL MOUNT - Alternate air	1	
	66835-000	D	CONTROL MOUNT - Alternate air	1	
-34	554-757		CLEVIS - (MS35812-1)	2	
-35	31747-000		JOINT ASSEMBLY - Ball, spring type (469-141)	2	
-36	452-606		BEARING - Rod end	2	
-37	66789-000		PLATE - Firewall seal	4	
-38	68770-007		GROMMET - Firewall (463-413)	2	
-39	68771-012		GASKET - Firewall seal	2	
-40	68770-008		GROMMET - Firewall seal (463-418)	2	
-41	24123-000	F	TERMINAL - Clevis tie rod	3	
-42	488-327		TERMINAL - (AN665-21R)	3	
-43	70371-003		STUD - Alternate air	1	
-44	70371-002		FITTING - Swivel, alternate air	1	
-45	86092-082	F	PIN - Clevis tie rod	3	
-46	415-631		SCREW - (MS35206-331)	6	
	690-616		WASHER - (NAS1149FN832P)	6	
	404-529		NUT - (MS21042-08)	6	
-47	418-351	A	SCREW - Cap (1/4-20NC3 x 1" L)	2	
	407-044	A	WASHER - (MS35338-44)	2	
-48	690-612		WASHER - (NAS1149F0363P)	1	
	690-609		WASHER - (NAS1149F0332P)	2	
	404-392		NUT - (AN320-3)	1	
	424-051		COTTER PIN - (AN380-2-2)	1	
-49	415-448		SCREW - (AN526-832R6)	4	
	404-529		NUT - (MS21042-08)	4	
-50	404-224		NUT - (AN315-3R)	7	
	407-043		WASHER - (MS35338-43)	7	
-51	18132-002	A	LUG - Control cable	2	
	18132-000	B	LUG - Control cable	2	
			A - Used on PA-28R-180 airplanes only.		
			B - Used on PA-28R-200 airplanes only.		
			C - Used on PA-28R-180 with serial numbers 28R-30005 to 28R-30481 inclusive, 28R-30483 to 28R-30878 inclusive.		
			D - Used on PA-28R-180 with serial number 28R-31093 and up, end PA-28R-200 with serial number 28R-35226 and up.		
			E - Used on PA-28R-180 with serial number 28R-30879 to 28R-31092 inclusive, and PA-28R-200 with serial number 28R-30482, 28R-35001 to 28R-35225 inclusive.		
			F - Used on PA-28R-180 with serial numbers 28R-30005 to 28R-30481 inclusive, 28R-30483 to 28R-30736 inclusive.		

When ordering, always specify Part Number, Description, and Serial Number of Aircraft

PIPER PARTS CATALOG

Figure and Index Number	Part Number	Code	NOMENCLATURE	No. Req.	SERIAL NUMBERS AFFECTED
59 -52	415-754		SCREW - (AN515-8R8)	11	
-53	415-753		SCREW - (AN515-8R7)	4	
-54	415-753		SCREW - (AN515-8R7)	2	
	690-616		WASHER - (NAS1149FN832P)	2	
	404-529		NUT - (MS21042-08)	2	
-55	67664-000		SPACER - Engine control bracket	1	
-56	22287-000	C	KNOB - Alternate air control	1	
	66980-000	D	KNOB - Alternate air control	1	
-57	18219-002	B	CLAMP - Control cable	2	
	18219-000	H	CLAMP - Control cable	2	
-58	524-145	G	PIN - (MS20392-2C11)	3	
	690-609	G	WASHER - (NAS1149F0332P)	3	
	424-051	G	COTTER PIN - (MS24665-132)	3	
-59	415-537		SCREW - (MS35206-247)	2	
	690-616		WASHER - (NAS1149FN832P)	2	
	409-910		NUT - (MS20365-832C)	2	
-60	554-757	A	CLEVIS - (RA-13-187-2C)	1	
-61	66836-002	E	CABLE ASSEMBLY - Alternate air	1	
	554-130	F	CABLE ASSEMBLY - Alternate air	1	
-62	400-674		SCREW - (AN23-12)	2	
	404-100		NUT - (AN310-3)	2	
	424-051		COTTER PIN - (MS24665-132)	2	
-63	690-612		WASHER - (NAS1149FN363P)	2	
	404-526		NUT - (MS21042-3)	2	
-64	400-056		BOLT - Mixture control (AN3-11)	1	
	63900-078		BUSHING	2	
	62833-101		WASHER	2	
	407-043		WASHER - (MS35338-43)	2	
	690-612		WASHER - (NAS1149F0363P)	2	
	404-100		NUT - (AN310-3)	2	
	424-051		COTTER PIN - (MS24665-132)	2	
			A - Used on PA-28R-180 with serial numbers 28R-31093 and up, and PA-28R-200 with serial numbers 28R-35226 and up.		
			B - Used on PA-28R-180 airplanes only.		
			C - Used on PA-28R-180 with serial numbers 28R-30005 to 28R-30481 inclusive, 28R-30483 to 28R-31250 inclusive, and PA-28R-200 with serial numbers 28R-30482, 28R-35001 to 28R-35600 inclusive.		
			D - Used on PA-28R-180 with serial numbers 28R-31251 and up, and PA-28R-200 with serial numbers 28R-35601 and up.		
			E - Used on PA-28R-180 with serial numbers 28R-31093 to 28R-31279 inclusive, and PA-28R-200 with serial numbers 28R-35226 to 28R-35830 inclusive.		
			F - Used on PA-28R-180 with serial numbers 28R-7130001 and up, and PA-28R-200 with serial numbers 28R-7135001 and up.		
			G - Used on PA-28R-180 with serial numbers 28R-30737 and up, and PA-28R-200 with serial numbers 28R-30482, 28R-25001 and up.		
			H - Used on PA-28R-200 airplanes only.		

When ordering, always specify Part Number, Description, and Serial Number of Aircraft

THIS PAGE INTENTIONALLY LEFT BLANK

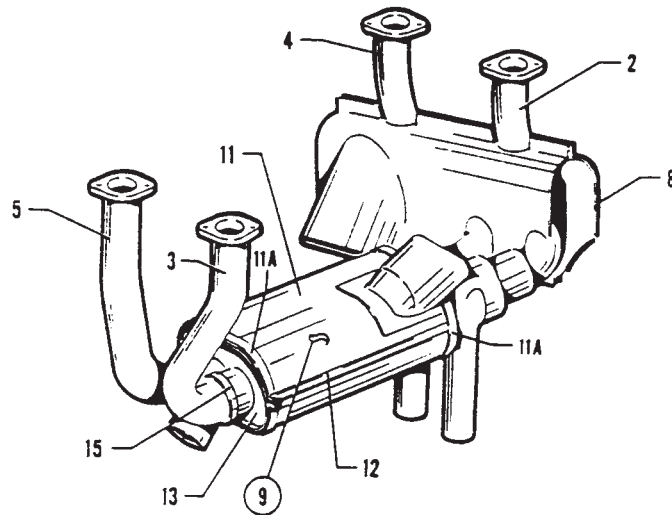
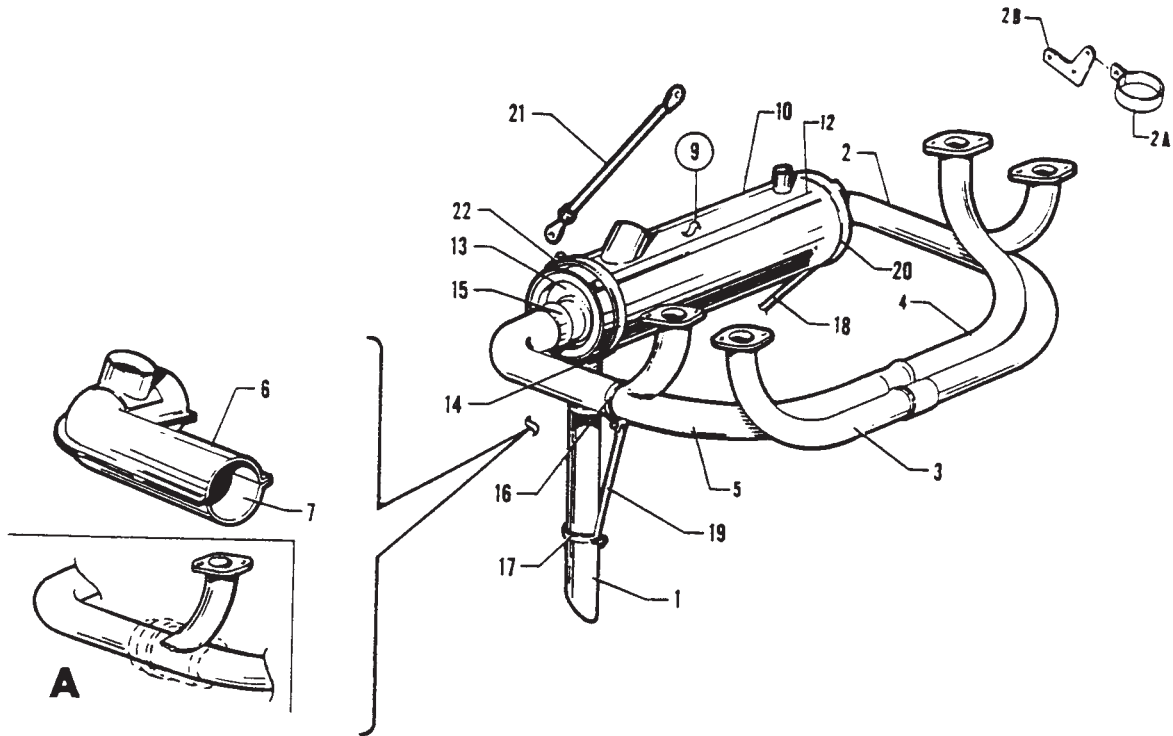


Figure 60. Engine Exhaust System Installation

THIS PAGE INTENTIONALLY LEFT BLANK

PIPER PARTS CATALOG

Figure and Index Number	Part Number	Code	NOMENCLATURE	No. Req.	SERIAL NUMBERS AFFECTED
60-	63622		DRAWING - Powerplant Installation		28-1 to 28-507 inclusive
	63689	B	DRAWING - Powerplant Installation		28-508 to 28-1760 inclusive
	63689	A	DRAWING - Powerplant Installation		28-20002 to 28-21095 incl.
	65616	A	DRAWING - Powerplant Installation		28-21096 to 28-24999 incl.
	66680	A	DRAWING - Powerplant Installation		28-25000 to 28-7125471 incl.
	99516	A	DRAWING - Powerplant Installation		28-7125472 and up
	62892	B	DRAWING - Exhaust System Installation		28-1761 and up
-1	63666-002	A	TAIL PIPE - Exhaust	1	28-20002 and up
	63666-002	B	TAIL PIPE - Exhaust	1	28-1 to 28-1760 inclusive
-2	63726-002	B,C	STACK ASSEMBLY - Front cylinder, left	1	28-1 to 28-1760 inclusive
	63726-002	A	STACK ASSEMBLY - Front cylinder, left	1	28-20002 to 28-7125471 incl.
	99044-005	A	STACK ASSEMBLY - Front cylinder, left	1	28-7125472 and up
	62892-003	B	STACK ASSEMBLY - Front cylinder, left	1	28-1761 and up
-2a	35655-002	B	* CLAMP - Stack assembly support	1	
-2b	35656-002	B	* LINK - Stack assembly support	1	
-3	63726-004	B,C	STACK ASSEMBLY - Front cylinder, right	1	28-1 to 28-1760 inclusive
	63726-004	A	STACK ASSEMBLY - Front cylinder, right	1	28-20002 to 28-7125471 incl.
	99044-002	A	STACK ASSEMBLY - Front cylinder, right	1	28-7125472 and up
	62230-000	B	STACK ASSEMBLY - Front cylinder, right	1	28-1761 and up
-4	99044-003	B,C	STACK ASSEMBLY - Rear cylinder, left	1	28-1 to 28-1760 inclusive
	99044-003	A	STACK ASSEMBLY - Rear cylinder, left	1	28-20002 and up
	62231-000	B	STACK ASSEMBLY - Rear cylinder, left	1	28-1761 and up
-5	99044-004	B,C	STACK ASSEMBLY - Rear cylinder, right	1	28-1 to 28-1760 inclusive
	99044-004	A	STACK ASSEMBLY - Rear cylinder, right	1	28-20002 and up
	62232-000	B	STACK ASSEMBLY - Rear cylinder, right	1	28-1761 and up
-6	63705-002	D,F	SHROUD ASSEMBLY - Top	1	
	63723-003	E	SHROUD ASSEMBLY - Top	1	
	63723-003	A	SHROUD ASSEMBLY - Top	1	28-20002 and up
-7	63705-003	D,F	SHROUD ASSEMBLY - Bottom	1	
	63723-002	E	SHROUD ASSEMBLY - Bottom	1	
	63723-002	A	SHROUD ASSEMBLY - Bottom	1	28-20002 and up
-8	62981-006	B	SHROUD ASSEMBLY - Left	1	28-1761 and up
	62981-007	B	SHROUD ASSEMBLY - Right	1	28-1761 and up

A - Used on PA-28-140 airplanes only.
 B - Used on PA-28-150, PA-28-160 and PA-28-180 airplanes only.
 C - If airplane presently has a one piece stack, order both left and right stacks.
 D - Used on PA-28 airplanes with serial numbers 28-1 to 28-670, 28-678, 679, 681, 685, 690, 691, 693, 697, 706 and 707.
 E - Used on PA-28 airplanes with serial numbers 28-671 to 28-677, 28-680, 682 to 684, 686 to 689, 692, 694 to 696, 698 to 705, 708 to 1760 inclusive.
 F - If present stack does not incorporate a welded shroud as shown in Sketch A on illustration, order Part Number 63723-002 bottom of 63723-003 top.

When ordering, always specify Part Number, Description, and Serial Number of Aircraft

PA-28-140
 PA-28-150
 PA-28-160
 PA-28-180

PIPER PARTS CATALOG

Figure and Index Number	Part Number	Code	NOMENCLATURE	No. Req.	SERIAL NUMBERS AFFECTED
60 -9	63652 004	A	MUFFLER ASSEMBLY - Complete	1	28-1 to 28-1520 inclusive
	63652-005	B	MUFFLER ASSEMBLY - Complete	1	28-671 to 28-1520 inclusive
	62208-004	A	MUFFLER ASSEMBLY - Complete	1	28-1521 to 28-1760 inclusive
	62208-005	B	MUFFLER ASSEMBLY - Complete	1	28-1521 to 28-1760 inclusive
	62208-004	C	MUFFLER ASSEMBLY - Complete	1	28-20002 to 28-24999 incl.
	66704-000	C	MUFFLER ASSEMBLY - Complete	1	28-25000 to 28-26400 incl.
	66906-000	C	MUFFLER ASSEMBLY - Complete	1	28-26401 to 28-26956 incl.
	66906-002	C	MUFFLER ASSEMBLY - Complete	1	28-7125001 and up
	63237-000	A,B	MUFFLER ASSEMBLY - Complete	1	28-1761 to 28-3077 inclusive
	65540-000	A,B	MUFFLER ASSEMBLY - Complete	1	28-3078 to 28-7205091 incl.
	65540-002	B	MUFFLER ASSEMBLY - Complete	1	28-7205092 and up
	-10	63652-002	A,B	* SHROUD ASSEMBLY - Muffler, complete	1
62208-002		A,B	* SHROUD ASSEMBLY - Muffler, complete	1	28-1521 to 28-1760 inclusive
	62208-002	C	* SHROUD ASSEMBLY - Muffler, complete	1	28-20002 to 28-24999 incl.
	66704-002	C	* SHROUD ASSEMBLY - Muffler, complete	1	28-25000 and up
-11	63237-004	A,B	* SHROUD ASSEMBLY - Muffler, top	1	28-1761 to 28-3077 inclusive
	65542-000	A,B	* SHROUD ASSEMBLY - Muffler, top	1	28-3078 to 28-7205091 incl.
	99568-000	B	* SHROUD ASSEMBLY - Muffler, top	1	28-7205092 and up
	63237-005	A,B	* SHROUD ASSEMBLY - Muffler; bottom	1	28-1761 to 28-3077 inclusive
	65543-000	A,B	* SHROUD ASSEMBLY - Muffler, bottom	1	28-3078 and up
	-11a	554-848	A,B	** CLAMP - Shroud (SAE TY F-96SS)	2
-12	10430-000	A,B	* CLIP - Muffler shroud	1	
	63712-000	A,B	* CLIP - Muffler shroud (18-1/2")	1	
	63712-000	C	* CLIP - Muffler shroud (18")	1	28-20002 and up
	63089-000	A,B	* CLIP - Muffler shroud	2	28-1761 to 28-3077 inclusive
-13	99482-000	D	* MUFFLER ASSEMBLY	1	
	99482-002	B	* MUFFLER ASSEMBLY	1	28-671 to 28-1760 inclusive
	66894-000	A,B	* MUFFLER ASSEMBLY - Front	1	28-1761 to 28-3077 inclusive
	66894-002	A,B	* MUFFLER ASSEMBLY - Rear	1	28-1761 to 28-3077 inclusive
	66894-003	B	* MUFFLER ASSEMBLY	2	28-3078 and up
	-14	14235-000	A,B	CLAMP - Tail pipe attachment	1
14235-000		C	CLAMP - Tail pipe attachment	1	28-20002 and up
-15	65442-003	A,B	CLAMP ASSEMBLY - Exhaust stack	2	28-1 to 28-1760 inclusive
	65442-003	C	CLAMP ASSEMBLY - Exhaust stack	2	28-20002 and up
	63243-002	A,B	CLAMP ASSEMBLY - Exhaust stack	2	28-1761 and up
	-16	63642-002	A	CLAMP - Tail pipe support	1
63735-000		A,B	CLAMP - Tail pipe support	1	28-671 to 28-1760 inclusive
	63735-000	C	CLAMP - Tail pipe support	1	28-20002 and up
	-17	63642-003	A,B	CLAMP - Tail pipe support	2
63642-003		C	CLAMP - Tail pipe support	2	28-20002 and up

A - Used on PA-28-150 and PA-28-160 airplanes only.
 B - Used on PA-28-180 airplanes only.
 C - Used PA-28-140 airplanes only.
 D - Used on PA-28-150 and PA-28-160 with serial numbers 28-1 to 28-1760 inclusive, and PA-28-140 airplanes.

When ordering, always specify Part Number, Description, and Serial Number of Aircraft

PIPER PARTS CATALOG

Figure and Index Number	Part Number	Code	NOMENCLATURE	No. Req.	SERIAL NUMBERS AFFECTED
60 -18	63645-000	A,B	SUPPORT - Tail pipe	1	28-1 to 28-1760 inclusive
	63645-000	C	SUPPORT - Tail pipe	1	28-20002 and up
-19	63646-000	A	SUPPORT - Tail pipe	1	28-1 to 28-670 inclusive
	63591-000	A,B	SUPPORT - Tail pipe	1	28-671 to 28-1760 inclusive
-20	63591-000	C	SUPPORT - Tail pipe	1	28-20002 and up
	66847-000	A,B	CLAMP - Muffler shroud	1	28-1 to 28-1760 inclusive
-21	66847-000	C	CLAMP - Muffler shroud	1	28-20002 and up
	63704-000	A	SUPPORT ASSEMBLY - Muffler	2	28-508 to 28-670 inclusive
-22	554-848	C	CLAMP - Muffler shroud (SAE TY F-96SS)	1	28-23135 and up

A - Used on PA-28-150 and PA-28-160 airplanes only.
 B - Used on PA-28-180 airplanes only.
 C - Used on PA-28-140 airplanes only.

When ordering, always specify Part Number, Description, and Serial Number of Aircraft

PA-28-140
 PA-28-150
 PA-28-160
 PA-28-180

THIS PAGE INTENTIONALLY LEFT BLANK

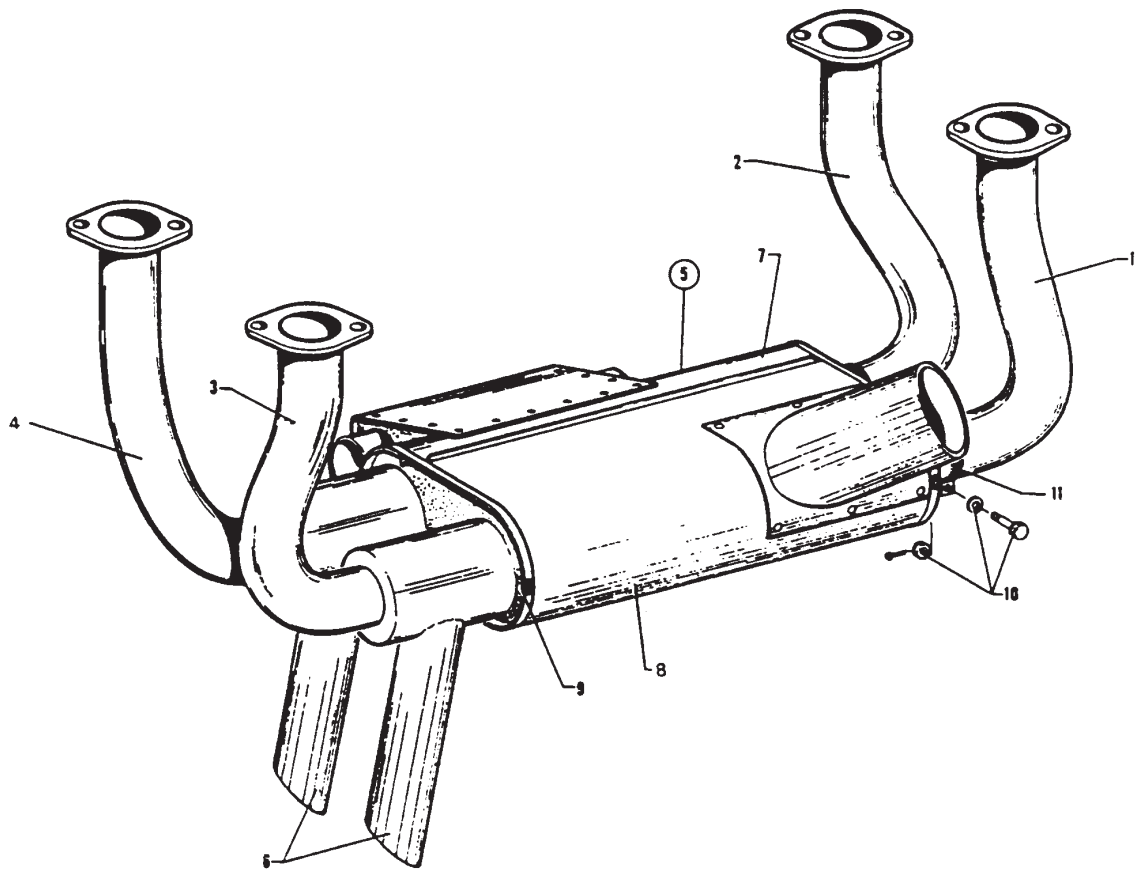


Figure 61. Engine Exhaust System Installation

THIS PAGE INTENTIONALLY LEFT BLANK

PIPER PARTS CATALOG

Figure and Index Number	Part Number	Code	NOMENCLATURE	No. Req.	SERIAL NUMBERS AFFECTED
61-	67642 67814 99603	A C B	DRAWING - Exhaust System Installation DRAWING - Exhaust System Installation DRAWING - Exhaust System Installation		28R-7235001 and up
-1	67617-000 67810-000	A B	STACK ASSEMBLY - Left front STACK ASSEMBLY - Left front	1 1	
-2	67618-000 67811-000	A B	STACK ASSEMBLY - Left rear STACK ASSEMBLY - Left rear	1 1	
-3	67619 000 67809-000	A B	STACK ASSEMBLY - Right front STACK ASSEMBLY - Right front	1 1	
-4	67620-000 67812-000	A B	STACK ASSEMBLY - Right rear STACK ASSEMBLY - Right rear	1 1	
-5	67643-000 99601-000	A,C B	MUFFLER ASSEMBLY - Complete MUFFLER ASSEMBLY - Complete	1 1	28R-7235001 and up
-6	67517-000	D	* MUFFLER ASSEMBLY	2	
-7	67808-000		* SHROUD ASSEMBLY - Muffler, bottom	1	
-8	67651-000 99600-000	A,C,D B	* SHROUD ASSEMBLY - Muffler, top * SHROUD ASSEMBLY - Muffler, top	1 1	28R-7235001 and up
-9	67652 000		* TAB - Muffler	4	
-10	400-103 690-611 404-101 424-051		BOLT - (AN4-6) WASHER - (NAS1149F0463P) NUT - (AN310-4) COTTER PIN - (AN380-2-2)	2 4 2 2	
-11	63243-002		CLAMP ASSEMBLY - Exhaust stack	2	
<p>A - Used on PA-28R-180 airplanes only. B - Used on PA-28R-200 airplanes only. C - Used on PA-28R-200 with serial numbers 28R-30482, 28R-35001 to 28R-7135238 inclusive. D - Reference latest revision of Piper Service Bulletin 691 on muffler inspection.</p>					

When ordering, always specify Part Number, Description, and Serial Number of Aircraft

THIS PAGE INTENTIONALLY LEFT BLANK

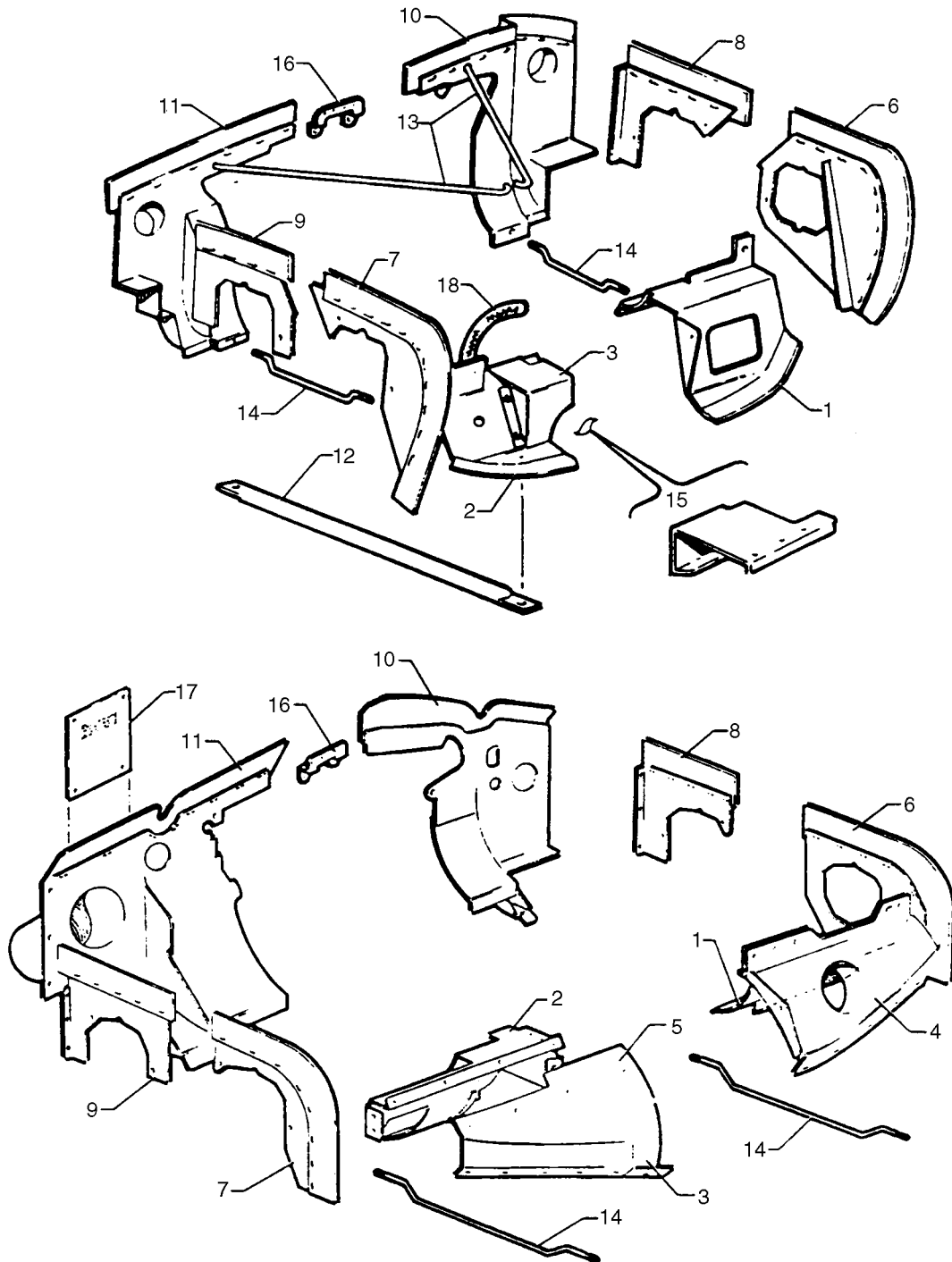


Figure 62. Engine Baffle Installation

THIS PAGE INTENTIONALLY LEFT BLANK

PIPER PARTS CATALOG

Figure and Index Number	Part Number	Code	NOMENCLATURE	No. Req.	SERIAL NUMBERS AFFECTED
62-	63622	B	DRAWING - Powerplant Installation		28-1 to 28-507 inclusive
	63689	B,C	DRAWING - Powerplant Installation		28-508 to 28-1760 inclusive
	63689	A	DRAWING - Powerplant Installation		28-20002 to 28-21095 incl.
	65616	A	DRAWING - Powerplant Installation		28-21096 to 28-24999 incl.
	66680	A	DRAWING - Powerplant Installation		28-25000 to 28-7125471 incl.
	99516	A	DRAWING - Powerplant Installation		28-7125472 and up
	62986	B,C	DRAWING - Engine Baffle Installation		28-1761 and up
-1	63610-000	B	BAFFLE ASSEMBLY - Left front, complete	1	28-1 to 28-1760 inclusive
	63707-000	C	BAFFLE ASSEMBLY - Left front, complete	1	28-671 to 28-1760 inclusive
	63610-000	A	BAFFLE ASSEMBLY - Left front, complete	1	28-20002 to 28-21095 incl.
	63441-000	B	BAFFLE ASSEMBLY - Left front, complete	1	28-1761 and up
	63244-000	C	BAFFLE ASSEMBLY - Left front, complete	1	28-1761 to 28-7205091 incl.
	63244-002	C	BAFFLE ASSEMBLY - Left front, less fairing	1	28-7205092 and up
	65480-000	A	BAFFLE ASSEMBLY - Left front, complete	1	28-21096 to 28-7125471 incl.
	99225-000	A	BAFFLE ASSEMBLY - Left front, complete	1	28-7125472 and up
-2	63611-000	B,D	BAFFLE ASSEMBLY - Right front	1	28-1 to 28-507 inclusive
	63693-000	B,C	BAFFLE ASSEMBLY - Right front	1	28-508 to 28-1760 inclusive
	63693-003	C	BAFFLE ASSEMBLY - Right front	1	28-671 to 28-1760 inclusive
	63693-000	A	BAFFLE ASSEMBLY - Right front	1	28-20002 to 28-7125471 incl.
	99221-000	A	BAFFLE ASSEMBLY - Right front	1	28-7125472 and up
	63433-000	B	BAFFLE ASSEMBLY - Right front	1	28-1761 and up
	62396-000	C	BAFFLE ASSEMBLY - Right front	1	28-1761 to 28-7205091 incl.
	99577-000	C	BAFFLE ASSEMBLY - Right front	1	28-7205092 and up
-3	63609-000	B,D	COVER ASSEMBLY - Right front baffle	1	28-1 to 28-507 inclusive
	99771-000	C	COVER ASSEMBLY - Right front baffle	1	28-7205092 and up
-4	99578-000	C	FAIRING ASSEMBLY - Left front baffle	1	28-7205092 and up
-5	63431-000	B	FAIRING ASSEMBLY - Right front baffle	1	28-1761 and up
	62393-000	C	FAIRING ASSEMBLY - Right front baffle	1	28-1761 to 28-7205091 incl.
	99573-000	C	FAIRING ASSEMBLY - Right front baffle	1	28-7205092 and up
-6	63613-000	B,C	BAFFLE ASSEMBLY - Left side, front	1	28-1 to 28-1760 inclusive
	63613-000	A	BAFFLE ASSEMBLY - Left side, front	1	28-20002 and up
	63093-000	B,C	BAFFLE ASSEMBLY - Left side, front	1	28-1761 and up
-7	63612-000	B	BAFFLE ASSEMBLY - Right side, front	1	28-1 to 28-507 inclusive
	63612-006	B,C	BAFFLE ASSEMBLY - Right side, front	1	28-508 to 28-1410 inclusive
	63612-009	B,C	BAFFLE ASSEMBLY - Right side, front	1	28-1411 to 28-1760 incl.
	63612-011	A	BAFFLE ASSEMBLY - Right side, front	1	28-20002 and up
	63092-000	B,C	BAFFLE ASSEMBLY - Right side, front	1	28-1761 and up
-8	63614-000	B,C	BAFFLE ASSEMBLY - Left side, rear	1	28-1 to 28-1410 inclusive
	63614-005	B,C	BAFFLE ASSEMBLY - Left side, rear	1	28-1411 to 28-1760 incl.
	63614-005	A	BAFFLE ASSEMBLY - Left side, rear	1	28-20002 and up
	62233-000	B,C	BAFFLE ASSEMBLY - Left side, rear	1	28-1761 and up
-9	63615-000	B,C	BAFFLE ASSEMBLY - Right side, rear	1	28-1 to 28-1410 inclusive
	63615-004	B,C	BAFFLE ASSEMBLY - Right side, rear	1	28-1411 to 28-1760 incl.
	63615-004	A	BAFFLE ASSEMBLY - Right side, rear	1	28-20002 and up
	62234-000	B,C	BAFFLE ASSEMBLY - Right side, rear	1	28-1761 and up

A - Used on PA-28-140 airplanes only.
 B - Used on PA-28-150 and PA-28-160 airplanes only.
 C - Used on PA-28-180 airplanes only.
 D - Used when generator is installed.

When ordering, always specify Part Number, Description, and Serial Number of Aircraft

PIPER PARTS CATALOG

Figure and Index Number	Part Number	Code	NOMENCLATURE	No. Req.	SERIAL NUMBERS AFFECTED	
62 -10	63617-000	B,E	BAFFLE ASSEMBLY - Left rear	1	28-1 to 28-220 inclusive	
	63617-008	B	BAFFLE ASSEMBLY - Left rear	1	28-221 to 28-670 inclusive	
	63617-011	B,D	BAFFLE ASSEMBLY - Left rear	1	28-725 to 28-1410 inclusive	
	63617-014	B, D	BAFFLE ASSEMBLY - Left rear	1	28-1411 to 28-1520 inclusive	
	63617-015	B	BAFFLE ASSEMBLY - Left rear	1	28-1521 to 28-1760 inclusive	
	63617-015	A	BAFFLE ASSEMBLY - Left rear	1	28-20002 to 28-24999 incl.	
	66722-000	A	BAFFLE ASSEMBLY - Left rear	1	28-25000 and up	
	63706-000	C	BAFFLE ASSEMBLY - Left rear	1	28-671 to 28-1410 inclusive	
	63706-008	C	BAFFLE ASSEMBLY - Left rear	1	28-1411 to 28-1520 inclusive	
	63706-009	C	BAFFLE ASSEMBLY - Left rear	1	28-1521 to 28-1760 inclusive	
	63427-000	B	BAFFLE ASSEMBLY - Left rear	1	28-1761 and up	
	62387-000	C	BAFFLE ASSEMBLY - Left rear	1	28-1761 to 28-5149 inclusive	
	62387-007	C	BAFFLE ASSEMBLY - Left rear	1	28-5150 and up	
	-11	63616-000	B,E,D	BAFFLE ASSEMBLY - Right rear	1	28-1 to 28-220 inclusive
		63616-009	B,D	BAFFLE ASSEMBLY - Right rear	1	28-221 to 28-670 inclusive
		63745-000	B,D	BAFFLE ASSEMBLY - Right rear	1	28-725 to 28-1410 inclusive
		63745-004	B,D	BAFFLE ASSEMBLY - Right rear	1	28-1411 to 28-1520 inclusive
		63616-009	B	BAFFLE ASSEMBLY - Right rear	1	28-1521 to 28-1760 inclusive
		63616-009	A	BAFFLE ASSEMBLY - Right rear	1	28-20002 to 28-24999 incl.
		66677-000	A	BAFFLE ASSEMBLY - Right rear	1	28-25000 and up
63709-005		C,D	BAFFLE ASSEMBLY - Right rear	1	28-671 to 28-1410 inclusive	
63709-008		C,D	BAFFLE ASSEMBLY - Right rear	1	28-1411 to 28-1520 inclusive	
63709-000		C	BAFFLE ASSEMBLY - Right rear	1	28-1521 to 28-1760 inclusive	
63430-000		B	BAFFLE ASSEMBLY - Right rear	1	28-1761 and up	
62383-000		C	BAFFLE ASSEMBLY - Right rear	1	28-1761 to 28-5149 inclusive	
62383-003		C	BAFFLE ASSEMBLY - Right rear	1	28-5150 and up	
-12	63621-000	B	BRACE - Engine to front baffle (12.75")	1	28-1 to 28-507 inclusive	
	63621-002	B,C	BRACE - Engine to front baffle (13.75")	1	28-508 to 28-1760 inclusive	
	63621-002	A	BRACE - Engine to front baffle (13.75")	1	28-20002 to 28-7125471 inclusive	
	67796-000	A,F	BRACE - Engine to front baffle (12.78")	1	28-7125472 and up	
-13	63716-000	B,C	STAY - Rear baffle	2	28-508 to 28-1760 inclusive	
	63716-000	A	STAY - Rear baffle	2	28-20002 and up	
-14	87392-002		TIE ROD - Engine baffle	2		
-15	63699-000	B	BRACKET ASSEMBLY - Baffle	1	28-508 to 28-1760 inclusive	
	63699-003	C	BRACKET ASSEMBLY - Baffle	1	28-671 to 28-1760 inclusive	
	63699-000	A	BRACKET ASSEMBLY - Baffle	1	28-20002 to 28-7125471 inclusive	
-16	63605-000		BRACKET - Rear baffle reinforcement	1		
-17	63492-000	B	CLOSURE ASSEMBLY - Winterization plate	1	28-1761 and up	
	63492-000	C	CLOSURE ASSEMBLY - Winterization plate	1	28-1761 to 28-5149 inclusive	
	67769-000	C	CLOSURE ASSEMBLY - Winterization plate	1	28-5150 and up	
-18	63633-004	B	HOSE - Generator air	1	28-1 to 28-507 inclusive	

A - Used on PA-28-140 airplanes only.
 B - Used on PA-28-150 and PA-28-160 airplanes only.
 C - Used on PA-28-180 airplanes only.
 D - If Fuel Cooling Kit 756-807, 756-808 or 756-809 has been installed, order part for serial numbers 28-1521 to 28-1760 inclusive.
 E - If Kit 754 428 has been installed, order part for serial numbers 28-221 to 28-670 inclusive.
 F - Refer to Figure 32A if air conditioning is installed.

When ordering, always specify Part Number, Description, and Serial Number of Aircraft

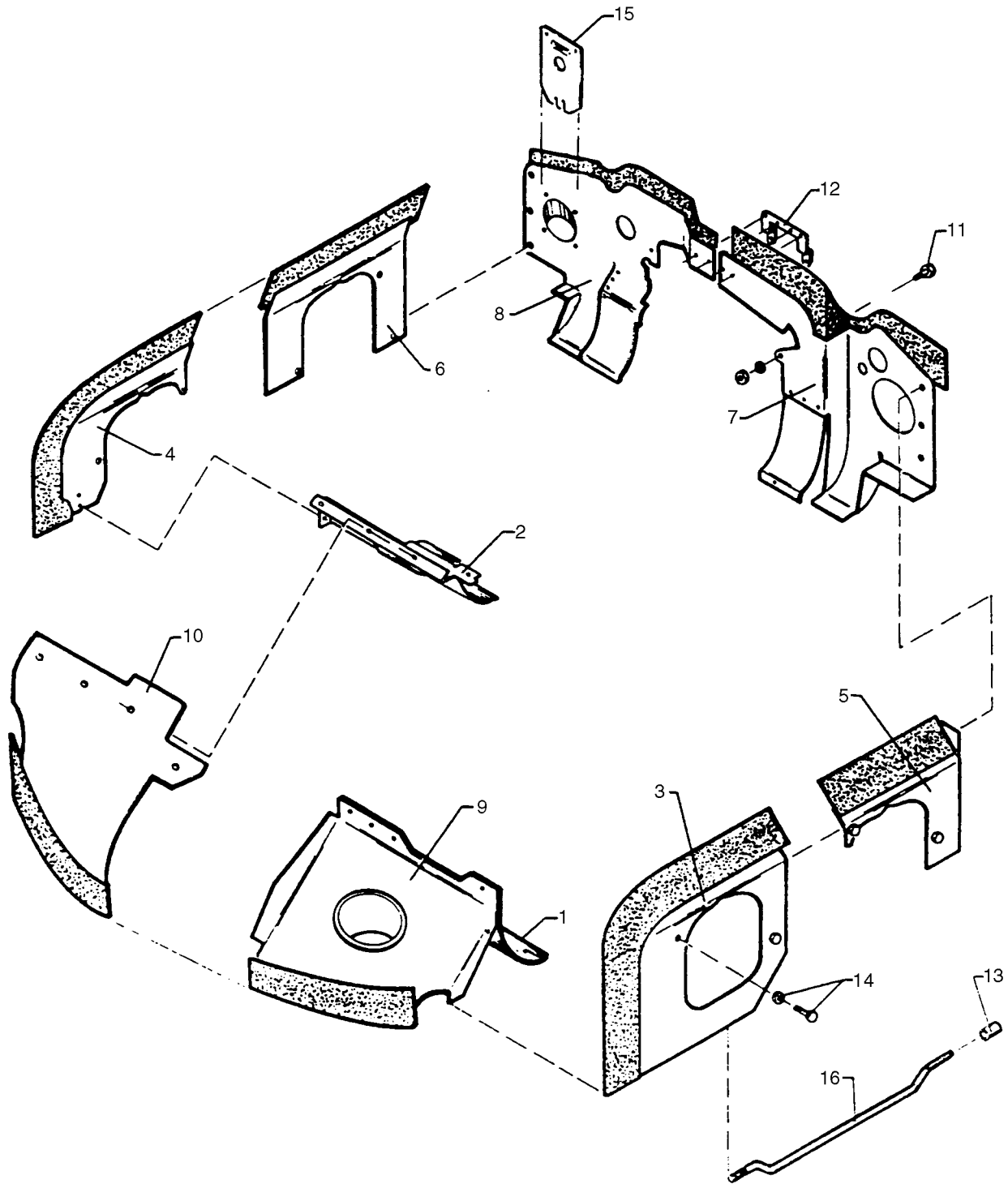


Figure 63. Engine Baffle Installation

THIS PAGE INTENTIONALLY LEFT BLANK

PIPER PARTS CATALOG

Figure and Index Number	Part Number	Code	NOMENCLATURE	No. Req.	SERIAL NUMBERS AFFECTED
63-	67238 67803	A B	DRAWING - Engine Baffle Installation DRAWING - Engine Baffle Installation		
-1	67634-000 67816-000 99792-000	A C,D B	BAFFLE ASSEMBLY - Left front (complete) BAFFLE ASSEMBLY - Left front (complete) BAFFLE ASSEMBLY - Left front	1 1 1	28R-7235001 and up
-2	67622-000 67828-000 99595-000	A C B	BAFFLE ASSEMBLY - Right front BAFFLE ASSEMBLY - Right front BAFFLE ASSEMBLY - Right front	1 1 1	28R-7235001 and up
-3	67632-000 67830-000	A B	BAFFLE ASSEMBLY - Left side front BAFFLE ASSEMBLY - Left side front	1 1	
-4	67631-000 67822-000	A B	BAFFLE ASSEMBLY - Right side front BAFFLE ASSEMBLY - Right side front	1 1	
-5	67630-000 67831-000	A B	BAFFLE ASSEMBLY - Left side rear BAFFLE ASSEMBLY - Left side rear	1 1	
-6	67629-000 67823-000	A B	BAFFLE ASSEMBLY - Right side rear BAFFLE ASSEMBLY - Right side rear	1 1	
-7	67638-000 67638-005 67825-000	A A B	BAFFLE ASSEMBLY - Left rear BAFFLE ASSEMBLY - Left rear BAFFLE ASSEMBLY - Left rear	1 1 1	28R-30005 to 28R-30399 incl. 28R-30400 and up
-8	62383-003 67824-000	A B	BAFFLE ASSEMBLY - Right rear BAFFLE ASSEMBLY - Right rear	1 1	
-9	99589-000	B	FAIRING ASSEMBLY - Left front baffle	1	28R-7235001 and up
-10	67628-000 67817-000 99594-000	A C B	FAIRING ASSEMBLY - Right front baffle FAIRING ASSEMBLY - Right front baffle FAIRING ASSEMBLY - Right front baffle	1 1 1	28R-7235001 and up
-11	400-002 690-613 404-530		BOLT - (AN4-5A) WASHER - (NAS1149F0432P) NUT - (MS21042-4)	1 1 1	
-12	63605-000		BRACKET - Rear baffle reinforcement	1	
-13	63900-014	A	BUSHING - Baffle tie rod	2	
-14	418-420 418-420 418-351 690-611 408-051	A B B	SCREW - Cap (1/4-20 NC3 x 1/2) SCREW - Cap (1/4-20 NC3 x 1/2) SCREW - Cap (1/4-20 NC3 x 1) WASHER - (NAS1149F0463P) WASHER - Lock (MS35333-40)	11 7 4 11 11	
-15	67769-004	A	CLOSURE ASSEMBLY - Winterization plate	1	
-16	87392-002		TIE ROD - Engine baffle	2	

A - Used on PA-28R-180 airplane only.
 B - Used on PA-28R-200 airplanes only.
 C - Used on PA-28R-200 with serial numbers 28R-30482, 28R-35001 to 28R-7135238 inclusive.
 D - Reference Piper Service Letter 587 for Engine Baffle Modification information using Kit 760-558 on the PA-28R-200 Cherokee Arrow with serial numbers 28R-30482, 28R-35001 to 28R-35392 inclusive, 28R-35601 to 28R-36820 inclusive and 28R-7135001 to 28R-7135235 inclusive.

When ordering, always specify Part Number, Description, and Serial Number of Aircraft

THIS PAGE INTENTIONALLY LEFT BLANK

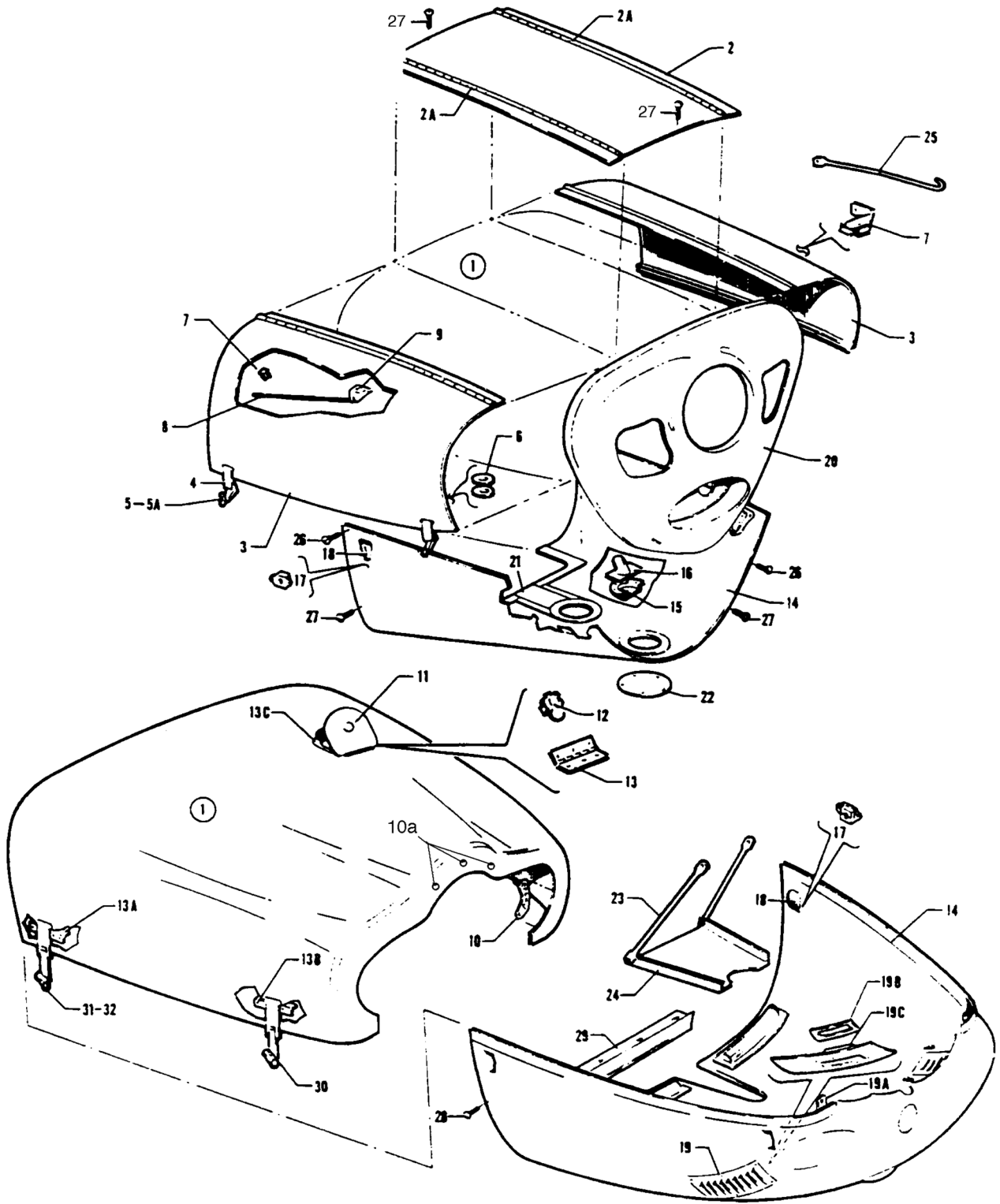


Figure 64. Engine Cowl Installation

PA-28-140
 PA-28-150
 PA-28-160
 PA-28-180

THIS PAGE INTENTIONALLY LEFT BLANK

PIPER PARTS CATALOG

Figure and Index Number	Part Number	Code	NOMENCLATURE	No. Req.	SERIAL NUMBERS AFFECTED
64-	63622	B	DRAWING - Powerplant Installation		28-1 to 28-507 inclusive
	63689	B,C	DRAWING - Powerplant Installation		28-508 to 28-1760 inclusive
	62893	B,C	DRAWING - Powerplant Installation		28-1761 to 28-4377 inclusive
	65851	C	DRAWING - Powerplant Installation		28-4378 and up
	63689	A	DRAWING - Powerplant Installation		28-20002 to 28-21095 incl.
	65616	A	DRAWING - Powerplant Installation		28-21096 to 28-24999 incl.
	66680	A	DRAWING - Powerplant Installation		28-25000 to 28-7125471 incl.
	99516	A	DRAWING - Powerplant Installation		28-7125472 and up
-1	63603-000	B	COWL ASSEMBLY - Engine top, complete	1	28-1 to 28-1015 inclusive
	63603-019	B	COWL ASSEMBLY - Engine top, complete	1	28-1016 to 28-1410 inclusive
	63603-019	C	COWL ASSEMBLY - Engine top, complete	1	28-671 to 28-1410 inclusive
	63750-000	B,C	COWL ASSEMBLY - Engine top, complete	1	28-1411 to 28-1760 inclusive
	63750-000	A	COWL ASSEMBLY - Engine top, complete	1	28-20002 to 28-22159 incl.
	62922-003	A,B,C	COWL ASSEMBLY - Engine top, less fasteners	1	28-1761 and up
	63750-006	A	COWL ASSEMBLY - Engine top, complete	1	28-22160 and up
-2	63603-008	B,C	* COWL ASSEMBLY - Engine top, center	1	28-1761 and up
	63603-008	A	* COWL ASSEMBLY - Engine top, center	1	28-20002 and up
-2a	63603-026		** HINGE ASSEMBLY - Engine cowl	2	
-3	63603-014	B	* COWL ASSEMBLY - Engine side, left	1	28-1 to 28-1015 inclusive
	63603-018	B	* COWL ASSEMBLY - Engine side, left	1	28-1016 to 28-1410 inclusive
	63603-018	C	* COWL ASSEMBLY - Engine side, left	1	28-671 to 28-1410 inclusive
	63750-002	B,C	* COWL ASSEMBLY - Engine side, left	1	28-1411 to 28-1760 inclusive
	63750-002	A	* COWL ASSEMBLY - Engine side, left	1	28-20002 to 28-22159 incl.
	63750-007	A	* COWL ASSEMBLY - Engine side, left	1	28-22160 and up
	63603-013	B	* COWL ASSEMBLY - Engine side, right	1	28-1 to 28-1015 inclusive
	63603-013	B	* COWL ASSEMBLY - Engine side, right	1	28-1016 to 28-1410 incl.
	63603-017	C	* COWL ASSEMBLY - Engine side, right	1	28-671 to 28-1410 inclusive
	63750-003	B,C	* COWL ASSEMBLY - Engine side, right	1	28-1411 to 28-1760 incl.
	63750-003	A	* COWL ASSEMBLY - Engine side, right	1	28-20002 to 28-22159 incl.
	63750-008	A	* COWL ASSEMBLY - Engine side, right	1	28-22160 and up
-4	12723-000	B,C	** FASTENER - Engine cowl	2	28-1 to 28-1760 inclusive
	12723-000	A	** FASTENER - Engine cowl	2	28-20002 to 28-22159 incl.
	66547-000	A	** FASTENER ASSEMBLY - Engine cowl	2	28-22160 and up
-5	480-685	B,C,D	*** PIN - (99836)	1	28-1 to 28-1760 inclusive
	480-685	A,D	*** PIN - (99836)	1	28-20002 to 28-22159 incl.
	484-428	A	*** RETAINER - (85-34-101-20)	1	28-22160 and up
-5a	487-562	B,C	*** STUD - (W98292-2-180)	1	28-1 to 28-1760 inclusive
	487-562	A	*** STUD - (W98292-2-180)	1	28-20002 to 28-22159 incl.
	487-718	A	*** STUD - (5-W-180)	1	28-22160 and up
-6	407-584	B,C	** WASHER - (AN960-10L)	4	28-1 to 28-1760 inclusive
	407-584	A	** WASHER - (AN960-10L)	4	28-20002 and up
-7	12813-000	B,C	* CATCH ASSEMBLY - Cowl rod	1	28-1 to 28-1410 inclusive
	554-753	B,C	* CLIP - Cowl rod catch (127002)	1	28-1411 to 28-1760 incl.
	554-753	A	* CLIP - Cowl rod catch (127002)	1	28-20002 and up
-8	62179-000	B,C	* ROD ASSEMBLY - Cowl support	1	28-1411 to 28-1760 incl.
	62179-000	A	* ROD ASSEMBLY - Cowl support	1	28-20002 and up
-9	62180-000	B,C	* CLIP - Cowl rod support	1	28-1411 to 28-1760 incl.
	62180-000	A	* CLIP - Cowl rod support	1	28-20002 and up

A - Used on PA-28-140 airplanes only.
 B - Used on PA-28-150 and PA-28-160 airplanes only.
 C - Used on PA-28-180 airplanes only.
 D - Reference latest revision of Piper Service Letter 535 for instructions on securing rudder trim locking pin.

When ordering, always specify Part Number, Description, and Serial Number of Aircraft

PA-28-140
 PA-28-150
 PA-28-160
 PA-28-180

PIPER PARTS CATALOG

Figure and Index Number	Part Number	Code	NOMENCLATURE	No. Req.	SERIAL NUMBERS AFFECTED
64 -10	65148-000	B,C	* PLATE ASSEMBLY - Cowl pin, left	1	28-1761 and up
	65148-001	B,C	* PLATE ASSEMBLY - Cowl pin, right	1	28-1761 and up
-10a	581-025	B,C	* PLUG - Cowl	3	28-1761 and up
-11	65291 004	B,C,E	* DOOR ASSEMBLY - Oil filler	1	28-1761 and up
	99096-000	B,C,F	* DOOR ASSEMBLY - Oil filler	1	28-1761 and up
-12	472-017	B,C	** LATCH - Oil filter door (KM610-32)	1	28-1761 and up
-13	65291-003	B,C	** HINGE ASSEMBLY - Oil filler door	1	28-1761 and up
-13a	65240-000	B,C	* ANGLE - Cowl fastener, rear, left	1	28-1761 and up
	65240-001	B,C	* ANGLE - Cowl fastener, rear, right	1	28-1761 and up
-13b	65241-000	B,C	* ANGLE - Cowl fastener, front	2	28-1761 and up
-13c	68787-000	B,C,E	* PLATE - Reinforcement, oil filler door	1	28-1761 and up
	99094-002	B,C,F	* PLATE ASSEMBLY - Reinforcement oil filler door	1	28-1761 and up
-14	63619-008	B	COWL ASSEMBLY - Engine bottom, complete	1	28-1 to 28-784 inclusive
	63700-000	B	COWL ASSEMBLY - Engine bottom, complete	1	28-785 to 28-1520 inclusive
	63700-000	C	COWL ASSEMBLY - Engine bottom, complete	1	28-671 to 28-1520 inclusive
	62217-000	B,C	COWL ASSEMBLY - Engine bottom, complete	1	28-1521 to 28-1760 inclusive
	62217-000	A	COWL ASSEMBLY - Engine bottom, complete	1	28-20002 to 28-22159 incl.
	62988-000	B,C	COWL ASSEMBLY - Engine bottom, complete	1	28-1761 to 28-3643 inclusive
	62988-002	B	COWL ASSEMBLY - Engine bottom, complete	1	28-3644 and up
	62988-002	C	COWL ASSEMBLY - Engine bottom, complete	1	28-3644 to 28-5149 inclusive
	62988-003	C	COWL ASSEMBLY - Engine bottom, complete	1	28-5150 to 28-7205091 incl.
	62988-004	C	COWL ASSEMBLY - Engine bottom, complete	1	28-7205092 and up
	62217-003	A	COWL ASSEMBLY - Engine bottom, complete	1	28-22160 and up
-15	66609-000	B,C,D	* SCOOP - Bottom cowl	1	28-1521 to 28-1760 inclusive
	66609-000	A	* SCOOP - Bottom Cowl	1	28-20002 and up
-16	62216-000	B,C,D	* TUBE ASSEMBLY - Bottom cowl	1	28-1521 to 28-1760 inclusive
	62216-000	A	* TUBE ASSEMBLY - Bottom cowl	1	28-20002 and up
-17	484-341	A	* RECEPTACLE - (99947-P130)	4	28-20002 to 28-23932 incl.
	484-341	B,C	* RECEPTACLE - (99947-P130)	4	28-1 to 28-5877 inclusive
	484-291	A	* RECEPTACLE - (5-295)	4	28-23933 and up
	484-291	B,C	* RECEPTACLE - (5-295)	4	28-5878 and up
-18	65889-000		* CUP - Cowl fastener	4	
-19	65151-000	B,C	* LOUVER - Bottom cowl	2	28-1761 and up
-19a	69791-000	B,C	* PLATE ASSEMBLY - Bottom cowl	2	28-1761 and up
	484-840	B,C	** RING - Retaining	1	28-1761 and up
	69790-000	B,C	** BUSHING	1	28-1761 and up
-19b	63085-000	B,C	* RETAINER - Air filter seal	1	28-1761 and up
-19c	63086-000	B,C	* SEAL - Air filter	1	28-1761 and up
-20	63639-000	B	COWL ASSEMBLY - Nose	1	28-1 to 28-1015 inclusive
	63679-000	B	COWL ASSEMBLY - Nose	1	28-1016 to 28-1760 inclusive
	63679-000	C	COWL ASSEMBLY - Nose	1	28-671 to 28-1760 inclusive
	63679-000	A	COWL ASSEMBLY - Nose	1	28-20002 to 28-71 25471 incl.
	99515-000	A	COWL ASSEMBLY - Nose	1	28-7125472 and up
-20a	99515-002	A	* COWL ASSEMBLY - Nose, bottom	1	28-7125472 and up
-20b	99515-003	A	* COWL ASSEMBLY - Nose, top	1	28-7125472 and up

A - Used on PA-28-140 airplanes only.
 B - Used on PA-28-150 and PA-28-160 airplanes only.
 C - Used on PA-28-180 airplanes only.
 D - Used on PA-28-150, PA-28-160 and PA-28-180 with serial numbers 28-1 to 28-1520 inclusive if Fuel Cooling Kit 756-808 or 756-809 has been installed.
 E - Used if existing oil filler door dimensions are 5 inches wide by 4-3/4 inches long.
 F - Used if existing oil filler door dimensions are 5-3/4 inches wide by 5 inches long.

When ordering, always specify Part Number, Description, and Serial Number of Aircraft

PA-28-140
 PA-28-150
 PA-28-160
 PA-28-180

PIPER PARTS CATALOG

Figure and Index Number	Part Number	Code	NOMENCLATURE	No. Req.	SERIAL NUMBERS AFFECTED
64 -21	63618-000	B	PLATE - Bottom cowl	1	28-1 to 28-507 inclusive
-22	63263-000	B,C	COVER - Bottom cowl	1	28-1 to 28-724 inclusive
-23	62945-000	B	ROD - Cowl closure	2	28-1761 and up
	62945-000	A	ROD - Cowl closure	2	28-1761 to 28-5149 inclusive
-24	62946-000	B	PLATE ASSEMBLY - Cowl closure	1	28-1761 and up
	62946-000	A	PLATE ASSEMBLY - Cowl closure	1	28-1761 to 28-5149 inclusive
-25	12809-000	B	ROD - Cowl support	2	28-1 to 28-147 inclusive
	63690-000	A,B	ROD - Cowl support	2	28-148 to 28-1410 inclusive
-26	416-633		SCREW - (MS24693-S273)	4	
-27	411-533		SCREW - (MS35207-264)	31	
-28	411-533		SCREW - (MS35207-264)	10	
	690-609		WASHER - (NAS1149F0332P)	10	
-29	65455-000	A	CHANNEL - Cowl	1	28-5150 and up
-30	65202-000	A,B	FASTENER ASSEMBLY - Top cowl	4	28-1761 to 28-3643 inclusive
	65202-005	A,B	FASTENER ASSEMBLY - Top cowl	4	28-3644 and up
-31	480-685	A,B,D	PIN - (99836)	1	28-1761 to 28-3643 inclusive
	484-428	A,B	RETAINER - (85-34-101-20)	1	28-3644 and up
-32	487-673	A,B	STUD - (W98292-2-250)	1	28-1761 to 28-3643 inclusive
	487-719	A,B	STUD - (5-W-260)	1	28-3644 and up

A - Used on PA-28-180 airplanes only.
 B - Used on PA-28-150 and PA-28-160 airplanes only.
 C - Used when rotating beacon is not installed.
 D - Reference latest revision of Piper Service Letter 535 for instructions on securing rudder trim locking pin.

When ordering, always specify Part Number, Description, and Serial Number of Aircraft

PA-28-140
 PA-28-150
 PA-28-160
 PA-28-180

THIS PAGE INTENTIONALLY LEFT BLANK

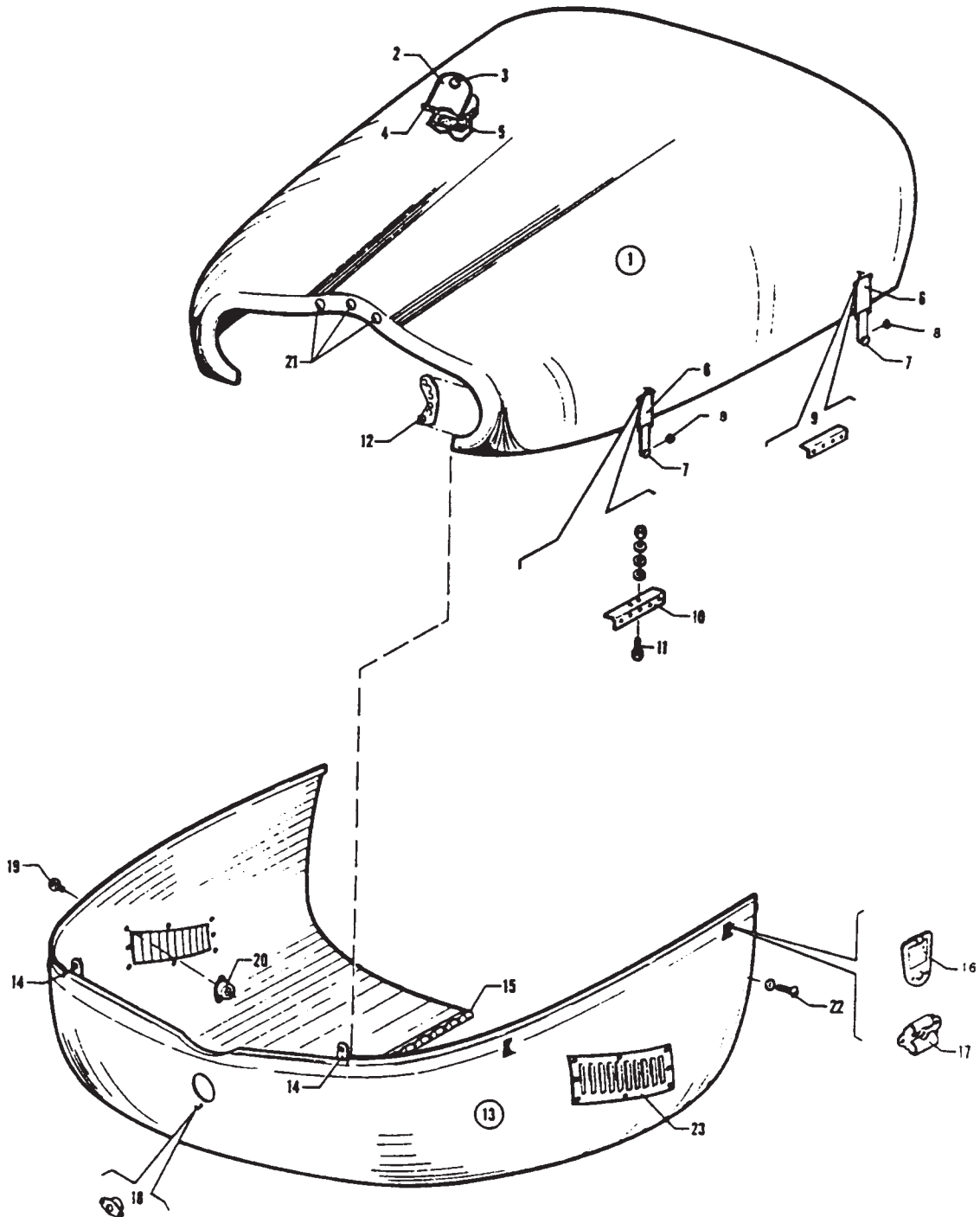


Figure 65. Engine Cowl Installation

THIS PAGE INTENTIONALLY LEFT BLANK

PIPER PARTS CATALOG

Figure and Index Number	Part Number	Code	NOMENCLATURE	No. Req.	SERIAL NUMBERS AFFECTED
65-	67349		DRAWING - Cowl Assembly (Complete)		
-1	67350-000		COWL ASSEMBLY - Top	1	
-2	65291-004	C	* DOOR ASSEMBLY - Oil filler	1	
	99096-000	D	* DOOR ASSEMBLY - Oil filler	1	
-3	472-017		** LATCH - Oil filler door	1	
-4	65291-003		** HINGE ASSEMBLY - Oil filler door	1	
-5	68787-000	C	* PLATE - Reinforcement, oil filler door	1	
	99094-002	D	* PLATE ASSEMBLY - Reinforcement, oil filler door	1	
-6	65202-005		* FASTENER ASSEMBLY - Cowl	4	
-7	487-719		** STUD - (5-W-260)	1	
-8	484-428		** RETAINER - (85-34-101-20)	1	
-9	65240-000		* ANGLE - Cowl fastener, rear, left	1	
	65240-001		* ANGLE - Cowl fastener, rear, right	1	
-10	65241-000		* ANGLE - Cowl fastener, front	2	
-11	400-438		* BOLT - (AN3-4A)	8	
	690-612		* WASHER - (NAS1149F0363P)	24	
	404-526		* NUT - (MS21042-3)	8	
-12	65148-000		* PLATE ASSEMBLY - Cowl pin, left	1	
	65148-001		* PLATE ASSEMBLY - Cowl pin, right	1	
-13	67351-014	A	COWL ASSEMBLY - Bottom	1	
	67846-000	E	COWL ASSEMBLY - Bottom	1	
	67846-010	B	COWL ASSEMBLY - Bottom	1	28R-7235001 and up
-14	69791-000		* PLATE ASSEMBLY - Bottom cowl	2	
	484-840		** RING - Retaining	1	
	69790-000		** BUSHING	1	
-15	67355-000		* HINGE HALF - Bottom cowl, left	1	
	67355-001		* HINGE HALF - Bottom cowl, right	1	
-16	65889-000		* CUP ASSEMBLY - Cowl fastener	4	
-17	484-291		* RECEPTACLE - (5-295)	4	
-18	406-646		* NUT - Anchor (NAS1068A06L)	1	
-19	414-763	A	SCREW - (AN507-832R8)	16	
	414-763	B	SCREW - (AN507-832R8)	8	
-20	477-809	A	NUT - Anchor (MS21059L08)	16	
	477-809	B	NUT - Anchor (MS21059L08)	8	
-21	581-025		PLUG - (15-903)	3	
-22	416-996		SCREW - (AN526-1032R10)	10	
	690-609		WASHER - (NAS1149F0332P)	10	
-23	65151-000	A	LOUVER - Bottom cowl	2	
	65151-000	B	LOUVER - Bottom cowl	1	

A - Used on PA-28R-180 airplanes only.
 B - Used on PA-28R-200 airplanes only.
 C - Used if existing oil filler door dimensions are 5 inches wide by 4-3/4 inches long.
 D - Used if existing oil filler door dimensions are 5-3/4 inches wide by 5 inches long.
 E - Used on PA-28R-200 with serial number 28R-30482, 28R-35001 to 28R-7135238 inclusive.

When ordering, always specify Part Number, Description, and Serial Number of Aircraft

THIS PAGE INTENTIONALLY LEFT BLANK

PIPER PARTS CATALOG

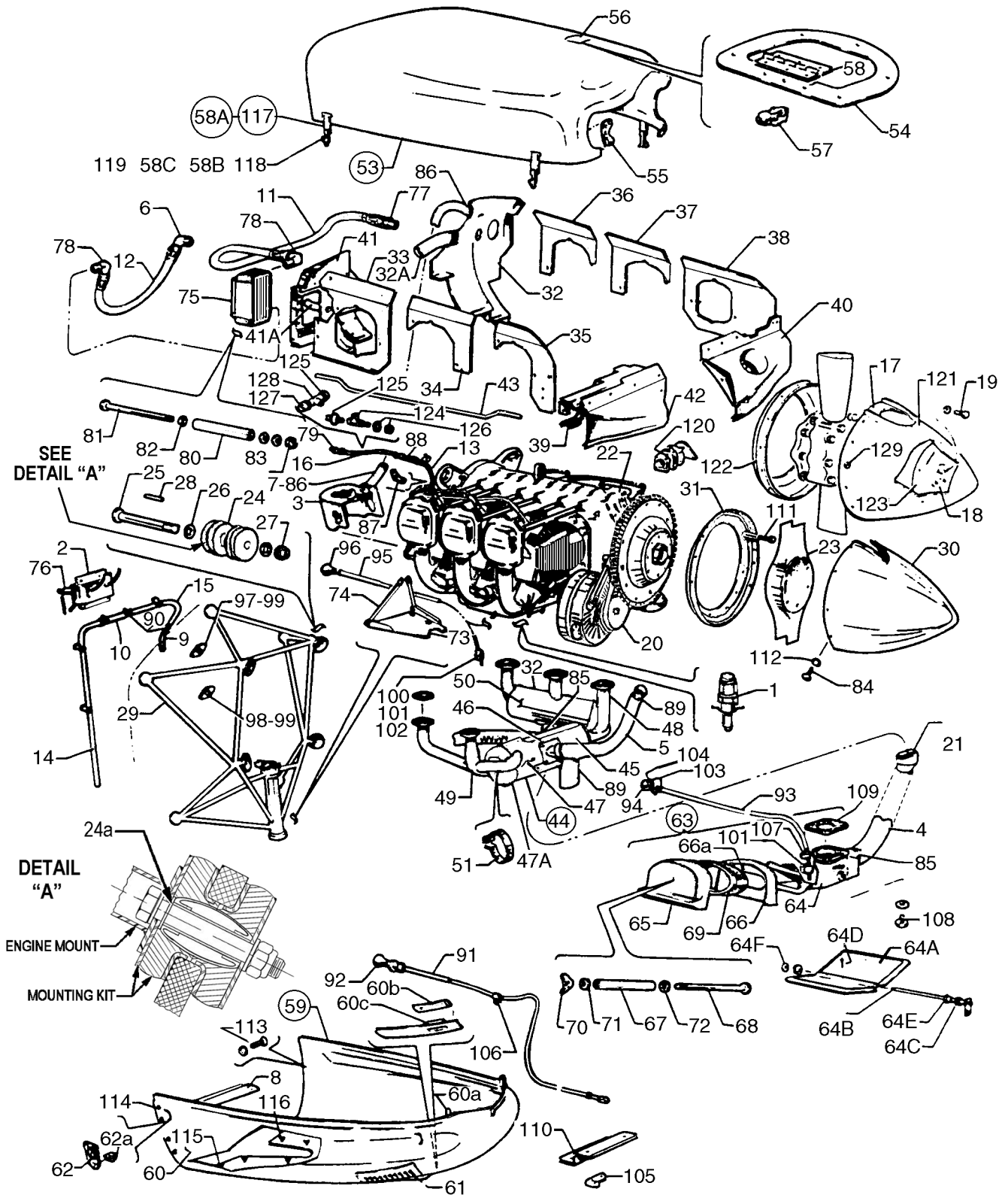


Figure 66. Powerplant Installation

THIS PAGE INTENTIONALLY LEFT BLANK

PIPER PARTS CATALOG

Figure and Index Number	Part Number	Code	NOMENCLATURE	No. Req.	SERIAL NUMBERS AFFECTED
66-	65065 65085 65495 69261 65215 65048	A	DRAWING - Powerplant Installation DRAWING - Powerplant Installation DRAWING - Powerplant Installation DRAWING - Powerplant Installation DRAWING - Engine Controls Installation DRAWING - Baffle Installation		28-10003 to 28-10486 incl. 28-10487 to 28-10719 incl. 28-10720 to 28-11033 incl. 28-11040 and up 28-10003 to 28-11039 incl.
-1	61879-002		VALVE ASSEMBLY - Oil drain	1	
-2	65261-000		BOX ASSEMBLY - Magneto filter	1	28-10003 to 28-10719 incl.
-3	23107-000	B	BAFFLE ASSEMBLY - Fuel pump	1	
	63425-000	C	BAFFLE ASSEMBLY - Fuel pump	1	
	25006-006	D	BAFFLE ASSEMBLY - Fuel pump	1	
-4	99944-004		HOSE - Air filter to muffler shroud, length 14-1/4"	1	
-5	63633-018		HOSE - Muffler to left front baffle	1	28-10003 to 28-10062 incl.
	63633-024		HOSE - Muffler to left front baffle	1	28-10063 and up
-6	458-898		ELBOW - (AN822-8D)	1	28-10003 to 28-10230 incl.
	458-886		ELBOW - (AN823-8D)	1	28-10720 and up
-7	63633-020		HOSE - Fuel pump blast	1	
-8	65455-000		CHANNEL - Cowl	1	28-10487 to 28-7210033 incl.
-9	63913-029		HOSE - Engine breather	1	28-10003 to 28-10279 incl.
	63913-046		HOSE - Engine breather	1	28-10280 and up
-10	63913-030		HOSE - Engine breather	1	
-11	63901-026		HOSE ASSEMBLY - Oil radiator inlet to engine	1	
-12	61413-003		HOSE ASSEMBLY - Oil radiator outlet to engine	1	28-10003 to 28-10230 incl.
	63901-016		HOSE ASSEMBLY - Oil radiator outlet to engine	1	28-10231 and up
-13	71061-000		HOSE ASSEMBLY - Oil pressure gauge	1	28-10003 to 28-10666 incl.
	63901-027		HOSE ASSEMBLY - Oil pressure gauge	1	28-10667 and up
-14	65221-000		TUBE - Engine breather	1	
-15	65376-000		TUBE - Engine breather	1	
-16	65225-000		TUBE ASSEMBLY - Oil pressure	1	28-10003 to 28-10486 incl.
	65465-000		TUBE ASSEMBLY - Oil pressure	1	28-10487 to 28-10666 incl.
	65472-000		TUBE ASSEMBLY - Oil pressure	1	28-10667 to 28-11039 incl.
	67700-040		TUBE ASSEMBLY - Oil pressure	1	28-11040 to 28-11380 incl.
	67700-054		TUBE ASSEMBLY - Oil pressure	1	28-11381 to 28-7410120 incl.
	67700-090		TUBE ASSEMBLY - Oil pressure, forward	1	28-7510001 and up
	67700-087		TUBE ASSEMBLY - Oil pressure, aft	1	28-7510001 and up
-17	67794-000		CUFF - Spinner	2	28-7310001 and up
-18	99499-000		PLATE - Spinner	1	28-7310001 and up
-19	401-301		BOLT - (AN4H3A)	4	28-7310001 and up
	690-611		WASHER - (NAS1149F0463P)	8	28-7310001 and up

A - See Figure 57B or 57C Engine Controls Installation for serial numbers 28-11040 and up.
 B - Used with fuel pump AC562-467 only.
 C - Used with fuel pump AC6440174 and AC6440295 only.
 D - Used with fuel pump AC6441271 only.

When ordering, always specify Part Number, Description, and Serial Number of Aircraft

PIPER PARTS CATALOG

Figure and Index Number	Part Number	Code	NOMENCLATURE	No. Req.	SERIAL NUMBERS AFFECTED
66 -20	-----	H	ALTERNATOR Installation - Chrysler		
-21	69677-000		TUBE ASSEMBLY - Carburetor heat	1	28-10003 to 28-7310054 incl.
-22	-----	F,J	ENGINE - Lycoming (O-540-B2B5)	1	28-10003 to 28-10152 incl.
	-----	F,J	ENGINE - Lycoming (O-540-B1B5)	1	28-10153 to 28-10165 incl.
	-----	F,J	ENGINE - Lycoming (O-540-B4B5)	1	28-10166 and up
-23	450-964	A	PROPELLER - McCauley (1P235PFA80-69)	1	28-10003 to 28-7210033 incl.
	450-960	A	PROPELLER - Sensenich (80BM8-0-71)	1	28-10166 to 28-7210033 incl.
	550-938	E	PROPELLER - Hartzell (HC-C2YK-1BF/F8468A-4)	1	28-7310001 and up
-24	475-114	B	MOUNTING KIT - Engine (J-7402-20)	4	28-10003 to 28-10719 incl.
	475-111		MOUNTING KIT - Engine (J-3804-27)	4	28-10720 and up
-24a	407-565		WASHER - Engine mounting (AN960-416)	4	
-25	401-520		BOLT - Engine to mount (AN7-26A)	4	
-26	690-630		WASHER - Engine to mount (NAS1149F0763P)	8	
-27	404-891		NUT - Engine to mount (MS20365-720C)	4	
-28	480-727		ROLL PIN - Engine to mount (52-028-125-1000)	4	
-29	65000-000		MOUNT ASSEMBLY - Engine and nose gear strut	1	28-10003 to 28-7310187 incl.
	65000-023		MOUNT ASSEMBLY - Engine and nose gear strut	1	28-7410001 and up
-30	65209-000	A,G	SPINNER - Propeller, aluminum	1	28-10003 to 28-10660 incl.
	63760-003	A	SPINNER - Propeller, fiberglass	1	28-10661 to 28-7210033 incl.
-31	65208-000	A,C	BULKHEAD ASSEMBLY - Spinner	1	28-10003 to 28-10660 incl.
	65208-003	A,D	BULKHEAD ASSEMBLY - Spinner	1	28-10661 to 28-7210033 incl.
-32	65030-000		BAFFLE ASSEMBLY - Left rear	1	
-32a	65031-000		TUBE - Blast	1	
-33	65097-000		BAFFLE - Right side rear	1	
-34	65098-000		BAFFLE - Right side center	1	
-35	65099-000		BAFFLE - Right side front	1	
-36	65100-000		BAFFLE - Left side rear	1	
-37	65101-000		BAFFLE - Left side center	1	
-38	65102-000		BAFFLE - Left side front	1	
-39	65137-000		BAFFLE ASSEMBLY - Right front	1	
-40	68759-000		BAFFLE ASSEMBLY - Left front	1	
			A - If constant speed propeller is installed, see Figure 67 or 67A.		
			B - If less than four mounts are being replaced, ascertain number which is stamped on rubber part of mount and order either 475-114 (J-7402-20) or 475-111 (J-3804-27). If four mounts are being replaced, order 475-111 (J-3804-27).		
			C - Used if aluminum spinner is installed.		
			D - Used if fiberglass spinner is installed.		
			E - See Figure 67B for component parts.		
			F - Secure from Lycoming, Division-Avco Corporation, Williamsport, Penna.		
			G - No longer available. Order (1) each spinner Part Number 63760-003 and bulkhead assembly Part Number 65208-003 as a replacement. If fiberglass spinner is already installed new spinner Part Number 63760-003 only need be ordered.		
			H - See Figure 71 for component parts.		
			J - Reference Vendor Service Publication 148. PA-28-235 Cherokees equipped with O-540-series engines have experienced crankshaft gear retaining bolt failure due to a metallurgical condition. Failure of the retaining bolt results in total loss of power without warning. Lycoming requires the bolt be replaced with the new bolt, Lycoming Part Number STD-2209, which can be ordered from Lycoming. This does not affect engines with single drive dual magnetos.		

When ordering, always specify Part Number, Description, and Serial Number of Aircraft

PIPER PARTS CATALOG

Figure and Index Number	Part Number	Code	NOMENCLATURE	No. Req.	SERIAL NUMBERS AFFECTED
66 -41	65169-000		BAFFLE ASSEMBLY - Right rear	1	28-10003 to 28-7210033 incl.
	99985-000		BAFFLE ASSEMBLY - Right rear	1	28-7310001 and up
-41a	65044-000		* TUBE - Blast	1	
-42	65139-000		FAIRING - Right front baffle	1	
-43	65103-002		ROD - Baffle tie	2	
-44	65046-000		MUFFLER ASSEMBLY - Complete	1	28-10003 to 28-10062 incl.
	65420-000		MUFFLER ASSEMBLY - Complete	1	28-10063 to 28-10985 incl.
	65811-000		MUFFLER ASSEMBLY - Complete	1	28-10986 to 28-7210033 incl.
	69175-002		MUFFLER ASSEMBLY - Complete	1	28-7310001 and up
-45	65012-000		* MUFFLER ASSEMBLY	1	28-10003 to 28-10062 incl.
	65419-000		* MUFFLER ASSEMBLY	1	28-10063 to 28-10985 incl.
	65813-000		* MUFFLER ASSEMBLY	1	28-10986 to 28-7210033 incl.
	68718-003		* MUFFLER ASSEMBLY	1	28-7310001 and up
-46	65052-000		* CLIP ASSEMBLY - Muffler shroud	1	28-10003 to 28-10062 incl.
	65052-002		* CLIP ASSEMBLY - Muffler shroud	1	28-10063 to 28-10985 incl.
-47	65057-000		* SHROUD ASSEMBLY - Muffler	1	28-10003 to 28-10062 incl.
	65418-000		* SHROUD ASSEMBLY - Muffler	1	28-10063 to 28-10985 incl.
	65810-000		* SHROUD ASSEMBLY - Muffler	1	28-10986 to 28-7210033 incl.
	69174-000		* SHROUD ASSEMBLY - Muffler	1	28-7310001 and up
-47a	554-848		* CLAMP - Muffler shroud	2	28-10986 and up
-48	65038-000		STACK ASSEMBLY - Left exhaust	1	
-49	65039-000		STACK ASSEMBLY - Right exhaust	1	
-50	65041-000		SHROUD ASSEMBLY - Right exhaust	1	28-10003 to 28-7310054 incl.
	69675-000		SHROUD ASSEMBLY - Right exhaust	1	28-7310055 and up
-51	14235-008		CLAMP - Muffler attachment	1	28-10003 to 28-10486 incl.
	65442-000		CLAMP - Muffler attachment	1	28-10487 and up
-52	63670-000		CLIP - Shroud	6	
-53	65069-003		COWL ASSEMBLY - Top, less fasteners	1	28-10003 to 28-7210033 incl.
	65069-004		COWL ASSEMBLY - Top, with fasteners	1	28-7310001 and up
-54	68787-000	B	* PLATE - Reinforcement, oil filler door	1	
	99094-002	A	* PLATE ASSEMBLY - Reinforcement, oil filler door	1	
-55	65148-000		* PLATE ASSEMBLY - Cowl pin, left	1	
	65148-001		* PLATE ASSEMBLY - Cowl pin, right	1	
-56	65291-000	B	* DOOR ASSEMBLY - Oil filler	1	
	99096-000	A	* DOOR ASSEMBLY - Oil filler	1	
-57	472-017		** LATCH - Oil filler door (KM610-32)	1	
-58	65291-003		** HINGE ASSEMBLY - Oil filler door	1	
-58a	65202-005		* FASTENER ASSEMBLY - Top cowl	1	28-7310001 and up
-58b	484-428		* RETAINER - (85-34-101-20)	1	28-7310001 and up
-58c	487-719		* STUD - (5-W-260)	1	28-7310001 and up

A - Used if existing oil filler door dimensions are 5-3/4 inches wide by 5 inches long.
 B - Used if existing oil filler door dimensions are 5 inches wide by 4-3/4 inches long.

When ordering, always specify Part Number, Description, and Serial Number of Aircraft

PIPER PARTS CATALOG

Figure and Index Number	Part Number	Code	NOMENCLATURE	No. Req.	SERIAL NUMBERS AFFECTED
66 -59	65070-000	A	COWL ASSEMBLY - Bottom (complete)	1	
	65070-002	B	COWL ASSEMBLY - Bottom (complete)	1	
	65070-003		COWL ASSEMBLY - Bottom (complete)	1	28-10487 to 28-10560 incl.
	65070-004		COWL ASSEMBLY - Bottom (complete)	1	28-10561 to 28-10755 incl.
	65070-006		COWL ASSEMBLY - Bottom (complete)	1	28-10756 to 28-7210033 and
	65070-007		COWL ASSEMBLY - Bottom (complete)	1	28-7310001 and up
	-60	65068 000	A	* COWL ASSEMBLY - Bottom	1
65068-025		B	* COWL ASSEMBLY - Bottom	1	
65086-000			* COWL ASSEMBLY - Bottom	1	28-10487 to 28-10560 incl.
65086-002			* COWL ASSEMBLY - Bottom	1	28-10561 to 28-7210033 incl.
	65086-003		* COWL ASSEMBLY - Bottom	1	28-7310001 and up
-60a	69791-000		** PLATE ASSEMBLY - Bottom cowl	2	
-60b	63085-000		** RETAINER - Air filter seal	1	28-10561 and up
-60c	63086-000		** SEAL - Air filter	1	28-10561 and up
-61	65151-040		* LOUVER - Bottom cowl	2	
-62	65889-000		* CUP ASSEMBLY - Cowl fastener	4	
-62a	484-341		* RECEPTACLE - (99947-P130)	4	28-10003 to 28-10755 incl.
	484-291		* RECEPTACLE - (5-295)	4	28-10756 and up
-63	65230-000		FILTER ASSEMBLY - Carburetor air	1	28-10003 to 28-10560 incl.
	65402-000		FILTER ASSEMBLY - Carburetor air (less filter, cover and wing nuts)	1	28-10561 and up
-64	65142-000		* AIR BOX ASSEMBLY - Carburetor (less filter housing)	1	28-10003 to 28-10560 incl.
	65398-000		* AIR BOX ASSEMBLY - Carburetor (less filter housing)	1	28-10561 and up
-64a	65142-007		** VALVE ASSEMBLY - Air box	1	
-64b	65142-008		** SHAFT ASSEMBLY - Air box	1	
-64c	434-129		** GROMMET - (AN931-5-9)	2	28-10003 to 28-10560 incl.
	434-134	C	** GROMMET - (MS35489-11)	2	28-10561 and up
-64d	415-146		** SCREW - (AN526-632R7)	3	
-64e	453-991	C	** BUSHING	2	28-10561 and up
-64f	690-628		** WASHER - (NAS1149F0563P)	1	
	424-051		** COTTER PIN - (MS24665-132)	1	
-65	65262-000		* COVER ASSEMBLY - Filter	1	28-10003 to 28-10560 incl.
	65403-000		* COVER ASSEMBLY - Filter	1	28-10561 and up
-66	65263-000		* HOUSING ASSEMBLY - Filter	1	28-10003 to 28-10560 incl.
	65396-000		* BOX ASSEMBLY - Filter	1	28-10561 and up
-66a	65399-000		* DOUBLER - Air box	1	28-10561 and up
-67	65003-005		* BUSHING	1	28-10003 to 28-10560 incl.
-68	65235-000		* BOLT	1	28-10003 to 28 10560 incl.
	416-999		* SCREW - (AN526-1032R16)	2	28-10561 and up
-69	460-632	D	* AIR FILTER - (CA-161PL)	1	
-70	477-668		* NUT - Wing (WC-02)	2	
-71	404-224		* NUT - (AN315-3R)	2	
-72	407-564		* WASHER - (AN960-10)	1	28-10003 to 28-10560 incl.
	407-135		* WASHER - (AN936-A10)	2	28-10561 and up

- A - Used on airplanes with serial number 28-10003, 28-10004, 28-10018, 28-10020 and 28-10021.
- B - Used on airplanes with serial numbers 28-10005 to 28-10017, 28-10019 and 28-10022 to 28-10486 inclusive.
- C - Used on aircraft which have a .625 hole in the Carburetor Air Box for the air box valve shaft grommets.
- D - Reference latest revision of Piper Service Bulletin 1022 on Inspection of Induction Air Filter and Distribution of Purolator on PA-28-235 aircraft with serial numbers 28-10001 thru 28-7710089 inclusive and 28-E11.

When ordering, always specify Part Number, Description, and Serial Number of Aircraft

PIPER PARTS CATALOG

Figure and Index Number	Part Number	Code	NOMENCLATURE	No. Req.	SERIAL NUMBERS AFFECTED
66 -73	65259-000		PLATE ASSEMBLY - Cowl closure	1	28-10003 to 28-10486 incl.
-74	65260-000		ROD - Cowl closure	2	28-10003 to 28-10486 incl.
-75	18622-000		OIL RADIATOR	1	28-10003 to 28-7210033 incl.
	16599-000		OIL RADIATOR	1	28-7310001 and up
-76	460-634		FILTER - Radio interference	2	28-10003 to 28-10719 incl.
-77	476-664		NIPPLE - (AN816-8D)	1	
-78	458-898	C	ELBOW - (AN822-8D)	2	
	558-908	B	ELBOW - (RA2000C-8)	2	
-79	484-349		REDUCER - (AN919-D)	1	
-80	86062-094		BUSHING - Oil radiator	4	
-81	400-463		BOLT - (AN3-40A)	4	28-10003 to 28-10152 incl.
	400-464		BOLT - (AN3-41A)	4	28-10153 and up
-82	690-612		WASHER - (NAS1149F0363P) Bottom bolt	8	
	690-609		WASHER - (NAS1149F0332P) Top bolt	8	
-83	404-526		NUT - (MS21042-3)	4	
-84	416-996		SCREW - Spinner (AN526-1032R10)	10	28-10003 to 28-10660 incl.
	400-438		BOLT - Spinner (AN3-4A)	12	28-10661 to 28-7210033 incl.
-85	99289-000		CLAMP - Air duct	3	
-86	454-837		CLAMP - (H-78000)	2	
-87	68778-000		ELBOW - Oil pressure hose	1	28-10667 and up
-88	491-055		UNION - (AN815-4)	1	28-10667 and up
-89	454-993		CLAMP - (H-3-1160)	2	
-90	454-981		CLAMP - (S-1-5160)	4	
-91	12693-004	A	CABLE ASSEMBLY - Throttle	1	28-10003 to 28-11039 incl.
-92	471-049	A	* KNOB - Throttle cable (95 black)	1	28-10003 to 28-11039 incl.
-93	63902-003		CABLE ASSEMBLY - Carburetor heat control	1	28-10003 to 28-10675 incl.
	63902-016	A	CABLE ASSEMBLY - Carburetor heat control	1	28-10676 to 28-11039 incl.
-94	471-084		* KNOB - Heat control (233 black)	1	28-10003 to 28-10675 incl.
	65617-000	A	* KNOB - Heat control	1	28-10676 to 28-11039 incl.
-95	63902-008		CABLE ASSEMBLY - Mixture control	1	28-10003 to 28-10675 incl.
	63902-017	A	CABLE ASSEMBLY - Mixture control	1	28-10676 to 28-11039 incl.
-96	471-084		* KNOB - Mixture control (233 black)	1	28-10003 to 28-10675 incl.
	65618-000	A	* KNOB - Mixture control	1	28-10676 to 28-11039 incl.
-97	63915-003	A	DISC - Firewall seal	2	28-10003 to 28-11039 incl.
-98	63915-004	A	DISC - Firewall seal	2	28-10003 to 28-11039 incl.
-99	18321-000	A	PLATE - Firewall	4	28-10003 to 28-11039 incl.
-100	70371-002	A	FITTING - Swivel	1	28-10003 to 28-11039 incl.
-101	70371-003	A	STUD	2	28-10003 to 28-11039 incl.
-102	91193-000	A	FITTING	1	28-10003 to 28-11039 incl.
-103	62978-000	A	CLAMP - Carburetor heat control cable	1	28-10003 to 28-11039 incl.
-104	62833-007	A	WASHER - Carburetor heat control cable	1	28-10003 to 28-11039 incl.
-105	63916-002	A	CLAMP	1	28-10003 to 28-11039 incl.
-106	554-860	A	CLAMP - Throttle control cable (RA-4400-1)	2	28-10003 to 28-11039 incl.
-107	554-890	A	CLAMP - Carburetor heat control cable (MS122901)	1	28-10003 to 28-11039 incl.
-108	401-918		BOLT - Air box attaching (AN74A-3)	4	
	408-051		WASHER - Air box attaching (MS35333-40)	4	
-109	63684-004		GASKET - Carburetor air box	1	
-110	65210-000	A	BRACKET - Engine controls	1	28-10003 to 28-11039 incl.

A - See Figure 57B or 57C Engine Controls Installation for serial numbers 28-11040 and up.
 B - Used when Stewart-Warner Oil Radiator 8406-F is installed.
 C - Used when Stewart-Warner Oil Radiator 8406-A is installed.

When ordering, always specify Part Number, Description, and Serial Number of Aircraft

PIPER PARTS CATALOG

Figure and Index Number	Part Number	Code	NOMENCLATURE	No. Req.	SERIAL NUMBERS AFFECTED
66 -111	401-310		BOLT - Spinner bulkhead (AN4-10A)	12	
	690-613		WASHER - Spinner bulkhead (NAS1149F0432P)	12	
	404-530		NUT - Spinner bulkhead (MS21042-4)	12	
-112	85012-047		WASHER - Spinner	10	28-10003 to 28-10660 incl.
-113	416-996	B	SCREW - (AN526-1032R10)	10	
	690-609	B	WASHER - (NAS1149F0332P)	10	
-114	487-587	A	STUD - (2600-5)	8	
	494-057	A	WASHER - (2600-SW2)	8	
-115	487-598	A	STUD - (2600-7)	2	
	494-057	A	WASHER - (2600-SW2)	2	
-116	487-585		STUD - (2600-3)	4	28-10003 to 28-10486 incl.
	494-057	C	WASHER - (2600-SW2)	4	
-117	65202-000		FASTENER ASSEMBLY - Top cowl	4	28-10003 to 28-10755 incl.
	65202-005		FASTENER ASSEMBLY - Top cowl	4	28-10756 to 28-7210033 incl.
-118	480-685		PIN - (99836)	1	28-10003 to 28-10755 incl.
	484-428		RETAINER - (85-34-101-20)	1	28-10756 to 28-7210033 incl.
-119	487-673		STUD - (W98292-2-250)	1	28-10003 to 28-10755 incl.
	487-719		STUD - (5-W-260)	1	28-10756 to 28-7210033 incl.
-120	66634-002	D,F	GOVERNOR - Hartzell (F-4-3A)	1	28-7310001 to 28-7510082, 28-7510085 inclusive
	66634-010	F	GOVERNOR - Hartzell (F-4-13)	1	28-7510083, 28-7510084, 28-7510086 and up
-121	67790-000		SPINNER SHELL - Propeller	1	28-7310001 and up
-122	67791-000		BULKHEAD ASSEMBLY - Spinner, aft	1	28-7310001 and up
-123	67793-000		BULKHEAD ASSEMBLY - Spinner, front	1	28-7310001 and up
-124	79038-000		TEE - Bulkhead fitting	1	28-7510001 and up
-125	587-961		SWITCH - (M-4011-35)	1	28-7510001 and up
-126	690-626		WASHER - (NAS1149F0732P)	1	28-7510001 and up
	477-629		NUT - (AN924-4)	1	28-7510001 and up
-127	587-990	E	SWITCH - (M-4006-4)	1	28-7610001 and up
-128	588-469	E	TEE - (1/8 MMS-S)	1	28-7610001 and up
-129	415-379		SCREW - (MS51958-63)	28	28-7310001 and up
	494-227		WASHER - Fiber	28	28-7310001 and up
<p>A - Used on airplanes with serial numbers 28-10003, 28-10004, 28-10018, 28-10020 and 28-10021.</p> <p>B - Used on airplanes with serial numbers 28-10487 and up.</p> <p>C - Used on airplanes with serial numbers 28-10005 to 28-10017 inclusive, 28-10019 and 28-10020 to 28-10486 inclusive.</p> <p>D - Order part for serial number 28-7510083, 28-7510084, 28 7510086 and up if Lycoming serial number on engine includes Suffix A.</p> <p>E - Used if engine hour meter is installed.</p> <p>F - Reference latest revision of Piper Service Letter 715 affecting all Piper airplanes with Hartzell propeller governors installed. A modified flyweight assembly is recommended to improve RPM control.</p>					

When ordering, always specify Part Number, Description, and Serial Number of Aircraft

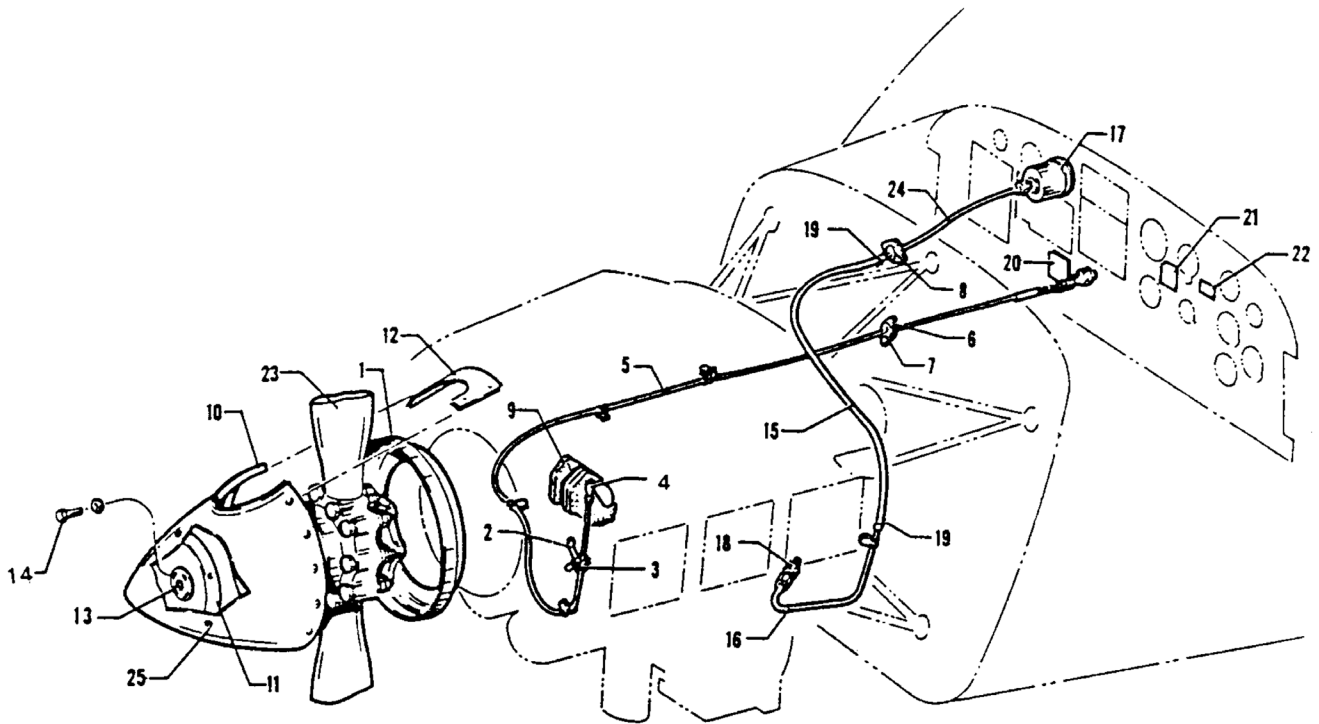


Figure 67. Constant Speed Propeller Installation
(PA-28-235 - Serial Nos. 28-10166 to 28-11039 inclusive)

THIS PAGE INTENTIONALLY LEFT BLANK

PIPER PARTS CATALOG

Figure and Index Number	Part Number	Code	NOMENCLATURE	No. Req.	SERIAL NUMBERS AFFECTED
67-	65436 65215 65437 65446		DRAWING - Constant Speed Propeller Installation DRAWING - Engine Controls Installation DRAWING - Instruments Installation DRAWING - Instruments Installation		28-10166 to 28-10486 incl. 28-10487 to 28-11039 incl.
-1	16444-000 67791-000	A	BULKHEAD ASSEMBLY - Spinner BULKHEAD ASSEMBLY - Spinner	1 1	28-10166 to 28-10660 incl. 28-10661 to 28-11039 incl.
-2	69546-000		BRACKET ASSEMBLY - Control cable	1	
-3	18219-002		CLAMP 1		
-4	31747-000		JOINT - Ball 1		
-5	22633-002 65451-002		CABLE ASSEMBLY - Governor control CABLE ASSEMBLY - Governor control	1 1	28-10166 to 28-10486 incl. 28-10487 to 28-11039 incl.
-6	18321-000		PLATE - Firewall disc	2	
-7	63915-009		DISC - Firewall seal	2	
-8	63915-010		DISC - Firewall seal	2	
-9	66634-002 66634-010	C,E D,E	GOVERNOR - Hartzell (F-4-3A) GOVERNOR - Hartzell (F-4-3A)	1 1	
-10	65435-000 67790-000		SPINNER - Propeller (complete) SPINNER SHELL - Propeller	1 1	28-10166 to 28-10660 incl. 28-10166 to 28-11039 incl.
-11	67793-000	A	BULKHEAD ASSEMBLY - Spinner, forward	1	28-10166 to 28-11039 incl.
-12	67794-000	A	CUFF - Spinner	2	28-10166 to 28-11039 incl.
-13	99499-000	A	PLATE - Spinner	1	28-10166 to 28-11039 incl.
-14	401-301 690-611	A A	BOLT - (AN4H3A) WASHER - (NAS1149F0463P)	4 8	28-10166 to 28-11039 incl. 28-10166 to 28-11039 incl.
-15	63913-048		HOSE - Flexible, manifold pressure gauge	1	
-16	65438-000		TUBE ASSEMBLY - Manifold pressure gauge	1	
-17	761-118		GAUGE - Manifold pressure	1	
-18	460-685		CONNECTOR - (W/H 200 x 4)	1	
-19	454-983		CLAMP - (SAE 8)	2	
-20	11199-008		PLATE - Cover	1	
-21	62346-000 69061-000		PLACARD - Take-off check list (2 x 2-3/16) PLACARD - Take-off check list (1-1/4 x 4)	1 1	
-22	62347-000 69164-002		PLACARD - Landing check list PLACARD - Landing check list	1 1	28-10166 to 28-10719 incl. 28-10720 to 28-11039 incl.
-23	550-938	B	PROPELLER - (Hartzell HC-C2YK-1BF/F8468A-4)	1	
-24	65152-010 65466-000		TUBE ASSEMBLY - Manifold pressure gauge TUBE ASSEMBLY - Manifold pressure gauge	1 1	28-10166 to 28-10486 incl. 28-10487 to 28-11039 incl.
-25	417-694 494-227		SCREW - (AN526C1032R8) WASHER - Fiber	28 28	28-10661 to 28-11039 incl. 28-10661 to 28-11039 incl.

A - If existing spinner is constructed of fiberglass, order Spinner Replacement Kit 760-452.
 B - See Figure 67B for component parts.
 C - Used if Lycoming serial number on engine does not include Suffix A.
 D - Used if Lycoming serial number on engine includes Suffix A.
 E - Reference latest revision to Piper Service Letter 715 affecting all Piper airplanes with Hartzell propeller governors installed. A modified flyweight assembly is recommended to improve RPM control.

When ordering, always specify Part Number, Description, and Serial Number of Aircraft

THIS PAGE INTENTIONALLY LEFT BLANK

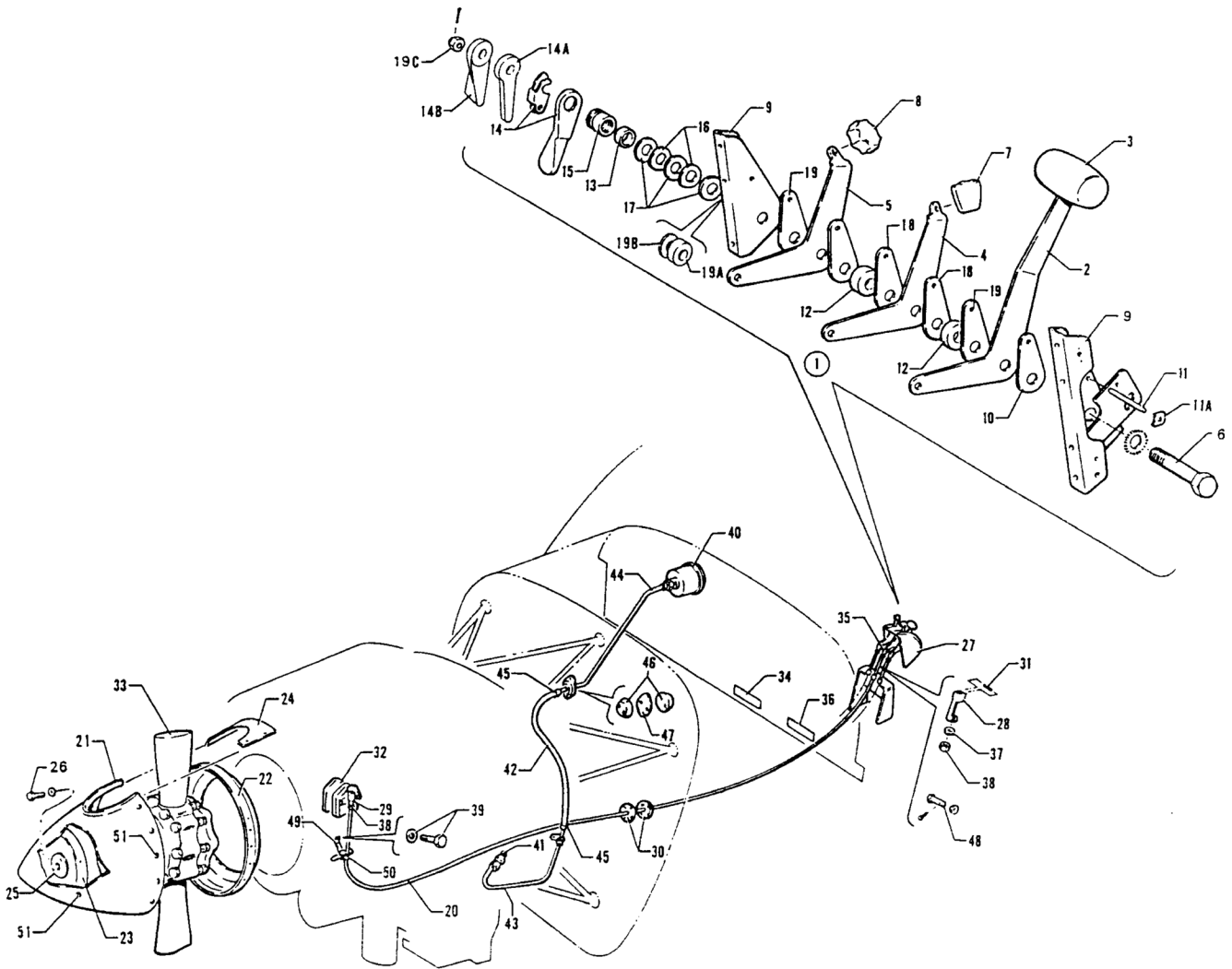


Figure 67A. Constant Speed Propeller Installation
(PA-28-235 - Serial Nos. 28-11040 to 28-7210033 inclusive)

THIS PAGE INTENTIONALLY LEFT BLANK

PIPER PARTS CATALOG

Figure and Index Number	Part Number	Code	NOMENCLATURE	No. Req.	SERIAL NUMBERS AFFECTED
67A-	69258 69264		DRAWING - Constant Speed Propeller Installation DRAWING - Manifold Pressure Gauge Installation		
-1	67210-002		QUADRANT ASSEMBLY - Control	1	
-2	67223-000		LEVER ASSEMBLY - Throttle	1	
-3	66979-000		* * KNOB - Throttle lever (571-129)	1	
-4	67213-000		* LEVER - Propeller control	1	
-5	67214-000		* LEVER - Mixture control	1	
-6	418-457	B	* SCREW - Cap (MS35291-42)	1	
	400-749	C	* BOLT - (AN25-52)	1	
	400-171	D	* BOLT - (AN5-30)	1	
-7	24047-000		* KNOB - PROPELLER CONTROL (571-043)	1	
-8	24048-000		* KNOB - Mixture control (571-044)	1	
-9	67215-000	B	* BRACKET ASSEMBLY - Quadrant, left	1	
	67215-003	C,D	* BRACKET ASSEMBLY - Quadrant, left	1	
	67216-000		* BRACKET ASSEMBLY - Quadrant, right	1	
-10	67218-000		* PLATE - Quadrant control, friction	2	
-11	67221-000		* PIN - Quadrant friction plate	1	
-11a	406-369		* NUT - (Tinnerman A1037-01203)	2	
-12	68699-006		* SPACER - Quadrant control (.432 thick)	2	
	68699-010		* SPACER - Quadrant control (.400 thick)	2	
-13	62714-004		* BEARING - Quadrant control (3/8 O.D.)	1	
	63900-121		* BEARING - Quadrant control (7/16 O.D.)	1	
-14	24358-000		* HANDLE ASSEMBLY - Quadrant adjusting (2.75 L)	1	
-14a	66773-000		* HANDLE - Quadrant adjusting (2.72 L)	1	
-14b	63039-004		* HANDLE - Quadrant adjusting (2.94 L)	1	
-15	24357-000	B	* NUT - Quadrant adjusting	1	
-16	408-815		* WASHER - (3502-18-04)	2	
-17	690-619		* WASHER - (NAS1149F0532P)	AR	
-18	67218-000		* PLATE - Quadrant control, friction	2	
	62833-050		* WASHER - Quadrant control, friction	2	
-19	67218-000		* PLATE - Quadrant control, friction (.031 thick)	2	
	67218-002		* PLATE - Quadrant control, friction (.062 thick)	2	
-19a	66774-000	C,D	* CAM - Quadrant adjusting	1	
-19b	62833-046	C,D	* WASHER - (.032 thick)	1	
-19c	404-394	C,D	* NUT - (AN320-5)	1	
	424-051	C,D	* COTTER PIN - (MS24665-132)	1	
-20	455-344		CONTROL ASSEMBLY - Governor	1	
-21	67790-000	A	SPINNER SHELL - Propeller	1	
-22	67791-000	A	BULKHEAD ASSEMBLY - Spinner, aft	1	
-23	67793-000	A	BULKHEAD ASSEMBLY - Spinner, forward	1	
-24	67794-000	A	CUFF - Spinner	2	
-25	99499-000	A	PLATE - Spinner	1	
-26	401-301	A	BOLT - (AN4H3A)	4	
	690-611	A	WASHER - (NAS1149F0463P)	8	
			A - If existing spinner is constructed of fiberglass, order Spinner Replacement Kit 760-452.		
			B - Used if a 2.75 L quadrant adjusting handle assembly (Part Number 24358-000) is installed.		
			C - Used if a 2.72 L quadrant adjusting handle (Part Number 66773-000) is installed.		
			D - Used if a 2.94 L quadrant adjusting handle (Part Number 63039-004) is installed.		

When ordering, always specify Part Number, Description, and Serial Number of Aircraft

PIPER PARTS CATALOG

Figure and Index Number	Part Number	Code	NOMENCLATURE	No. Req.	SERIAL NUMBERS AFFECTED
67A-27	67232-006		COVER ASSEMBLY - Engine controls, brown	1	28-11040 to 28-11300 incl.
	67232-007		COVER ASSEMBLY - Engine controls, blue	1	28-11040 to 28-11393 incl.
	67232-008		COVER ASSEMBLY - Engine controls, red	1	
	67232-009		COVER ASSEMBLY - Engine controls, tan	1	
	67232-017		COVER ASSEMBLY - Engine controls, white	1	28-11301 to 28-7210033 incl.
	67232-018		COVER ASSEMBLY - Engine controls, black	1	28-11301 to 28-7210033 incl.
	67232-020		COVER ASSEMBLY - Engine controls, green	1	28-11301 to 28-7210033 incl.
	67232-024		COVER ASSEMBLY - Engine controls, blue/green	1	28-7110001 to 28-7210033 incl.
-28	24123-000		TERMINAL - Clevis tie rod	1	28-11040 to 2-11050 inclusive
-29	31747-000		JOINT ASSEMBLY - Ball	1	
-30	63915-020		DISC - Firewall seal	2	
-31	86092-082		PIN - Clevis tie rod	1	
-32	66634-002	B	GOVERNOR - Hartzell (F-4-3A)	1	28-11040 to 2-11050 inclusive
	66634-010	C	GOVERNOR - Hartzell (F-4-13)	1	
-33	550-938	A	PROPELLER - (Hartzell HC-C2YK-1BF/F8468A-4)	1	
-34	69246-000		PLACARD - Landing check list (wood grain)	1	28-11040 to 28-11300 incl.
	66993-000		PLACARD - Landing check list (dull black)	1	28-11301 to 28-7110042 incl.
	99807-000		PLACARD - Landing check list (dull black)	1	28-7210001 to 28-7210033 incl.
-35	488-327		TERMINAL - (AN665-21R)	1	
-36	69245-000		PLACARD - Take-off check list (wood grain)	1	28-11040 to 28-11300 incl.
	66994-000		PLACARD - Take-off check list (dull black)	1	28-11301 to 28-7110042 incl.
	99808-000		PLACARD - Take-off check list (dull black)	1	28-7210001 to 28-7210033 incl.
-37	407-043		WASHER - (MS35338-43)	1	
-38	404-224		NUT - (AN315-3R)	2	
-39	418-420		SCREW - Cap (1/4-20NC-3 x 1/2)	1	
	407-044		WASHER - (MS35338-44)	1	
-40	751-118		GAUGE - Manifold pressure	1	
-41	460-685		CONNECTOR - (W/H 200 x 4)	1	
-42	63913-069		HOSE - Manifold pressure gauge	1	
-43	65438-000		TUBE ASSEMBLY - Manifold pressure gauge	1	
-44	67700-041		TUBE ASSEMBLY - Manifold pressure gauge	1	
-45	454-983		CLAMP - (SAE 8)	2	
-46	68770-006		GROMMET - Firewall seal	2	
-47	68771-008		GASKET - Firewall seal	1	
-48	524-145		PIN - (MS20392-2C11)	1	
	690-609		WASHER - (NAS1149F0332P)	1	
	424-051		COTTER PIN - (MS24665-132)	1	
-49	69546-000		BRACKET ASSEMBLY - Control cable	1	
-50	18219-002		CLAMP - Control cable bracket	1	
-51	417-694		SCREW - (AN526C1032R8)	28	
	494-227		WASHER - Fiber	28	

A - See Figure 67B for component parts.
 B - Used if Lycoming serial number on engine does not include Suffix "A".
 C - Used if Lycoming serial number on engine includes Suffix "A".

When ordering, always specify Part Number, Description, and Serial Number of Aircraft

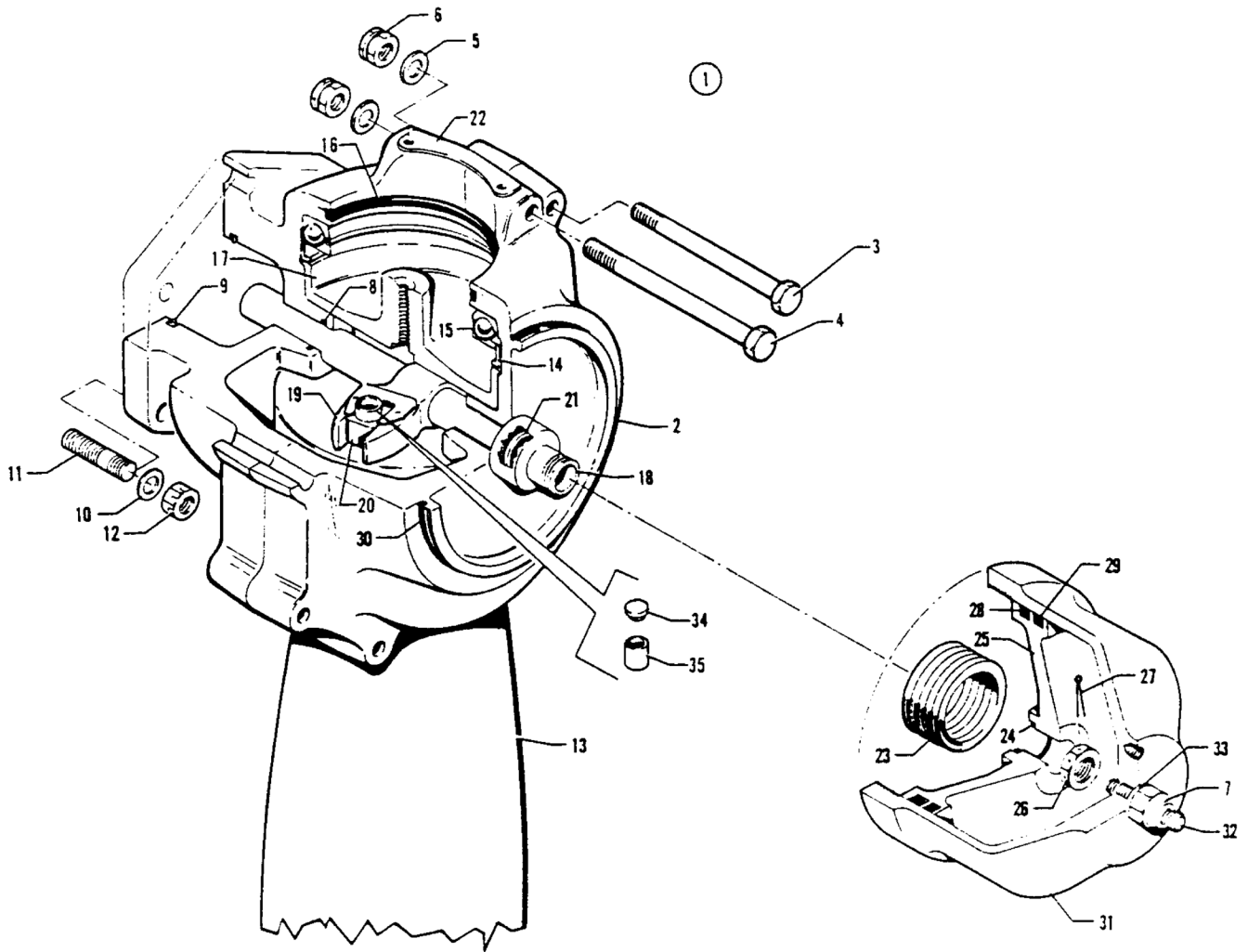


Figure 67B. Propeller Assembly (Hartzell)

THIS PAGE INTENTIONALLY LEFT BLANK

PIPER PARTS CATALOG

Figure and Index Number	Part Number	Code	NOMENCLATURE	No. Req.	SERIAL NUMBERS AFFECTED	
67B-1	450-977	A,E	PROPELLER ASSEMBLY - Hartzell (HC-C2YK-1/8468A-4)	1		
	550-938	A	PROPELLER ASSEMBLY - Hartzell (HC-C2YK-1BF/F8468A-4)	1		
	550-938	B,F	PROPELLER ASSEMBLY - Hartzell (HC-C2YK-1B/7666A-0)	1		
	550-938	B	PROPELLER ASSEMBLY - Hartzell (HC-C2YK-1BF/F7666A-0)	1		
	550-938	C,G	PROPELLER ASSEMBLY - Hartzell (HC-C2YK-1B/7666A-2)	1		
	550-938	C	PROPELLER ASSEMBLY - Hartzell (HC-C2YK-1BF/F7666A-2)	1		
	-2	752-020	H,J,K	* HUB ASSEMBLY - Propeller (D-2201-3)	1	
		755-222	L,M,N	* HUB ASSEMBLY - Propeller (D-2201-17)	1	
	-3	753-461		* BOLT - Hex head (A-2431)	6	
	-4	758-111		* BOLT - Hex head (A-2432)	4	
	-5	690-629		* WASHER - (NAS1147F0663P)	10	
	-6	752-511		* NUT - Elastic (A-2043)	10	
	-7	752-534		* NUT - (52NTF-064)	1	
	-8	755-932		* O-RING - Rod (PRP-902-13)	1	
	-9	755-800		* O-RING - Rod (PRP-906-6)	1	
	-10	156-626		* WASHER - (A-1381)	6	
	-11	757-583		* STUD - Flange (A-2067)	6	
	-12	752-530		* NUT - Castle (A-2069)	6	
-13	758-147	H	* BLADE - Propeller (8468A-4)	2		
	758-221	L	* BLADE - Propeller (F8468A-4)	2		
	758-156	J	* BLADE - Propeller (7666A-0)	2		
	758-222	M	* BLADE - Propeller (F666A-0)	2		
	758-157	K	* BLADE - Propeller (7666A-2)	2		
	758-223	N	* BLADE - Propeller (F7666A-3)	2		
-14	755-968		* RING - Bearing guide (A-2204)	2		
-15	753-463		* BEARING - Split (A-2202)	2		
-16	755-934		* O-RING - Blade (PRP-902-42)	2		
-17	757-249		* PRELOAD UNIT - (B-2256)	2		
-18	757-336	A	* ROD - Piston (A-2418)	1		
	755-993	D	* ROD - Piston (A-2418-2)	1		

A - Used on PA-28-235 airplanes only.
 B - Used on PA-28R-180 airplanes only.
 C - Used on PA-28R-200 airplanes only.
 D - Used on PA-28R-180 and PA-28R-200 airplanes only.
 E - Propeller Assembly not available. Order Part Number 550-938.
 F - Propeller Assembly not available. Order Part Number 550-934.
 G - Propeller Assembly not available. Order Part Number 550-935.
 H - Used with Hartzell Propeller Assembly (HC-C2YK-1/8468A-4).
 J - Used with Hartzell Propeller Assembly (HC-C2YK-1B/7666A-0).
 K - Used with Hartzell Propeller Assembly (HC-C2YK-1B/7666A-2).
 L - Used with Hartzell Propeller Assembly (HC-C2YK-1BF/F8468A-4).
 M - Used with Hartzell Propeller Assembly (HC-C2YK-1BF/F7666A-0).
 N - Used with Hartzell Propeller Assembly (HC-C2YK-1BF/F7666A-2).

When ordering, always specify Part Number, Description, and Serial Number of Aircraft

PIPER PARTS CATALOG

Figure and Index Number	Part Number	Code	NOMENCLATURE	No. Req.	SERIAL NUMBERS AFFECTED
67B-19	754-814	H	FORK UNIT - Pitch change (B-2410)	1	
	751-820	B,C	FORK UNIT - Pitch change (B-2457-2)	1	
	754-826	E,F,G	FORK UNIT - Pitch change (B-2457-3)	1	
-20	753-464	B,C,H	BLOCK - Pitch change (A-2217-1)	2	
	753-465	B,C,H	BLOCK - Pitch change (A-2217-2)	2	
	758-204	E,F,G	BLOCK - Pitch change (A-2217-3)	2	
-21	755-972		SPLIT - Retainer (A-2430)	1	
-22	756-607		WEIGHTS - Balance (A-2424)	AR	
-23	757-555	A	SPRING - (A-2213)	1	
	757-556	D	SPRING - (A-2213-1)	1	
-24	755-995		O-RING - Piston seal (PRP-914-6)	1	
-25	757-302		PISTON - (B-2419)	1	
-26	752-513		NUT - Rod (A-2211)	1	
-27	424-061		COTTER PIN - (AN380-3-5)	1	
-28	755-994		O-RING - Piston (PRP-902-51)	1	
-29	757-557		SEAL - Felt (B-1843)	1	
-30	755-935		O-RING - Cylinder (PRP-909-25)	1	
-31	757-827	A	CYLINDER - (B-2428)	1	
	757-828	D	CYLINDER - (B-2428-1)	1	
-32	757-558		SCREW - Low stop (A-2421)	1	
-33	757-559		SEAL - Parker (7000-3/8)	1	
-34	758-282	E,F,G	BUTTON - Propeller (A-3212-1)	1	
-35	758-280	E,F,G	BUSHING - Propeller (A-2413-2)	1	
			A - Used on PA-28-235 airplanes only.		
			B - Used with Hartzell Propeller Assembly (HC-C2YK-1B/7666A-0).		
			C - Used with Hartzell Propeller Assembly (HC-C2YK-1B/7668A-2).		
			D - Used on PA-28R-180 and PA-28R-200 airplanes only.		
			E - Used with Hartzell Propeller Assembly (HC-C2YK-1BF/F8468A-4).		
			F - Used with Hartzell Propeller Assembly (HC-C2YK-1BF/F7666A-0).		
			G - Used with Hartzell Propeller Assembly (HC-C2YK-1BF/F7666A-2).		
			H - Used with Hartzell Propeller Assembly (HC-C2YK-1/8468A-4).		

When ordering, always specify Part Number, Description, and Serial Number of Aircraft

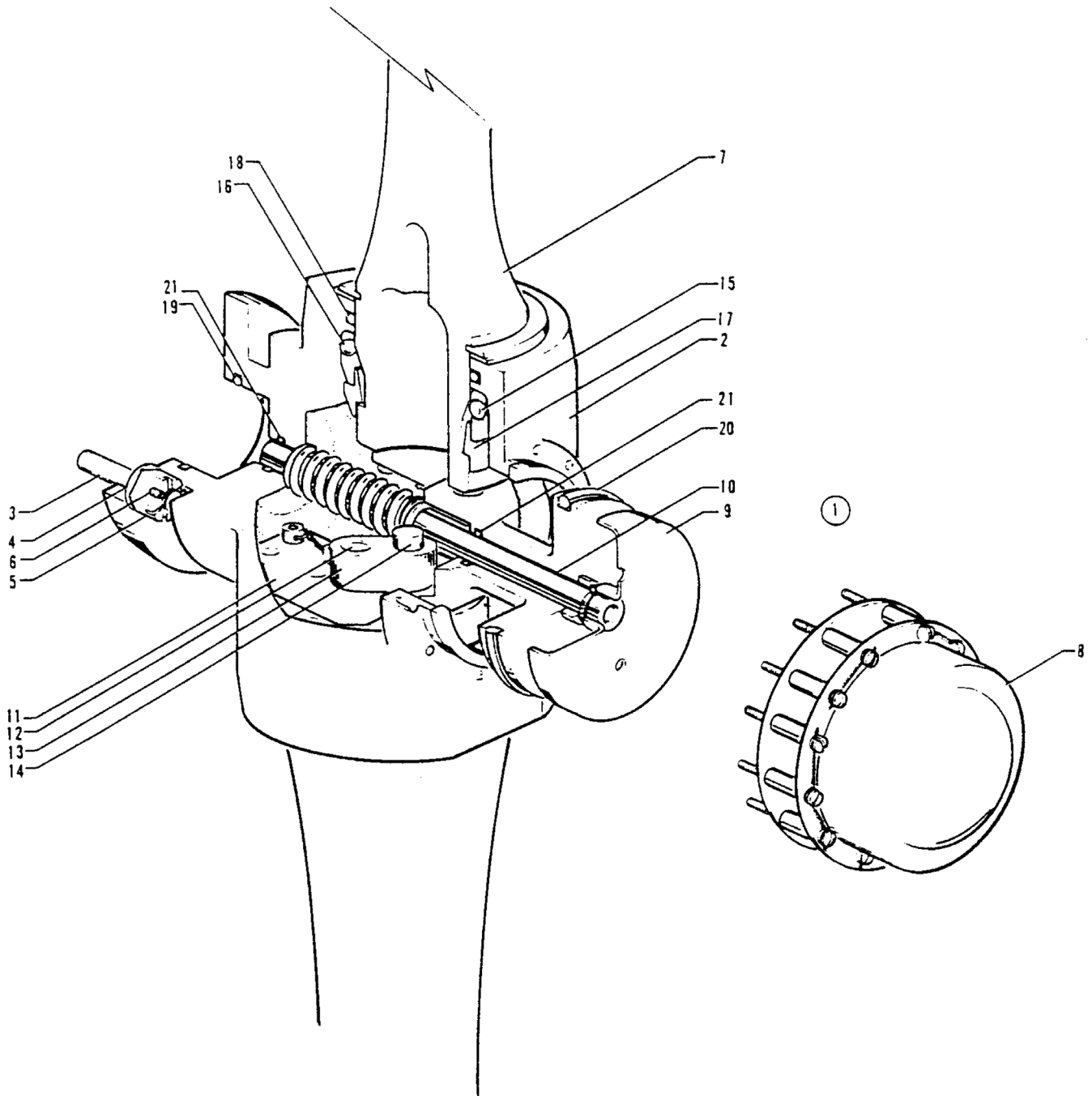


Figure 67C. Propeller Assembly (McCauley)

THIS PAGE INTENTIONALLY LEFT BLANK

PIPER PARTS CATALOG

Figure and Index Number	Part Number	Code	NOMENCLATURE	No. Req.	SERIAL NUMBERS AFFECTED
67C-1	550-974		PROPELLER ASSEMBLY - McCauley (B2D34C213/90DHA-16)	1	
-2	755-278		* HUB ASSEMBLY - Propeller (C4326/C213)	1	
-3	762-319		** STUD - Propeller mounting (B-3121)	6	
-4	756-689		** WASHER - (A1638-10)	6	
-5	752-572		** NUT - (A1639-9)	6	
-6	762-564		** ROLL PIN - (A-3150-1)	6	
-7	758-396		BLADE - Propeller (90DHA-16)	2	
-8	763-217	A	CYLINDER (C-4545)	1	
-9	763-413		PISTON - Blade actuating (C-3418)	1	
-10	761-984		TUBE - Piston rod (B-2345)	1	
-11	763-005		ACTUATING PIN AND BASE ASSEMBLY (B-3905)	2	
-12	763-414		* PIN - Dowel (A-2973-8)	1	
-13	761-206		LINK - Blade actuating (A-3902)	2	
-14	763-412		PIN - Piston rod (B-3414)	2	
-15	762-318		SEPARATOR - Ball (B-4014)	80	
-16	758-395		BALL - Bearing (A-1634-6)	80	
-17	762-563		RETAINER - Split (C3903) (matched pairs)	2	
-18	752-591		O-Ring - (A-1633-37)	2	
-19	752-592		O-Ring - (A-1633-11)	1	
-20	752-593		O-Ring - (A-1633-12)	1	
-21	752-594		O-Ring - (A-1633-9)	2	
			A - Reference Piper Service Bulletin 209 on replacement of propeller bolts using Kit 754-462.		

When ordering, always specify Part Number, Description, and Serial Number of Aircraft

THIS PAGE INTENTIONALLY LEFT BLANK

SECTION 7

ELECTRICAL SYSTEM GROUP

THIS PAGE INTENTIONALLY LEFT BLANK

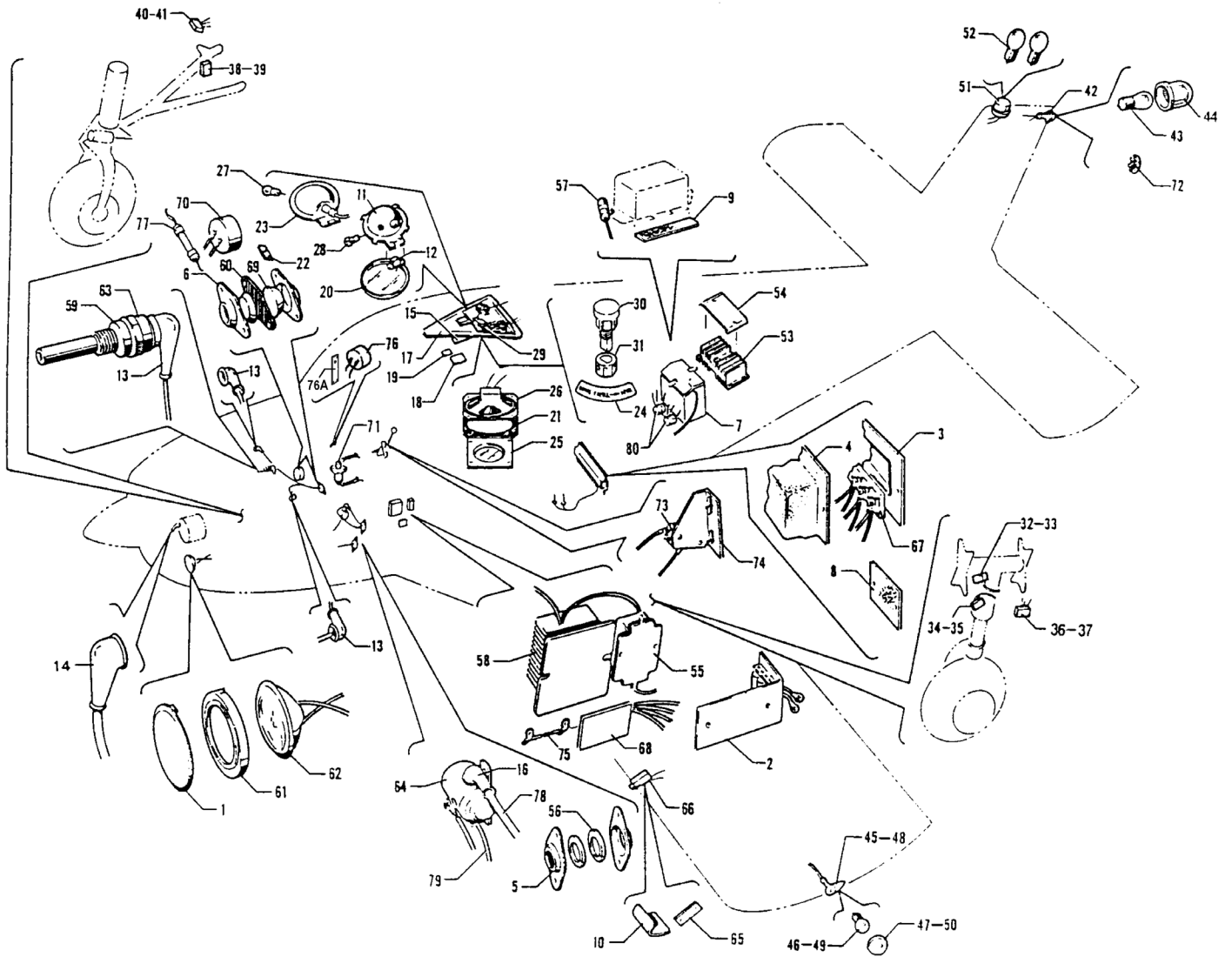


Figure 68. Electrical System Installation

THIS PAGE INTENTIONALLY LEFT BLANK

PIPER PARTS CATALOG

Figure and Index Number	Part Number	Code	NOMENCLATURE	No. Req.	SERIAL NUMBERS AFFECTED
68-	63851	A	DRAWING - Electrical System Installation		28-1 to 28-1410 inclusive
	62166	A	DRAWING - Electrical System Installation		28-1411 to 28-1760 inclusive
	65131	B	DRAWING - Electrical System Installation		28-10003 to 28-10486 incl.
	62270	C	DRAWING - Electrical System Installation		28-20002 to 28-24999 incl.
	66700	C	DRAWING - Electrical System Installation		28-25000 to 28-7425454 incl.
	79325	C	DRAWING - Electrical System Installation		28-7525001 and up
	63083	A	DRAWING - Electrical System Installation		28-1761 to 28-4377 inclusive
	65450	B	DRAWING - Electrical System Installation		28-10487 to 28-10719 incl.
	65582	B	DRAWING - Electrical System Installation		28-10720 to 28-11039 incl.
	67450	G	DRAWING - Electrical System Installation		
	76457	F	DRAWING - Electrical System Installation		28R-7535001 and up
	65854	E	DRAWING - Electrical System Installation		28-4378 to 28-7405290 incl.
	76454	E	DRAWING - Electrical System Installation		28-7505001 and up
	69265	B	DRAWING - Electrical System Installation		28-11040 to 28-7410120 incl.
	76460	B	DRAWING - Electrical System Installation		28-7510001 and up
-1	12761-002		COVER ASSEMBLY - Landing light opening	1	
-2	65359 000	J	FILTER ASSEMBLY - Voltage regulator	1	
-3	67404-002	D,E	COVER - Terminal strip	1	28-4378 and up
	67404-002	B	COVER - Terminal strip	1	28-11040 and up
	67404-002	C	COVER - Terminal strip	1	28-25000 and up
-4	67404-003	D,E	COVER - Terminal strip	1	28-4378 and up
	67404-003	B	COVER - Terminal strip	1	28-11040 and up
	67404-003	C	COVER - Terminal strip	1	28-25000 and up
-5	18321-000		PLATE - Firewall seal	4	
-6	66789-000	D,E	PLATE - Firewall seal	2	28-4378 and up
	66789-000	B	PLATE - Firewall seal	2	28-11040 and up
	66789-000	C	PLATE - Firewall seal	2	28-25000 and up
-7	-----	H	BATTERY INSTALLATION	1	
-8	63858-000	A	PLATE - Insulating	1	28-1 to 28-4377 inclusive
	63858-000	C	PLATE - Insulating	1	28-20002 to 28-24999 incl.
	63858-000	B	PLATE - Insulating	1	28-10003 to 28-11039 incl.
-9	63859-000	A	PLATE - Insulating, voltage regulator	1	28-1 to 28-507 inclusive
-10	19807-000		PLATE - Lift detector mounting	1	
-11	66632-000		REFLECTOR ASSEMBLY - Dome light	1	
-12	487-777		* SWITCH - (5518)	1	
-13	23969-002		NIPPLE - Electrical	4	
-14	23969-003		NIPPLE - Electrical	5	
<p>A - Used on PA-28-150, PA-28-160 and PA-28-180 airplanes only. B - Used on PA-28-235 airplanes only. C - Used on PA-28-140 airplanes only. D - Used on PA-28R-180 and PA-28R-200 airplanes only. E - Used on PA-28-180 airplanes only. F - Used on PA-28R-200 airplanes only. G - Used on PA-28R-180 with serial numbers 28R-30005 to 28R-7130019 inclusive, and PA-28R-200 with serial numbers 28R-30482, 28R-35001 to 28R-7435331 inclusive. H - See Figure 73B for component parts. J - Used on PA-28-140 with serial numbers 28-20002 to 28-24999 inclusive, PA-28-150, PA-28-160 and PA-28-180 with serial numbers 28-1441 to 28-3377 inclusive, and PA-28-235 with serial numbers 28-10153 to 28-10719 inclusive.</p>					

When ordering, always specify Part Number, Description, and Serial Number of Aircraft

PIPER PARTS CATALOG

Figure and Index Number	Part Number	Code	NOMENCLATURE	No. Req.	SERIAL NUMBERS AFFECTED
68 -15	99121-000	K	PLACARD ASSEMBLY - Alternate static correlation	1	
-16	66580-002		NIPPLE - Terminal (476-695)	1	
-17	63428-002	C,E	PANEL ASSEMBLY - Cabin light, brown	1	28-20002 to 28-21045 incl.
	63428-002	A,E	PANEL ASSEMBLY - Cabin light, brown	1	28-1 to 28-1760 inclusive
	63428-003	C,F	PANEL ASSEMBLY - Cabin light, brown	1	28-20002 to 28-21045 incl.
	63428-003	A,F	PANEL ASSEMBLY - Cabin light, brown	1	28-1 to 28-1760 inclusive
	63428-004	C,F	PANEL ASSEMBLY - Cabin light, gray	1	28-20002 to 28-21045 incl.
	63428-004	A,F	PANEL ASSEMBLY - Cabin light, gray	1	28-671 to 28-1760 inclusive
	63428-005	C,E	PANEL ASSEMBLY - Cabin light, gray	1	28-20002 to 28-21045 incl.
	63428-005	A,E	PANEL ASSEMBLY - Cabin light, gray	1	28-671 to 28-1760 inclusive
	63428-006	F,G	PANEL ASSEMBLY - Cabin light, sand	1	
	63428-007	E,G	PANEL ASSEMBLY - Cabin light, sand	1	
	63428-008	C,E	PANEL ASSEMBLY - Cabin light, sand	1	28-25000 to 28-7125194 incl.
	63428-011	C,J	PANEL ASSEMBLY - Cabin light, sand	1	28-7125001 to 28-7125194 incl.
	63428-009	C,F	PANEL ASSEMBLY - Cabin light, sand	1	28-25000 to 28-26400 incl.
	63428-010	C,F	PANEL ASSEMBLY - Cabin light, sand	1	28-26401 to 28-7125194 incl.
	65549-003	B,F	PANEL ASSEMBLY - Cabin light, sand	1	
	66926-004	D,E	PANEL ASSEMBLY - Cabin light, white	1	
	99222-002	E,H	PANEL ASSEMBLY - Cabin light, white	1	
	66926-003	D,F	PANEL ASSEMBLY - Cabin light, white	1	
			A - Used on PA-28-150, PA-28-160 and PA-28-180 airplanes only.		
			B - Used on PA-28-180 with serial numbers 28-4378 to 28-5600 inclusive, PA-28R-180 with serial numbers 28R-30005 to 28R-31250 inclusive, PA-28R-200 with serial numbers 28R-30482, 28R-35001 to 28R-35600 inclusive, and PA-28-235 with serial numbers 28-10720 to 28-11300 inclusive.		
			C - Used on PA-28-140 airplanes only.		
			D - Used on PA-28-180 with serial numbers 28-5601 to 28-5869 inclusive, PA-28R-180 with serial numbers 28R-31251 to 28R-31279 inclusive, PA-28R-200 with serial numbers 28R-35601 to 28R-35830 inclusive, and PA-28-235 with serial numbers 28-11301 to 28-11393 inclusive.		
			E - Without cutouts.		
			F - With cutouts.		
			G - Used on PA-28-150, PA-28-160 and PA-28-180 with serial numbers 28-1761 to 28-4377 inclusive, PA-28-235 with serial numbers 28-10003 to 28-10719 inclusive, and PA-28-140 with serial numbers 28-21046 to 28-24999 inclusive.		
			H - Used on PA-28-140 with serial numbers 28-7325001 and up, PA-28-180 with serial numbers 28-7105001 and up, PA-28R-180 with serial numbers 28R-7130001 and up, PA-28R-200 with serial numbers 28R-7135001 and up, and PA-28-235 with serial numbers 28-7110001 and up.		
			J - With cutouts but less radio speaker cutout.		
			K - Used on PA-28-140 with serial numbers 28-25000 and up, PA-28-180 with serial numbers 28-4378 and up, PA-28-235 with serial numbers 28-11040 and up, PA-28R-180 and PA-28R-200 airplanes.		

When ordering, always specify Part Number, Description, and Serial Number of Aircraft

PIPER PARTS CATALOG

Figure and Index Number	Part Number	Code	NOMENCLATURE	No. Req.	SERIAL NUMBERS AFFECTED	
68 -17	99222-003	D,H	PANEL ASSEMBLY - Cabin light, white	1		
	99222-004	D,F	PANEL ASSEMBLY - Cabin light, white	1		
	99222-009	A,H	PANEL ASSEMBLY - Cabin light, white	1		
	99222-010	A,F	PANEL ASSEMBLY - Cabin light, white	1		
	63428-014	C,E,G	PANEL ASSEMBLY - Cabin light, white	1	28-7125195 to 28-7225612 incl.	
	63428-015	C,G,H	PANEL ASSEMBLY - Cabin light, white	1	28-7125195 to 28-7225612 incl.	
	63428-016	C,F,G	PANEL ASSEMBLY - Cabin light, white	1	28-7125195 to 28-7225612 incl.	
	-18	62919-000	B	* PLACARD - Trim indicator	1	
	-19	62920-000	B	* PLACARD - Trim	1	
	-20	472-330		LENS - Dome light (12715-00)	1	
-21	21878-000	J	GASKET - Oval radio speaker	1		
	99745-000	K	GASKET - Circular radio speaker	1		
<p>A - Used on PA-28-140 with serial numbers 28-7425001 and up, PA-28-180 with serial numbers 28-7405001 and up, PA-28R-200 with serial numbers 28R-7435001 and up, and PA-28-235 with serial numbers 28-7410001 and up.</p> <p>B - Used on PA-28-150, PA-28-160 and PA-28-180 with serial numbers 28-1 to 28-4377 inclusive, PA-28-235 with serial numbers 28-10003 to 28-10719 inclusive, and PA-28-140 with serial numbers 28-20002 and up.</p> <p>C - Used on PA-28-140 airplanes only.</p> <p>D - Used on PA-28-140 with serial numbers 28-7325001 to 28-7325684 inclusive, PA-28-180 with serial numbers 28-7105001 to 28-7305611 inclusive, PA-28R-180 with serial numbers 28R-7130001 to 28R-7130019 inclusive, PA-28R-200 with serial numbers 28R-7135001 to 28R-7335455 inclusive, and PA-28-235 with serial numbers 28-7110001 to 28-7310187 inclusive.</p> <p>E - Without cutouts.</p> <p>F - With cutouts.</p> <p>G - Refer to Figure 32B if air conditioning is installed.</p> <p>H - With cutouts but less radio speaker cutout.</p> <p>J - Used on PA-28-140 with serial numbers 28-20002 to 28-26400 inclusive, PA-28-150, PA-28-160 and PA-28-180 with serial numbers 28-1 to 28-5600 inclusive, PA-28R-180 with serial numbers 28R-30005 to 28R-30481 inclusive, 28R-30483 to 28R-31250 inclusive, PA-28R-200 with serial numbers 28R-30482, 28R-35001 to 28R-35600 inclusive, and PA-28-235 with serial numbers 28-10003 to 28-11300 inclusive.</p> <p>K - Used on PA-28-140 with serial numbers 28-26401 and up, PA-28-180 with serial numbers 28-5601 and up, PA-28R-180 with serial numbers 28R-31251 and up, PA-28R-200 with serial numbers 28R-35601 and up, and PA-28-235 with serial numbers 28-11301 and up.</p>						

When ordering, always specify Part Number, Description, and Serial Number of Aircraft

PIPER PARTS CATALOG

Figure and Index Number	Part Number	Code	NOMENCLATURE	No. Req.	SERIAL NUMBERS AFFECTED
68 -22	63101-000	A	LENS - Cabin light	1	
-23	572-582	C	LIGHT ASSEMBLY - Panel (A300-W-14)	1	
-24	69669-020	E	PLACARD - Dome light maximum	1	
-25	63133-000	F	GRILL - Oval radio speaker	1	
	66927-000	G	GRILL - Circular radio speaker	1	
	99198-000	B	GRILL - Circular radio speaker	1	
	99744-000	D,H	GRILL - Circular radio speaker	1	
			<p>A - Used on PA-28-140 with serial numbers 28-20002 to 28-24999 inclusive, PA-28-150, PA-28-160 and PA-28-180 with serial numbers 28-1 to 28-5600 inclusive, PA-28R-180 with serial numbers 28R-30005 to 28R-30481 inclusive, 28R-30483 to 28R-31250 inclusive, PA-28R-200 with serial numbers 28R-30482, 28R-35001 to 28R-35600 inclusive, and PA- 28-235 with serial numbers 28-10003 to 28-11300 inclusive.</p> <p>B - Used on PA-28-140 with serial numbers 28-7125001 and up, PA-28-180 with serial numbers 28-7105001 and up, PA-28R-180 with serial numbers 28R-7130001 and up, PA-28R-200 with serial numbers 28R-7135001 and up, and PA-28-235 with serial numbers 28-7110001 and up.</p> <p>C - Used on PA-28-140 with serial numbers 28-25000 and up, PA-28-180 with serial numbers 28-5601 and up, PA-28R-180 with serial numbers 28R-31251 and up, PA-28R-200 with serial numbers 28R-35601 and up, and PA-28-235 with serial numbers 28-11301 and up.</p> <p>D - Used if air conditioning is installed.</p> <p>E - Used on PA-28-140 with serial numbers 28-7425001 and up, PA-28-180 with serial numbers 28-7405001 and up, and PA-28-235 with serial numbers 28-741 0001 and up.</p> <p>F - Used on PA-28-140 with serial numbers 28-20002 to 28-26400 inclusive, PA-28-150, PA-28-160 and PA-28-180 with serial numbers 28-1 to 28-5600 inclusive, PA-28R-180 with serial numbers 28R-30005 to 28R-30481 inclusive, 28R-30483 to 28R-31250 inclusive, PA-28R-200 with serial numbers 28R-30482, 28R-35001 to 28R-35600 inclusive, and PA-28-235 with serial numbers 28-10003 to 28-11300 inclusive.</p> <p>G - Used on PA-28-140 with serial numbers 28-26401 to 28-26956 inclusive, PA-28-180 with serial numbers 28-5601 to 28-5869 inclusive, PA-28R-180 with serial numbers 28R-31251 to 28R-31279 inclusive, PA-28R-200 with serial numbers 28R-35601 to 28R-35830 inclusive, and PA-28-235 with serial numbers 28-11301 to 28-11393 inclusive.</p> <p>H - Used on PA-28-140 with serial numbers 28-25001, 28-7125472 and up, PA-28-180 with serial numbers 28-5653, 28-7205092 and up, and PA-28R-200 with serial numbers 28R-7235001 and up.</p>		

When ordering, always specify Part Number, Description, and Serial Number of Aircraft

PIPER PARTS CATALOG

Figure and Index Number	Part Number	Code	NOMENCLATURE	No. Req.	SERIAL NUMBERS AFFECTED
68 -26	63875-005	A	SPEAKER - Radio, oval	1	
	585-015	F	SPEAKER - Radio, circular (6FU3211)	1	
-27	472-038	D	BULB - (93)	1	
-28	472-036		BULB - (89)	1	
-29	484-375	B	RELAY - Microphone (11F-2300G-SIL)	1	
-30	95228-000	C	DIMMER ASSEMBLY - Potentiometer	1	
-31	571-136	C	KNOB	1	
-32	67411-002	E	SWITCH - Down limit, left	1	
	67411-004	E	SWITCH - Down limit, right	1	
-33	451-823	E	* ACTUATOR - (JE-73)	1	
-34	67411-008	E	SWITCH - Squat, left	1	
-35	451-823	E	* ACTUATOR - (JE-73)	1	
-36	67411-005	E	SWITCH - Up limit, left	1	
	67411-007	E	SWITCH - Up limit, right	1	
-37	451-823	E	* ACTUATOR - (JE-73)	1	
<p>A - Used on PA-28-140 with serial numbers 28-20002 to 28-26400 inclusive, PA-28-150, PA-28-160 and PA-28-180 with serial numbers 28-1 to 28-5600 inclusive, PA-28R-180 with serial numbers 28R-30005 to 28R-30481 inclusive, 28R-30483 to 28R-31250 inclusive, PA-28R-200 with serial numbers 28R-30482, 28R-35001 to 28R-35600 inclusive, and PA-28-235 with serial numbers 28-10003 to 28-11300 inclusive.</p> <p>B - Used on PA-28-140 with serial numbers 28-7125001 and up, PA-28-180 with serial numbers 28-7105001 and up, PA-28R-180 with serial numbers 28R-7130001 and up, PA-28R-200 with serial numbers 28R-7135001 and up, and PA-28-235 with serial numbers 28-7110001 and up.</p> <p>C - Used on PA-28-140 with serial numbers 28-7425001 and up, PA-28-180 with serial numbers 28-7405001 and up, PA-28-235 with serial numbers 28-7410001 and up, and PA-28R-200 with serial numbers 28R-7435001 and up.</p> <p>D - Used on PA-28-140 with serial numbers 28-20002 to 28-24999 inclusive, PA-28-150, PA-28-160 and PA-28-180 with serial numbers 28-1 to 28-5600 inclusive, PA-28R-180 with serial numbers 28R-30005 to 28R-30481 inclusive, 28R-30483 to 28R-31250 inclusive, PA-28R-200 with serial numbers 28R-30482, 28R-35001 to 28R-35600 inclusive, and PA-28-235 with serial numbers 28-10003 to 28-11300 inclusive.</p> <p>E - Used on PA-28R-180 and PA-28R-200 airplanes only.</p> <p>F - Used on PA-28-140 with serial numbers 28-26401 and up, PA-28-180 with serial numbers 28-5601 and up, PA-28R-180 with serial numbers 28R-31251 and up, PA-28R-200 with serial numbers 28R-35601 and up, and PA-28-235 with serial numbers 28-11301 and up.</p>					

When ordering, always specify Part Number, Description, and Serial Number of Aircraft

PIPER PARTS CATALOG

Figure and Index Number	Part Number	Code	NOMENCLATURE	No. Req.	SERIAL NUMBERS AFFECTED
68 -38	67411-003	A	SWITCH - Down limit	1	
-39	451-823	A	* ACTUATOR - (JE-73)	1	
-40	67411-006	A	SWITCH - Up limit	1	
-41	451-823	A	* ACTUATOR - (JE-73)	1	
-42	472-736		LIGHT - White (A2064-1073)	1	
-43	753-431		* BULB - (1073)	1	
-44	751-203		* LENS - White	1	
-45	472-665	B	LIGHT - Red (A1285)	1	
-46	751-381	B	* BULB - (1512)	1	
-47	751-202	B	* LENS - Red	1	
-48	472-666	B	LIGHT - Green (A1285)	1	
-49	751-381	B	* BULB - (1512)	1	
-50	751-201	B	* LENS - (Green)	1	
-51	462-564	B	BEACON - Rotating	1	
-52	752-307	D	* BULB - Rotating beacon (Grimes A7079-12)	1	
-53	79412-008	H	DIODE AND COOLER ASSEMBLY	1	
	79412-009	J	DIODE AND COOLER ASSEMBLY	1	
-53a	467-068		INSULATOR - Cooler	4	
-54	79414-000	H,J	COVER - Diode cover	1	
-55	450-397	K	RELAY - Overvoltage	1	28-3644 and up
	450-397	A,L	RELAY - Overvoltage	1	28-10763 and up
	450-397	M	RELAY - Overvoltage	1	28-25000 and up
-56	63915-005		DISC - Firewall seal	2	
-57	454-083		CAPACITOR (AR-1)	1	
-58	756-055	F,X	REGULATOR - Voltage (87-87102-21)	1	
	68804-003	G,X	REGULATOR ASSY	1	
<p>A - Used on PA-28R-180 and PA-28R-200 airplanes only. B - See Figure 73A if strobe light is installed. C - Used on Whelan Rotating Beacons WRM-12 and WRML-12. D - Used on Grimes Rotating Beacon D708A-3-12. E - Used on Grimes Rotating Beacon 40-0101-7-12. F - Used on PA-28-150, PA-28-160 and PA-28-180 with serial numbers 28-508 to 28-3377 inclusive, PA-28-235 with serial numbers 28-10003 to 28-10719 inclusive, and PA-28-140 with serial numbers 28-20002 to 28-24999 inclusive. G - Used on PA-28-150, PA-28-160 and PA-28-180 with serial numbers 28-3378 and up, PA-28-235 with serial numbers 28-10720 and up, PA-28-140 with serial numbers 28-25000 and up, PA-28R-180 and PA-28R-200 airplanes. H - Used on PA-28-140 with serial numbers 28-7520001 and up. J - Used on PA-28-180 with serial numbers 28-7505001 and up, PA-28-235 with serial numbers 28-7510001 and up, and PA-28R-200 with serial numbers 28R-7535001 and up. K - Used on PA-28-150, PA-28-160 and PA-28-180 airplanes only. L - Used on PA-28-235 airplanes only. M - Used on PA-28-140 airplanes only. X - Kit 764-928 replaces voltage regulator assembly (B-00331-2).</p>					

When ordering, always specify Part Number, Description, and Serial Number of Aircraft

PIPER PARTS CATALOG

Figure and Index Number	Part Number	Code	NOMENCLATURE	No. Req.	SERIAL NUMBERS AFFECTED
68 -59	462-012		GASKET - (AH-1522)	1	
-60	68771-003	D,E	GASKET - Firewall seal	1	28-4378 and up
	68771-003	B	GASKET - Firewall seal	1	28-11040 and up
	68771-003	C	GASKET - Firewall seal	1	28-25000 and up
-61	65372-000		RETAINER ASSEMBLY - Landing light	1	28-1761 and up
-62	472-661	J	LIGHT - Landing 100W, 12V	1	
-63	462-042		GAUGE - Engine unit, oil temperature (1512926)	1	28-1 to 28-1383 inclusive
	462-046	A	GAUGE - Engine unit, oil temperature (1514976)	1	28-1384 to 1760 incl.
	462-046	C	GAUGE - Engine unit, oil temperature (1514976)	1	28-20002 to 28-20550 incl.
	550-487	A	GAUGE - Engine unit, oil temperature (362-EW)	1	28-1761 and up
	550-487	C	GAUGE - Engine unit, oil temperature (362-EW)	1	28-20551 and up
	550-487	B,D	GAUGE - Engine unit, oil temperature (362-EW)	1	
-64	99130-003	L	SOLENOID - Starter	1	
-65	450-741		DECAL - Lift detector (C52207-3)	1	
-66	450-742		DETECTOR - Lift (C52207-4)	1	
-67	488-462	A	BLOCK - Taper (53)	1	28-1 to 28-4377 incl.
	488-462	C	BLOCK - Taper (53)	1	28-20002 to 28-24999 incl.
	488-462	B	BLOCK - Taper (53)	1	28-10003 to 28-11039 incl.
	488-545	D,E	STRIP - (Terminal MS25123-1-12)	1	28-4378 and up
	488-545	B	STRIP - (Terminal MS25123-1-12)	1	28-11040 and up
	488-545	C	STRIP - (Terminal MS25123-1-12)	1	28-25000 and up
-68	38255-002	D	BLOCK ASSEMBLY - Terminal	1	
-69	68770-003	D,E	GROMMET - Firewall seal	2	28-4378 and up
	68770-003	B	GROMMET - Firewall seal	2	28-11040 and up
	68770-003	C	GROMMET - Firewall seal	2	28-25000 and up
-70	67744-000	F	HORN ASSEMBLY - Landing gear warning	1	
	565-288	H	HORN ASSEMBLY - Landing gear warning (02054-3)	1	
-71	460-594		FILTER - Fuel pump noise	1	
-72	453-639		BUTTON - Plug (HS50726)	1	
-73	487-925	D	SWITCH - Cutout (V3-1)	1	
-74	67196-000	D	BRACKET ASSEMBLY - Cutout switch	1	
-75	67487-002	D	DIODE ASSEMBLY	1	
-76	35214-000	G	HORN ASSEMBLY - Stall warning	1	
-76a	35203-002	K	BRACKET - Stall warning horn	1	
-77	38149-003	H	FLASHER ASSEMBLY - Gear warning	1	28R-7635001 and up

When ordering, always specify Part Number, Description, and Serial Number of Aircraft

PIPER PARTS CATALOG

Figure and Index Number	Part Number	Code	NOMENCLATURE	No. Req.	SERIAL NUMBERS AFFECTED
68 -78	63862-017	D	WIRE ASSEMBLY - Battery to solenoid (161.00")	1	
	63862-136	E	WIRE ASSEMBLY - Battery to solenoid (163.50")	1	
	63862-151	C	WIRE ASSEMBLY - Battery to solenoid (109.00")	1	
-79	63862-016	A	WIRE ASSEMBLY - Battery to solenoid (37.00")	1	
	63862-137	B	WIRE ASSEMBLY - Battery to solenoid	1	
-80	484-373	F	RELAY - Landing gear power (24059)	2	
-81	69325-122	G	WIRE ASSEMBLY - Ground (9.3"L)	1	
-82	63862-031	H	WIRE ASSEMBLY - Alternator to ammeter (55.0"L)	1	28-1 to 28-140 inclusive
	63862-088	J	WIRE ASSEMBLY - Alternator to ammeter (107.00"L)	1	
	63862-114	B	WIRE ASSEMBLY - Alternator to ammeter (104"L)	1	28-10003 to 28-10486 incl.
	69325-079	C	WIRE ASSEMBLY - Alternator to ammeter (120.5"L)	1	28-25000 to 28-7425454 incl.
	78140-169	K	WIRE ASSEMBLY - Alternator to ammeter (95.0"L)	1	28-7525001 and up
	63862-167	C	WIRE ASSEMBLY - Alternator to ammeter (109.0"L)	1	
	68807-106	L	WIRE ASSEMBLY - Alternator to ammeter (114.0"L)	1	
	69050-018	M	WIRE ASSEMBLY - Alternator to ammeter (104.5"L)	1	
	78140-175	N	WIRE ASSEMBLY - Alternator to ammeter (104.5"L)	1	28R-7535001 and up
	69050-136	R	WIRE ASSEMBLY - Alternator to ammeter (109.0"L)	1	
	87373-004	P	WIRE ASSEMBLY - Alternator to ammeter (229.0"L)	1	28-7505001 and up
	78140-172	B	WIRE ASSEMBLY - Alternator to ammeter (109.0"L)	1	28-7510001 and up
			A - Used on PA-28-140, PA-28-150, PA-28-160, PA-28-180, PA-28R-180 and PA-28R-200 airplanes only.		
			B - Used on PA-28-235 airplanes only.		
			C - Used on PA-28-140 airplanes only.		
			D - Used on PA-28-150, PA-28-160 and PA-28-180 with serial numbers 28-1 to 28-4377 inclusive.		
			E - Used on PA-28-180 with serial numbers 28-4378 and up, PA-28R-180 with serial numbers 28R-30005 to 28R-30481 inclusive, 28R-10003 and up, and PA-28R-200 with serial numbers 28R-30482, 28R-35001 and up.		
			F - Used on PA-28R-180 and PA-28R-200 only.		
			G - Used if a Chrysler alternator is installed.		
			H - Used on PA-28-150, PA-28-160, and PA-28-180 airplanes only.		
			J - Used on PA-28-150, PA-28-160, and PA-28-180 with serial numbers 28-1411 to 28-1760 inclusive, and PA-28-140 with serial numbers 28-20002 to 28-24999 inclusive.		
			K - Used on PA-28-150, PA-28-160, and PA-28-180 with serial numbers 28-1761 to 28-4377 inclusive, and PA-28-235 with serial numbers 28-10487 to 28-10719 inclusive.		
			L - Used on PA-28-150, PA-28-160, and PA-28-180 with serial numbers 28-1761 to 28-4377 inclusive, and PA-28-235 with serial numbers 28-10720 to 28-11039 inclusive.		
			M - Used on PA-28R-180 with serial numbers 28R-30005 to 28R-7130019 inclusive, and PA-28R-200 with serial numbers 28R-30482, 28R-35001 to 28R-7435331 inclusive.		
			N - Used on PA-28R-200 airplanes only.		
			P - Used on PA-28-180 airplanes only.		
			R - Used on PA-28-180 with serial numbers 28-4378 to 28-7405290 inclusive, and PA-28-235 with serial numbers 28-11040 to 28-7410120 inclusive.		

When ordering, always specify Part Number, Description, and Serial Number of Aircraft

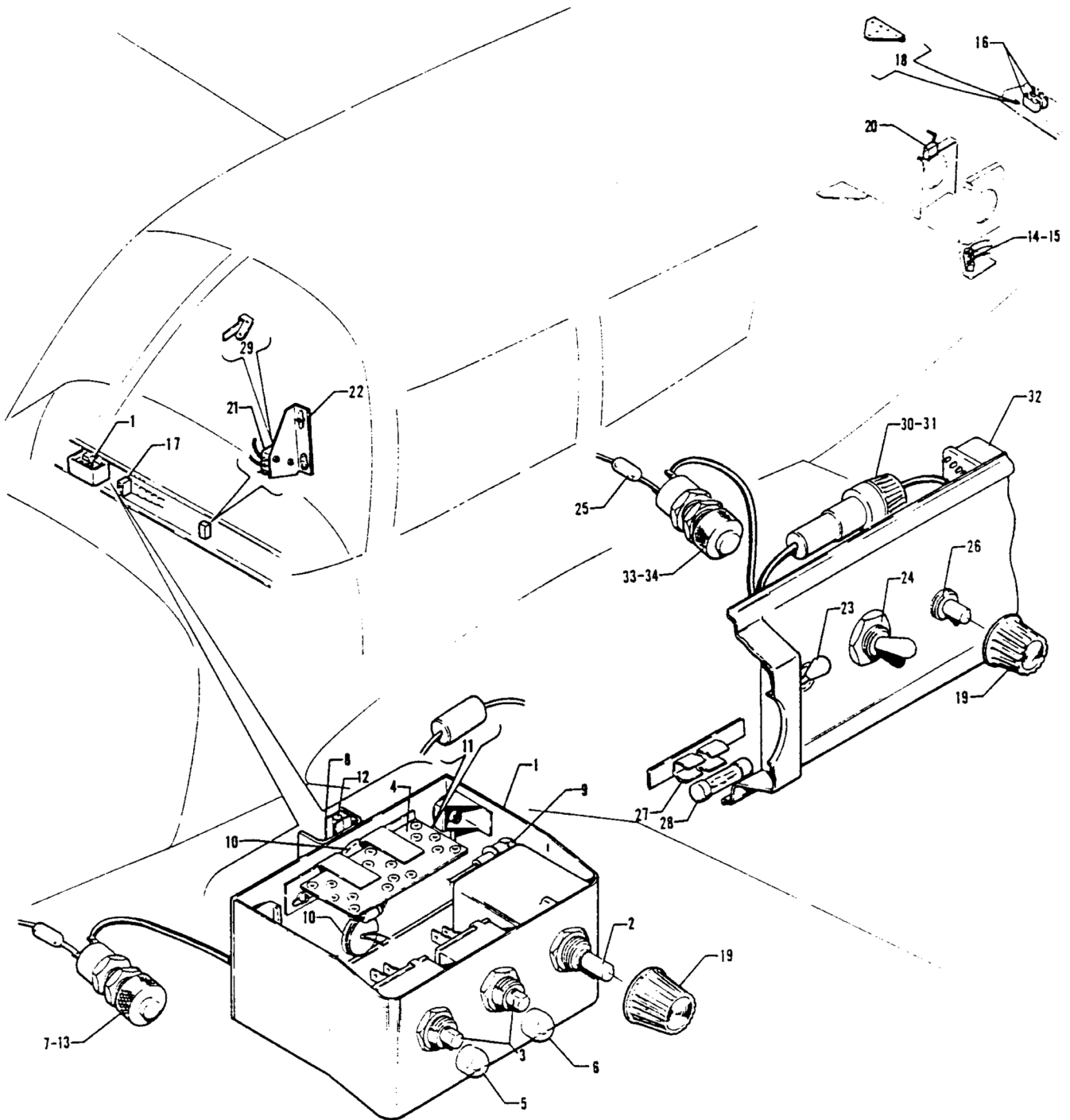


Figure 68A. Air Conditioning Electrical Installation
 (PA-28-140 - Serial Nos. 28-25001, 28-7125472 and up)
 (PA-28-180 - Serial Nos. 28-5653, 28-7205092 and up)
 (PA-28R-200 - Serial Nos. 28R-7235001 and up)

THIS PAGE INTENTIONALLY LEFT BLANK

PIPER PARTS CATALOG

Figure and Index Number	Part Number	Code	NOMENCLATURE	No. Req.	SERIAL NUMBERS AFFECTED
68A-	99530	G	DRAWING - Air Conditioning Electrical Installation		28-25001, 28-7125472 to 28-7225185 inclusive 28-7225186 to 28-7325057 incl. 28-7325058 and up
	99863	G	DRAWING - Air Conditioning Electrical Installation		
	79111	G	DRAWING - Air Conditioning Electrical Installation		
	99574	H	DRAWING - Air Conditioning Electrical Installation		
	99864	B	DRAWING - Air Conditioning Electrical Installation		
	99979	C	DRAWING - Air Conditioning Electrical Installation		
-1	99537-000	D,E	CONTROL HEAD ASSEMBLY - Air conditioning	1	
	99537-002	D,F	CONTROL HEAD ASSEMBLY - Air conditioning	1	
-2	99717-000		* THERMOSTAT - Air conditioning	1	
-3	99674-000		* SWITCH ASSEMBLY - Air conditioning	2	
-4	99521-000		* BOARD ASSEMBLY - Diode	1	
-5	472-834		* LIGHT - (CM22-01-02-28) Red	1	
-6	472-843	E	* LIGHT - (CM22-01-03-28) Amber	1	
-7	472-844	F	* LIGHT - (MS25041-4)	1	
-8	565-416		* HOLDER - Fuse (342004)	2	
-9	99851-000		* DIODE - Control head	1	
-10	456-738		* DIODE - (IN3659)	2	
-11	484-222		* RESISTOR - (200-3100 ohm)	2	
-12	461-629		* FUSE - (311005)	3	
-13	472-054	F	* BULB	1	
<p>A - Used on PA-28-140 with serial numbers 28-25001, 28-7125472 and up, PA-28-180 with serial numbers 28-5653, 28-7205092 and up, and PA-28R-200 with serial numbers 28R-7235001 and up.</p> <p>B - Used on PA-28-180 with serial numbers 28-7205180 to 28-7305071 inclusive, and PA-28R-200 with serial numbers 28R-7235001 to 28R-7335057 inclusive.</p> <p>C - Used on PA-28-180 with serial numbers 28-7305072 and up, and PA-28R-200 with serial numbers 28R-7335058 and up.</p> <p>D - No longer available. Order Air Condition Control System Modification Kit 760-757 as a replacement. If Air Condition Control System Modification Kit 760-757 has previously been installed, order individual items as desired (ref. items 23 thru 34 inclusive).</p> <p>E - Used on PA-28-140 with serial numbers 28-25001, 28-7125472 to 28-7225131 inclusive, and PA-28-180 with serial numbers 28-5653, 28-7205092 to 28-7205144 inclusive.</p> <p>F - Used on PA-28-140 with serial numbers 28-7225132 to 28-7325057 inclusive, PA-28-180 with serial numbers 28-7205145 to 28-7305071 inclusive, and PA-28R-200 with serial numbers 28R-7235001 to 28R-7335057 inclusive.</p> <p>G - Used on PA-28-140 airplanes only.</p> <p>H - Used on PA-28-180 with serial numbers 28-5653, 28-7205092 to 28-7205179 inclusive.</p>					

When ordering, always specify Part Number, Description, and Serial Number of Aircraft

PIPER PARTS CATALOG

Figure and Index Number	Part Number	Code	NOMENCLATURE	No. Req.	SERIAL NUMBERS AFFECTED
68A-14	587-844	G	SWITCH - Close limit (BZ-R31)	1	
-15	451-831	G	ACTUATOR - Close limit switch (MC7711)	1	
-16	484-223	G,H	RELAY - (60-111025-0)	2	
	484-209	F,H	RELAY	2	
	106869-007	H	HARNESS ASSEMBLY - Condenser door relay	1	
	106869-004	H	* HARNESS ASSEMBLY - Condenser door open	1	
	584-291	H	** RELAY - Condenser door open	1	
	106869-005	H	* HARNESS ASSEMBLY - Condenser door close	1	
	584-291	H	** RELAY - Condenser door close	1	
-17	454-710	G	CIRCUIT BREAKER 25 amp	1	
	454-709	F	CIRCUIT BREAKER 20 amp	1	
-18	99862-000	F	MOUNT ASSEMBLY- Relay	1	
-19	571-162		KNOB - Control head (RB-67-1-SB-M)	3	
-20	99528-000	G	SWITCH ASSEMBLY - Condenser door mechanism	1	
-21	487-925		SWITCH - Throttle limit (V3-1)	1	
-22	67196-000	B,C	BRACKET ASSEMBLY - Throttle limit switch support	1	
	99170-000	D	BRACKET - Throttle limit switch support	1	
-23	587-903	E	SWITCH - (MS35058-22)	1	
-24	763-815	E	SWITCH REPLACEMENT KIT - Fan (4 position)	1	
-25	484-467	E	RESISTOR - (4392)	1	
-26	99717-000	E	THERMOSTAT - Air conditioning	1	
-27	99999-000	E	HOLDER ASSEMBLY - Fuse	1	
-28	461-629	E	* FUSE - (311005)	2	
-29	451-834	D	ACTUATOR - Throttle limit switch (JV-7)	1	
-30	465-258	E	HOLDER - Fuse (155020)	3	
-31	461-629	E	FUSE - (311005)	3	
-32	484-209	E	RELAY	1	
-33	472-844	E	LIGHT - (MS25041-4)	1	
-34	472-054	E	BULB	1	
			A - Used on PA-28-140 with serial numbers 28-25001, 28-7125472 and up, PA-28-180 with serial numbers 28-5653, 28-7205092 and up, and PA-28R-200 with serial numbers 28R-7235001 and up.		
			B - Used on PA-28-140 with serial numbers 28-25001, 28-7125472 and up.		
			C - Used on PA-28-180 with serial numbers 28-5653, 28-7205092 and up.		
			D - Used on PA-28R-200 with serial numbers 28R-7235001 and up.		
			E - Used on PA-28-140 with serial numbers 28-7325058 and up, PA-28-180 with serial numbers 28-7305072 and up, and PA-28R-200 with serial numbers 28R-7335058 and up. Also used on PA-28-140 with serial numbers 28-25001, 28-7125472 to 28-7325057 inclusive PA-28-180 with serial numbers 28-5653, 28-7205092 to 28-7305071 inclusive, and PA-28R-200 with serial numbers 28R-7235001 to 28R-7335057 inclusive if Air Condition Control System Modification Kit 760-757 has been installed.		
			F - Used if existing air conditioning condenser transmission includes a switch mounting rod with two limit switches.		
			G - Used if existing air conditioning condenser transmission does not include a switch mounting rod with two limit switches.		
			H - On PA-28R-200, serial numbers 28R-7235001 thru 28R-7635545, see Piper Kit No. 88468-002 for first time replacement of condenser door relay(s).		

When ordering, always specify Part Number, Description, and Serial Number of Aircraft

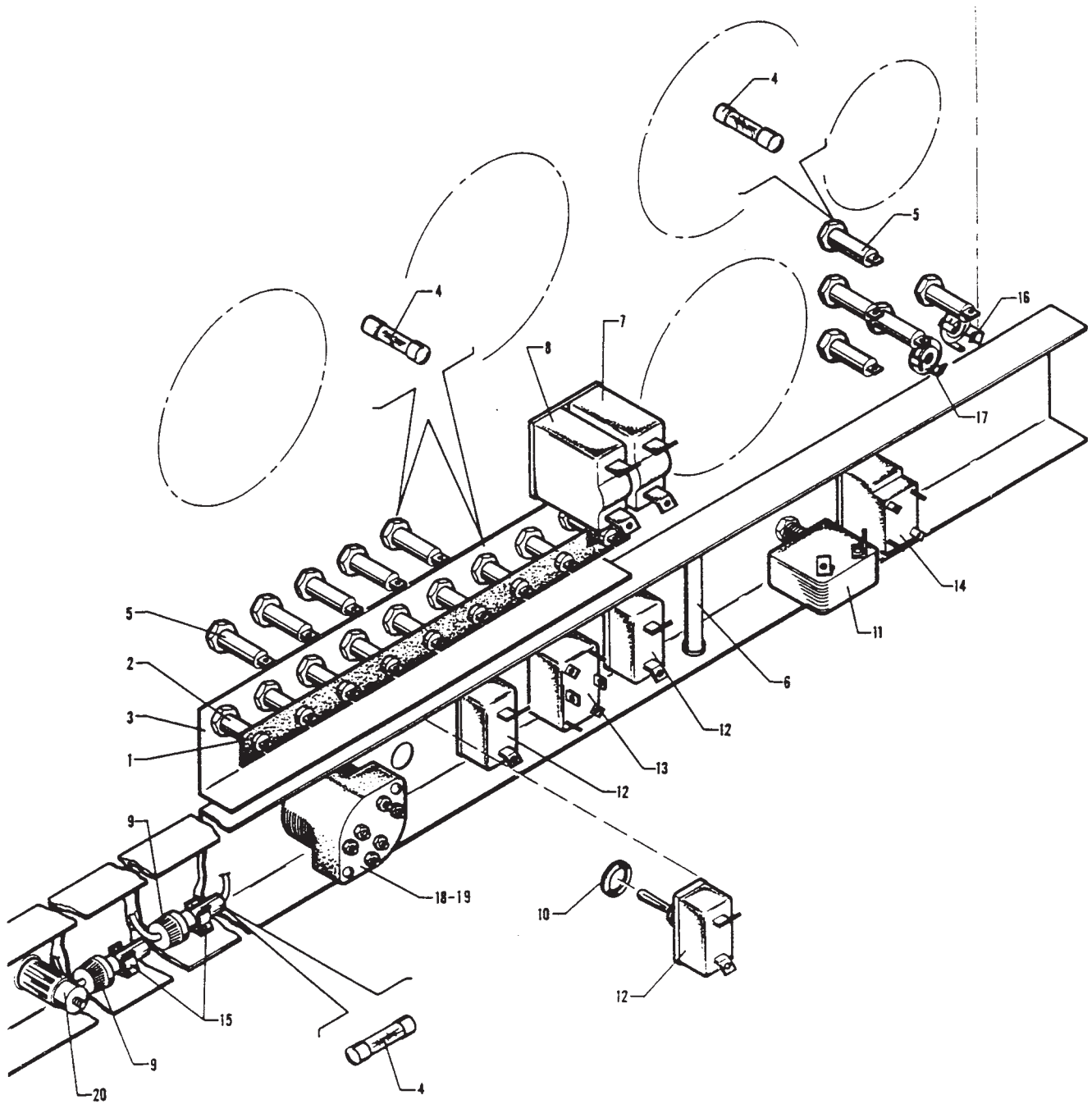


Figure 69. Instrument Panel Electrical Installation
 (PA-28-140 - Serial Nos. 28-20002 to 28-24999 inclusive)
 (PA-28-150-160-180 - Serial Nos. 28-1 to 28-4377 inclusive)
 (PA-28-235 - Serial Nos. 28-10003 to 28-11039 inclusive)

PA-28-140
 PA-28-150
 PA-28-160
 PA-28-180
 PA-28-235

THIS PAGE INTENTIONALLY LEFT BLANK

PIPER PARTS CATALOG

Figure and Index Number	Part Number	Code	NOMENCLATURE	No. Req.	SERIAL NUMBERS AFFECTED
69-	63855 63894 62165 62165 65132 62202 65449 65581	H B C H C C	DRAWING - Fuselage Harness Installation DRAWING - Fuselage Harness Installation DRAWING - Fuselage Harness Installation DRAWING - Fuselage Harness Installation DRAWING - Fuselage Harness Installation DRAWING - Fuselage Harness Installation DRAWING - Fuselage Harness Installation DRAWING - Fuselage Harness Installation		28-1 to 28-507 inclusive 28-508 to 28-1410 inclusive 28-1411 to 28-1760 inclusive 28-20002 to 28-24999 incl. 28-10003 to 28-10486 incl. 28-1761 to 28-4377 inclusive 28-10487 to 28-10719 incl. 28-10720 to 28-11039 incl.
-1	63861-000 63861-000 63080-000	H C D	BAR - Terminal BAR - Terminal BAR - Terminal	1 1 1	28-1 to 28-1760 inclusive 28-10003 to 28-10486 incl.
-2	465-256		HOLDER - Fuse	9	
-3	63868-000 63868-000 62403-000	H C D	CHANNEL ASSEMBLY - Fuse holder CHANNEL ASSEMBLY - Fuse holder CHANNEL ASSEMBLY - Fuse holder	1 1 1	28-1 to 28-1760 inclusive 28-10003 to 28-10486 incl.
-4	461-623 461-622 461-621		FUSE - 5 amp. FUSE - 10 amp. FUSE - 15 amp.	11 5 2	
-5	465-257	G	HOLDER - Fuse	5	
-6	484-407	G	RESISTOR - 75 ohm, 10 watts	1	
-7	454-663 454-665 454-701	B,E F	CIRCUIT BREAKER - 35 amp. CIRCUIT BREAKER - 40 amp. CIRCUIT BREAKER - 60 amp.	1 1 1	28-1 to 28-599 inclusive
-8	454-662 454-656 454-700	B,E F	CIRCUIT BREAKER - 50 amp. CIRCUIT BREAKER - 5 amp. CIRCUIT BREAKER - 5 amp.	1 1 1	28-1 to 28-599 inclusive
			A - Used on PA-28-140 with serial numbers 28-20002 to 28-24999 inclusive, PA-28-150, PA-28-160 and PA-28-180 with serial number 28-1 to 28-4377 inclusive, and PA-28-235 with serial numbers 28-10003 to 28-11039 inclusive. B - Used on PA-28-140 airplanes only. C - Used on PA-28-235 airplanes only. D - Used on PA-28-150, PA-28-160 and PA-28-180 with serial numbers 28-1761 to 28-4377 inclusive, PA-28-235 with serial numbers 28-10487 to 28-11039 inclusive, and PA-28-140 with serial numbers 28-20002 to 28-24999 inclusive. E - Used on PA-28-150, PA-28-160 and PA-28-180 with serial numbers 28-600 to 28-3377 inclusive, and PA-28-235 with serial numbers 28-10003 to 28-10719 inclusive. F - Used on PA-28-150, PA-28-160 and PA-28-180 with serial numbers 28-3378 to 28-4377 inclusive, and PA-28-235 with serial numbers 28-10720 to 28-11039 inclusive. G - Optional equipment. H - Used on PA-28-150, PA-28-160 and PA-28-180 airplanes only.		

When ordering, always specify Part Number, Description, and Serial Number of Aircraft

PA-28-140
PA-28-150
PA-28-160
PA-28-180
PA-28-235

PIPER PARTS CATALOG

Figure and Index Number	Part Number	Code	NOMENCLATURE	No. Req.	SERIAL NUMBERS AFFECTED
69 -9	465-258		HOLDER - Fuse	2	
-10	477-650		NUT - Knurled (011)	5	
-11	487-827		SWITCH - Starter (9023)	1	28-1 to 28-599 inclusive
	487-844		SWITCH - Starter (91100)	1	28-600 and up
-12	587-903		SWITCH - Rotating beacon, landing light, and fuel pump (MS35058-22)	3	
-13	487-770		SWITCH - Navigation light (AN3027-1)	1	
-14	487-769		SWITCH - Master (AN3027-2)	1	
-15	454-873		CLIP - Fuse holder (125002)	2	
-16	468-002		JACK - Mike (S128)	1	
-17	468-006		JACK - Phone (11)	1	
-18	14314-002	B	SWITCH - Ignition, with keys	1	
	752-892	C,D	SWITCH ASSEMBLY - Ignition	1	
-19	752-328	C	LOCK - Ignition switch	1	
-20	472-969		LIGHTER - Cigar (204575)	1	
<p>A - Used on PA-28-140 with serial numbers 28-20002 to 28-24999 inclusive, PA-28-150, PA-28-160 and PA-28-180 with serial numbers 28-1 to 28-4377 inclusive, and PA-28-235 with serial numbers 28-10003 to 28-11039 inclusive.</p> <p>B - Used on PA-28-150, PA-28-160 and PA-28-180 with serial numbers 28-1 to 28-1714 inclusive, and PA-28-235 with serial numbers 28-10003 to 28-10486 inclusive.</p> <p>C - Used on PA-28-140 with serial numbers 28-20002 to 28-24999 inclusive, PA-28-150, PA-28-160 and PA-28-180 with serial numbers 28-1715 to 28-4377 inclusive, and PA-28-235 with serial numbers 28-10487 to 28-11039 inclusive.</p> <p>D - If matching switch and door locks are desired, order Kit 470-652.</p>					

PA-28-140
PA-28-150
PA-28-160
PA-28-180
PA-28-235

When ordering, always specify Part Number, Description, and Serial Number of Aircraft

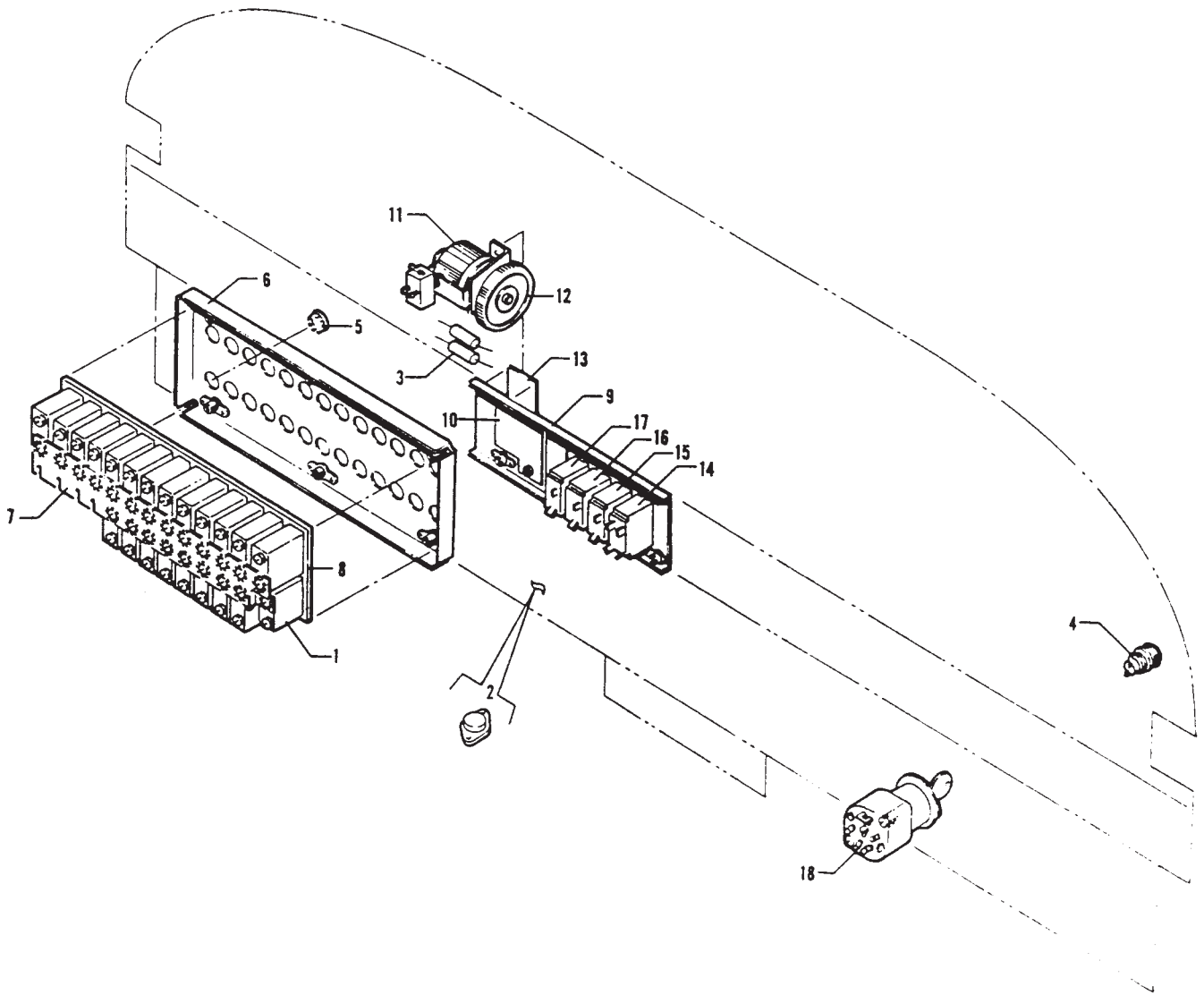


Figure 69A. Instrument Panel Electrical Installation
(PA-28-140 - Serial Nos. 28-25000 to 28-7425454 inclusive)

THIS PAGE INTENTIONALLY LEFT BLANK

PIPER PARTS CATALOG

Figure and Index Number	Part Number	Code	NOMENCLATURE	No. Req.	SERIAL NUMBERS AFFECTED
69A-	66718 79206		DRAWING - Instrument Panel Harness Installation DRAWING - Instrument Panel Harness Installation		28-25000 to 28-7325684 incl. 28-7425001 to 28-7425454 incl.
-1	454-711 454-706 454-668 454-707 454-669 454-708 454-670		CIRCUIT BREAKER - 60 amp CIRCUIT BREAKER - 5 amp CIRCUIT BREAKER - 5 amp CIRCUIT BREAKER - 10 amp CIRCUIT BREAKER - 10 amp CIRCUIT BREAKER - 15 amp CIRCUIT BREAKER - 15 amp	1 10 11 5 5 2 2	28-25000 to 28-7425454 incl. 28-25000 to 28-25800 incl. 28-25801 to 28-7425454 incl. 28-25000 to 28-25800 incl. 28-25801 to 28-7425454 incl. 28-25000 to 28-25800 incl. 28-25801 to 28 7425454 incl.
-2	489-400		TRANSISTOR - (2N3055)	1	28-7425001 to 28-7425454 incl.
-3	484-457		RESISTOR - (243E2R05)	2	28-7425001 to 28-7425454 incl.
-4	67422-004		LIGHT - Indicator (stall warning)	1	
-5	453-602		BUTTON - Plug (SS48152)	20	
-6	67424-008 99696-000 35261-000		PANEL ASSEMBLY - Circuit breaker PANEL ASSEMBLY - Circuit breaker PANEL ASSEMBLY - Circuit breaker	1 1 1	28-25000 to 28-7125651 incl. 28-7225001 to 28-7325684 incl. 28-7425001 to 28-7425454 incl.
-7	66744-000 66744-002 67412-004 35208-000		STRIP - Circuit breaker STRIP - Circuit breaker STRIP - Circuit breaker STRIP - Circuit breaker	1 1 1 1	28-25000 to 28-25800 incl. 28-25801 to 28-26956 incl. 28-7125001 to 28-7325684 incl. 28-7425001 to 28-7425454 incl.
-8	67409-000 67409-003		SPACER - Circuit breaker SPACER - Circuit breaker	1 1	28-25000 to 28-7325684 incl. 28-7425001 to 28-7425454 incl.
-9	66643-000 66643-000 79201-000	B B	PANEL ASSEMBLY - Switch PANEL ASSEMBLY - Switch PANEL ASSEMBLY - Switch	1 1 1	28-25000 to 28-7325684 incl. 28-7425001 to 28-7425454 incl.
-10	66713-000		PLATE - Switch cover	3	
-11	68812-002 67436-004		POTENTIOMETER ASSEMBLY POTENTIOMETER ASSEMBLY	1 1	28-25000 to 28-7325684 incl. 28-7425001 to 28-7425454 incl.
-12	66748-000 67437-000		KNOB - Potentiometer KNOB - Potentiometer	1 1	28-25000 to 28-7325684 incl. 28-7425001 to 28-7425454 incl.
-13	66746-000 69669-018		PLACARD - New Instrument lights PLACARD - Nav/Radio lights	1 1	28-25000 to 28-7325684 incl. 28-7425001 to 28-7425454 in.
-14	99377-005		SWITCH - MASTER (8911K619)	1	
-15	99377-017 99377-002		SWITCH - Fuel pump, beige (8911K594) SWITCH - Fuel pump, gray (8911K578)	1 1	28-25000 to 28-25475 incl. 28-25476 to 28-7425454 incl.
-16	99377-018 99377-003		SWITCH - Landing light, beige (8911K596) SWITCH - Landing light, gray (8911K580)	1 1	28-25000 to 28-25475 incl. 28-25476 to 28-7425454 incl.
-17	99377-016 99377-006		SWITCH - Strobe lights, beige (8911K651) SWITCH - Strobe lights, gray (8911K659)	1 1	28-25000 to 28-25475 incl. 28-25476 to 28-7425454 incl.
-18	757-597	A	SWITCH - Ignition (10-357210-1)	1	
-19	66747-000		PLATE - Switch cover	1	

A - If matching switch and door locks are desired, order Kit 470-713.
B - Used is potentiometer is installed.

When ordering, always specify Part Number, Description, and Serial Number of Aircraft

THIS PAGE INTENTIONALLY LEFT BLANK

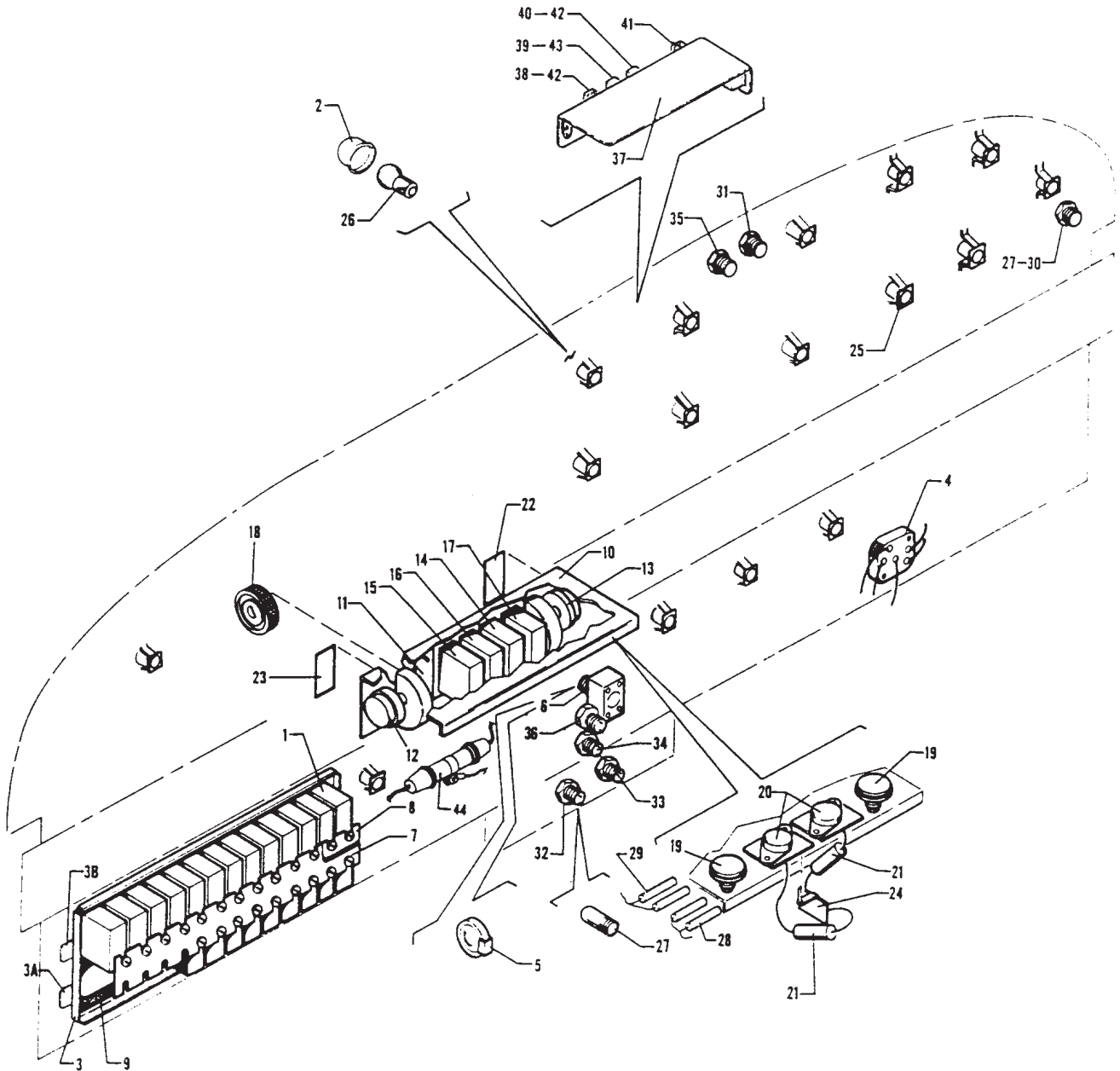


Figure 70. Instrument Panel Electrical Installation
 (PA-28-140 - Serial Nos. 28-7525001 and up)
 (PA-28-180 - Serial Nos. 28-4378 and up)
 (PA-28-235 - Serial Nos. 28-11040 and up)
 (PA-28R-180 - Serial Nos. 28R-30005 to 28R-30481 inclusive, 28R-30483 and up)
 (PA-28R-200 - Serial Nos. 28R-30482, 28R-35001 and up)

PA-28-140
 PA-28-180
 PA-28-235
 PA-28R-180
 PA-28R-200

THIS PAGE INTENTIONALLY LEFT BLANK

PIPER PARTS CATALOG

Figure and Index Number	Part Number	Code	NOMENCLATURE	No. Req.	SERIAL NUMBERS AFFECTED
70-	67460 76400 76457 65841 76375 76454 69266 76397 76460 79325	D B B C C C H	DRAWING - Instrument Panel Harness Installation DRAWING - Instrument Panel Harness Installation DRAWING - Electrical System Installation DRAWING - Instrument Panel Harness Installation DRAWING - Instrument Panel Harness Installation DRAWING - Electrical System Installation DRAWING - Instrument Panel Harness Installation DRAWING - Instrument Panel Harness Installation DRAWING - Electrical System Installation DRAWING - Electrical System Installation		28R-30005 to 28R-7335455 incl. 28R-7435001 to 28R-7435331 incl. 28R-7535001 and up 28-4378 to 28-7305611 incl. 28-7405001 to 28-7405290 incl. 28-7505001 and up 28-11040 to 28-7310187 incl. 28-7410001 to 28-7410120 incl. 28-7510001 and up 28-7525001 and up
-1	454-701 454-711 454-700 454-706 454-668 454-702 454-707 454-669 454-703 454-708 454-670 454-704 454-710 454-705 454-709 454-719 454-678	J J G G H G G H G G H G G G G G G H	CIRCUIT BREAKER - Black button - 60 amp CIRCUIT BREAKER - White button - 60 amp CIRCUIT BREAKER - Black button - 5 amp CIRCUIT BREAKER - White button - 5 amp CIRCUIT BREAKER - 5 amp CIRCUIT BREAKER - Black button - 10 amp CIRCUIT BREAKER - White button - 10 amp CIRCUIT BREAKER - 10 amp CIRCUIT BREAKER - Black button - 15 amp CIRCUIT BREAKER - White button - 15 amp CIRCUIT BREAKER - 15 amp CIRCUIT BREAKER - Black button - 25 amp CIRCUIT BREAKER - White button - 25 amp CIRCUIT BREAKER - Black button - 20 amp CIRCUIT BREAKER - White button - 20 amp CIRCUIT BREAKER - White button - 7.5 amp CIRCUIT BREAKER - 7 amp	AR AR AR AR AR AR AR AR AR AR AR AR AR AR AR AR AR AR	
-2	460-602	F	FILTER - Lunar white (1813-26)	16	
			<p>A - Used on PA-28-140 with serial numbers 28-7525001 and up, PA-28-180 with serial numbers 28-4378 and up, PA-28-235 with serial number 28-11040 and up, PA-28R-180 and PA-28R-200 airplane.</p> <p>B - Used on PA-28R-200 airplanes only.</p> <p>C - Used on PA-28-180 airplanes only.</p> <p>D - Used on PA-28R-180 and PA-28R-200 airplanes only.</p> <p>E - Used on PA-28-235 airplanes only.</p> <p>F - Used on PA-28-140 with serial numbers 28-7525001 and up, PA-28-180 with serial numbers 28-5601 and up, PA-28R-180 with serial numbers 28R-31251 and up, PA-28R-200 with serial numbers 28R-35601 and up and PA-28-235 with serial numbers 28-11301 and up.</p> <p>G - Used on PA-28-180, PA-28-235, PA-28R-180 and PA-28R-200 airplanes only.</p> <p>H - Used on PA-28-140 airplanes only.</p> <p>J - Used on PA-28-180 with serial numbers 28-4378 to 28-7405290 inclusive, PA-28-235 with serial numbers 28-11040 to 28-7410120 inclusive, PA-28R-180 with serial numbers 28R-30005 to 28R-7130019 inclusive, and PA-28R-200 with serial numbers 28R-30482, 28R-35001 to 28R-7435331 inclusive.</p>		

When ordering, always specify Part Number, Description, and Serial Number of Aircraft

PA-28-140
PA-28-180
PA-28-235
PA-28R-180
PA-28R-200

PIPER PARTS CATALOG

Figure and Index Number	Part Number	Code	NOMENCLATURE	No. Req.	SERIAL NUMBERS AFFECTED
70 -3 -3a -3b -4	67424-007	D	PANEL ASSEMBLY - Circuit breaker	1	28-7625031 and up
	67424-008	F	PANEL ASSEMBLY - Circuit breaker	1	
	99696-000		PANEL ASSEMBLY - Circuit breaker	1	
	35209-000		PANEL - Circuit breaker	1	
	69669-016		PLACARD - Circuit breaker panel	1	
	69669-024	C	PLACARD - Circuit breaker panel	1	
	69669-090	J	PLACARD - Circuit breaker panel	1	
	757-597	H,K	SWITCH - Ignition (10-357210-1)	1	
	762-438	B,L,N	SWITCH - Ignition (10-357200-1)	1	
	762-438	G,M,N	SWITCH - Ignition (10-357200-1)	1	
<p>A - Used on PA-28-140 with serial numbers 28-7525001 and up, PA-28-180 with serial numbers 28-4378 and up, PA-28-235 with serial numbers 28-11040 and up, PA-28R-180 and PA-28R-200 airplanes.</p> <p>B - If matching cabin door lock and ignition switch are desired, order Kit 87329-002.</p> <p>C - Used on PA-28-140 with serial numbers 28-7525001 to 28-7525350 inclusive, PA-28-180 with serial numbers 28-7405001 and up, PA-28-235 with serial numbers 28-7410001 to 28-7510145 inclusive, and PA-28R-200 with serial numbers 28R-7435001 to 28R-7535393 inclusive.</p> <p>D - Used on PA-28R-180 with serial numbers 28R-30005 to 28R-7130019 inclusive, and PA-28R-200 with serial numbers 28R-30482, 28R-35001 to 28R-7135238 inclusive.</p> <p>E - Used on PA-28-180 with serial numbers 28-7205001 to 28-7305611 inclusive, PA-28-235 with serial numbers 28-7210001 to 28-7310187 inclusive, and PA-28R-200 with serial numbers 28R-7235001 to 28R-7335455 inclusive.</p> <p>F - Used on PA-28-180 with serial numbers 28-4378 to 28-7105244 inclusive, PA-28-235 with serial numbers 28-11040 to 28-7110042 inclusive.</p> <p>G - If matching cabin door lock, baggage door lock and ignition switch are desired, order Kit 87329-003.</p> <p>H - If matching cabin door lock and ignition switch are desired on PA-28-140, order Kit 760 713 If matching cabin door lock, baggage door lock and ignition switch are desired on PA-28-180, PA-28-235, PA-28R-180 and PA-28R-200, order Kit 470 728.</p> <p>J - Used on PA-28-140 with serial numbers 28-7625001 and up, PA-28-235 with serial numbers 28-7610001 and up, and PA-28R-200 with serial numbers 28R-7635001 and up.</p> <p>K - Used on PA-28-140 with serial numbers 28-7525001 to 28-7625030 inclusive, PA-28-180 with serial numbers 28-4378 and up, PA-28-235 with serial numbers 28-11040 to 28-7610020 inclusive, PA-28R-180, and PA-28R-200 with serial numbers 28R-30482, 28R-35001 to 28R-7635017 inclusive.</p> <p>L - Used on PA-28-140 airplanes only.</p> <p>M - Used on PA-28-235 with serial numbers 28-7610021 and up, and PA-28R-200 with serial numbers 28R-7635018 and up.</p> <p>N - Reference latest revision of Piper Service Letter 758 on inspection of Bendix ignition switches.</p>					

PA-28-140
PA-28-180
PA-28-235
PA-28R-180
PA-28R-200

When ordering, always specify Part Number, Description, and Serial Number of Aircraft

PIPER PARTS CATALOG

Figure and Index Number	Part Number	Code	NOMENCLATURE	No. Req.	SERIAL NUMBERS AFFECTED
70 -5	67439-000	G	KNOB - Landing gear switch	1	
-6	487-936	G	SWITCH - Landing gear (8906-K-1385)	1	
-7	67412-002	D	STRIP - Circuit breaker	1	
	67412-004	C	STRIP - Circuit breaker	1	
	35208-000	B	STRIP - Circuit breaker	1	
-8	67412-003	D	STRIP - Circuit breaker	1	
-9	67409-000		SPACER - Circuit breaker	1	
	67409-003	B	SPACER - Circuit breaker	1	
-10	67407-000		PANEL ASSEMBLY- Switch	1	
	35212-000	B	PANEL ASSEMBLY - Switch	1	
-11	66713-000		PLATE - Switch cover	3	
-12	67435-002		POTENTIOMETER ASSEMBLY - Panel lights	1	
	67436-005	B	POTENTIOMETER ASSEMBLY - Panel lights	1	
-13	67435-003		POTENTIOMETER ASSEMBLY - Dome lights	1	
	67436-004	B	POTENTIOMETER ASSEMBLY - Instrument lights	1	
-14	99377-017	D	SWITCH - Fuel pump, beige (8911K594)	1	
	99377-002	F	SWITCH - Fuel pump, gray (8911K578)	1	
			A - Used on PA-28-140 with serial numbers 28-7525001 and up, PA-28-180 with serial numbers 28-4378 and up, PA-28-235 with serial numbers 28-11040 and up, PA-28R 180 and PA-28R-200 airplanes.		
			B - Used on PA-28-140 with serial numbers 28-7525001 and up, PA-28-180 with serial numbers 28-7405001 and up, PA-28-235 with serial numbers 28-7410001 and up, and PA-28R-200 with serial numbers 28R-7435001 and up.		
			C - Used on PA-28-180 with Serial numbers 28-7105001 to 28-7305611 inclusive, PA-28R-180 with serial numbers 28R-7130001 to 28R-7130019 inclusive, PA-28R-200 with serial numbers 28R-7135001 to 28R-7335455 inclusive, and PA-28-235 with serial numbers 28-7110001 to 28-7310187 inclusive.		
			D - Used on PA-28-180 with serial numbers 28-4378 to 28-5869 inclusive, PA-28R-180 with serial numbers 28R-30005 to 28R-30481 inclusive, 28R-30483 to 28R-31279 inclusive, PA-28R-200 with serial numbers 28R-30482, 28R-35001 to 28R-35830 inclusive, and PA-28-235 with serial numbers 28-11040 to 28-11393 inclusive.		
			E - Used on PA-28-180 with serial numbers 28-4378 to 28-7305611 inclusive, PA-28-235 with serial numbers 28-11040 to 28-7310187 inclusive, PA-28R-180 with serial numbers 28R-30005 to 28R-7130019 inclusive, and PA-28R-200 with serial numbers 28R-30482, 28R-35001 to 28R-7335455 inclusive.		
			F - Used on PA-28-140 with serial numbers 28-7525001 and up, PA-28-180 with serial numbers 28-7105001 and up, PA-28R-180 with serial numbers 28R-7130001 and up, PA-28R-200 with serial numbers 28R-7135001 and up, and PA-28-235 with serial numbers 28-7110001 and up.		
			G - Used on PA-28R-180 and PA-28R-200 airplanes only.		

When ordering, always specify Part Number, Description, and Serial Number of Aircraft

PA-28-140
PA-28-180
PA-28-235
PA-28R-180
PA-28R-200

PIPER PARTS CATALOG

Figure and Index Number	Part Number	Code	NOMENCLATURE	No. Req.	SERIAL NUMBERS AFFECTED	
70 -15 -16 -17 -18 -19 -20 -21	99377-016	D	SWITCH - Strobe light, beige (8911K651)	1		
	99377-006	C	SWITCH - Strobe light, gray (8911K659)	1		
	99377-018	D	SWITCH - Landing light, beige (8911K596)	1		
	99377-003	C	SWITCH - Landing light, gray (8911K580)	1		
	487-868	G	SWITCH - Master (8142K21E7T50)	1		
	99377-005	H	SWITCH - Master (8911K619)	1		
	67437-000		KNOB - Instrument lights	2		
	489-384	F	TRANSISTOR - (2N443)	2		
	489-385	F	TRANSISTOR - (2N669)	2		
	489-400	B	TRANSISTOR - (2N3055)	2		
	484-426	F	RESISTOR - (100 ohm, 2 watts)	2		
	<p>A - Used on PA-28-140 with serial numbers 28-7525001 and up, PA-28-180 with serial numbers 28-4378 and up, PA-28-235 with serial numbers 28-11040 and up, PA-28R-180 and PA-28R-200 airplanes.</p> <p>B - Used on PA-28-140 with serial numbers 28-7525001 and up, PA-28-180 with serial numbers 28-7405001 and up, PA-28-235 with serial numbers 28-7410001 and up, and PA-28R-200 with serial numbers 28R-7435001 and up.</p> <p>C - Used on PA-28-140 with serial numbers 28-7525001 and up, PA-28-180 with serial numbers 28-7105001 and up, PA-28R-180 with serial numbers 28R-7130001 and up, PA-28R-200 with serial numbers 28R-7135001 and up, and PA-28-235 with serial numbers 28-7110001 and up.</p> <p>D - Used on PA-28-180 with serial numbers 28-4378 to 28-5869 inclusive, PA-28R-180 with serial numbers 28R-30005 to 28R-30481 inclusive, 28R-30483 to 28R-31279 inclusive, PA-28R-200 with serial numbers 28R-30482, 28R-35001 to 28R-35830 inclusive and PA-28-235 with serial numbers 28-11040 to 28-11393 inclusive.</p> <p>E - See Figure 73A if wing tip strobe lights are installed.</p> <p>F - Used on PA-28-180 with serial numbers 28-4378 to 28-7305611 inclusive, PA-28-235 with serial numbers 28-11040 to 28-7310187 inclusive, PA-28R-180 with serial numbers 28R-30005 to 28R-7130019 inclusive, and up, PA-28R-200 with serial numbers 28R-30482, 28R-35001 to 28R-7335455 inclusive.</p> <p>G - Used on PA-28-180 with serial numbers 28-4378 to 28-5679 inclusive, PA-28R-180 with serial numbers 28R-30005 to 28R-30481 inclusive, 28R-30483 to 28R-31078 inclusive, and PA-28-235 with serial numbers 28-11040 to 28-11285 inclusive.</p> <p>H - Used on PA-28-140 with serial numbers 28-7525001 and up, PA-28-180 with serial numbers 28-5680 and up, PA-28R-180 with serial numbers 28R-31079 and up, PA-28R-200 with serial numbers 28R-30482, 28R-35001 and up, and PA-28-235 with serial numbers 28-11286 and up.</p>					

PA-28-140
PA-28-180
PA-28-235
PA-28R-180
PA-28R-200

When ordering, always specify Part Number, Description, and Serial Number of Aircraft

PIPER PARTS CATALOG

Figure and Index Number	Part Number	Code	NOMENCLATURE	No. Req.	SERIAL NUMBERS AFFECTED
70 -22	67429-002	D	PLACARD - Instrument lights, dome, wood grain background	1	
	66970-002	B	PLACARD - Instrument lights, dome, black background	1	
	69669-017	F	PLACARD - Instrument lights, black background	1	
-23	67429-003	D	PLACARD - Instrument lights, panel, wood grain background	1	
	66970-003	C	PLACARD - Instrument lights, panel, black background	8	
-24	487-700		STRIP - Terminal (1064)	1	
-25	67418-000		HOLDER ASSEMBLY - Instrument lamp	16	
	565-516	F	HOLDER ASSEMBLY - Instrument lamp	16	
-26	472-051	D	BULB - Red	20	
	472-056	C	BULB - Clear	20	
-27	472-054		BULB	7	
-28	484-457	F	RESISTOR - (243E2R05)	2	
-29	484-484	F	RESISTOR - (244E2R05)	2	
<p>A - Used on PA-28-140 with serial numbers 28-7525001 and up, PA-28-180 with serial numbers 28-4378 and up, PA-28-235 with serial numbers 28-11040 and up, PA-28R-180 and PA-28R-200 airplanes.</p> <p>B - Used on PA-28-180 with serial numbers 28-5601 to 28-7305611 inclusive, PA-28R-180 with serial numbers 28R-31251 to 28R-7130019 inclusive, PA-28R-200 with serial numbers 28R-35601 to 28R-7335455 inclusive, and PA-28-235 with serial numbers 28-11301 to 28-7310187 inclusive.</p> <p>C - Used on PA-28-140 with serial numbers 28-7525001 and up, PA-28-180 with serial numbers 28-5601 and up, PA-28R-180 with serial numbers 28R-31251 and up, PA-28R-200 with serial numbers 28R-35601 and up, and PA-28-235 with serial numbers 28-11301 and up.</p> <p>D - Used on PA-28-180 with serial numbers 28-4378 to 28-5600 inclusive, PA-28R-180 with serial numbers 28R-30005 to 28R-30481 inclusive, 28R-30483 to 28R-31250 inclusive, PA-28R-200 with serial numbers 28R-30482, 28R-35001 to 28R-35600 inclusive, and PA-28-235 with serial numbers 28-11040 to 28-11300 inclusive.</p> <p>E - Used on PA-28-180 with serial numbers 28-4378 to 28-7305611 inclusive, PA-28-235 with serial numbers 28-11040 to 28-7310187 inclusive, PA-28R-180 with serial numbers 28R-30005 to 28R-7130019 inclusive, and PA-28R-200 with serial numbers 28R-30482, 28R-35001 to 28R-7335455 inclusive.</p> <p>F - Used on PA-28-140 with serial numbers 28-7525001 and up, PA-28-180 with serial numbers 28-7405001 and up, PA-28-235 with serial numbers 28-7410001 and up, and PA-28R-200 with serial numbers 28R-7435001 and up.</p>					

When ordering, always specify Part Number, Description, and Serial Number of Aircraft

PIPER PARTS CATALOG

Figure and Index Number	Part Number	Code	NOMENCLATURE	No. Req.	SERIAL NUMBERS AFFECTED
70 -30	67422-004		LIGHT - Indicator (stall warning)	1	
-31	67422-009	G	LIGHT - Indicator (warning gear up)	1	
	67422-011	D	LIGHT - Indicator (warning gear unsafe)	1	
-32	67422-005	F	LIGHT - Indicator (left gear)	1	
-33	67422-006	F	LIGHT - Indicator (right gear)	1	
-34	67422-007	F	LIGHT - Indicator (nose gear)	1	
-35	67422-008	F	LIGHT - Indicator (gear in transit)	1	
-36	67422-010	B,D	LIGHT - Indicator (auto extender off)	1	28R-7235001 and up
-37	79333-000	C	PANEL ASSEMBLY - Annunciator	1	
-38	67422-012	C	* LIGHT - Indicator (oil)	1	
-39	67422-014	C	* LIGHT - Indicator (alt)	1	
-40	67422-013	C	* LIGHT - Indicator (vac)	1	
-41	487-904	C	* SWITCH - (39-1)	1	
-42	472-054	C	* BULB	2	
-43	453-695	C	* BULB	1	
-44	38149-005	E	FLASHER ASSEMBLY - Gear warning	1	
<p>A - Used on PA-28-140 with serial numbers 28-7525001 and up, PA-28-180 with serial numbers 28-4378 and up, PA-28-235 with serial numbers 28-11040 and up, PA-28R-180 and PA-28R-200 airplanes.</p> <p>B - Used on PA-28R-180 with serial numbers 28R-30005 to 28R-7130019 inclusive, and PA-28R-200 with serial numbers 28R-35001 to 28R-7135238 inclusive if Kit 760-542, Landing Gear Back-Up Actuator Override Mechanism, has been installed.</p> <p>C - Used on PA-28-140 with serial numbers 28-7525001 and up, PA-28-180 with serial numbers 28-7505001 and up, PA-28-235 with serial numbers 28-7510001 and up, and PA-28R-200 with serial numbers 28R-7535001 and up.</p> <p>D - Used on PA-28R-200 airplanes only.</p> <p>E - Replace landing gear warning horn flasher using Kit 460-939, applicable to PA-28R-180 and PA-28R-200 aircraft.</p> <p>F - Used on PA-28R-180 and PA-28R-200 airplanes only.</p> <p>G - Used on PA-28R-180 airplanes only.</p>					

PA-28-140
PA-28-180
PA-28-235
PA-28R-180
PA-28R-200

When ordering, always specify Part Number, Description, and Serial Number of Aircraft

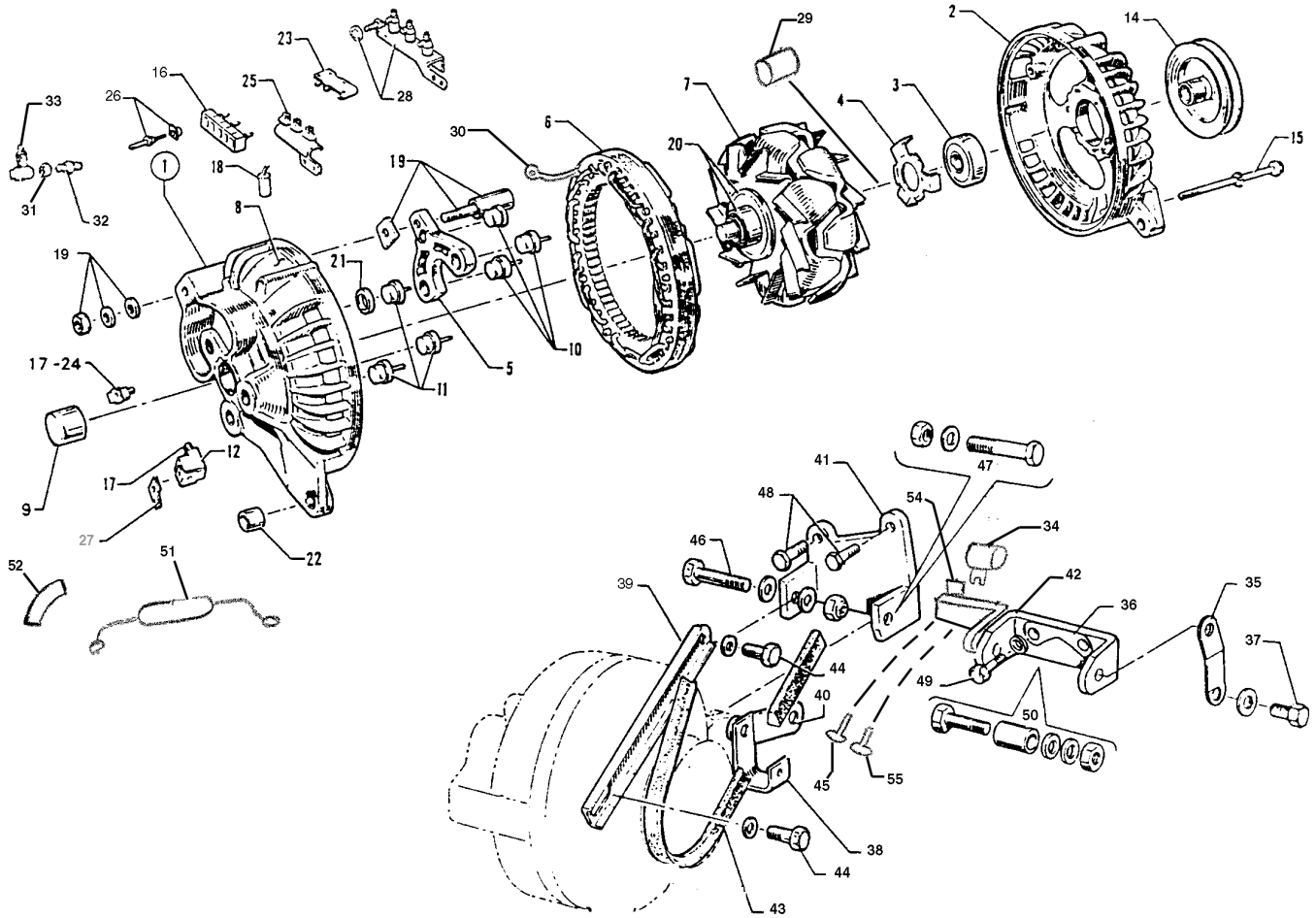


Figure 71. Alternator Installation (Chrysler)
(See Code "A")

THIS PAGE INTENTIONALLY LEFT BLANK

PIPER PARTS CATALOG

Figure and Index Number	Part Number	Code	NOMENCLATURE	No. Req.	SERIAL NUMBERS AFFECTED
71-	99936	B	DRAWING - Alternator Installation		
	99935	C	DRAWING - Alternator Installation		
	99937	D	DRAWING - Alternator Installation		
-1	69670-002	E	ALTERNATOR ASSEMBLY - 40 amp	1	
	69670-004	F,N	ALTERNATOR ASSEMBLY - 60 amp	1	
-2	756-159	GHJKL	SHIELD ASSEMBLY - Drive end (2098634)	1	
	762-490		SHIELD ASSEMBLY - Drive end (4111822)	1	
-3	753-375	GHJKL	BEARING - Drive end shield (2098478)	1	
	758-575	M	BEARING - Drive end shield (3656444)	1	
-4	755-846		PLATE - Bearing retainer (2095012)	1	
-5	751-955	G,H,I	HEAT SINK - Rectifier (2095925)	1	
-6	756-160	G,H	STATOR ASSEMBLY - (2095427)	1	
	756-250	J	STATOR ASSEMBLY - (3656400)	1	
	757-744	K	STATOR ASSEMBLY - (3438754)	1	
	757-745	L	STATOR ASSEMBLY - (3438768)	1	
	762-489	M	STATOR ASSEMBLY - (4111804)	1	
<p>A - Refer to Figure 32A and 71A if air conditioning is installed.</p> <p>B - Used on PA-28-140 with serial numbers 28-20002 to 28-20217 inclusive, PA-28-150, PA-28-160 and PA-28-180 with serial numbers 28-508 to 28-1760 inclusive.</p> <p>C - Used on PA-28-150, PA-28-160 and PA-28-180 with serial numbers 28-1761 and up, PA-28-235, PA-28R-180 and PA-28R-200 airplanes.</p> <p>D - Used on PA-28-140 with serial numbers 28-20218 and up.</p> <p>E - Used on PA-28-150, PA-28-160 and PA-28-180 with serial numbers 28-508 to 28-3377 inclusive, PA-28-235 with serial numbers 28-10003 to 28-10719 inclusive, and PA-28-140 with serial numbers 28-20002 to 28-24999 inclusive.</p> <p>F - Used on PA-28-150, PA-28-160 and PA-28-180 with serial numbers 28-3378 and up, PA-28-235 with serial numbers 28-10720 and up, PA-28-140 with serial numbers 28-25000 and up, PA-28R-180 and PA-28R-200 airplanes.</p> <p>G - Used on alternator which is stamped with number 2098640 or 2098615.</p> <p>H - Used on alternator which is stamped with number 2642995 or 2642996.</p> <p>J - Used on alternator which is stamped with number 2642197, 2642210 or 2642997.</p> <p>K - Used on alternator which is stamped with number 3656623.</p> <p>L - Used on alternator which is stamped with number 3656624.</p> <p>M - Used on alternator which is stamped with number 4111810.</p> <p>N - Also order and install placard Part Number 69668-000 if alternator is being installed on PA-28-150, PA-28-160 and PA-28-180 with serial number 28-3378 to 28-7405290 inclusive, PA-28-140 with serial numbers 28-2500 to 29-7425454 inclusive, PA-28-235 with serial numbers 28-10720 to 28-7410120 inclusive, PA-28R-180, and PA-28R-200 with serial numbers 28R-35001 to 28R-7435331 inclusive.</p>					

When ordering, always specify Part Number, Description, and Serial Number of Aircraft

PIPER PARTS CATALOG

Figure and Index Number	Part Number	Code	NOMENCLATURE	No. Req.	SERIAL NUMBERS AFFECTED
71 -7	752-865	E	ROTOR ASSEMBLY - (2098632)	1	
	756-014	F	ROTOR ASSEMBLY - (2642994)	1	
	755-943	B	ROTOR ASSEMBLY - (2642195)	1	
	756-064	C	ROTOR ASSEMBLY - (3656631)	1	
	756-065	D	ROTOR ASSEMBLY - (3656632)	1	
	762-628	G	ROTOR ASSEMBLY - (4111817)	1	
-8	760-928	B,E,F	KIT - Shield assembly, Rectifier end	1	
	757-746	C,D	SHIELD ASSEMBLY - Rectifier end	1	
	762-491	G	SHIELD ASSEMBLY - Rectifier end (4091535)	1	
-9	753-376	BCDEF	BEARING - Rectifier end shield (2098512)	1	
	758-576	G	BEARING - Rectifier end shield (3755184)	1	
-10	752-866	E,F	RECTIFIER - Positive (2098288)	3	
	755-944	B	RECTIFIER - Positive (3000046)	3	
-11	752-867	E,F	RECTIFIER - Negative (2098287)	3	
	755-945	B	RECTIFIER - Negative (3000047)	3	
-12	751-956	B,E,F	HOLDER - Brush (2095038)	1	
	758-369	D,G	HOLDER - Brush (3438159)	1	
-13	758-580	G	BRUSH HOLDER - Radial (4091667)	1	
-14	755-847	E	PULLEY ASSEMBLY - (2095664)	1	
	757-311	BCDFG	PULLEY ASSEMBLY - (2642706)	1	
-15	756-757	BCDEF	KIT - 3 Frame screws (3656470)	1	
	762-492	G	SCREW - Frame (4111814)	3	
	763-981	C,D	CAPACITOR - (4111887)	3	
-16	761-913	C,D,G	TERMINAL BLOCK - (3438729)	1	
-17	757-142	BCDEF	KIT - Brush and insulator assembly (2084673)	1	
-18	757-981	C,D	CAPACITOR - (3438725)	1	
	763-395	G	CAPACITOR - Stud and insulator package (3620793)	1	
-19	756-759	B,E,F	KIT - Internal capacitor and insulator (2421137)	1	
-20	757-143	B,E,F	KIT - Rotor grease retainer, washer and slip ring (2586512)	1	
-21	756-761	B,E,F	KIT - Rectifier heat sink spacer (2421138)	1	
-22	753-380	B,E,F,G	BUSHING - Alternator end shield (2095052)	1	
	758-249	C,D	BUSHING - Alternator end shield (2098052)	1	
-23	756-067	C,D	RECTIFIER ASSEMBLY - Negative (3438721)	1	
	755-340	G	HEAT SINK - Negative (3755114)	1	
-24	758-368	D	BRUSH ASSEMBLY PACKAGE - Horizontal (3837172)	1	
-25	756-066	C,D	RECTIFIER ASSEMBLY - Positive (3438727)	1	
-26	758-366	BCDEF	BATTERY TERMINAL PACKAGE - (3620794)	1	
-27	753-039	B,F,G	TERMINAL - Field (2098642)	1	
-28	758-573	G	BATTERY TERMINAL AND POSITIVE HEAT SINK PACKAGE (4240488)	1	
			RETAINER AND SLIP RING PACKAGE	1	
-29	762-629	B	TERMINAL (3438709)	3	
-30	762-049	G	BRUSH AND WASHER PACKAGE (4176097)	1	
-31	758-574	G	SCREW (6031272)	2	
-32	762-493	G	TERMINAL FIELD (4111809)	1	
-33	762-050	G	CAPACITOR ASSEMBLY - Alternator	1	
-34	63897-006				

When ordering, always specify Part Number, Description, and Serial Number of Aircraft

PIPER PARTS CATALOG

Figure and Index Number	Part Number	Code	NOMENCLATURE	No. Req.	SERIAL NUMBERS AFFECTED
71 -35	79238-000	E,G	STRUT - Alternator	1	
	78483-000	F,H	STRUT - Alternator	1	
-36	582-172	E,F,G,H	PLATE - Lock (73383)	1	
-37	401-971	E,F,G,H	BOLT - (MS20074-05-06)	1	
	62833-074	E,F,G,H	WASHER	1	
-38	63695-000	B,J	CLIP - Alternator support	1	
-39	63696-000	B	CHANNEL - Alternator support	1	
	63531-000	C,D	CHANNEL - Alternator support	1	
-40	63697-000	B	LINK - Alternator support	1	
-41	63698-000	B	BRACKET ASSEMBLY - Alternator support	1	
-42	65199-000	C,K	BRACKET - Alternator support	1	
	63520-000	D,K	BRACKET ASSEMBLY - Alternator support	1	
	65199-005	L	BRACKET - Alternator support	1	
	63520-000	C	BRACKET ASSEMBLY - Alternator support	1	
-43	564-852		BELT - V	1	
-44	401-971		BOLT - (MS20074-05-06)	2	
	407-566		WASHER - (AN960-516)	4	
-45	401-971		BOLT - (MS20074-05-06)	1	
	407-566		WASHER - (AN960-516)	6	
-46	401-395		BOLT - (AN6-14A)	1	
	407-567		WASHER - (AN960-616)	2	
	404-890		NUT - (MS20365-624C)	1	
<p>A - Refer to Figure 32A and 71A if air conditioning is installed.</p> <p>B - Used on PA-28-140 with serial numbers 28-20002 to 28-20217 inclusive, PA-28-150, PA-28-160 and PA-28-180 with serial numbers 28-508 to 28-1760, inclusive.</p> <p>C - Used on PA-28-150, PA-28-160 and PA-28-180 with serial numbers 28-1761 and up, PA-28-235, PA-28R-180 and PA-28R-200 airplanes.</p> <p>D - Used on PA-28-140 with serial numbers 28-20218 and up.</p> <p>E - Used on PA-28-140 with serial numbers 28-7325621 and up.</p> <p>F - Used on PA-28-180 with serial numbers 28-7305576 and up, PA-28-235 with serial numbers 28-7310184 and up, and PA-28R-200 with serial numbers 28R-7335376 and up.</p> <p>G - Used on PA-28-140 with serial numbers 28-20218 to 28-7325620 inclusive if Alternator Installation Modification Kit 760 741 has been installed.</p> <p>H - Used on PA-28-150, PA-28-160 and PA-28-180 with serial numbers 28-1761 to 28-7305575 inclusive, PA-28R-180 with serial numbers 28R-30005 to 28R-7130019 inclusive, PA-28-235 with serial numbers 28-10003 to 28-7310183 inclusive, and PA-28R-200 with serial numbers 28R-35001 to 28R-7335376 inclusive if Alternator Installation Modification Kit 760 742 has been installed.</p> <p>J - Used on PA-28-140 with serial numbers 28-20218 to 28-7125471 inclusive.</p> <p>K - Used if Alternator/Capacitor Mounting Kit 764-347 or 764-372 has not been installed.</p> <p>L - Used if Alternator/Capacitor Mounting Kit 764-347 or 764-372 has been installed per Piper Service Spares Letter 366, latest revision.</p>					

When ordering, always specify Part Number, Description, and Serial Number of Aircraft

PIPER PARTS CATALOG

Figure and Index Number	Part Number	Code	NOMENCLATURE	No. Req.	SERIAL NUMBERS AFFECTED
71 -47	401-396		BOLT - (AN6-15A)	1	
	407-567		WASHER - (AN960-616)	2	
	404-890		NUT - (MS20365-624C)	1	
-48	401-925		BOLT- (MS20074-04-12)	2	
-49	401-971		BOLT - (MS20074-05-06)	2	
	407-137		WASHER - (AN936-A516)	2	
-50	764-347	F,G	ALTERNATOR MOUNTING KIT	1	
	764-372	F,H	ALTERNATOR MOUNTING KIT	1	
-51	69666-000	B	RESISTOR ASSEMBLY	1	
-52	69668-000	B	PLACARD	1	
-53	65199-004	C	BRACKET - Alternator support	1	
-54	65199-006	E	SHIM - Alternator support	1	
-55	401-971	D	BOLT - (MS20074-05-06)	2	
	401-974	E	BOLT - (MS20074-05-07)	1	
	407-106	D	WASHER - (AN935-516)	2	
<p>A - Refer to Figure 32A and 71A if air conditioning installed. C - Used if Alternator/Capacitor Mounting Kit 764-347 or 764-372 has been installed. D - Used on PA-28-140, PA-28-150, PA-28-160, PA-28-180, or PA-28-235 if Alternator/Capacitor Mounting Kit 764-347 has been installed. E - Used on PA-28R-180 or PA-28R-200 if Alternator/Capacitor Mounting Kit 764-347 has been installed. F - Reference Piper Service Spares Letter 366, latest revision. G - Used on PA-28-140, PA-28-150, PA-28-160, PA-28-180 and PA-28-235 airplanes only. H - Used on PA-28R-180 and PA-28R-200 airplanes only.</p>					

When ordering, always specify Part Number, Description, and Serial Number of Aircraft

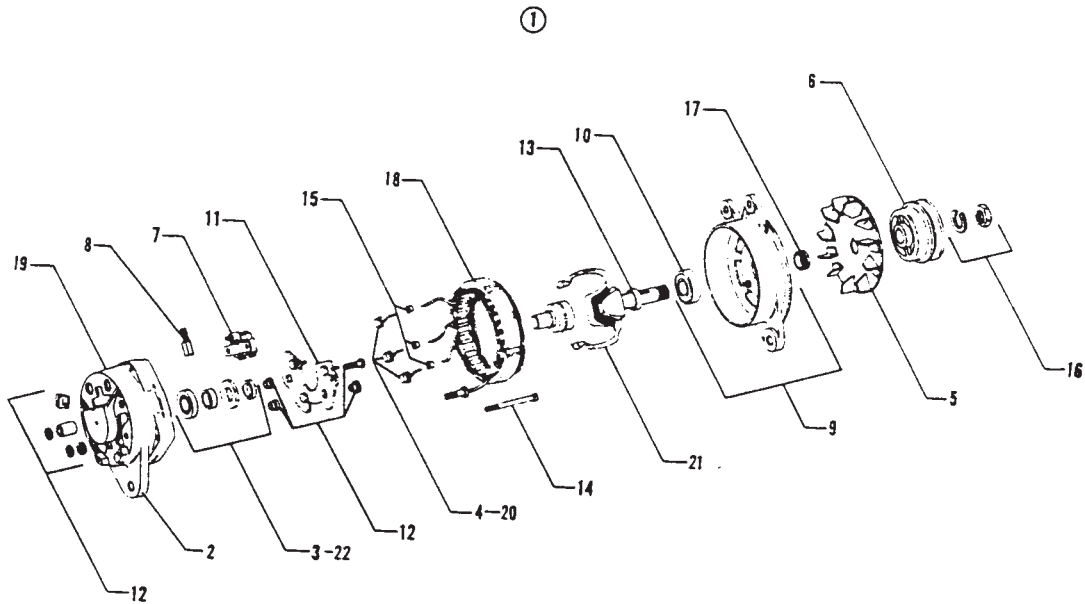


Figure 71A. Alternator Assembly (Prestolite)
 (PA-28-140 - Serial Nos. 28-25001, 28-7125472 and up)
 (PA-28-180 - Serial Nos. 28-5653, 28-7205092 and up)
 (PA-28R-200 - Serial Nos. 28R-7235001 and up)

THIS PAGE INTENTIONALLY LEFT BLANK

PIPER PARTS CATALOG

Figure and Index Number	Part Number	Code	NOMENCLATURE	No. Req.	SERIAL NUMBERS AFFECTED
71A-1	551-983		ALTERNATOR ASSEMBLY - Prestolite (ALY-6422)	1	
-2	762-244	B	* SLIP RING END HEAD AND ROTOR ASSEMBLY PACKAGE (90-2402)	1	
-3	757-386	B	** PACKAGE - Bearing and seal S.R.E. (90-2014)	1	
-4	757-387	B	** PACKAGE - Rectifier, negative (XA-944JS)	1	
-5	754-827		* FAN ASSEMBLY - Ventilating (90-2241)	1	
-6	757-392		* PULLEY - Drive (PU-692A)	1	
-7	758-224		* BRUSH HOLDER AND SPRING ASSEMBLY (ALE-1045BS)	1	
-8	758-471		** BRUSH SET - Alternator (ALE-1013AS)	1	
-9	755-232		* HEAD ASSEMBLY - Drive end (ALA-1003K)	1	
-10	758-225		** BEARING - Ball, seal (X-3416)	1	
-11	756-060		* RECTIFIER AND PLATE ASSEMBLY - Positive (ALE-1054A)	1	
-12	761-903		* TERMINAL STUD AND PARTS PACKAGE - (90-2043)	1	
-13	756-061		* RETAINER - Drive end (GR-32)	1	
-14	757-388		* PACKAGE - Thru bolt (ALA-20JS)	1	
-15	757-389		* PACKAGE - Eyelet (90-818)	1	
-16	757-390		* PACKAGE - Nut and washer (90-33)	1	
-17	757-721		* SPACER - Rotor shaft (ALD-21A)	1	
-18	757-719		* STATOR ASSEMBLY - (ALE-2008AES)	1	
-19	755-271	C	* HEAD ASSEMBLY - Slip ring end (ALK-11328S-1)	1	
-20	757-387	C	* PACKAGE - Rectifier, negative (XA-944JS)	1	
-21	762-508	C	* ROTOR - (ALE-21775-1)	1	
-22	757-386	C	* PACKAGE - Bearing and seal S.R.E. (90-2014)	1	

A - Used on PA-28-140 with serial numbers 28-25001, 28-7125472 and up, PA-28-180 with serial numbers 28-5653, 28-7205092 and up, and PA-28R-200 with serial numbers 28R-7235001 and up.
 B - Used with Alternator Assembly (ALY-6409) only.
 C - Used with Alternator Assembly (ALY-6422) only.

When ordering, always specify Part Number, Description, and Serial Number of Aircraft

THIS PAGE INTENTIONALLY LEFT BLANK

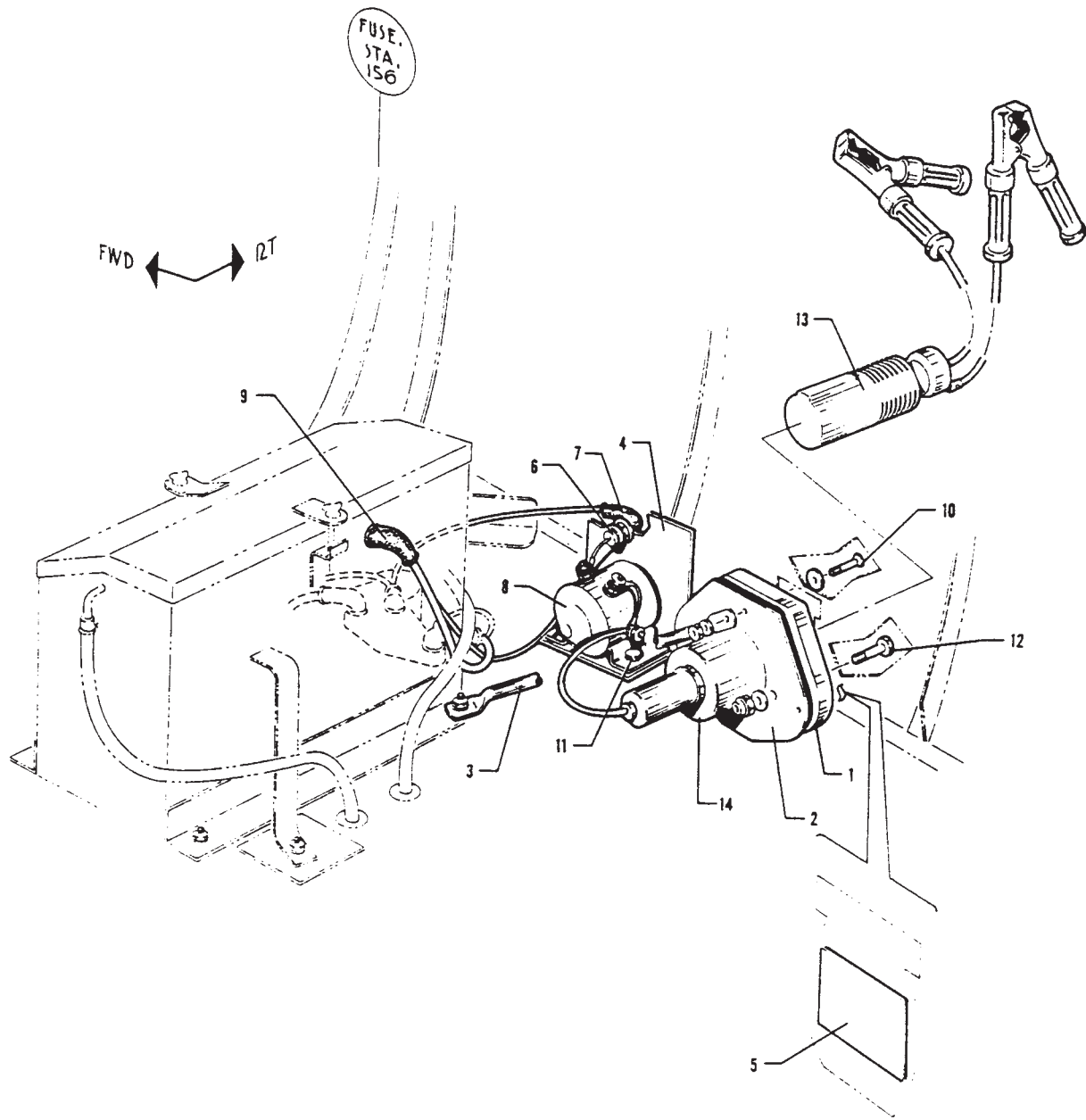


Figure 72. External Power Supply Installation

THIS PAGE INTENTIONALLY LEFT BLANK

PIPER PARTS CATALOG

Figure and Index Number	Part Number	Code	NOMENCLATURE	No. Req.	SERIAL NUMBERS AFFECTED
72-	62225 65647 79454	A E D	DRAWING - External Power Supply Installation DRAWING - External Power Supply Installation DRAWING - External Power Supply Installation		
-1	62226-000		SPACER - Auxiliary power receptacle	1	
-2	62227-000		PLATE - Auxiliary power receptacle	1	
-3	62228-000	A	TUBE - Auxiliary power receptacle support	1	
	65649-000	B	TUBE - Auxiliary power receptacle support	1	
-4	62342-000	A	BRACKET - Power relay	1	
	68198-000	B	SUPPORT - Diode mounting	1	
-5	69669-173		PLACARD - External power	1	
-6	456-728		DIODE - (IN3208)	1	
-7	476-673		NIPPLE - (MS25171-1S)	1	
-8	484-373		SOLENOID - (24059)	1	
-9	66580-002	C	BOOT - (476-695)	1	
-10	416-794		SCREW - (AN507-1032R14)	4	
	494-087		WASHER - (A3235-020-1)	4	
	690-612		WASHER - (NAS1149F0363P)	4	
	404-156		NUT - (MS21083N3)	4	
-11	400-002		BOLT - (AN4-5A)	2	
	690-611		WASHER - (NAS1149F0463P)	2	
	404-530		NUT - (MS21042-4)	2	
-12	400-728		BOLT - (AN25-11A)	2	
	690-628		WASHER - (NAS1149F0563P)	2	
	407-106		WASHER - (AN935-516)	2	
	404-837		NUT - (MS20364-524C)	2	
-13	62355-002		PLUG ASSEMBLY - Power connector	1	
-14	62355-003		SOCKET ASSEMBLY - Power connector	1	
			A - Used on PA-28-235 with serial numbers 28-10003 to 28-10719 inclusive, PA-28-150, PA-28-160 and PA-28-180 with serial numbers 28-1 to 284377 inclusive.		
			B - Used on PA-28-235 with serial numbers 28-10720 and up, PA-28-180 with serial numbers 28-4378 and up, PA-28R-180 and PA-28R-200 airplanes.		
			C - Used on PA-28-235 with serial numbers 28-10720 to 28-7410120 inclusive, PA-28-180 with serial numbers 28-4378 to 28-7405290 inclusive, PA-28R-180 with serial numbers 28R-30005 to 28R-7130019 inclusive, and PA-28R-200 with serial numbers 28R-30482, 28R-35001 to 28R-7435331 inclusive.		
			D - Used on PA-28-235 with serial numbers 28-7510001 and up, PA-28-180 with serial numbers 28-7505001 and up, and PA-28R-200 with serial numbers 28R-7535001 and up. Also used on aircraft with code C serial numbers if Auxiliary Power Receptacle Installation Kit 761-089 has been installed.		
			E - Used on PA-28-235 with serial numbers 28-10720 to 28-7410120 inclusive, PA-28-180 with serial numbers 28-4378 to 28-7405290 inclusive, PA-28R-180 with serial numbers 28R-30005 to 28R-7130019 inclusive, and PA-28R-200 with serial numbers 28R-30482, 28R-35001 to 28R-7435331 inclusive. Order drawing with code D serial numbers if Auxiliary Power Receptacle Installation Kit 761-089 has been installed.		

When ordering, always specify Part Number, Description, and Serial Number of Aircraft

PA-28-150
PA-28-160
PA-28-180
PA-28-235
PA-28R-180
PA-28R-200

THIS PAGE INTENTIONALLY LEFT BLANK

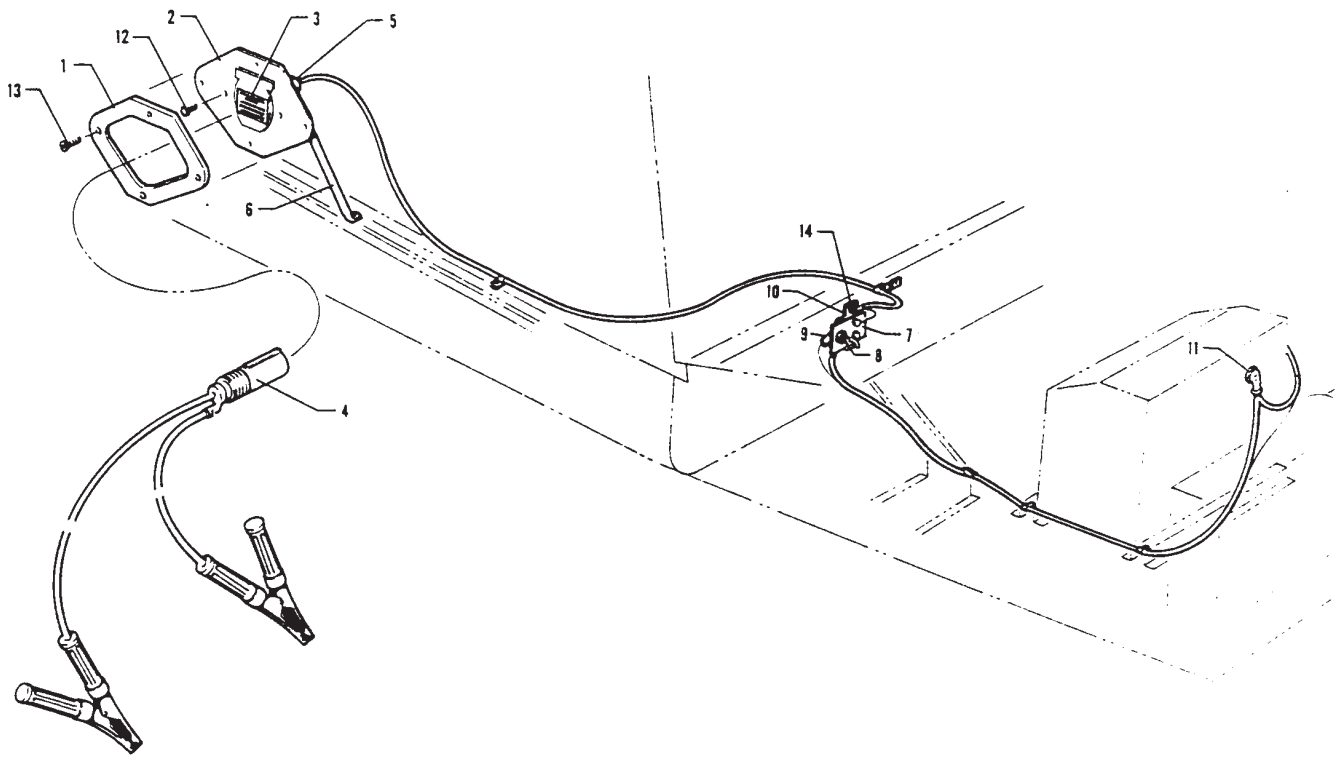


Figure 73. External Power Supply Installation

THIS PAGE INTENTIONALLY LEFT BLANK

PIPER PARTS CATALOG

Figure and Index Number	Part Number	Code	NOMENCLATURE	No. Req.	SERIAL NUMBERS AFFECTED
73-	65529 66745	A B	DRAWING - External Power Supply DRAWING - External Power Supply		
-1	62226-000		SPACER - Auxiliary power receptacle	1	
-2	62227-000		PLATE - Auxiliary power receptacle	1	
-3	69669-173		PLACARD - External power	1	
-4	62355-002		PLUG ASSEMBLY - Power connector	1	
-5	62355-006		SOCKET ASSEMBLY - Power connector	1	
-6	65528-000		TUBE - Auxiliary power receptacle support	1	28-20002 to 28-25460 incl.
	99306-000		TUBE - Auxiliary power receptacle support	1	28-25461 and up
-7	68198-000		SUPPORT - Diode	1	
-8	456-728		DIODE - (IN3208)	1	
-9	476-673		NIPPLE - Diode (MS25171-1S)	1	
-10	484-373		SOLENOID - (24059)	1	
-11	66580-002		BOLT - (476 695)	1	
-12	401-185		BOLT - (AN5-5A)	2	
	690-628		WASHER - (NAS1149F0563P)	2	
	404-531		NUT - (MS21042-5)	2	
-13	416-794		SCREW - (MS24693-S275)	4	
	494-837		WASHER - (A3235020-1)	4	
	690-612		WASHER - (NAS1149F0363P)	4	
	404-156		NUT - (MS21083N3)	4	
-14	401-307		BOLT - (AN4-4A)	2	
	690-611		WASHER - (NAS1149F063P)	2	
	404-530		NUT - (MS21042-4)	2	
			A - Used on PA-28-140 with serial numbers 28-20002 to 28-24999 inclusive. B - Used on PA-28-140 with serial numbers 28-25000 and up.		

When ordering, always specify Part Number, Description, and Serial Number of Aircraft

THIS PAGE INTENTIONALLY LEFT BLANK

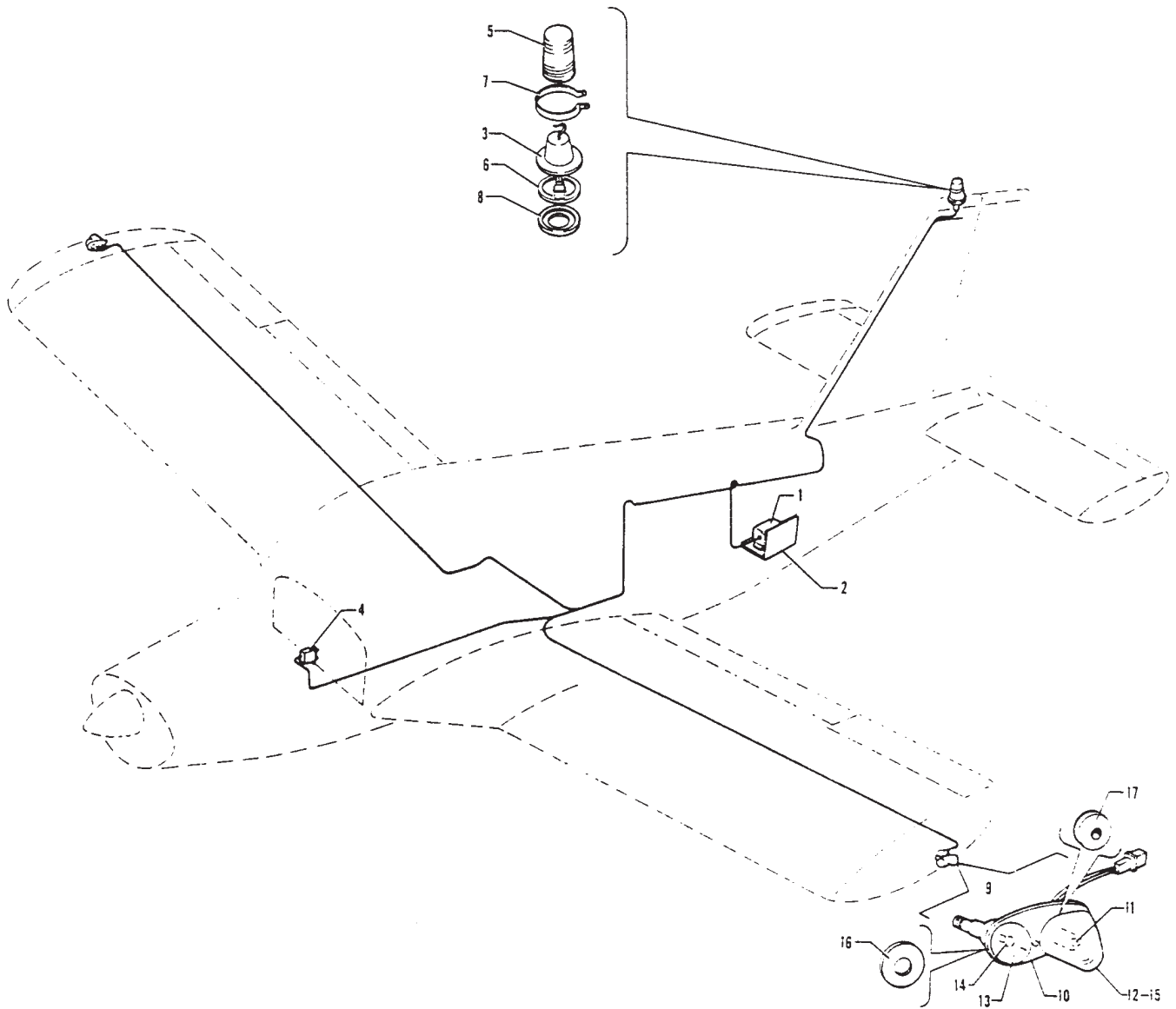


Figure 73A. Strobe Lights Installation

PA-28-140
PA-28-180
PA-28-235
PA-28R-180
PA-28R-200

THIS PAGE INTENTIONALLY LEFT BLANK

PIPER PARTS CATALOG

Figure and Index Number	Part Number	Code	NOMENCLATURE	No. Req.	SERIAL NUMBERS AFFECTED
73A-	99030	A	DRAWING - Strobe Lights Installation		
-1	481-214	A,B	POWER SUPPLY - Strobe lights	1	
	481-247	C	POWER SUPPLY - Strobe lights	1	
-2	99031-000		BRACKET ASSEMBLY - Power supply mounting	1	
	99031-009		SHIM	2	
-3	757-762	A	LIGHT ASSEMBLY - Strobe, fin (unshielded)	1	
	761-189	A,E	LIGHT ASSEMBLY - Strobe, fin (shielded)	1	
-4	99377-016	A,B	SWITCH - Strobe light, beige (8911K651)	1	
	99377-006	A,B	SWITCH - Strobe light, gray (8911K659)	1	
	99377-007	A,C	SWITCH - Strobe light, gray (8911K660)	1	
-5	761-161	A	LENS - Strobe light, red (unshielded)	1	
	761-190	A,E	LENS - Strobe light, red (shielded)	1	
-6	755-042	A	GASKET - Strobe light	1	
-7	755-200	A	CLAMP ASSEMBLY - Ring	1	
-8	751-312	A	ADAPTER - Mounting plate	1	
-9	761-158		LIGHT ASSEMBLY - Navigation and strobe, wing tip, red (unshielded)	1	
	472-896	E	LIGHT ASSEMBLY - Navigation and strobe, wing tip, red (shielded)	1	
	761-159		LIGHT ASSEMBLY - Navigation and strobe, wing tip, green (unshielded)	1	
	472-895	E	LIGHT ASSEMBLY - Navigation and strobe, wing tip, green (shielded)	1	
-10	756-037	D	* RETAINER - Light lens	1	
-11	761-156		* TUBE ASSEMBLY - Flash, tip	1	
-12	761-157		* LENS - Wing tip strobe (unshielded)	1	
-13	751-202		* LENS - Navigation, red	1	
	751-201		* LENS - Navigation, green	1	
-14	751-381		* BULB - (1512)	1	
-15	761-162	E	* LENS & RETAINER ASSEMBLY - Wing tip strobe (shielded)	1	
-16	755-075		* GASKET - Navigation light (W1283)	1	
-17	755-076		* GASKET - Wing strobe (A-427-4)	1	
			<p>A - Used on PA-28-140 with serial numbers 28-26401 and up, PA-28-180 with serial numbers 28-5601 and up, PA-28-235 with serial numbers 28-11301 and up, PA-28R-180 with serial numbers 28R-31251 and up, and PA-28R-200 with serial numbers 28R-35601 and up.</p> <p>B - Used if white strobe wing tip lights are not installed.</p> <p>C - Used if white strobe wing tip lights are installed.</p> <p>D - Used if unshielded wing tip strobe lens is installed.</p> <p>E - Must be used when an ADF Radio Installation is installed.</p>		

When ordering, always specify Part Number, Description, and Serial Number of Aircraft

THIS PAGE INTENTIONALLY LEFT BLANK

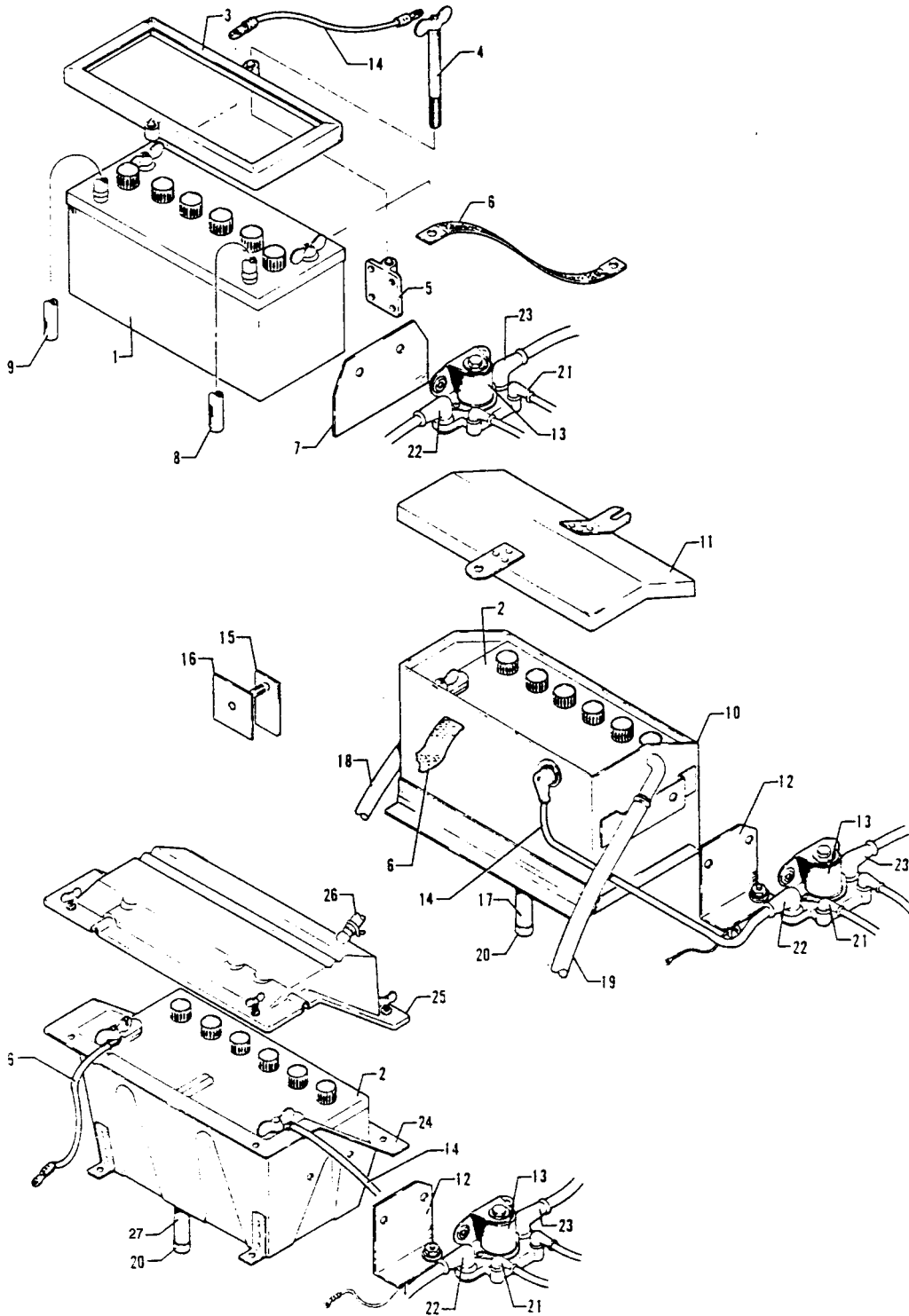


Figure 73B. Battery Installation

THIS PAGE INTENTIONALLY LEFT BLANK

PIPER PARTS CATALOG

Figure and Index Number	Part Number	Code	NOMENCLATURE	No. Req.	SERIAL NUMBERS AFFECTED
73B-1	450-018		BATTERY - (AC-66)	1	28-1 to 28-46 inclusive
-2	450-030		BATTERY - (S25) 25 amp-hour	1	28-47 and up
	450-035		BATTERY - (R35) 35 amp-hour	1	28-47 and up
-3	63262-000		FRAME ASSEMBLY - Battery tie down	1	28-1 to 28-46 inclusive
-4	63258-000		ROD ASSEMBLY - Battery	2	28-1 to 28-46 inclusive
-5	63253-000		PLATE ASSEMBLY - Battery tie down bolt	2	28-1 to 28-46 inclusive
-6	11122-000		CABLE ASSEMBLY - Ground (10.00")	1	28-1 to 28-46 inclusive
	63890-002	A	WIRE ASSEMBLY - Ground (12.38")	1	
	78140-033	C	WIRE ASSEMBLY - Ground (12.00")	1	
-7	63879-000		PLATE - Insulating	1	28-1 to 28-507 inclusive
-8	63904-006		HOSE - Battery vent, left	1	28-1 to 28-46 inclusive
-9	63904-007		HOSE - Battery vent, right	1	28-1 to 28-46 inclusive
-10	63888-000	A, E	BOX ASSEMBLY - Battery	1	
-11	63977-000	A	LID ASSEMBLY - Battery box	1	
-12	62279-000	B	DIODE ASSEMBLY - Master relay	1	
-13	455-151		CONTACTOR - Power relay (6041H105A)	1	
-14	63862-018	F	WIRE ASSEMBLY - Positive (7.50")	1	28-1 to 28-46 inclusive
	63862-148	A,F	WIRE - Positive (7.50")	1	
	78140-039	C,F	WIRE ASSEMBLY - Positive (11.00")	1	
-15	66616-000	A	TERMINAL - Battery box	1	
-16	17555-000	A	PLATE - Battery box	1	
-17	63904-021	A	HOSE - Battery vent, bottom	1	
-18	63904-020	A	HOSE - Battery vent, left	1	
-19	63904-019	A	HOSE - Battery vent, right	1	
-20	454-161	D	CAP - Vent (1704-9-Y)	1	
			A - Used on PA-28-140 with serial numbers 28-20002 to 28-7425454 inclusive, PA-28-150, PA-28-160 and PA-28-180 with serial numbers 28-47 to 28-7405290 inclusive, PA-28-235 with serial numbers 28-10003 to 28-7410120 inclusive, PA-28R-180 with serial numbers 28R-30005 to 28R-7130019 inclusive, and PA-28R-200 with serial numbers 28R-30482, 28R-35001 to 28R-7435331 inclusive.		
			B - Used on PA-28-140 with serial numbers 28-20081 and up, PA-28-150, PA-28-160 and PA-28-180 with serial numbers 28-1681 and up, PA-28-235 with serial numbers 28-10353 and up, PA-28R-180 and PA-28R-200 airplanes.		
			C - Used on PA-28-140 with serial numbers 28-7525001 and up, PA-28-180 with serial numbers 28-7505001 and up, PA-28-235 with serial numbers 28-7510001 and up, and PA-28R-200 with serial numbers 28R-7535001 and up.		
			D - Used on PA-28-140 with serial numbers 28-20002 and up, PA-28-180 with serial numbers 28-4378 and up, PA-28-235 with serial numbers 28-11040 and up, PA-28R-180 and PA-28R-200 airplanes.		
			E - Reference latest revision of Service Bulletin 804 on Battery Strap Installation using Kit No. 765-157 for PA-28-180 aircraft with serial numbers 28-7505001 thru 28-7505259 inclusive, PA-28-235 with serial numbers 28-7510001 thru 28-7710089 inclusive and PA-28R-200 with serial numbers 28R-7535001 thru 28R-7635545 inclusive.		
			F - Reference Piper Service Bulletin 836 on wire inspection and replacement.		

When ordering, always specify Part Number, Description, and Serial Number of Aircraft

PIPER PARTS CATALOG

Figure and Index Number	Part Number	Code	NOMENCLATURE	No. Req.	SERIAL NUMBERS AFFECTED
73B-21	23969-002		NIPPLE - Electrical	2	
-22	23969-005		NIPPLE - Electrical	1	
-23	66580-002		NIPPLE - Terminal (476 695)	1	
-24	35202-000	C	BOX ASSEMBLY - Battery	1	
-25	35201-000	C	COVER ASSEMBLY - Battery box	1	
-26	63904-006	A	HOSE - Battery vent, left (19" L)	1	
-27	63904-020	B	HOSE - Battery vent, bottom (18" L)	1	
<p>A - Used on PA-28-140 with serial numbers 28-7525001 and up, PA-28-180 with serial numbers 28-7505001 and up, PA-28-235 with serial numbers 28-7510001 and up, and PA-28R-200 with serial numbers 28R-7535001 and up.</p> <p>B - Used on PA-28-180 with serial numbers 28-7505001 and up, PA-28-235 with serial numbers 28-7510001 and up, and PA-28R-200 with serial numbers 28R-7535001 and up.</p> <p>C - Used on PA-28-140 with serial numbers 28-7525001 and up, PA-28-180 with serial numbers 28-7505001 and up, PA-28-235 with serial numbers 28-7510001 and up, and PA-28R-200 with serial numbers 28R-7535001 and up.</p>					

When ordering, always specify Part Number, Description, and Serial Number of Aircraft

SECTION 8

CONTROL SYSTEM GROUP

THIS PAGE INTENTIONALLY LEFT BLANK

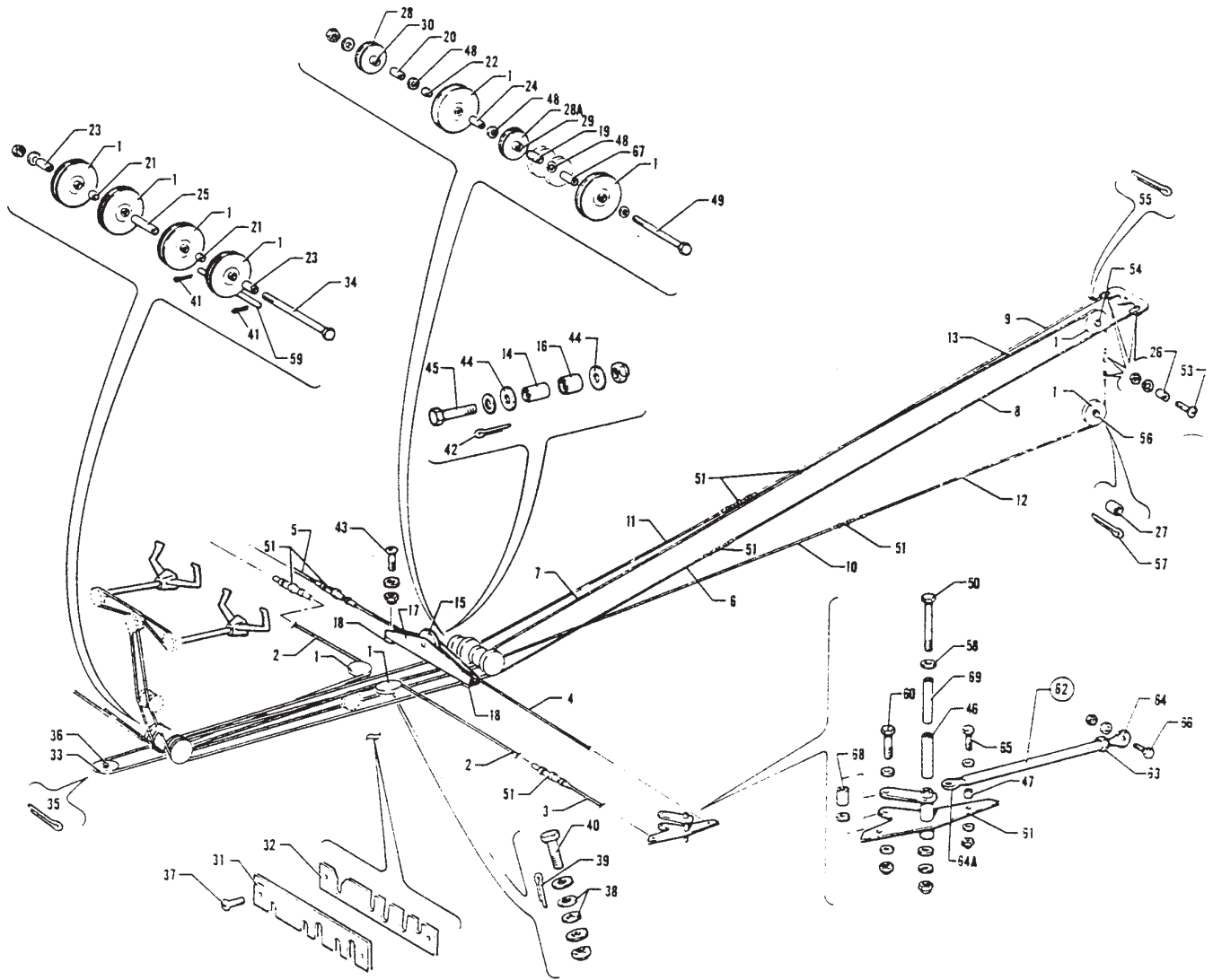


Figure 74. Control System Installation

PA-28-140
PA-28-150
PA-28-160
PA-28-180
PA-28-235

THIS PAGE INTENTIONALLY LEFT BLANK

PIPER PARTS CATALOG

Figure and Index Number	Part Number	Code	NOMENCLATURE	No. Req.	SERIAL NUMBERS AFFECTED
74-	62700	E	DRAWING - Control System Installation		
	65580	F	DRAWING - Control System Installation		
	66697	G	DRAWING - Control System Installation		
	62010	A	DRAWING - Wing (Complete)		
	62015	B	DRAWING - Wing (Complete)		
	65601	D	DRAWING - Wing (Complete)		
	65042	C	DRAWING - Wing (Complete)		
	65468	C	DRAWING - Wing (Complete)		28-10003 to 28-10675 incl.
	65561	C	DRAWING - Wing (Complete)		28-10676 to 28-10719 incl. 28-10720 and up
-1	41001-010		PULLEY - 2-3/4" Diameter	10	
-2	62701-002	H	CABLE - Forward aileron	2	
	62701-099	J	CABLE - Forward aileron	2	
-3	62701-003	K	CABLE - Aileron, wing	2	
-4	62701-004	K	CABLE - Aileron balance, left	1	
-5	62701-005	K	CABLE - Aileron balance, right	1	
-6	62701-006	H	CABLE - Forward rudder, left	1	
	62701-100	J	CABLE - Forward rudder, left	1	
-7	62701-007	K	CABLE - Forward rudder, right	1	
-8	62701-008		CABLE - Aft rudder, left	1	
-9	62701-009	K	CABLE - Aft rudder, right	1	
			A - Used on airplanes with serial numbers 28-1 to 28-45, 28-47 to 28-54, 28-56, 28-57, 28-61 to 28-77, 28-79 to 28-84, 28-86 to 28-98, 28-92 to 28-94 inclusive.		
			B - Used on PA-28-150, PA-28-160 and PA-28-180 with serial numbers 28-46, 28-55, 28-58, 28-59, 28-60, 28-78, 28-85, 28-90, 28-91, 28-95 to 28-2477 inclusive, and PA-28-140 with serial numbers 28-20002 to 28-24999 inclusive.		
			C - Used on PA-28-235 airplanes only.		
			D - Used on PA-28-140 with serial numbers 28-25000 and up, PA-28-150, PA-28-160 and PA-28-180 with serial numbers 28-2478 and up.		
			E - Used on PA-28-140 with serial numbers 28-20002 to 28-24999 inclusive, PA-28-150, PA-28-160 and PA-28-180 with serial numbers 28-1 to 28-4377 inclusive, and PA-28-235 with serial numbers 28-10003 to 28-10719 inclusive.		
			F - Used on PA-28-180 with serial numbers 28-4378 and up, PA-28-235 with serial numbers 28-10720 and up, and PA-28-140 with serial numbers 28-7325001 and up.		
			G - Used on PA-28-140 with serial numbers 28-25000 to 28-7225612 inclusive.		
			H - Used on PA-28-140 with serial numbers 28-20002 and up, PA-28-150, PA-28-160 and PA-28-180 with serial numbers 28-1 to 28-7205328 inclusive, and PA-28-235 with serial numbers 28-10003 to 28-7210033 inclusive.		
			J - Used on PA-28-180 with serial numbers 28-7305001 and up, and PA-28-235 with serial numbers 28-7310001 and up.		
			K - Used on PA-28-140, PA-28-150, PA-28-160, PA-28-180 and PA-28-235 airplanes only.		

When ordering, always specify Part Number, Description, and Serial Number of Aircraft

PA-28-140
PA-28-150
PA-28-160
PA-28-180
PA-28-235

PIPER PARTS CATALOG

Figure and Index Number	Part Number	Code	NOMENCLATURE	No. Req.	SERIAL NUMBERS AFFECTED
74 -10	62701-010	E	CABLE - Forward stabilator, left	1	
	62701-113	F	CABLE - Forward stabilator, left	1	
-11	62701-011	E	CABLE - Forward stabilator, right	1	
	62701-114	F	CABLE - Forward stabilator, right	1	
-12	62701-012		CABLE - Aft stabilator, bottom	1	
-13	62701-013		CABLE - Aft stabilator, top	1	
-14	62712-003		BEARING - Inner	1	
-15	62711-002		PULLEY	1	
-16	62713-003		BEARING - Outer	1	
-17	62746-000		BRACKET - Pulley	1	
-18	62762-000		FILLER BLOCK	2	
-19	62714-002	C	BEARING - Inner	1	
-20	62714-003		BEARING - Inner	1	
-21	62743-002		SPACER - Bushing	2	
-22	62743-003		SPACER - Bushing	1	
-23	62743-004		SPACER - Bushing	2	
-24	62743-005		SPACER - Bushing	1	
-25	62743-006		SPACER - Bushing	1	
-26	63900-031		BUSHING	4	
-27	63900-037		BUSHING - Stabilator pulley	2	
-28	62711-003		PULLEY	1	
-28a	62711-003	C	PULLEY	1	
	481-651	D	PULLEY - (MS20220-1)	1	
-29	62715-003	B	BEARING - Outer	1	
	62715-002	A	BEARING - Outer	1	
-30	62715-002		BEARING - Outer	1	
-31	62768-000		FAIRLEAD - Spar box	1	
-32	62769-000		FAIRLEAD - Spar box	1	
			A - Used on PA-28-140 with serial numbers 28-7325001 and up, PA-28-180 with serial numbers 28-4378 and up, and PA-28-235 with serial numbers 28-10720 and up.		
			B - Used on PA-28-140 with serial numbers 28-20002 to 28-7125651 inclusive, 28-7225063 to 28-7225612 inclusive, PA-28-150, PA-28-160 and PA-28-180 with serial numbers 28-1 to 28-4377 inclusive, and PA-28-235 with serial numbers 28-10003 to 28-10719 inclusive.		
			C - Used on PA-28-140 with serial numbers 28-20002 to 28-7125651 inclusive, 28-7225063 and up, PA-28-150, PA-28-160, PA-28-180 and PA-28-235 airplanes.		
			D - Used on PA-28-140 with serial numbers 28-7225001 and up.		
			E - Used on PA-28-140 with serial numbers 28-20002 and up, PA-28-150, PA-28-160 and PA-28-180 with serial numbers 28-1 to 28-7205328 inclusive, and PA-28-235 with serial numbers 28-10003 to 28-7210033 inclusive.		
			F - Used on PA-28-180 with serial numbers 28-7305001 and up, and PA-28-235 with serial numbers 28-7310001 and up.		

PA-28-140
PA-28-150
PA-28-160
PA-28-180
PA-28-235

When ordering, always specify Part Number, Description, and Serial Number of Aircraft

PIPER PARTS CATALOG

Figure and Index Number	Part Number	Code	NOMENCLATURE	No. Req.	SERIAL NUMBERS AFFECTED
74 -33	481-625		PULLEY - (MS20220-2)	1	
-34	401-385		BOLT - (AN5-64A)	1	
	690-628		WASHER - (NAS1149F0563P)	3	
	405-421		NUT - (MS20145-5)	1	
-35	424-054		COTTER PIN - (AN380-2-6)	2	
-36	401-353		BOLT - (AN5-12A)	1	
	690-628		WASHER - (NAS1149F0563P)	1	
	405-421		NUT - (MS20145-5)	1	
-37	415-150		SCREW - (AN526-632R10)	2	
-38	690-619		WASHER - (NAS1149F0532P)	4	
-39	424-052		COTTER PIN - (AN380-2-3)	4	
-40	401-188		BOLT - (AN5-10A)	2	
	690-628		WASHER - (NAS1149F0563P)	2	
	405-421		NUT - (MS20145-5)	2	
-41	424-051		COTTER PIN - (AN380-2-2)	2	
-42	424-055		COTTER PIN - (AN380-2-5)	1	
-43	401-266		BOLT - (AN3-5A)	2	
	690-612		WASHER - (NAS1149F0363P)	2	
	404-526		NUT - (MS20142-3)	2	
-44	690-628		WASHER - (NAS1149F0563P)	2	
-45	400-008		BOLT - (AN4-13A)	1	
	690-611		WASHER - (NAS1149F0463P)	1	
	690-613		WASHER - (NAS1149F0432P)	1	
	404-530		NUT - (MS20142-4)	1	
-46	63882-008		BUSHING - Aileron bellcrank	2	28-1231 and up
-47	63900-031		BUSHING - Aileron bellcrank	2	
-48	690-629		WASHER - (NAS1149F0663P)	4	
-49	401-378		BOLT - (AN5-53A)	1	
	690-628		WASHER - (NAS1149F0563P)	3	
	405-421		NUT - (MS20145-5)	1	
-50	400-458		BOLT - (AN3-33A)	1	28-1 to 28-1230 inclusive
	400-457		BOLT - (AN3-32A)	1	28-1231 and up
	690-612		WASHER - (NAS1149F0363P)	1	
	404-526		NUT - (MS20142-3)	1	
-51	489-910		BARREL - Turnbuckle (MS21251-B5S)	7	
-52	554-979		CUP - (MS21256-1)	14	
-53	400-674		BOLT - Clevis (AN23-12)	4	
	690-612		WASHER - (NAS1149F0363P)	4	
	404-392		NUT - (AN320-3)	4	
	424-051		COTTER PIN - (AN380-2-2)	4	
-54	401-188		BOLT - (AN5-10A)	1	
	690-628		WASHER - (NAS1149F0563P)	1	
	405-421		NUT - (MS20145-5)	1	
-55	424-053		COTTER PIN - (AN380-2-4)	1	
-56	401-354		BOLT - (AN5-13A)	1	
	690-628		WASHER - (NAS1149F0563P)	1	
	405-421		NUT - (MS20145-5)	1	
-57	424-054		COTTER PIN - (AN380-2-6)	1	
-58	494-103		WASHER - Bellcrank (97322)	2	
-59	62710-002		PIN - Cable guard	1	

When ordering, always specify Part Number, Description, and Serial Number of Aircraft

PA-28-140
PA-28-150
PA-28-160
PA-28-180
PA-28-235

PIPER PARTS CATALOG

Figure and Index Number	Part Number	Code	NOMENCLATURE	No. Req.	SERIAL NUMBERS AFFECTED
74 -60	401-318		BOLT - (AN4-20A)	2	
	690-611		WASHER - (NAS1149F0463P)	6	
	690-609		WASHER - (NAS1149F0332P)	4	
	404-530		NUT - (MS21042-4)	2	
	404-392		NUT - (AN320-3)	2	
	424-051		COTTER PIN - (MS24665-132)	2	
-61	62771-000		BELLCRANK ASSEMBLY - Aileron, left	1	
	62771-001		BELLCRANK ASSEMBLY - Aileron, right	1	
-62	62766-000		ROD ASSEMBLY - Aileron	2	
-63	404-322		* NUT - Lock (AN316-4R)	1	
-64	452-334		* BEARING - Rod end	1	
-64a	452-383		* BEARING - Rod end	1	
-65	400-674		BOLT - (AN23-12)	4	
	690-612		WASHER - (NAS1149F0363P)	4	
	690-609		WASHER - (NAS1149F0332P)	4	
	404-392		NUT - (AN320-3)	4	
	424-051		COTTER PIN - (MS24665-132)	4	
-66	400-443		BOLT - (AN3-12A)	2	
	690-612		WASHER - (NAS1149F0363P)	6	
	404-526		NUT - (MS21042-3)	1	
-67	62743-004	A	SPACER - Bushing	1	
-68	63900-026		SPACER - Aileron push rod	1	
-69	62770-000	B	BUSHING - Aileron bellcrank	2	
	65003-004	C	BUSHING - Aileron bellcrank	2	
<p>A - Used on PA-28-140 with serial numbers 28-20002 to 28-7225612 inclusive, PA-28-150, PA-28-160 and PA-28-180 with serial numbers 28-1 to 28-4377 inclusive, and PA-28-235 with serial numbers 28-10003 to 28-10719 inclusive.</p> <p>B - Used on PA-28-150, PA-28-160 and PA-28-180 airplanes only.</p> <p>C - Used on PA-28-150, PA-28-160 and PA-28-180 with serial numbers 28-1231 and up, PA-28-140 and PA-28-235 airplanes.</p>					

When ordering, always specify Part Number, Description, and Serial Number of Aircraft

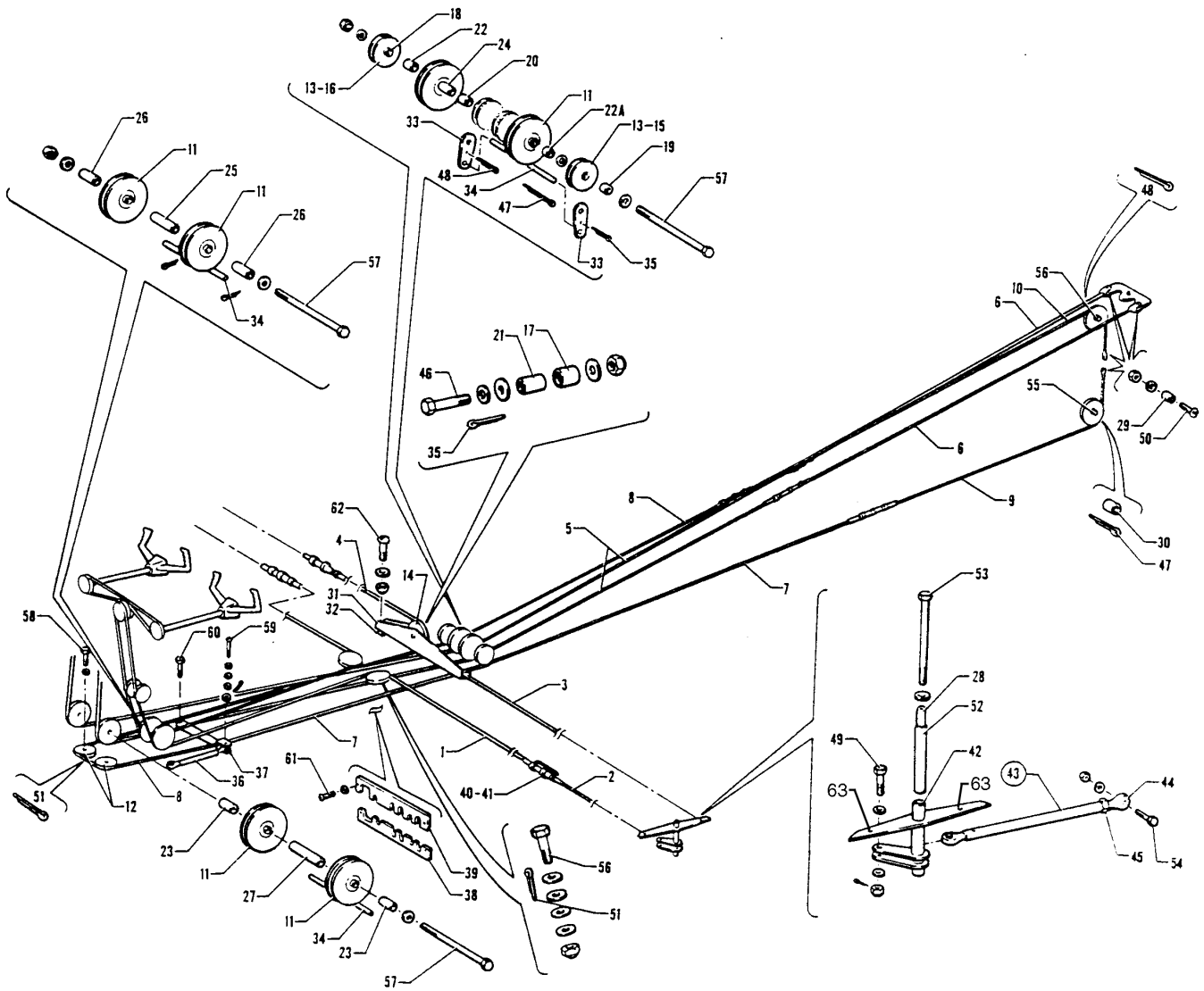


Figure 75. Control System Installation

THIS PAGE INTENTIONALLY LEFT BLANK

PIPER PARTS CATALOG

Figure and Index Number	Part Number	Code	NOMENCLATURE	No. Req.	SERIAL NUMBERS AFFECTED
75-	67018 67016		DRAWING - Control System Installation DRAWING - Wing Assembly		
-1	62701-002	C	CABLE - Aileron, forward	2	
	62701-099	D	CABLE - Aileron, forward	2	
-2	62701-003		CABLE - Aileron, wing	2	
-3	62701-004		CABLE - Aileron balance, left	1	
-4	62701-005		CABLE - Aileron balance, right	1	
-5	62701-006	C	CABLE - Forward rudder	2	
	62701-100	D	CABLE - Forward rudder	2	
-6	62701-064		CABLE - Aft rudder	2	
-7	62701-062	C	CABLE - Forward stabilator, left	1	
	62701-103	D	CABLE - Forward stabilator, left	1	
-8	62701-061	C	CABLE - Forward stabilator, right	1	
	62701-102	D	CABLE - Forward stabilator, right	1	
-9	62701-012		CABLE - Aft stabilator, bottom	1	
-10	62701-013		CABLE - Aft stabilator, top	1	
-11	41001-010		PULLEY - 2-3/4" Diameter	10	
-12	41001-011		PULLEY - 2-1/2" Diameter	2	
-13	62711-003		PULLEY - 1-3/4" Diameter	2	
-14	62711-002		PULLEY - 1-3/4" Diameter	1	
-15	62715-004	A	BEARING - Inner	1	
	62715-005	B	BEARING - Inner	1	
-16	62715-002		BEARING - Inner	1	
-17	62713-003		BEARING - Inner	1	
-18	62714-003		BEARING - Outer	1	
-19	62714-005	A	BEARING - Outer	1	
	62714-006	B	BEARING - Outer	1	
-20	62715-002		BEARING - Outer	1	
-21	62712-003		BEARING - Outer	1	
-22	62743-003		SPACER - Pulley	1	
-22a	62743-003	A	SPACER - Pulley	1	
	690-628	B	WASHER - (NAS1149F0563P)	2	
-23	62743-004		SPACER - Pulley	2	
-24	62743-005		SPACER - Pulley	1	
-25	62743-006		SPACER - Pulley	1	
-26	62743-012		SPACER - Pulley	2	
-27	62743-013		SPACER - Pulley	1	
			A - Used on PA-28R-180 with serial numbers 28R-30005 to 28R-30481 inclusive, 28R-30483 to 28R-31279 inclusive, and PA-28R-200 with serial numbers 28R-30482, 28R-35001 to 28R-35830 inclusive.		
			B - Used on PA-28R-180 with serial numbers 28R-30001 and up, and PA-28R-200 with serial numbers 28R-7135001 and up.		
			C - Used on PA-28R-180 with serial numbers 28R-30005 to 28R-7130019 inclusive, and PA-28R-200 with serial numbers 28R-30482, 28R-35001 to 28R-7135238 inclusive.		
			D - Used on PA-28R-200 with serial numbers 28R-7235001 and up.		

When ordering, always specify Part Number, Description, and Serial Number of Aircraft

PIPER PARTS CATALOG

Figure and Index Number	Part Number	Code	NOMENCLATURE	No. Req.	SERIAL NUMBERS AFFECTED
75 -28	65003-013		BUSHING - Aileron bellcrank	2	
-29	63900-031		BUSHING	6	
-30	63900-037		BUSHING	2	
-31	62746-000		BRACKET - Pulley	1	
-32	62762-000		FILLER BLOCK	2	
-33	62709-000		GUARD - Pin holder	3	
-34	62710-002		PIN - Cable guard	3	
-35	424-055		COTTER PIN - (AN380-2-5)	2	
-36	67108-000		LINK ASSEMBLY - Stabilator control	1	
-37	67066-000		ARM ASSEMBLY - Stabilator idler	1	
-38	67158-000		FAIRLEAD - Spar box	1	
-39	67159-000		FAIRLEAD - Spar box	1	
-40	489-910		BARREL - Turnbuckle (MS21251-B5S)	7	
-41	554-979		CLIP - Turnbuckle (MS21256-1)	14	
-42	67046-000		BELLCRANK ASSEMBLY - Aileron, left	1	
	67046-001		BELLCRANK ASSEMBLY - Aileron, right	1	
-43	62766-000		ROD ASSEMBLY - Aileron	2	
-44	452-334		* BEARING - Rod end	1	
-45	404-322		* NUT - Lock (AN316-4R)	1	
-46	400-008		BOLT - (AN4-13A)	1	
	690-611		WASHER - (NAS1149F0463P)	1	
	407-585		WASHER - (AN960-416L)	1	
	690-628		WASHER - (NAS1149F0563P)	2	
	404-530		NUT - (MS21042-4)	1	
-47	424-054		COTTER PIN - (AN380-2-6)	2	
-48	424-053		COTTER PIN - (AN380-2-4)	2	
-49	400-704	A	BOLT - Clevis (AN24-17)	2	
	402-679	B	BOLT - Clevis (NAS1104-13)	2	
	690-611		WASHER - (NAS1149F0463P)	2	
	690-613		WASHER - (NAS1149F0563P)	2	
	404-393	A	NUT - (AN320-4)	2	
	406-974	B	NUT - (NAS1022-C4)	2	
	424-052	A	COTTER PIN - (AN380-2-3)	2	
-50	400-674		BOLT - Clevis (AN23-12)	6	
	407-564		WASHER - (AN960-10)	8	
	404-392		NUT - (AN320-3)	6	
	424-051		COTTER PIN - (AN380-2-2)	6	
-51	424-052		COTTER PIN - (AN380-2-3)	6	
-52	63882-025		SLEEVE - Aileron bellcrank	2	
-53	400-481		BOLT - (AN3-57A)	2	
	690-612		WASHER - (NAS1149F0363P)	2	
	690-609		WASHER - (NAS1149F0332P)	6	
	404-526		NUT - (MS21042-3)	2	
-54	400-443		BOLT - (AN3-12A)	2	
	407-564		WASHER - (AN960-10)	12	
	404-526		NUT - (MS21042-3)	2	
			A - Used on PA-28R-180 with serial numbers 28R-30005 to 28R-30481 inclusive, 28R-30483 to 28R-30759 inclusive.		
			B - Used on PA-28R-180 with serial numbers 28R-30760 and up, and PA-28R-200 with serial numbers 28R-30482, 28R-35001 and up.		

When ordering, always specify Part Number, Description, and Serial Number of Aircraft

PIPER PARTS CATALOG

Figure and Index Number	Part Number	Code	NOMENCLATURE	No. Req.	SERIAL NUMBERS AFFECTED
75 -55	401-354		BOLT - (AN5-13A)	1	
	690-628		WASHER - (NAS1149F0563P)	1	
	404-889		NUT - (MS20365-524C)	1	
	401-188		BOLT - (AN5-10A)	3	
-56	407-566		WASHER - (AN960-516)	3	
	404-889		NUT - (MS20365-524C)	3	
-57	401-385		BOLT - (AN5-64A)	3	
	690-628		WASHER - (NAS1149F0563P)	6	
	404-889		NUT - (MS20365-524C)	3	
	401-189		BOLT - (AN5-11A)	2	
-58	690-628		WASHER - (NAS1149F0563P)	4	
	400-686		BOLT - Clevis (AN23-24)	1	
-59	690-612		WASHER - (NAS1149F0363P)	2	
	690-609		WASHER - (NAS1149F0332P)	3	
	404-392		NUT - (AN320-3)	1	
	424-051		COTTER PIN - (AN380-2-2)	1	
-60	400-444		BOLT - (AN3-13A)	1	
-61	415-150		SCREW - (AN526-632R10)	2	
	690-640		WASHER - (NAS1149FN632P)	2	
-62	401-266		BOLT - (AN3-5A)	2	
	690-612		WASHER - (NAS1149F0363P)	2	
	404-526		NUT - (MS20142-3)	2	
	690-612		WASHER - (NAS1149F0363P)	4	
-63	424-051		COTTER PIN - (AN380-2-2)	2	
	404-392		NUT - (AN320-3)	2	
	400-674		CLEVIS BOLT - (AN23-12)	2	

When ordering, always specify Part Number, Description, and Serial Number of Aircraft

THIS PAGE INTENTIONALLY LEFT BLANK

PIPER PARTS CATALOG

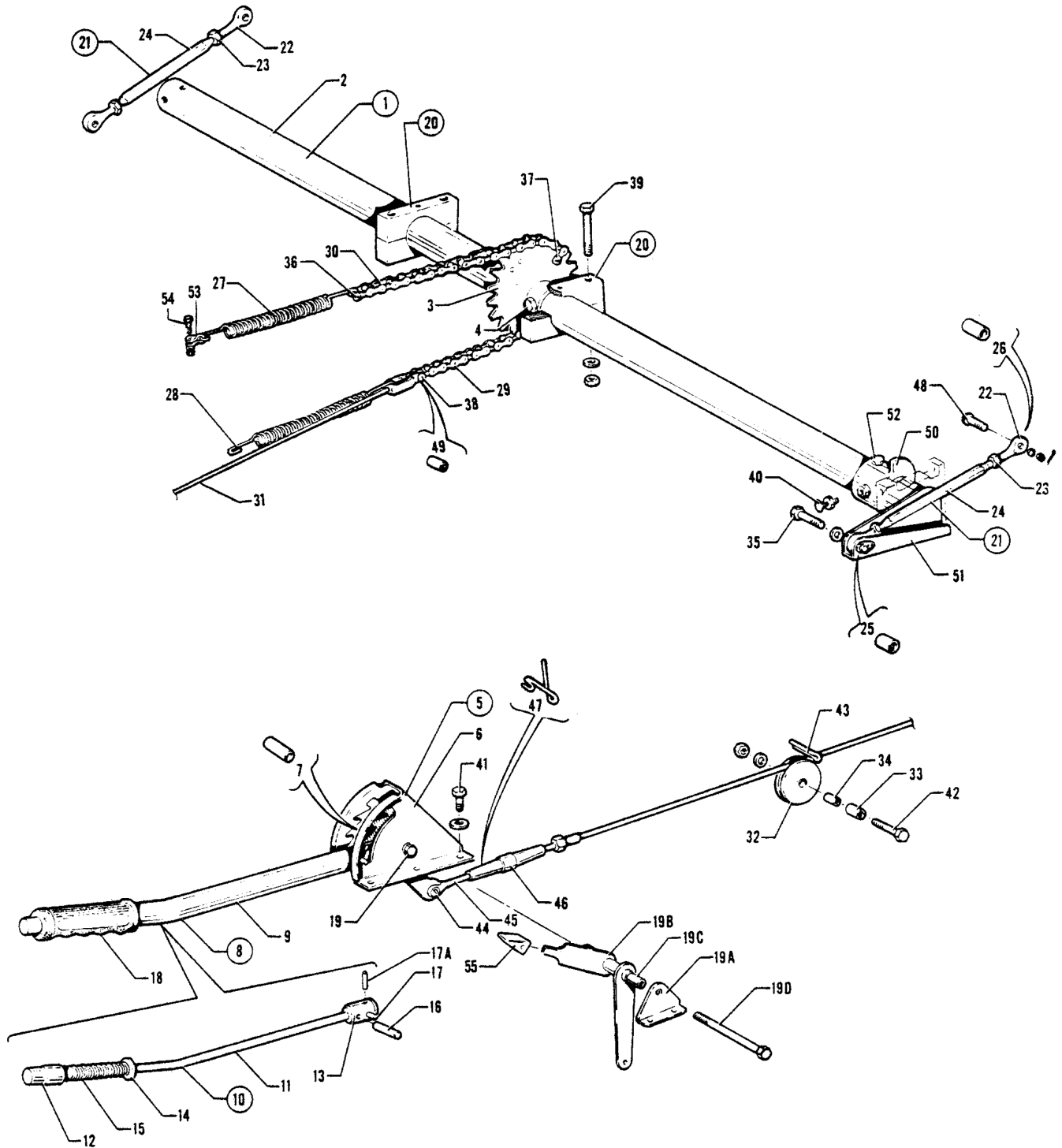


Figure 76. Flap Control Installation

THIS PAGE INTENTIONALLY LEFT BLANK

PIPER PARTS CATALOG

Figure and Index Number	Part Number	Code	NOMENCLATURE	No. Req.	SERIAL NUMBERS AFFECTED
76-	62700 65580 67018 66697	C D E G	DRAWING - Control System Installation DRAWING - Control System Installation DRAWING - Control System Installation DRAWING - Control System Installation		28-25000 to 28-7225612 incl.
-1	62705-000		FLAP TORQUE TUBE ASSEMBLY - Complete	1	
-2	62725-000		* TORQUE TUBE - Flap	1	
-3	62789-002		* SPROCKET ASSEMBLY - Flap torque tube	1	
-4	400-012		* BOLT - (AN4-17A)	2	
	690-611		* WASHER - (NAS1149F0463P)	2	
	404-530		* NUT - (MS21042-4)	2	
-5	62706-000	H	LEVER ASSEMBLY - Flap control	1	
	62706-003	G	LEVER ASSEMBLY - Flap control	1	28-7125088 to 28-7225612 incl.
	62706-002	A	LEVER ASSEMBLY - Flap control	1	
	62706-004	B	LEVER ASSEMBLY - Flap control	1	28-7105001 to 28-7105043 incl.
	62706-006	K	LEVER ASSEMBLY - Flap control	1	
	67582-000	J	LEVER ASSEMBLY - Flap control and emergency gear extender	1	
	67582-002	F	LEVER ASSEMBLY - Flap control and emergency gear extender	1	28R-7135001 to 28R-7135016 incl.
	67582-003	L	LEVER ASSEMBLY - Flap control and emergency gear extender	1	
			A - Used on PA-28-180 with serial numbers 28-4378 to 28-5869 inclusive, and PA-28-235 with serial numbers 28-10720 to 28-11393 inclusive. B - Used on PA-28-180 airplanes only. C - Used on PA-28-140 with serial numbers 28-20002 to 28-24999 inclusive, PA-28-150, PA-28-160 and PA-28-180 with serial numbers 28-1 to 28-4377 inclusive, and PA-28-235 with serial numbers 28-10003 to 28-10719 inclusive. D - Used on PA-28-140 with serial numbers 28-7325001 and up, PA-28-180 with serial numbers 28-4378 and up, and PA-28-235 with serial numbers 28-10720 and up. E - Used on PA-28R-180 and PA-28R-200 airplanes only. F - Used on PA-28R-200 airplanes only. G - Used on PA-28-140 airplanes only. H - Used on PA-28-140 with serial numbers 28-20002 to 28-7125087 inclusive, PA-28-150, PA-28-160 and PA-28-180 with serial numbers 28-1 to 28-4377 inclusive, and PA-28-235 with serial numbers 28-10003 to 28-10719 inclusive. J - Used on PA-28R-180 with serial numbers 28R-30005 to 28R-31279 inclusive, and PA-28R-200 with serial numbers 28R-30482, 28R-35001 to 28R-35830 inclusive. K - Used on PA-28-140 with serial numbers 28-7325001 and up, PA-28-180 with serial numbers 28-7105044 and up, and PA-28-235 with serial numbers 28-7110001 and up. L - Used on PA-28R-180 with serial numbers 28R-7130001 and up, and PA-28R-200 with serial numbers 28R-7135017 and up.		

When ordering, always specify Part Number, Description, and Serial Number of Aircraft

PIPER PARTS CATALOG

Figure and Index Number	Part Number	Code	NOMENCLATURE	No. Req.	SERIAL NUMBERS AFFECTED	
76 -6	62738-000	J	BRACKET - Flap lever	1		
	62738-002	G	BRACKET - Flap lever	1	28-7125001 to 28-7125087 incl.	
	95504-000	G	BRACKET - Flap lever	1	28-7125088 to 28-7225612 incl.	
	65654-000	D	BRACKET ASSEMBLY - Flap lever	1		
	65654-003	H	BRACKET ASSEMBLY - Flap lever	1	28-7105001 to 28-7105043 incl.	
	65654-002	C	BRACKET ASSEMBLY - Flap lever	1		
	65654-006	K	BRACKET ASSEMBLY - Flap lever	1		
	65654-004	E	BRACKET ASSEMBLY - Flap lever	1	28R-7135001 to 28R-7135016 incl.	
	65654-005	B	BRACKET ASSEMBLY - Flap lever	1		
	-7	62740-000	F	BUSHING - Flap lever	1	
		62737-000	A	HANDLE ASSEMBLY - Flap lever	1	
	-8	63782-000	M	HANDLE ASSEMBLY - Flap lever	1	
		63782-004	L	HANDLE ASSEMBLY - Flap lever	1	
			A - Used on PA-28-140 with serial numbers 28-20002 to 28-21095 inclusive, PA-28-150, PA-28-160 and PA-28-180 with serial numbers 28-1 to 28-2427 inclusive, and PA-28-235 with serial numbers 28-10003 to 28-10719 inclusive.			
			8 - Used on PA-28R-180 with serial numbers 28R-7130001 and up, and PA-28R-200 with serial numbers 28R-7135017 and up.			
			C - Used on PA-28R-180 with serial numbers 28R-30254 to 28R-31279 inclusive, and PA-28R-200 with serial numbers 28R-30482, 28R-35001 to 28R-35830 inclusive.			
			D - Used on PA-28-180 with serial numbers 284378 to 28-5869 inclusive, PA-28-235 with serial numbers 28-10720 to 28-11393 inclusive, and PA-28R-180 with serial numbers 28R-30005 to 28R-30253 inclusive.			
			E - Used on PA-28R-200 airplanes only.			
			F - Used on PA-28-140, PA-28-150, PA-28-160, PA-28-180 and PA-28-235 airplanes only.			
			G - Used on PA-28-140 airplanes only.			
			H - Used on PA-28-180 airplanes only.			
			J - Used on PA-28-140 with serial numbers 28-20002 to 28-26956 inclusive, PA-28-150, PA-28-160 and PA-28-180 with serial numbers 28-1 to 28-4377 inclusive, and PA-28-235 with serial numbers 28-10003 to 28-10719 inclusive.			
			K - Used on PA-28-140 with serial number 28-7325001 and up, PA-28-180 with serial numbers 28-7105044 and up, and PA-28-235 with serial numbers 28-7110001 and up.			
			L - Used on PA-28-140 with serial numbers 28-7125088 and up, PA-28-180 with serial numbers 28-7105044 and up, PA-28-235 with serial numbers 28-7110001 and up, PA-28R-180 with serial numbers 28R-7130001 and up, and PA-28R-200 with serial numbers 28R-7135017 and up.			
			M - Used on PA-28-140 with serial numbers 28-21096 so 28-7125087 inclusive, PA-28-150, PA-28-160 and PA-28-180 with serial numbers 28-2428 to 28-7105043 inclusive, PA-28-235 with serial numbers 28-10720 to 28-11393 inclusive, PA-28R-180 with serial numbers 28R-30005 to 28R-31279 inclusive, and PA-28R-200 with serial numbers 28R-30482 28R-35001 to 28R-7135016 inclusive.			

When ordering, always specify Part Number, Description, and Serial Number of Aircraft

PIPER PARTS CATALOG

Figure and Index Number	Part Number	Code	NOMENCLATURE	No. Req.	SERIAL NUMBERS AFFECTED
76 -9	62731-000	A	* TUBE ASSEMBLY - Flap lever	1	
	63781-000	B	* TUBE ASSEMBLY - Flap lever	1	
-10	62732-000	A	* PLUNGER ASSEMBLY - Flap lever	1	
	63391-000	C	* PLUNGER ASSEMBLY - Flap lever	1	
	63391-003	D	* PLUNGER ASSEMBLY - Flap lever	1	
-11	62732-002	A	** TUBE - Plunger	1	
	63391-002	B	** TUBE - Plunger	1	
-12	62733-000		** PLUG - Plunger, upper	1	
-13	62734-000		** PLUG - Plunger, lower (.190 pin hole)	1	
	62734-002		** PLUG - Plunger, lower (.252 pin hole)	1	
-14	62736-000		** WASHER	1	
-15	50111-00		** SPRING	1	
-16	480-696		** PIN - Roll (59-022-094-0625)	2	
-17	480-715		* PIN - Roll (59-040-187-1500)	1	
	63782-003		* PIN - Solid (.250 diameter)	1	
-17a	480-733		* PIN - Roll (79-012-062-0375) 3/8" long	1	
	480-698		* PIN - Roll (59-012-062-0625) 5/8" long	1	
-18	63779-000	B	* GRIP - Flap lever	1	
-19	401-274	F	BOLT - (AN3-15A)	1	
	690-612	F	WASHER - (NAS1149F0363P)	2	
	404-526	F	NUT - (MS21042-3)	1	
-19a	67564-000	E	BRACKET - Emergency gear lever	1	
-19b	67566-000	E	LEVER ASSEMBLY - Emergency gear extender	1	
-19c	63900-099	E	BUSHING - Flap and emergency gear lever	1	
-19d	400-462	E	BOLT - (AN3-37A)	1	
	690-612	E	WASHER - (NAS1149F0363P)	2	
	404-526	E	NUT - (MS21042-3)	1	
			A - Used on PA-28-140 with serial numbers 28-20002 to 28-21095 inclusive, PA-28-150, PA-28-160 and PA-28-180 with serial numbers 28-1 to 28-2427 inclusive, and PA-28-235 with serial numbers 28-10003 to 28-10719 inclusive.		
			B - Used on PA-28-140 with serial numbers 28-21096 and up, PA-28-150, PA-28-160 and PA-28-180 with serial numbers 28-2428 and up, PA-28-235 with serial number 28-10720 and up, PA-28R-180 and PA-28R-200 airplanes.		
			C - Used on PA-28-140 with serial numbers 28-21096 to 28-7125087 inclusive, PA-28-150, PA-28-160 and PA-28-180 with serial numbers 28-2428 to 28-7105043 inclusive, PA-28-235 with serial numbers 28-10720 to 28-11393 inclusive, PA-28R-180 with serial numbers 28R-30005 to 28R-31279 inclusive, and PA-28R-200 with serial numbers 28R-30482, 28R-35001 to 28R-7135016 inclusive.		
			D - Used on PA-28-140 with serial numbers 28-7125088 and up, PA-28-180 with serial numbers 28-7105044 and up, PA-28-235 with serial numbers 28-7110001 and up, PA-28R-180 with serial numbers 28R-7130001 and up, and PA-28R-200 with serial numbers 28R-7135017 and up.		
			E - Used on PA-28R-180 and PA-28R-200 airplanes only.		
			F - Used on PA-28-140, PA-28-150, PA-28-160, PA-28-180 and PA-28-235 airplanes only.		

When ordering, always specify Part Number, Description, and Serial Number of Aircraft

PIPER PARTS CATALOG

Figure and Index Number	Part Number	Code	NOMENCLATURE	No. Req.	SERIAL NUMBERS AFFECTED
76 -20	62745-000	C	PILLOW BLOCK ASSEMBLY - Torque shaft support	2	
	35402-000	D	CLAMP ASSEMBLY - Torque shaft support	2	
-21	62764-000		ROD ASSEMBLY - Flap tube	2	
-22	452-335		* BEARING - (F34-14 RH Thread)	1	
	452-336		* BEARING - (FL34-14 LH Thread)	1	
-23	404-322		* NUT - (AN316-4R RH Thread)	1	
	404-320		* NUT - (AN316-4L LH Thread)	1	
-24	62764-002		* TUBE - Flap	1	
-25	63900-038		BUSHING - Flap bellcrank	2	
-26	63900-039		BUSHING - Flap rod end	2	
-27	62820-000		SPRING - Flap return	1	
-28	62821-000		SPRING - Flap cable tension	1	
-29	593-101		DRIVE CHAIN RS37 (43)	1	
-30	593-101		DRIVE CHAIN RS37 (43)	1	
-31	62701-014	A	CABLE ASSEMBLY - Flap	1	
	62701-101	B	CABLE ASSEMBLY - Flap	1	
-32	62711-002		PULLEY - Flap	1	
-33	62713-002		BEARING - Outer	1	
-34	62712-002		BEARING - Inner	1	
-35	400-443		BOLT - (AN3-12A)	2	
	690-612		WASHER - (NAS1149F0363P)	2	
-36	400-652		BOLT - (AN21-8)	1	
	690-640		WASHER - (NAS1149FN632P)	1	
	404-391		NUT - (AN320-1)	1	
	424-041		COTTER PIN - (AN380-1-2)	1	
-37	400-653		BOLT - Clevis (AN21-9)	2	
	690-640		WASHER - (NAS1149FN632P)	4	
	404-391		NUT - (AN320-1)	2	
	424-041		COTTER PIN - (AN380-1-2)	2	
			<p>A - Used on PA-28-140 with serial numbers 28-20002 and up, PA-28-150, PA-28-160 and PA-28-180 with serial numbers 28-1 to 28-7205328 inclusive, PA-28R-180 with serial numbers 28R-30005 to 28R-7130019 inclusive, PA-28-235 with serial numbers 28-10003 to 28-7210033 inclusive, and PA-28R-200 with serial numbers 28R-30482, 28R-35001 to 28R-7135238 inclusive.</p> <p>B - Used on PA-28-180 with serial numbers 28-7305001 and up, PA-28-235 with serial numbers 28-7310001 and up, and PA-28R-200 with serial numbers 28R-7235001 and up.</p> <p>C - Used on PA-28-140 with serial numbers 28-20002 and up, PA-28-150, PA-28-160 and PA-28-180 with serial numbers 28-1 to 28-7305611 inclusive, PA-28-235 with serial numbers 28-10003 to 28-7310187 inclusive, PA-28R-180 with serial numbers 28R-30005 to 28R-7130019 inclusive, and PA-28R-200 with serial numbers 28R-30482, 28R-35001 to 28R-7335455 inclusive.</p> <p>D - Used on PA-28-180 with serial numbers 28-7405001 and up, PA-28-235 with serial numbers 28-7410001 and up, and PA-28R-200 with serial numbers 28R-7435001 and up.</p>		

When ordering, always specify Part Number, Description, and Serial Number of Aircraft

PIPER PARTS CATALOG

Figure and Index Number	Part Number	Code	NOMENCLATURE	No. Req.	SERIAL NUMBERS AFFECTED
76 -38	400-653		BOLT - Clevis (AN21-9)	1	
	404-391		NUT - (AN320-1)	1	
	424-041		COTTER PIN - (AN380-1-2)	1	
-39	400-448	A	BOLT - (AN3-22A)	4	
	400-440	B	BOLT - (AN3-6A)	4	
	690-612		WASHER - (NAS1149F0363P)	4	
	404-526		NUT - (MS21042-3)	4	
-40	417-781		SCREW - (AN520-10R24)	2	
	404-224		NUT - (AN315-3R)	2	
-41	400-438		BOLT - (AN3-4A)	6	
	690-612		WASHER - (NAS1149F0363P)	6	
	404-526		NUT - (MS21042-3)	6	
-42	400-004		BOLT - (AN4-7A)	1	
	690-613		WASHER - (NAS1149F0432P)	1	
	404-530		NUT - (MS21042-4)	1	
-43	424-052		COTTER PIN - (AN380-2-3)	1	
-44	400-673	C	BOLT - Clevis (AN23-11)	1	
	690-612	C	WASHER - (NAS1149F0363P)	1	
	63900-174	C	BUSHING	1	
	404-392	C	NUT - (AN320-3)	1	
	424-051	C	COTTER PIN - (AN380-2-2)	1	
-45	461-136		FORK - (NAS645-22RS)	1	
-46	489-910		BARREL - (MS21251-B5S)	1	
-47	554-979		CUP - (MS21256-1)	2	
-48	400-680		CLEVIS BOLT- (AN23-18)	2	
	690-612		WASHER - (NAS1149F0363P)	2	
	404-100		NUT - Castle (AN310-3)	2	
	424-051		COTTER PIN - (MS24665-132)	2	
-49	82732-076		BUSHING	1	
-50	62730-000		FITTING ASSEMBLY - Left	1	28-1 to 28-690 inclusive
	62730-001		FITTING ASSEMBLY - Right	1	28-1 to 28-690 inclusive
	62856-000		FITTING ASSEMBLY - Left	1	28-691 and up
	62856-001		FITTING ASSEMBLY - Right	1	28-691 and up
-51	62727-000		TUBE ASSEMBLY - Flap torque tube, left	1	
	62727-001		TUBE ASSEMBLY - Flap torque tube, right	1	
-52	401-318		BOLT - (AN4-20A)	4	
	690-611		WASHER - (NAS1149F0463P)	4	
	404-530		NUT - (MS21042-4)	4	
-53	486-563		SHACKLE - (AN115-16)	1	
<p>A - Used on PA-28-140 with serial numbers 28-20002 and up, PA-28-150, PA-28-160 and PA-28-180 with serial numbers 28-1 to 28-7205328 inclusive, PA-28R-180 with serial numbers 28R-30005 to 28R-7130019 inclusive, PA-28-235 with serial numbers 28-10003 to 28-7210033 inclusive, and PA-28R-200 with serial numbers 28R-30482, 28R-35001 to 28R-7135238 inclusive.</p> <p>B - Used on PA-28-180 with serial numbers 28-7305001 and up, PA-28-235 with serial numbers 28-7310001 and up, and PA-28R-200 with serial numbers 28R-7235001 and up.</p> <p>C - See latest revision of Piper Service Bulletin 965.</p>					

When ordering, always specify Part Number, Description, and Serial Number of Aircraft

PIPER PARTS CATALOG

Figure and Index Number	Part Number	Code	NOMENCLATURE	No. Req.	SERIAL NUMBERS AFFECTED
76 -54	401-266 690-612 404-526		BOLT - (AN3-5A) WASHER - (NAS1149F0363P) NUT - (MS21042-3)	1 1 1	
-55	22287-003 66980-002	A B	KNOB ASSEMBLY - Emergency gear lever KNOB - Emergency gear lever	1 1	
<p>A - Used on PA-28R-180 with serial numbers 28R-30005 to 28R-30481 inclusive, 28R-30483 to 28R-31250 inclusive, and PA-28R-200 with serial numbers 28R-30482, 28R-35001 to 28R-35600 inclusive.</p> <p>B - Used on PA-28R-180 with serial numbers 28R-31251 and up, and PA-28R-200 with serial numbers 28R-35601 and up.</p>					

When ordering, always specify Part Number, Description, and Serial Number of Aircraft

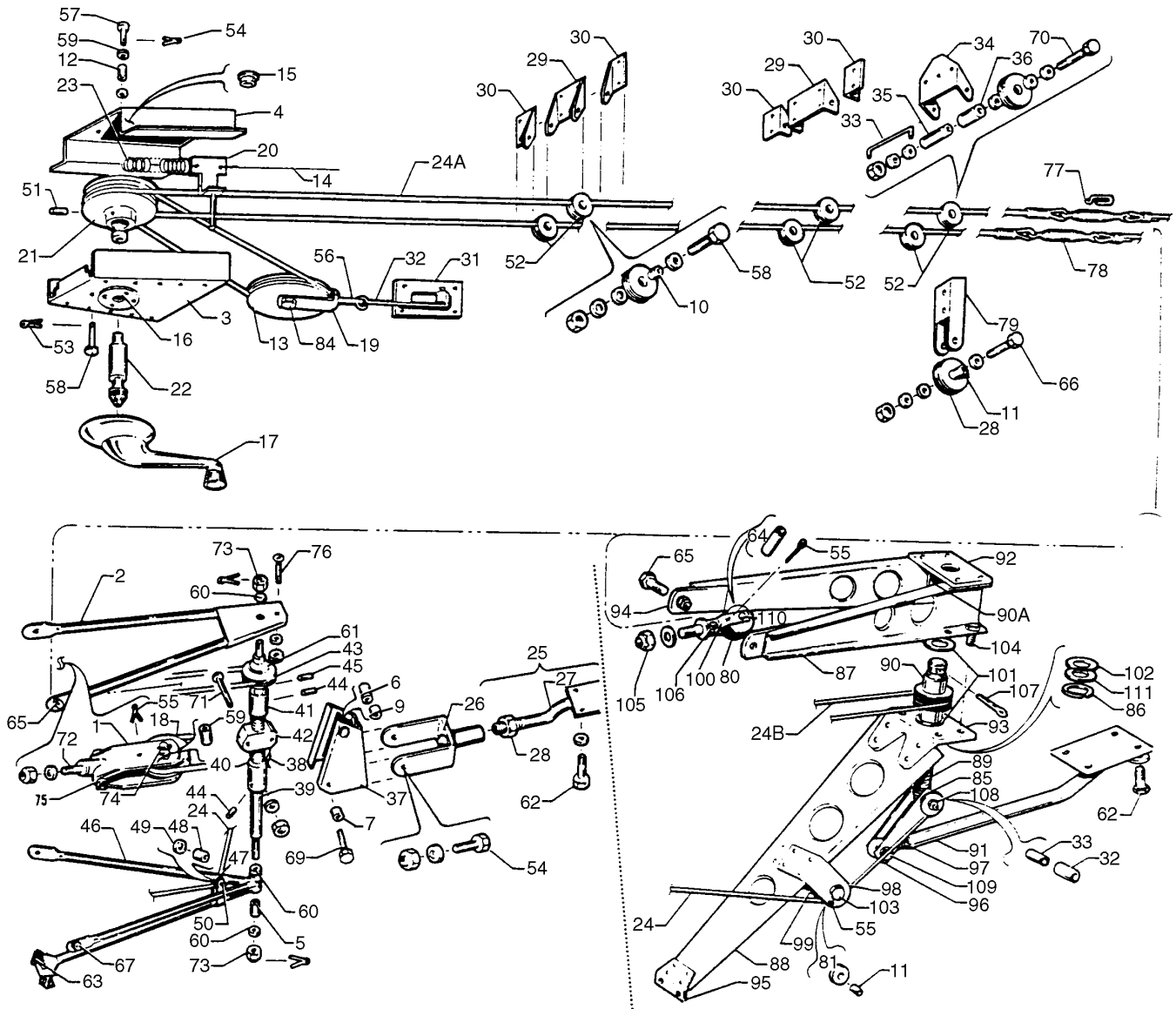


Figure 77. Stabilator Trim Installation
 (PA-28-140 - Serial Nos. 28-20002 to 28-7225612 inclusive)
 (PA-28-150-160-180 - Serial Nos. 28-1 to 28-4377 inclusive)
 (PA-28-235 - Serial Nos. 28-10003 to 28-10719 inclusive)

PA-28-140
 PA-28-150
 PA-28-160
 PA-28-180
 PA-28-235

THIS PAGE INTENTIONALLY LEFT BLANK

PIPER PARTS CATALOG

Figure and Index Number	Part Number	Code	NOMENCLATURE	No. Req.	SERIAL NUMBERS AFFECTED
77-	62707 63776 62708 65258	D E F B	DRAWING - Forward Stabilator Trim Installation DRAWING - Forward Stabilator Trim Installation DRAWING - Stabilator Trim Installation DRAWING - Stabilator Trim Installation		
-1	63219-000	C,F	BRACKET ASSEMBLY- Pulley	2	28-1 to 28-370 inclusive
-2	62814-000	F	FORK ASSEMBLY - Trim, upper	1	
-3	62757-000		SUPPORT - Trim crank, lower	1	
-4	62759-000		SUPPORT - Trim crank, upper	1	
-5	63900-010		BUSHING	1	
-6	63900-012	F	BUSHING	1	
-7	63900-013	F	BUSHING	1	
-8	63900-021	F	BUSHING	1	
-9	63900-016	F	BUSHING	1	
-10	63900-021		BUSHING	5	
-11	63900-027		BUSHING	1	
-12	63900-029		BUSHING	1	
-13	80421-000		PULLEY	1	
-14	151-310		WIRE - Trim indicator	1	
-15	452-374		BEARING - (F-427)	1	
-16	452-372		BEARING - (F-504-2)	1	
-17	464-023		HANDLE - (80A-3)	1	
-18	11200-000	F	PULLEY	1	
-19	11692-005		BRACKET	1	
-20	17442-000		TEE ASSEMBLY - Trim indicator	1	
-21	62844-000		PULLEY - Double trim	1	
-22	20908-000		SHAFT - Stabilator trim	1	
-23	42891-000		SPRING	1	
			A - Used on PA-28-140 with serial numbers 28-20002 to 28-7225612 inclusive, PA-28-150, PA-28-160 and PA-28-180 with serial numbers 28-1 to 28-4377 inclusive, and PA-28-235 with serial numbers 28-10003 to 28-10719 inclusive.		
			B - Used on PA-28-150, PA-28-160 and PA-28-180 airplanes with serial numbers 28-1411 to 28-4377 inclusive, PA-28-235 with serial numbers 28-10003 to 28-10719 inclusive, and all PA-28-140 airplanes.		
			C - When replacing one piece bracket, order two of part number 63219-000.		
			D - Used on PA-28-140 with serial numbers 28-20002 to 28-20656 inclusive, PA-28-150, PA-28-160 and PA-28-180 with serial numbers 28-1 to 28-2171 inclusive, and PA-28-235 with serial numbers 28-10003 to 28-10605 inclusive.		
			E - Used on PA-28-140 with serial numbers 28-20657 and up, PA-28-150, PA-28-160 and PA-28-180 with serial numbers 28-2172 to 28-4377 inclusive, and PA-28-235 with serial numbers 28-10606 to 28-10719 inclusive.		
			F - Used on PA-28-150, PA-28-160 and PA-28-180 airplanes with serial numbers 28-1 to 28-1410 inclusive.		

When ordering, always specify Part Number, Description, and Serial Number of Aircraft

PA-28-140
PA-28-150
PA-28-160
PA-28-180
PA-28-235

PIPER PARTS CATALOG

Figure and Index Number	Part Number	Code	NOMENCLATURE	No. Req.	SERIAL NUMBERS AFFECTED
77 -24	62701-016		CABLE - Stabilator trim indicator, aft (54")	1	
-24a	62701-015	C,D	CABLE - Stabilator trim (394.50")	1	
	62701-032	B,C	CABLE - Stabilator trim (418")	1	
	62701-045	E	CABLE - Stabilator trim, forward (224.80")	1	
-24b	62701-047	E	CABLE - Stabilator trim, aft (224.75")	1	
-25	62708-002	D	BRACKET ASSEMBLY - Stabilator trim	1	
-26	62800-000	D	* FORK ASSEMBLY - Trim	1	
-27	62801-000	D	* ROD ASSEMBLY - Trim	1	
-28	404-229	D	* CHECK NUT - (AN315-8R)	1	
-29	62747-000		CHANNEL - Stabilator trim	2	
-30	62748-000		ANGLE - Stabilator trim	4	
-31	62749-000		PLATE	1	
-32	62750-000		PIN	1	
-33	62752-000		GUARD - Cable	1	
-34	62753-000		BRACKET - Stabilator trim pulley	1	
-35	62754-000		BUSHING - Stabilator trim	1	
-36	62755-000		SPACER - Stabilator trim	1	
-37	62802-000	D	BRACKET - Trim	1	
-38	62803-000	D	SHAFT ASSEMBLY - Trim	1	
-39	62804-000	D	* SHAFT - Trim	1	
-40	62805-000	D	* STOP - Trim shaft, lower	1	
-41	62806-000	D	* STOP - Trim shaft, upper	1	
-42	62807-000	D	* TRUNNION - Trim	1	
-43	62808-000	D	* PULLEY - Trim shaft	1	
-44	480-714	D	* ROLL PIN - (59-022-094-0560)	2	
-45	480-696	D	* ROLL PIN - (59-022-094-0625)	1	
-46	62809-000	D	FORK ASSEMBLY - Trim, lower	1	
-47	62711-004	D	* PULLEY	1	
-48	63900-027	D	* BUSHING	1	
-49	690-611	D	* WASHER - (NAS1149F0463P)	2	
-50	400-441	D	* BOLT - (AN3-7A)	1	
	690-609	D	* WASHER - (NAS1149F0332P)	1	
	404-156	BE	NUT - (MS21083N)	1	
			A - Used on PA-28-140 with serial numbers 28-20002 to 28-7225612 inclusive, PA-28-150, PA-28-160 and PA-28-180 with serial numbers 28-1 to 28-4377 inclusive, and PA-28-235 with serial numbers 28-10003 to 28-10719 inclusive.		
			B - Used on PA-28-140 with serial numbers 28-20002 to 28-20656 inclusive, PA-28-235 with serial numbers 28-10003 to 28-10605 inclusive, and PA-28-150, PA-28-160 and PA-28-180 with serial numbers 28-1411 to 28-2171 inclusive.		
			C - Order part number 62701-045 (Forward Trim Cable) and part number 67701-047 (Aft Trim Cable) if Kit 756-896 or 756-930 has been installed.		
			D - Used on PA-28-150, PA-28-160 and PA-28-180 airplanes with serial numbers 28-1 to 28-1410 inclusive.		
			E - Used on PA-28-140 with serial numbers 28-20657 and up, PA-28-150, PA-28-160 and PA-28-180 with serial numbers 28-2172 to 28-4377 inclusive, and PA-28-235 with serial numbers 28-10606 to 28-10719 inclusive.		

PA-28-140
PA-28-150
PA-28-160
PA-28-180
PA-28-235

When ordering, always specify Part Number, Description, and Serial Number of Aircraft

PIPER PARTS CATALOG

Figure and Index Number	Part Number	Code	NOMENCLATURE	No. Req.	SERIAL NUMBERS AFFECTED
77 -51	480-713		ROLL PIN - (59-022-094-0680)	1	
-52	62711-004		PULLEY - Stabilator trim	7	
-53	424-051		COTTER PIN - (MS24665-132)	1	
-54	424-051		COTTER PIN - (MS24665-132)	1	
-55	424-052	C	COTTER PIN - (AN380-2-3)	2	
	424-096	B	COTTER PIN - (AN380-C-2-3)	2	
-56	424-148		PIN - Flat head (AN392-23)	1	
-57	424-153		PIN - Flat head (AN392-31)	1	
-58	424-155		PIN - Flat head (AN392-35)	1	
-59	690-668		WASHER - (NAS1149FN432P)	1	
-60	690-613	C	WASHER - (NAS1149F0432P)	3	
-61	690-619	C	WASHER - (NAS1149F0532P)	1	
-62	400-437		BOLT - (AN3-3A)	4	
	690-609		WASHER - (NAS1149F0332P)	4	
-63	400-438	C	BOLT - (AN3-4A)	2	
	690-612	C	WASHER - (NAS1149F0363P)	2	
	404-526	C	NUT - (MS21042-3)	2	
-64	401-266	C	BOLTS - (AN3-5A)	2	
	690-609	C	WASHER - (NAS1149F0332P)	6	
	404-526	C	NUT - (MS21042-3)	2	
-65	401-266		BOLT - (AN3-5A)	2	
	494-066		WASHER - (K-19001-3)	2	
	406-551		NUT - (H19000-3)	2	
-66	400-441		BOLT - (AN3-7A)	2	
	690-612		WASHER - (NAS1149F0363P)	4	
	404-526	C	NUT - (MS21042-3)	2	
-67	400-441	C	BOLT - (AN3-7A)	2	
	690-609	C	WASHER - (NAS1149F0332P)	2	
	404-526	C	NUT - (MS21042-3)	2	
-68	400-441		BOLT - (AN3-7A)	4	
	690-613		WASHER - (NAS1149F0432P)	8	
	690-612		WASHER - (NAS1149F0363P)	4	
	404-526		NUT - (MS21042-3)	4	
-69	400-446	C	BOLT - (AN3-16A)	1	
	690-609	C	WASHER - (NAS1149F0332P)	1	
	404-526	C	NUT - (MS21042-3)	1	
-70	400-449		BOLT - (AN3-24A)	1	
	690-609		WASHER - (NAS1149F0332P)	5	
	404-526		NUT - (MS21042-3)	1	
			A - Used on PA-28-140 with serial numbers 28-20002 to 28-7225612 inclusive, PA-28-150, PA-28-160 and PA-28-180 with serial numbers 28-1 to 28-4377 inclusive, and PA-28-235 with serial numbers 28-10003 to 28-10719 inclusive.		
			B - Used on PA-28-140 with serial numbers 28-20002 to 28-20656 inclusive, PA-28-150, PA-28-160 and PA-28-180 with serial numbers 28-1411 to 28-211 inclusive, and PA-28-235 with serial numbers 28-10003 to 28-10605 inclusive.		
			C - Used on PA-28-150, PA-28-160 and PA-28-180 airplanes with serial numbers 28-1 to 28-1410 inclusive.		

When ordering, always specify Part Number, Description, and Serial Number of Aircraft

PA-28-140
PA-28-150
PA-28-160
PA-28-180
PA-28-235

PIPER PARTS CATALOG

Figure and Index Number	Part Number	Code	NOMENCLATURE	No. Req.	SERIAL NUMBERS AFFECTED
77 -71	400-664	D	BOLT - (AN21-19)	1	
	690-640	D	WASHER - (NAS1149FN632P)	1	
	404-885	D	NUT - (AN365-640)	1	
-72	402-032	D	BOLT - (AN42B-5)	1	
	690-612	D	WASHER - (NAS1149F0363P)	1	
	404-526	D	NUT - (MS21042-3)	1	
-73	404-101	D	NUT - (AN310-4)	2	
	424-052	D	COTTER PIN - (AN380-2-3)	2	
-74	424-177	D	PIN - (AN393-17)	1	
	690-613	D	WASHER - (NAS1149F0432P)	2	
	424-051	D	COTTER PIN - (AN380-2-2)	1	
-75	401-266		BOLT - (AN3-5A)	1	
	690-609		WASHER - (NAS1149F0332P)	2	
	404-526		NUT - (MS21042-3)	1	
-76	415-450	D	SCREW - (AN526-832R10)	1	
	690-640	D	WASHER - (NAS1149FN632P)	1	
	404-528	D	NUT - (MS21042-06)	1	
-77	554-979		CLIP - Turnbuckle safety (MS21256-1)	4	
-78	489-873		BARREL - Turnbuckle (MS21251-B2S)	2	
-79	62817-000		BRACKET - Pulley	1	
-80	11200-000	C	PULLEY	2	
-81	62711-004	B,E	PULLEY	1	
-82	63882-009	B,E	SLEEVE	2	
-83	65003-006	B,E	BUSHING	1	
-84	65003-007	C	BUSHING	2	
-85	63900-019	B,E	BUSHING	1	
-86	484-747	B,E	RING - Snap (5108-75)	1	
-87	65244-000	B,E	RIB - Stabilator trim	2	
-88	65245-000	B,E	RIB - Stabilator trim	1	
-89	65246-000	B	SHAFT - Stabilator trim	1	
			A - Used on PA-28-140 with serial numbers 28-20002 to 28-7225612 inclusive, PA-28-150, PA-28-160 and PA-28-180 with serial numbers 28-1 to 28-4377 inclusive, and PA-28-235 with serial numbers 28-10003 to 28-10719 inclusive.		
			B - Used on PA-28-150, PA-28-160 and PA-28-180 airplanes with serial numbers 28-1411 to 28-4377 inclusive, PA-28-235 airplanes with serial numbers 28-10003 to 28-10719 inclusive, and all PA-28-140 airplanes.		
			C - Used on PA-28-140 with serial numbers 28-20002 to 28-20656 inclusive, PA-28-150, PA-28-160 and PA-28-180 with serial numbers 28-1411 to 28-2171 inclusive, and PA-28-235 with serial numbers 28-10003 up 28-10605 inclusive.		
			D - Used on PA-28-150, PA-28-160 and PA-28-180 airplanes with serial numbers 28-1 to 28-1410 inclusive.		
			E - Used on PA-28-150, PA-28-160 and PA-28-180 with serial numbers 28-1 to 28-1410 if Kit 756-930 has been installed.		

PA-28-140
PA-28-150
PA-28-160
PA-28-180
PA-28-235

When ordering, always specify Part Number, Description, and Serial Number of Aircraft

PIPER PARTS CATALOG

Figure and Index Number	Part Number	Code	NOMENCLATURE	No. Req.	SERIAL NUMBERS AFFECTED
77 -90	65247-000	C,D	BARREL - Stabilator trim	1	
	63530-000	F	BARREL - Stabilator trim	1	
-90a	68491-000		GUARD - Cable	2	
-91	65248-000	B,E	ARM ASSEMBLY - Stabilator trim	1	
-92	65249-000	B,E	PLATE - Stabilator trim	1	
-93	65250-000	B,E	CLIP - Stabilator trim	1	
-94	65251-000	B,E	TAB - Stabilator trim	2	
-95	65252-000	B,E	CLIP - Stabilator trim	1	
-96	65253-000	B,E	LINK - Stabilator trim	2	
-97	65254-000	B,E	EYE BOLT - Stabilator trim	1	
-98	65255-000	B,E	BRACKET - Stabilator trim	1	
-99	65256-000	B,E	BRACKET - Stabilator trim	1	
-100	65257-000	C	LINK - Stabilator trim	2	
-101	452-413	B,E	BEARING - (F-838)	2	
-102	452-418	B,E	BEARING - Thrust (T-1010)	1	
-103	400-441	B,E	BOLT - (AN3-7A)	1	
	690-609	B,E	WASHER - (NAS1149F0332P)	1	
	690-611	B,E	WASHER - (NAS1149F0463P)	2	
	404-156	B,E	NUT - (MS21083N3)	1	
-104	400-438	B,E	BOLT - (AN3-4A)	4	
	690-612	B,E	WASHER - (NAS1149F0363P)	4	
	404-526	B,E	NUT - (MS21042-3)	4	
-105	402-032	C	BOLT - (AN428-5)	4	
	690-612	C	WASHER - (NAS1149F0363P)	1	
	404-526	C	NUT - (MS21042-3)	1	
-106	401-266	C	BOLT - (AN3-5A)	1	
	690-612	C	WASHER - (NAS1149F0363P)	1	
	404-526	C	NUT - (MS21042-3)	1	
			<p>A - Used on PA-28-140 with serial numbers 28-20002 to 28-7225612 inclusive, PA-28-150, PA-28-160 and PA-28-180 with serial numbers 28-1 to 28-4377 inclusive and PA-28-235 with serial numbers 28-10003 to 28-10719 inclusive.</p> <p>B - Used on PA-28-150, PA-28-160 and PA-28-180 airplanes with serial numbers 28-1411 to 28-4377 inclusive, PA-28-235 with serial numbers 28-10003 to 28-10719 inclusive, and all PA-28-140 airplanes.</p> <p>C - Used on PA-28-140 with serial numbers 28-20002 to 28-20656 inclusive, PA-28-150, PA-28-160 and PA-28-180 with serial numbers 28-1411 to 28-2171 inclusive, and PA-28-235 with serial numbers 28-10003 to 28-10605 inclusive.</p> <p>D - Order part number 63530-000 if Kit 756-896 has been installed.</p> <p>E - Used on PA-28-150, PA-28-160 and PA-28-180 with serial numbers 28-1 to 28-1410 if Kit 756-930 has been installed.</p> <p>F - Used on PA-28-140 with serial numbers 28-20657 an up, PA-28-150, PA-28-160 and PA-28-180 with serial numbers 28-2172 to 28-4377 inclusive and PA-28-235 with serial numbers 28-10606 to 28-10719 inclusive.</p>		

When ordering, always specify Part Number, Description, and Serial Number of Aircraft

PA-28-140
PA-28-150
PA-28-160
PA-28-180
PA-28-235

PIPER PARTS CATALOG

Figure and Index Number	Part Number	Code	NOMENCLATURE	No. Req.	SERIAL NUMBERS AFFECTED
77 -107	424-123	C,D	COTTER PIN - (AN380-C-4-3)	2	
-108	400-443	C,D	BOLT - (AN3-12A)	1	
	690-612	C,D	WASHER - (NAS1149F0363P)	2	
	407-800	C,D	WASHER - (AN970-3)	1	
	404-526	C,D	NUT - (MS21042-3)	1	
-109	401-269	C,D	BOLT - (AN3-10A)	1	
	690-612	C,D	WASHER - (NAS1149F0363P)	2	
	404-526	C,D	NUT - (MS21042-3)	1	
-110	424-182	B	PIN - (AN393-27)	1	
	690-613	B	WASHER - (NAS1149F0432P)	3	
	690-612	B	WASHER - (NAS1149F0363P)	1	
	424-095	B	COTTER PIN - (AN380-C-2-2)	1	
-111	690-623		WASHER - (NAS1149C1232R)	1	
-112	62919-000	E	PLACARD - Trim indicator	1	
-112a	62920-000	E	PLACARD - Trim	1	
			<p>A - Used on PA-28-140 with Serial numbers 28-20002 to 28-7225612 inclusive, PA-28-150, PA-28-160 and PA-28-180 with serial numbers 28-1 to 28-4377 inclusive, and PA-28-235 with serial numbers 28-10003 to 28-10719 inclusive.</p> <p>B - Used on PA-28-140 with serial numbers 28-20002 to 28-20656 inclusive, PA-28-150, PA-28-160 and PA-28-180 with serial numbers 28-1411 to 28-2171 inclusive, and PA-28-235 with serial numbers 28-10003 to 28-10605 inclusive.</p> <p>C - Used on PA-28-150, PA-28-160 and PA-28-180 airplanes with serial numbers 28-1411 to 28-4377 inclusive, PA-28-235 with serial numbers 28-10003 to 28-10719 inclusive, and all PA-28-140 airplanes.</p> <p>D - Used on PA-28-150, PA-28-160 and PA-28-180 with serial numbers 28-1 to 28-1410 if Kit 756 930 has been installed.</p> <p>E - Used with overhead trim.</p>		

PA-28-140
PA-28-150
PA-28-160
PA-28-180
PA-28-235

When ordering, always specify Part Number, Description, and Serial Number of Aircraft

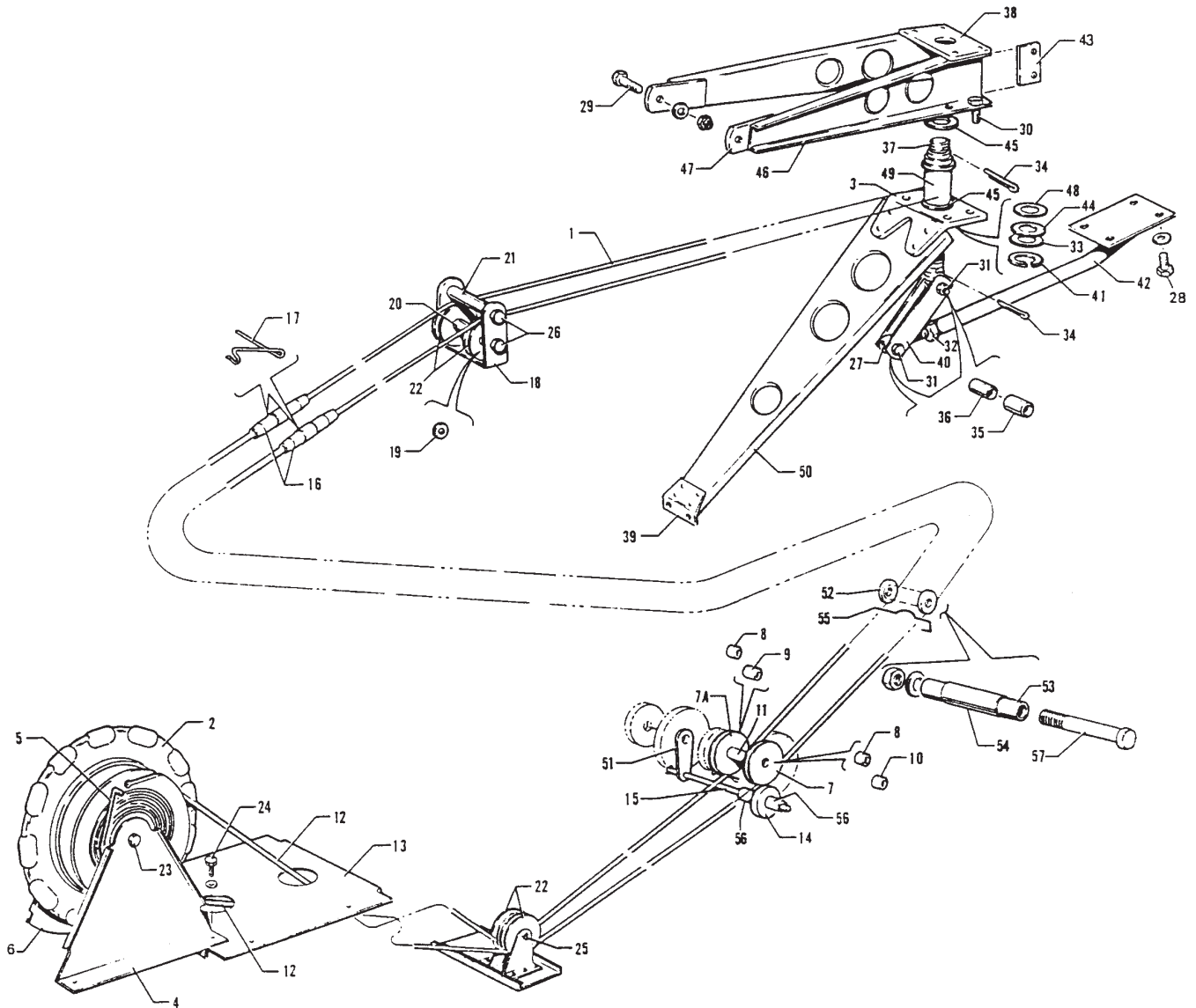


Figure 78. Stabilator Trim Installation
 (PA-28-140 - Serial Nos. 28-7325001 and up)
 (PA-28-180 - Serial Nos. 28-4378 and up)
 (PA-28-235 - Serial Nos. 28-10720 and up)
 (PA-28R-180 - Serial Nos. 28R-30005 to 28R-30481 inclusive, 28R-30483 and up)
 (PA-28R-200 - Serial Nos. 28R-30482, 28R-35001 and up)

PA-28-140
 PA-28-180
 PA-28-235
 PA-28R-180
 PA-28R-200

THIS PAGE INTENTIONALLY LEFT BLANK

PIPER PARTS CATALOG

Figure and Index Number	Part Number	Code	NOMENCLATURE	No. Req.	SERIAL NUMBERS AFFECTED
78-	65580 67018 65258	B C	DRAWING - Control System Installation DRAWING - Control System Installation DRAWING - Stabilator Trim Installation		
-1	62701-047		CABLE - Stabilator trim, aft	1	
-2	68414-003		WHEEL ASSEMBLY - Trim tab	1	
-3	65250-000		CLIP - Stabilator trim	1	
-4	65633-000		BRACKET ASSEMBLY - Trim tab	1	
-5	68488-000	D,H	INDICATOR - Stabilator trim	1	
	68488-002	E	INDICATOR - Stabilator trim	1	
-6	65635-000		BRACKET - Trim tab	1	
-7	62711-003	F	PULLEY - Trim tab	1	
	62711-006	G	PULLEY - Trim tab	1	
-7a	62711-003	F	PULLEY - Trim tab	1	
	62711-007	G	PULLEY - Trim tab	1	
-8	62715-002		BUSHING - Trim tab	2	
-9	62714-002		BUSHING - Trim tab	1	
-10	62714-004		BUSHING - Trim tab	1	
-11	62743-008		SPACER - Stabilator trim pulley	1	
			A - Used on PA-28-140 with serial numbers 28-7325001 and up, PA-28-235 with serial numbers 28-10720 and up, PA-28-180 with serial numbers 28-4378 and up, PA-28R-180 and PA-28R-200 airplanes.		
			B - Used on PA-28-140 with serial numbers 28-7325001 and up, PA-28-180 with serial numbers 28-4378 and up and PA-28-235 with serial numbers 28-10720 and up		
			C - Used on PA-28R-180 and PA-28R-200 airplanes only.		
			D - Used on PA-28-180 with serial numbers 28-4378 to 28-5869 inclusive, PA-28-235 with serial numbers 28-10720 to 28-11393 inclusive PA-28R-180 with serial numbers 28R-30005 to 28R-30481, 28R-30483 to 28R-31135, 28R-31251 to 28R-31270, 28R-7130001 to 28R-7130019 inclusive, and PA-28R-200 with serial numbers 28R-30482, 28R-35001 to 28R-35392, 28R-35601 to 28R-35820, and 28R-7135001 to 28R-7135232 inclusive.		
			E - Used on PA-28-140 with serial numbers 28-7325001 and up, PA-28-180 with serial numbers 28-7105001 and up, PA-28-235 with serial numbers 28-7110001 and up, PA-28R-180 with serial numbers 28R-31136 to 28R-31250 inclusive, 28R-31271 to 28R-31279 inclusive, and up, PA-28R-200 with serial numbers 28R-35393 to 28R-35600 inclusive, 28R-35821 to 28R-35830 inclusive, 28R-7235001 and up.		
			F - Used on PA-28-235 with serial numbers 28-10720 and up, PA-28-180 with serial numbers 28-4378 and up, PA-28R-180 and PA-28R-200 airplanes.		
			G - Used on PA-28-140 airplanes only.		
			H - Order 68488-002 if Kit 760-542, Landing Gear Back-Up Actuator Override Mechanism, have been installed.		
			J - See Figure 85 if electric trim is installed. The forward left hand stabilator trim cable is a different part number if electric trim is installed.		

When ordering, always specify Part Number, Description, and Serial Number of Aircraft

PA-28-140
PA-28-180
PA-28-235
PA-28R-180
PA-28R-200

PIPER PARTS CATALOG

Figure and Index Number	Part Number	Code	NOMENCLATURE	No. Req.	SERIAL NUMBERS AFFECTED
78 -12	62701-056	F,J	CABLE - Stabilator trim, forward	2	
	62701-104	G	CABLE - Stabilator trim, forward	2	
-13	65632-000	D	PLATE ASSEMBLY - Trim wheel	1	
	65632-003	E	PLATE ASSEMBLY - Trim wheel	1	
-14	65639-000		GUARD - Trim pulley	1	
-15	62710-003	B	PIN - Cable guard	1	
	62710-002	C	PIN - Cable guard	1	
-16	489-873		BARREL - Turnbuckle (MS21251-B2S)	2	
-17	554-979		CLIP - Turnbuckle safety (MS21256-1)	4	
-18	68472-000		BRACKET - Stabilator trim pulley	1	
-19	690-612		WASHER - (NAS1149F0363P)	2	
-20	63900-056		BUSHING - Stabilator trim pulley	1	
-21	63900-055		BUSHING - Stabilator trim pulley	1	
-22	481-640		PULLEY - (MS24566-1B)	4	
-23	400-450		BOLT - (AN3-17A)	1	
	63900-061		BUSHING	1	
	690-609		WASHER - (NAS1149F0332P)	1	
	404-526		NUT - (MS21042-3)	1	
-24	400-437		BOLT - (AN3-3A)	4	
-25	424-180		PIN - (MS20392-2C23)	3	
	424-051		COTTER PIN - (AN380-2-2)	1	
			A - Used on PA-28-140 with serial numbers 28-7325001 and up, PA-28-235 with serial numbers 28-10720 and up PA-28-180 with serial numbers 28-4378 and up, PA-28R-180 and PA-28R-200 airplanes.		
			B - Used on PA-28-140 with serial numbers 28-7325001 and up, PA-28-180 with serial numbers 28-4378 and up, and PA-28-235 with serial numbers 28-10720 and up.		
			C - Used on PA-28R-180 and PA-28R-200 airplanes only.		
			D - Used on PA-28-180 with serial numbers 28-4378 to 28-5869 inclusive, PA-28-235 with serial numbers 28-10720 to 28-11393 inclusive, PA-28R-180 with serial numbers 28R-30005 to 28R-30481 inclusive, 28R-30483 to 28R-31279 inclusive, and PA-28R-200 with serial numbers 28R-30482, 28R-35001 to 28R-35830 inclusive.		
			E - Used on PA-28-140 with serial numbers 28-7325001 and up, PA-28-180 with serial numbers 28-7105001 and up, PA-28-235 with serial numbers 28-7110001 and up, PA-28R-180 with serial numbers 28R-7130001 and up, and PA-28R-200 with serial numbers 28R-7135001 and up.		
			F - Used on PA-28-140 with serial numbers 28-7325001 and up, PA-28-180 with serial numbers 28-4378 to 28-7205328 inclusive, PA-28R-180 with serial numbers 28R-30005 to 28R-7130019 inclusive, PA-28-235 with serial numbers 28-10720 to 28-7210033 inclusive, and PA-28R-200 with serial numbers 28R-30482 28R-35001 to 28R-7135238 inclusive.		
			G - Used on PA-28-180 with serial numbers 28-7305001 and up, PA-28-235 with serial numbers 28-7310001 and up, and PA-28R-200 with serial numbers 28R-7235001 and up.		

PA-28-140
PA-28-180
PA-28-235
PA-28R-180
PA-28R-200

When ordering, always specify Part Number, Description, and Serial Number of Aircraft

PIPER PARTS CATALOG

Figure and Index Number	Part Number	Code	NOMENCLATURE	No. Req.	SERIAL NUMBERS AFFECTED
78 -26	401-279		BOLT - (AN3-25A)	2	
	407-584		WASHER - (AN960-10L)	2	
	404-526		NUT - (MS21042-3)	2	
-27	65254-000		BOLT - Eye, stabilator trim	1	
-28	400-437		BOLT - (AN3-3A)	4	
	690-609		WASHER - (NAS1149F0332P)	4	
-29	401-266		BOLT - (AN3-5A)	2	
	494-066		WASHER - (K19001-3)	2	
	406-551		NUT - (H19000-3)	2	
-30	400-438		BOLT - (AN3-4A)	4	
	690-612		WASHER - (NAS1149F0363P)	4	
	404-526		NUT - (MS21042-3)	4	
-31	401-269		BOLT - (AN3-10A)	2	
	690-612		WASHER - (NAS1149F0363P)	4	
	404-526		NUT - (MS21042-3)	2	
-32	404-325		NUT - (AN316-7R)	1	
-33	690-223		WASHER - (NAS1149FC1232R)	1	
-34	424-123		COTTER PIN - (AN380-C-4-3)	2	
-35	63882-009		SLEEVE - Stabilator trim link	2	
-36	65003-006		BUSHING - Stabilator trim link	2	
-37	65246-000		SHAFT - Stabilator trim	1	
-38	65249-000		PLATE - Stabilator trim	1	
-39	65252-000		CUP - Stabilator trim	1	
-40	65253-000		LINK - Stabilator trim	2	
-41	484-747		SNAP RING - (5108-75)	1	
-42	65248-000		ARM ASSEMBLY - Stabilator trim	1	
-43	68491-000		GUARD - Cable	2	
-44	452-418		BEARING - Thrust (T-1010)	1	
-45	452-413		BEARING - (F-838)	2	
-46	65244-000		RIB - Stabilator trim	2	
-47	65251-000		TAB - Stabilator- trim	2	
-48	62833-018		SHIM - Stabilator trim	1	
-49	63530-000		BARREL - Stabilator trim	1	
-50	65245-000		RIB - Stabilator trim	1	
-51	62709-000		GUARD - Pin holder	1	
-52	62711-004		PULLEY - Stabilator trim	2	
-53	63900-059	B	BUSHING - Stabilator trim, inner	1	
	63900-160	C	BUSHING - Stabilator trim, inner	1	
-54	63900-060	B	BUSHING - Stabilator trim, outer	1	
	63900-161	C	BUSHING - Stabilator trim, outer	1	
-55	99856-000		GUARD - Cable	1	
-56	65003-037		BUSHING	2	
-57	400-446	B	BOLT - (AN3-16A)	1	
	401-281	C	BOLT - (AN3H-26A)	1	
	690-609		WASHER - (NAS1149F0332P)	1	
	404-526		NUT - (MS21042-3)	1	
			A - Used on PA-28-140 with serial numbers 28-7325001 and up, PA-28-235 with serial numbers 28-10720 and up, PA-28-180 with serial numbers 28-4378 and up, PA-28R-180 and PA-28R-200 airplanes.		
			B - Used on PA-28-180, PA-28-235, PA-28R-180 and PA-28R-200 airplanes only.		
			C - Used on PA-28-140 airplanes only.		

When ordering, always specify Part Number, Description, and Serial Number of Aircraft

PA-28-140
PA-28-180
PA-28-235
PA-28R-180
PA-28R-200

THIS PAGE INTENTIONALLY LEFT BLANK

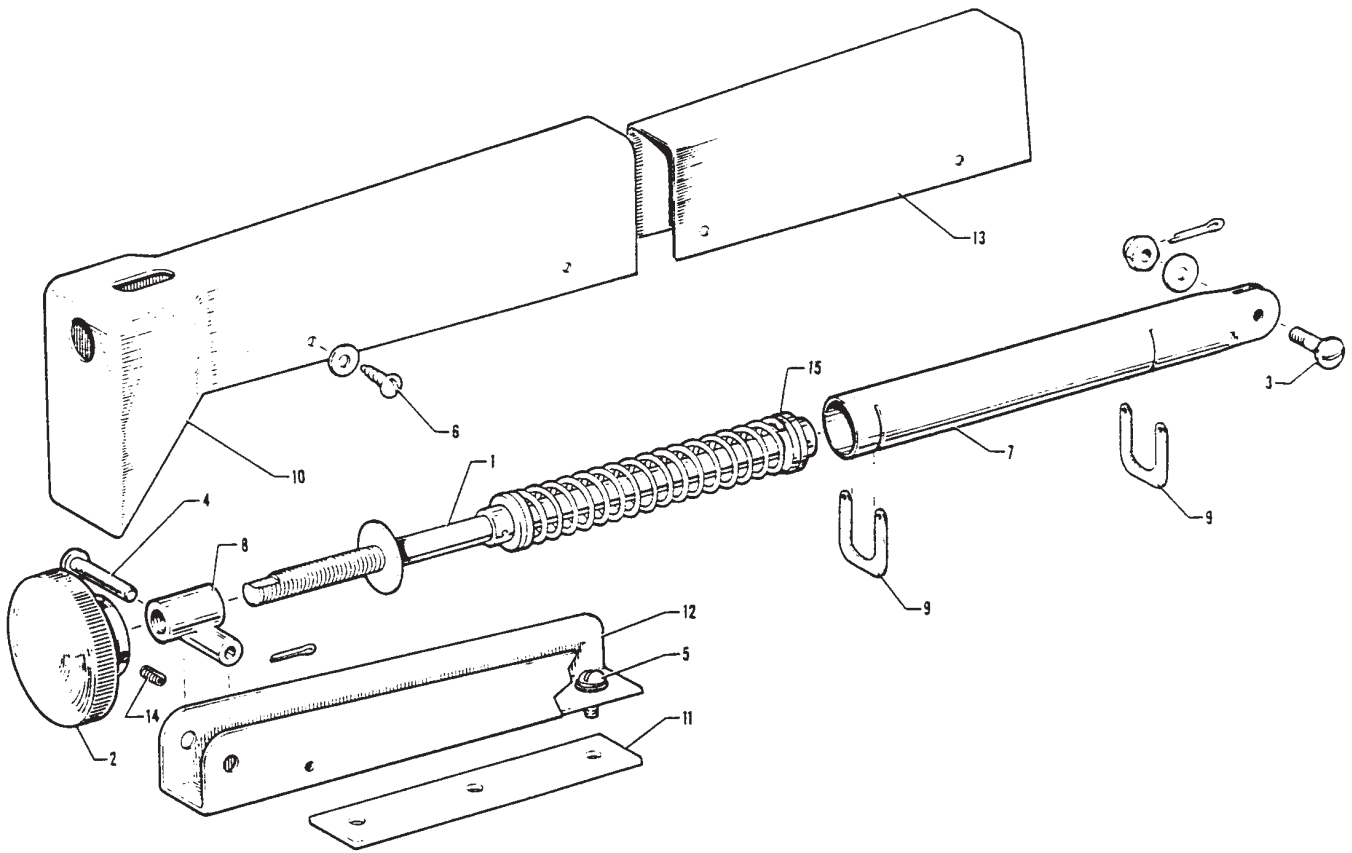


Figure 79. Rudder Trim Mechanism Installation

THIS PAGE INTENTIONALLY LEFT BLANK

PIPER PARTS CATALOG

Figure and Index Number	Part Number	Code	NOMENCLATURE	No. Req.	SERIAL NUMBERS AFFECTED
79-	62828 67384 65837	B F E	DRAWING - Rudder Trim Mechanism Installation DRAWING - Rudder Trim Mechanism Installation DRAWING - Rudder Trim Mechanism Installation		
-1	62829-000 62829-000 66659-000 62829-003 62829-005	A G D H C	SHAFT ASSEMBLY - Rudder trim SHAFT ASSEMBLY - Rudder trim SHAFT ASSEMBLY - Rudder trim SHAFT ASSEMBLY - Rudder trim SHAFT ASSEMBLY - Rudder trim	1 1 1 1 1	28-1 to 28-1410 inclusive 28-11040 and up
-2	62838-000		KNOB	1	
-3	400-672 690-609 404-392 424-051		BOLT - (AN23-10) WASHER - (NAS1149F0332P) NUT - (AN320-3) COTTER PIN - (AN380-2-2)	1 1 1 1	
<p>A - Used on PA-28-150, PA-28-160 and PA-28-180 airplanes only.</p> <p>B - Used on PA-28-150, PA-28-160 and PA-28-180 with serial numbers 28-1 to 28-4377 inclusive, PA-28-235 with serial numbers 28-10003 to 28-11039 inclusive, and PA-28-140 with serial numbers 28-20002 to 28-24999 inclusive.</p> <p>C - Used on PA-28-235 airplanes only.</p> <p>D - Used on PA-28R-180 with serial numbers 28R-31079 and up, and PA-28R-200 with serial numbers 28R-30482, 28R-35001 and up.</p> <p>E - Used on PA-28-180 with serial numbers 28-4378 and up PA-28-235 with serial numbers 28-11040 and up, and PA-28-140 with serial numbers 28-25000 and up.</p> <p>F - Used on PA-28R-180 and PA-28R-200 airplanes only.</p> <p>G - Used on PA-28-140 with serial numbers 28-20002 to 28-21944 inclusive, PA-28-150, PA-28-160 and PA-28-180 with serial numbers 28-1411 to 28-3489 inclusive, PA-28-235 with serial numbers 28-10003 to 28-10720 inclusive, and PA-28R-180 with serial numbers 28R-30005 to 28R-30481 inclusive, 28R-30483 to 28R-31078 inclusive.</p> <p>H - Used on PA-28-140 with serial numbers 28-21945 and up PA-28-150, PA-28-160 and PA-28-180 with serial numbers 28-3490 and up, and PA-28-235 with serial numbers 28-10720 to 28-11040 inclusive.</p>					

When ordering, always specify Part Number, Description, and Serial Number of Aircraft

PIPER PARTS CATALOG

Figure and Index Number	Part Number	Code	NOMENCLATURE	No. Req.	SERIAL NUMBERS AFFECTED	
79 -4	424-185	C,G	PIN - Flat head (MS20392-2-33)	1		
	424-186	B	PIN - Flat head (MS20392-2-35)	1		
	424-186	H,F	PIN - Flat head (MS20392-2-35)	1		
	424-051		COTTER PIN - (AN380-2-2)	1		
	-5	415-754	C,G	SCREW - (AN515-832R8)	3	
		415-753	B,H	SCREW - (AN515-8R7)	2	
		404-529	C,G	NUT - (MS21042-08)	1	
		690-618		WASHER - (NAS1149FN816P)	7	
	-6	419-683	C,G	SCREW - (4 x 1/2")	4	
	-7	66530-000	A	HOUSING - Rudder trim	1	
		66658-000	D	HOUSING - Rudder trim	1	
		65836-000	E	HOUSING - Rudder trim	1	
-8	62831-000		BUSHING ASSEMBLY - Rudder trim	1		
-9	62832-000		CLIP - Rudder trim	2		
			<p>A - Used on PA-28-140 with serial numbers 28-20002 to 28-24999 inclusive, PA-28-150, PA-28-160 and PA-28-180 with serial numbers 28-1 to 28-4377 inclusive PA-28-235 with serial numbers 28-10002 to 28-11039 inclusive, and PA-28R-180 with serial numbers 28R-30005 to 28R-30481 inclusive, 28R-30483 to 28R-31078 inclusive.</p> <p>B - Used on PA-28R-180 and PA-28R-200 airplanes only.</p> <p>C - Used on PA-28-235 with serial numbers 28-10003 to 28-11039 inclusive.</p> <p>D - Used on PA-28R-180 with serial numbers 28R-31079 and up, and PA-28R-200 with serial numbers 28R-30482, 28R-35001 and up.</p> <p>E - Used on PA-28-140 with serial numbers 28-25000 and up PA-28-150, PA-28-160 and PA-28-180 with serial numbers 28-4378 and up, and PA-28-235 with serial numbers 28-11040 and up.</p> <p>F - Used on PA-28-180 with serial numbers 28-4378 and up.</p> <p>G - Used on PA-28-140 with serial numbers 28-20002 to 28-24999 inclusive, PA-28-150, PA-28-160 and PA-28-180 airplanes.</p> <p>H - Used on PA-28-235 with serial numbers 28-11040 and up and PA-28-140 with serial numbers 28-25000 and up.</p>			

When ordering, always specify Part Number, Description, and Serial Number of Aircraft

PIPER PARTS CATALOG

Figure and Index Number	Part Number	Code	NOMENCLATURE	No. Req.	SERIAL NUMBERS AFFECTED
79 -10	62835-000		COVER - Rudder trim, black	1	28-1 to 28-670 inclusive
	62835-007	J	COVER - Rudder trim, black	1	
	63295-002	D	COVER - Rudder trim, brown	1	
	63295-003	H	COVER - Rudder trim, gray	1	
	63295-004	G	COVER - Rudder trim, blue	1	
	63295-005	G	COVER - Rudder trim, red	1	
-11	62836-000	C,D	PLATE - Rudder trim	1	
-12	62837-000	C,D	CHANNEL - Rudder trim	1	
	67382-000	B	CHANNEL - Rudder trim	1	
	69318-000	F	CHANNEL - Rudder trim	1	
	67382-000	E	CHANNEL - Rudder trim	1	
	69318-000	A	CHANNEL - Rudder trim	1	
-13	65216-000	C	CHANNEL - Rudder trim cover	1	
-14	419-967		SCREW - Set (MS51964-132)	1	
-15	62833-127		WASHER	1	
			A - Used on PA-28-235 with serial numbers 28-11040 and up and PA-28-140 with serial numbers 28-25000 and up.		
			B - Used on PA-28R-180 with serial numbers 28R-30005 to 28R-30481 inclusive, 28R-30483 to 28R-30678 inclusive.		
			C - Used on PA-28-235 with serial numbers 28-10003 to 28-11039 inclusive.		
			D - Used on PA-28-150, PA-28-160 and PA-28-180 with serial numbers 28-1 to 28-4377 inclusive, and PA-28-140 with serial numbers 28-20002 to 28-24999 inclusive.		
			E - Used on PA-28-180 with serial numbers 28-4378 to 28-4877 inclusive.		
			F - Used on PA-28R-180 with serial numbers 28R-30679 and up and PA-28R-200 with serial numbers 28R-30482, 28R-35001 and up.		
			G - Used on PA-28-140 with serial numbers 28-21468 to 28-24999 inclusive, PA-28-150, PA-28-160 and PA-28-180 with serial numbers 28-1761 to 28-4377 inclusive.		
			H - Used on PA-28-140 with serial numbers 28-20002 to 28-21467 inclusive PA-28-150, PA-28-160 and PA-28-180 with serial numbers 28-671 to 28-1760 inclusive.		
			J - Used on PA-28-140 with serial numbers 28-20002 to 28-24999 inclusive.		

When ordering, always specify Part Number, Description, and Serial Number of Aircraft

THIS PAGE INTENTIONALLY LEFT BLANK

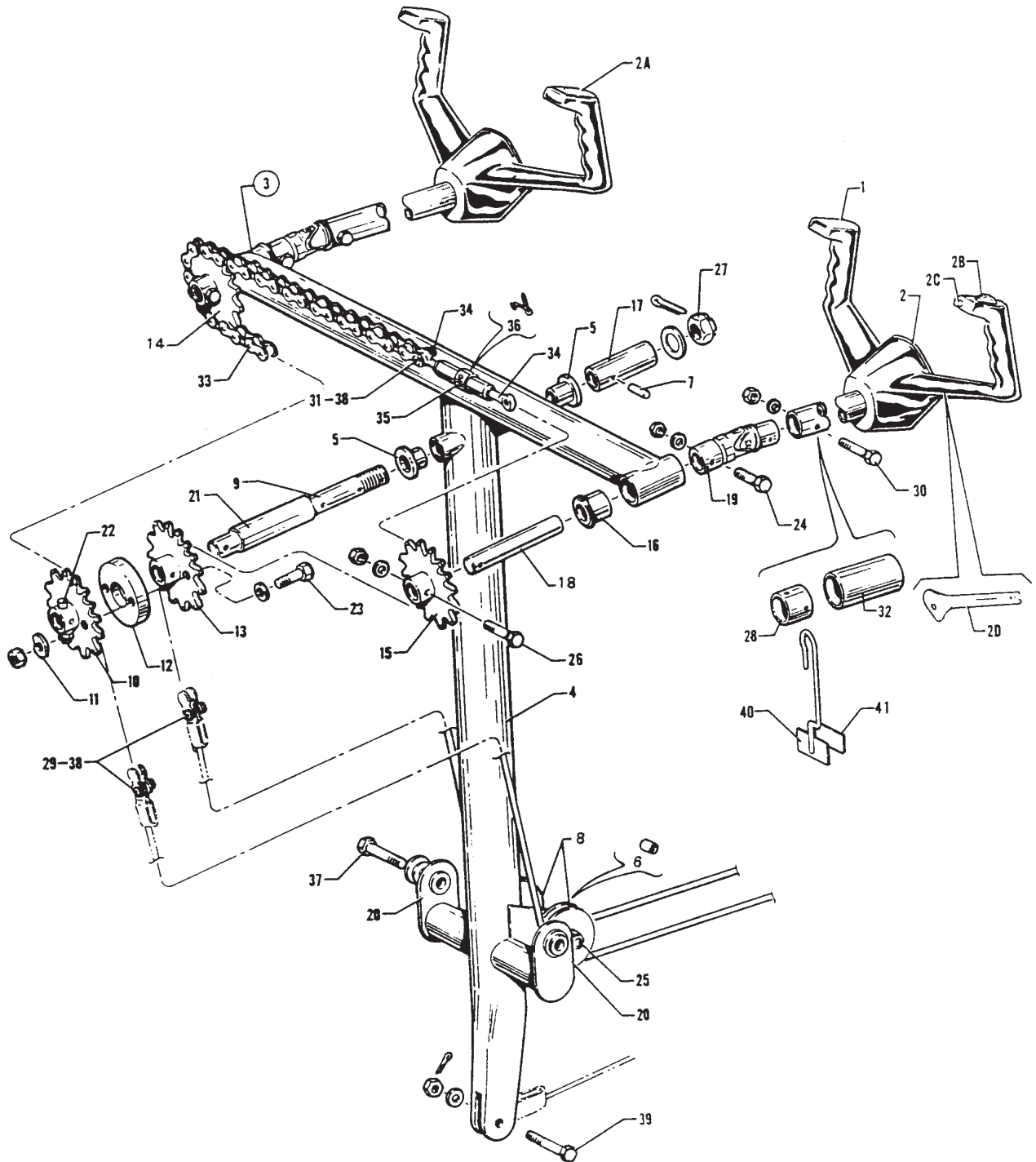


Figure 80. Control Wheel Installation
 (PA-28-140 - Serial Nos. 28-20002 and up)
 (PA-28-150-160-180 - Serial Nos. 28-1 to 28-4377 inclusive)
 (PA-28-235 - Serial Nos. 28-10003 to 28-11039 inclusive)

PA-28-140
 PA-28-150
 PA-28-160
 PA-28-180
 PA-28-235

THIS PAGE INTENTIONALLY LEFT BLANK

PIPER PARTS CATALOG

Figure and Index Number	Part Number	Code	NOMENCLATURE	No. Req.	SERIAL NUMBERS AFFECTED
80-	62700 65580 66697	B C D	DRAWING - Control System Installation DRAWING - Control System Installation DRAWING - Control System Installation		28-10720 to 28-11039 incl. 28-25000 and up
-1	78729-002 79276-000	E E	WHEEL ASSEMBLY - Control (3/4" O.D. shaft) left grip cored WHEEL ASSEMBLY - Control (1-1/8" O.D. shaft) left grip cored	2 2	
-2	79309-000 79310-000 63920-000 79275-000	F F G	* MEDALLION - Decal with plate * MEDALLION - Decal only * MEDALLION - Die cast * MEDALLION	1 1 1 1	28-7425001 and up 28-20002 and up
-2a	67491-000	G	* PLATE - Control wheel cover (standard)	1	
-2b	63778-000 67443-004 761-039	F,H F,D G	SWITCH AND HOUSING ASSEMBLY - Electric trim SWITCH AND HOUSING ASSEMBLY - Electric trim KIT - Electric trim switch assembly	1 1 1	28-7525096 and up
-2c	67463-000		SWITCH ASSEMBLY - AutoFlite	1	
-2d	68829-000	B	COVER - Switch wire	1	
<p>A - Used on PA-28-140 with serial numbers 28-20002 and up, PA-28-150, PA-28-160 and PA-28-180 with serial numbers 28-1 to 28-4377 inclusive, and PA-28-235 with serial numbers 28-10003 to 28-11039 inclusive.</p> <p>B - Used on PA-28-150, PA-28-160 and PA-28-180 with serial numbers 28-1 to 28-4377 inclusive, PA-28-235 with serial numbers 28-10003 to 28-10719 inclusive, and PA-28-140 with serial numbers 28-20002 to 28-24999 inclusive.</p> <p>C - Used on PA-28-235 airplanes only.</p> <p>D - Used on PA-28-140 airplanes only.</p> <p>E - Ascertain O.D. of control wheel shaft before ordering. Control wheel assembly does not include switches. Order desired switches separately. Reference latest revision of Piper Service Letter 527 on Inspection or Replacement of Control Wheels on PA-28-140 Cherokee aircraft with serial numbers 28-20001 to 28-7725290 inclusive, PA-28-150/160/180 Cherokees with serial numbers 28-1 to 28-4377 inclusive and PA-28-235 Cherokee Pathfinders with serial numbers 28-10001 to 28-11039 inclusive.</p> <p>F - Used with a bowtie style control wheel.</p> <p>G - Used with a ramshorn style control wheel.</p> <p>H - Used on PA-28-140 with serial numbers 28-20002 to 28-7525095 inclusive, PA-28-150, PA-28-160, and PA-28-180 with serial numbers 28-1 to 28-4377 inclusive, and PA-28-235 with serial numbers 28-10003 to 28-11039 inclusive. If Electric Trim Servo Replacement Kit 763-850 has been installed, order Switch part number 67443-004. If the bowtie style control wheel has been replaced with a ramshorn style control wheel order Switch part number 761-039.</p>					

When ordering, always specify Part Number, Description, and Serial Number of Aircraft

PA-28-140
PA-28-150
PA-28-160
PA-28-180
PA-28-235

PIPER PARTS CATALOG

Figure and Index Number	Part Number	Code	NOMENCLATURE	No. Req.	SERIAL NUMBERS AFFECTED
80 -3	62703-032		CONTROL COLUMN ASSEMBLY	1	28-1 to 28-1230 inclusive
	62703-025	D	CONTROL COLUMN ASSEMBLY	1	
	62703-027	E	CONTROL COLUMN ASSEMBLY	1	
	62019-000	C	CONTROL COLUMN ASSEMBLY	1	
	62019-003	F	CONTROL COLUMN ASSEMBLY	1	
	-4	62703-031		TEE BAR ASSEMBLY - Control column	
62703-024		D	TEE BAR ASSEMBLY - Control column	1	
62703-026		C	TEE BAR ASSEMBLY - Control column	1	
62703-033		B	TEE BAR ASSEMBLY - Control column	1	
-5	452-372		BEARING - (F504-2)	2	28-25000 and up 28-972 and up
	<p>A - Used on PA-28-140 with serial numbers 28-20002 and up, PA-28-150, PA-28-160 and PA-28-180 with serial numbers 28-1 to 28-4377 inclusive, and PA-28-235 with serial numbers 28-10003 to 28-11039 inclusive.</p> <p>B - Used on PA-28-140 with serial numbers 28-21446 to 28-21845 inclusive, 28-21931 to 28-21934 inclusive, 28-23242 and up, PA-28-150, PA-28-160 and PA-28-180 with serial numbers 28-2978 to 28-3377 inclusive, 28-4118 to 28-4377 inclusive, and PA-28-235 with serial number 28-10944 to 28-11039 inclusive.</p> <p>C - Used on PA-28-150, PA-28-160 and PA-28-180 with serial numbers 28-3378 to 28-4117 inclusive, PA-28-140 with serial numbers 28-21846 to 28-21930 inclusive, 28-21935 to 28-23241 inclusive, and PA-28-235 with serial numbers 28-10720 to 28-10943 inclusive.</p> <p>D - Used on PA-28-150, PA-28-160 and PA-28-180 with serial numbers 28-1231 to 28-2977 inclusive, PA-28-140 with serial numbers 28-20002 to 28-21445 inclusive, and PA-28-235 with serial numbers 28-10003 to 28-10719 inclusive.</p> <p>E - Used on PA-28-150, PA-28-160 and PA-28-180 with serial numbers 28-2978 to 28-3377 inclusive, and PA-28-140 with serial numbers 28-21446 to 28-21845 inclusive, 28-21931 to 28-21934 inclusive.</p> <p>F - Used on PA-28-140 with serial numbers 28-23242 and up, PA-28-150, PA-28-160 and PA-28-180 with serial number 28-4118 to 28-4377 inclusive, and PA-28-235 with serial numbers 28-10944 to 28-11039 inclusive.</p>				

PA-28-140
PA-28-150
PA-28-160
PA-28-180
PA-28-235

When ordering, always specify Part Number, Description, and Serial Number of Aircraft

PIPER PARTS CATALOG

Figure and Index Number	Part Number	Code	NOMENCLATURE	No. Req.	SERIAL NUMBERS AFFECTED
80 -6	62712-002		BUSHING - Inner, control (.375 length)	1	28-1 to 28-1230 inclusive
	62712-002	D	BUSHING - Inner, control (.375 length)	1	
	62712-004	C,H	BUSHING - Inner, control (.620 length)	1	
-7	480-683		PIN - Roll (59-028-125 .0687)	1	
-8	62825-000		PULLEY - Control column (with bushing)	2	28-1 to 28-1230 inclusive
	62825-000	D	PULLEY - Control column (with bushing)	2	
	481-651	C,H	PULLEY - Control column (MS20220-1) (with bushing)	2	
-9	62848-000	C	SHAFT - Control column	1	
	62848-002	B	SHAFT - Control column	1	
	69077-000	E	SHAFT - Control column	1	
-10	62779-000	G	SPROCKET - Control column	1	
	63404-000	F	SPROCKET - Control column	1	
-11	62784-000		WASHER - Control column	1	
-12	62782-000		SPACER - Control column	1	
-13	62778-000		SPROCKET - Control column	1	
<p>A - Used on PA-28-140 with serial numbers 28-20002 and up, PA-28-150, PA-28-160 and PA-28-180 with serial numbers 28-1 to 28-4377 inclusive, and PA-28-235 with serial numbers 28-10003 to 28-11039 inclusive.</p> <p>B - Used on PA-28-140 with serial numbers 28-20301 to 28-23241 inclusive, PA-28-150, PA-28-160 and PA-28-180 with serial numbers 28-1807 to 28-4117 inclusive, and PA-28-235 with serial numbers 28-10487 to 28-10943 inclusive.</p> <p>C - Used on PA-28-150, PA-28-160 and PA-28-180 with serial numbers 28-3378 to 28-4377 inclusive, PA-28-140 with serial numbers 28-21846 to 28-21930 inclusive, 28-21935 and up, and PA-28-235 with serial numbers 28-10720 to 28-11039 inclusive.</p> <p>D - Used on PA-28-150, PA-28-160 and PA-28-180 with serial numbers 28-1231 to 28-2977 inclusive, PA-28-140 with serial numbers 28-20002 to 28-21445 inclusive and PA-28-235 with serial numbers 28-10003 to 28-10719 inclusive.</p> <p>E - Used on PA-28-140 with serial numbers 28-23242 and up, PA-28-150, PA-28-160 and PA-28-180 with serial numbers 28-4118 to 28-4377 inclusive, and PA-28-235 with serial numbers 28-10944 to 28-11039 inclusive.</p> <p>F - Used on PA-28-140 with serial numbers 28-20301 and up, PA-28-150, PA-28-160 and PA-28-180 with serial numbers 28-1807 to 28-4377 inclusive, and PA-28-235 with serial numbers 28-10487 to 28-11039 inclusive.</p> <p>G - Used on PA-28-140 with serial numbers 28-20002 to 28-20300 inclusive, PA-28-150, PA-28-160 and PA-28-180 with serial numbers 28-1 to 28-1806 inclusive, and PA-28-235 with serial numbers 28-10003 to 28-10486 inclusive.</p> <p>H - Used on PA-28-150, PA-28-160 and PA-28-180 with serial numbers 28-2978 to 28-3377 inclusive, and PA-28-140 with serial numbers 28-21446 to 28-21845 inclusive, 28-21931 to 28-21934 inclusive.</p>					

When ordering, always specify Part Number, Description, and Serial Number of Aircraft

PA-28-140
PA-28-150
PA-28-160
PA-28-180
PA-28-235

PIPER PARTS CATALOG

Figure and Index Number	Part Number	Code	NOMENCLATURE	No. Req.	SERIAL NUMBERS AFFECTED	
80 -14 -15 -16 -17 -18	62845-000		SPROCKET - Control column	1	28-1 to 28-1230 inclusive	
	62845-000	E,F	SPROCKET - Control column	1		
	62845-002	D	SPROCKET - Control column	1		
		62839-000		SPROCKET ASSEMBLY - Control column	1	
		452-389		BUSHING - (F825-2) Control column	4	
		62849-000		SPACER - Tee bar	1	28-511 and up
		62716-002	C	SHAFT - Left control column (2.068 L)	1	
		62716-004	B	SHAFT - Left control column (3.076 L)	1	
		62716-006	G	SHAFT - Left control column (3.076 L)	1	
		62716-003	C	SHAFT - Right control column (3.156 L)	1	
		62716-005	B	SHAFT - Right control column (3.266 L)	1	
		62716-007	G	SHAFT - Right control column (3.266 L)	1	
		62716-007	H	SHAFT - Control column (3.266 L)	2	28-25401 and up
				A - Used on PA-28-140 with serial numbers 28-20002 and up, PA-28-150 PA-28-160 and PA-28-180 with serial numbers 28-1 to 28-4377 inclusive, and PA-28-235 with serial numbers 28-10003 to 28-11039 inclusive.		
				B - Used on PA-28-140 with serial numbers 28-20161 to 28-21845 inclusive, 28-21931 to 28-21934 inclusive, PA-28-150, PA-28-160 and PA-28-180 with serial numbers 28-1761 to 28-3377 inclusive, and PA-28-235 with serial numbers 28-10487 to 28-10719 inclusive.		
			C - Used on PA-28-140 with serial numbers 28-20002 to 28-20160 inclusive, PA-28-150, PA-28-160 and PA-28-180 with serial numbers 28-1 to 28-1760 inclusive, and PA-28-235 with serial numbers 28-10003 to 28-10486 inclusive.			
			D - Used on PA-28-150, PA-28-160 and PA-28-180 with serial numbers 28-3378 to 28-4377 inclusive, PA-28-140 with serial numbers 28-21846 to 28-21930 inclusive, 28-21935 and up, and PA-28-235 with serial numbers 28-10720 to 28-11039 inclusive.			
			E - Used on PA-28-150, PA-28-160 and PA-28-180 with serial numbers 28-2978 to 28-3377 inclusive, and PA-28-140 with serial numbers 28-21446 to 28-21845 inclusive, and 28-21931 to 28-21934 inclusive.			
			F - Used on PA-28-150, PA-28-160 and PA-28-180 with serial numbers 28-1231 to 28-2977 inclusive, PA-28-140 with serial numbers 28-20002 to 28-21445 inclusive, and PA-28-235 with serial numbers 28-10003 to 28-10719 inclusive.			
			G - Used on PA-28-150, PA-28-160 and PA-28-180 with serial numbers 28-3378 to 28-4377 inclusive, PA-28-140 with serial numbers 28-21846 to 28-21930 inclusive, 28-21935 to 28-25400 inclusive, and PA-28-235 with serial numbers 28-10720 to 28-11039.			
			H - Used on PA-28-140 airplanes only.			

PA-28-140
PA-28-150
PA-28-160
PA-28-180
PA-28-235

When ordering, always specify Part Number, Description, and Serial Number of Aircraft

PIPER PARTS CATALOG

Figure and Index Number	Part Number	Code	NOMENCLATURE	No. Req.	SERIAL NUMBERS AFFECTED
80 -19	62834-000	C	UNIVERSAL JOINT	2	28-1 to 28-510 inclusive
	62834-002	B	UNIVERSAL JOINT	2	
-20	452-388		BEARING - (F4DD) Control column	2	
-21	62783-000		BUSHING - Control column	1	
-22	480-730	D	PIN - (AN386-1-6A)	1	
	494-093	D	WASHER - (AN975-3)	1	
	404-156	D,	NUT - (MS21083N3)	1	
-23	401-269		BOLT - (AN3-10A)	2	
	690-609		WASHER - (NAS1149F0332P)	2	
	404-526		NUT - (MS21042-3)	2	
-24	401-270	C	BOLT - (AN3-11A)	2	
	480-730	B	PIN - Taper (AN386-1-6A)	2	
	690-612	C	WASHER - (NAS1149F0463P)	2	
	494-093	B	WASHER - (AN975-3)	2	
	404-526	C	NUT - (MS21042-3)	2	
	404-156	B	NUT - (MS21083N3)	2	
-25	400-025	E	BOLT - (AN4-33A)	1	
	401-333	F	BOLT - (AN4-35A)	1	
	690-613		WASHER - (NAS1149F0432P)	3	
	690-611		WASHER - (NAS1149F0463P)	2	
	404-530		NUT - (MS21042-4)	1	
-26	401-270	C	BOLT - (AN3-11A)	2	
	480-730	B	PIN - Taper (AN386-1-6A)	2	
	690-612	C	WASHER - (NAS1149F0463P)	2	
	494-093	B	WASHER - (AN975-3)	2	
	404-526	C	NUT - (MS21042-3)	2	
	404-835	B	NUT - (MS20364-1032C)	2	
				<p>A - Used on PA-28-140 with serial numbers 28-20002 and up, PA-28-150 PA-28-160 and PA-28-180 with serial numbers 28-1 to 28-4377 inclusive, and PA-28-235 with serial numbers 28-10003 to 28-11039 inclusive,</p> <p>B - Used on PA-28-150 PA-28-160 and PA-28-180 with serial numbers 28-3378 to 28-4377 inclusive, PA-28-140 with serial numbers 28-21846 to 28-21930 inclusive, 28-21935 and up, and PA-28-235 with serial numbers 28-10720 to 28-11039 inclusive,</p> <p>C - Used on PA-28-150, PA-28-160 and PA-28-180 with serial numbers 28-1 to 28-3377 inclusive, PA-28-140 with serial numbers 28-20002 to 28-21845 inclusive, 28-21931 to 28-21934 inclusive, and PA-28-235 with serial numbers 28-10003 to 28-10719 inclusive,</p> <p>D - Used on PA-28-140 with serial numbers 28-20301 and up, PA-28-150, PA-28-160 and PA-28-180 with serial numbers 28-1807 to 28-4377 inclusive, and PA-28-235 with serial numbers 28-10487 to 28-11039 inclusive,</p> <p>E - Used on PA-28-150 PA-28-160 and PA-28-180 with serial numbers 28-1 to 28-2977 inclusive, PA-28-140 with serial numbers 28-20002 to 28-21445 inclusive and PA-28-235 with serial numbers 28-10003 to 28-10719 inclusive,</p> <p>F - Used on PA-28-150, PA-28-160 and PA-28-180 with serial numbers 28-2978 to 28-4377 inclusive, PA-28-140 with serial numbers 28-21446 and up, and PA-28-235 with serial numbers 28-10720 to 28-11039 inclusive,</p>	

When ordering, always specify Part Number, Description, and Serial Number of Aircraft

PA-28-140
PA-28-150
PA-28-160
PA-28-180
PA-28-235

PIPER PARTS CATALOG

Figure and Index Number	Part Number	Code	NOMENCLATURE	No, Req.	SERIAL NUMBERS AFFECTED
80 -27	404-104		NUT - (AN310-7)	1	
	690-630		WASHER - (NAS1149F0763P)	1	
	424-060		COTTER PIN - (AN380-34)	1	
-28	68557-000	D	BUSHING - Tee bar	2	
-29	400-653		BOLT - Clevis (AN21-9)	2	
	404-391		NUT - (AN320-1)	2	
	424-041		COTTER PIN - (AN380-1-2)	2	
-30	401-270	C	BOLT - (AN3-11A)	4	
	66546-000	B,D	BOLT	4	
	690-609		WASHER - (NAS1149F0332P)	4	
	404-526	C	NUT - (MS21042-3)	4	
	404-156	B,D	NUT - (MS21083N3)	4	
-31	400-653		BOLT - (AN21-9)	2	
	404-391		NUT - (AN320-1)	2	
	424-041		COTTER PIN - (AN380-1-2)	2	
-32	62852-000	C	STOP - Tee bar, left	1	
	68559-000	B	STOP - Tee bar, left	1	
	67193-000	D	STOP - Tee bar, left	1	
-33	62858-002		CHAIN - Control system (26.5" L)	2	
-34	62840-002		EYE BOLT - Turnbuckle, left	1	
	62840-003		EYE BOLT - Turnbuckle, right	1	
-35	489-910		BARREL - Turnbuckle (MS21251-B5S)	1	
-36	554-979		CLIP - Turnbuckle (MS21256-1)	2	
-37	401-310		BOLT - (AN4-10A)	2	
	62833-085		WASHER - (O.D. 1.50")	2	
	62833-086		WASHER - (O.D. .75")	2	
	404-530		NUT - (MS21042-4)	2	
-38	82732-076		BUSHING	3	
-39	400-056		BOLT - (AN3-11)	1	
	690-612		WASHER - (NAS1149F0463P)	1	
	404-392		NUT - (AN320-3)	1	
	424-051		COTTER PIN - (AN380-2-2)	1	
-40	66932-000	E	PIN ASSEMBLY - Control lock	1	
-41	66934 000	E	PLACARD - Control lock	1	
			A - Used on PA-28-140 with serial numbers 28-20002 and up PA-28-150, PA-28-160 and PA-28-180 with serial numbers 28-1 to 28-4377 inclusive and PA-28-235 with serial numbers 28-10003 to 28-11039 inclusive.		
			B - Used on PA-28-150, PA-28-160 and PA-28-180 with serial numbers 28-3378 to 28-4377 inclusive and PA-28-235 with serial numbers 28-10720 to 28-11039 inclusive.		
			C - Used on PA-28-150, PA-28-160 and PA-28-180 with serial numbers 28-1 to 28-3377 inclusive PA-28-235 with serial numbers 28-10003 to 28-10719 inclusive and PA-28-140 with serial numbers 28-20002 to 28-24999 inclusive.		
			D - Used on PA-28-140 with serial numbers 28-25000 and up.		
			E - Used on PA-28-140 with serial numbers 28-26401 to 28-7225612 inclusive.		

PA-28-140
PA-28-150
PA-28-160
PA-28-180
PA-28-235

When ordering, always specify Part Number, Description, and Serial Number of Aircraft

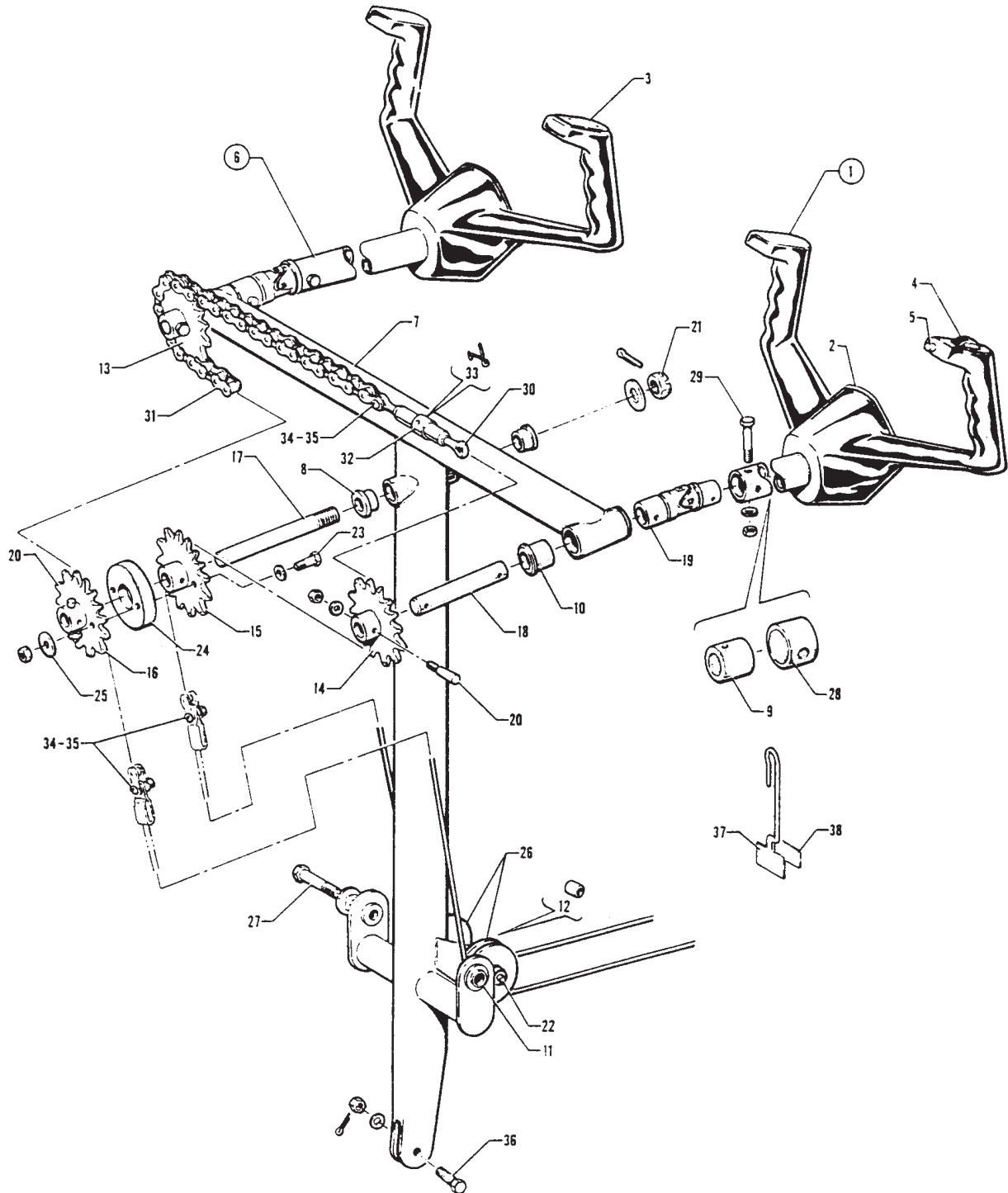


Figure 81. Control Wheel Installation
 (PA-28-180 - Serial Nos. 28-4378 and up)
 (PA-28-235 - Serial Nos. 28-11040 and up)
 (PA-28R-180 - Serial Nos. 28R-30005 to 28R-30481 inclusive, 28R-30483 and up)
 (PA-28R-200 - Serial Nos. 28R-30482, 28R-35001 and up)

PA-28-180
 PA-28-235
 PA-28R-180
 PA-28R-200

THIS PAGE INTENTIONALLY LEFT BLANK

PIPER PARTS CATALOG

Figure and Index Number	Part Number	Code	NOMENCLATURE	No. Req.	SERIAL NUMBERS AFFECTED
81-	67018 65580 35135	B C D	DRAWING - Control System Installation DRAWING - Control System Installation DRAWING - Control System Installation		
-1	79276-000	E	WHEEL ASSEMBLY - Control (left grip cored)	2	
-2	79275-000		* MEDALLION - Control wheel	1	
-3	67491-000		* PLATE - Control wheel cover (standard)	1	
-4	761-039		KIT - Electric trim switch assembly	1	
-5	67463-000		SWITCH ASSEMBLY - AutoFlite	1	
-6	67219-000	B	CONTROL COLUMN ASSEMBLY	1	
	62019-003	C	CONTROL COLUMN ASSEMBLY	1	
-7	67219-002	B	* TEE BAR ASSEMBLY - Control column	1	
	62703-033	C	* TEE BAR ASSEMBLY - Control column	1	
-8	452-372		* * BEARING - (F-504-2)	2	
-9	68557-000		* BUSHING - Control column	2	
-10	452-389		* BEARING - (F-825-2)	4	
-11	452-388		* BEARING - (F4DD)	2	
-12	62712-004		* BUSHING - Control column pulley	2	
-13	62845-002		* SPROCKET - Control column, right	1	
-14	62839-000		* SPROCKET ASSEMBLY - Control column, left	1	
-15	62778-000		* SPROCKET - Control column, center rear	1	
-16	63404-000		* SPROCKET - Control column, center rear	1	
-17	69077-000		* SHAFT - Control column, center	1	
-18	62716-007		* SHAFT - Control column	2	
-19	62834-002		* UNIVERSAL JOINT - Control column	2	
-20	480-730		* PIN - (AN386-1-6A)	5	
	494-093		* WASHER - (AN975-3)	5	
	404-156		* NUT - (MS21083N3)	5	
-21	690-630		* WASHER - (NAS1149F0763P)	1	
	404-104		* NUT - (AN310-7)	1	
	424-060		* COTTER PIN - (AN380-3-4)	1	
-22	401-333		* BOLT - (AN4-35A)	1	
	690-611		* WASHER - (NAS1149F0463P)	4	
	404-530		* NUT - (MS21042-4)	1	
-23	401-269		* BOLT - (AN3-10A)	2	
	690-612		* WASHER - (NAS1149F0363P)	2	
	690-609		* WASHER - (NAS1149F0332P)	2	
	404-526		* NUT - (MS21042-3)	2	
			A - Used on PA-28-180 with serial numbers 28-4378 and up, PA-28-235 with serial numbers 28-11040 and up, PA-28R-180 and PA-28R-200.		
			B - Used on PA-28R-180 and PA-28R-200 airplanes only.		
			C - Used on PA-28-180 with serial numbers 28-4378 and up, and PA-28-235 with serial numbers 28-11040 and up.		
			D - Used on PA-28-180 with serial numbers 28-7405001 to 28-7505079 inclusive, PA-28-235 with serial numbers 28-7410001 to 28-7510027 inclusive, and PA-28R-200 with serial numbers 28R-7435001 to 28R-7535076 inclusive.		
			E - Control wheel assembly does not include switches. Order desired switches separately.		

When ordering, always specify Part Number, Description, and Serial Number of Aircraft

PIPER PARTS CATALOG

Figure and Index Number	Part Number	Code	NOMENCLATURE	No. Req.	SERIAL NUMBERS AFFECTED
81 -24	62782-000		* SPACER - Control column	1	
-25	62784-000		* WASHER - Control column	2	
-26	481-651		* PULLEY - Control column (MS20220-1)	2	
-27	401-310		BOLT - (AN4-10A)	2	
	62833-085		WASHER - (O.D. 1.50")	2	
	62833-086		WASHER - (O.D. .75")	2	
	404-530		NUT - (MS21042-4)	2	
-28	67193-000	F	STOP - Tee bar, left	1	
	67193-003	G	STOP - Tee bar, left	1	
	67193-004	E	STOP - Tee bar, left	1	
-29	66546-000		BOLT - Special	4	
	690-609		WASHER - (NAS1149F0332P)	4	
	404-156		NUT - (MS21083N3)	4	
-30	62840-002		EYE BOLT - Turnbuckle, left	1	
	62840-003		EYE BOLT - Turnbuckle, right	1	
-31	62858-002		CHAIN - Control	2	
-32	489-910		BARREL - Turnbuckle (MS21251-B5S)	1	
-33	554-979		CLIP - Turnbuckle (MS21256-1)	2	
-34	82732-076		BUSHING - Control chain	4	
-35	400-653		BOLT - (AN21-9)	4	
	690-640		WASHER - (NAS1149FN632P)	4	
	404-391		NUT - (AN320-1)	4	
	424-041		COTTER PIN - (AN380-1-2)	4	
-36	400-055	B	BOLT - (AN3-10)	1	
	400-056	C	BOLT - (AN3-11)	1	
	690-609		WASHER - (NAS1149F0332P)	1	
	690-612	C	WASHER - (NAS1149F0363P)	1	
	404-392		NUT - (AN320-3)	1	
	424-051		COTTER PIN - (MS23665-132)	1	
-37	66932-000	D	PIN ASSEMBLY - Control lock	1	
-38	66934-000	D	* PLACARD - Control lock	1	
<p>A - Used on PA-28-180 with serial numbers 28-4378 and up, PA-28-235 with serial numbers 28-11040 and up, PA-28R-180 and PA-28R-200.</p> <p>B - Used on PA-28R-180 and PA-28R-200 airplanes only.</p> <p>C - Used on PA-28-180 with serial numbers 28-4378 and up, and PA-28-235 with serial numbers 28-11040 and up.</p> <p>D - Used on PA-28-180 with serial numbers 28-5601 to 28-7205328 inclusive, PA-28R-180 with serial numbers 28R-31251 to 28R-7130019 inclusive, PA-28R-200 with serial numbers 28R-35601 to 28R-7235330 inclusive, and PA-28-235 with serial numbers 28-11301 to 28-7210033 inclusive.</p> <p>E - Used on PA-28-180 with serial numbers 28-7305001 and up.</p> <p>F - Used on PA-28-180 with serial numbers 28-4378 to 28-7205328 inclusive, PA-28-235 with serial numbers 28-11040 to 28-7210033 inclusive, PA-28R-180 with serial numbers 28R-30005 to 28R-7130019 inclusive, and PA-28R-200 with serial numbers 28R-30482, 28R-35001 to 28R-7235330 inclusive.</p> <p>G - Used on PA-28-235 with serial numbers 28-7310001 and up, and PA-28R-200 with serial numbers 28R-7335001 and up.</p>					

When ordering, always specify Part Number, Description, and Serial Number of Aircraft

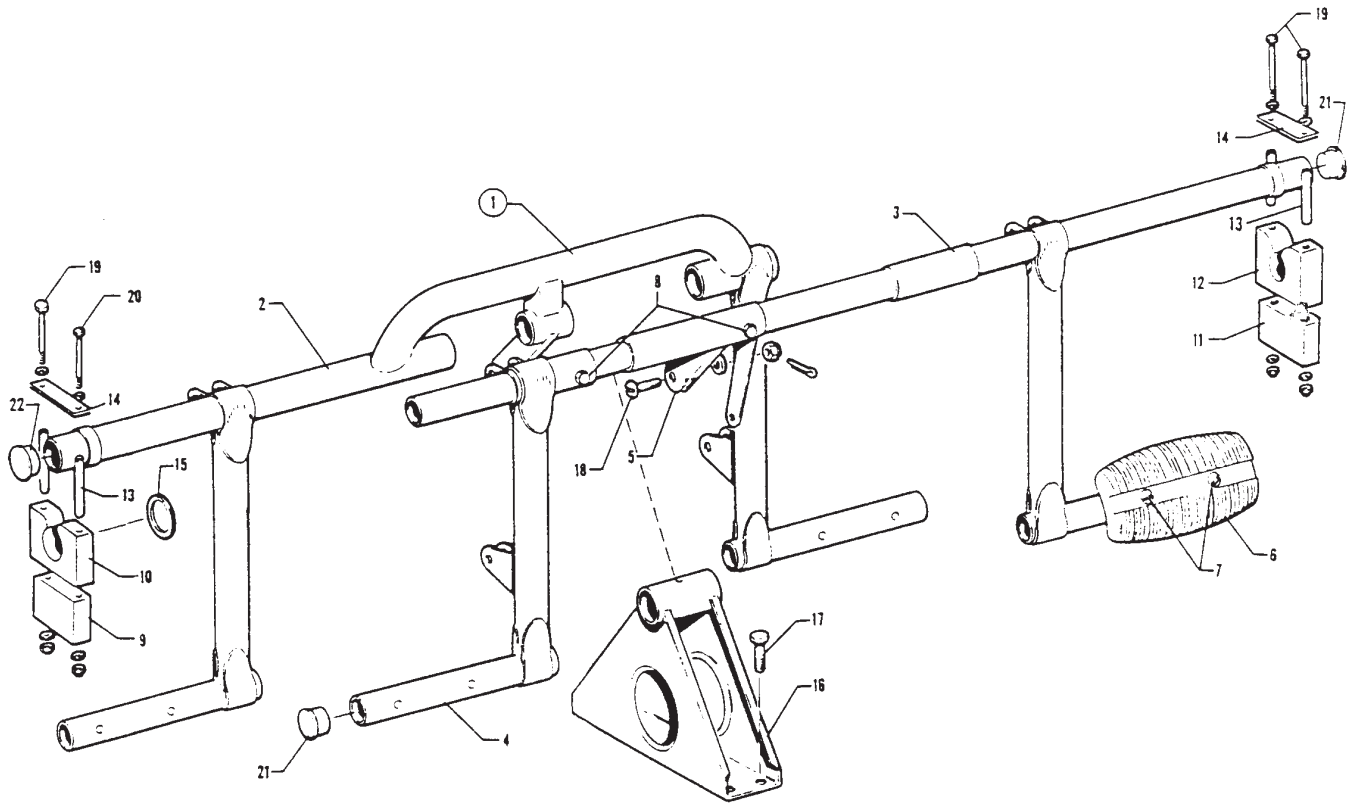


Figure 82. Rudder Pedal Installation

PA-28-140
PA-28-150
PA-28-160
PA-28-180
PA-28-235

THIS PAGE INTENTIONALLY LEFT BLANK

PIPER PARTS CATALOG

Figure and Index Number	Part Number	Code	NOMENCLATURE	No. Req.	SERIAL NUMBERS AFFECTED	
82 -1	63459-013	D	RUDDER PEDAL ASSEMBLY - Complete	1		
	63459-008	F	RUDDER PEDAL ASSEMBLY - Complete	1		
	63459-014	C	RUDDER PEDAL ASSEMBLY - Complete	1		
	63459-009	E	RUDDER PEDAL ASSEMBLY - Complete	1		
	63459-015	G	RUDDER PEDAL ASSEMBLY - Complete	1		
	63459-016	H	RUDDER PEDAL ASSEMBLY- Complete	1		
	63459-017	J	RUDDER PEDAL ASSEMBLY- Complete	1		
	63459-019	K	RUDDER PEDAL ASSEMBLY - Complete	1		
	-2	62717-000	A	* PEDAL AND BAR ASSEMBLY	1	
		62717-002	B	* PEDAL AND BAR ASSEMBLY	1	
				<p>A - Used on airplanes with serial numbers 28-1 to 28-670 inclusive.</p> <p>B - Used on PA-28-140 with serial numbers 28-20002 to 28-20520 inclusive, PA-28-150, PA-28-160 and PA-28-180 with serial numbers 28-671 to 28-1760 inclusive, and PA-28-235 with serial numbers 28-10003 to 28-10486 inclusive.</p> <p>C - Used on PA-28-140 with serial numbers 28-21846 to 28-21930 inclusive, 28-21935 to 28-24999 inclusive, PA-28-150, PA-28-160 and PA-28-180 with serial numbers 28-3378 to 28-5070 inclusive, and PA-28-235 with serial numbers 28-11040 to 28-11080 inclusive if dual toe brakes are installed.</p> <p>D - Used on PA-28-140 with serial numbers 28-21846 to 28-21930 inclusive, 28-21935 to 28-24999 inclusive, PA-28-150, PA-28-160 and PA-28-180 with serial numbers 28-3378 to 28-5070 inclusive, and PA-28-235 with serial numbers 28-11040 to 28-11080 inclusive if left toe brake only is installed.</p> <p>E - Used on PA-28-235 with serial numbers 28-10720 to 28-11039 inclusive if dual toe brakes are installed.</p> <p>F - Used on PA-28-235 with serial numbers 28-10720 to 28-11039 inclusive if left toe brake only is installed.</p> <p>G - Used on PA-28-140 with serial numbers 28-25000 to 28-7325684 inclusive, PA-28-180 with serial numbers 28-5071 to 28-7305611 inclusive if toe brakes are not installed.</p> <p>H - Used on PA-28-140 with serial numbers 28-25000 to 28-7325684 inclusive, PA-28-180 with serial numbers 28-5071 to 28-7305611 inclusive, and PA-28-235 with serial numbers 28-11081 to 28-7310187 inclusive if left toe brake only is installed.</p> <p>J - Used on PA-28-140 with serial numbers 28-25000 to 28-7325684 inclusive, PA-28-180 with serial numbers 28-5071 to 28-7305611 inclusive, and PA-28-235 with serial numbers 28-11081 to 28-7310187 inclusive if dual toe brakes are installed.</p> <p>K - Used on PA-28-140 with serial numbers 28-7425001 and up, PA-28-180 with serial numbers 28-7405001 and up, and PA-28-235 with serial numbers 28-7410001 and up.</p>		

PA-28-140
PA-28-150
PA-28-160
PA-28-180
PA-28-235

When ordering, always specify Part Number, Description, and Serial Number of Aircraft

PIPER PARTS CATALOG

Figure and Index Number	Part Number	Code	NOMENCLATURE	No. Req.	SERIAL NUMBERS AFFECTED
82 -2	63420-000	C,D	* PEDAL AND BAR ASSEMBLY	1	
	63420-003	J	* PEDAL AND BAR ASSEMBLY	1	
	63420-005	E	* PEDAL AND BAR ASSEMBLY	1	
	63420-008	H	* PEDAL AND BAR ASSEMBLY	1	
	62723-000	A	* PEDAL AND BAR ASSEMBLY	1	
-3	62723-002	B	* PEDAL AND BAR ASSEMBLY	1	
	63419-000	F	* PEDAL AND BAR ASSEMBLY	1	
	62721-000	A	* PEDAL AND BAR ASSEMBLY	1	
-4	62721-002	B	* PEDAL AND BAR ASSEMBLY	1	
	63458-000	C,G	* PEDAL AND BAR ASSEMBLY	1	
	63458-002	E	* PEDAL AND BAR ASSEMBLY	1	
	63458-005	H	* PEDAL AND BAR ASSEMBLY	1	
	62722-000	B,K,P	* ARM ASSEMBLY - Connector	1	
	63457-003	L,M,P	* ARM ASSEMBLY - Connector	1	
-5	66661-000	N,P	* ARM ASSEMBLY - Connector	1	
			A - Used on airplanes with serial numbers 28-1 to 28-670 inclusive.		
			B - Used on PA-28-140 with serial numbers 28-20002 to 28-20520 inclusive, PA-28-150, PA-28-160 and PA-28-180 with serial numbers 28-671 to 28-1760 inclusive, and PA-28-235 with serial numbers 28-10003 to 28-10486 inclusive.		
			C - Used on PA-28-150, PA-28-160 and PA-28-180 with serial numbers 28-1761 to 28-3377 inclusive, and PA-28-140 with serial numbers 28-20521 to 28-21845 inclusive, 28-21931 to 28-21934 inclusive.		
			D - Used on PA-28-235 with serial numbers 28-10487 to 28-10719 inclusive.		
			E - Used on PA-28-150, PA-28-160 and PA-28-180 with serial numbers 28-3378 to 28-7305611 inclusive, PA-28-140 with serial numbers 28-21846 to 28-2 1930 inclusive, 28-21935 to 28-7325684 inclusive, and PA-28-235 with serial numbers 28-11040 to 28-7310187 inclusive.		
			F - Used on PA-28-150, PA-28-160 and PA-28-180 with serial numbers 28-1761 and up, PA-28-140 with serial numbers 28-20521 and up, and PA-28-235 with serial numbers 28-10487 and up.		
			G - Used on PA-28-235 with serial numbers 28-10487 to 28-11039 inclusive.		
			H - Used on PA-28-140 with serial numbers 28-7425001 and up, PA-28-180 with serial numbers 28-7405001 and up, and PA-28-235 with serial numbers 7410001 and up.		
			J - Used on PA-28-235 with serial numbers 28-10720 to 28-11039 inclusive.		
			K - Used on PA-28-150 and PA-28-160 with serial numbers 28-1 to 28-670 inclusive.		
			L - Used on PA-28-235 with serial numbers 28-10487 to 28-11080 inclusive.		
			M - Used on PA-28-150, PA-28-160 and PA-28-180 with serial numbers 28-1761 to 28-5070 inclusive, and PA-28-140 with serial numbers 28-20521 to 28-24999 inclusive.		
			N - Used on PA-28-140 with serial numbers 28-25000 and up, PA-28-180 with serial numbers 28-5071 and up, and PA-28-235 with serial numbers 28-11081 and up.		
			P - Reference Piper Service Bulletin 237 on Rudder Trim Installation Modification.		

When ordering, always specify Part Number, Description, and Serial Number of Aircraft

PA-28-140
PA-28-150
PA-28-160
PA-28-180
PA-28-235

PIPER PARTS CATALOG

Figure and Index Number	Part Number	Code	NOMENCLATURE	No. Req.	SERIAL NUMBERS AFFECTED
82 -6	62866-000	B,F	** PAD ASSEMBLY - Rudder control	4	
	62866-000	G	** PAD ASSEMBLY - Rudder control	2	
-7	400-869		** BOLT - (AN23-17A)	8	
	690-612		** WASHER - (NAS1149F0363P)	8	
	404-156		** NUT - (MS21083N3)	8	
-8	400-008	D	** BOLT - (AN4-13A)	2	
	691-309	E	** BOLT - (NAS6604-15)	2	
	690-613	D	** WASHER - (NAS1149F0432P)	2	
	690-613	E	** WASHER - (NAS1149F0432P)	4	
	404-561	D	** NUT - (MS21045-4)	2	
	404-530	E	** NUT - (MS21042-4)	2	
-9	62579-000		* BLOCK - Rudder bar support, left bottom	1	28-1 to 28-990 inclusive
	63456-000	C	* BLOCK - Rudder bar support, left bottom	1	
-10	62577-000		* BLOCK - Rudder bar support, left top	1	28-1 to 28-990 inclusive
	63276-000	A	* BLOCK - Rudder bar support, left complete	1	
	65050-000	C	* BLOCK - Rudder bar support, left top	1	
-11	62580-000		* BLOCK - Rudder bar support, right bottom	1	28-1 to 28-990 inclusive
	63456-000	C	* BLOCK - Rudder bar support, right bottom	1	
-12	62578-000		* BLOCK - Rudder bar support, right top	1	28-1 to 28-990 inclusive
	63277-000	A	* BLOCK - Rudder bar support, right complete	1	
	65050-000	C	* BLOCK - Rudder bar support, right top	1	
-13	65003-003	C	* BUSHING - Rudder bar support	4	
-14	63455-000	C	* PLATE - Rudder bar support	6	
-15	62833-017	C	* WASHER - Rudder bar support	2	
			A - Used on PA-28-140 with serial numbers 28-20002 to 28-20520 inclusive, PA-28-150, PA-28-160 and PA-28-180 with serial numbers 28-991 to 28-1760 inclusive, and PA-28-235 with serial numbers 28-10003 to 28-10486 inclusive.		
			B - Used on PA-28-140 with serial numbers 28-20002 to 28-20520 inclusive, PA-28-150, PA-28-160 and PA-28-180 with serial numbers 28-671 to 28-1760 inclusive, and PA-28-235 with serial numbers 28-10003 to 28-10486 inclusive.		
			C - Used on PA-28-150, PA-28-160 and PA-28-180 with serial numbers 28-1761 and up, PA-28-235 with serial numbers 28-10487 and up, and PA-28-140 with serial numbers 28-20521 and up.		
			D - Used on PA-28-140 with serial numbers 28-20002 to 28-24381 inclusive, PA-28-150, PA-28-160 and PA-28-180 with serial numbers 28-1 to 28-4856 inclusive, and PA-28-235 with serial numbers 28-10003 to 28-11043 inclusive.		
			E - Used on PA-28-140 with serial numbers 28-24382 and up, PA-28-180 with serial numbers 28-4857 and up, and PA-28-235 with serial numbers 28-11040 and up.		
			F - Used on PA-28-150, PA-28-160 and PA-28-180 with serial numbers 28-1761 and up, and PA-28-140 with serial numbers 28-20521 and up.		
			G - Used on PA-28-235 with serial numbers 28-10487 to 28-11080 inclusive.		

PA-28-140
PA-28-150
PA-28-160
PA-28-180
PA-28-235

When ordering, always specify Part Number, Description, and Serial Number of Aircraft

PIPER PARTS CATALOG

Figure and Index Number	Part Number	Code	NOMENCLATURE	No. Req.	SERIAL NUMBERS AFFECTED
82 -16	62744-000	B	* SUPPORT ASSEMBLY - Rudder bar	1	
	63451-000	A	* SUPPORT ASSEMBLY - Rudder bar	1	
-17	400-438		* BOLT - (AN3-4A)	4	
-18	400-672		* BOLT - (AN23-10)	2	
	690-612		* WASHER - (NAS1149F0363P)	2	
	404-392		* NUT - (AN320-3)	2	
	424-051		* COTTER PIN - (AN380-2-2)	2	
-19	400-451	B	* BOLT - (AN3-20A)	3	
	400-456	A	* BOLT - (AN3-31A)	3	
	690-612	B	* WASHER - (NAS1149F0363P)	3	
	404-526		* NUT - (MS21042-3)	3	
-20	400-448	B	* BOLT - (AN3-22A)	1	
	400-457	A	* BOLT - (AN3-32A)	1	
	690-612	B	* WASHER - (NAS1149F0363P)	1	
	404-526		* NUT - (MS21042-3)	1	
-21	581-332		* PLUG - Rudder pedal assembly	9	
-22	581-330		* PLUG - Rudder pedal assembly	1	
<p>A - Used on PA-28-150, PA-28-160 and PA-28-180 with serial numbers 28-1761 and up, PA-28-235 with serial numbers 28-10487 and up, and PA-28-140 with serial numbers 28-20521 and up.</p> <p>B - Used on PA-28-140 with serial numbers 28-20002 to 28-20520 inclusive, PA-28-150, PA-28-160 and PA-28-180 with serial numbers 28-1 to 28-1760 inclusive, and PA-28-235 with serial numbers 28-10003 to 28-10486 inclusive.</p>					

When ordering, always specify Part Number, Description, and Serial Number of Aircraft

PA-28-140
PA-28-150
PA-28-160
PA-28-180
PA-28-235

THIS PAGE INTENTIONALLY LEFT BLANK

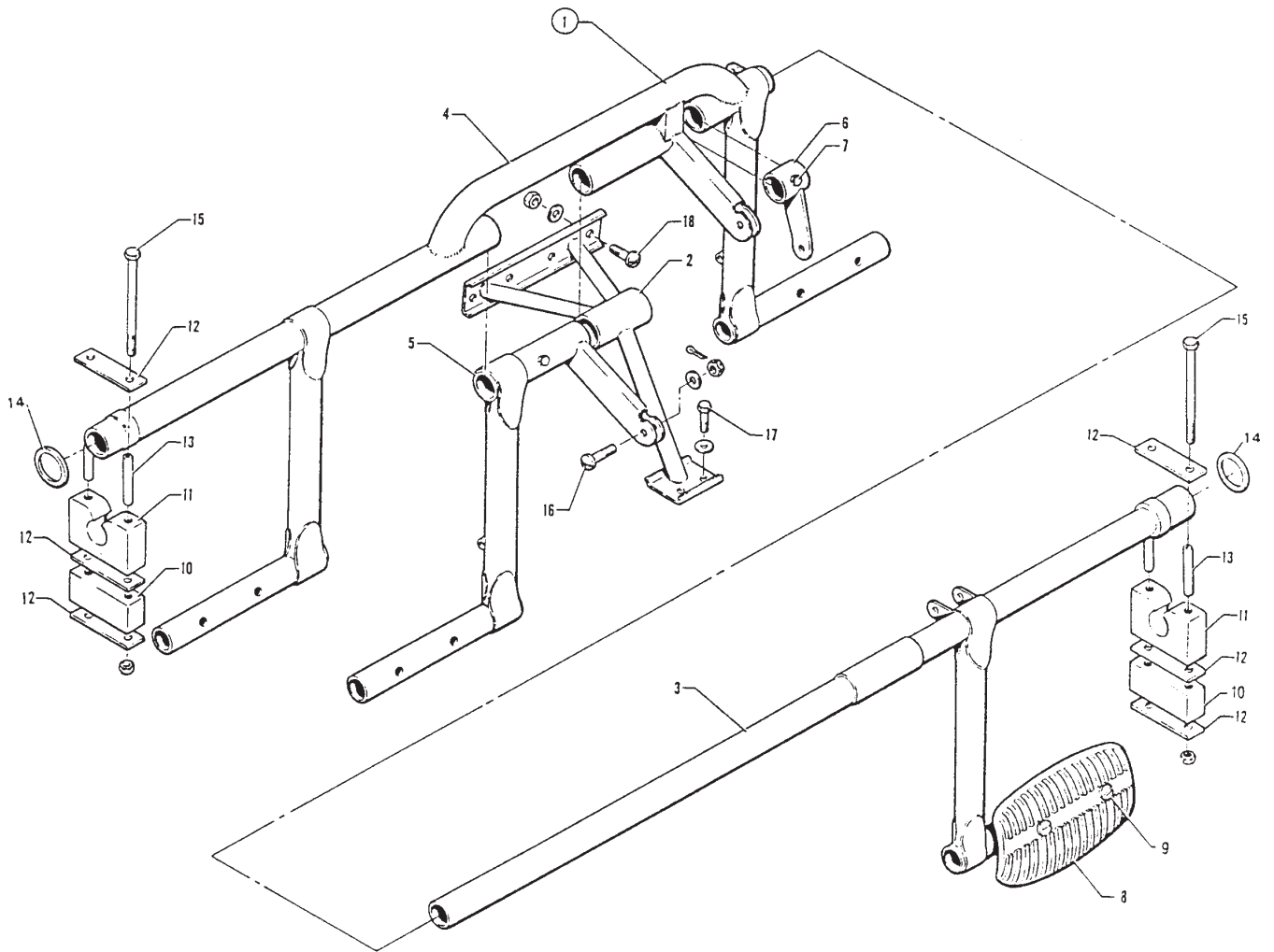


Figure 83. Rudder Pedal Installation

THIS PAGE INTENTIONALLY LEFT BLANK

PIPER PARTS CATALOG

Figure and Index Number	Part Number	Code	NOMENCLATURE	No. Req.	SERIAL NUMBERS AFFECTED
83-	67018		DRAWING -Control System Installation		
-1	67180-003	D	RUDDER PEDAL ASSEMBLY - Complete	1	
	67180-004	E	RUDDER PEDAL ASSEMBLY - Complete	1	28R-7435001 and up
-2	67176-000		* SUPPORT ASSEMBLY - Rudder bar	1	
-3	63419-000		* PEDAL AND BAR ASSEMBLY	1	
-4	67174-000	D	* PEDAL AND BAR ASSEMBLY	1	
	67174-002	E	* PEDAL AND BAR ASSEMBLY	1	28R-7435001 and up
-5	67173-000	D	* PEDAL AND BAR ASSEMBLY	1	
	67173-003	E	* PEDAL AND BAR ASSEMBLY	1	28R-7435001 and up
-6	67171-000		* ARM ASSEMBLY - Rudder control	1	
-7	400-008	B	* BOLT - (AN4-13A)	2	
	691-309	C	* BOLT - (NAS6604-15)	2	
	690-613		* WASHER - (NAS1149F0432P)	2	
	404-561	B	* NUT - (MS21045-4)	2	
	404-530	C	* NUT - (MS21042-4)	2	
-8	62866-000	A,D	PAD ASSEMBLY - Rudder control	2	
-9	400-869	A,D	BOLT - (AN23-17A)	4	
	690-612	A,D	WASHER - (NAS1149F0363P)	4	
	404-156	A,D	NUT - (MS21083N3)	4	
-10	63456-000		BLOCK - Rudder bar support, bottom	2	
-11	65050-000		BLOCK - Rudder bar support, top	2	
-12	63455-000		PLATE - Rudder bar support	6	
-13	65003-003		BUSHING - Rudder bar support	4	
-13a	65003-037		BUSHING 2		
-14	62833-017		WASHER - Rudder bar support	2	
-15	400-456		BOLT - (AN3-31A)	4	
	404-526		NUT - (MS21042-3)	4	
-16	400-673		BOLT - (AN23-11)	2	
	690-612		WASHER - (NAS1149F0363P)	2	
	404-392		NUT - (AN320-3)	2	
	424-051		COTTER PIN - (AN380-2-2)	2	
-17	400-438		BOLT - (AN3-4A)	2	
	690-612		WASHER - (NAS1149F0363P)	2	
-18	401-266		BOLT - (AN3-5A)	4	
	690-612		WASHER - (NAS1149F0363P)	8	
	404-526		NUT - (MS21042-3)	4	
			A - Used if left toe brake only is installed.		
			B - Used on PA-28R-180 with serial numbers 28R-30005 to 28R-30481 inclusive, 28R-30483 to 28R-30613 inclusive.		
			C - Used on PA-28R-180 with serial numbers 28R-30614 and up, and PA-28R-200 with serial numbers 28R-30482, 28R-35001 and up.		
			D - Used on PA-28R-180 with serial numbers 28R-30005 to 28R-7130019 inclusive, and PA-28R-200 with serial numbers 28R-30482, 28R-35001 to 28R-7335455 inclusive.		
			E - Used on PA-28R-200 airplanes only.		

When ordering, always specify Part Number, Description, and Serial Number of Aircraft

THIS PAGE INTENTIONALLY LEFT BLANK

SECTION 9

HYDRAULIC SYSTEM GROUP

THIS PAGE INTENTIONALLY LEFT BLANK

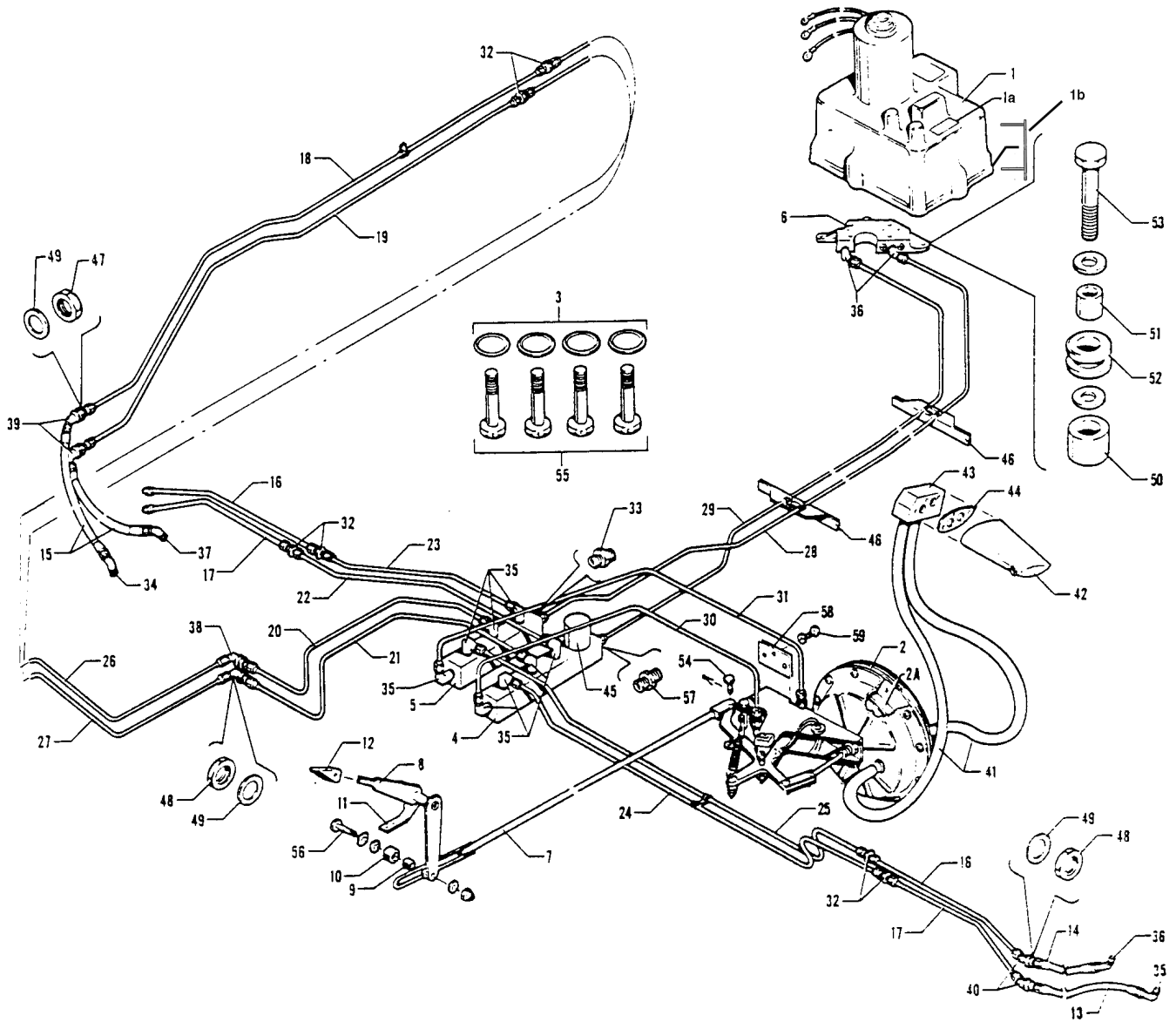


Figure 84. Hydraulic System Installation (Without SB 866 Installed)

THIS PAGE INTENTIONALLY LEFT BLANK

PIPER PARTS CATALOG

Figure and Index Number	Part Number	Code	NOMENCLATURE	No. Req.	SERIAL NUMBERS AFFECTED
84-	67500		DRAWING - Hydraulic Landing Gear Installation		
-1	38998-003		PUMP ASSEMBLY - Hydraulic	1	
-1a	87369-022		* PLACARD - Hydraulic fluid specification	1	
-1b	38996-002		BRACKET ASSEMBLY - Hydraulic pump mount	1	30001 up to 71003 and 35001 up to 7635462
-2	492-200	K	VALVE ASSEMBLY - Gear free fall (HPC-77E4)	1	
	484-686	K	O-RING - Gear free fall (AN-6227-1)	1	
-2a	761-138		DIAPHRAGM REPLACEMENT KIT	1	
-3	484-788		O-RING - Hydraulic pump mount (MS28778-6)	4	
-4	67520-000		MANIFOLD - Hydraulic, left	1	
-5	67521-000		MANIFOLD - Hydraulic, right	1	
-6	38995-002		MOUNT ASSEMBLY - Hydraulic pump	1	
-7	67578-000	C	ROD ASSEMBLY - Emergency gear extender	1	
	67747-000	G	ROD ASSEMBLY - Emergency gear extender	1	
	67747-005	H	ROD ASSEMBLY - Emergency gear extender	1	28R-7235001 and up
-8	67566-000		LEVER ASSEMBLY - Emergency gear extender	1	
-9	65003-036	C	BUSHING - Emergency gear extender rod	1	
	65003-018	D	BUSHING - Emergency gear extender rod	1	
-10	63882-035	C	SLEEVE - Emergency gear extender rod	1	
-11	67583-000		SPRING - Emergency gear extender lever	1	28R-30005 to 28R-30253 incl.
	67713-000		SPRING - Emergency gear extender lever	1	28R-30254 and up
-12	22287-003	A	KNOB ASSEMBLY - Emergency gear lever	1	
	66980-000	B	KNOB - Emergency gear lever	1	
-13	63901-021		HOSE ASSEMBLY - Main gear cylinder	2	
-14	63901-030		HOSE ASSEMBLY - Main gear cylinder	2	
-15	63901-041	J	HOSE ASSEMBLY - Nose gear cylinder	2	
-16	67700-016		TUBE ASSEMBLY - Main gear cylinder	2	
-17	67700-007		TUBE ASSEMBLY - Main gear cylinder	2	
<p>A - Used on PA-28R-180 with serial number 28R-30005 to 28R-30481 inclusive, 28R-30483 to 28R-31250 inclusive, and PA-28R-200 with serial numbers 28R-30482, 28R-35001 to 28R-35600 inclusive.</p> <p>B - Used on PA-28R-180 with serial numbers 28R-31251 and up, and PA-28R-200 with serial number 28R-35601 and up.</p> <p>C - Used on PA-28R-180 with serial numbers 28R-30005 to 28R-30481 inclusive, 28R-30483 to 28R-31078 inclusive.</p> <p>D - Used on PA-28R-180 with serial numbers 28R-31079 and up, and PA-28R-200 with serial numbers 28R-30482, 28R-35001 and up.</p> <p>E - Used on PA-28R-180 with serial numbers 28R-30005 to 28R-31279 inclusive, and PA-28R-200 with serial numbers 28R-30482, 28R-35001 to 28R-7135039 inclusive.</p> <p>F - Used on PA-28R-180 with serial numbers 28R-7130001 and up, and PA-28R-200 with serial numbers 28R-7135040 and up.</p> <p>G - Used on PA-28R-180 with serial numbers 28R-30005 to 28R-7130019 inclusive, and PA-28R-200 with serial number 28R-30482, 28R-35001 to 28R-7135238 inclusive.</p> <p>H - Used on PA-28R-200 airplanes only.</p> <p>J - Reference the latest version of Piper Service Bulletin 611 for information on hose assembly inspection and replacement.</p> <p>K - Caution: Valve assembly and O-ring required only if Kit 765-303, back up gear extender removal, has been installed per Piper Service Bulletin 866.</p>					

When ordering, always specify Part Number, Description, and Serial Number of Aircraft

PIPER PARTS CATALOG

Figure and Index Number	Part Number	Code	NOMENCLATURE	No. Req.	SERIAL NUMBERS AFFECTED
84 -18	67700-009	E	TUBE ASSEMBLY - Nose gear cylinder, top	1	
	67700-060	F	TUBE ASSEMBLY - Nose gear cylinder, too	1	28R-7235001 and up
-19	67700-008	E	TUBE ASSEMBLY - Nose gear cylinder, bottom	1	
	67700-059	F	TUBE ASSEMBLY - Nose gear cylinder, bottom	1	28R-7235001 and up
-20	67700-015		TUBE ASSEMBLY - Nose gear to left manifold	1	
-21	67700-014		TUBE ASSEMBLY - Nose gear to right manifold	1	
-22	67700-016		TUBE ASSEMBLY - Main gear to left manifold	1	
-23	67700-017		TUBE ASSEMBLY - Main gear to right manifold	1	
-24	67700-031		TUBE ASSEMBLY - Main gear to left manifold	1	
-25	67700-019		TUBE ASSEMBLY - Main gear to right manifold	1	
-26	67700-021	E	TUBE ASSEMBLY - Nose gear, top	1	
	67700-061	F	TUBE ASSEMBLY - Nose gear, top	1	28R-7235001 and up
-27	67700-022	E	TUBE ASSEMBLY - Nose gear, bottom	1	
	67700-062	F	TUBE ASSEMBLY - Nose gear, bottom	1	28R-7235001 and up
-28	67700-024		TUBE ASSEMBLY - Hydraulic pump to left manifold	1	
-29	67700-023		TUBE ASSEMBLY - Hydraulic pump to right manifold	1	
-30	67700-034		TUBE ASSEMBLY - Hydraulic valve to left manifold	1	
-31	67700-035		TUBE ASSEMBLY - Hydraulic valve to right manifold	1	
-32	491-050		UNION - (AN815-4D)	6	
-33	476-648		NIPPLE - (AN816-4D)	1	
-34	67524-000		ELBOW - Restricted	1	
-35	458-894		ELBOW - (AN822-4D)	10	
-36	558-806		ELBOW - (MS20823-4D)	4	
-37	559-082		ELBOW - (MS20823-4)	1	
-38	458-900		ELBOW - (AN833-4D)	2	
-39	458-938	A	ELBOW - (AS1040-0404)	2	
	458-934	B	ELBOW - (AN833-4)	2	
-40	458-910		ELBOW - (AS1040D0404)	4	
-41	63913-066		HOSE - Flexible, vacuum	2	
-42	67559-000	C	HEAD - Pressure vacuum (unheated)	1	
	67731-000	D	HEAD - Pressure vacuum (unheated)	1	
	67738-000		HEAD ASSEMBLY - Pressure vacuum (heated)	1	
-43	67589-000	C	BLOCK ASSEMBLY - Vacuum head	1	
	67743-002	D	BLOCK ASSEMBLY - Vacuum head (for heated head)	1	
-44	67588-000	C	GASKET - Vacuum head block	2	
	67732-000	D	GASKET - Vacuum head block	2	
	67732-000		GASKET - Vacuum head block (for heated head)	2	
			A - Used on PA-28R-180 with serial numbers 28R-30005 to 28R-30481 inclusive, 28R-30483 to 28R-31090 inclusive.		
			B - Used on PA-28R-200 with serial numbers 28R-30482, 28R-35001 and up.		
			C - Used on PA-28R-180 with serial numbers 28R-30005 to 28R-30481 inclusive, 28R-30483 to 28R-30878 inclusive.		
			D - Used on PA-28R-180 with serial numbers 28R-30879 and up, and PA-28R-200 with serial numbers 28R-30482, 28R-35001 and up.		
			E - Used on PA-28R-180 with serial numbers 28R-30005 to 28R-7130019 inclusive, and PA-28R-200 with serial numbers 28R-30482, 28R-35001 to 28R-7135238 inclusive.		
			F - Used on PA-28R-200 airplanes only.		

When ordering, always specify Part Number, Description, and Serial Number of Aircraft

PIPER PARTS CATALOG

Figure and Index Number	Part Number	Code	NOMENCLATURE	No. Req.	SERIAL NUMBERS AFFECTED
84 -45	487-937		SWITCH - Pressure (211C243-3)	1	
-46	67534-000		ANGLE ASSEMBLY - Hydraulic line	2	
-47	477-629		NUT - (AN924-4)	2	
-48	477-618		NUT - (AN924-4D)	6	
-49	690-630		WASHER - (NAS1149F0763P)	8	
-50	65003-021		BUSHING - Hydraulic pump mount	3	
-51	65003-030		BUSHING - Hydraulic pump mount	3	
-52	434-120		GROMMET - (AN931-B4-7)	3	
-53	400-443		BOLT - (AN3-12A)	3	
	494-192		WASHER - (5712-45)	6	
-54	424-139	A	PIN - Flathead (MS20392-1C13)	1	
	690-621	A	WASHER - (NAS1149F0N416P)	1	
	424-077	A	COTTER PIN - (AN381-2-5)	1	
-55	401-300		BOLT - (AN44-13A)	4	
-56	400-440	A	BOLT - (AN3-6A)	1	
	400-438	B	BOLT - (AN3-4A)	1	
	690-609		WASHER - (NAS1149F0332P)	2	
	494-133		WASHER - (1/4 I.D. Nylon)	2	
	404-526		NUT - (MS21042-3)	1	
-57	476-648		NIPPLE - (AN816-4D)	1	
	67600-000		NIPPLE - Restricted	1	
-58	67749-000	B	GUIDE ASSEMBLY - Diaphragm rod	1	
-59	400-437		BOLT - (AN3-3A)	2	
	690-609		WASHER - (NAS1149F0332P)	2	
	404-526		NUT - (MS21042-3)	2	
			A - Used on PA-28R-180 with serial numbers 28R-30005 to 28R-30481 inclusive, 28R-30483 to 28R-31078 inclusive.		
			B - Used on PA-28R-180 with serial numbers 28R-31079 and up, and PA-28R-200 with serial numbers 28R-30482, 28R-35001 and up.		

When ordering, always specify Part Number, Description, and Serial Number of Aircraft

THIS PAGE INTENTIONALLY LEFT BLANK

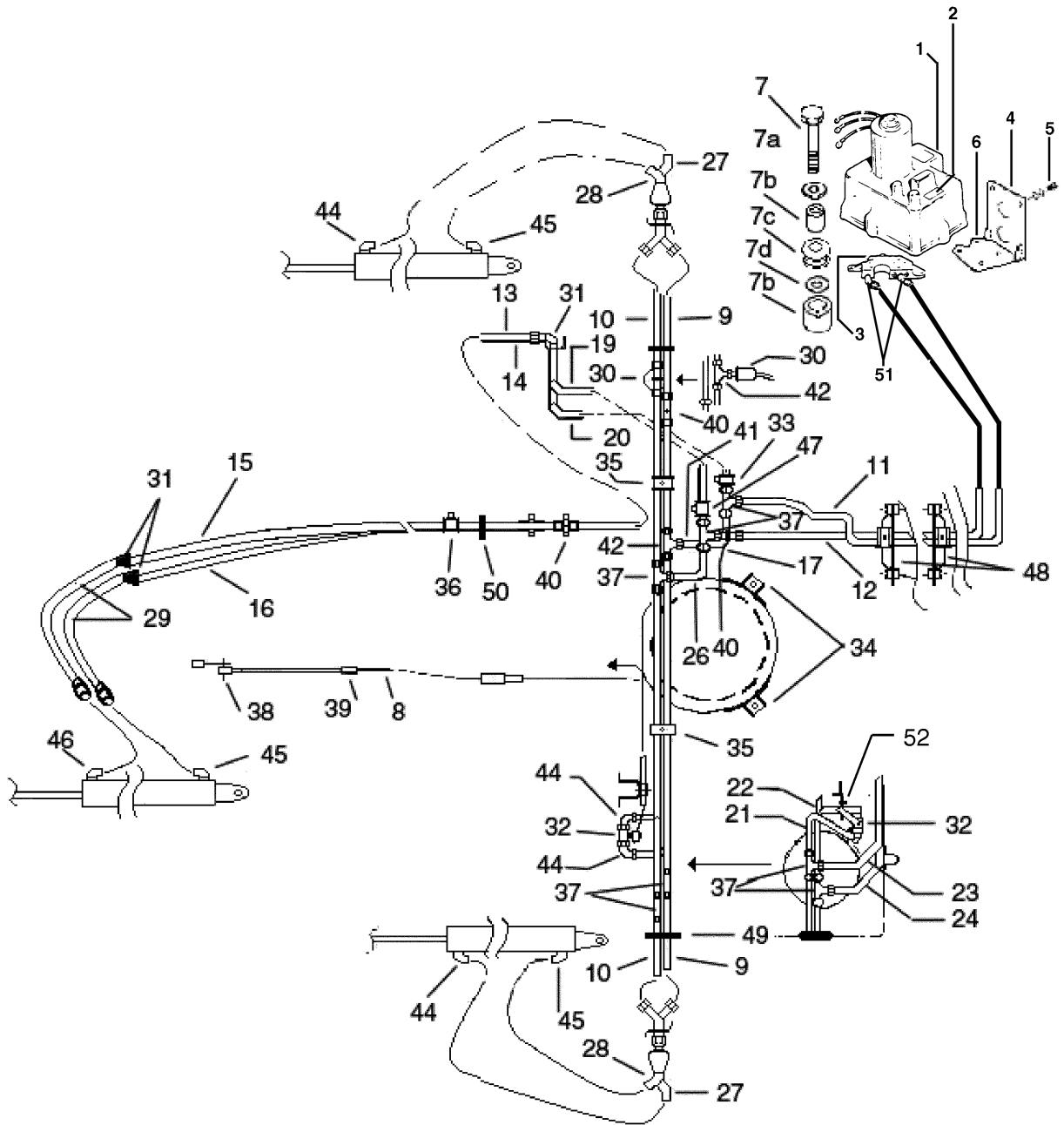


Figure 84A. Hydraulic System Installation (With SB 866 Installed)
 (PA-28R-180 - Serial Nos. 28R-30004 thru 28R-7130013)
 (PA-28R-200 - Serial Nos. 28R-35001 thru 28R-7635545)

THIS PAGE INTENTIONALLY LEFT BLANK

PIPER PARTS CATALOG

Figure and Index Number	Part Number	Code	NOMENCLATURE	No. Req.	SERIAL NUMBERS AFFECTED
84A-	67500		DRAWING - Hydraulic Landing Gear Installation		
-1	96671-002		PUMP ASSEMBLY - Hydraulic	1	
-2	761-834		* PLACARD - Hydraulic fluid specification	1	
-3	67532-000		MOUNT ASSEMBLY - Hydraulic pump	1	
	96902-000		MOUNT ASSEMBLY - Hydraulic pump	1	
-4	38996-002		BRACKET ASSEMBLY - Hydraulic pump mount	1	
-5	401-986		* BOLT - (MS20074-06-05)	2	
	401-986		* BOLT - (MS20074-06-05)	2	
	690-629		* WASHER - (NAS1149F0663P)	2	
-6	414-588		SCREW - (MS24693-S29B)	4	
-7	400-443		BOLT - Shock Mount Assembly (AN3-13A)	3	
-7a	494-192		* WASHER - (5712-45)	6	
-7b	65503-021		* SPACER - Hydraulic Pump Mount	3	
-7c	434-120		* GROMMET - (MS35489-64)	3	
-7d	65003-030		* SPACER - Hydraulic Pump Mount	3	
-8	653-338		CABLE ASSEMBLY	1	
-9	67700-431		TUBE ASSEMBLY	2	
-10	67700-432		TUBE ASSEMBLY	2	
-11	67700-023		TUBE ASSEMBLY	1	
-12	67700-024		TUBE ASSEMBLY	1	
-13	67700-061		TUBE ASSEMBLY	1	
-14	67700-062		TUBE ASSEMBLY	1	
-15	67700-181		TUBE ASSEMBLY	1	
-16	67700-182		TUBE ASSEMBLY	1	
-17	67700-303		TUBE ASSEMBLY	1	
-18	67700-307		TUBE ASSEMBLY	1	
-19	67700-342		TUBE ASSEMBLY	1	
-20	67700-343		TUBE ASSEMBLY	1	
-21	67700-410		TUBE ASSEMBLY	1	
-22	67700-411		TUBE ASSEMBLY	1	
-23	67700-412		TUBE ASSEMBLY	1	
-24	67700-413		TUBE ASSEMBLY	1	
-25	67700-414		TUBE ASSEMBLY	1	
-26	67700-415		TUBE ASSEMBLY	1	
-27	63901-028		HOSE ASSEMBLY	2	
-28	63901-009		HOSE ASSEMBLY	2	
-29	63901-041		HOSE ASSEMBLY	2	
-30	587-847		SWITCH - Pressure (211C243-12)	1	
-31	458-934		ELBOW - (AN833-4)	2	
-31a	477-887		* NUT - (AN924-4D)	2	
-31b	690-630		* WASHER - (AN960-716)	2	
-32	89375-000		VALVE ASSEMBLY - Landing Gear Freefall	1	
-32a	411-532		* SCREW - (MS35207-263)	2	
-32b	654-096		* CLAMP	2	
-32c	690-612		* WASHER - (NAS1149F0362P)	6	
-33	63900-024		SPACER	1	
-33a	454-929		* CLAMP	1	
-33b	411-534		* SCREW - (MS35207-265)	1	
-33c	690-612		* WASHER - (NAS1149F0362P)	3	
-33d	404-526		* NUT - (MS1042-3)	1	
-34	454-931		CLAMP	5	
-34a	411-531		* SCREW - (MS35207-262)	2	
-34b	404-526		* WASHER - (NAS1149F0362PL)	2	
-34c	404-526		* NUT - (MS21042-3)	2	

When ordering, always specify Part Number, Description, and Serial Number of Aircraft

PIPER PARTS CATALOG

Figure and Index Number	Part Number	Code	NOMENCLATURE	No. Req.	SERIAL NUMBERS AFFECTED
84a-35	454-929		CLAMP	2	
-35a	411-536		* SCREW - (MS35207-276)	2	
-35b	690-612		* WASHER - (AN960-10)	2	
-35c	404-526		* NUT - (MS1042-3)	4	
-35d	65003-021		* SPACER	2	
-36	454-929		CLAMP	1	
-36a	411-531		* SCREW - (MS35207-262)	1	
-36b	404-526		* NUT - (MS1042-3)	1	
-37	488-320		TEE - (AN824-4D)	7	
-38	452-606		ROD END	1	
-38a	400-443		* BOLT - (AN3-13A)	1	
-38b	404-526		* WASHER - (AN960-10L)	3	
-38c	407-124		* LOCK WASHER - (AN935-10L)	1	
-38d	404-224		* JAM NUT - (AN315-3R)	1	
-39	69012-000		CLAMP	1	
-39a	400-440		* BOLT - (AN3-4A)	1	
-39b	69011-000		* LUG	1	
-40	491-050		COUPLING - (AN910-4D)	3	
-41	455-173		UNION - (AN910-1D)	2	
-42	488-320		TEE - (AN825-4D)	1	
-43	458-910		ELBOW - (AN837-4D)	4	
-43a	477-618		* NUT - (AN924-4D)	6	
-43b	690-630		* WASHER - (AN960-716)	14	
-44	458-894		ELBOW - (AN822-4D)	4	
-45	458-865		ELBOW - (AN823-4D)	4	
-46	67524-000		ELBOW - (Restricted)	1	
-47	63900-064		SPACER	1	
-47a	411-581		* SCREW - (AN960-10)	1	
-47b	690-612		* CLAMP	1	
-47c	454-929		* NUT - (MS20365-1032C)	1	
-47d	407-800		* WASHER - (AN970-3)	1	
-48	67534-000		ANGLE ASSEMBLY	2	
-48a	690-612		* CLAMP	2	
-48b	411-535		* SCREW - (MS35206-245)	2	
-49	434-142		GROMMET - (MS35489-22)	2	
-50	63975		GROMMET	1	
-51	458-891		ELBOW - (AN823-4D)	4	
-52	89374-000		FREE FALL - Valve lever hardware	1	
-52a	486-879		* SLEEVE - (MS51844-22)	1	
-52b	415-504		* SET SCREW - (MS325206-214)	1	

When ordering, always specify Part Number, Description, and Serial Number of Aircraft

SECTION 10 ELECTRONICS GROUP

THIS PAGE INTENTIONALLY LEFT BLANK

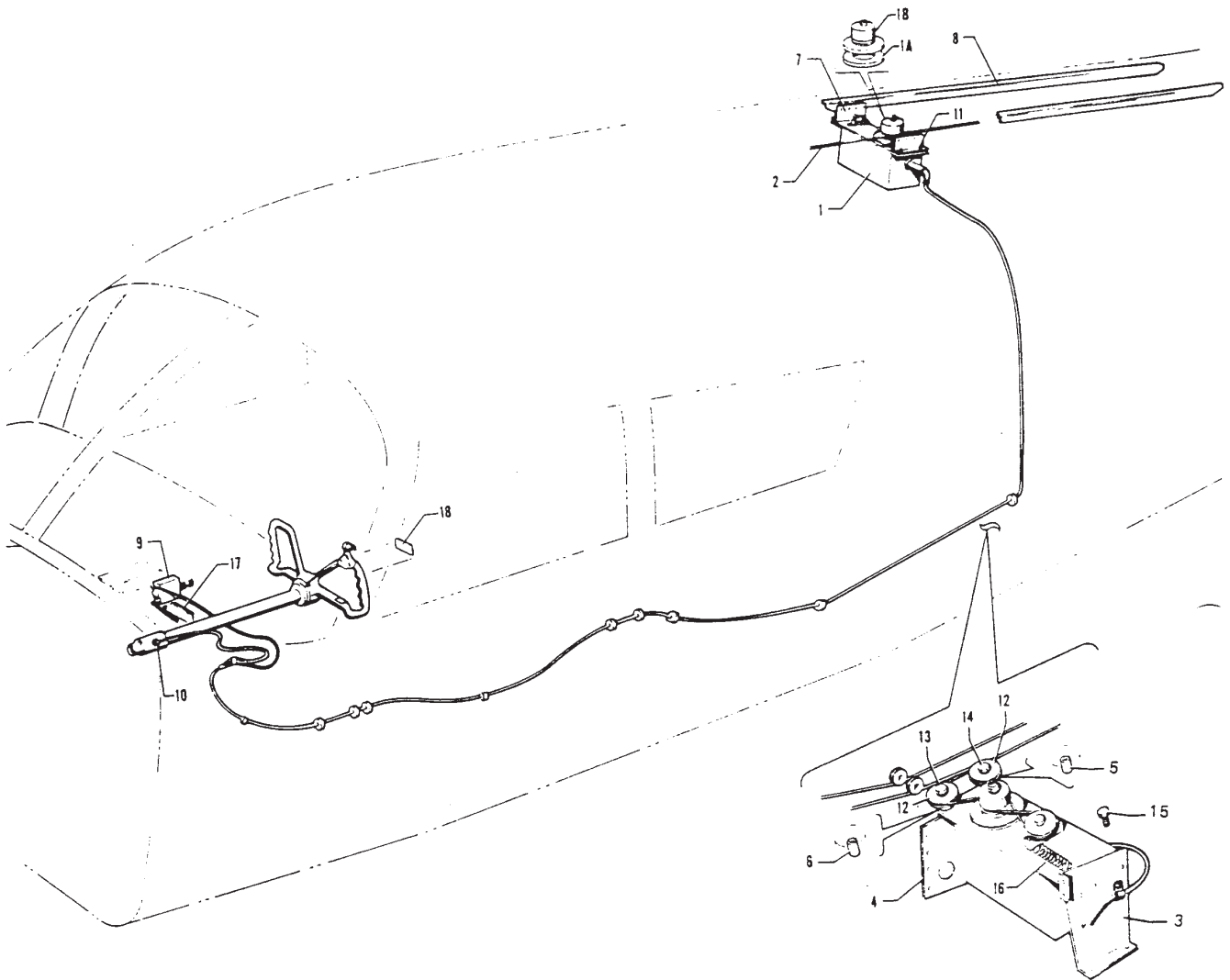


Figure 85. Electric Trim Installation

THIS PAGE INTENTIONALLY LEFT BLANK

PIPER PARTS CATALOG

Figure and Index Number	Part Number	Code	NOMENCLATURE	No. Req.	SERIAL NUMBERS AFFECTED
85-	63529 65650 67496 66719	A B D E	DRAWING - Electric Trim Installation DRAWING - Electric Trim Installation DRAWING - Electric Trim Installation DRAWING - Electric Trim Installation		28-10720 to 11039 inclusive
-1	65821-000 65821-002 65821-005	C,F C,G H	SERVO ASSEMBLY - Trim SERVO ASSEMBLY - Trim SERVO ASSEMBLY - Trim	1 1 1	
-1a	494-159		* WASHER - Servo friction (24696-000)	1	
-1b	581-126		* PLATE - Servo clutch, outer (24695-000)	1	
<p>A - Used on PA-28-150, PA-28-160 and PA-28-180 with serial numbers 28-2172 to 28-4377 inclusive, PA-28-235 with serial numbers 28-10606 to 28-10719 inclusive, and PA-28-140 with serial numbers 28-20002 to 28-24999 inclusive.</p> <p>B - Used on PA-28-235 airplanes only.</p> <p>C - Trim servo assembly is no longer available. Order Electric Trim Servo Replacement Kit 763-850. Also order electric trim switch Part Number 67443-004 if a bowtie style control wheel is installed or electric trim switch Part Number 761-039 if a ramshorn style control wheel is installed.</p> <p>D - Used on PA-28-140 with serial numbers 28-7325001 and up, PA-28-180 with serial numbers 28-4378 and up, PA-28-235 with serial numbers 28-11040 and up, PA-28R-180 and PA-28R-200 airplanes.</p> <p>E - Used on PA-28-140 with serial numbers 28-25000 to 28-7225612 inclusive.</p> <p>F - Used on PA-28-150, PA-28-160 and PA-28-180 with serial numbers 28-2172 to 28-4377 inclusive, PA-28-235 with serial numbers 28-10606 to 28-10719 inclusive, and PA-28-140 with serial numbers 28-20002 to 28-7225612 inclusive.</p> <p>G - Used on PA-28-140 with serial numbers 28-7325001 to 28-7525095 inclusive, PA-28-180 with serial numbers 28-4378 to 28-7505079 inclusive, PA-28-235 with serial numbers 28-10720 to 28-7510027 inclusive, PA-28R-200 with serial numbers 28R-30482, 28R-35001 to 28R-7535076 inclusive, and PA-28R-180 airplanes.</p> <p>H - Used on PA-28-140 with serial numbers 28-7525096 and up, PA-28-180 with serial numbers 28-7505080 and up, PA-28-235 with serial numbers 28-7510028 and up and PA-28R-200 with serial numbers 28R-7535077 and up. Also used on PA-28-140 with serial numbers 28-20002 to 28-7525095 and PA-28-150, PA-28-160 and PA-28-180 with serial numbers 28-2172 to 28-7505079 inclusive, PA-28-235 with serial numbers 28-10606 to 28-7510027 inclusive, PA-28R-200 with serial numbers 28R-30482, 28R-35001 to 28R-7535076 inclusive and PA-28R-180 if Electric Trim Servo Replacement Kit 763-850 has been installed.</p>					

When ordering, always specify Part Number, Description, and Serial Number of Aircraft

PIPER PARTS CATALOG

Figure and Index Number	Part Number	Code	NOMENCLATURE	No. Req.	SERIAL NUMBERS AFFECTED
85 -2	62701-044	F	CABLE ASSEMBLY - Front stabilator trim	1	
	62701-057	A	CABLE ASSEMBLY - Front stabilator trim	1	
	62701-111	B	CABLE ASSEMBLY - Front stabilator trim	1	
-3	68674-000	C	BRACKET ASSEMBLY - Electric trim	1	
-4	68676-000	C	BRACKET - Electric trim	1	
-5	63900-066	C	BUSHING - Electric trim	1	
-6	63900-067	C	BUSHING - Electric trim	1	
-7	66757-000	F	BRACKET - Servo mounting	2	
-8	65114-000	F	STRINGER - Servo mounting	2	
-9	454-656	G	CIRCUIT BREAKER	1	
	67445-000	E	SWITCH ASSEMBLY - Pitch trim	1	
	764-401	E	PITCH TRIM SWITCH - Replacement kit	1	
-9a	587-923	D,E	SWITCH - Pitch trim	1	
-9b	87369-038	D,E	PLACARD - Electric pitch trim	1	
-9c	87369-039	D,E	PLACARD - On-off	1	
-10	67490-002	E,H	PLACARD - Pitch trim	1	
-11	415-754	F	SCREW - (AN515-832R8)	4	
	690-616	F	WASHER - (NAS1149FN832P)	4	
	404-529	F	NUT - (MS21042-08)	4	
-12	481-640	C	PULLEY - (MS24566-1B)	2	
-13	400-443	C	BOLT - (AN3-12A)	1	
	690-612	C	WASHER - (NAS1149F0363P)	1	
	404-526	C	NUT - (MS21042-3)	1	
-14	400-444	C	BOLT - (AN3-13A)	1	
	690-612	C	WASHER - (NAS1149F0363P)	1	
	404-526	C	NUT - (MS21046-3)	1	
			A - Used on PA-28-180 with serial numbers 28-4378 to 28-7205328 inclusive, PA-28-235 with serial numbers 28-10720 to 28-7210033 inclusive, PA-28R-180 with serial numbers 28R-30005 to 28R-7130019 inclusive, PA-28R-200 with serial numbers 28R-30482, 28R-35001 to 28R-7135238 inclusive, and PA-28-140 with serial numbers 28-7325001 and up.		
			B - Used on PA-28-180 with serial numbers 28-7305001 and up, PA-28-235 with serial numbers 28-7310001 and up and PA-28R-200 with serial numbers 28R-7235001 and up.		
			C - Used on PA-28-140 with serial numbers 28-7325001 and up, PA-28-180 with serial numbers 28-4378 and up, PA-28-235 with serial numbers 28-10720 and up, PA-28R-180 and PA-28R-200.		
			D - Used if Pitch Trim Switch Replacement Kit 764-401 has been installed.		
			E - Used on PA-28-140 with serial numbers 28-25000 and up, PA-28-180 with serial numbers 28-4378 and up, PA-28-235 with serial numbers 28-11040 and up, PA-28R-180 and PA-28R-200.		
			F - Used on PA-28-150, PA-28-160 and PA-28-180 with serial numbers 28-2172 to 28-4377 inclusive, PA-28-235 with serial numbers 28-10606 to 28-10719 inclusive, and PA-28-140 with serial numbers 28-20002 to 28-7225612 inclusive.		
			G - Used on PA-28-150, PA-28-160 and PA-28-180 with serial numbers 28-2172 to 28-4377 inclusive, PA-28-235 with serial numbers 28-10606 to 28-11039 inclusive, and PA-28-140 with serial numbers 28-20002 to 28-24999 inclusive.		
			H - Used if a push on-off pitch trim switch is installed.		

When ordering, always specify Part Number, Description, and Serial Number of Aircraft

PIPER PARTS CATALOG

Figure and Index Number	Part Number	Code	NOMENCLATURE	No. Req.	SERIAL NUMBERS AFFECTED
85 -15	401-266	A	BOLT - (AN3-5A)	2	
	690-612	A	WASHER - (NAS1149F0363P)	2	
	404-526	A	NUT - (MS21042-3)	2	
-17	434-126		GROMMET - (AN931-3-5)	1	
-16	65784-000		SPRING - Electric trim	1	
-18	66751-000		PLACARD - Electric trim (control wheel)	1	
<p>A - Used on PA-28-140 with serial numbers 28-7325001 and up, PA-28-180 with serial numbers 28-4378 and up, PA-28-235 with serial numbers 28-10720 and up, PA-28R-180 and PA-28R-200.</p>					

When ordering, always specify Part Number, Description, and Serial Number of Aircraft

THIS PAGE INTENTIONALLY LEFT BLANK

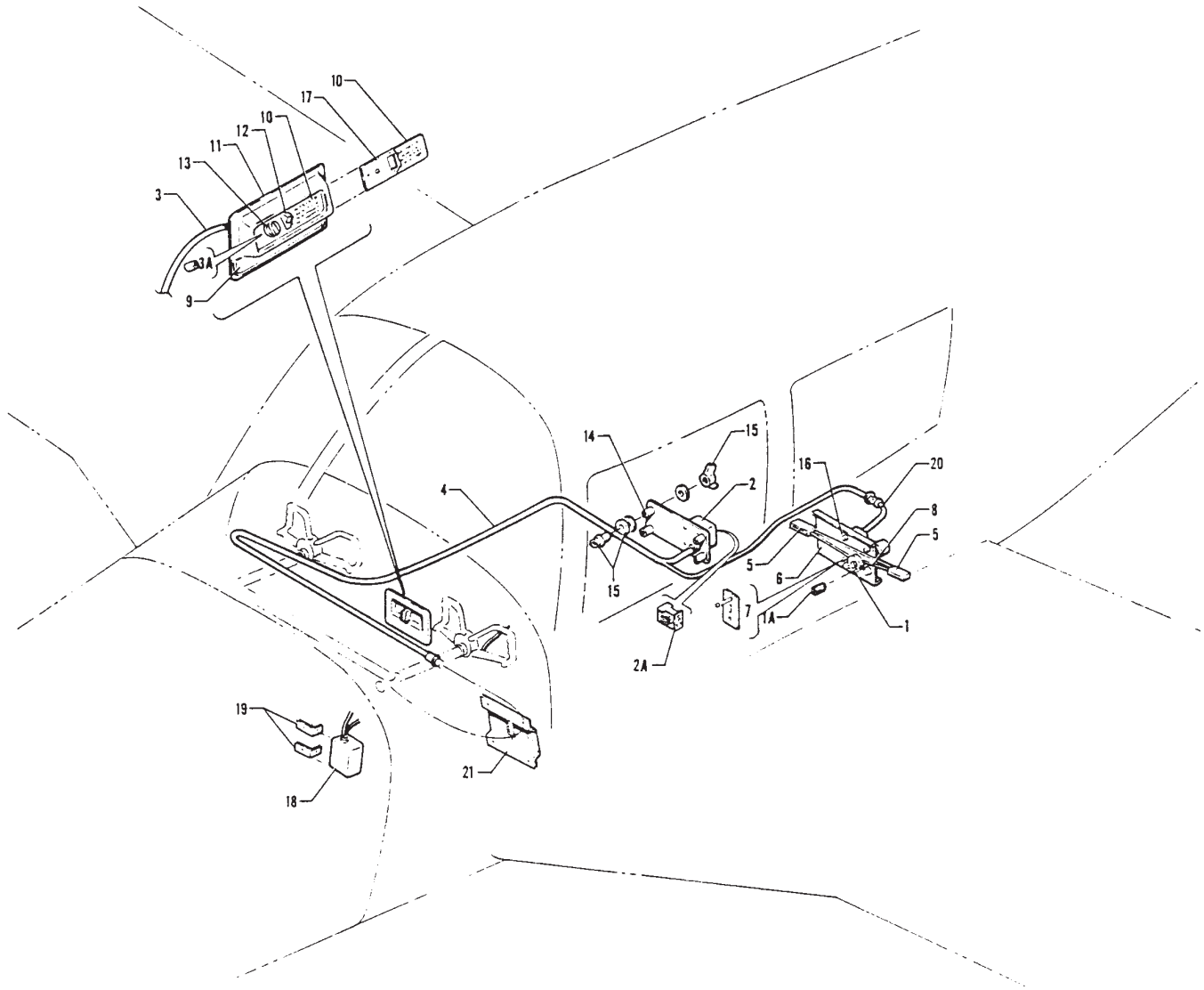


Figure 86. AutoFlite Installation
 (PA-28-140 - Serial Nos. 28-20002 to 28-26956 inclusive)
 (PA 28-150-160-180 - Serial Nos. 28-1231 to 28-5869 inclusive)
 (PA-28-235 - Serial Nos. 28-10003 to 28-11393 inclusive)
 (PA-28R-180 - Serial Nos. 28R-30005 to 28R-30481 inclusive, 28R-30483 to 28R-31279 inclusive)
 (PA-28R-200 - Serial Nos. 28R-30482, 28R-35001 to 28R-35830 inclusive)

THIS PAGE INTENTIONALLY LEFT BLANK

PIPER PARTS CATALOG

Figure and Index Number	Part Number	Code	NOMENCLATURE	No. Req.	SERIAL NUMBERS AFFECTED
86-	65755 67497	G G	DRAWING - AutoFlite Installation DRAWING - AutoFlite Installation		
-1	753-721	E,J	SERVO - Roll (1D363-183R)	1	
	757-595	E,J	SERVO - Roll (1C363-1-183R)	1	
-1a	757-579		* SET SCREW - Capstan (3S326)	1	
-2	751-278		AMPLIFIER ASSEMBLY - Gyro (1C359-1)	1	
-2a	756-052		* RELAY - Gyro amplifier (80511)	1	
-3	757-855		CABLE ASSEMBLY - (30C280)	1	
-3a	757-592	F	* SPACER - AutoFlite trim shaft (43A370)	1	
-4	753-978		CABLE ASSEMBLY - (30B184-3)	1	
-5	757-863	H	CLAMP ASSEMBLY - Bridle cable (42A173-1)	2	
-6	453-425	C	BRACKET - Servo mounting (7C511-3)	1	
	453-426	D	BRACKET - Servo mounting (7C511-2)	1	
-7	751-897		GUARD - Cable (7A508-1)	1	
-8	753-980		CABLE - Bridle (30B200)	1	
-9	68821-000	G	PLACARD - AutoFlite console	1	
-10	68825-000	G	PLACARD - AutoFlite instruction (without tracker)	1	
	67492-000	B	PLACARD - AutoFlite instruction (without tracker)	1	
	66800-000		PLACARD - AutoFlite instruction (with tracker)	1	
<p>A - Used on PA-28-150, PA-28-160 and PA-28-180 with serial numbers 28-1231 to 28-5869 inclusive, PA-28-140 with serial numbers 28-20002 to 28-26956 inclusive, PA-28-235 with serial numbers 28-10003 to 28-11393 inclusive, PA-28R-180 with serial numbers 28R-30005 to 28R-30481 inclusive, 28R-30483 to 28R-31279 inclusive, and PA-28R-200 with serial numbers 28R-30482, 28R-35001 to 28R-35830 inclusive.</p> <p>B - Used on PA-28-180 with serial numbers 28-4378 to 28-5869 inclusive, PA-28R-180 with serial numbers 28R-30005 to 28R-30481 inclusive, 28R-30483 to 28R-31279 inclusive, PA-28-235 with serial numbers 28-11040 to 28-11393 inclusive, PA-28-140 with serial numbers 28-25000 to 28-26956 inclusive, and PA-28R-200 with serial numbers 28R-30482, 28R-35001 to 28R-35830 inclusive.</p> <p>C - Used on PA-28-140, PA-28-150, PA-28-160, PA-28-180 and PA-28-235 airplanes only.</p> <p>D - Used on PA-28R-180 and PA-28R-200 airplanes only.</p> <p>E - Ascertain servo model number when ordering.</p> <p>F - Used when tracker is not installed.</p> <p>G - Used on PA-28-150, PA-28-160 and PA-28-180 with serial numbers 28-1231 to 28-4377 inclusive, PA-28-140 with serial number 28-20002 to 28-24999 inclusive, and PA-28-235 with serial numbers 28-10003 to 28-11039 inclusive.</p> <p>H - Reference Piper Service Bulletin 279 to improve the bridle cable clamp attachment and eliminate the possibility of cable slippage.</p> <p>J - Reference latest revision of Piper Service Letter 566 on Autopilot Servo Spacer Bushing Installation for PA-28-140 aircraft with serial numbers 28-24689 to 28-26946 inclusive, PA-28-180 with serial numbers 28-5058 to 28-5859 inclusive, PA-28-235 with serial numbers 28-11078 to 28-11378 inclusive, PA-28R-180 with serial numbers 28R-30881 to 28R-31270 inclusive and PA-28R-200 with serial numbers 28R-35001 to 28R-35820 inclusive.</p>					

When ordering, always specify Part Number, Description, and Serial Number of Aircraft

PIPER PARTS CATALOG

Figure and Index Number	Part Number	Code	NOMENCLATURE	No. Req.	SERIAL NUMBERS AFFECTED
86 -11	68824-000	E	PANEL - AutoFlite trim	1	
-12	487-901		SWITCH - (8134-K21A1V-50)	1	
-13	571-087		KNOB - Trim (R8-31)	1	
-14	467-066		ISOLATOR - Vibration (JA-69848)	4	
-15	404-751		NUT - Wing (AN350-832)	4	
	408-043		WASHER - (MS35333-38)	8	
	690-618		WASHER - (NAS1149FN816P)	4	
	406-863		RIVNUT - (A8K-75)	4	
-16	400-438		BOLT - (AN3-4A)	4	
	690-612		WASHER - (NAS1149F0363P)	4	
	404-887		NUT - (MS20365-1032C)	4	
-17	67495-000	C	PLATE - AutoFlite placard	1	
-18	596-032		TRACKER - Omni (1D482)	1	
-19	67485-000		BRACKET - Omni tracker	2	
-20	757-878	D	CABLE ASSEMBLY - Roll servo (30A211-8R)	1	
-21	66798-000	B	BRACKET - AutoFlite	1	
<p>A - Used on PA-28-150, PA-28-160 and PA-28-180 with serial numbers 28-1231 to 28-5869 inclusive, PA-28-140 with serial numbers 28-20002 to 28-26956 inclusive, PA-28-235 with serial numbers 28-10003 to 28-11393 inclusive, PA-28R-180 with serial numbers 28R-30005 to 28R-30481 inclusive, 28R-30483 to 28R-31279 inclusive, and PA-28R-200 with serial numbers 28R-30482, 28R-35001 to 28R-35830 inclusive.</p> <p>B - Used on PA-28-140 with serial numbers 28-25401 to 28-26956 inclusive, PA-28-235 with serial numbers 28-11236 to 28-11393 inclusive, PA-28-180 with serial numbers 28-5428 to 28-5869 inclusive, PA-28R-180 with serial numbers 28R-31093 to 28R-31279 inclusive, and PA-28R-200 with serial numbers 28R-35187 to 28R-35830 inclusive.</p> <p>C - Used on PA-28-180 with serial numbers 28-4378 to 28-5428 inclusive, PA-28-235 with serial numbers 28-11040 to 28-11235 inclusive, PA-28-140 with serial numbers 28-25000 to 28-25400 inclusive, PA-28R-180 with serial numbers 28R-30005 to 28R-30481 inclusive, 28R-30483 to 28R-31093 inclusive, and PA-28R-200 with serial numbers 28R-30482, 28R-35001 to 28R-35187 inclusive.</p> <p>D - Used with servo model 1C363-1-183R only.</p> <p>E - Used on PA-28-150, PA-28-160 and PA-28-180 with serial numbers 28-1231 to 28-4377 inclusive, PA-28-140 with serial number 28-20002 to 28-24999 inclusive, and PA-28-235 with serial numbers 28-10003 to 28-11039 inclusive.</p>					

When ordering, always specify Part Number, Description, and Serial Number of Aircraft

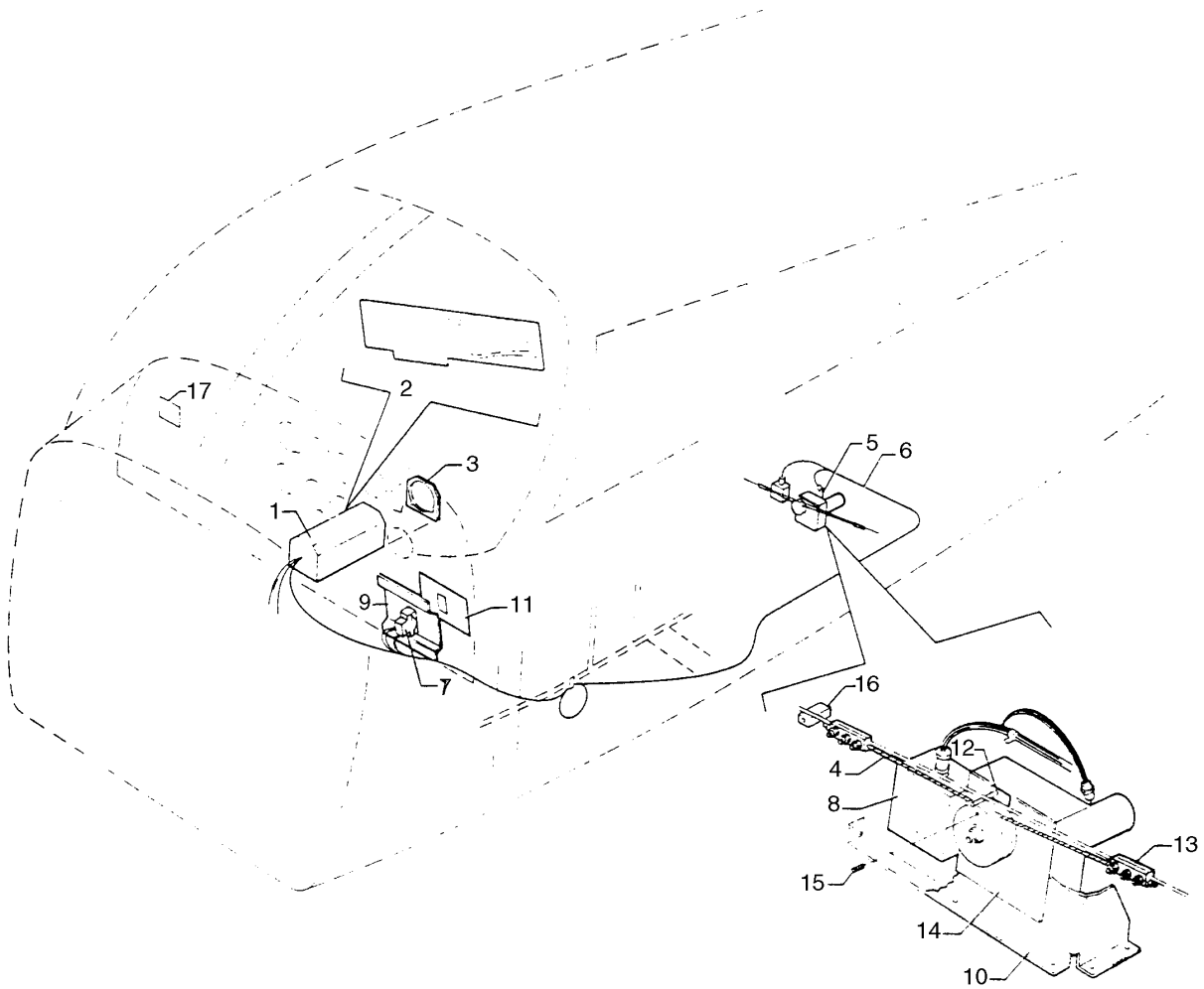


Figure 86A. AutoFlite II Installation
 (PA-28-140 - Serial Nos. 28-7125001 and up)
 (PA-28-180 - Serial Nos. 28-7105001 and up)
 (PA-28-235 - Serial Nos. 28-7110001 and up)
 (PA-28R-180 - Serial Nos. 28R-7130001 and up)
 (PA-28R-200 - Serial Nos. 28R-7135001 and up)

PA-28-140
 PA-28-180
 PA-28-235
 PA-28R-180
 PA-28R-200

THIS PAGE INTENTIONALLY LEFT BLANK

PIPER PARTS CATALOG

Figure and Index Number	Part Number	Code	NOMENCLATURE	No. Req.	SERIAL NUMBERS AFFECTED
86A-	99447		DRAWING - AutoFlite II Installation		
-1	52586-002	B	INSTRUMENT - Turn and bank (52D75-3)	1	
	755-432	C	INSTRUMENT - Turn and bank (52D75-4)	1	
-2	758-188	C	* TRACKER BOARD - Printed circuit (1D628)	1	
-3	99209-000		PLATE - Turn and bank mounting	1	
-4	753-980		CABLE - Bridle (30B200)	1	
-5	757-878		CABLE ASSEMBLY - Roll servo (30A211-8R)	1	
-6	757-913		CABLE ASSEMBLY - (30C379-1)	1	
-7	487-901		SWITCH - (8134-K21A1V-50)	1	
-8	758-181		BOX - Relay (1A526)	1	
-9	66798-000		BRACKET - AutoFlite II	1	
-10	453-425	D	BRACKET - Servo mounting (7C511-3)	1	
	453-426	E	BRACKET - Servo mounting (7C511-2)	1	
-11	99448-000		PLACARD - AutoFlite II	1	
-12	751-897		GUARD - Cable (7A508-1)	1	
-13	757-863	F	CLAMP ASSEMBLY - Bridle cable (42A173-1)	2	
-14	757-595	G	SERVO - Roll (1C363-1-183R)	1	
-15	757-579		SET SCREW - Capstan (3S326)	1	
-16	758-296		BLOCK - Rub (7A1373)	1	
-17	454-656		CIRCUIT PROTECTOR - 5 amp	1	
			<p>A - Used on PA-28-140 with serial numbers 28-7125001 and up, PA-28-180 with serial numbers 28-7105001 and up, PA-28-235 with serial numbers 28-7110001 and up, PA-28R-180 with serial numbers 28R-7130001 and up, and PA-28R-200 with serial numbers 28R-7135001 and up.</p> <p>B - Used if AutoFlite II without tracker is installed.</p> <p>C - Used if AutoFlite II with tracker is installed.</p> <p>D - Used on PA-28-140, PA-28-180 and PA-28-235 airplanes only.</p> <p>E - Used on PA-28R-180 and PA-28R-200 airplanes only.</p> <p>F - Reference Piper Service Bulletin 279 to improve the bridle cable clamp attachment and eliminate the possibility of cable slippage.</p> <p>G - Reference latest revision of Piper Service Letter 566 on Autopilot Servo Spacer Bushing Installation for PA-28-140 aircraft with serial numbers 28-24689 to 28-26946 inclusive, PA-28-180 with serial numbers 28-5058 to 28-5859 inclusive, PA-28-235 with serial numbers 28-11078 to 28-11378 inclusive, PA-28R-180 with serial numbers 28R-30881 to 28R-31270 inclusive and PA-28R-200 with serial numbers 28R-35001 to 28R-35820 inclusive. Also reference Piper Service Letter 695 on Roll Servo Inspection, Maintenance and Shear Pin Installation.</p>		

When ordering, always specify Part Number, Description, and Serial Number of Aircraft

THIS PAGE INTENTIONALLY LEFT BLANK

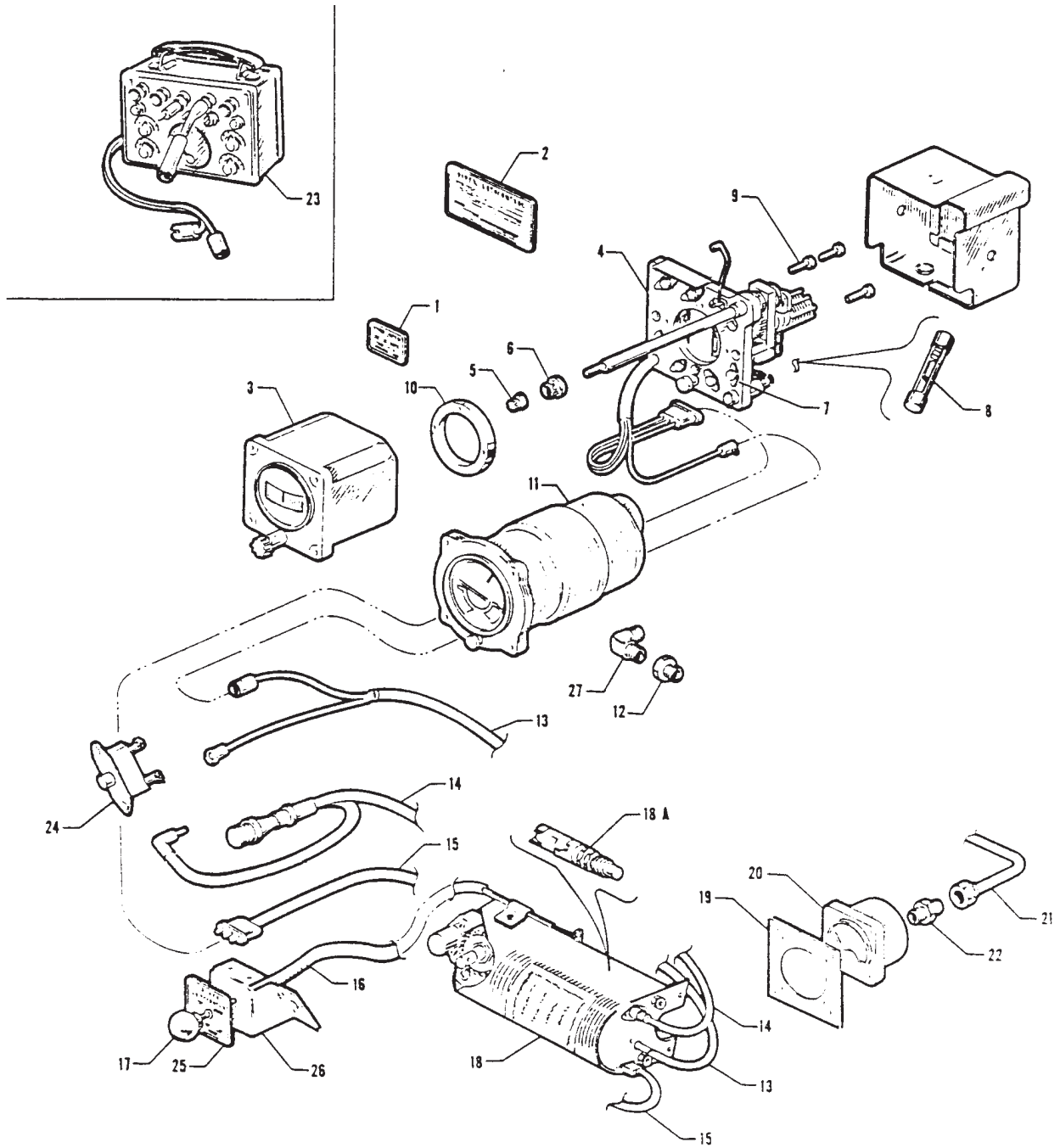


Figure 87. AutoControl I Installation

PA-28-140
PA-28-150
PA-28-160
PA-28-180
PA-28-235

THIS PAGE INTENTIONALLY LEFT BLANK

PIPER PARTS CATALOG

Figure and Index Number	Part Number	Code	NOMENCLATURE	No. Req.	SERIAL NUMBERS AFFECTED
87-	62794		DRAWING - AutoControl I Installation		
-1	19563-000		PLACARD - AutoControl (D.G. Operation)	1	
-2	19561-000		PLACARD - AutoControl (AutoControl Operations)	1	
-3	550-640	A	INSTRUMENT - Directional gyro (30987-002)	1	
-4	751-232		AMPLIFIER - (Complete)	1	
-5	754-210		* KNOB - Trim	1	
-6	754-209		* KNOB - Turn	1	
-7	753-004		* TRANSISTOR - (2N250)	1	
-8	751-783		* FUSE - 10 amp (AGC-10)	1	
-9	752-956		* SCREW - Attaching	3	
-10	752-955		* RING - Spacer	1	
-11	550-642	A	INSTRUMENT - Gyro horizon (31053-002)	1	
-12	453-653		BUSHING - (3224-2)	1	
-13	753-861		CABLE ASSEMBLY - Power supply	1	
-14	751-521		CABLE ASSEMBLY - (Gyros to servo)	3	
-15	751-525		CABLE ASSEMBLY - (Directional gyro to servo)	1	
-16	753-860		CABLE ASSEMBLY - Engage control	1	
-17	754-211		* KNOB - Engage control cable	1	
-18	753-622		MOTOR ASSEMBLY - Roll servo	1	
-18a	752-967		* SWITCH - Roll servo (40518)	1	
-19	11199-003		PLATE - Mounting	1	
-20	450-648		INSTRUMENT - Suction gauge (150/160/180)	1	28-1 to 28-1444 inclusive
	450-648		INSTRUMENT - Suction gauge (235)	1	28-10003 to 28-10152 incl.
	550-629		INSTRUMENT - Suction gauge (140/150/160/180)	1	28-1445 and up
	550-629		INSTRUMENT - Suction gauge (235)	1	28-10153 and up
-21	14994-000		LINE ASSEMBLY - Suction gauge	1	
-22	476-647		NIPPLE - (AN816-3D)	1	
-23	751-412		TEST EQUIPMENT	1	
-24	454-664		CIRCUIT BREAKER	1	
-25	19562-000		PLACARD - Control engage	1	
-26	14990-000		BRACKET - Control mounting	1	
-27	458-893		ELBOW - (AN822-3D)	2	
			A - No longer available.		

When ordering, always specify Part Number, Description, and Serial Number of Aircraft

PA-28-140
PA-28-150
PA-28-160
PA-28-180
PA-28-235

THIS PAGE INTENTIONALLY LEFT BLANK

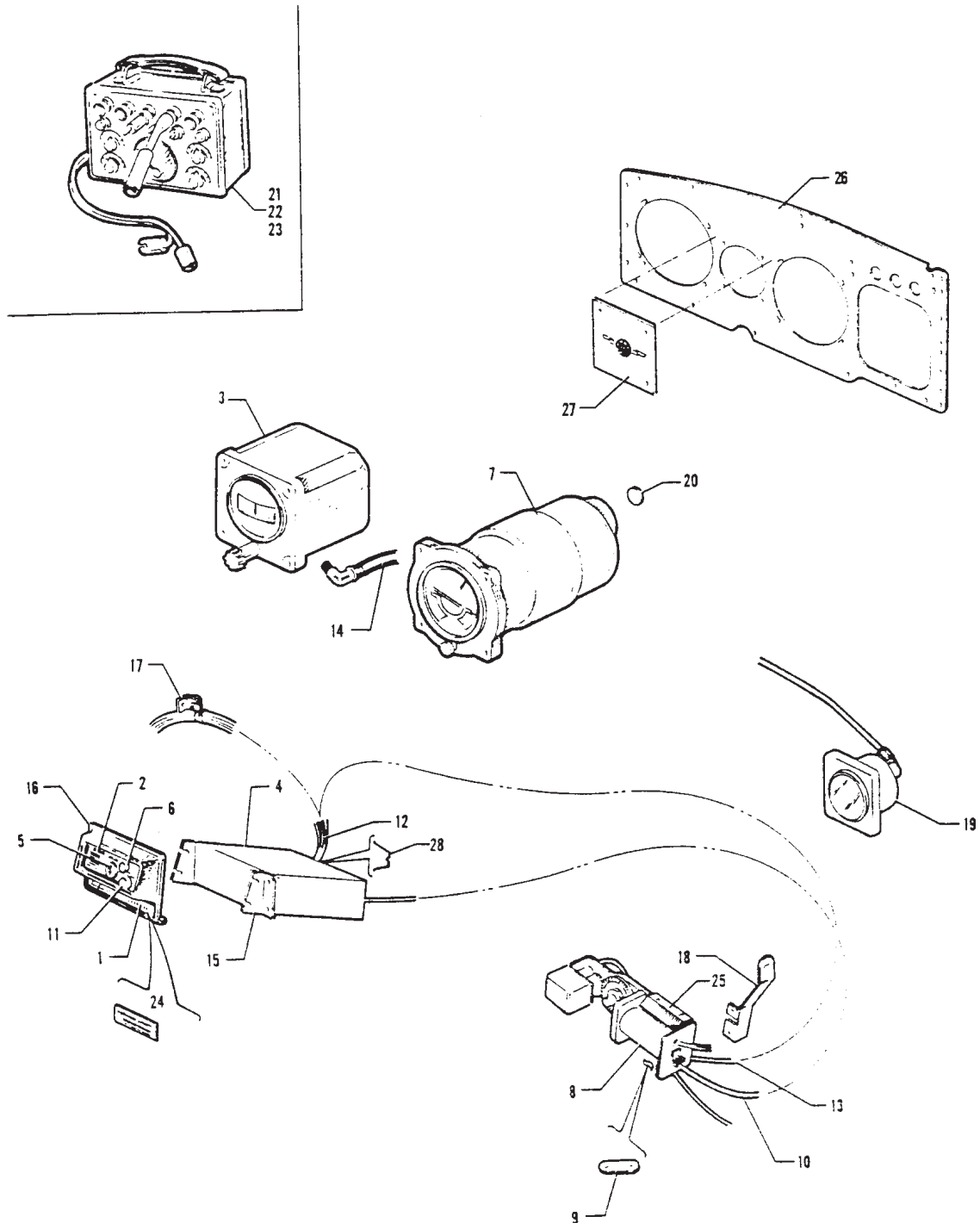


Figure 88. AutoControl II Installation
 (PA-28-140 - Serial Nos. 28-20002 to 28-24999 incl.)
 (PA-28-150-160-180 - Serial Nos. 28-1231 to 28-4377 incl.)
 (PA-28-235 - Serial Nos. 28-10003 to 28-11039 incl.)

PA-28-140
 PA-28-150
 PA-28-160
 PA-28-180
 PA-28-235

THIS PAGE INTENTIONALLY LEFT BLANK

PIPER PARTS CATALOG

Figure and Index Number	Part Number	Code	NOMENCLATURE	No. Req.	SERIAL NUMBERS AFFECTED
88-	62863	D	DRAWING - AutoControl II Installation	1	
	62990	E	DRAWING - AutoControl II Installation	1	
-1	62170-000		PLACARD - AutoControl II console	1	
-2	62163-000	D,F	PLACARD - Operation	1	
	62983-000	E,F	PLACARD - Operation	1	
	63559-000	E,G	PLACARD - Operation	1	
	65524-000	C,G	PLACARD - Operation	1	
-3	550-640	F,J	INSTRUMENT - Directional gyro (30987-002)	1	
	550-643	G,J	INSTRUMENT - Directional gyro (31058-002)	1	
	550-779	G	INSTRUMENT - Directional gyro (32169-000) (3 inch)	1	
-4	753-877		AMPLIFIER - (complete) (1X214E) (unventilated cover)	1	
	751-262		AMPLIFIER - (complete) (1X214E-3) (ventilated cover)	1	
-5	754-366		* KNOB - Turn and trim (36A77)	1	
-6	756-720		* BUTTON - Heading lock (36S93)	1	
-7	550-642	J	INSTRUMENT - Gyro horizon (31053-002)	1	
	550-777		INSTRUMENT - Gyro horizon (32167-000) (3 inch)	1	
-8	753-642		MOTOR ASSEMBLY - Roll servo (1X221E-CH)	1	
-9	752-333		* LEVER - Engage (30A83)	1	
-10	753-876		* CABLE ASSEMBLY - Engage control (30A139-40)	1	
-11	756-716		* KNOB - Engage control cable (36S92)	1	
-12	751-954		HARNESS ASSEMBLY - (30B116-1)	1	
-13	751-525		CABLE ASSEMBLY - Servo motor (30A53-22)	1	
-14	753-036		HOSE - Air, amplifier to directional gyro (47A147-24)	1	
-15	62146-000		CLIP - Amplifier mounting, left	1	
	62146-001		CLIP - Amplifier mounting, right	1	
-16	62147-003		PANEL - AutoFlite trim	1	28-1 to 28-1410 inclusive
	62198-003	H	PANEL - AutoFlite trim	1	28-1410 to 28-1760 inclusive
	62198-003	C	PANEL - AutoFlite trim	1	28-20002 to 28-24999 incl.
	62198-003	B	PANEL - AutoFlite trim	1	28-10003 to 28-10486 incl.
	62984-000	E	PANEL - AutoFlite trim	1	
<p>A - Used on PA-28-140 with serial numbers 28-20002 to 28-24999 inclusive, PA-28-150, PA-28-160 and PA-28-180 with serial numbers 28-1231 to 28-4377 inclusive, and PA-28-235 with serial number 23-10003 to 28-11039 inclusive.</p> <p>B - Used on PA-28-235 airplanes only.</p> <p>C - Used on PA-28-140 airplanes only.</p> <p>D - Used on PA-28-150, PA-28-160 and PA-28-180 with serial numbers 28-1231 to 28-1760 inclusive, PA-28-235 with serial numbers 28-10003 to 28-10486 inclusive, and PA-28-140 with serial numbers 28-20002 to 28-24999 inclusive.</p> <p>E - Used on PA-28-150, PA-28-160 and PA-28-180 with serial numbers 28-1761 to 28-4377 inclusive, and PA-28-235 with serial numbers 28-10487 to 28-11039 inclusive.</p> <p>F - Used on AutoControl with O heading only.</p> <p>G - Used on AutoControl with course selector only.</p> <p>H - Used on PA-28-150, PA-28-160 and PA-28-180 airplanes only.</p> <p>J - No longer available.</p>					

When ordering, always specify Part Number, Description, and Serial Number of Aircraft

PA-28-140
PA-28-150
PA-28-160
PA-28-180
PA-28-235

PIPER PARTS CATALOG

Figure and Index Number	Part Number	Code	NOMENCLATURE	No. Req.	SERIAL NUMBERS AFFECTED
88 -17	62161-000	F	ANGLE - Clamp support	1	
	63297-000	G	ANGLE - Clamp support	1	
-18	65064-000	D	BRACKET - Roll servo support	1	
	62280-00	C,E	BRACKET - Roll servo support	1	28-10166 to 28-11039 incl.
-19	450-648		INSTRUMENT - Suction gauge (150/160/180)	1	28-1231 to 28-1444 inclusive
	450-648		INSTRUMENT - Suction gauge (235)	1	28- 10002 to 28-10152 incl.
	550-629		INSTRUMENT - Suction gauge (140/150/160/180)	1	28-1445 and up
	550-629		INSTRUMENT - Suction gauge (235)	1	28-10153 to 28-11039 incl.
-20	755-825		PAD - Gyro instrument filter (not used on 3 inch gyros)	AR	
-21	751-412		TEST EQUIPMENT	1	
-22	756-737		ADAPTER - Test kit (66A44)	1	
-23	753-880		CABLE - Test (30B116-1-T)	1	
-24	62879-000	B,C	PLACARD - AutoControl II limitations	1	
-25	65531-000		GUARD - Roll servo	1	
-26	68822-000		SUBPANEL - 3 inch gyros	1	
-27	11199-008		PLATE - Subpanel hole cover	1	
-28	756-257		SPRING - Retainer	1	
<p>A - Used on PA-28-140 with serial numbers 28-20002 to 28-24999 inclusive, PA-28-150, PA-28-160 and PA-28-180 with serial numbers 28-1231 to 28-4377 inclusive, and PA-28-235 with serial numbers 28-10003 to 28-11039 inclusive.</p> <p>B - Used on AutoControl with course selector only.</p> <p>C - Used on PA-28-235 airplanes only.</p> <p>D - Used when constant speed propeller is not installed.</p> <p>E - Used when constant speed propeller is installed.</p> <p>F - Used on PA-28-150, PA-28-160 and PA-28-180 with serial numbers 28-1231 to 28-1760 inclusive, PA-28-235 with serial numbers 28-10003 to 28-10486 inclusive, and PA-28-140 with serial numbers 28-20002 to 28-24999 inclusive.</p> <p>G - Used on PA-28-150, PA-28-160 and PA-28-180 with, serial numbers 28-1761 to 28-4377 inclusive, and PA-28-235 with serial numbers 28-10487 to 28-11039 inclusive.</p>					

PA-28-140
PA-28-150
PA-28-160
PA-28-180
PA-28-235

When ordering, always specify Part Number, Description, and Serial Number of Aircraft

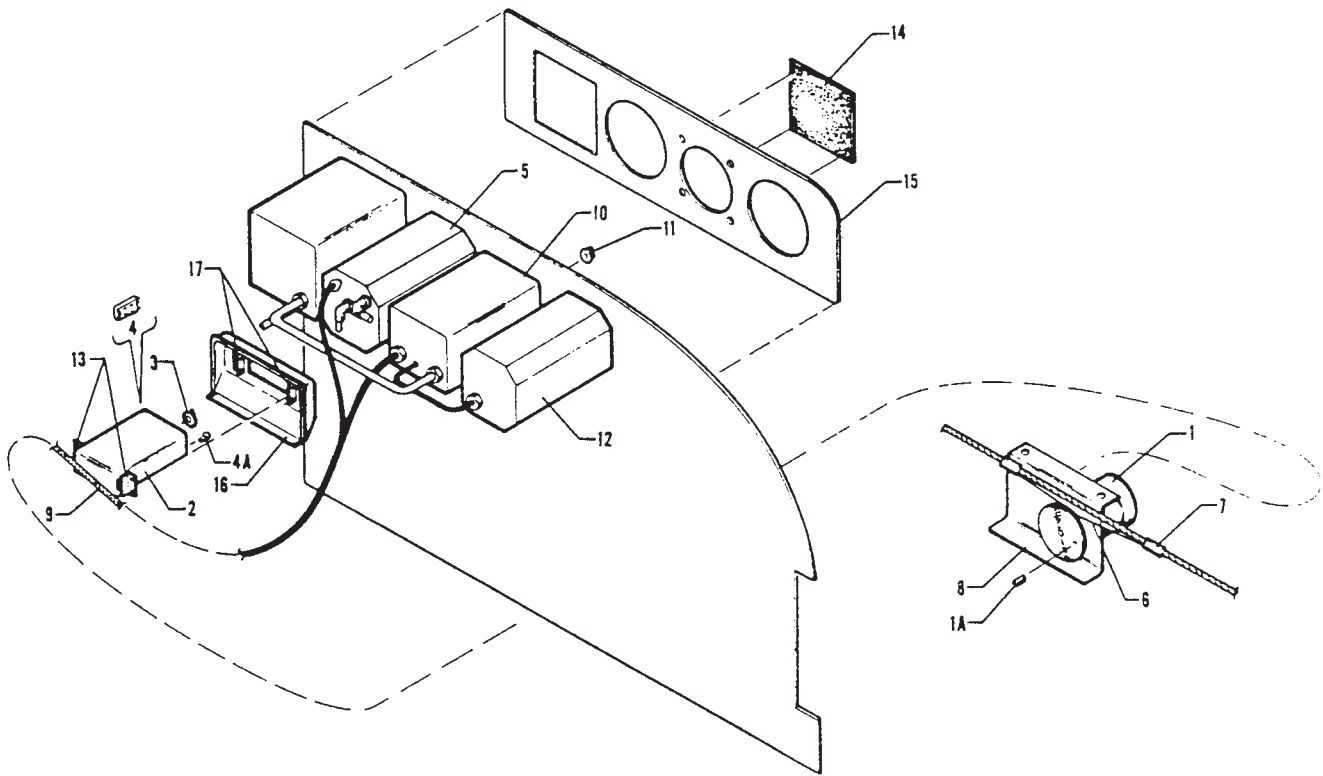


Figure 89. AutoControl III Installation
 (PA-28-150-160-180 - Serial Nos. 28-3590 to 28-4377 inclusive)
 (PA-28-235 - Serial Nos. 28-10741 to 28-11039 inclusive)

PA-28-150
 PA-28-160
 PA-28-180
 PA-28-235

THIS PAGE INTENTIONALLY LEFT BLANK

PIPER PARTS CATALOG

Figure and Index Number	Part Number	Code	NOMENCLATURE	No. Req.	SERIAL NUMBERS AFFECTED
89-	69122		DRAWING - AutoControl III Installation		
-1	753-721		SERVO ASSEMBLY - Roll (1D363-183R)	1	
-1a	757-579		* SET SCREW - Capstan (3S326)	1	
-2	751-283		CONSOLE AMPLIFIER ASSEMBLY - AutoControl III (1C338 S/N 1 to 10000 inclusive)	1	
-3	757-052		* KNOB - (36A98)	1	
-4	757-581		* SWITCH - Engage (40A22-4)	2	
-4a	753-496		* BULB - Console (65S28)	2	
-5	550-780		INSTRUMENT - Gyro horizon (32172-000) (3 inch)	1	
-6	753-980		CABLE ASSEMBLY - Bridle (30B200)	1	
-7	757-863	B	CLAMP ASSEMBLY - Bridle cable (42A173-1)	2	
-8	753-460		BRACKET - Mounting (7C511)	1	
-9	751-987		HARNESS ASSEMBLY - Amplifier (30C198)	1	
-10	551-114		COUPLER ASSEMBLY - Omni (25690-000)	1	
-11	757-052		* KNOB - (36A98)	1	
-12	550-778		INSTRUMENT - Directional gyro (32168-000) (3 inch)	1	
-13	69142-000		CLIP - Console mounting	2	
-14	11199-008		PLATE - Hole cover	1	
-15	68822-000		SUB-PANEL- 3 inch gyros	1	
-16	69121-000		COVER - AutoControl III console	1	
-17	62145-000		ANGLE - Console mounting	2	
<p>A - Used on PA-28-150, PA-28-160 and PA-28-180 with serial numbers 28-3590 to 28-4377 inclusive, and PA-28-235 with serial numbers 28-10741 to 28-11039 inclusive.</p> <p>B - Reference Piper Service Bulletin 279 to improve the bridle cable clamp attachment and eliminate the possibility of cable slippage.</p>					

When ordering, always specify Part Number, Description, and Serial Number of Aircraft

THIS PAGE INTENTIONALLY LEFT BLANK

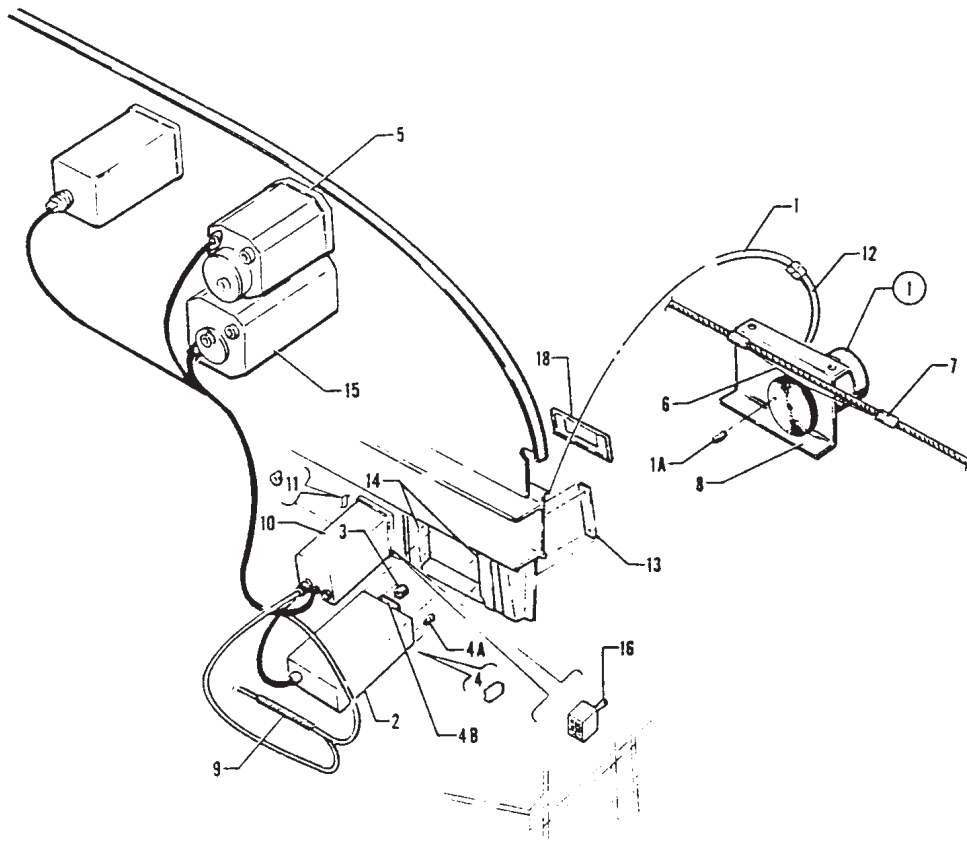


Figure 90. AutoControl III and III B Installation
 (PA-28-140 - Serial Nos. 28-25000 and up)
 (PA-28-180 - Serial Nos. 28-4378 and up)
 (PA-28-235 - Serial Nos. 28-11040 and up)
 (PA-28R-180 - Serial Nos. 28R-30005 to 28R-30481 inclusive, 28R-30483 and up)
 (PA-28R-200 - Serial Nos. 28R-30482, 28R-35001 and up)

PA-28-140
 PA-28-180
 PA-28-235
 PA-28R-180
 PA-28R-200

THIS PAGE INTENTIONALLY LEFT BLANK

PIPER PARTS CATALOG

Figure and Index Number	Part Number	Code	NOMENCLATURE	No. Req.	SERIAL NUMBERS AFFECTED
90-	67498 79221	E F	DRAWING - AutoControl III Installation DRAWING - AutoControl III and III B Installation		
-1	753-721 757-595	C C	SERVO ASSEMBLY - Roll (1D363-183R) SERVO ASSEMBLY - Roll (1C363-1-183R)	1 1	
-1a	757-579		* SET SCREW - Capstan (3S326)	1	
-2	751-283	D	CONSOLE AMPLIFIER ASSEMBLY - AutoControl III (1C338 S/N 1 to 10000 inclusive)	1	
	758-023	B	CONSOLE AMPLIFIER ASSEMBLY - AutoControl III B (1C338 S/N 10001 and up)	1	
-3	757-052		* KNOB - (36A98)	1	
-4	757-581	D	* SWITCH - Engage (40A22-4)	2	
-4a	753-496	D	* BULB - Console (65S28)	2	
-4b	758-024	B	* CIRCUIT BOARD - Face plate light (includes 4 bulbs) (1B686)	1	
-5	550-780		INSTRUMENT - Gyro horizon (32172-000) (3 inch)	1	
-6	753-980		CABLE ASSEMBLY - Bridle (30B200)	1	
-7	757-863	G	CLAMP ASSEMBLY - Bridle cable (42A173-1)	2	
<p>A - Used on PA-28-180 with serial numbers 28-4378 and up, PA-28-235 with serial numbers 28-11040 and up, PA-28-140 with serial numbers 28-25000 and up, PA-28R-180 and PA-28R-200 airplanes.</p> <p>B - Used on PA-28-140 with serial numbers 28-7525001 and up, PA-28-180 with serial numbers 28-7505001 and up, PA-28-235 with serial numbers 28-7510001 and up, and PA-28R-200 with serial numbers 28R-7535001 and up.</p> <p>C - Ascertain servo model number when ordering.</p> <p>D - Used on PA-28-140 with serial numbers 28-25000 to 28-7425454 inclusive, PA-28-180 with serial numbers 28-4378 to 28-7405290 inclusive, PA-28-235 with serial numbers 28-11040 to 28-7410120 inclusive, PA-28R-180 with serial numbers 28R-30005 to 28R-7130019 inclusive, and PA-28R-200 with serial numbers 28R-30482, 28R-35001 to 28R-7435331 inclusive.</p> <p>E - Used on PA-28-140 with serial numbers 28-25000 to 28-7325684 inclusive, PA-28-180 with serial numbers 28-4378 to 28-7305611 inclusive, PA-28-235 with serial numbers 28-11040 to 28-7310187 inclusive, PA-28R-180 with serial numbers 28R-30005 to 28R-7130019 inclusive, and PA-28R-200 with serial numbers 28R-30482, 28R-35001 to 28R-7335455 inclusive.</p> <p>F - Used on PA-28-140 with serial numbers 28-7425001 and up, PA-28-180 with serial numbers 28-7405001 and up, PA-28-235 with serial numbers 28-7410001 and up, and PA-28R-200 with serial numbers 28R-7435001 and up.</p> <p>G - Reference Piper Service Bulletin 279 to improve the bridle cable clamp attachment and eliminate the possibility of cable slippage.</p>					

When ordering, always specify Part Number, Description, and Serial Number of Aircraft

PIPER PARTS CATALOG

Figure and Index Number	Part Number	Code	NOMENCLATURE	No. Req.	SERIAL NUMBERS AFFECTED
90 -8	453-425	G	BRACKET - Servo mounting (7C511-3)	1	
	453-426	H	BRACKET - Servo mounting (7C511-2)	1	
-9	751-987		HARNESS ASSEMBLY - Amplifier (30C198)	1	
-10	551-114		COUPLER ASSEMBLY - Omni (25690-000)	1	
	596-512	E	COUPLER ASSEMBLY - Omni (25690-002)	1	
-11	757-052		* KNOB - (36A98)	1	
-12	757-878	B	CABLE ASSEMBLY - Roll servo (30A211-8R)	1	
-13	67493-000		SPACER - AutoControl console	2	
-14	67494-000		ANGLE - AutoControl console support, left	1	
	67494-001		ANGLE - AutoControl console support, right	1	
-15	550-778		INSTRUMENT - Directional gyro (32168-00) (3 inch)	1	
-16	688-164	C	SWITCH - Omni coupler (MTG-206P)	1	
-17	757-952		CABLE ASSEMBLY - Roll servo extension (30A211-156)	1	
	758-002		CABLE ASSEMBLY - Roll servo extension (30C211-156R)	1	
-18	79560-000	D,F	COVER - Console amplifier assembly	1	
<p>A - Used on PA-28-180 with serial numbers 28-4378 and up, PA-28-235 with serial numbers 28-11040 and up, PA-28-140 with serial numbers 28-25000 and up, PA-28R-180 and PA-28R-200 airplanes.</p> <p>B - Used with Servo Model 1C363-1-183R.</p> <p>C - Used on PA-28-140 with serial numbers 28-26401 and up, PA-28-180 with serial numbers 28-5601 and up, PA-28R-180 with serial numbers 28R-31251 and up, PA-28R-200 with serial numbers 28R-35601 and up, and PA-28-235 with serial numbers 28-11301 and up.</p> <p>D - Used on PA-28-140 with serial numbers 28-7425001 and up, PA-28-180 with serial numbers 28-7405001 and up, PA-28-235 with serial numbers 28-7410001 and up, and PA-28R-200 with serial numbers 28R-7435001 and up.</p> <p>E - Used if NSD-360 Radio Installation is installed.</p> <p>F - When ordering, specify color, 'Bark II', or black.</p> <p>G - Used on PA-28-140, PA-28-180 and PA-28-235 airplanes only.</p> <p>H - Used on PA-28R-180 and PA-28R-200 airplanes only.</p>					

PA-28-140
PA-28-180
PA-28-235
PA-28R-180
PA-28R-200

When ordering, always specify Part Number, Description, and Serial Number of Aircraft

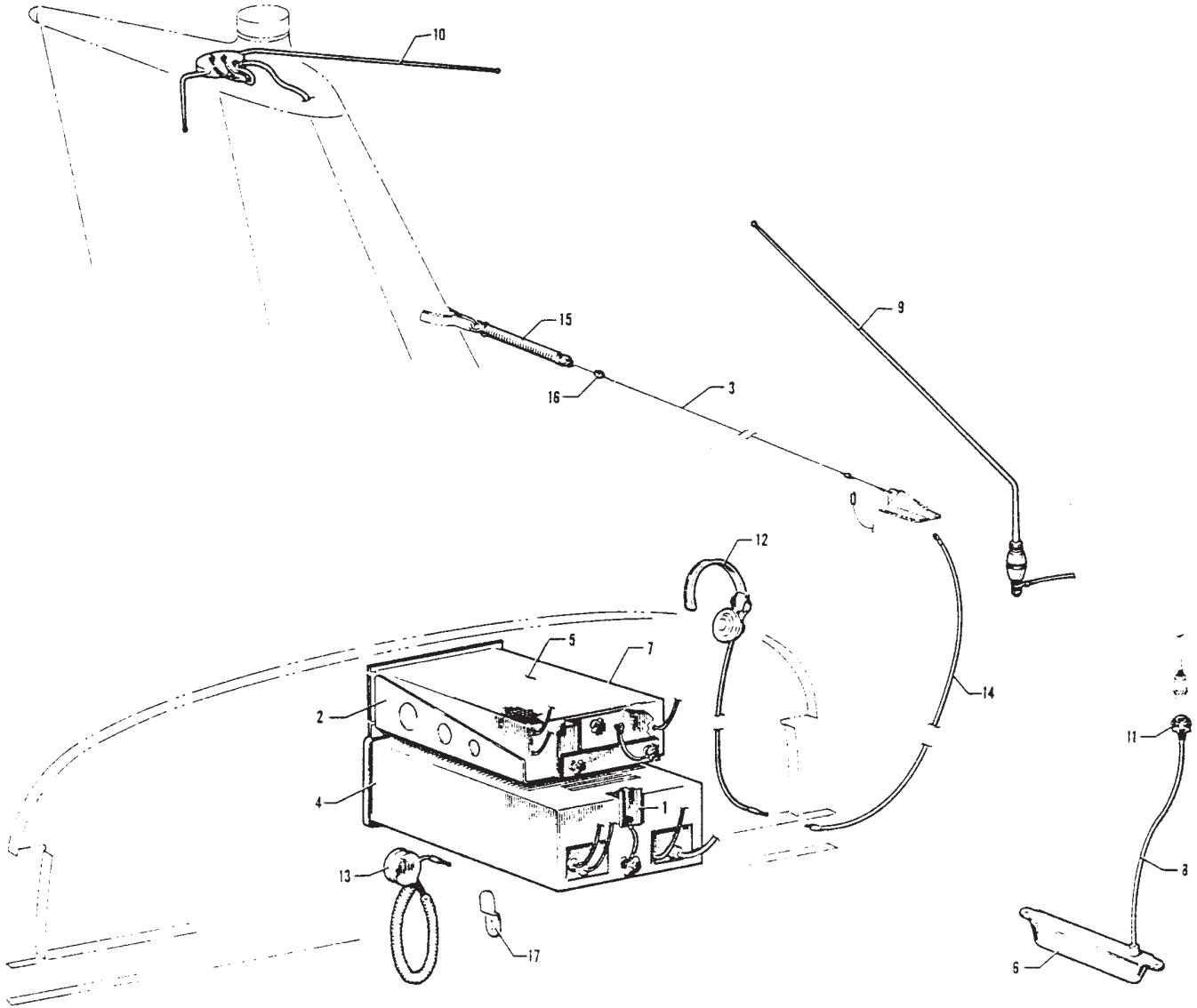


Figure 91. Piper PRC-4 AutoNav Radio Installation

PA-28-140
PA-28-150
PA-28-160
PA-28-180
PA-28-235

THIS PAGE INTENTIONALLY LEFT BLANK

PIPER PARTS CATALOG

Figure and Index Number	Part Number	Code	NOMENCLATURE	No. Req.	SERIAL NUMBERS AFFECTED
91-	63857		DRAWING - Standard Radio Installation		28-1 to 28-815 inclusive
	63975	C	DRAWING - Radio Installation, Piper PRC-3 AutoNav		
	62235	G	DRAWING - Radio Installation, Piper PRC-4 AutoNav		28-816 to 28-1520 inclusive
	63406	E	DRAWING - Radio Installation, Piper PRC-4 AutoNav		
	65712	D	DRAWING - Radio Installation, Piper PRC-4 AutoNav		
	63969		DRAWING - Radio Antenna Installation		
	62201	H	DRAWING - Radio Antenna Installation		
	62281	F	DRAWING - Radio Antenna Installation		
65236	B	DRAWING - Radio Antenna Installation			
-1	62624-000		CHANNEL - Radio support	1	28-1 to 28-815 inclusive
-2	62663-000		SUPPORT - Radio	1	28-1 to 28-815 inclusive
			<p>A - Used on PA-28-140 with serial numbers 28-20002 to 28-24999 inclusive, PA-28-150, PA-28-160 and PA-28-180 with serial numbers 28-1 to 28-4377 inclusive, and PA-28-235 with serial numbers 28-10003 to 28-11039 inclusive.</p> <p>B - Used on PA-28-150, PA-28-160 and PA-28-180 with serial numbers 28-1761 to 28-4377 inclusive, and PA-28-235 with serial numbers 28-10003 to 28-11039 inclusive.</p> <p>C - Used on PA-28-150, PA-28-160 and PA-28-180 with serial numbers 28-816 to 28-1520 inclusive, and PA-28-235 with serial numbers 28-10003 to 28-10232 inclusive.</p> <p>D - Used on PA-28-150, PA-28-160 and PA-28-180 with serial numbers 28-3378 to 28-4377 inclusive, and PA-28-235 with serial numbers 28-10720 to 28-11039 inclusive.</p> <p>E - Used on PA-28-150, PA-28-160 and PA-28-180 with serial numbers 28-1761 to 28-3377 inclusive, and 28-10487 to 28-10719 inclusive.</p> <p>F - Used on PA-28-150, PA-28-160 and PA-28-180 with serial numbers 28-1681 to 28-1760 inclusive, and PA-28-140 with serial numbers 23-20081 to 28-24999 inclusive.</p> <p>G - Used on PA-28-150, PA-28-160 and PA-28-180 with serial numbers 28-1521 to 28-1760 inclusive, PA-28-235 with serial numbers 28-10233 to 28-10486 inclusive, and PA-28-140 with serial numbers 28-20002 to 28-24999 inclusive.</p> <p>H - Used on PA-28-150, PA-28-160 and PA-28-180 with serial numbers 28-1521 to 28-1680 inclusive, and PA-28-140 With serial numbers 28-20002 to 28-20080 inclusive.</p>		

When ordering, always specify Part Number, Description, and Serial Number of Aircraft

PA-28-140
PA-28-150
PA-28-160
PA-28-180
PA-28-235

PIPER PARTS CATALOG

Figure and Index Number	Part Number	Code	NOMENCLATURE	No. Req.	SERIAL NUMBERS AFFECTED
91 -3 -4 -5 -6 -7 -8 -9 -10 -11 -12 -13	63885-000		ANTENNA ASSEMBLY - Receiving	1	28-1 to 28-1410 inclusive
	63885-005	D	ANTENNA ASSEMBLY - Receiving	1	
	62238-000	E	ANTENNA ASSEMBLY - Receiving	1	
	451-270		RECEIVER - Omni (VHT-3)	1	28-1 to 28-815 inclusive
	754-360	B	RADIO KIT - Piper AutoNav (PRC-3)	1	
	756-791	C	RADIO KIT - Piper AutoNav (PRC-4)	1	
	451-127	B	* ANTENNA - Loop (A-3-2.5) (PRC-3)	1	
	551-209	C	* ANTENNA - Loop (1-980004) (PRC-4)	1	
	451-129	B	* DIRECTION FINDER - Radio (PRC-3)	1	
	551-207	C	* DIRECTION FINDER - Radio (PRC-4)	1	
	451-128		* CABLE ASSEMBLY - Loop lead-in (22450)	1	
	451-272		ANTENNA ASSEMBLY - Transmitting (VTP-17)	1	
	451-273		ANTENNA ASSEMBLY - Omni receiving (VRP-37)	1	
580-894		PLUG - (C480149)	1		
464-362		HEADPHONE	1		
474-647		MICROPHONE - (Telephonics RS-38A) Black	1		
474-649		MICROPHONE - (Telex 66C) Black	1		
474-652		MICROPHONE - (Telex 60837-17) Beige	1		
<p>A - Used on PA-28-140 with serial numbers 28-20002 to 28-24999 inclusive, PA-28-150, PA-28-160 and PA-28-180 with serial numbers 28-1 to 28-4377 inclusive, and PA-28-235 with serial numbers 28-10003 to 28-11039 inclusive.</p> <p>B - Used on PA-28-150, PA-28-160 and PA-28-180 with serial numbers 28-816 to 28-1520 inclusive, and PA-28-235 with serial numbers 28-10003 to 28-10232.</p> <p>C - Used on PA-28-150, PA-28-160 and PA-28-180 with serial numbers 28-1521 to 28-4377 inclusive, and PA-28-235 with serial numbers 28-10233 to 28-11039 inclusive, and PA-28-140 with serial numbers 28-20002 to 28-24999 inclusive.</p> <p>D - Used on PA-28-140, PA-28-160 and PA-28-180 with serial numbers 28-1411 to 28-1680 inclusive, PA-28-140 with serial numbers 28-20002 to 28-20280 inclusive, and PA-28-235 with serial numbers 28-10003 to 28-10352 inclusive.</p> <p>E - Used on PA-28-150, PA-28-160 and PA-28-180 with serial numbers 28-1681 and up, PA-28-140 with serial numbers 28-20081 to 28-24999 inclusive, and PA-28-235 with serial numbers 28-10353 to 28-11039.</p>					

PA-28-140
PA-28-150
PA-28-160
PA-28-180
PA-28-235

When ordering, always specify Part Number, Description, and Serial Number of Aircraft

PIPER PARTS CATALOG

Figure and Index Number	Part Number	Code	NOMENCLATURE	No. Req.	SERIAL NUMBERS AFFECTED
91 -14 -15 -16 -17	63871-000	B	CABLE ASSEMBLY - Transmitting (150/160/180)	1	28-815 to 28-1680 inclusive 28-20002 to 28-20080 incl. 28-10003 to 28 10352 incl.
	63871-000		CABLE ASSEMBLY - Transmitting (140)	1	
	63871-000		CABLE ASSEMBLY - Transmitting (235)	1	
	62239-000		CABLE ASSEMBLY - Receiving Antenna	1	
	487-388		SPRING - Antenna tension (NAF1086-4)	1	
	467-065		INSULATOR - Porcelain (136-32)	1	
	454-889		CLIP - Microphone (Used with Telephonics Mike RS-38A)	1	
	453-415		CLIP - Microphone (Used with Telex Mike 66C)	1	
	453-417		CLIP - Microphone (Used with Telex Mike 60837-17)	1	
	<p>A - Used on PA-28-140 with serial numbers 28-20002 to 28-24999 inclusive, PA-28-150, PA-28-160 and PA-28-180 with serial numbers 28-1 to 28-4377 inclusive, and PA-28-235 with serial numbers 28-10003 to 28-11039 inclusive.</p> <p>B - Used on PA-28-150, PA-28-160 and PA-28-180 with serial numbers 28-1681 to 28-4377 inclusive, PA-28-140 with serial numbers 28-20081 to 28-24999 inclusive, and PA-28-235 with serial numbers 28-10353 to 28-11039 inclusive.</p>				

When ordering, always specify Part Number, Description, and Serial Number of Aircraft

PA-28-140
PA-28-150
PA-28-160
PA-28-180
PA-28-235

THIS PAGE INTENTIONALLY LEFT BLANK

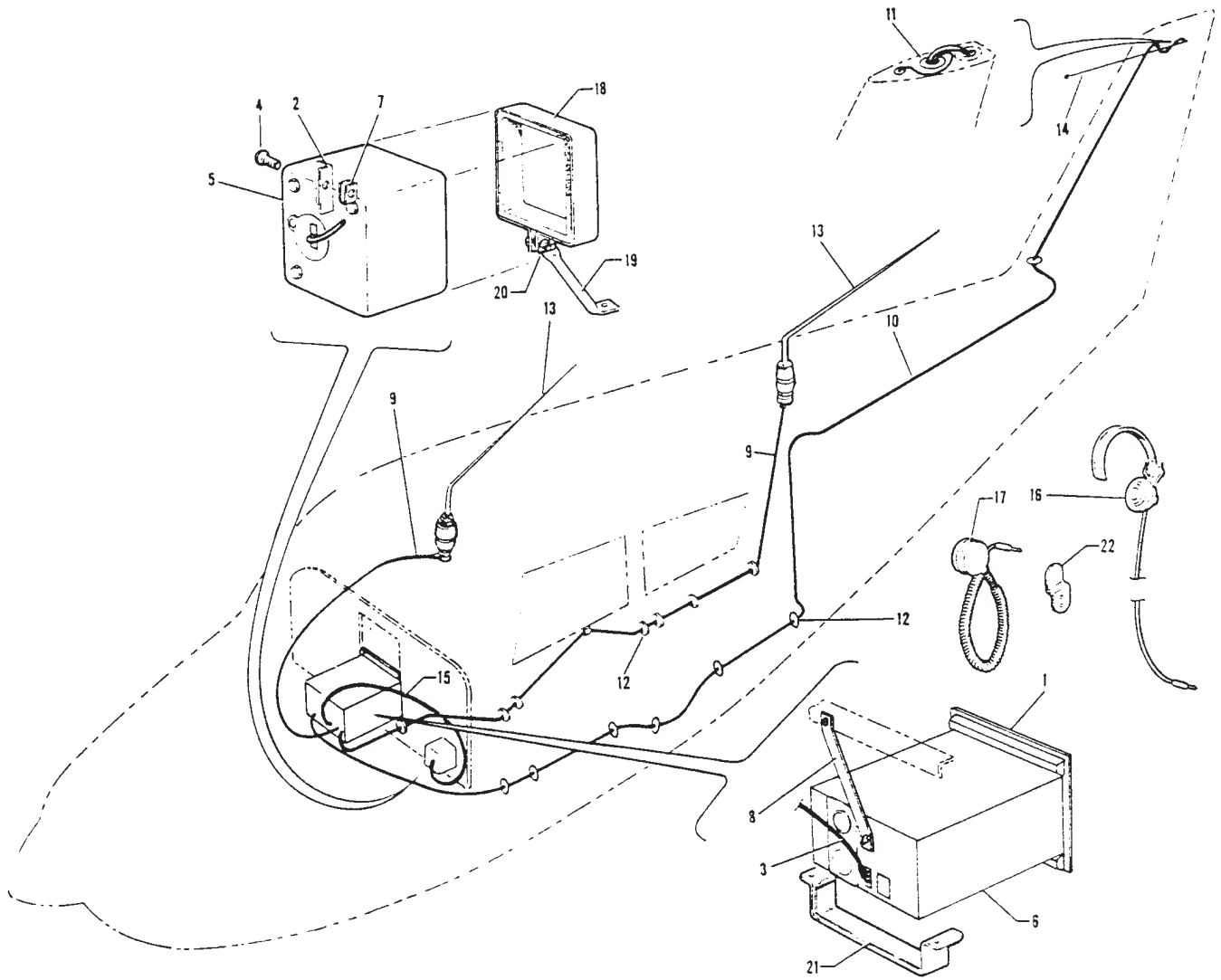


Figure 92. Piper PTR-1 Radio Installation

PA-28-140
 PA-28-150
 PA-28-160
 PA-28-180
 PA-28-235

THIS PAGE INTENTIONALLY LEFT BLANK

PIPER PARTS CATALOG

Figure and Index Number	Part Number	Code	NOMENCLATURE	No. Req.	SERIAL NUMBERS AFFECTED
92-	63979	D,H	DRAWING - Radio Installation, Piper PTR-1		
	62248	B,C	DRAWING - Radio Installation, Piper PTR-1		28-10166 to 28-10486 incl.
	63399	K	DRAWING - Radio Installation, Piper PTR-1		
	63969	M	DRAWING - Systems Installation, Radio Antenna		28-816 to 28-1414 inclusive
	62201	F	DRAWING - Systems Installation, Radio Antenna		
	62281	G	DRAWING - Systems Installation, Radio Antenna		
	65236	B,M	DRAWING - Systems Installation, Radio Antenna		28-1761 and up
-1	63980-000	H	PANEL - Radio trim	1	
-2	63983-000	D,H	CLIP - Omni head support	1	
-3	63984-002	E,L,M	CABLE ASSEMBLY - 17" L	1	
	63984-004	E,J,M	CABLE ASSEMBLY - 18" L	1	
	63984-003	B,C,L	CABLE ASSEMBLY - 36" L	1	28-10166 to 28-10486 incl.
	63984-005	B,C,J	CABLE ASSEMBLY - 36" L	1	28-10166 to 28-10486 incl.
-4	415-449	D	SCREW - (AN526-832-R8)	1	
-5	551-176		CONVERTER - 0-1 Omni	1	
	551-219		CONVERTER - 0L-1 Omni	1	
-6	551-174		RADIO - PTR-1, low band	1	
	551-175		RADIO - PTR-1, high band	1	
-7	405-709	D	NUT	1	
-8	63985-000	H	HANGER - Radio support	1	
<p>A - Used on PA-28-140 with serial numbers 28-20002 to 28-24999 inclusive, PA-28-150, PA-28-160 and PA-28-180 with serial numbers 28-816 to 28-4377 inclusive, and PA-28-235 with serial numbers 28-10003 to 28-11039 inclusive.</p> <p>B - Used on PA-28-235 airplanes only.</p> <p>C - Used when constant speed propeller is installed.</p> <p>D - Used when constant speed propeller is not installed.</p> <p>E - Used on PA-28-140 airplanes only.</p> <p>F - Used on PA-28-150, PA-28-160 and PA-28-180 with serial numbers 28-816 to 28-1680 inclusive, and PA-28-140 with serial numbers 28-20002 to 28-20080 inclusive.</p> <p>G - Used on PA-28-150, PA-28-160 and PA-28-180 with serial numbers 28-1681 to 28-4377 inclusive, and PA-28-140 with serial numbers 28-20081 and up.</p> <p>H - Used on PA-28-150, PA-28-160 and PA-28-180 with serial numbers 28-816 to 28-1760 inclusive, PA-28-235 with serial numbers 28-10003 to 28-10486 inclusive, and PA-28-140 with serial numbers 28-20002 to 28-24999 inclusive.</p> <p>J - Used when 0L-1 Omni Converter is installed.</p> <p>K - Used on PA-28-150, PA-28-160 and PA-28-180 with serial numbers 28-1761 to 28-4377 inclusive, and PA-28-235 with serial numbers 28-10487 to 28-11039 inclusive.</p> <p>L - Used when 0-1 Omni Converter is installed.</p> <p>M - Used on PA-28-150, PA-28-160 and PA-28-180 airplanes only.</p>					

When ordering, always specify Part Number, Description, and Serial Number of Aircraft

PA-28-140
PA-28-150
PA-28-160
PA-28-180
PA-28-235

PIPER PARTS CATALOG

Figure and Index Number	Part Number	Code	NOMENCLATURE	No. Req.	SERIAL NUMBERS AFFECTED
92 -9	63872-000		CABLE ASSEMBLY - Transmitting	1	28-816 to 28-1414 inclusive
	65333-000		CABLE ASSEMBLY - Transmitting	1	28-1415 and up
-10	63873-000		CABLE ASSEMBLY - Receiving	1	28-816 to 28-1414 inclusive
	65192-000		CABLE ASSEMBLY - Receiving	1	28-1415 and up
-11	434-144		GROMMET - (AN931-16-22)	1	
-12	463-390		GROMMET - (1659) Receiving cable	8	
	434-135		GROMMET - (AN931-8-13) Transmitting cable	8	
-13	451-272		ANTENNA - Transmitting (VTP-17)	1	
-14	451-273		ANTENNA - Receiving (VRP-37)	1	
-15	551-177		CABLE ASSEMBLY - Adapter	1	
-16	464-362		HEADPHONE	1	
-17	474-647		MICROPHONE - (Telephonics RS-38A) Black	1	
	474-649		MICROPHONE - (Telex 66C) Black	1	
	474-652		MICROPHONE - (Telex 60837-017) Beige	1	
-18	62241-000	B,C	BRACKET ASSEMBLY - Omni support	1	28-10166 to 28-10486 incl.
-19	62242-000	B,C	TUBE - Omni bracket support	1	28-10166 to 28 10486 incl.
-20	486-190	B,C	SCREW - Wing (9080)	1	28-10166 to 28-10486 incl.
	406-357	B,C	NUT - (A190-832-1)	1	28-10166 to 28-10486 incl.
-21	63097-000	B,D	BRACKET ASSEMBLY - Radio support	1	
-22	454-889		CLIP - Microphone (Used with Telephonics Mike RS-38A)	1	
	453-415		CLIP - Microphone (Used with Telex Mike 66C)	1	
	453-417		CLIP - Microphone (Used with Telex Mike 60837-017)	1	
-23	754-477	E	KIT - Radio cooling (Not Illustrated)	AR	

A - Used on PA-28-140 with serial numbers 28-20002 to 28-24999 inclusive, PA-28-150, PA-28-160 and PA-28-180 with serial numbers 28-816 to 28-4377 inclusive, and PA-28-235 with serial numbers 28-10003 to 28-11039 inclusive.
 B - Used on PA-28-235 airplanes only.
 C - Used when constant speed propeller is installed
 D - Used on PA-28-150, PA-28-160 and PA-28-180 airplanes only.
 E - Used in PA-28 Cherokees with serial numbers 28-1 to 29-913. Reference Piper Service Letter 394.

PA-28-140
PA-28-150
PA-28-160
PA-28-180
PA-28-235

When ordering, always specify Part Number, Description, and Serial Number of Aircraft

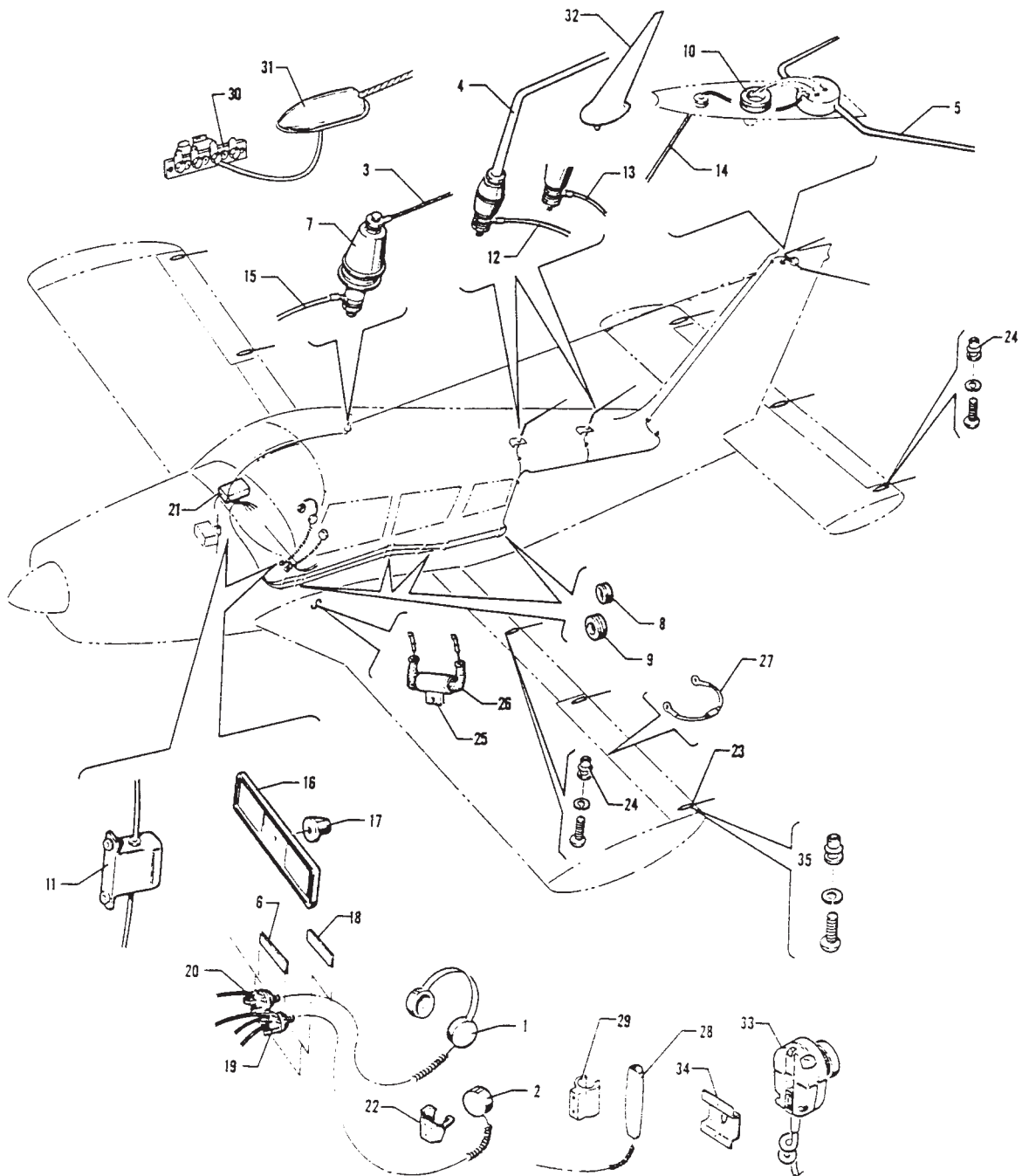


Figure 93. Radio, Antenna System and Static Wicks Installation
 (PA-28-140 - Serial Nos. 28-25000 and up)
 (PA-28-180 - Serial Nos. 28-4378 and up)
 (PA-28-235 - Serial Nos. 28-11040 and up)
 (PA-28R-180 - Serial Nos. 28R-30005 to 28R-30481 inclusive, 28R-30483 and up)
 (PA-28R-200 - Serial Nos. 28R-30482, 28R-35001 and up)

PA-28-140
 PA-28-180
 PA-28-235
 PA-28R-180
 PA-28R-200

THIS PAGE INTENTIONALLY LEFT BLANK

PIPER PARTS CATALOG

Figure and Index Number	Part Number	Code	NOMENCLATURE	No. Req.	SERIAL NUMBERS AFFECTED
93-	67440 66738 67455 99461 79153 69667	D E B C J	DRAWING - Radio Systems Installation DRAWING - Radio Systems Installation DRAWING - Radio Antenna Systems Installation DRAWING - Radio Antenna Systems installation DRAWING - All Weather Radio Antenna System Installation DRAWING - Static Wick Installation		28-25001 and up
-1	464-362		HEADPHONE 1		
-2	474-652		MICROPHONE - Telex (60837-17)	1	
-3	62238-000 99841-000 62238-011 99841-004	F E G H	ANTENNA ASSEMBLY - Receiving ANTENNA ASSEMBLY - Receiving ANTENNA ASSEMBLY - Receiving ANTENNA ASSEMBLY - Receiving	1 1 1 1	28-7225185 and up 28R-7235001 to 28R-7235081 incl.
-4	451-272		ANTENNA ASSEMBLY - Transmitting (VTP-17)	2	
-5	451-273		ANTENNA ASSEMBLY - Omni-receiving (VRP-37)	1	
<p>A - Used on PA-28-180 with serial numbers 28-4378 and up, PA-28-235 with serial numbers 28-11040 and up, PA-28-140 with serial numbers 28-25000 and up, PA-28R-180 and PA-28R-200.</p> <p>B - Used on PA-28-180 with serial numbers 28-4378 to 28-5869 inclusive, PA-28R-180 with serial numbers 28R-30005 to 28R-30481, 28R-30483 to 28R-31279 inclusive, PA-28-235 with serial numbers 28-11040 to 28-11393 inclusive, PA-28-140 with serial numbers 28-25000 to 28-26956 inclusive, and PA-28R-200 with serial numbers 28R-30482, 28R-35001 to 28R-35830 inclusive.</p> <p>C - Used on PA-28-180 with serial numbers 28-7105001 and up, PA-28R-180 with serial numbers 28R-7130001 and up, PA-28-235 with serial numbers 28-7110001 and up, PA-28-140 with serial numbers 28-7125001 and up and PA-28R-200 with serial numbers 28R-7135001 and up.</p> <p>D - Used on PA-28-180, PA-28R-180, PA-28-235 and PA-28R-200 airplanes only.</p> <p>E - Used on PA-28-140 airplanes only.</p> <p>F - Used on PA-28-180 with serial numbers 28-4378 to 28-7205179 inclusive, PA-28-235 with serial numbers 28-11040 to 28-7210011 inclusive, PA-28-140 with serial numbers 28-25000 to 28-7225184 inclusive, PA-28R-180 with serial numbers 28R-30005 to 28R-7130019 inclusive, and PA-28R-200 with serial numbers 28R-30482, 28R-35001 to 28R-713238 inclusive.</p> <p>G - Used on PA-28R-200 airplanes only.</p> <p>H - Used on PA-28-180 with serial numbers 28-7205180 and up, PA-28-235 with serial numbers 28-7210012 and up and PA-28R-200 with serial numbers 28R-7235082 and up.</p> <p>J - Used on PA-28-140 with serial numbers 28-7325397 and up, PA-28-180 with serial numbers 28-7305382 and up, PA-28-235 with serial numbers 28-7310139 and up and PA-28R-200 with serial numbers 28R-7335232 and up.</p>					

When ordering, always specify Part Number, Description, and Serial Number of Aircraft

PA-28-140
PA-28-180
PA-28-235
PA-28R-180
PA-28R-200

PIPER PARTS CATALOG

Figure and Index Number	Part Number	Code	NOMENCLATURE	No. Req.	SERIAL NUMBERS AFFECTED
93 -6	66837-000		PLACARD - Mike jack (with console mike jack)	1	
-7	467-064		INSULATOR - Antenna (135-40)	1	
-8	453-838		BUSHING - Snap	8	
-9	453-836		BUSHING - Snap	8	
-10	434-144		GROMMET - (MS35489-23)	1	
-11	596-059	G	COUplet - Two set (VRP-40)	1	
	555-501	D	COUPLER - (AVB-10)	1	
-12	65333-000	G	CABLE ASSEMBLY - Transmitting	1	
	99610-000	D	CABLE ASSEMBLY - Transmitting	1	
-13	65333-004	G	CABLE ASSEMBLY - Transmitting	1	
	99610-002	D	CABLE ASSEMBLY - Transmitting	1	
-14	65192-000	G	CABLE ASSEMBLY - Receiving	1	
	65192-009	D	CABLE ASSEMBLY - Receiving	1	
-15	62239-000		CABLE ASSEMBLY - Receiving (with 10" shield)	1	
	596-118		CABLE ASSEMBLY - Receiving (90677-067) (completely shielded)	1	
-16	67333-002	G	COVER ASSEMBLY - Radio junction box	1	
	67333-003	G	COVER ASSEMBLY - Transmitter selector	1	
-17	571-103	G	KNOB - Selector switch (S-657-3L-BB)	1	
-18	67471-000		PLACARD - Mike and phone	1	
	66838-000		PLACARD - Headphone	1	
-19	468-002		JACK - Mike (S12B)	2	
-20	468-006		JACK - Phone (11)	1	
-21	68941-000	B,F,G	BOX ASSEMBLY - Radio junction	1	
	68876-000	C,F,G	SELECTOR ASSEMBLY - Transmitter	1	
	99395-000	D,F,H	AUDIO SELECTOR ASSEMBLY	1	
	99395-002	D,F,J	AUDIO SELECTOR ASSEMBLY	1	
	99395-003	D,E,F	AUDIO SELECTOR ASSEMBLY	1	
<p>A - Used on PA-28-180 with serial numbers 28-4378 and up, PA-28-235 with serial numbers 28-11040 and up, PA-28-140 with serial numbers 28-25000 and up, PA-28R-180 and PA-28R-200.</p> <p>B - Used if single radio is installed.</p> <p>C - Used if dual radios are installed.</p> <p>D - Used on PA-28-180 with serial numbers 28-7105001 and up, PA-28R-180 with serial numbers 28R-7130001 and up, PA-28-235 with serial numbers 28-7110001 and up, PA-28-140 with serial numbers 28-7125001 and up and PA-28R-200 with serial numbers 28R-7135001 and up.</p> <p>E - With microphone switch, dual VHF switches, ADF switch and marker beacon switches.</p> <p>F - See Figure 95 for component parts.</p> <p>G - Used on PA-28-180 with serial numbers 28-4378 to 28-5869 inclusive, PA-28R-180 with serial numbers 28R-30005 to 28R-30481, 28R-30483 to 28R-31279 inclusive, PA-28-235 with serial numbers 28-11040 to 28-11393 inclusive, PA-28-140 with serial numbers 28-25000 to 28-26956 inclusive, and PA-28R-200 with serial numbers 28R-30482, 28R-35001 to 28R-35830 inclusive.</p> <p>H - With single VHF switch, ADF switch and marker beacon switches.</p> <p>J - With microphone switch, dual VHF switches and ADF switch.</p>					

PA-28-140
 PA-28-180
 PA-28-235
 PA-28R-180
 PA-28R-200

When ordering, always specify Part Number, Description, and Serial Number of Aircraft

PIPER PARTS CATALOG

Figure and Index Number	Part Number	Code	NOMENCLATURE	No. Req.	SERIAL NUMBERS AFFECTED
93 -22	453-417	B	CLIP - Microphone	1	
	99680-008	C,F	SUPPORT - Microphone, black	1	
-23	494-678		WICK - Static (SW10-96)	9	
-24	415-520		SCREW - (MS35206-230)	10	
	407-441		WASHER - (MS35338-41)	10	
	406-848		RIVNUT - (A6K75)	10	
-25	554-224		CAPACITOR - Filter (fuel pump noise)	1	
-26	23969-002		NIPPLE - Capacitor	2	
-27	469-600		JUMPER ASSEMBLY - Lightning protection (MS25083-3AA6)	7	
-28	474-642		MICROPHONE - Telex (62800-001)	1	
-29	565-523		HOLDER - Microphone - Telex (64022-000)	1	
-30	79152-000	D	STRIP ASSEMBLY - All weather antenna terminal	1	
	79152-002	D,E	STRIP ASSEMBLY - All weather antenna terminal	1	
-31	79160-000	D	ANTENNA ASSEMBLY - All weather receiving	1	
-32	596-332	D	ANTENNA - Broadband, VHF COMM, (Communication Components)	2	
	596-664	D	ANTENNA - Broadband, VHF COMM, (Dorne & Margloin)	2	
-33	474-655		MICROPHONE - Narco (M700A)	1	
-34	554-686		CLIP - Microphone holder (90Z1136)	1	
-35	415-521		SCREW - (MS35206-231)	8	
	407-441		WASHER - (MS35338-41)	8	
	406-848		RIVNUT - (A6K75)	8	
<p>A - Used on PA-28-180 with serial numbers 28-4378 and up, PA-28-235 with serial numbers 28-11040 and up, PA-28-140 with serial numbers 28-25000 and up, PA-28R-180 and PA-28R-200.</p> <p>B - Used on PA-28-180 with serial numbers 28-4378 to 28-7105244 inclusive, PA-28-235 with serial numbers 28-11040 to 28-7110042 inclusive, PA-28-140 with serial numbers 28-25000 to 28-7125651 inclusive, PA-28R-180 and PA-28R-200 airplanes.</p> <p>C - Used on PA-28-180 with serial numbers 28-7205001 and up, PA-28-235 with serial numbers 28-7120001 and up, and PA-28-140 with serial numbers 28-7225001 and up.</p> <p>D - Used on PA-28-140 with serial numbers 28-7325397 and up, PA-28-180 with serial numbers 28-7305382 and up, PA-28-235 with serial numbers 28-7310139 and up, and PA-28R-200 with serial numbers 28R-7335232 and up.</p> <p>E - Used if Bendix ADF-T-12C or ADF-T-12D receiver is installed.</p> <p>F - When ordering, specify color black or "bark II".</p>					

When ordering, always specify Part Number, Description, and Serial Number of Aircraft

PA-28-140
PA-28-180
PA-28-235
PA-28R-180
PA-28R-200

THIS PAGE INTENTIONALLY LEFT BLANK

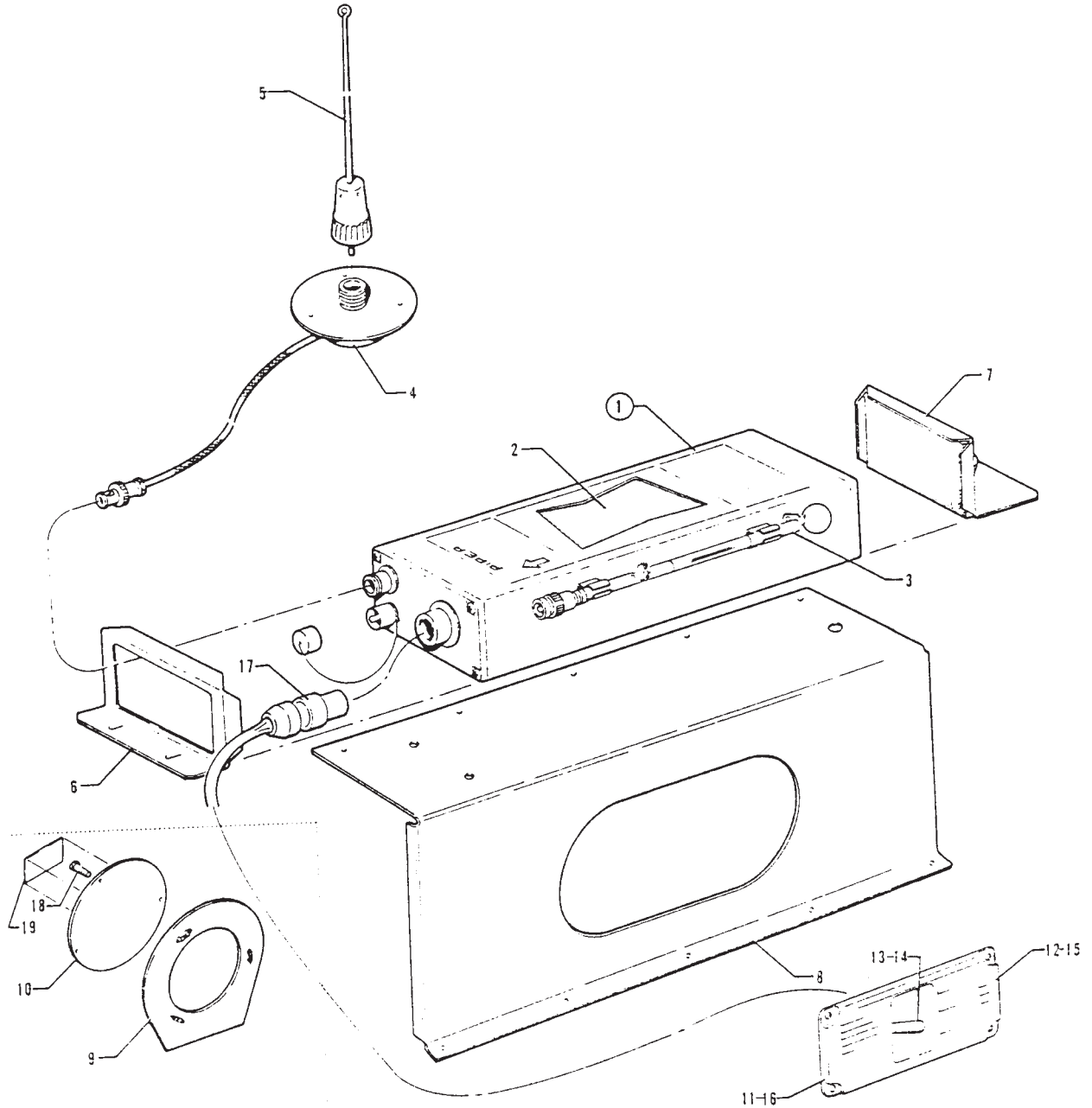


Figure 93A. Piper Automatic Locator (ELT) Installation
(Garrett Manufacturing, Ltd.)

THIS PAGE INTENTIONALLY LEFT BLANK

PIPER PARTS CATALOG

Figure and Index Number	Part Number	Code	NOMENCLATURE	No. Req.	SERIAL NUMBERS AFFECTED
93A-	99890		DRAWING - Piper Automatic Locator (ELT) installation		
-1	756-398	E	TRANSMITTER ASSEMBLY - Automatic locator (627484-001) (includes magnesium battery pack)	1	
	761-939	E	TRANSMITTER ASSEMBLY - Automatic locator (627674-001) (includes magnesium battery pack)	1	
	761-967	E	TRANSMITTER ASSEMBLY - Automatic locator (627810-001) (includes lithium battery pack)	1	
-2	758-281	B,C	* BATTERY PACK - Transmitter assembly (magnesium)	1	
	758-364	A,E	* BATTERY PACK - Transmitter assembly (lithium)	1	
-3	751-316		* ANTENNA ASSEMBLY - Telescopic	1	
-4	751-318		CABLE AND BASE ASSEMBLY - Whip antenna	1	
-5	751-319		ANTENNA ASSEMBLY - Whip (less cable and base)	1	
-6	758-266		BRACKET - Forward transmitter mounting	1	
-7	758-267		BRACKET ASSEMBLY - Aft transmitter mounting (includes lock knob)	1	
-8	99887-002		BRACKET ASSEMBLY - Emergency locator transmitter	1	
-9	99888-000		RING ASSEMBLY - Emergency locator transmitter	1	
-10	99889-000		COVER ASSEMBLY - Emergency locator transmitter	1	
-11	79033-000	C,D	SWITCH AND COVER ASSEMBLY - ELT	1	
-12	69669-015	C	* PLACARD - Warning (exposed switch)	1	
	69669-066	C	* PLACARD - Warning (recessed switch)	1	
-13	587-952	C	* SWITCH - (SF1LBX183-7)	1	
-14	588-011	A	SWITCH	1	
-15	69669-107	A	PLACARD - Warning	1	
-16	79463-000	A,D	COVER - ELT Switch	1	
-17	555-731	C	CONNECTOR - (612129-3)	1	
-18	486-281		SCREW	3	
-19	35669-105		PLACARD - ELT location	1	
			A - Used with Transmitter Assembly Part Number 761-967 (Model 627810-1).		
			B - Used with Transmitter Assembly Part Number 756-398 (Model 627484-1).		
			C - Used with Transmitter Assembly Part Number 761-939 (Model 627674-1).		
			D - When ordering, specify color red, blue/green, tan, black or avocado.		
			E - No longer available. Order ELT Replacement Kit 763-842 (Garrett ELT to Narco ELT 10) as a replacement. Refer to Piper Service Letter 820.		

When ordering, always specify Part Number, Description, and Serial Number of Aircraft

THIS PAGE INTENTIONALLY LEFT BLANK

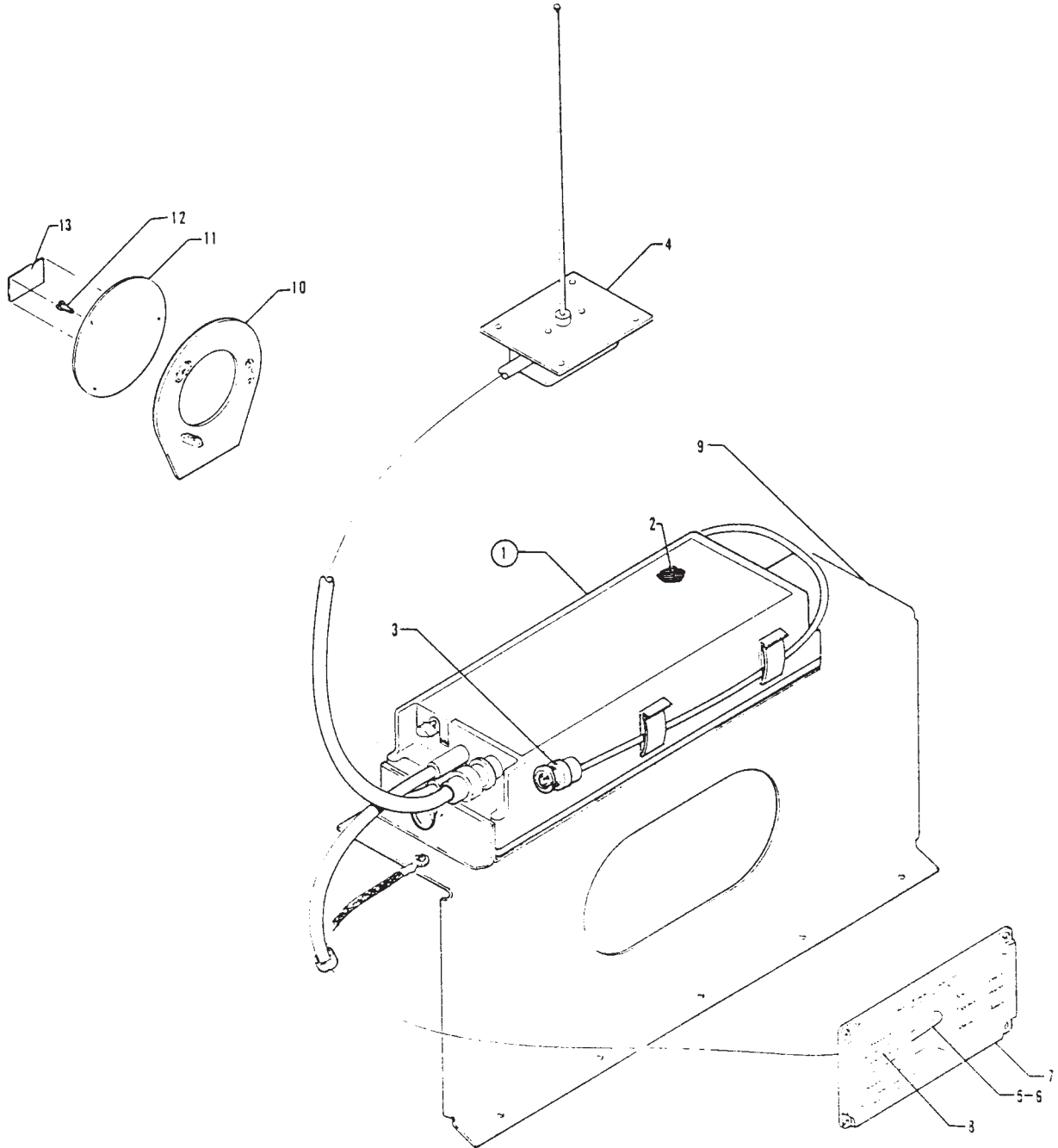


Figure 93B. Piper Automatic Locator (ELT) Installation
(Communications Components Corp.)

THIS PAGE INTENTIONALLY LEFT BLANK

PIPER PARTS CATALOG

Figure and Index Number	Part Number	Code	NOMENCLATURE	No. Req.	SERIAL NUMBERS AFFECTED
93B-	79761		DRAWING - Piper Automatic Locator (ELT) Installation		
-1	762-030		TRANSMITTER ASSEMBLY - Automatic locator (CIR-11-2) (includes alkaline battery pack)	1	
-2	758-528		* BATTERY PACK - Transmitter assembly (alkaline)	1	
-3	758-092		* ANTENNA ASSEMBLY - Portable (10-249)	1	
-4	763-004		ANTENNA ASSEMBLY - Whip (10-234)	1	
-5	79762-002		SWITCH AND HARNESS ASSEMBLY - ELT	1	
-6	588-030		* SWITCH - (8A2051)	1	
-7	79463-002	A	COVER - ELT Switch	1	
-8	69669-066		PLACARD - Warning	1	
-9	99887-004		BRACKET ASSEMBLY - Emergency locator transmitter	1	
-10	99888-000		RING ASSEMBLY - Emergency locator transmitter	1	
-11	99889-000		COVER ASSEMBLY - Emergency locator transmitter	1	
-12	486-281		SCREW - Nylon	3	
-13	35669-105		PLACARD - ELT location	1	
<p>A - When ordering, specify color red, blue/green, gold, black, green or bark. Specify color "bark II" for PA-28-140 with serial numbers 28-7725001 to 28-7725174 inclusive, PA-28-235 with serial numbers 28-7710001 to 28-77100010 inclusive, and PA-28R-200 with serial numbers 28R-7635504 and up. Specify color "bark II" or black for PA-28-140 with serial numbers 28-7725175 and up, PA-28-235 with serial numbers 28-7710011 and up.</p>					

When ordering, always specify Part Number, Description, and Serial Number of Aircraft

THIS PAGE INTENTIONALLY LEFT BLANK

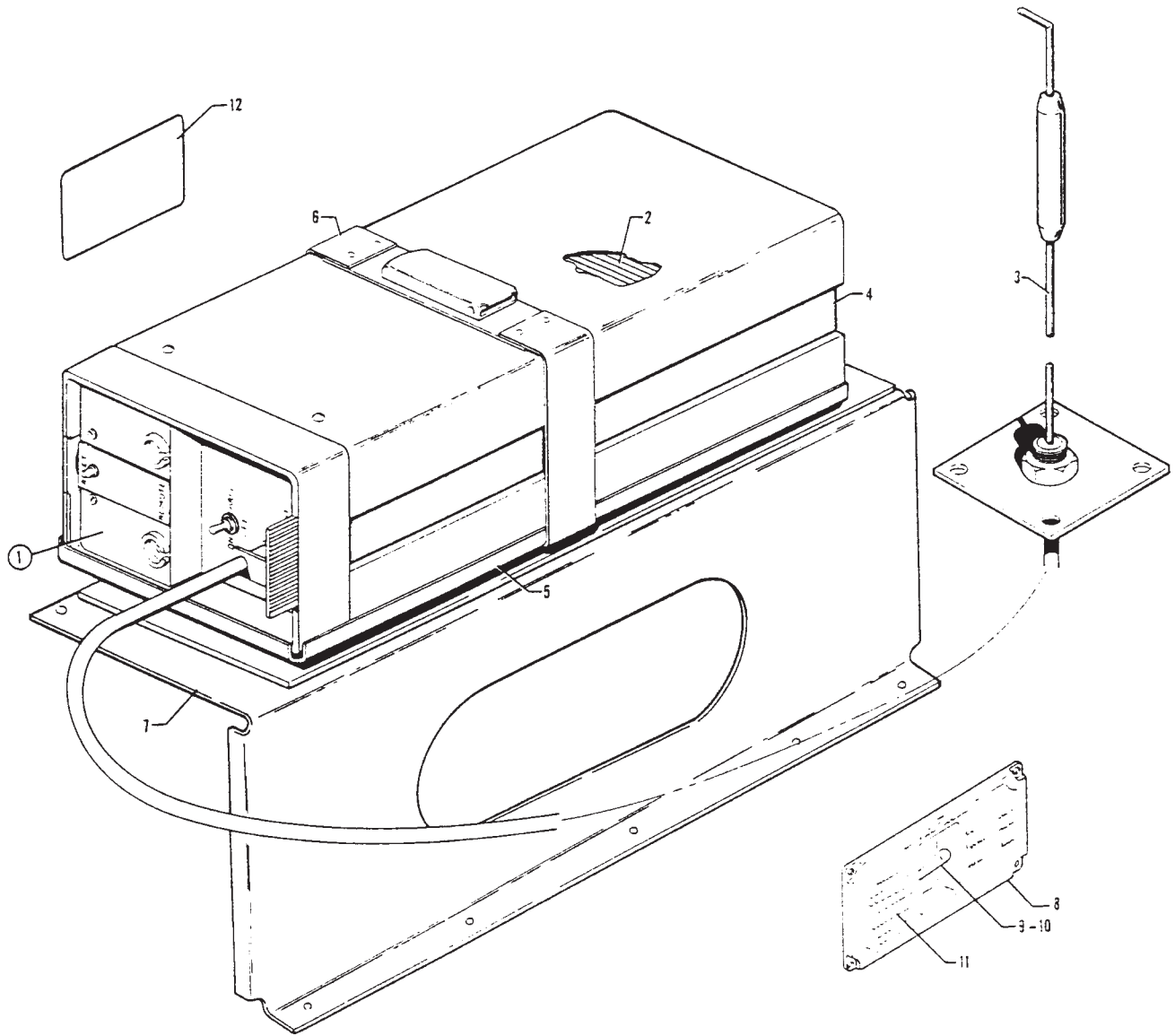


Figure 93C. Piper Automatic Locator (ELT) Installation
(Narco Avionics)

THIS PAGE INTENTIONALLY LEFT BLANK

PIPER PARTS CATALOG

Figure and Index Number	Part Number	Code	NOMENCLATURE	No. Req.	SERIAL NUMBERS AFFECTED
93C-	36632		DRAWING - Piper Automatic Locator (ELT) Installation		
-1	597-461		TRANSMITTER ASSEMBLY - Automatic locator (ELT 10) (includes alkaline battery pack)	1	
-2	758-452		* BATTERY PACK - Transmitter assembly (57674-0001)	1	
-3	597-257		* ANTENNA ASSEMBLY - ELT (01652-0101)	1	
-4	763-019		* ANTENNA - Blade, portable (57667-0001)	1	
-5	758-453		* BASE - Transmitter assembly (57666-0001)	1	
-6	762-357		* STRAP - Transmitter assembly (57682-0101)	1	
-7	99887-006		BRACKET ASSEMBLY - Emergency locator transmitter	1	
-8	79463-000		COVER - ELT switch, black	1	
-9	79599-000		SWITCH AND HARNESS ASSEMBLY - ELT	1	
-10	588-011		* SWITCH	1	
-11	35669-132		PLACARD - Warning	1	
-12	35669-105		PLACARD - ELT location	1	

When ordering, always specify Part Number, Description, and Serial Number of Aircraft

THIS PAGE INTENTIONALLY LEFT BLANK

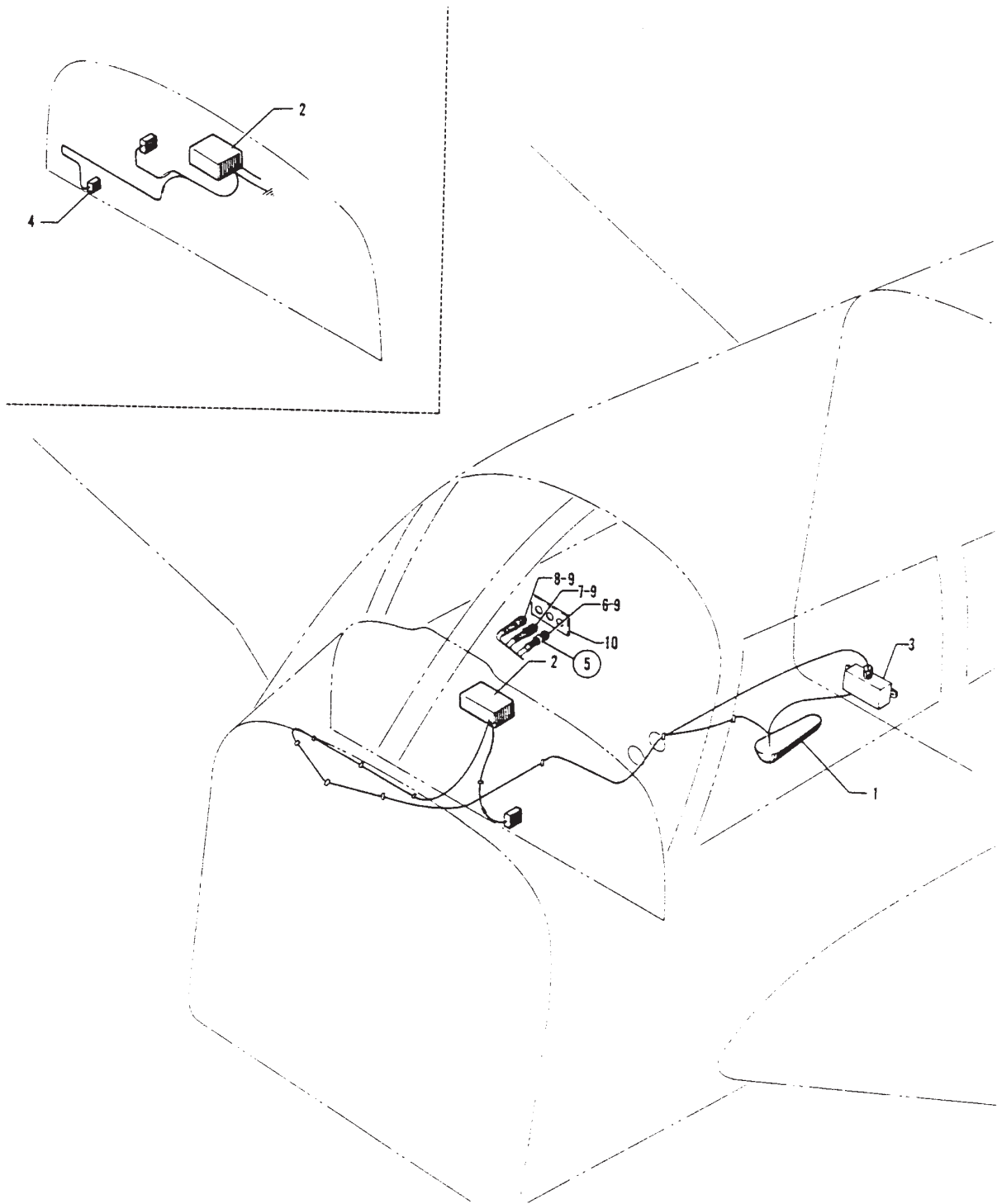


Figure 94. Piper PM-1 Marker Beacon Installation
 (PA-28-140 - Serial Nos. 28-25000 to 28-7425454 inclusive)
 (PA-28-150-160-180 - Serial Nos. 28-1761 to 28-7405290 inclusive)
 (PA-28-235 - Serial Nos. 28-10487 to 28-7410120 inclusive)
 (PA-28R-180 - Serial Nos. 28R-30005 to 28R-30481 inclusive, 28R-30483 to 28R-7130019 inclusive)
 (PA-28R-200 - Serial Nos. 28R-30482, 28R-35001 to 28R-7435331 inclusive)

THIS PAGE INTENTIONALLY LEFT BLANK

PIPER PARTS CATALOG

Figure and Index Number	Part Number	Code	NOMENCLATURE	No. Req.	SERIAL NUMBERS AFFECTED
94-	63491 65709 67454	F B C	DRAWING - Piper PM-1 Marker Beacon Installation DRAWING - Piper PM-1 Marker Beacon Installation DRAWING - Piper PM-1 Marker Beacon Installation		
-1 -2	551-216 551-232	D,E	<p>RECEIVER - Marker beacon (1-950005) CONTROL HEAD - Marker beacon (1-950013)</p> <p>A - Used on PA-28-150, PA-28-160 and PA-28-180 with serial numbers 28-1761 to 28-7405290 inclusive, PA-28-140 with serial numbers 28-25000 to 28-7425454 inclusive, PA-28-235 with serial numbers 28-10487 to 28-7410120 inclusive, PA-28R-180 with serial numbers 28R-30005 to 28R-30481 inclusive, 28R-30483 to 28R-7130019 inclusive, and PA-28R-200 with serial numbers 28R-30482, 28R-35001 to 28R-7435331 inclusive.</p> <p>B - Used on PA-28-150, PA-28-160 and PA-28-180 with serial numbers 28-3378 to 28-4377 inclusive, and PA-28-235 with serial numbers 28-10720 to 28-11039 inclusive.</p> <p>C - Used on PA-28-140 with serial numbers 28-25000 to 28-7425454 inclusive, PA-28-180 with serial numbers 28-4378 to 28-7405290 inclusive, PA-28-235 with serial numbers 28-11040 to 28-7410120 inclusive, PA-28R-180 with serial numbers 28R-30005 to 28R-30481 inclusive, 28R-30483 to 28R-7130019 inclusive, and PA-28R-200 with serial numbers 28R-30482, 28R-35001 to 28R-7435331 inclusive.</p> <p>D - Used if trim panel indicator lights are installed.</p> <p>E - Used on PA-28-140 with serial numbers 28-25000 to 28-26956 inclusive, PA-28-150, PA-28-160 and PA-28-180 with serial numbers 28-1761 to 28-5869 inclusive, PA-28-235 with serial numbers 28-10487 to 28-11393 inclusive, PA-28R-180 with serial numbers 28R-30005 to 28R-30481 inclusive, 28R-30483 to 28R-31279 inclusive, and PA-28R-200 with serial numbers 28R-30482, 28R-35001 to 28R-35830 inclusive.</p> <p>F - Used on PA-28-150, PA-28-160 and PA-28-180 with serial numbers 28-1761 to 28-3377 inclusive, and PA-28-235 with serial numbers 28-10487 to 28-10719 inclusive.</p>	1 1	

When ordering, always specify Part Number, Description, and Serial Number of Aircraft

PIPER PARTS CATALOG

Figure and Index Number	Part Number	Code	NOMENCLATURE	No. Req.	SERIAL NUMBERS AFFECTED
94 -3	596-138	C,D	CONTROL PANEL - Marker beacon (1-950018)	1	
	596-181	E	CONTROL PANEL - Marker beacon (1-950019)	1	
-4	464-700	G	CIRCUIT BREAKER - Black button 5 amp	1	
	454-706	F	CIRCUIT BREAKER - White button 5 amp	1	
-5	99398-000	B	LIGHT ASSEMBLY - Marker beacon (complete)	1	
-6	472-823	B	* LIGHT ASSEMBLY - Blue (134-3830-0334-201)	1	
-7	472-822	B	* LIGHT ASSEMBLY - Amber (1343830-0333-201)	1	
-8	472-824	B	* LIGHT ASSEMBLY - Clear (134-3830-0337-201)	1	
-9	453-695	B	* BULB - 328	3	
-10	99401-000	B	PANEL ASSEMBLY - Marker beacon lights	1	
			<p>A - Used on PA-28-150, PA-28-160 and PA-28-180 with serial numbers 28-1761 to 28-7405290 inclusive, PA-28-140 with serial numbers 28-25000 to 28-7425454 inclusive, PA-28-235 with serial numbers 28-10487 to 28-7410120 inclusive, PA-28R-180 with serial numbers 28R-30005 to 28R-30481 inclusive, 28R-30483 to 28R-7130019 inclusive, and PA-28R-200 with serial numbers 28R-30482, 28R-35001 to 28R-7435331 inclusive.</p> <p>B - Used on PA-28-140 with serial numbers 28-7125001 to 28-7425454 inclusive, PA-28-180 with serial numbers 28-7105001 to 28-7405290 inclusive, PA-28-235 with serial numbers 28-7110001 to 28-7410120 inclusive, PA-28R-180 with serial numbers 28R-7130001 to 28R-7130019 inclusive, and PA-28R-200 with serial numbers 28R-7135001 to 28R-7435331 inclusive.</p> <p>C - Used if VOA-40M or VOA-50M Omni Converter, which incorporates indicator lights, is installed.</p> <p>D - Used on PA-28-140 with serial numbers 28-26401 to 28-26956 inclusive, PA-28-180 with serial numbers 28-5601 to 28-5869 inclusive, PA-28-235 with serial numbers 28-11301 to 28-11393 inclusive, PA-28R-180 with serial numbers 28R-31251 to 28R-31279 inclusive, and PA-28R-200 with serial numbers 28R-35601 to 28R-35830 inclusive.</p> <p>E - Used on PA-28-140 with serial numbers 28-7125001 to 28-7425454 inclusive, PA-28-180 with serial numbers 28-7105001 to 28-7405290 inclusive, PA-28-235 with serial numbers 28-7110001 to 28-7410120 inclusive, PA-28R-180 with serial numbers 28R-7130001 to 28R-7130019 inclusive, and PA-28R-200 with serial numbers 28R-7135001 to 28R-7435331 inclusive.</p> <p>F - Used on PA-28-140 with serial numbers 28-25000 to 28-7425454 inclusive, PA-28-180 with serial numbers 28-5228 to 28-7405290 inclusive, PA-28-235 with serial numbers 28-11301 to 28-7410120 inclusive, PA-28R-180 with serial numbers 28R-31121 to 28R-7130019 inclusive, and PA-28R-200 with serial numbers 28R-30482, 28R-35001 to 28R-7435331 inclusive.</p> <p>G - Used on PA-28-180 with Serial numbers 28-4378 to 28-5227 inclusive, PA-28- 235 with serial numbers 28-11040 to 28-11300 inclusive, and PA-28R-180 with serial numbers 28R-30005 to 28R-30481 inclusive, 28R-30483 to 28R-31120 inclusive.</p>		

When ordering, always specify Part Number, Description, and Serial Number of Aircraft

PIPER PARTS CATALOG

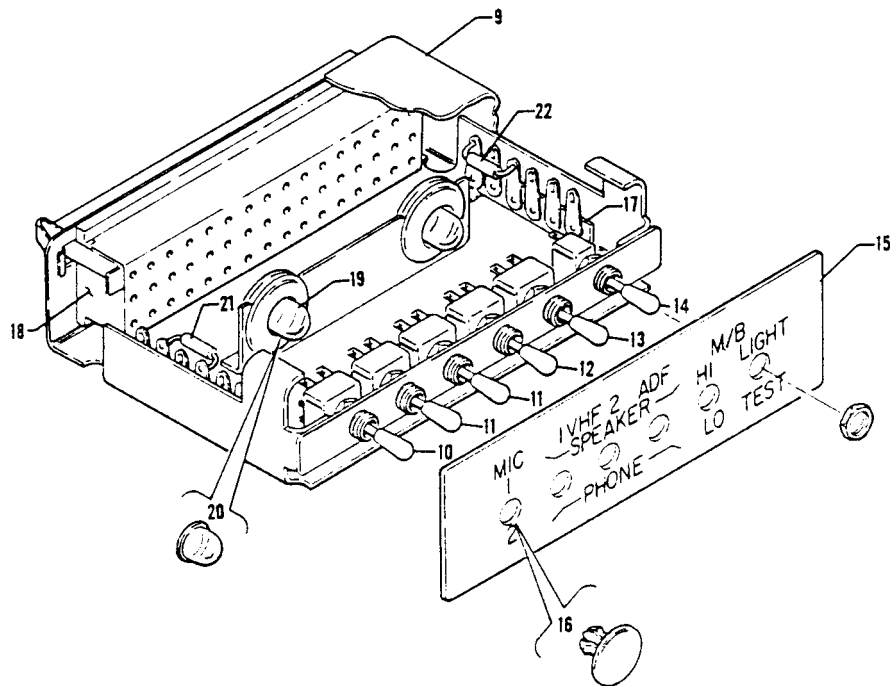
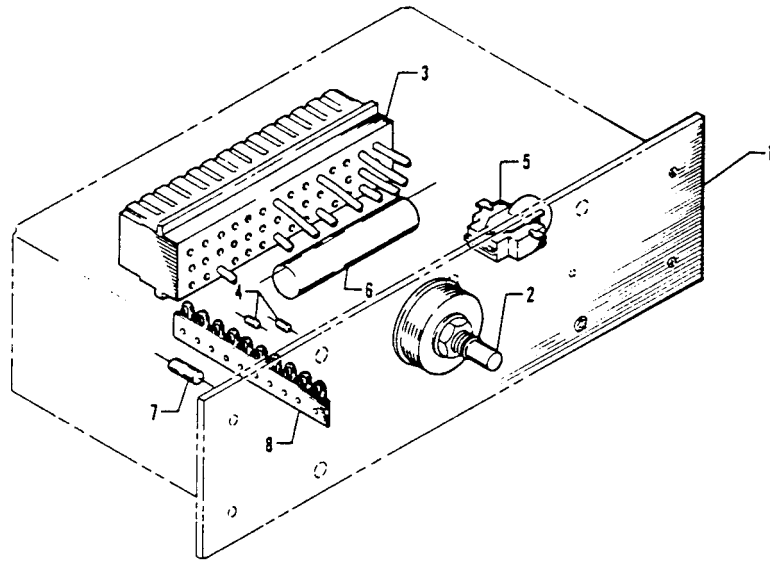


Figure 95. Radio Junction Boxes
 (PA-28-140 - Serial Nos. 28-25000 and up)
 (PA-28-180 - Serial Nos. 28-4378 and up)
 (PA-28-235 - Serial Nos. 28-11040 and up)
 (PA-28R-180 - Serial Nos. 28R-30005 to 28R-30481 inclusive, 28R-30483 and up)
 (PA-28R-200 - Serial Nos. 28R-30482, 28R-35001 and up)

PA-28-140
 PA-28-180
 PA-28-235
 PA-28R-180
 PA-28R-200

THIS PAGE INTENTIONALLY LEFT BLANK

PIPER PARTS CATALOG

Figure and Index Number	Part Number	Code	NOMENCLATURE	No. Req.	SERIAL NUMBERS AFFECTED
95 -1	68941-000	B,D	BOX ASSEMBLY - Radio junction (complete)	1	
	68876-000	C,D	SELECTOR ASSEMBLY -Transmitter	1	
-2	68926-000	C,D	* SWITCH - Transmitter selector	1	
-3	484-303	D	* RECEPTACLE - (R-42)	1	
-4	456-703	B,D	* DIODE - (1N2071)	1	
	456-703	C,D	* DIODE - (1N2071)	2	
-5	484-375	D	* RELAY - (11F-2300G-SIL)	1	
-6	484-416	D	* RESISTOR - (FZ4-7)	1	
-7	484-436	D	* RESISTOR - (470 ohm, 1/4 watt)	1	
-8	488-485	D	* STRIP - Terminal (1070)	1	
-9	99395-000	E,H	AUDIO SELECTOR ASSEMBLY	1	
	99395-002	F,H	AUDIO SELECTOR ASSEMBLY	1	
	99395-003	G,H	AUDIO SELECTOR ASSEMBLY	1	
-10	587-807	H	* SWITCH - Microphone (JMT-223)	1	
-11	587-808	H	* SWITCH - VHF (JMT-221)	2	
-12	587-808	H	* SWITCH - ADF (JMT-221)	1	
-13	587-808	H	* SWITCH - Marker beacon, Hi/Lo (JMT-221)	1	
-14	587-809	H	* SWITCH - Marker beacon, Light Test (JMT-126)	1	
-15	99344-000	H	* PLATE - Selector face	1	
-16	453-855	H	* BUTTON - Plug (207-170201-00)	2	
-17	588-356	H	* STRIP - Terminal (1076)	2	
-18	484-234	H	* RECEPTACLE - (1055R48)	1	
-19	472-056	H	* BULB - (GE 53)	2	
-20	460-602	H	* FILTER - Lunar white (1813-26)	2	
-21	456-703	H	* DIODE - (1N2071)	3	
-22	484-461	H	* RESISTOR - (242E3R05)	1	
<p>A - Used on PA-28-180 with serial numbers 28-4378 and up, PA-28-235 with serial numbers 28-11040 and up, PA-28-140 with serial numbers 28-25000 and up, PA-28R-180 and PA-28R-200.</p> <p>B - Used if single radio is installed.</p> <p>C - Used if dual radios are installed.</p> <p>D - Used on PA-28-180 with serial numbers 28-4378 to 28-5869 inclusive, PA-28R-180 with serial numbers 28R-30005 to 28R-30481 inclusive, 28R-30483 to 28R-31279 inclusive, PA-28-235 with serial numbers 28-11040 to 28-11393 inclusive, PA-28-140 with serial numbers 28-25000 to 28-26956 inclusive, and PA-28R-200 with serial numbers 28R-30482, 28R-35001 to 28R-35830 inclusive.</p> <p>E With single VHF switch, ADF switch and marker beacon switches.</p> <p>F - With microphone switch, dual VHF switches and ADF switches.</p> <p>G - With microphone switch, dual VHF switches, ADF switch and marker beacon switches.</p> <p>H - Used on PA-28-180 with serial numbers 28-7105001 and up, PA-28R-180 with serial numbers 28R-7130001 and up, PA-28-235 with serial numbers 28-7110001 and up, PA-28-140 with serial numbers 28-7125001 and up and PA-28R-200 with serial numbers 28R-7135001 and up.</p>					

When ordering, always specify Part Number, Description, and Serial Number of Aircraft

PA-28-140
PA-28-180
PA-28-235
PA-28R-180
PA-28R-200

THIS PAGE INTENTIONALLY LEFT BLANK

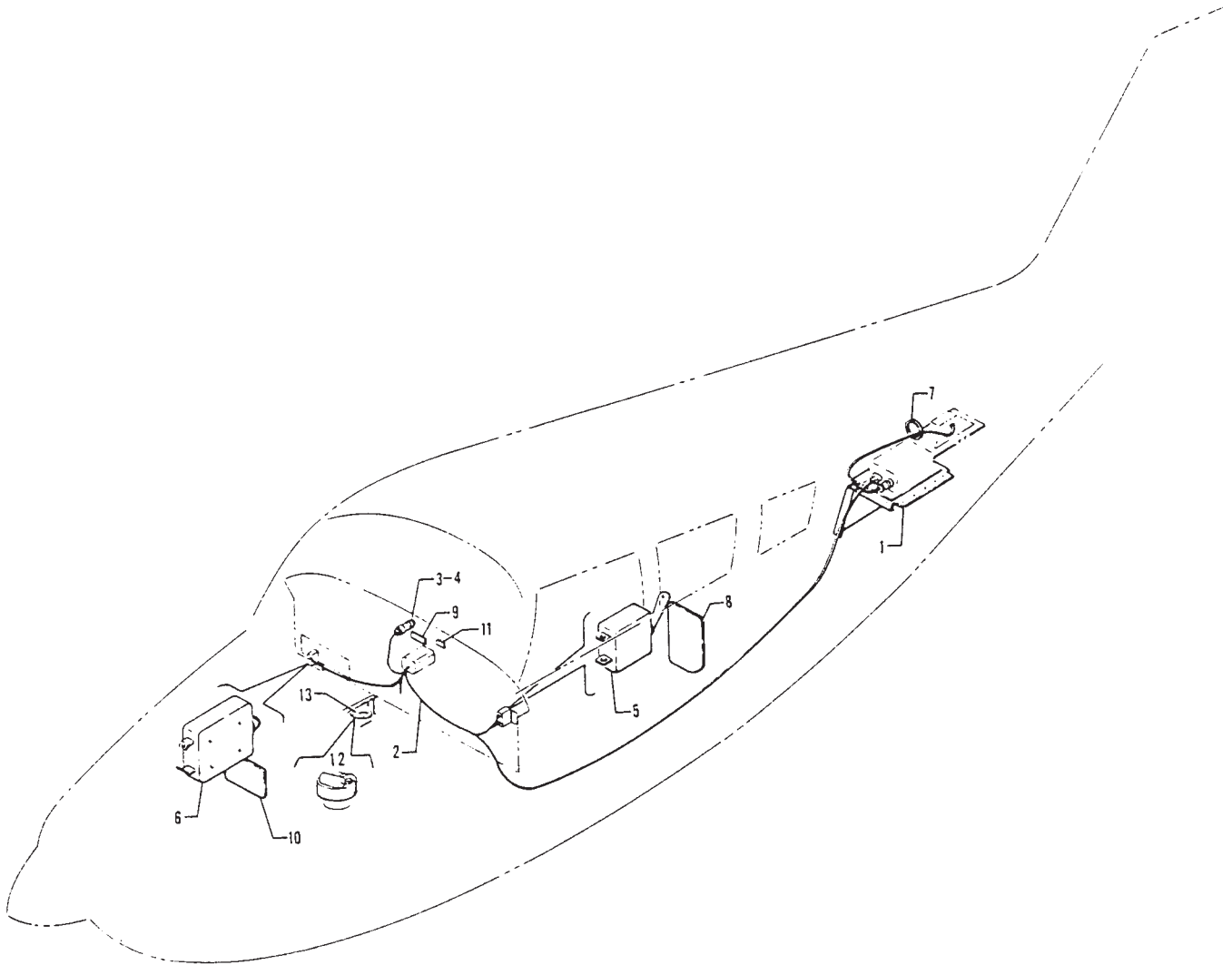


Figure 96. Radar Altimeter Installation

THIS PAGE INTENTIONALLY LEFT BLANK

PIPER PARTS CATALOG

Figure and Index Number	Part Number	Code	NOMENCLATURE	No. Req.	SERIAL NUMBERS AFFECTED
96	37693		DRAWING - Radar Altimeter Installation		
-1	37693-004		SUPPORT - Radar altimeter transmitter	1	
-2	37694-002		HARNES ASSEMBLY - Radar altimeter	1	
-3	761-198		* LAMP ASSEMBLY - (136-0020-00)	1	
-4	472-054		* LAMP	1	
-5	587-923		* SWITCH	1	
-6	454-706		CIRCUIT BREAKER	1	
-7	63186-012		MOULDING	1	
-8	69669-097		PLACARD - Radar altimeter on-off	1	
-9	69669-096		PLACARD - Radar altimeter off for take-off	1	
-10	69669-096		PLACARD - Radar altimeter	1	
-11	69669-114	A	PLACARD - Warning	1	28R-7635001 and up
-12	565-566		HORN - Warning	1	
-13	35672-002		BRACKET - Horn mounting	1	
			A - Used if air conditioning is installed.		

When ordering, always specify Part Number, Description, and Serial Number of Aircraft

THIS PAGE INTENTIONALLY LEFT BLANK

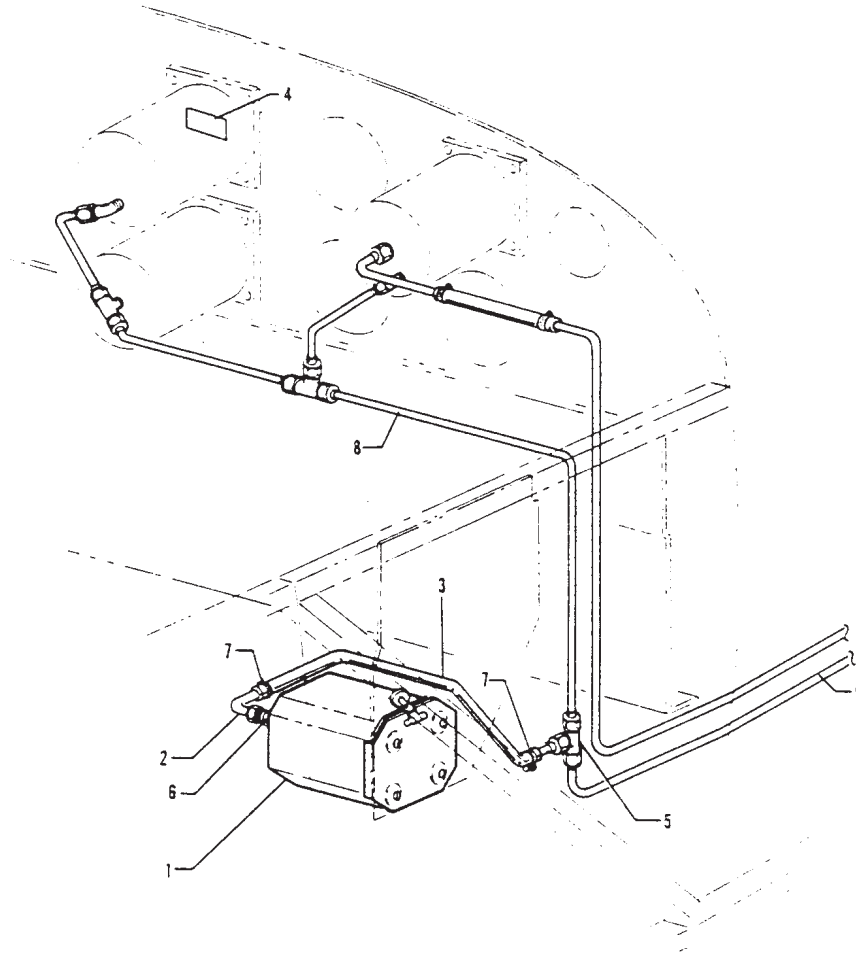


Figure 97. Encoder Installation (Narco AR-500)
(PA-28-140 - Serial Nos. 28-7725001 and up)
(PA-28-235 - Serial Nos. 28-7710001 and up)

THIS PAGE INTENTIONALLY LEFT BLANK

PIPER PARTS CATALOG

Figure and Index Number	Part Number	Code	NOMENCLATURE	No. Req.	SERIAL NUMBERS AFFECTED
97-	79658		DRAWING - Encoder Installation (Narco AR-500)		
-1	596-605		ALTITUDE REPORTER - Narco AR-500	1	
-2	63211-000		TUBE ASSEMBLY - Encoder	1	
-3	63913-122		HOSE - Static	1	
-4	35669-154		PLACARD - Altitude reporter installed	1	
-5	68193-007		TEE ASSEMBLY - Static	1	
-6	476-647		UNION - (AN816-3D)	1	
-7	554-861		CLAMP - (SAE TY F4)	4	
-8	63913-068		HOSE - Static	1	
-9	63913-122	C	HOSE - Static	1	
	63913-037	B	HOSE - Static	1	
<p>A - Used on PA-28-140 with serial numbers 28-7725001 and up, and PA-28-235 with serial numbers 28-7710001 and up.</p> <p>B - Used on PA-28-140 airplanes only.</p> <p>C - Used on PA-28-235 airplanes only.</p>					

When ordering, always specify Part Number, Description, and Serial Number of Aircraft

THIS PAGE INTENTIONALLY LEFT BLANK

PIPER PARTS CATALOG

Figure and Index Number	Part Number	Code	NOMENCLATURE	No. Req.	SERIAL NUMBERS AFFECTED
	63973		DRAWING - Radio Installation, Narco VHT-3 Superhomer		28-1 to 28-1410 inclusive
	63974	A	DRAWING - Radio Installation, Narco VTR-2A Omnigator		
	63992	A	DRAWING - Radio Installation, King KX150		
	62894	B	DRAWING - Radio Installation, King KX150A		28-20002 to 28-24999 incl.
	63487	C	DRAWING - Radio Installation, King KX150A		
	65641	D	DRAWING - Radio Installation, King KX150		
	62175	B	DRAWING - Radio Installation, Narco Mark 12		28-20002 to 28-24999 incl.
	62175	E,F	DRAWING - Radio Installation, Narco Mark 12		
	62249	G	DRAWING - Radio Installation, Narco Mark 12		
	63389	C	DRAWING - Radio installation, Narco Mark 12		
	65713	D	DRAWING - Radio Installation, Narco Mark 12		
	65621	D	DRAWING - Radio Installation, Dual Narco Mark 12		
	62187	E	DRAWING - Radio Installation, Narco ADF-30		
	62926	B	DRAWING - Radio Installation, Narco ADF-30		28-20002 to 28-24999 incl.
	63387	C	DRAWING - Radio Installation, Narco ADF-30		
	63532	C	DRAWING - Radio Installation, Bendix ADF-T-12B		
	65710	D	DRAWING - Radio Installation, Bendix ADF-T-12		
	65794	B	DRAWING - Radio Installation, Bendix ADF-T-12		28-20002 to 28-24999 incl.
	63784	A,C	DRAWING - Radio Installation, Narco ADF-31		
	65711	D	DRAWING - Radio Installation, Narco ADF-31		
	65602	B	DRAWING - Radio Installation, Narco ADF-31		
	65684	B	DRAWING - Radio Installation, Narco Mark III		28-20002 to 28-24999 incl.
	65752	D	DRAWING - Radio Installation, Narco Mark III		
	63535	C,D	DRAWING - DME Installation, Narco UD1-3		
	65622	D	DRAWING - Glide Slope, Narco UGR-1A		
	63242	C	DRAWING - Radio System Installation		
	65714	D	DRAWING - Radio System Installation		
			A - Used on PA-28-150, PA-28-160 and PA-28-180 with serial numbers 28-1 to 28-1760 inclusive, and PA-28-235 with serial numbers 28-10003 to 28-10486 inclusive.		
			B - Used on PA-28-140 airplanes only.		
			C - Used on PA-28-150, PA-28-160 and PA-28-180 with serial numbers 28-1761 to 28-3377 inclusive, and PA-28-235 with serial numbers 28-10487 to 28-10719 inclusive.		
			D - Used on PA-28-150, PA-28-160 and PA-28-180 with serial numbers 28-3378 to 28-4377 inclusive, and PA-28-235 with serial numbers 28-10720 to 28-11039 inclusive.		
			E - Used on PA-28-150, PA-28-160 and PA-28-180 with serial numbers 28-1411 to 28-1760 inclusive, and PA-28-235 with serial numbers 28-10003 to 28-10486 inclusive.		
			F - Used when constant speed propeller is not installed.		
			G - Used on PA-28-235 with serial numbers 28-10166 to 28-10486 inclusive if constant speed propeller is installed.		

When ordering, always specify Part Number, Description, and Serial Number of Aircraft

PIPER PARTS CATALOG

Figure and Index Number	Part Number	Code	NOMENCLATURE	No. Req.	SERIAL NUMBERS AFFECTED
	67451	C,E	DRAWING - Radio Installation, Narco Mark III and VIII		
	67452	D	DRAWING - Radio Installation, Narco UD1-4 DME		
	99666	G	DRAWING - Radio Installation, King KN60C DME		
	79628	H	DRAWING - Radio Installation, King KN61 DME		
	67453	A	DRAWING - Receiver Installation, Narco UGR-2 Glide Slope		
	67456	D	DRAWING - Radio Installation, Narco ADF-31		
	67457	D	DRAWING - Radio Installation, Bendix ADF-T-12		
	67458	C	DRAWING - Radio Installation, Narco Mark 12 and 16		
	66737	E	DRAWING - Radio Installation, Narco Mark 12 and 16		
	99459	F	DRAWING - Radio installation, Narco Mark 12 and 16		
	66739	B	DRAWING - Receiver installation, Narco UGR-2 Glide Slope		
	99404	F	DRAWING - Transponder Installation, Narco AT6-A or AT5-A		
			<p>A - Used on PA-28-180 with serial numbers 28-4378 to 28-7505261 inclusive, PA-28-235 with serial numbers 28-11040 to 28-7510145 inclusive, PA-28R-180, and PA-28R-200 with serial numbers 28R-30482, 28R-35001 to 28R-7535393 inclusive.</p> <p>B - Used on PA-28-140 with serial numbers 28-25000 to 28-7525350 inclusive.</p> <p>C - Used on PA-28-180 with serial numbers 28-4378 to 28-5869 inclusive, PA-28-235 with serial numbers 28-11040 to 28-11393 inclusive, PA-28R-180 with serial numbers 28R-30005 to 28R-30481, 28R-30483 to 28R-31279 inclusive, and PA-28R-200 with serial numbers 28R-30482, 28R-35001 to 28R-35830 inclusive.</p> <p>D - Used on PA-28-140 with serial numbers 28-25000 to 28-7425454 inclusive, PA-28-180 with serial numbers 28-4378 to 28-7405290 inclusive, PA-28-235 with serial numbers 28-11040 to 28-7410120 inclusive, PA-28R-180 with serial numbers 28R-30005 to 28R-7130019 inclusive, and PA-28R-200 with serial numbers 28R-30482, 28R-35001 to 28R-7435331 inclusive.</p> <p>E - Used on PA-28-140 with serial numbers 28-25000 to 28-26956 inclusive.</p> <p>F - Used on PA-28-140 with serial numbers 28-7125001 to 28-7425464 inclusive, PA-28-180 with serial numbers 28-7105001 to 28-7405290 inclusive, PA-28-235 with serial numbers 28-7110001 to 28-7410120 inclusive, PA-28R-180 with serial numbers 28R-7130001 to 28R-7130019 inclusive, and PA-28R-200 with serial numbers 28R-7135001 to 28R-7435331 inclusive.</p> <p>G - Used on PA-28-140 with serial numbers 28-7225001 to 28-7525350 inclusive, PA-28-180 with serial numbers 28-7205001 to 28-7505261 inclusive, PA-28-235 with serial numbers 28-7210001 to 28-7510145 inclusive, and PA-28R-200 with serial numbers 28R-7235001 to 28R-7535393 inclusive.</p> <p>H - Used on PA-28-140 with serial numbers 28-7625001 and up, PA-28-235 with serial numbers 28-7610001 and up, and PA-28R-200 with serial numbers 28R-7635001 and up.</p>		

When ordering, always specify Part Number, Description, and Serial Number of Aircraft

PIPER PARTS CATALOG

Figure and Index Number	Part Number	Code	NOMENCLATURE	No. Req.	SERIAL NUMBERS AFFECTED
	99665	D,K	DRAWING - Transponder Installation, IFD Starlight		
	99840	A,K	DRAWING - Transponder Installation, Narco AT50		
	99989	B	DRAWING - Transponder Installation, AT50/AT50A/AT150		
	99846	C	DRAWING - Transponder Installation, IFD Skyline 300		
	69657	G	DRAWING - Transponder Installation, King KT76 or KT78		
	99608	H,J	DRAWING - Radio installation, King KX-170		
	99844	E	DRAWING - Radio Installation, King KR-85		
	99837	F	DRAWING - Radio Installation, King KX-170A		
			<p>A - Used on PA-28-140 with serial numbers 28-7225001 to 28-7225503 inclusive, PA-28-180 with serial numbers 28-7205001 to 28-7205294 inclusive, PA-28-235 with serial numbers 28-7210001 to 28-7310001 inclusive, and PA-28R-200 with serial numbers 28R-7235001 to 28R-7235282 inclusive.</p> <p>B - Used on PA-28-140 with serial numbers 28-7225504 and up, PA-28-180 with serial numbers 28-7205295 and up, PA-28-235 with serial numbers 28-7310002 and up and PA-28R-200 with serial numbers 28R-7235283 and up.</p> <p>C - Used on PA-28-140 with serial numbers 28-7225231 to 28-7425454 inclusive, PA-28-180 with serial numbers 28-7205201 to 28-7405290 inclusive, PA-28-235 with serial numbers 28-7210015 to 28-7410120 inclusive, and PA-28R-200 with serial numbers 28R-7235124 to 28R-7435331 inclusive.</p> <p>D - Used on PA-28-140 with serial numbers 28-7225001 to 28-7425454 inclusive, PA-28-180 with serial numbers 28-7205001 to 28-7405290 inclusive, PA-28-235 with serial numbers 28-7210001 to 28-7410120 inclusive, and PA-28R-200 with serial numbers 28R-7235001 to 28R-7435331 inclusive.</p> <p>E - Used on PA-28-140 with serial numbers 28-7225187 and up, PA-28-180 with serial numbers 28-7205184 and up, PA-28-235 with serial numbers 28-7210013 and up and PA-28R-200 with serial numbers 28R-7235088 and up.</p> <p>F - Used on PA-28-140 with serial numbers 28-7225001 to 28-7225612 inclusive, PA-28-180 with serial numbers 28-7205001 to 28-7205328 inclusive, PA-28-235 with serial numbers 28-7210001 to 28-7210033 inclusive, and PA-28R-200 with serial numbers 28R-7235001 to 28R-7235330 inclusive.</p> <p>G - Used on PA-28-140 with serial numbers 28-7325001 and up, PA-28-180 with serial numbers 28-7305001 and up, PA-28-235 with serial numbers 28-7310001 and up, and PA-28R-200 with serial numbers 28R-7335001 and up.</p> <p>H - Used on PA-28-180 with serial numbers 28-7105001 to 28-7405290 inclusive, PA-28-235 with serial numbers 28-7110001 to 28-7410120 inclusive, PA-28R-180 with serial numbers 28R-7130001 and up, and PA-28R-200 with serial numbers 28R-7135001 to 28R-7435331 inclusive.</p> <p>J - Used on PA-28-140 with serial numbers 28-7125001 to 28-7425454 inclusive.</p> <p>K - Reference latest revision of Piper Service Bulletin 368 for Transponder Antenna Protector Installation using Kit 760-697 for PA-28/28R aircraft with factory installed IFD Starlight or Narco AT-50 transponders.</p>		

When ordering, always specify Part Number, Description, and Serial Number of Aircraft

PIPER PARTS CATALOG

Figure and Index Number	Part Number	Code	NOMENCLATURE	No. Req.	SERIAL NUMBERS AFFECTED
	79000	C	DRAWING - Radio Installation, King KX-170B or KX-175B		
	99824	B	DRAWING - Radio Installation, Narco COM-NAV 10/11 or 12		
	79307	A	DRAWING - Radio Installation, Narco COM 10/10, 11/111, NAV 10/110, 10/110, 11/111 or 12/112		
	79299	A	DRAWING - Narco CP 258/125 and MET-12-R Audio and Marker, Beacon Installation		
	79028	D	DRAWING - Radio Installation, King KX-175B with KN-73, KN-77 and KNI-520		
	79074	E	DRAWING - Dual ADF Installation, King KR-85, KR-86		
	79051	E	DRAWING - Single ADF Installation, King KR-86		
	79053	E	DRAWING - DME Installation, King KN-65/65A		
	79490	E	DRAWING - Single ADF Installation, Narco ADF-140		
	79493	E,H	DRAWING - Dual ADF Installation, Narco ADF-140/141		
	79491	E	DRAWING - DME Installation, Narco DME-190/190 TSO		
	79001	E	DRAWING - King KMA-20 Audio and Marker Beacon System Installation		
	76478	F	DRAWING - King KX-170B/B(E) COMM, Glideslope and NSD-360 Radio installation		28R-7635001 and up
	76488	F	DRAWING - Narco NAV 14/114 OC110 NSD-360 Radio Installation		28R-7635001 and up
	79068	E	DRAWING - King KN-74 Area NAV System Installation		28R-7635001 and up
	79663	G	DRAWING - Collins COM/NAV/GS Radio Installation		
	79662	G	DRAWING - Collins RCR-650 ADF Radio Installation		
	79669	G	DRAWING - Narco DME-195 Radio Installation		
	79660	G	DRAWING - Collins TDR-950 Transponder Installation		
	69982		DRAWING - King Single ADF/HF Compatibility Installation		
			<p>A - Used on PA-28-140 with serial numbers 28-7425001 and up, PA-28-180 with serial numbers 28-7405001 and up, PA-28-235 with serial numbers 28-7410001 and up, and PA-28R-200 with serial numbers 28R-7435001 and up.</p> <p>B - Used on PA-28-140 with serial numbers 28-7225001 to 28-7325684 inclusive, PA-28-180 with serial numbers 28-7205001 to 28-7305611 inclusive, PA-28-235 with serial numbers 28-7210001 to 28-7310187 inclusive, and PA-28R-200 with serial numbers 28R-7235001 to 28R-7335455 inclusive.</p> <p>C - Used on PA-28-140 with serial numbers 28-7325001 and up, PA-28-180 with serial numbers 28-7305001 and up, PA-28-235 with serial numbers 28-7310001 and up, and PA-28R-200 with serial numbers 28R-7335001 and up.</p> <p>D - Used on PA-28-140 with serial numbers 28-7324397 and up, PA-28-180 with serial numbers 28-7305382 and up, PA-28-235 with serial numbers 28-7310139 and up, and PA-28R-200 with serial numbers 28R-7335232 and up.</p> <p>E - Used on PA-28-140 with serial numbers 28-7525001 and up, PA-28-180 with serial numbers 28-7505001 and up, PA-28-235 with serial numbers 28-7510001 and up, and PA-28R-200 with serial numbers 28R-7535001 and up.</p> <p>F - Used on PA-28R-200 airplanes only.</p> <p>G - Used on PA-28-140 with serial numbers 28-7725001 and up, and PA-28-235 with serial numbers 28-7710001 and up.</p> <p>H - Reference latest revision of Piper Service Letter 800 on performance refinement of NARCO ADF-140 installation.</p>		

When ordering, always specify Part Number, Description, and Serial Number of Aircraft

SECTION 11

MISCELLANEOUS GROUP

THIS PAGE INTENTIONALLY LEFT BLANK

PIPER PARTS CATALOG

Figure and Index Number	Part Number	Code	NOMENCLATURE	No. Req.	SERIAL NUMBERS AFFECTED
			OPTIONAL EQUIPMENT KITS		
	754-431		CABIN EXHAUST VENT		
	754-497	A	WHEEL FAIRING INSTALLATION - 150 & 160		28-1 to 28-400 inclusive
	754-498	A	WHEEL FAIRING INSTALLATION - 150 & 160		28-1 to 28-670 inclusive
	756-790	E,H	WHEEL FAIRING INSTALLATION - 140 - 150 - 160		28-671 to 28-1529 inclusive
	754-464	G	SUN VISOR INSTALLATION - Gray		
	757-090	C,D	VACUUM PUMP INSTALLATION - (Less Pump 481-753 and Drive Kit)		
	757-138	F	VACUUM PUMP INSTALLATION - (Less Pump 481-753 and Drive Kit)		
	760-287	B,D	VACUUM PUMP INSTALLATION - (Less Pump 481-753 and Drive Kit)		
			<p>A - Less Fairings 63377-00, 63374-00 and 63374-01.</p> <p>B - Used on PA-28-140 with serial numbers 28-25000 to 28-7425454 inclusive, PA-28-180 with serial numbers 28-5122, 28-5130 to 28-5179 inclusive, 28-5228 to 28-7405290 inclusive, PA-28R-180 with serial numbers 28R-30879 to 28R-7130019 inclusive, PA-28R-200 with serial numbers 28R-30482, 28R-35001 to 28R-7435331 inclusive, and PA-28-235 with serial numbers 28-11040 to 28-7410120 inclusive.</p> <p>C - Used on PA-28-150, PA-28-160 and PA-28-180 with serial numbers 28-1 to 28-4377 inclusive, PA-28-140 with serial numbers 28-20002 to 28-24999 inclusive, and PA-28-235 with serial numbers 28-10003 to 28-11039 inclusive.</p> <p>D - Vacuum Pump Drive Kit 450-380 is required for PA-28-140, PA-28-150, PA-28-160, PA-28-180, PA-28R-180 and PA-28R-200. Vacuum Pump Drive Kit 754-575 is required for PA-28-235.</p> <p>E - Less Fairings 65331-000, 65203-002 and 65203-003.</p> <p>F - Used on PA-28-180 with serial numbers 28-4378 to 28-5121 inclusive, 28-5123 to 28-5129 inclusive, 28-5180 to 28-5227 inclusive, and PA-28R-180 with serial numbers 28R-30005 to 28R-30481 inclusive, 28R-30483 to 28R-30878 inclusive.</p> <p>G - Used on PA-28-140 with serial numbers 28-20002 to 28-21467 inclusive, PA-28-150, PA-28-160 and PA-28-180 with serial numbers 28-1 to 28-2477 inclusive, and PA-28-235 with serial numbers 28-10003 to 28-10719 inclusive.</p> <p>H - Used on PA-28-140 with serial numbers 28-20002 to 28-26799 inclusive, and PA-28-150 and PA-28-160 with serial numbers 28-1 to 28-4377 inclusive.</p>		

When ordering, always specify Part Number, Description, and Serial Number of Aircraft

PIPER PARTS CATALOG

Figure and Index Number	Part Number	Code	NOMENCLATURE	No. Req.	SERIAL NUMBERS AFFECTED
			OPTIONAL EQUIPMENT KITS (cont.)		
	754-401	E	NIGHT FLYING LIGHTS - (Less rotating beacon 452-465)		
	757-141	G	NIGHT FLYING LIGHTS - (Less rotating beacon 452-465)		
	756-746	D	FLOAT INSTALLATION - (EDO Model 89-2000 Floats) - 180		
	761-090	F,L	AUXILIARY POWER RECEPTACLE INSTALLATION		
	761-089	F,H	AUXILIARY POWER RECEPTACLE INSTALLATION		
	761-088	F	AUXILIARY POWER RECEPTACLE INSTALLATION - 140		
	756-783	J,K	CONSTANT SPEED PROPELLER INSTALLATION - 235		28-10166 to 28-11039 incl.
	760-209	J	CONSTANT SPEED PROPELLER INSTALLATION - 235		28-11040 to 28-7210033 incl.
	756-785	A,B	STEP INSTALLATION		
	756-893	A,C	STEP INSTALLATION		
			<p>A - Less Step Assembly 65384-000.</p> <p>B - Used on PA-28-150, PA-28-160 and PA-28-180 with serial numbers 28-1 to 28-1520 inclusive, and PA-28-235 with serial numbers 28-10002 to 28-10232 inclusive.</p> <p>C - Used on PA-28-150, PA-28-160 and PA-28-180 with serial numbers 28-1521 to 28-1760 inclusive, PA-28-140 with serial numbers 28-20002 to 28-20300 inclusive, and PA-28-235 with serial numbers 28-10233 to 28-10486 inclusive.</p> <p>D - Less Propeller, Piper Part No. 450-968 (McCauley Part No. (A200/FA8248) for PA-28S-180 with serial numbers 28S-671 to 28S-1760 inclusive, and Piper Part Number 450-963 (McCauley Part Number IA200/DF8248). For PA-28S-180 with serial numbers 28S-1761 to 28S-7205328 inclusive, and Floats.</p> <p>E - Used on PA-28-140 with serial numbers 28-20002 to 28-24999 inclusive, PA-28-150, PA-28-160 and PA-28-180 with serial numbers 28-1 to 28-4377 inclusive, and PA-28-235 with serial numbers 28-10003 to 28-11039 inclusive.</p> <p>F - Less External Power Connector Plug Assembly, Part Number 62355-002.</p> <p>G - Used on PA-28-140 with serial numbers 28-25000 to 28-7425454 inclusive, PA-28-180 with serial numbers 28-4378 to 28-7405290 inclusive, PA-28-235 with serial numbers 28-11040 to 28-7410120 inclusive, PA-28R-180 with serial numbers 28R-30005 to 28R-7130019 inclusive, and PA-28R-200 with serial numbers 28R-35001 to 28R-7435331 inclusive.</p> <p>H - Used on PA-28-180 with serial numbers 28-4378 to 28-7507259 inclusive, PA-28-235 with serial numbers 28-10720 and up, PA-28R-200 with serial numbers 28R-35001 and up and PA-28R-180.</p> <p>J - Less Propeller Piper Part Number 550-938 and Governor Piper Part Numbers 66634-002 and 66634-010.</p> <p>K - Four sets of Engine Shock Mounts 475-114 are required and must be ordered separately when ordering kit for serial numbers 28-10166 to 28-10261 inclusive, 28-10263, 28-10264 and 28-10265.</p> <p>L - Used on PA-28-150, PA-28-160 and PA-28-180 with serial numbers 28-1 to 28-4377 inclusive, and PA-28-235 with serial numbers 28-10003 to 28-10719 inclusive.</p>		

When ordering, always specify Part Number, Description, and Serial Number of Aircraft

PIPER PARTS CATALOG

Figure and Index Number	Part Number	Code	NOMENCLATURE	No. Req.	SERIAL NUMBERS AFFECTED
			OPTIONAL EQUIPMENT KITS (cont.)		
	756-810		NAV-TIMER INSTALLATION - 180 & 235		
	756-825		NAV-TIMER INSTALLATION - 140 - 150 - 160		
	756-897	D	SINGLE TOE BRAKE INSTALLATION		
	756-898	E	SINGLE TO DUAL TOE BRAKE INSTALLATION		
	756-899	G	DUAL TOE BRAKE INSTALLATION		
	756-962	C,F	FAMILY SEAT INSTALLATION - 140		28-20002 to 28-20939 incl.
	756-941	F	FAMILY SEAT INSTALLATION - 140		28-20940 and up
	760-365	A,B	INERTIA SAFETY SHOULDER BELT INSTALLATION - Black		
	763-966	K	SHOULDER HARNESS INSTALLATION - Passenger seats		
	763-967	J	SHOULDER HARNESS INSTALLATION - Passenger seats		28-7225001 and up
	760-284	H	HAT SHELF BULKHEAD INSTALLATION - 140		
			<p>A - Used on PA-28-140 with serial numbers 28-20001 to 28-7125651 inclusive, PA-28-150, PA-28-160 and PA-28-180 with serial numbers 28-2478 to 28-7105244 inclusive, PA-28-235 with serial numbers 28-10676 to 28-7110042 inclusive, PA-28R-180 with serial numbers 28R-30005 to 28R-7130019 inclusive, and PA-28R-200 with serial numbers 28R-30482, 28R-35001 to 28R-7135238 inclusive.</p> <p>B - Less reel covers; see Seat Installation, Figure 28 or 28A, to order reel covers required.</p> <p>C - Propeller, Part No, 460-944 (58" Pitch), is required for serial numbers 28-20002 to 28-20939 inclusive, and Floor and Carpet Assembly 65512-000 (Brown) or 65512-004 (Gray) is required for serial numbers 28-20002 to 28-20909 inclusive, and must be ordered separately.</p> <p>D - Used on PA-28-140 with serial numbers 28-20521 and up, PA-28-150, PA-28-160 and PA-28-180 with serial numbers 28-1761 and up.</p> <p>E - Used on PA-28-140 with serial numbers 28-20521 and up, PA-28-150, PA-28-160 and PA-28-180 with serial numbers 28-1761 and up, PA-28-235 with serial numbers 28-10487 and up, and PA-28R-180 and PA-28R-200 airplanes.</p> <p>F - Less seats and seat belts. See rear seat installation, Figure 29 for these items.</p> <p>G - Used on PA-28-140 with serial numbers 28-20521 and up, PA-28-150, PA-28-160 and PA-28-180 with serial numbers 28-1761 and up, and PA-28-235 with serial numbers 28-10487 and up.</p> <p>H - Family Seat installation Kit 756-962 and Propeller, Part Number 450-944, are required on aircraft with serial numbers 28-20001 to 28-20939 inclusive if not previously installed.</p> <p>J - Used on PA-28-140 airplanes only.</p> <p>K - Used on PA-28-180 with serial numbers 28-7205001 and up, PA-28-235 with serial numbers 28-7210001 and up, and PA-28R-200 with serial numbers 28R-7235001 and up.</p>		

When ordering, always specify Part Number, Description, and Serial Number of Aircraft

PIPER PARTS CATALOG

Figure and Index Number	Part Number	Code	NOMENCLATURE	No. Req.	SERIAL NUMBERS AFFECTED
			OPTIONAL EQUIPMENT KITS (cont.)		
	760-296	G	PITOT COVER		
	760-297	H	PITOT COVER		
	757-088	A,B	AUTOCONTROL III - (3 inch gyros)		
	757-131	F	AUTOCONTROL III - (3 inch gyros)		
	761-002	D	AUTOCONTROL III B - (with radio coupler)		
	761-003	D	AUTOCONTROL III B - (without radio coupler)		
	757-042	B	RADIO COUPLER INSTALLATION		
	757-137	F	RADIO COUPLER INSTALLATION		
	760-992	E	ELECTRIC PITCH TRIM - (less trim switch)		28-7325001 and up
	760-993	C	ELECTRIC PITCH TRIM		
			<p>A - Instrument cover panel, Part Number 69060-003 required for PA-28-150, PA-28-160 and PA-28-180 with serial numbers 28-3590 to 28-4084 inclusive, and PA-28-235 with serial numbers 28-10741 to 28-10926 inclusive.</p> <p>B - Used on PA-28-150, PA-28-160 and PA-28-180 with serial numbers 28-3590 to 28-4377 inclusive, and PA-28-235 with serial numbers 28-10741 to 28-11039 inclusive.</p> <p>C - Used on PA-28-180 with serial numbers 28-4378 and up, PA-28-235 with serial numbers 28-11040 and up, PA-28R-200 with serial numbers 28R-35001 and up, and PA-28R-180.</p> <p>D - Used on PA-28-140 with serial numbers 28-7525001 and up, PA-28-180 with serial numbers 28-7505001 and up, PA-28-235 with serial numbers 28-7510001 and up, and PA-28R-200 with serial numbers 28R-7535001 and up.</p> <p>E - Used on PA-28-140 airplanes only. Order electric trim switch 67443-004 for a bowtie style control wheel, or electric trim switch 79652-003 for a ramshorn style control wheel.</p> <p>F - Used on PA-28-140 with serial numbers 28-25000 to 28-7425454 inclusive, PA-28-180 with serial numbers 28-4378 to 28-7405290 inclusive, PA-28-235 with serial numbers 28-11040 to 28-7410120 inclusive, PA-28R-180 with serial numbers 28R-30001 to 28R-7130013 inclusive, and PA-28R-200 with serial numbers 28R-35001 to 28R-7435323 inclusive.</p> <p>G - Used on PA-28R-180 and PA-28R-200 airplanes only.</p> <p>H - Used on PA-28-140 with serial numbers 28-20281 and up, PA-28-150, PA-28-160 and PA-28-180 with serial numbers 28-1761 and up, and PA-28-235 with serial numbers 28-10487 and up.</p>		

When ordering, always specify Part Number, Description, and Serial Number of Aircraft

PIPER PARTS CATALOG

Figure and Index Number	Part Number	Code	NOMENCLATURE	No. Req.	SERIAL NUMBERS AFFECTED
			OPTIONAL EQUIPMENT KITS (cont.)		
	757-027	A	AUTOFLITE - (Less AutoNav Tracker)		
	757-135	H	AUTOFLITE - (Less AutoNav Tracker)		
	757-188	E	AUTONAV TRACKER INSTALLATION		
	757-197	J	AUTONAV TRACKER INSTALLATION		
	757-198	H	AUTONAV TRACKER INSTALLATION		
	760-480	G	AUTOFLITE II - (With Tracker)		
	760-481	G	AUTOFLITE II - (Without Tracker)		
	757-004	B	HEATED PITOT STATIC SYSTEM INSTALLATION		
	757-140	D	HEATED PITOT STATIC SYSTEM INSTALLATION		
	760-198	C	HEATED PRESSURE HEAD INSTALLATION		
	760-199	F	HEATED PITOT STATIC AND HEATED PRESSURE HEAD INSTALLATION		
	88468-002	K	AIR CONDITIONING DOOR RELAY REPLACEMENT		
	88472-002	L	STALL HORN BRACKET REPLACEMENT		
			<p>A - Used on PA-28-140 with serial numbers 28-20002 to 28-24999 inclusive, PA-28-150, PA-28-160 and PA-28-180 with serial numbers 28-1231 to 28-4377 inclusive, and PA-28-235 with serial numbers 28-10003 to 28-11039 inclusive.</p> <p>B - Used on PA-28-140 with serial numbers 28-20281 to 28-24999 inclusive, PA-28-150, PA-28-160 and PA-28-180 with serial numbers 28-1761 to 28-4377 inclusive, and PA-28-235 with serial numbers 28-10487 to 28-11039 inclusive.</p> <p>C - Used on PA-28R-180 with serial numbers 28R-30005 to 28R-30481 inclusive, 28R-30483 to 28R-30878 inclusive.</p> <p>D - Used on PA-28-140 with serial numbers 28-25000 and up, PA-28-180 with serial numbers 28-4378 and up, and PA-28-235 with serial numbers 28-11040 and up.</p> <p>E - Used on PA-28-140 with serial numbers 28-20002 to 28-23746 inclusive, PA-28-150, PA-28-160 and PA-28-180 with serial numbers 28-1231 to 28-4377 inclusive, and PA-28-235 with serial numbers 28-10003 to 28-11002 inclusive.</p> <p>F - Used on PA-28R-180 and PA-28R-200 airplanes only.</p> <p>G - Used on PA-28-140 with serial numbers 28-7125001 and up, PA-28-180 with serial numbers 28-7105001 and up, PA-28-235 with serial numbers 28-7110001 and up, PA-28R-180 with serial numbers 28R-7130001 and up, and PA-28R-200 with serial numbers 28R-7135001 and up.</p> <p>H - Used on PA-28-140 with serial numbers 28-25000 to 28-26956 inclusive, PA-28-180 with serial numbers 28-4378 to 28-5869 inclusive, PA-28-235 with serial numbers 28-11040 to 28-11393 inclusive, PA-28R-180 with serial numbers 28R-30005 to 28R-30481 inclusive, 28R-30483 to 28R-31279 inclusive, and PA-28R-200 with serial numbers 28R-30482, 28R-35001 to 28R-35830 inclusive.</p> <p>J - Used on PA-28-140 with serial numbers 28-23747 to 28-24999 inclusive, and PA-28-235 with serial numbers 28-11003 to 28-11039 inclusive.</p> <p>K - Used on PA-28R-200 airplanes only.</p> <p>L - Reference Piper Service Letter 1125, latest revision.</p>		

When ordering, always specify Part Number, Description, and Serial Number of Aircraft

PIPER PARTS CATALOG

Figure and Index Number	Part Number	Code	NOMENCLATURE	No. Req.	SERIAL NUMBERS AFFECTED
			OPTIONAL EQUIPMENT KITS (cont.)		
	760-210	A,C	ALTERNATE STATIC SYSTEM INSTALLATION		
	757-163	M	PIPER MIXTURE CONTROL INDICATOR KIT		
	760-189	N	MAP CLIP INSTALLATION (Mounted on control wheel)		
	760-195	K	FUEL TANK Drain AND SAMPLER		
	760-196	L	FUEL TANK DRAIN AND SAMPLER		
	757-112	J	NITROGEN CYLINDER ASSEMBLY (with fittings)		
	760-383	G	WINTERIZATION KIT		
	760-384	H	WINTERIZATION KIT		
	760-458	J	CYLINDER HEAD TEMPERATURE GAUGE INSTALLATION		28-25000 and up
	760-459	F	CYLINDER HEAD TEMPERATURE GAUGE INSTALLATION		
	760-460	E	CYLINDER HEAD TEMPERATURE GAUGE INSTALLATION		
	760-455	D	BAGGAGE DOOR LOCK REPLACEMENT KIT (with lock)		
	760-456	B	BAGGAGE DOOR LOCK CONVERSION KIT (less lock)		
			<p>A - Used on PA-28-140 with serial numbers 28-25000 and up, PA-28-180 with serial numbers 28-4378 and up, PA-28-235 with serial numbers 28-11040 and up, PA-28R-180, and PA-28R-200.</p> <p>B - Used on PA-28-150, PA-28-160 and PA-28-180 with serial numbers 28-1715 to 28-5313 inclusive, PA-28-235 with serial numbers 28-10487 to 28-11227 inclusive, and PA-28R-180 with serial numbers 28R-30005 to 28R-30481, 28R-30483 to 28R-31092 inclusive.</p> <p>C - On the PA-28R-180 Models, it will be necessary to order and replace present unheated pitot static head with unheated head, Part Number 63477-000, for serial numbers 28R-30005 to 28R-30253 inclusive. If heated pitot static head is installed, order heated head, Part Number 69041-002, for serial numbers 28R-30005 to 28R-30253 inclusive. If heated pitot static Kit 757-140 or 760-199 has been installed it will not be necessary to secure a new heated head assembly.</p> <p>D - Used on PA-28-150, PA-28-160 and PA-28-180 with serial numbers 28-1 to 28-5313 inclusive, PA-28-235 with serial numbers 28-10003 to 28-11227 inclusive, and PA-28R-180 with serial numbers 28R-30005 to 28R-30481, 28R-30483 to 28R-31092 inclusive.</p> <p>E - Used on PA-28R-200 airplanes only.</p> <p>F - Used on PA-28-180 with serial numbers 28-4378 to 28-7505261 inclusive, PA-28-235 with serial numbers 28-11040 and up and PA-28R-180.</p> <p>G - Used on PA-28R-180 with serial numbers 28R-30005 to 28R-30481 inclusive, 28R-30483 to 28R-31266 inclusive.</p> <p>H - Used on PA-28R-200 with serial numbers 28R-30462 and 28R-35001 to 28R-35344 inclusive.</p> <p>J - Used on PA-28-140 airplanes only.</p> <p>K - Used on PA-28R-180 with serial numbers 28R-30005 to 28R-30274 inclusive, PA-28-140, PA-28-150, PA-28-160 and PA-28-180 airplanes.</p> <p>L - Used on PA-28-235 airplanes only.</p> <p>M - Used on PA-28-150, PA-28-160, PA-28-180, PA-28-235, PA-28R-180 and PA-28R-200.</p> <p>N - Used on PA-28-180 with serial numbers 28-4378 to 28-7505261 inclusive, PA-28-235 with serial numbers 28-11040 to 28-7710089 inclusive, PA-28R-180 with serial numbers 28R-30005 to 28R-7130019 inclusive and PA-28R-200 with serial numbers 28R-35001 to 28R-7635545 inclusive.</p>		

When ordering, always specify Part Number, Description, and Serial Number of Aircraft

PIPER PARTS CATALOG

Figure and Index Number	Part Number	Code	NOMENCLATURE	No. Req.	SERIAL NUMBERS AFFECTED
			OPTIONAL EQUIPMENT KITS (cont.)		
	760-537	D	FLITE LINER TO 140 CRUISER CONVERSION		
	760-542	E,C	LANDING GEAR BACK-UP ACTUATOR OVERRIDE MECHANISM		
	761-008	F	RADIO COOLING INSTALLATION KIT		
	763-828	J	ENGINE BREATHER TUBE WINTERIZATION KIT		
	763-874	G,H	VACUUM TO ELECTRIC TURN & SLIP CONVERSION		
	763-842		ELT REPLACEMENT (Garrett or Communications Components Corp. ELT to Narco ELT 10)		
	763-920	K	IMPROVED CABIN HEAT/CENTER DUCT		
	763-962		DOOR JAMB SNUBBER INSTALLATION		
	764-928	M	CONTROL ALTERNATOR REPLACEMENT		
	765-303	L	BACK UP LANDING GEAR EXTENDER REMOVAL KIT		
			REPAIR KITS		
	757-182	A	BRAKE SYSTEM O-RINGS AND SEALS		
	757-184	B	BRAKE SYSTEM O-RINGS AND SEALS		
	757-165	A	LANDING GEAR O-RINGS AND SEALS		
	757-181	B	LANDING GEAR O-RINGS AND SEALS		
	179-876		SEALANT - White window sealant cartridge		
			<p>A - Used on PA-28-140, PA-28-150, PA-28-180, and PA-28-235 airplanes.</p> <p>B - Used on PA-28R-180 and PA-28R-200 airplanes only.</p> <p>C - Less Flap Handle Cover Assembly Part Number 67917-000 Red, 67917-002 Brown, 67917-003 Black, 67917-004 Green or 67917-005 Blue/Green.</p> <p>D - Used on PA-28-140 airplanes only.</p> <p>E - Used on PA-28R-180 with serial numbers 28R-30004 to 28R-31135 inclusive, 28R-31251 to 28R-31270 inclusive, 28R-7130001 to 28R-7130057 inclusive and PA-28R-200 with serial numbers 28R-35001 to 28R-35392 inclusive, 28R-35601 to 28R-35820 inclusive, 28R-7135001 to 28R-7135232 inclusive.</p> <p>F - Used on PA-28-140 with serial numbers 28-25000 to 28-7425454 inclusive, PA-28-150, PA-28-160 and PA-28-180 with serial numbers 28-1761 to 28-7405290 inclusive, PA-28-235 with serial numbers 28-11040 to 28-7410120 inclusive, PA-28R-180, and PA-28R-200 with serial numbers 28R-35001 to 28R-7435331 inclusive.</p> <p>G - Less Turn Coordinator Instrument Part Number 548-190.</p> <p>H - Used on PA-28-150, 160 and 180 with serial numbers 28-3378 and up; PA-28-235 with serial numbers 28-10720 and up; PA-28-140 with serial numbers 28-25000 and up; PA-28R-180 and PA-28R-200 aircraft.</p> <p>J - Used on PA-28-140, PA-28-150, PA-28-160, PA-28-180, PA-28R-180 and PA-28R-200 only.</p> <p>K - Used on PA-28-180 with serial numbers 28-7305001 to 28-7505259 incl., PA-28-235 with serial numbers 28-7710089 incl., and PA-28R-200 with serial numbers 28R-7135001 to 28R-7635545 inclusive.</p> <p>L - Used on PA-28R-180 with serial numbers 28R-30004 through 28R-7130013 and PA-28R-200 with serial numbers 28R-35001 through 28R-7635545.</p>		

When ordering, always specify Part Number, Description, and Serial Number of Aircraft

THIS PAGE INTENTIONALLY LEFT BLANK

PIPER PARTS CATALOG

Figure and Index Number	Part Number	Code	NOMENCLATURE	No. Req.	SERIAL NUMBERS AFFECTED
			OPTIONAL EQUIPMENT KITS (cont.)		
	764-981	A	INERTIA SAFETY SHOULDER BELT INSTALLATION		
	767-510	B	PLACARD - Tachometer limitation		
	767-397	C	RIB FLANGE REPAIR		
	88416-002	D	LANDING GEAR WARNING HORN FLASHER REPLACEMENT		
	765-303	E	BACK UP LANDING GEAR EXTENDER REMOVAL		
	754-462	F	REPLACEMENT OF PROPELLER BOLTS		
	757-046	G	SPINNER MODIFICATION		
	757-085	H	RUDDER TRIM INSTALLATION MODIFICATION		
	757-123	J	INSTALLATION OF LANDING GEAR TORQUE LINK BOLT KIT		
			<p>A - Used on PA-28-140 with serial numbers 28-20000 to 28-26946 inclusive, PA-28-150 with serial numbers 28-7125001 to 28-7725290 inclusive, PA-28-160 with serial numbers 28-01 to 28-4377 inclusive, PA-28-180 with serial numbers 28-671 to 28-5859 inclusive, PA-28R-180 with serial numbers 28-7105001 to 28-7505260 inclusive, PA-28R-200 with serial numbers 28R-30004 to 28R-31270 inclusive and PA-28-235, with serial numbers 28R-7130001 to 28R-7130013 inclusive.</p> <p>B - Used on PA-28R-200 with serial numbers 28R-30482, 28R-35001 to 28R-7135238 inclusive, and 28R-7235001 to 28R-7635516 inclusive.</p> <p>C - Used on PA-28R-180 with serial numbers 28R-30002 to 28R-31270 inclusive and 28R-7130001 to 28R-7130013 inclusive, PA-28R-200 with serial numbers 28R-35001 to 28R-35820 inclusive and 28R-7135001 to 28R-7135229 inclusive, and PA-28R-200 with serial numbers 28R-7235001 to 28R-7635545 inclusive.</p> <p>D - Used on PA-28R-180 with serial numbers 28R-30005 and up and PA-28R-200 with serial numbers 28R-30482, 28R-35001 to 7135238 inclusive and 28R-7235001 to 28R-7635545 inclusive.</p> <p>E - Reference latest revision of Piper Service Bulletin 866 on Back Up Landing Gear Extender Removal for PA-28R-180 with serial numbers 28R-30004 to 28R-7130013 inclusive and PA-28R-200 with serial numbers 28R-35001 to 28R-7635545 inclusive.</p> <p>F - Reference latest revision of Piper Service Bulletin 209 on Replacement of Propeller Bolts for serial numbers 28-1 to 28-314 inclusive.</p> <p>G - Reference latest revision of Piper Service Bulletin 234 on Spinner Bulkhead Assembly for PA-28-150/160/180 with serial numbers 28-1761 to 28-3533.</p> <p>H - Reference latest revision of Piper Service Bulletin 237 on Rudder Trim Installation Modification for PA-28-140/150/160/180/235 with serial numbers 28-20521 to 28-22173 inclusive, 28-1761 to 28-3656 inclusive and 28-10487 to 28-10755 inclusive.</p> <p>J - Reference latest revision of Piper Service Bulletin 248 on Main Landing Gear Torque Links for PA-28-140 aircraft with serial numbers 28-20001 to 28-21594 inclusive, PA-28-150/160/180 aircraft with serial numbers 28-1 to 28-3236 inclusive and PA-28-235 with serial numbers 28-10001 to 28-10720 inclusive.</p>		

When ordering, always specify Part Number, Description, and Serial Number of Aircraft

PIPER PARTS CATALOG

Figure and Index Number	Part Number	Code	NOMENCLATURE	No. Req.	SERIAL NUMBERS AFFECTED
			OPTIONAL EQUIPMENT KITS (cont.)		
	760-251	A	FUEL SELECTOR CONTROL STOP ASSEMBLY		
	760-292	B	NOSE GEAR DOWN LOCK		
	760-532	C	VERTICALLY ADJUSTABLE SEAT FRAME TUBE REPLACEMENT KIT		
	760-560	D	MAIN TANK VENT MODIFICATION		
	760-697	E	TRANSPONDER ANTENNA COVER PROTECTOR INSTALLATION		
	760-681	F	FUEL SELECTOR CONTROL MODIFICATION		
	760-682	G	FUEL SELECTOR CONTROL MODIFICATION		
	760-794	H	REAR SEAT BELT ATTACHMENT MODIFICATION		
			<p>A - Reference the latest version of Piper Service Bulletin 285. For PA-28-235 aircraft with serial numbers 28-10003 thru 28-10719 inclusive.</p> <p>B - Reference latest version of Service Bulletin 292 on Landing Gear Modifications to the PA-28R-180 aircraft with serial numbers 28-30004 to 28-31091 inclusive.</p> <p>C - Reference latest revision of Piper Service Bulletin 337 for Vertically Adjustable Seat Frame Tube Replacement Kit 760-532 for PA-28-140 with serial numbers 28-26401 to 28-26956 inclusive, 28-7125001 to 28-7125227 inclusive, PA-28-180 with serial numbers 28-5601 to 28-5869 and 28-7105001 to 28-7125227 inclusive, PA-28R-180 with serial numbers 28R-31251 to 28R-31279 inclusive, 28R-7130001 and 28R-7130002, PA-28R-200 with serial numbers 28R-35601 to 28R-35830 inclusive and 28R-7135001 to 28R-7135070 inclusive and PA-28-235 with serial numbers 28-11301 to 28-11393 inclusive and 28-7110001 to 28-7110009 inclusive.</p> <p>D - Reference latest revision of Piper Service Bulletin 342 for Fuel Systems Instructions and Modification on the PA-28-235 using serial numbers 28-1001 to 28-11378 inclusive and 28-7110001 to 28-7110024 inclusive.</p> <p>E - Reference latest revision of Piper Service Bulletin 368 for Transponder Antenna Protector Installation using Kit 760-697 for PA-28/28R aircraft with factory installed IDF Starlight or Narco AT-50 transponders. Used in PA-28-140 aircraft with serial numbers 28-7225093 to 28-7225503 inclusive, PA-28-180 with serial numbers 28-7205094 to 28-7205294 inclusive, PA-28-235 with serial numbers 28-7210004 thru 28-7310001 inclusive and PA-28R-200 with serial numbers 28R-7235001 to 28R-7235282 inclusive.</p> <p>F - Reference latest revision of Piper Service Bulletin 376; for use with PA-28-235 aircraft with serial numbers 28-10001 to 28-10785 inclusive.</p> <p>G - Reference latest revision of Piper Service Bulletin 376; Used in PA-28-235 aircraft with serial numbers 28-10786 to 28-11039 inclusive.</p> <p>H - Reference latest revision of Piper Service Bulletin 393 for Rear Seat Belt Attachment Modification for PA-28-140 with serial numbers 28-7225001 to 28-7325674 inclusive, PA-28-180 with serial numbers 28-7205001 to 28-7305601 inclusive, PA-28-235 with serial numbers 28-7210001 to 28-7310176 inclusive and PA-28R-200 with serial numbers 28R-7235001 to 28R-7335446 inclusive.</p>		

When ordering, always specify Part Number, Description, and Serial Number of Aircraft

PIPER PARTS CATALOG

Figure and Index Number	Part Number	Code	NOMENCLATURE	No. Req.	SERIAL NUMBERS AFFECTED
			OPTIONAL EQUIPMENT KITS (cont.)		
	761-074	A	NOSE GEAR TRUNNION MODIFICATION		
	765-157	B	BATTERY STRAP INSTALLATION		
	765-186	C	AMMETER REPLACEMENT		
	760-546	D	FUEL SELECTOR VALVE COVER REPLACEMENT		
	760-510	E	TACHOMETER LIMITATION PLACARD		
	754-477	F	RADIO CONTROL COOLING		
	756-896	G	STABILATOR TRIM INSTALLATION		
	756-930	G	STABILATOR TRIM INSTALLATION		
	760-558	H	ENGINE BAFFLE MODIFICATION		
	760-599	J	OIL COOLER HOSE REPOSITIONING		
			<p>A - Reference latest revision of Piper Service Bulletin 510. Used in the PA-28R-200 with serial numbers 28R-7635001 to 28R-7635432 inclusive.</p> <p>B - Reference latest revision of Piper Service Bulletin 804. Used in PA-28-180 aircraft with serial numbers 28-7505001 thru 28-7505259 inclusive, PA-28-235 with serial numbers 28-7510001 thru 28-7710089 inclusive and PA-28R-200 with serial numbers 28R-7535001 thru 28R-7635545 inclusive.</p> <p>C - Reference Piper Service Bulletin 811, latest revision. Used in PA-28-150/160 aircraft with serial numbers 28-3378 thru 28-4377 inclusive, PA-28-180 with serial numbers 28-3378 thru 28-7505259 inclusive and 28-E13, and PA-28-235 with serial numbers 28-10720 thru 28-7710089 inclusive and 28-E11.</p> <p>D - Reference latest revision of Piper Service Bulletin 840. Used in PA-28-140 with serial numbers 28-20000 thru 28-26946 inclusive, PA-28-140/150/160/180 with serial numbers 28-01 thru 28-5859 inclusive, PA-28R-180 with serial numbers 28R-30000 thru 28R-31270 inclusive and PA-28R-200 with serial numbers 28R-35001 thru 28R-35820 inclusive.</p> <p>E - Reference latest revision of Piper Service Bulletin 1164. Used in the PA-28R-200 Arrow with serial numbers 28R-35001 through 28R-35820 inclusive, 28R-7135001 through 28R-7235001 through 28R-7635545 inclusive and PA-28R-200 Arrow II with serial numbers 28R-7235001 through 28R-7635545 inclusive using Kit 767-510.</p> <p>F - Used in PA-28 Cherokees with serial numbers 28-1 to 29-913. Reference Piper Service Letter 394.</p> <p>G - Reference latest revision of Piper Service Letter 450. Used in PA-28 aircraft with serial numbers 28-1 to 28-1410.</p> <p>H - Reference Piper Service Letter 587 for Engine Baffle Modification information using Kit 760-558 on the PA-28R-200 Cherokee Arrow with serial numbers 28R-30482, 28R-35001 to 28R-35392 inclusive, 28R-35601 to 28R-36820 inclusive and 28R-7135001 to 28R-7135235 inclusive.</p> <p>J - Reference Piper Service Letter 611. Used in PA-28-140 Cherokee aircraft with serial numbers 28-7125472 through 28-7225172 inclusive.</p>		

When ordering, always specify Part Number, Description, and Serial Number of Aircraft

PIPER PARTS CATALOG

Figure and Index Number	Part Number	Code	NOMENCLATURE	No. Req.	SERIAL NUMBERS AFFECTED
			OPTIONAL EQUIPMENT KITS (cont.)		
	760-729	A	FORWARD CABIN DOOR REINFORCEMENT		
	760-740	B	SEAT BACK STOP MODIFICATION		
	760-780	C	THROTTLE CONTROL CABLE ALIGNMENT		
	760-842	D	TOE BRAKE SYSTEM MODIFICATION		
	760-900	E	FRESH AIR VENT MODIFICATION		
	760-901	E	FRESH AIR VENT MODIFICATION		
	760-902	E	FRESH AIR VENT MODIFICATION		
	761-103	F	VERTICALLY ADJUSTABLE SEAT CONTROL ASSEMBLY		
			<p>A - Reference Piper Service Letter 620 for instruction on Forward Cabin Door Reinforcement using Kit 760-729. Use in PA-28-140 with serial numbers 28-20001 to 28-7325229 inclusive, PA-28-150/160/180 Cherokees with serial numbers 28-03 and 28-1 to 28-7205318 inclusive, PA-28-235 Cherokees with serial numbers 28-10001 to 28-7210023 inclusive, PA-28R-180 Cherokee Arrows with serial numbers 28R-30002 to 28R-7130013 inclusive and PA-28R-200 Cherokee Arrows with serial numbers 28R-35001 to 28R-7135299 inclusive.</p> <p>B - Used on PA-28-140 aircraft with serial numbers 28-7325001 to 28-7325198 inclusive, PA-28-180 with serial numbers 28-7305001 to 28-7305197 inclusive and PA-28-235 with serial numbers 28-7310001 to 28-7310077 inclusive.</p> <p>C - Reference latest revision of Piper Service Letter 670. Used in PA-28-140 aircraft with serial numbers 28-25001 to 28-6331 inclusive, 28-6401 to 28-26946 inclusive, 28-7125001 to 28-7125641 inclusive, and 28-7225001 to 28-7225373 inclusive.</p> <p>D - Reference latest revision of Piper Service Letter 700. Used in PA-28-140 aircraft with serial numbers 28-7425001 to 28-7425219 inclusive, PA-28-180 with 28-7405001 to 28-7405090 inclusive, PA-28R-200 with serial numbers 28R-7435001 to 28R-7435166 inclusive and PA-28-235 with serial numbers 28-7410001 to 28-7410055 inclusive.</p> <p>E - Reference latest revision of Piper Service Letter 738. Used in PA-28-140 Cherokee Cruiser with serial numbers 28-7425001 to 28-7425444 inclusive, 28-7535001 to 28-7525118 inclusive, PA-28-180 Cherokee Archer with serial numbers 28-7405001 to 28-7405280 inclusive, 28-7505001 to 28-7505097 inclusive, PA-28-235 Cherokee Pathfinder with serial numbers 28-7410001 to 28-7410110 inclusive, 28-751001 to 28-7510031 inclusive, and PA-28R-200 Cherokee Arrow II with serial numbers 28-7435001 to 28-7435323 inclusive and 28-7535001 to 28-7535094 inclusive.</p> <p>F - Reference latest revision of Piper Service Letter 813 on vertically adjustable seat refinement using Kit 761-103. Used in PA-28-140 Cherokee Cruiser with serial numbers 28-7425061 to 28-7725170 inclusive, PA-28-180 Cherokee Archer with serial numbers 28-7405035 to 28-7505261 inclusive, PA-28R-200 Cherokee Arrow II with serial numbers 28R-7435035 to 28R-7635312 inclusive and PA-28-235 Cherokee Pathfinder with serial numbers 28R-7410027 to 28-7710009.</p>		

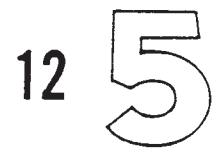
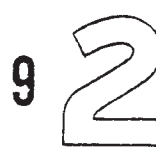
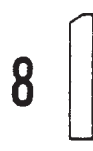
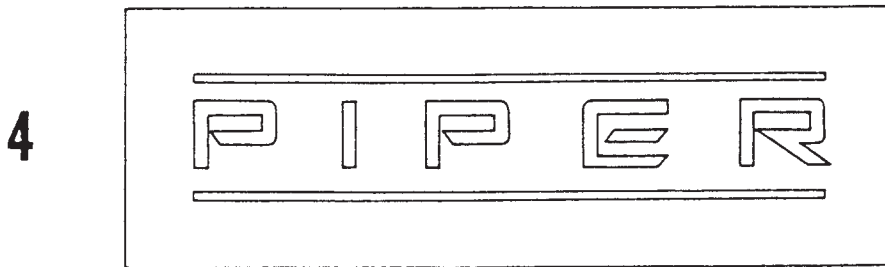
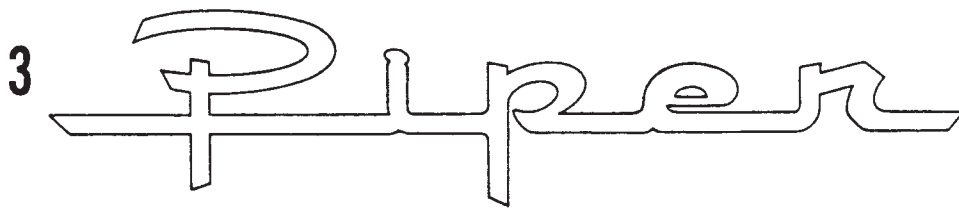
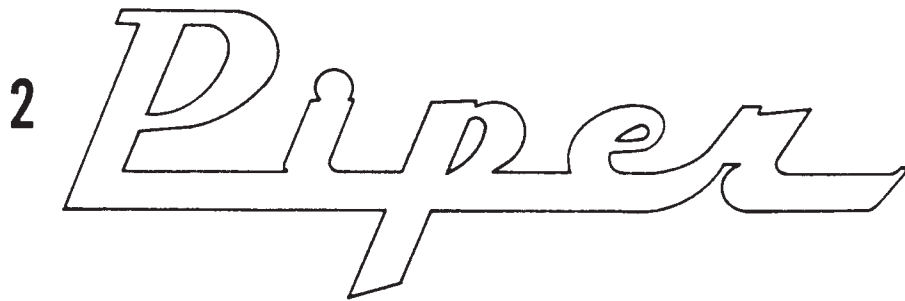
When ordering, always specify Part Number, Description, and Serial Number of Aircraft

PIPER PARTS CATALOG

Figure and Index Number	Part Number	Code	NOMENCLATURE	No. Req.	SERIAL NUMBERS AFFECTED
			OPTIONAL EQUIPMENT KITS (cont.)		
	763-890	A	FORWARD FACING SEAT BACK MODIFICATION		
	767-310	B	ALTERNATOR DRIVE BELT CONVERSION INSTALLATION		
	765-382	C	AFT SHOULDER HARNESS KIT		
	765-383	D	AFT SHOULDER HARNESS KIT		
	764-377	E	NOSE LANDING GEAR MODIFICATION		
	765-106	F	INSPECTION ACCESS HOLE		
	460-939	G	LANDING GEAR WARNING HORN FLASHER REPLACEMENT		
			<p>A - Reference latest revision of Piper Service Letter 861. Used on PA-28-140 aircraft with serial numbers 28-7325001 to 28-7725290 inclusive, PA-28-180 with serial numbers 28-7305001 to 28-7505259 inclusive, PA-28R-200 with serial numbers 28R-7235001 to 28R-7635545 inclusive and PA-28-235 with serial numbers 28-7310001 to 28-7710089 inclusive.</p> <p>B - Reference latest revision of Piper Service Letter, used on PA-28-180 and PA-28R-200 aircraft with serial numbers 28-7205092 and up and 28-7690001-2890205. Kit is for aircraft equipped with optional factory-installed air conditioning.</p> <p>C - Used in PA-28 series aircraft manufactured between 1961 and 1972 without a third window installed, specifically in PA-28-140 with serial numbers 28-20000 to 28-7125641 inclusive, PA-28-150/160 with serial numbers 28-01 to 28-4377, PA-28-180 with serial numbers 28-671 to 28-4377 inclusive and PA-28-235 with serial numbers 28-10001 to 28-11039 inclusive.</p> <p>D - This kit applies to aircraft with third window installed. Used in PA-28-180 aircraft with serial numbers 28-4378 thru 28-5859 inclusive, 28-7105001 thru 28-7105234 inclusive, PA-28-235 aircraft with serial numbers 28-11040 thru 28-11378 inclusive, 28-7110001 thru 28-7110028 inclusive, PA-28R-180 with serial numbers 28R-30004 thru 28R-31270 inclusive, 28R-7130001 thru 28R-7130013 inclusive and PA-28R-200 with serial numbers 28R-35001 thru 28R-35820 inclusive and 28R-7135001 thru 28R-7135229 inclusive.</p> <p>E - Used in PA-28R-200 aircraft with serial numbers 28R-35001 to 28R-7635545 and PA-28R-180 aircraft with serial numbers 28R-30004 to 28R-7130013.</p> <p>F - For PA-28R-180 aircraft with serial numbers 28R-30004 thru 28R-7130013 inclusive and PA-28R-200 aircraft with serial numbers 28R-35001 thru 28R-7335264 inclusive.</p> <p>G - Used in PA-28R-180 and PA-28R-200 aircraft only.</p>		

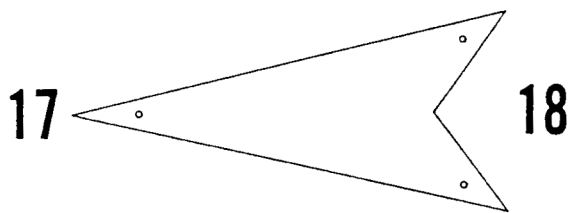
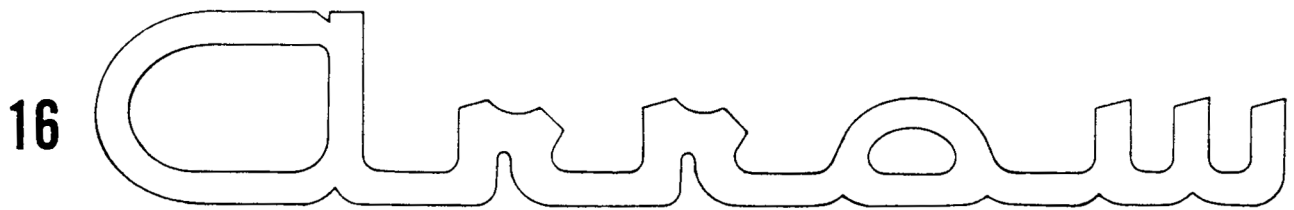
When ordering, always specify Part Number, Description, and Serial Number of Aircraft

THIS PAGE INTENTIONALLY LEFT BLANK

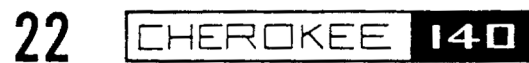
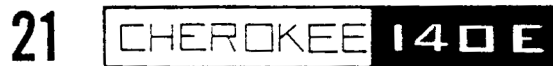
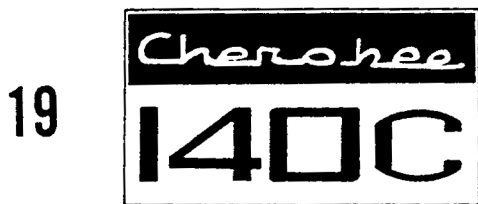


- 1. 63934-000 MEDALLION - Cherokee
- 2. 21940-002 PLACARD - Piper
- 3. 22859-000 STENCIL - Piper
- 4. 66929-000 STENCIL - Piper
- 5. 63986-000 LETTER - B
- 6. 63968-003 LETTER - C
- 7. 63968-011 LETTER - D
- 8. 63968-004 NUMERAL - 1

- 9. 22418-002 NUMERAL - 2
- 10. 22773-001 NUMERAL - 3
- 11. 63968-012 NUMERAL - 4
- 12. 63968-006 NUMERAL - 5
- 13. 63968-001 NUMERAL - 6
- 14. 63968-007 NUMERAL - 8
- 15. 63968-008 NUMERAL - 0

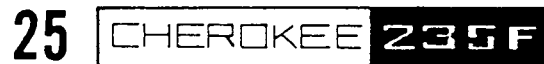


18



- 16. 67194-000 MEDALLION - Arrow
- 17. 67195-000 MEDALLION - Arrowhead
- 18. 66743-000 NAMEPLATE - Cherokee 140B
- 19. 66938-000 NAMEPLATE - Cherokee 140C

- 20. 99442-000 NAMEPLATE - Cherokee 140D
- 21. 99706-000 NAMEPLATE - Cherokee 140E
- 22. 99969-000 NAMEPLATE - Cherokee 140



- 23. 66943-000 NAMEPLATE - Cherokee 235D
- 24. 99444-000 NAMEPLATE - Cherokee 235E
- 25. 99708-000 NAMEPLATE - Cherokee 235F
- 26. 66939-000 NAMEPLATE - Cherokee 180E

- 27. 99443-000 NAMEPLATE - Cherokee 180F
- 28. 99707-000 NAMEPLATE - Cherokee 180G
- 29. 66941-000 NAMEPLATE - Cherokee Arrow 180
- 30. 99376-002 LETTER "B" - Cherokee Arrow 180 Nameplate

31 **CHEROKEE ARROW 200**

32 **CHEROKEE ARROW 200 B**

33 **CHEROKEE ARROW II**

34 **CHEROKEE Arrow II**

35 **cherokee ARROW**

36 **CHEROKEE**

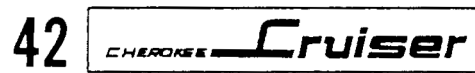
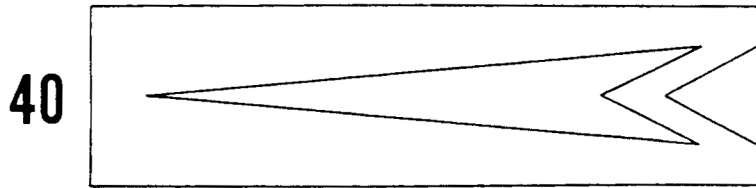
37 **CHEROKEE**

38 **200**

39 **200**

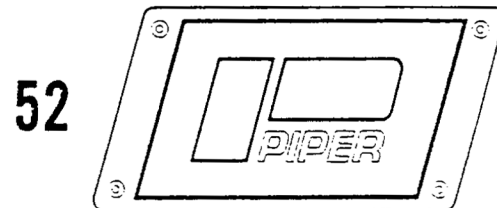
- 31. 67818-000 NAMEPLATE - Cherokee Arrow 200
- 32. 99376-000 NAMEPLATE - Cherokee Arrow 200B
- 33. 76108-000 NAMEPLATE - Cherokee Arrow II
- 34. 76251-000 NAMEPLATE - Arrow II
- 35. 76486-000 NAMEPLATE - Cherokee Arrow (White)
- 76451-002 NAMEPLATE - Cherokee Arrow (Black)

- 36. 99612-000 NAMEPLATE - Cherokee, left
- 37. 99612-002 NAMEPLATE - Cherokee, right
- 38. 67820-000 STENCIL - "200" (Left)
- 39. 67820-001 STENCIL - "200" (Right)



- 40. 67821-000 STENCIL - Arrowhead
- 41. 99832-000 NAMEPLATE - Cruiser
- 42. 79005-000 NAMEPLATE - Cruiser
- 43. 79597-000 NAMEPLATE - Cruiser (White)
- 79294-002 NAMEPLATE - Cruiser (Black)
- 44. 76250-000 NAMEPLATE - Challenger

- 45. 76252-000 NAMEPLATE - Charger
- 46. 76487-000 NAMEPLATE - Pathfinder (White)
- 76450-002 NAMEPLATE - Pathfinder (Black)
- 47. 76449-000 NAMEPLATE - Archer (White)
- 76449-002 NAMEPLATE - Archer (Black)



- 48. 99711-000 STENCIL - Piper Air
- 49. 99728-000 NAMEPLATE - Piper Air
- 50. 79315-000 PLACARD - Piper Air

- 51. 99613-000 NAMEPLATE - Flite Liner
- 52. 48629-000 MEDALLION - Piper Logo
- 53. 79688-000 DECAL - Piper

THIS PAGE INTENTIONALLY LEFT BLANK

THIS PAGE INTENTIONALLY LEFT BLANK

NUMERICAL INDEX

THIS PAGE INTENTIONALLY LEFT BLANK

PIPER PARTS CATALOG

Part Number	Figure and Index No.	Part Number	Figure and Index No.	Part Number	Figure and Index No.	Part Number	Figure and Index No.
SKVB-244	52-105	14843-070	24-98	19063-002	24-17	21230-000	53-75
10430-000	60-12	14843-090	24-32	19063-002	24A-2	21230-000	55-14
11122-000	73B-6	14976-011	35-19	19336-000	28A-11	21257-003	24-58
11199-000	16-19	14976-015	34-64	19336-000	28A-20	21257-003	30-50
11199-000	16-32	14976-016	34-23	19336-000	28B-11	21257-004	24-58
11199-003	87-19	14990-000	87-26	19336-000	28C-35	21257-004	30-50
11199-008	16-32	14994-000	87-21	19336-001	28A-11	21407-000	24-65b
11199-008	67-20	15086-000	27-70	19336-001	28A-20	21407-000	30-66
11199-008	88-27	15086-000	27A-67	19336-001	28B-11	21407-000	31-55
11199-008	89-14	15152-000	45-8	19336-001	28C-35	21409-000	24-66
11200-000	77-18	15206-002	33A-9	19365-002	28A-13	21409-000	30-63
11200-000	77-80	16444-000	67-1	19365-002	28A-22	21409-000	31-52
11473-040	33-40	16599-000	66-75	19365-002	28B-9	21457-000	20-18
11692-005	77-19	17442-000	77-20	19365-002	28C-37	21474-000	24-41
12599-003	45-7	17555-000	73B-16	19392-015	28A-12	21475-000	24-42
12605-000	45-3	17766-006	51-4	19392-015	28A-21	21476-002	24-43
12693-004	56-38	17766-006	52-4	19392-015	28B-8	21572-000	30-6
12693-004	57-46	17766-006	53-53	19513-010	38-49	21572-000	31-17
12693-004	66-91	17766-006	55-11	19561-000	87-2	21573-000	30-7
12723-000	64-4	17803-000	52-5	19562-000	87-25	21574-000	30-17
12761-002	13-47	17870-006	25-41	19563-000	87-1	21574-000	31-19
12761-002	24-4b	17871-008	25-42	19807-000	68-10	21710-000	35-29
12761-002	68-1	18063-000	24-117	19927-003	25-46	21712-002	35-17
12809-000	64-25	18078-000	51-6	20589-000	16-3	21741-000	12-31
12813-000	64-7	18078-000	52-6	20596-000	16-1	21785-002	24-44
13020-000	37-59	18078-000	53-73	20735-005	35-11	21785-003	24-44
13071-000	33-39	18078-000	55-12	20743-000	24-18	21822-000	38-36
13074-002	33A-2	18132-000	59-51	20747-000	24-19	21831-004	35-31
13074-003	33A-4	18132-002	59-51	20754-002	39-2	21843-000	24-34
13089-000	33-38	18219-000	59-57	20781-000	35-44	21844-000	24-35
13090-000	33-37	18219-002	57B-32	20784-000	35-14	21878-000	68-21
13291-000	33-36	18219-002	57C-42	20784-000	39-19	21881-000	24-45
13476-000	30-39	18219-002	59-57	20868-000	28-8	22103-003	57B-47
13476-000	31-12	18219-002	67-3	20868-000	28A-32	22104-004	57A-39
13478-000	30-41	18219-002	67A-50	20868-000	29-14	22105-003	31A-55
13478-000	31-14	18290-000	45-1	20886-000	20-17	22105-003	31B-11
13483-000	30-40	18307-000	52-7	20908-000	77-22	22105-003	32-14
13483-000	31-13	18321-000	51-8	21008-000	45-5	22105-010	54-31
13586-080	10-36	18321-000	52-8	21027-000	22-26	22105-010	58-36
13945-040	22-29	18321-000	53-79	21027-000	22A-14	22287-000	31A-44
13945-040	22A-13	18321-000	54-27	21028-000	45-10	22287-000	31B-31
13950-000	16-7	18321-000	55-13	21029-000	45-6	22287-000	32-40
14153-000	45-9	18321-000	56-42	21030-000	45-2	22287-000	57B-42
14175-103	38-29	18321-000	57-39	21051-000	45-13	22287-000	59-56
14205-000	18-25	18321-000	57-45	21154-003	24-60	22287-003	76-55
14235-000	60-14	18321-000	57B-33	21154-003	30-47	22287-003	84-12
14235-008	66-51	18321-000	57C-46	21154-004	24-50	22482-000	10-33
14311-039	56-55	18321-000	66-99	21154-004	30-47	22482-000	15-45
14311-039	57-27	18321-000	67-6	21156-000	24-61	22514-000	18-6
14314-002	69-18	18321-000	68-5	21156-000	30-48	22633-002	67-5
14422-000	56-2	18457-000	2-5	21156-000	31-33	23107-000	52-105
14470-000	51-3	18467-000	16-8	21162-000	24-56	23107-000	66-3
14470-000	52-3	18622-000	56-16	21162-000	30-49	23319-000	54-34
14470-000	53-72	18622-000	57-8	21162-000	31-34	23809-004	58-67
14493-000	20-12	18622-000	57A-9	21172-002	24-26	23809-005	58-23
14627-003	24-21	18622-000	58-86	21176-000	24-36	23809-006	58-24a
14634-000	24-46	18622-000	66-75	21208-000	24-37	23809-007	58-66
14635-002	24-23	18835-012	28-20a	21209-000	24-38	23969-002	68-13
14635-003	24-47	18838-004	28-33a	21212-002	24-48	23969-002	73B-21
14843-016	38-15	18875-006	16-6	21213-000	24-49	23969-002	93-26
14843-051	28-7	19011-000	45-4	21214-000	24-50	23969-003	68-14
14843-051	28A-35	19063-002	24-2	21227-000	52-49	23969-005	73B-22

PIPER PARTS CATALOG

Part Number	Figure and Index No.	Part Number	Figure and Index No.	Part Number	Figure and Index No.	Part Number	Figure and Index No.
24047-000	57C-7	35214-000	68-76	36625-003	52-79	62019-003	81-6
24047-000	59-7	35261-000	69A-6	36625-003	53-104	62021-000	3-3
24047-000	67A-7	35262-002	33-48	36625-003	54-75	62021-001	3-3
24048-000	57B-5	35270-000	33-9	36625-003	55-98	62022-002	3-4
24048-000	57C-8	35270-000	34-77	36692-002	58-27	62022-003	3-4
24048-000	59-8	35281-000	33-19	36856-002	28C-20	62023-000	3-22
24048-000	67A-8	35281-000	34-78	36857-002	28C-21	62023-001	3-22
24123-000	57B-50	35282-004	33-18	36858-002	28C-42	62024-000	3-23
24123-000	59-41	35282-004	34-79	37693-004	96-1	62024-000	3-24
24123-000	67A-28	35283-000	33-17	37694-002	96-2	62024-000	3-32
24357-000	57B-18a	35283-000	34-80	37722-002	42-10	62024-001	3-23
24357-000	59-24b	35284-002	33-14	37722-003	42-12a	62024-001	3-24
24357-000	67A-15	35284-002	34-81	37732-000	39-13	62024-001	3-32
24358-000	57B-6a	35402-000	76-20	37848-002	28C-26	62024-002	3-25
24358-000	59-9a	35432-000	33-19	37902-002	28C-13	62024-003	3-25
24358-000	67A-14	35433-000	33-14	37902-005	28C-53	62033-000	51-76
24582-000	58-22	35644-902	37-20	37902-006	28C-13	62033-000	52-76
24582-000	58-68	35644-903	37-20	37902-008	28C-11	62033-000	53101
24995-000	58-10	35655-002	60-2a	37915-002	27A-72	62033-000	54-72
25006-006	66-3	35656-002	60-2b	37970-002	34-75	62033-000	55-95
26653-000	28B-16	35664-002	2-45	37997-002	32B-5	62037-000	51-124
26749-007	18-2	35669-004	33-51	37997-002	32E-11	62037-000	52-83
26749-007	19-2	35669-005	33-52	38149-003	68-77	62044-000	51-82
26749-007	19A-2	35669-005	34-52	38149-005	70-44	62044-000	53-109
26749-007	19B-2	35669-008	34-85	38226-000	17-36	62044-000	54-81
26824-000	28B-3a	35669-010	33-51	38255-002	68-68	62044-000	55-104
26824-001	28B-3a	35669-014	17-72	38261-002	34-25	62045-005	52-80
26952-000	28B-18	35669-028	17-8a	38995-002	84-1	62047-006	4-8
26953-000	28B-23	35669-105	93A-19	38996-002	84-1b	62047-007	4-8
26965-000	28B-19	35669-105	93B-13	38998-003	84-6	62049-000	3-26
26965-002	28B-20	35669-105	93C-12	41001-010	74-11	62049-001	3-26
26966-000	28B-22	35669-132	93C-11	41001-010	75-11	62053-000	4-15
27018-000	28B-15	35669-154	97-4	41001-011	75-12	62053-000	5-18
27244-000	28B-24	35672-002	96-13	42891-000	30-55	62053-001	4-15
27245-000	28B-25	35725-002	2-6	42891-000	77-23	62053-001	5-18
31197-000	51-69	35789-002	51-29	44386-003	35-18	62054-000	4-16
31197-000	52-69	35789-002	52-29	50111-000	28-23	62054-000	5-19
31197-000	53-70	35789-002	54-59	50111-000	28A-9	62054-001	4-16
31197-000	55-65	35827-002	58-6	50111-000	28B-7	62054-001	5-19
31747-000	32-12	36511-002	31A-5	50111-000	76-15	62055-000	4-17
31747-000	57B-24	36511-002	32-2	52586-002	86A-1	62055-000	5-20
31747-000	57B-27	36511-003	31A-5	61402-093	34-21	62057-000	4-19
31747-000	57C-37	36511-003	32-2	61413-003	66-12	62057-000	5-22
31747-000	57C-44	36535-002	18-2	61879-002	56-37	62058-000	4-20
31747-000	59-32a	36535-002	19-2	61879-002	57-7	62058-000	5-23
31747-000	59-35	36535-002	19A-2	61879-002	57A-8	62058-001	4-20
31747-000	67-4	36535-002	19B-2	61879-002	58-81	62058-001	5-23
31747-000	67A-29	36558-006	31A-10	61879-002	66-1	62059-000	51-81
32380-000	28A-14	36558-007	31A-10	62002-002	50-48	62059-000	54-80
32380-000	28A-23	36558-007	31B-5	62002-003	50-49	62059-000	55-108
32380-000	28B-10	36588-004	26-108	62016-002	49-2	62060-000	51-73
32380-000	28C-40	36588-004	27-113	62016-003	49-2	62060-000	52-75
32658-002	17-64	36588-004	27A-102	62016-005	49-3	62060-000	53-107
35158-002	33-37	36589-002	27-19	62016-006	49-3	62060-000	54-74
35201-000	73B-25	36589-002	27A-28	62016-007	49-4	62060-000	55-101
35202-000	73B-24	36589-003	27-19	62016-008	49-5	62060-001	51-73
35203-002	10-32a	36625-002	51-79	62016-009	49-6	62060-001	52-75
35203-002	68-76a	36625-002	52-79	62016-010	49-7	62060-001	53-107
35208-000	69A-7	36625-002	53-104	62017-000	49-8	62060-001	54-74
35208-000	70-7	36625-002	54-75	62018-000	49-9	62060-001	55-101
35209-000	70-3	36625-002	55-98	62019-000	80-3	62060-004	51-73
35212-000	70-10	36625-003	51-79	62019-003	80-3	62060-004	52-75

PIPER PARTS CATALOG

Part Number	Figure and Index No.	Part Number	Figure and Index No.	Part Number	Figure and Index No.	Part Number	Figure and Index No.
62060-004	53-107	62124-000	3-18a	62227-000	73-2	62285-000	8-1
62060-004	54-74	62127-000	7-13a	62228-000	72-3	62285-005	8-6
62060-004	55-101	62127-001	7-13a	62230-000	60-3	62289-002	26-2
62060-005	51-73	62129-003	4-2	62231-000	60-4	62289-003	26-2
62060-005	52-75	62129-003	5-31	62232-000	60-5	62289-004	26-2
62060-005	53-107	62129-004	4-2	62233-000	62-8	62289-005	26-2
62060-005	54-74	62129-004	5-3	62234-000	62-9	62292-002	24-69
62060-005	55-101	62129-007	4-3	62237-000	12-19	62292-003	24-69
62061-002	3-17	62129-007	5-32	62238-000	91-3	62292-004	24-69
62061-004	4-35	62129-008	4-3	62238-000	93-3	62292-005	24-69
62066-000	3-18	62129-008	5-32	62238-011	93-3	62292-006	24-69
62070-000	4-22	62142-000	52-81	62239-000	91-14	62292-007	24-69
62070-001	4-22	62145-000	89-17	62239-000	93-15	62293-002	26-3
62070-006	4-23	62146-000	88-15	62241-000	92-18	62293-003	26-3
62070-007	4-23	62146-001	88-15	62242-000	92-19	62293-004	26-3
62070-008	4-22	62147-002	16-50	62243-000	20-21	62293-005	26-3
62070-009	4-22	62147-003	88-16	62244-000	20-22	62293-006	26-3
62071-000	4-25	62149-000	19-29	62245-007	49-33	62293-007	26-3
62071-000	5-26	62150-000	49-30	62258-000	14-13	62294-002	26-4
62071-001	4-25	62153-000	10-32	62258-002	14-13	62294-003	26-4
62071-001	5-26	62154-000	10-7	62259-000	26-32	62294-004	26-4
62071-004	4-25	62161-000	88-17	62261-000	14-14	62294-005	26-4
62071-005	4-25	62163-000	88-2	62262-000	14-15	62294-006	26-4
62072-000	4-24	62170-000	88-1	62263-000	14-6a	62294-007	26-4
62072-000	5-27	62171-000	30-62	62263-002	14-6a	62295-002	26-5
62072-001	4-24	62171-000	31-11	62263-003	14-6a	62295-003	26-5
62072-001	5-27	62171-000	57-59	62264-000	26-35	62295-004	26-5
62074-000	4-27	62177-004	17-14	62265-000	26-36	62295-005	26-5
62074-000	5-29	62177-005	17-14	62267-002	26-43	62295-006	26-5
62074-001	4-27	62177-019	17-14	62267-003	26-43	62295-007	26-5
62074-001	5-29	62177-008	17-14	62268-000	13-55	62295-008	26-5
62079-000	4-26	62177-010	17-14	62268-002	13-55	62295-009	26-5
62082-000	3-20	62178-000	30-31	62269-002	26-37	62295-010	26-5
62082-001	3-20	62178-000	31-8	62269-002	26-62	62295-011	26-5
62083-000	3-21	62178-000	31A-11	62269-004	26-62	62296-002	26-6
62083-001	3-21	62178-000	31B-12	62269-005	26-37	62296-003	26-6
62083-006	3-21	62179-000	64-8	62269-006	26-38	62296-004	26-6
62083-008	3-21	62180-000	64-9	62269-009	26-37	62296-005	26-6
62084-000	3-5	62183-000	30-25	62269-010	26-62	62296-006	26-6
62086-000	3-8	62183-000	31B-4	62269-011	26-37	62296-007	26-6
62086-001	3-8	62198-002	16-50	62269-012	26-62	62296-008	26-6
62087-000	3-9	62198-003	88-16	62271-000	25-42	62296-009	26-6
62090-000	2-16	62205-002	25-5	62272-000	26-39	62296-010	26-6
62090-001	2-16	62205-003	25-5	62276-000	30-39	62296-011	26-6
62090-020	2-17	62205-004	25-5	62276-000	31-12	62297-000	33-24
62090-021	2-17	62208-002	60-10	62277-040	8-39	62297-000	57-1
62090-022	2-18	62208-004	60-9	62277-000	13-61	62297-000	57A-2
62090-023	2-18	62208-005	60-9	62277-000	14-1	62301-003	53-4
62091-000	3-15	62214-000	51-23	62277-002	8-39	62302-003	53-27
62091-000	3-27	62214-000	52-23	62277-002	13-61	62303-000	53-6
62102-000	4-32	62215-000	51-110	62277-002	14-1	62305-000	53-60
62102-001	4-32	62215-000	52-113	62277-003	8-39	62305-000	54-1
62105-000	4-21	62216-000	64-16	62277-003	13-61	62306-000	51-36
62105-000	5-24	62217-000	64-14	62277-003	14-1	62306-000	53-61
62109-000	2-28	62217-003	64-14	62278-002	26-58	62306-000	54-2
62115-002	3-33	62219-000	51-114	62278-003	26-59	62307-000	51-38
62115-003	3-33	62219-000	52-21	62278-004	26-60	62307-000	53-62
62119-000	51-9	62219-000	53-26	62279-000	73B-12	62307-003	53-62
62119-000	52-9	62221-000	13-3	62280-000	88-18	62308-000	51-37
62119-001	51-9	62226-000	72-1	62282-002	26-1	62308-000	53-63
62119-001	52-9	62226-000	73-1	62282-003	26-1	62309-000	51-15
62121-000	2-31	62227-000	72-2	62282-006	26-1	62309-000	53-65

PIPER PARTS CATALOG

Part Number	Figure and Index No.	Part Number	Figure and Index No.	Part Number	Figure and Index No.	Part Number	Figure and Index No.
62314-000	8-26	62355-002	73-4	62416-000	12-29	62427-001	12-7
62314-000	13-1	62355-003	72-14	62419-000	8-1	62427-002	12-7
62314-002	8-29	62355-006	73-15	62419-002	8-7	62428-000	13-31a
62314-003	8-26	62356-002	16-37	62419-003	8-3	62428-001	13-31a
62314-003	13-1	62356-003	16-38	62419-004	8-4	62429-000	12-8
62314-006	8-26	62356-004	16-38	62419-007	8-10	62430-000	12-34
62314-006	13-1	62357-002	16-45	62419-008	8-11	62435-000	10-4
62314-007	8-26	62357-003	16-45	62419-009	8-6	62435-001	10-4
62314-007	13-1	62358-000	16-3	62419-010	8-4	62438-000	10-3
62314-008	8-26	62359-000	16-44	62419-011	12-72	62439-000	10-5
62314-008	13-1	62360-000	2-13	62419-016	8-10	62441-000	13-12
62315-000	8-26	62360-000	6-1	62419-017	8-1	62441-001	13-12
62315-000	13-1	62360-001	2-13	62419-018	8-6	62442-000	15-7
62315-002	8-29	62360-001	6-1	62419-020	8-6	62442-004	15-7
62315-003	8-27	62361-000	6-2	62419-021	8-1	62443-000	15-12
62317-000	20-29	62361-000	6-2	62420-000	8-12	62444-003	15-14
62319-000	10-2	62361-001	6-2	62420-003	8-25	62444-005	15-14
62319-003	10-2	62365-000	6-8	62420-004	8-23a	62445-000	15-19
62320-000	2-12	62365-001	6-8	62420-005	8-23a	62448-002	14-8
62320-000	7-1	62366-000	6-9	62420-008	12-27	62448-003	14-8
62320-002	2-12	62366-001	6-9	62420-009	8-13	62451-000	15-20
62320-002	7-1	62367-000	6-6	62420-010	12-27	62452-000	15-21
62320-003	7-17	62371-008	4-33	62420-011	8-14	62452-001	15-21
62320-004	7-18	62371-008	5-37	62420-011	9-21	62453-000	15-17
62321-000	7-2	62371-008	49-38	62420-012	12-4	62455-000	15-22
62321-001	7-2	62372-000	6-4	62420-013	12-3	62457-000	15-23
62322-000	7-3	62372-001	6-3	62420-014	8-21	62457-001	15-23
62322-002	7-3	62373-000	6-5	62420-014	10-1	62463-000	15-26
62323-000	7-5	62373-001	6-5	62420-015	8-24	62464-000	15-27
62324-000	7-4	62375-003	8-23a	62420-015	12-1	62465-000	15-28
62324-001	7-4	62375-004	8-23a	62420-016	12-2	62471-000	15-29
62327-000	7-6	62375-005	8-12	62420-021	8-21	62472-000	10-14
62328-000	7-7	62375-006	8-21	62420-021	10-1	62473-000	10-15
62328-000	7-8	62375-006	10-1	62420-022	8-15	62473-000	11-18
62328-001	7-7	62375-007	8-23a	62420-022	9-11	62473-002	10-15
62328-001	7-8	62375-010	8-12	62420-023	12-27	62473-002	11-18
62329-000	7-9	62375-011	8-21	62420-024	12-27	62474-000	12-35
62330-000	7-10	62375-011	10-1	62420-025	12-27	62475-000	12-44
62330-001	7-10	62378-000	16-1	62420-026	12-27	62475-001	12-44
62331-000	7-11	62383-000	62-11	62421-000	13-40	62476-000	12-37
62331-001	7-11	62383-003	62-11	62421-001	13-40	62476-001	12-37
62332-000	7-9	62383-003	63-8	62422-000	8-26	62477-000	12-36
62332-000	7-12	62387-000	62-10	62422-000	13-1	62477-001	12-36
62332-002	7-9	62387-007	62-10	62422-002	8-27	62479-000	12-5
62333-000	7-13	62391-000	16-40	62422-004	8-29	62479-002	12-5
62333-001	7-13	62393-000	62-5	62422-009	13-2	62480-000	12-16
62334-000	7-14	62396-000	62-2	62422-010	13-6	62480-001	12-16
62335-000	7-15	62400-002	24-114	62422-011	13-6	62480-002	12-16
62336-000	7-16	62400-002	24A-55	62422-012	8-28	62480-003	12-16
62336-008	7-16	62403-000	69-3	62422-013	8-29	62480-004	12-16
62342-000	72-4	62406-000	8-23	62422-014	8-26	62480-005	12-16
62346-000	67-21	62407-000	16-54	62422-014	13-1	62481-000	12-18
62347-000	67-22	62410-000	12-33	62423-000	12-40	62483-002	12-66
62352-000	56-4	62410-001	12-33	62425-000	11-13	62485-000	10-16
62353-004	25-16	62411-000	14-7	62425-000	10-13	62485-000	11-19
62353-004	26-68	62411-002	14-7	62425-001	10-32	62485-001	10-16
62353-004	27-55	62412-000	12-32	62425-001	11-32	62485-001	11-19
62353-004	27A-55	62412-002	12-32	62426-000	12-6	62490-000	8-16
62353-005	26-68	62413-000	15-40	62426-003	12-6	62490-000	9-22
62353-005	27-55	62413-001	15-40	62426-005	12-6	62491-000	8-17
62353-005	27A-55	62414-000	15-43	62426-006	12-6	62491-000	9-22
62355-002	72-13	62414-001	15-43	62427-000	12-7	62492-000	12-51

PIPER PARTS CATALOG

Part Number	Figure and Index No.	Part Number	Figure and Index No.	Part Number	Figure and Index No.	Part Number	Figure and Index No.
62493-000	8-20	62541-000	9-32	62618-001	14-20	62674-003	10-20
62493-000	9-13	62541-001	8-30	62619-000	14-21	62674-003	11-21
62493-000	12-52	62541-001	9-32	62620-000	13-4	62676-000	12-18
62494-000	12-13	62542-000	13-16	62624-000	91-1	62677-000	12-48
62494-002	12-10	62542-001	13-16	62629-000	50-17	62686-000	13-22
62495-000	12-14	62543-002	13-4	62629-002	50-18	62686-001	13-22
62495-002	12-11	62544-000	13-11	62629-003	50-19	62686-002	13-22
62496-000	12-3	62544-001	13-11	62630-000	15-10	62686-003	13-22
62497-000	12-4	62545-000	13-30	62631-000	12-63	62686-004	13-22
62498-000	10-17	62546-000	13-31	62632-000	12-64	62687-000	13-24
62498-000	11-20	62549-000	8-33	62633-000	12-65	62687-003	13-24
62499-000	10-18	62549-000	9-29	62634-000	12-61	62687-005	13-24
62499-000	11-20	62550-000	13-33	62635-000	12-60	62691-000	8-19
62501-000	12-56	62550-001	13-33	62636-000	12-62	62691-003	8-19
62504-000	12-47	62551-000	13-18	62637-000	12-59	62693-000	8-18
62505-000	12-39	62551-001	13-18	62638-000	12-46	62693-001	8-18
62506-000	11-25	62553-000	13-27	62638-001	12-46	62694-000	25-44
62507-000	8-23	62553-002	13-27	62639-000	12-45	62694-000	26-9
62507-000	9-16	62554-000	13-5	62639-001	12-45	62695-003	14-6a
62509-002	12-38	62554-000	13-10	62640-000	12-49	62695-004	14-6a
62509-003	12-38	62557-004	28-13	62641-000	12-49	62696-003	15-24
62509-004	12-38	62557-004	28A-44	62644-000	12-58	62698-000	10-38
62510-000	12-50	62558-000	13-9	62645-000	15-38	62699-004	10-39
62511-000	12-12	62558-001	13-9	62645-004	15-38	62701-002	74-2
62511-002	12-9	62559-000	13-28	62648-000	10-42	62701-002	75-1
62512-000	12-2	62563-000	14-9	62649-000	10-43	62701-003	74-3
62517-000	11-26	62563-001	14-9	62653-004	10-19	62701-003	75-2
62518-000	12-20	62563-002	14-9	62653-004	11-22	62701-004	74-4
62518-002	12-21	62567-000	14-10	62654-000	28-38	62701-004	75-3
62518-003	12-21	62567-001	14-10	62654-000	28A-45	62701-005	74-5
62518-014	12-21	62568-000	14-17	62654-002	28A-45	62701-005	75-4
62518-015	12-21	62569-000	14-18	62655-000	28-39	62701-006	74-6
62518-016	12-20	62570-000	14-11	62656-000	12-55	62701-006	75-5
62518-017	12-20	62571-000	12-73	62657-000	24-1	62701-007	74-7
62519-000	13-13	62576-000	13-23	62658-000	15-8	62701-008	74-8
62521-009	10-11	62576-000	13-23a	62660-000	8-39	62701-009	74-9
62521-014	10-7	62577-000	82-10	62660-000	9-33	62701-010	74-10
62521-015	10-12	62578-000	82-12	62660-000	13-61	62701-011	74-11
62522-000	10-21	62579-000	82-9	62660-000	14-1	62701-012	74-12
62522-000	11-23	62580-000	82-11	62660-006	8-40	62701-012	75-9
62524-000	13-8	62581-000	13-19	62660-006	9-36	62701-013	74-13
62524-001	13-8	62581-001	13-19	62660-007	14-3	62701-013	75-10
62525-000	13-14	62581-002	13-19	62660-008	14-2	62701-014	76-31
62525-001	13-14	62583-000	13-34	62660-008	14-4	62701-015	77-24a
62526-000	13-15	62583-001	13-34	62660-012	8-39	62701-016	77-24
62526-001	13-15	62584-000	13-35	62660-012	9-33	62701-017	49-49
62526-002	13-15	62585-000	13-36	62660-012	13-61	62701-018	49-47
62527-000	13-3	62596-000	13-41	62660-012	14-1	62701-019	49-48
62523-000	13-7	62596-001	13-41	62660-013	8-40	62701-020	49-48
62528-001	13-7	62596-002	13-41	62660-015	9-33	62701-021	49-50
62529-000	14-19	62596-003	13-41	62660-015	13-61	62701-023	49-51
62530-000	14-6	62597-000	13-66	62660-015	14-1	62701-025	49-52
62531-000	14-5	62599-000	13-64	62660-016	13-61	62701-026	49-52
62534-000	14-4	62600-000	13-65	62660-016	14-1	62701-027	49-53
62535-000	14-2	62601-000	13-42	62662-000	15-13	62701-028	49-53
62536-004	13-32	62601-003	13-42	62663-000	91-2	62701-029	49-54
62536-005	13-32	62603-000	13-43	62664-000	13-62a	62701-031	49-55
62537-000	14-3	62603-001	13-43	62665-002	15-9	62701-032	77-24a
62538-000	8-32	62604-000	13-44	62668-000	13-29	62701-034	49-56
62539-000	13-25	62604-001	13-44	62674-000	10-20	62701-044	85-2
62540-000	13-26	62605-000	13-45	62674-001	10-20	62701-045	77-24a
62541-000	8-30	62618-000	14-20	62674-001	11-21	62701-046	49-56

PIPER PARTS CATALOG

Part Number	Figure and Index No.	Part Number	Figure and Index No.	Part Number	Figure and Index No.	Part Number	Figure and Index No.
62701-047	77-24b	62712-004	81-12	62743-008	78-11	62829-000	79-1
62701-047	78-1	62713-002	76-33	62743-012	75-26	62829-003	79-1
62701-049	49-56	62713-003	74-16	62743-013	75-27	62829-005	79-1
62701-056	78-12	62713-003	75-17	62744-000	82-16	62831-000	79-8
62701-057	85-2	62714-002	74-19	62745-000	76-20	62832-000	79-9
62701-061	75-8	62714-002	78-9	62746-000	74-17	62832-002	34-41
62701-062	75-7	62714-003	74-20	62746-000	75-31	62833-006	24-84
62701-064	75-6	62714-004	57B-18b	62747-000	77-29	62833-006	24A-44
62701-099	74-2	62714-004	59-24c	62748-000	77-30	62833-007	56-52
62701-099	75-1	62714-004	67A-13	62749-000	77-31	62833-007	57-57
62701-100	74-6	62714-004	78-10	62750-000	77-32	62833-007	66-104
62701-100	75-5	62714-005	75-19	62752-000	77-33	62833-011	55-123
62701-101	76-3	62714-006	75-19	62753-000	15-15	62833-017	82-15
62701-102	75-8	62715-002	74-29	62753-000	77-34	62833-017	83-14
62701-103	75-7	62715-002	74-30	62754-000	77-35	62833-018	78-48
62701-104	78-12	62715-002	75-16	62755-000	77-36	62833-020	24-100
62701-111	85-2	62715-002	75-20	62757-000	77-3	62833-021	21-108
62701-113	74-10	62715-002	78-8	62759-000	77-4	62833-021	24A-39
62701-114	74-11	62715-003	74-29	62762-000	74-18	62833-021	24A-41
62702-000	15-25	62715-004	75-15	62762-000	75-32	62833-027	37-29
62703-024	80-4	62715-005	75-15	62763-000	13-39	62833-029	57A-51
62703-025	80-3	62716-002	80-18	62764-000	76-21	62833-035	32-6
62703-026	80-4	62716-003	80-18	62764-002	76-24	62833-036	55-120
62703-027	80-3	62716-004	80-18	62766-000	74-62	62833-039	24-115
62703-031	80-4	62716-005	80-18	62766-000	75-43	62833-039	24A-56
62703-032	80-3	62716-006	30-18	62768-000	74-31	62833-043	34-73
62703-033	80-4	62716-007	80-18	62769-000	74-32	62833-044	38-5a
62703-033	81-7	62716-007	81-18	62770-000	74-69	62833-044	38-9a
62704-000	82-1	62717-000	82-2	62771-000	74-61	62833-045	35-13
62704-002	82-1	62717-002	82-2	62771-001	74-61	62833-046	57B-126
62705-000	76-1	62721-000	82-4	62778-000	80-13	62833-046	57C-13
62706-000	76-5	62721-002	82-4	62778-000	81-15	62833-046	59-24
62706-002	76-5	62722-000	82-5	62779-000	80-10	62833-046	67A-19b
62706-003	76-5	62723-000	82-3	62782-000	80-12	62833-050	57C-18
62706-004	76-5	62723-002	82-3	62782-000	81-24	62833-050	59-24e
62706-006	76-5	62725-000	76-2	62783-000	80-21	62833-050	67A-18
62708-002	77-25	62727-000	76-51	62784-000	80-11	62833-074	71-29
62709-000	75-33	62727-001	76-51	62784-000	81-25	62833-078	28A-15a
62709-000	78-51	62730-000	76-50	62788-000	10-8	62833-078	28C-15
62710-002	74-59	62730-001	76-50	62789-002	76-3	62833-082	32A-10
62710-002	75-34	62731-000	76-9	62800-000	77-26	62833-083	32A-27
62710-002	78-15	62732-000	76-10	62801-000	77-27	62833-085	80-37
62710-003	78-15	62732-002	76-11	62802-000	77-37	62833-085	81-27
62711-002	74-15	62733-000	76-12	62803-000	77-38	62833-086	80-37
62711-002	75-14	62734-000	76-13	62804-000	77-39	62833-086	81-27
62711-002	76-32	62734-002	76-13	62805-000	77-40	62833-087	34-62
62711-003	74-28	62736-000	76-14	62706-000	77-41	62833-087	34-73
62711-003	74-28a	62737-000	76-8	62807-000	77-42	62833-101	32C-36
62711-003	75-13	62738-000	76-6	62808-000	77-43	62833-101	32C-37
62711-003	78-7	62738-002	76-6	62809-000	77-46	62833-101	33-53
62711-003	78-7a	62740-000	76-7	62814-000	77-2	62833-101	33-55
62711-004	77-47	62743-002	74-21	62817-000	15-16	62833-101	57B-41
62711-004	77-52	62743-003	74-22	62817-000	77-79	62833-101	57B-56
62711-004	77-81	62743-003	75-22	62820-000	76-27	62833-101	57C-58
62711-004	78-52	62743-003	75-22a	62821-000	76-28	62833-101	59-64
62711-006	78-7	62743-004	74-23	62825-000	80-8	62833-103	42-37
62711-007	78-7a	62743-004	74-67	62826-000	25-1	62833-103	57C-58
62712-002	76-34	62743-004	75-23	62826-000	26-7	62833-104	31A-57
62712-002	80-6	62743-005	74-24	62826-002	25-1	62833-104	31B-36
62712-003	74-14	62743-005	75-24	62826-002	26-7	62833-104	32-50
62712-003	75-21	62743-006	74-25	62827-007	25-2	62833-105	24A-33
62712-004	80-6	62743-006	75-25	62827-007	26-8	62833-107	24A-41

PIPER PARTS CATALOG

Part Number	Figure and Index No.	Part Number	Figure and Index No.	Part Number	Figure and Index No.	Part Number	Figure and Index No.
62833-107	24A-53	62882-004	8-6	62968-000	30-53	63008-013	24-68
62833-127	79-15	62884-000	8-1	62969-000	30-54	63008-013	26-10
62834-000	80-19	62884-002	8-6	62969-000	31-5	63008-014	24-68
62834-002	80-19	62891-000	25-4a	62969-000	31A-9	63008-014	26-10
62834-002	81-19	62892-003	60-2	62969-000	31B-6	63008-022	24-68
62835-000	79-10	62897-000	16-41	62973-000	30-59	63008-022	26-10
62835-007	79-10	62900-007	28-3a	62973-002	30-59	63009-005	24-69
62836-000	79-11	62905-012	28-4a	62973-003	30-59	63009-018	24-69
62837-000	79-12	62906-000	28-3	62973-004	30-59	63012-000	24-39
62838-000	79-2	62906-003	28-3	62973-005	30-59	63014-002	24-118
62839-000	80-15	62907-000	28-4	62973-005	31-39	63020-000	24-120
62839-000	81-14	62907-003	28-4	62974-000	30-58	63020-002	24-120
62840-002	80-34	62914-000	28-4a	62974-000	31-38	63020-002	24A-57
62840-002	81-30	62915-000	28-43	62975-000	30-57	63025-000	24-65
62840-003	80-34	62916-000	28-3a	62975-000	31-37	63025-000	30-64
62840-003	81-30	62919-000	32B-18	62976-000	30-56	63025-000	31-53
62844-000	77-21	62919-000	68-18	62976-002	30-56	63026-000	24-12
62845-000	80-14	62920-000	32B-19	62976-003	30-56	63029-000	24-69
62845-002	80-14	62920-000	68-19	62976-004	30-56	63033-002	25-46
62845-002	81-13	62921-000	57-22	62976-005	30-56	63033-003	25-46
62848-000	80-9	62921-000	57A-15	62976-005	31-36	63033-004	25-46
62848-002	80-9	62922-003	64-1	62978-000	56-53	63034-000	24-83
62849-000	80-17	62928-000	53-56	62978-000	57-58	63034-002	24-83
62852-000	80-32	62928-000	55-28	62978-000	66-103	63035-000	24-85
62856-000	76-50	62938-000	57-9	62980-000	57-15	63036-000	24-86
62856-001	76-50	62938-000	57A-10	62980-000	57A-28	63036-003	24A-48
62858-002	80-33	62938-000	58-34	62980-000	58-30	63037-000	12-41
62858-002	81-31	62938-041	58-34	62981-006	60-8	63038-000	12-15
62859-000	14-29	62940-000	10-37	62981-007	60-8	63038-002	12-15a
62866-000	48-1	62942-000	16-46	62983-000	88-2	63039-000	24-94
62866-000	82-6	62942-000	17-45	62984-000	88-16	63039-000	24-96
62866-000	83-8	62943-000	16-53	62985-000	57-11	63039-000	24A-40
62867-002	48-14	62943-000	17-44	62985-000	57A-11	63039-000	24A-46
62869-000	10-9	62943-000	17-48	62985-000	58-17	63039-002	24-94
62870-000	10-8	62944-000	16-47	62987-000	57-12	63039-004	57B-6c
62871-000	10-10	62944-000	17-46	62987-000	57A-12	63039-004	57C-14
62873-000	8-12	62945-000	64-23	62988-000	64-14	63039-004	59-9c
62873-002	8-24	62946-000	64-24	62988-002	64-14	63039-004	67A-14b
62873-002	9-19	62952-000	30-18	62988-003	64-14	63040-000	12-42
62873-002	12-1	62952-000	31-20	62988-004	64-14	63041-000	24-87
62873-003	12-2	62959-000	30-5	62989-000	57-21	63041-002	24-88
62873-005	12-4	62959-000	31-24	62989-000	57A-14	63042-000	24-89
62873-006	12-3	62960-000	30-37	62989-002	57-21	63042-000	24A-47
62873-007	8-12	62960-000	31-1	62992-000	57A-20	63042-002	24-89
62873-008	9-19	62960-000	31A-1	62992-000	58-27	63042-003	24-89
62873-008	12-1	62960-000	31B-1	63000-028	24-62	63045-000	24-90
62873-009	8-24	62960-001	30-37	63001-004	24-63	63045-000	24A-45
62873-009	12-1	62960-001	31-1	63001-005	24-64	63047-000	24-62
62873-010	12-2	62960-001	31A-1	63006-000	24-5	73047-007	24-62
62873-011	12-4	62960-001	31B-1	63006-006	24-15	73047-012	24-62
62873-012	12-3	62962-000	30-34	63006-007	24-11	73047-013	24-62
62873-013	3-24	62962-000	31-3	63006-009	24-5	73047-014	24-62
62873-013	12-1	62962-000	31A-51	63006-010	24-5	63049-000	12-17
62875-000	13-20	62962-000	31B-33	63007-000	24-67	63050-000	24-63
62878-000	81-95	62962-003	31A-51	63008-002	24-68	63051-000	24-64
62878-000	82-105	62964-000	30-26	63008-002	25-3	63055-000	24-5
62878-000	83-78	62964-000	31-4	63008-002	26-10	63055-003	24-5
62879-000	88-24	62965-000	30-23	63008-005	24-68	63055-004	24-5
62881-000	10-7	62965-004	30-23	63008-005	25-3	63068-000	28-19
62882-000	8-1	62965-004	31-22	63008-005	26-10	63068-002	28-20
62882-002	8-6	62965-004	31A-23	63008-012	24-68	63068-003	28-33
62882-003	8-1	62965-004	32-34	63008-012	26-10	63068-004	28-19

PIPER PARTS CATALOG

Part Number	Figure and Index No.	Part Number	Figure and Index No.	Part Number	Figure and Index No.	Part Number	Figure and Index No.
63068-005	28-20	63070-045	23B-2	63111-005	25-4	63116-038	27A-16
63068-006	28-33	63070-046	23A-1	63111-018	25-4	63116-039	25-18
63068-007	28-33	63070-046	23B-1	63112-005	25-5	63116-040	25-17
63068-008	28-19	63071-002	22-12	63112-018	25-5	63116-041	25-16
63068-009	28-20	63071-002	23-26	63112-018	26-3	63116-042	25-21
63068-010	28-33	63071-002	23A-21	63113-005	25-14	63116-043	25-19
63068-011	28-19	63071-002	23B-16	63113-018	25-14	63116-044	25-19
63070-004	22-3	63071-003	22-13	63114-005	25-15	63116-048	25-18
63070-004	22A-3	63071-003	23-25	63114-017	25-15	63116-048	26-45
63070-004	23-3	63071-003	23B-17	63114-017	26-4	63116-048	27-34
63070-004	23A-3	63071-004	22-14	63115-002	16-37	63116-048	27A-17
63070-004	23B-3	63071-004	23B-18	63115-003	16-38	63116-049	25-17
63070-005	22-4	63071-005	22-15	63115-009	16-37	63116-049	26-47
63070-005	22A-4	63071-005	23B-19	63116-002	25-16	63116-049	27-35
63070-005	23-4	63071-006	22-16	63116-003	25-16	63116-049	27A-18
63070-005	23A-4	63071-006	23B-20	63116-004	25-17	63116-050	25-16
63070-005	23B-4	63071-007	22-17	63116-004	26-47	63116-050	26-46
63070-006	22-5	63071-007	23B-21	63116-004	27-35	63116-050	27-36
63070-006	22A-3	63071-008	22-18	63116-004	27A-18	63116-050	27A-19
63070-006	23-3	63071-009	22-19	63116-006	25-18	63116-051	25-21
63070-006	23A-3	63071-010	22-20	63116-006	26-45	63116-051	27-38
63070-006	23B-3	63071-011	22-21	63116-006	27-34	63116-051	27A-21
63070-007	22-6	63071-012	22-22	63116-006	27A-17	63116-052	25-19
63070-007	22A-6	63071-012	23-27	63116-012	25-20	63116-052	26-44
63070-007	23-5	63071-012	23A-22	63116-012	26-49	63116-052	27A-16
63070-007	23A-5	63071-012	23B-22	63116-012	27A-22	63116-053	25-19
63070-007	23B-5	63071-013	22-23	63116-013	25-20	63116-053	26-44
63070-011	22-4	63071-017	23-28	63116-014	25-21	63116-053	27-33
63070-011	22A-4	63071-017	23A-23	63116-015	25-21	63116-053	27A-16
63070-011	23-4	63071-017	23B-23	63116-017	25-22	63116-058	25-21
63070-011	23A-4	63071-018	23-28	63116-017	26-48	63116-058	27-38
63070-011	23B-4	63071-018	23A-23	63116-019	25-16	63116-058	27A-21
63070-014	22A-5	63071-018	23B-24	63116-019	26-46	63116-059	25-22
63070-015	22-2	63071-019	22-23	63116-019	27-36	63116-060	25-22
63070-015	22A-2	63072-000	22-25	63116-019	27A-19	63116-061	25-20
63070-015	23-2	63072-000	22A-12	63116-021	25-20	63116-061	27A-22
63070-015	23A-2	63072-004	22A-12	63116-021	26-49	63116-062	25-20
63070-015	23B-2	63073-000	22-36	63116-023	25-17	63116-063	25-20
63070-016	22-1	53073-000	23B-15	63116-023	26-47	63116-063	26-49
63070-016	22A-1	63073-002	22-36	63116-024	25-18	63116-063	27A-22
63070-016	23-1	63073-002	23B-15	63116-024	26-45	63116-064	25-20
63070-016	23A-1	63076-000	22-7	63116-026	25-19	63116-065	25-20
63070-016	23B-1	63077-000	22-7	63116-026	26-44	63116-065	27A-22
63070-029	22-2	63078-008	15-41	63116-027	25-19	63116-070	25-22
63070-029	22A-2	63080-000	69-1	63116-027	26-44	63116-071	25-21
63070-029	23-2	63081-000	8-19	63116-028	25-21	63116-074	25-21
63070-029	23A-2	63082-000	18-25	63116-029	25-21	63116-075	25-21
63070-029	23B-2	63085-000	64-19b	63116-031	25-16	63116-075	27-38
63070-030	22-1	63085-000	66-60b	63116-031	26-46	63116-075	27A-21
63070-030	22A-1	63086-000	64-19c	63116-033	25-20	63116-076	25-21
63070-030	23-1	63086-000	66-60c	63116-033	26-49	63116-076	27-38
63070-030	23A-1	63087-000	57-36	63116-034	25-22	63116-077	25-21
63070-030	23B-1	63089-000	60-12	63116-034	26-48	63116-078	25-21
63070-041	23A-2	63092-000	62-7	63116-035	25-20	63116-078	27-38
63070-041	23B-2	63093-000	62-6	63116-035	26-49	63116-078	27A-21
63070-042	23A-1	63096-000	18-24	63116-037	25-19	63116-083	25-20
63070-042	23B-1	63097-000	92-21	63116-037	26-44	63116-083	26-49
63070-043	23A-3	63101-000	68-22	63116-037	27-33	63116-084	26-49
63070-043	23B-3	63104-003	25-45	63116-037	27A-16	63116-087	25-22
63070-044	23A-3	63106-002	25-40	63116-038	25-19	63116-087	26-48
63070-044	23B-3	63106-007	25-40	63116-038	26-44	63116-088	25-22
63070-045	23A-2	63106-007	26-65	63116-038	27-33	63116-088	26-48

PIPER PARTS CATALOG

Part Number	Figure and Index No.	Part Number	Figure and Index No.	Part Number	Figure and Index No.	Part Number	Figure and Index No.
63116-091	25-21	63116-133	27A-18	63139-004	28-19	63142-044	27-48
63116-091	27-38	63116-134	26-46	63139-005	28-19	63142-045	26-20
63116-092	25-21	63116-134	27-36	63139-006	28-33	63142-046	26-21
63116-092	27-38	63116-134	27A-19	63139-007	28-33	63142-047	27-44
63116-093	25-18	63116-135	27-38	63139-009	28-19	63142-047	27A-33
63116-093	26-45	63116-136	26-44	63139-010	28-19	63142-048	27-45
63116-093	27-34	63116-136	27-33	63139-011	28-33	63142-048	27A-34
63116-093	27A-17	63116-136	27A-16	63139-012	28-33	63142-050	26-21
63116-094	25-17	63116-137	26-44	63139-013	28-20	63142-051	27-45
63116-094	26-47	63116-137	27-33	63140-002	25-27	63142-051	27A-34
63116-094	27-35	63116-137	27A-16	63140-003	25-28	63142-055	26-20
63116-094	27A-18	63116-138	27-38	63140-004	25-29	63142-055	27-44
63116-095	25-16	63116-138	27A-21	63142-002	25-30	63142-056	26-22
63116-095	26-46	63116-139	26-49	63142-002	26-22	63142-056	27-43
63116-095	27-36	63116-139	27-39	63142-002	27-43	63142-056	27A-32
63116-095	27A-19	63116-140	27-37	63142-002	27A-32	63144-000	25-11
63116-096	27-38	63116-142	27-37	63142-003	25-31	63144-000	26-15
63116-096	27A-21	63116-144	27-37	63142-004	25-32	63144-000	27-11
63116-097	25-19	63116-147	27A-21	63142-005	25-33	63144-000	27A-7
63116-097	25-21	63116-148	27A-20	63142-006	25-34	63149-002	22-48
63316-097	26-44	63116-149	27A-22	63142-007	25-35	63149-002	26-51
63116-097	27-33	63116-150	26-49	63142-008	25-36	63149-003	22-49
63116-097	27A-16	63116-150	27A-22	63142-008	27-46	63149-004	22-50
63116-098	25-19	63116-155	26-48	63142-008	27A-35	63149-005	22-51
63116-098	26-44	63116-158	26-49	63142-009	25-37	63149-006	22-48
63116-098	27-33	63116-159	27A-40	63142-009	26-18	63149-006	26-51
63116-098	27A-16	63116-160	27A-40	63142-010	25-38	63149-007	22-49
63116-102	25-21	63116-161	27A-40	63142-010	26-18	63149-008	22-50
63116-102	27-38	63116-162	27A-40	63142-011	25-39	63149-009	22-51
63116-102	27A-21	63117-000	22-47	63142-011	26-19	63149-010	22-48
63116-103	25-20	63117-001	22-47	63142-013	25-31	63149-010	23-40
63116-103	26-49	63118-000	25-23	63142-013	26-20	63149-010	26-51
63116-103	27A-22	63118-000	26-12	63142-013	27-44	63149-011	22-49
63116-104	25-22	63119-000	25-24	63142-013	27A-33	63149-011	23-40
63116-105	25-20	63125-000	22-52	63142-014	25-33	63149-012	22-50
63116-105	27A-22	63125-002	22-52	63142-014	26-21	63149-012	23-41
63116-107	27-37	63125-003	22-52	63142-014	27-45	63149-013	22-51
63116-107	27A-20	63125-003	23-38	63142-014	27A-34	63149-013	23-41
63116-108	27-37	63125-004	22-52	63142-025	25-37	63149-014	22-48
63116-108	27A-20	63125-004	23-38	63142-025	27-48	63149-014	23-40
63116-109	27-37	63126-000	22-53	63142-025	27A-37	63149-014	26-51
63116-109	27A-20	63126-002	22-53	63142-026	25-38	63149-015	22-49
63116-123	26-49	63126-003	22-53	63142-026	27-48	63149-015	23-40
63116-123	27-39	63126-003	23-38	63142-026	27A-37	63149-016	22-50
63116-124	26-49	63126-004	22-53	63142-027	25-35	63149-016	23-41
63116-124	27-39	63126-004	23-38	63142-027	27A-36	63149-016	23A-38
63116-125	26-49	63130-000	25-25	63142-032	27-47	63149-016	23B-33
63116-125	27-39	63130-000	26-13	63142-032	27-48	63149-017	22-51
63116-126	26-49	63130-002	25-25	63142-035	26-17	63149-017	23-41
63116-126	27-39	63130-002	26-13	63142-036	26-17	63149-017	23A-38
63116-127	26-49	63130-002	27-56	63142-036	27-46	63149-017	23B-33
63116-127	27-39	63130-002	27A-39	63142-036	27A-35	63149-018	22-50
63116-128	26-49	63131-000	25-26	63142-038	27-44	63149-019	22-51
63116-128	27-39	63131-000	26-14	63142-038	27A-33	63149-020	23A-38
63116-129	26-49	63131-003	25-26	63142-039	27-44	63149-020	23B-33
63116-129	27-39	63131-003	26-14	63142-039	27A-33	63149-021	23A-38
63116-130	27-37	63131-007	25-26	63142-040	27-45	63149-021	23B-33
63116-132	26-45	63131-008	25-26	63142-040	27A-34	63150-000	24-79
63116-132	27-34	63131-008	26-14	63142-042	27A-36	63150-004	24-79
63116-132	27A-17	63131-010	25-26	63142-043	27-47	63151-002	24-81
63116-133	26-47	63131-010	26-14	63142-043	27-48	63151-003	24-81
63116-133	27-35	63133-000	68-25	63142-043	27A-37	63152-000	24-61

PIPER PARTS CATALOG

Part Number	Figure and Index No.	Part Number	Figure and Index No.	Part Number	Figure and Index No.	Part Number	Figure and Index No.
63152-000	30-48	63201-000	56-71	63295-003	79-10	63356-000	47-9
63153-000	25-81	63203-000	56-69	63295-004	79-10	63357-000	46-20
63153-000	26-16	63206-000	18-24	63295-005	79-10	63357-000	47-10
63154-002	16-45	63207-000	20-24	63297-000	88-17	63358-000	46-21
63154-002	17-10	63207-000	21-27	63300-008	33-35	63361-002	49-13
63154-003	16-45	63208-000	20-8	63307-000	37-24	63361-003	49-14
63154-003	17-10	63209-000	20-27	63308-000	37-63	63365-000	49-15
63155-000	16-44	63210-000	20-29	63310-000	37-46	63366-000	49-20
63156-000	22-54	63211-000	20-9	63311-000	37-45	63367-000	49-16
63156-002	22-54	63211-000	20-27	63311-003	37-48	63370-004	37-60
63156-003	22-54	63211-000	20-29	63312-000	37-28	63370-004	43-6
63156-003	23-39	63211-000	21-8	63312-000	37-44	63370-005	37-60
63156-004	22-54	63211-000	97-2	63312-002	37-28	63370-005	43-6
63156-004	23-39	63212-000	18-11	63314-000	37-42	63373-000	43-7
63157-000	16-32	63212-004	18-11	63315-000	37-41	63374-000	43-5
63163-000	25-56	63215-000	56-69	63320-000	45-19	63374-001	43-5
63163-000	27-57	63218-000	10-34	63321-000	45-20	63377-000	43-1
63163-000	27A-69	63219-000	77-1	63322-000	45-21	63380-000	43-2
63164-000	25-55	63220-000	10-37	63322-000	46-1	63383-000	33A-4
63164-000	26-67	63227-000	25-47	63322-001	45-22	63391-000	76-10
63164-000	27-58	63227-001	25-47	63322-001	46-2	63391-002	76-11
63164-000	27A-70	63229-000	25-48	63323-000	45-23	63391-003	76-10
63164-001	25-55	63229-002	25-48	63323-000	46-3	63392-000	50C-15
63164-001	26-67	63229-002	26-24	63324-000	45-25	63392-000	50D-2
63164-001	27-58	63229-002	27-53	63324-000	46-4	63392-001	50C-16
63164-001	27A-70	63229-002	27A-41	63324-004	46-4	63392-001	50D-2
63167-002	25-59	63237-000	60-9	63324-004	47-5	63393-000	50C-17
63167-003	25-52	63237-004	60-11	63325-000	45-26	63393-000	50D-3
63168-000	25-53	63237-005	60-11	63325-000	46-5	63393-001	50C-18
63168-002	25-53	63243-002	60-15	63327-000	33-31	63393-001	50D-3
63169-000	25-4	63243-002	61-11	63327-002	33-34	63395-000	50B-9
63170-000	25-14	63244-000	62-1	63327-003	33-34	63396-000	50B-2
63171-000	25-5	63244-002	62-1	63327-004	33-31	63398-000	50A-14
63172-000	25-15	63246-000	57-24	63327-008	34-6	63398-001	50A-14
63173-002	25-54	63246-004	57-24	63327-009	34-7a	63404-000	80-10
63179-000	25-24	63246-004	57A-17	63327-010	33-31	63404-000	81-16
63179-008	25-24	63253-000	73B-5	63327-011	33-34	63407-000	56-70
63180-002	28-20	63258-000	73B-4	63327-022	34-45	63408-000	16-52
63180-003	28-33	63259-000	25-58	63327-023	34-43	63408-000	17-12b
63181-000	28-3	63259-000	27-42	63329-004	33-28	63419-000	82-3
63182-000	28-4	63259-000	27A-25	63329-004	33A-1	63419-000	83-3
63182-002	28-4	63260-000	25-42	63329-006	33A-24	63420-000	82-2
63182-003	28-4	63260-000	26-26	63329-008	33-28	63420-003	82-2
63185-002	25-54	63260-006	25-42	63329-008	33A-1	63420-005	82-2
63185-002	27-41	63262-000	73B-3	63332-003	37-5	63420-008	82-2
63185-002	27A-24	63263-000	64-22	63332-003	37-12	63422-000	51-95
63185-003	25-54	63264-000	50-13	63332-005	37-6	63423-000	10-6
63185-003	27-41	63275-000	10-22	63338-000	44-1	63423-004	10-6
63185-003	27A-24	63276-000	82-10	63339-000	44-3	63423-004	11-6
63185-006	27-41	63277-000	82-12	63339-001	44-3	63425-000	66-3
63185-006	27A-24	63278-000	16-48	63339-002	44-4	63426-000	16-25
63186-002	50-32	63284-000	10-2	63340-000	44-7	63426-000	16-25
63186-004	44-2	63284-002	10-2	63340-001	44-7	63427-000	62-10
63186-006	56-11a	63285-000	10-6a	63341-000	44-6	63428-002	68-17
63186-012	96-7	63286-000	13-66	63342-000	44-8	63428-003	68-17
63186-021	50-31	63287-000	13-64	63353-000	46-6	63428-004	68-17
63186-033	44-5	63288-000	13-65	63354-000	40-40	63428-005	68-17
63187-006	24-79	63293-002	12-43	63354-000	44-35	63428-006	68-17
63187-007	24-79	63293-002	25-58	63355-006	46-10	63428-007	68-17
63187-011	24-79	63293-002	27-42	63355-009	46-10	63428-008	68-17
63187-012	24-79	63293-002	27A-25	63355-009	47-8	63428-009	68-17
63189-000	16-49	63295-002	79-10	63356-000	46-19	63428-010	68-17

PIPER PARTS CATALOG

Part Number	Figure and Index No.	Part Number	Figure and Index No.	Part Number	Figure and Index No.	Part Number	Figure and Index No.
63428-011	68-17	63479-000	54-55	63561-000	50C-2	63603-000	64-1
63428-013	32B-17	63483-000	37-59	63561-003	50C-2	63603-008	64-2
63428-014	68-17	63483-000	39-17	63561-004	50C-2	63603-013	64-3
63428-015	68-17	63484-000	37-2	63561-005	50D-12	63603-014	64-3
63428-016	68-17	63484-000	39-38	63562-000	50C-3	63603-017	64-3
63428-017	32B-17	63485-000	48-13	63562-000	50D-13	63603-018	64-3
63430-000	62-11	63485-001	48-13	63563-000	50C-4	63603-019	64-1
63431-000	62-5	63485-002	48-13	63563-000	50D-20	63603-026	64-2a
63433-000	62-2	63485-003	48-13	63564-000	50C-5	63605-000	62-16
63436-000	10-4	63486-000	57-33	63564-000	50D-21	63605-000	63-12
63436-000	11-4	63489-000	46-1	63565-002	50C-6	63609-000	62-3
63436-001	10-4	63492-000	62-17	63565-002	50D-22	63610-000	62-1
63436-001	11-4	63498-000	51-19	63566-000	50C-7	63611-000	62-2
63441-000	62-1	63500-000	50-1	63566-001	50C-7	63612-000	62-7
63443-000	28-20a	63500-000	50A-1	63566-002	50C-7	63612-006	62-7
63446-000	57-22	63500-008	50-1	63566-002	50D-17	63612-009	62-7
63451-000	82-16	63500-008	50A-1	63566-002	50D-18	63612-011	62-7
63455-000	82-14	63501-000	50A-2	63566-003	50C-7	63613-000	62-6
63455-000	83-12	63501-003	50A-2	63566-003	50D-17	63614-000	62-8
63456-000	82-9	63502-000	50A-3	63566-003	50D-18	63614-005	62-8
63456-000	82-11	63503-000	50A-5	63567-003	50C-8	63615-000	62-9
63456-000	83-10	63504-000	50A-6	63567-003	50D-19	63615-004	62-9
63457-003	82-5	63505-000	50A-7	63568-000	50C-9	63616-000	62-11
63458-000	82-4	63506-000	50A-8	63569-000	50C-10	63616-009	62-11
63458-002	82-4	63507-000	50A-9	63569-000	50D-14	63617-000	62-10
63458-005	82-4	63507-001	50A-9	63570-000	50C-11	63617-003	62-10
63459-002	82-1	63508-000	50A-10	63570-000	50D-15	63617-011	62-10
63459-003	82-1	63509-000	50A-11	63571-000	50C-12	63617-014	62-10
63459-004	82-1	63510-000	50A-12	63571-000	50D-16	63617-015	62-10
63459-008	82-1	63511-000	50A-13	63572-000	50C-13	63618-000	64-21
63459-009	82-1	63511-001	50A-13	63572-000	50D-9	63619-008	64-14
63459-012	82-1	63512-000	50A-14	63573-000	50C-14	63621-000	62-12
63459-013	82-1	63512-001	50A-14	63573-000	50D-4	63621-002	62-12
63459-014	82-1	63513-000	50A-15	63573-001	50C-14	63631-000	56-9
63459-015	82-1	63514-006	50-4	63573-001	50D-4	63632-006	56-11
63459-016	82-1	63515-000	50A-17	63574-000	50C-15	63632-007	56-11
63459-017	82-1	63517-000	50-14	63574-001	50C-16	63633-002	30-20
63459-019	82-1	63530-000	77-90	63574-002	50C-17	63633-002	31-23
63460-000	50-3	63530-000	78-49	63574-003	50C-18	63633-003	30-20
63460-000	50C-1	63540-000	50-2	63575-000	50C-19	63633-003	31-23
63460-000	50-3	63540-000	50B-1	63575-000	50D-5	63633-004	62-18
63460-000	50C-1	63540-002	50-2	63575-002	50D-5	63633-005	56-32
63460-002	50-3	63540-002	50B-1	63584-010	50-6	63633-007	30-1
63460-002	50C-1	63541-000	50-5	63585-000	50-7	63633-007	31-42
63462-000	10-2	63542-000	50B-2	63585-001	50-7	63633-007	31A-14
63462-002	10-2	63542-002	50B-2	63586-000	50-9	63633-007	31B-15
63462-003	10-2	63543-000	50B-3	63586-001	50-9	63633-008	30-24
63464-000	48-6	63544-000	50B-4	63587-000	50-10	63633-008	31B-32
63465-000	4-36	63545-000	50B-5	63587-001	50-11	63633-009	30-3
63465-000	49-58	63546-000	50B-6	63588-000	50-12	63633-010	30-1
63466-000	46-2	63550-000	50B-8	63589-000	50-6	63633-013	52-106
63466-000	47-4	63551-000	50B-9	63591-000	60-19	63633-014	10-35
63468-000	48-7	63559-000	88-2	63594-000	48-5	63633-014	31A-16
63469-000	48-8	63560-000	50-3	63594-001	48-5	63633-015	10-35
63469-000	48-8a	63560-000	50C-1	63595-000	2-9	63633-015	31A-17
63469-001	48-8a	63560-002	50-8	63596-000	8-22	63633-018	31-42
63469-001	48-9	63560-002	50C-20	63600-024	33-24	63633-018	66-5
63470-000	48-10	63560-002	50D-23	63600-024	56-1	63633-019	31-41
63470-001	48-27	63560-003	50C-21	63600-028	33-24	63633-019	31A-15
63474-000	48-11	63560-003	50D-24	63600-028	56-1	63633-020	66-7
63478-000	48-12	63560-006	50-3	63601-010	56-31c	63633-021	31-43
63479-000	53-7	63560-006	50C-1	63601-013	56-31	63633-023	51-96

PIPER PARTS CATALOG

Part Number	Figure and Index No.	Part Number	Figure and Index No.	Part Number	Figure and Index No.	Part Number	Figure and Index No.
63633-023	51-109	63656-000	34-39	63751-000	16-32	63835-000	52-23
63633-023	52-106	63656-002	33-13	63753-000	16-32	63837-000	51-24
63633-023	52-112	63656-002	34-82	63755-000	16-32	63837-000	52-24
63633-023	53-55	63659-000	56-56	63757-000	16-32	63837-000	53-68
63633-024	31-42	63666-002	60-1	63760-003	66-30	63838-000	51-25
63633-024	66-5	63670-000	66-52	63760-004	57-2	63838-000	52-25
63633-025	10-35	63672-000	56-79	63765-000	10-7	63838-000	53-69
63633-026	31-42	63674-000	56-13	63765-002	10-7	63839-000	52-26
63633-027	31-41	63679-000	64-20	63765-003	10-7	63839-002	52-26
63633-029	31-23	63680-000	56-31	63766-000	16-55	63839-003	51-26
63633-033	31A-15	63684-004	56-30	63766-000	17-47	63840-000	52-30
63633-037	31-43	63684-004	57-20	63778-000	80-2b	63840-002	51-30
63633-038	31-41	63684-004	57A-13	63779-000	76-18	63845-000	52-20
63633-038	31A-15	63684-004	58-37	63781-000	76-9	63846-000	51-36
63633-039	30-20	63684-004	66-109	63782-003	76-17	63846-000	52-36
63633-040	31A-18	63690-000	64-25	63782-004	76-8	63848-000	52-39
63633-045	32-18	63693-000	62-2	63794-010	51-20	63849-000	51-89
63633-046	58-26	63693-003	62-2	63795-000	51-15	63849-000	52-95
63633-047	10-36	63694-000	33-24	63795-000	52-15	63858-000	68-8
63633-047	11-40	63694-000	56-1	63797-000	51-38	63859-000	68-9
63633-051	32-26	63699-000	62-15	63797-000	52-38	63861-000	69-1
63633-055	31A-18	63699-003	62-15	63798-000	51-18	63862-016	68-79
63633-056	31A-19	63701-000	56-17	63798-000	51-20	63862-017	68-78
63633-056	31B-17	63704-000	60-21	63798-000	52-18	63862-018	73B-14
63633-056	32-27	63705-002	60-6	63798-000	52-20	63862-136	68-78
63633-057	58-38	63705-003	60-7	63801-000	51-10	63862-137	68-79
63633-059	31A-18	63706-000	62-10	63801-000	52-10	63862-148	73B-14
63633-060	31A-16	63706-008	62-10	63802-000	51-11	63862-151	68-78
63633-061	31B-18	63706-009	62-10	63802-000	52-11	63868-000	69-3
63633-063	58-38	63707-000	62-1	63803-000	52-12	63871-000	91-14
63633-088	57-17	63709-000	62-11	63803-004	51-12	63872-000	92-9
63633-088	57A-24	63709-005	62-11	63803-004	52-12	63873-000	92-10
63633-089	31A-14	63709-008	62-11	63803-004	53-57	63875-005	68-26
63633-100	32B-31	63712-000	60-12	63803-004	55-25	63879-000	73-97
63633-104	51-109	63716-000	62-13	63806-000	51-13	63882-008	74-46
63633-123	32E-16	63717-000	56-4	63806-000	52-13	63882-009	77-82
63633-124	32E-16	63718-000	56-3	63806-000	53-66	63882-009	78-35
63633-125	32E-16	63723-002	60-7	63807-000	51-14	63882-025	75-52
63633-126	32E-17	63723-003	60-6	63807-000	52-14	63882-026	42-8
63633-128	32E-18	63726-002	60-2	63807-000	53-67	63882-027	42-9
63633-129	32E-18	63726-004	60-3	63822-000	26-52	63882-029	42-27
63633-130	32E-18	63732-000	56-36	63823-000	52-15	63882-031	31A-46
63633-136	10-46	63735-000	60-16	63824-000	52-16	63882-031	31B-19
63633-136	11-44	63740-002	49-40	63824-000	53-58	63882-031	32-49
63633-148	32E-16	63740-003	49-41	63824-003	55-26	63882-035	84-10
63633-150	32E-16	63740-004	49-42	63824-006	53-58	63885-000	91-3
63633-151	32E-18	63744-002	49-39	63824-008	55-26	63885-005	91-3
63633-154	32E-18	63744-006	26-34	63824-010	51-16	63888-000	73B-10
63635-000	56-17	63744-009	22-30	63825-000	51-17	63890-002	73B-6
63636-000	56-18	63744-009	23-19	63825-000	52-17	63897-006	32A-28
63637-000	56-19	63744-009	23A-14	63825-000	53-59	63900-007	28-1
63637-002	56-19	63744-009	23B-10	63825-003	55-27	63900-010	77-5
63639-000	64-20	63744-011	42-6	63825-006	53-59	63900-011	39-39
63642-002	60-16	63744-012	42-7	63825-006	55-27	63900-012	77-6
63642-003	60-17	63745-000	62-11	63825-008	51-17	63900-013	77-7
63645-000	60-18	63745-004	62-11	63826-000	52-18	63900-014	63-13
63646-000	60-19	63750-000	64-1	63827-000	51-19	63900-016	77-9
63652-002	60-10	63750-002	64-3	63827-000	52-19	63900-019	2-47
63652-004	60-9	63750-003	64-3	63832-000	25-78	63900-019	77-85
63652-005	60-9	63750-006	64-1	63832-000	27-89	63900-020	2-48
63655-000	56-35	63750-007	64-3	63831-000	51-84	63900-021	77-8
63656-000	33-47	63750-008	64-3	63834-000	52-89	63900-021	77-10

PIPER PARTS CATALOG

Part Number	Figure and Index No.	Part Number	Figure and Index No.	Part Number	Figure and Index No.	Part Number	Figure and Index No.
63900-024	28-10	63900-121	59-24C	63901-027	57A-26	63904-020	73B-18
63900-024	28A-36	63900-121	67A-13	63901-027	66-13	63904-021	73B-17
63900-024	29-11	63900-122	35-21	63901-029	48-26	63904-024	5-46
63900-025	20-13	63900-130	38-12	63901-030	84-14	63904-025	32D-10
63900-026	74-68	63900-131	46-26	63901-036	58-16	63904-026	32D-11
63900-027	77-11	63900-131	47-28	63901-038	54-12	63904-027	32D-12
63900-027	77-48	63900-133	55-91h	63901-039	54-13	63904-029	19-13
63900-028	30-13	63900-145	28A-34	63901-040	54-13a	63904-029	19A-15
63900-028	31-25	63900-149	28A-35	63901-041	54-14	63904-029	19B-16
63900-029	77-12	63900-159	39-40	63901-041	84-15	63904-056	32A-20
63900-030	3-11	63900-160	78-53	63901-043	57A-23	63904-060	32A-20
63900-031	42-36	63900-161	78-54	63901-043	58-25	63904-063	32B-32
63900-031	49-21	63901-002	45-24	63901-044	55-29	63904-064	32B-32
63900-031	74-26	63901-003	45-27	63901-045	54-13a	63904-066	32D-11
63900-031	74-47	63901-004	45-28	63901-046	54-11	63904-070	32D-10
63900-031	75-29	63901-005	52-40	63901-069	56-17	63904-071	32A-23
63900-035	76-25	63901-006	52-41	63901-069	56-18	63904-072	32A-20
63900-035	76-26	63901-007	51-42	63901-077	51-4	63904-080	32A-23
63900-037	74-27	63901-007	52-42	63901-077	52-4	63904-089	32E-19
63900-037	75-30	63901-007	53-51	63901-077	53-53	63906-002	49-33
63900-041	33-54	63901-007	55-29	63901-077	55-11	63907-000	20-1
63900-041	34-49	63901-008	52-43	63901-163	45-24	63909-000	13-21
63900-044	25-49	63901-009	46-22	63901-163	56-17	63910-000	33-43
63900-044	26-25	63901-009	47-6	63901-163	56-18	63910-002	34-35
63900-044	27-54	63901-009	48-2	63902-002	45-29	63911-000	33-44
63900-044	27A-63	63901-010	52-23	63902-003	56-40	63911-000	34-36
63900-046	12-29	63901-011	51-64	63902-003	57-48	63912-000	33-45
63900-047	12-28	63901-011	52-40	63902-003	66-93	63912-000	34-37
63900-048	12-30	63901-011	52-72	63902-004	56-41	63913-003	52-44
63900-050	24-91	63901-012	51-40	63902-005	30-35	63913-003	54-15
63900-050	24A-49	63901-012	51-43	63902-005	31-6	63913-005	18-18
63900-053	28-2	63901-012	52-23	63902-006	30-10	63913-006	19-11
63900-053	28A-34	63901-012	52-40	63902-006	31-26	63913-006	19A-9
63900-054	28-30	63901-012	52-41	63902-007	30-43	63913-007	18-27
63900-054	25A-7	63901-012	53-47	63902-007	31-15	63913-007	19-10
63900-055	78-21	63901-013	52-43	63902-008	56-41	63913-007	19A-10
63900-056	78-20	63901-013	55-23	63902-008	57-50	63913-007	19B-11
63900-055	78-53	63901-014	51-112	63902-008	66-95	63913-008	18-17
63900-060	78-54	63901-014	52-40	63902-010	31-26	63913-010	46-23
63900-061	78-23	63901-014	52-115	63902-011	31-15	63913-010	47-7
63900-064	10-48	63901-014	53-45	63902-016	56-40	63913-011	51-44
63900-064	11-47	63901-014	54-48	63902-016	57-48	63913-011	52-44
63900-066	85-5	63901-015	51-64	63902-016	66-93	63913-013	56-26
63900-067	85-6	63901-015	53-54	63902-017	56-41	63913-014	51-92
63900-075	57B-41	63901-015	55-30	63902-017	57-50	63913-014	52-98
63900-075	57B-56	63901-016	66-12	63902-017	66-95	63913-015	52-99
63900-075	57C-55	63901-017	37-3	63902-018	30-10	63913-016	52-100
63900-075	59-64	63901-017	39-42	63902-018	30-35	63913-017	52-101
63900-085	38-37	63901-018	51-43	63902-018	31-6	63913-018	52-102
63900-085	38-11	63901-018	52-43	63902-019	30-43	63913-019	52-103
63900-085	38-14	63901-019	53-49	63902-020	31-26	63913-020	52-104
63900-096	58-24	63901-020	57-10	63902-025	32E-41	63913-021	52-99
63900-099	76-19c	63901-021	48-3	63902-026	32E-41	63913-021	52-102
63500-103	39-40	63901-021	48-26	63904-002	20-10	63913-023	52-102
63900-109	35-20	63901-021	84-13	63904-003	20-16	63913-024	52-101
63900-115	39-38	63901-022	48-4	63904-004	20-19	63913-024	55-24
63900-119	57B-54	63901-023	55-23	63904-006	73B-8	63913-025	51-115
63900-119	57B-55	63901-024	55-23	63904-006	73B-26	63913-025	52-22
63900-119	57B-56	63901-026	57A-22	63904-007	73B-9	63913-025	52-104
63900-119	57C-57	63901-026	66-11	63904-010	49-32	63913-025	53-46
63900-119	57C-55	63901-027	56-72	63904-011	20-10	63913-026	55-31
63900-120	34-20	63901-027	57-31	63904-019	73B-19	63913-026	57A-21

PIPER PARTS CATALOG

Part Number	Figure and Index No.	Part Number	Figure and Index No.	Part Number	Figure and Index No.	Part Number	Figure and Index No.
63913-026	58-11	63914-004	30-36	63940-005	26-28	65224-005	26-7
63913-028	18-10	63914-004	31-7	63940-006	26-28	65224-006	25-1
63913-028	19A-11	63914-005	30-11	63942-000	2-46	65224-006	26-7
63913-028	19B-12	63914-005	31-27	63942-001	2-46	65224-007	26-7
63913-029	66-9	63914-006	30-44	63947-000	15-30	65225-000	66-16
63913-030	66-10	63914-006	31-16	63949-000	25-75	65230-000	66-63
63913-032	20-30	63914-007	46-24	63949-000	26-53	65235-000	66-68
63913-034	20-4	63914-007	47-12	63949-000	27-90	65238-002	25-7
63913-034	21-3	63915-002	51-45	63949-002	25-76	65238-003	24-77
63913-035	20-31	63915-002	52-45	63949-002	26-54	65238-004	25-7
63913-035	21-10	63915-002	55-72	63949-002	27-91	65238-005	24-77
63913-037	20-5	63915-003	56-43	63949-003	25-77	65238-006	25-7
63913-037	21-4	63915-003	57-40	63949-003	26-55	65238-007	24-77
63913-037	97-9	63915-003	66-97	63949-003	27-92	65238-008	25-7
63913-040	51-93	63915-004	56-44	63950-003	16-46	65238-009	24-77
63913-040	52-101	63915-004	66-98	63950-004	16-47	65238-010	25-7
63913-040	52-104	63915-005	68-56	63954-000	51-77	65238-011	24-77
63913-040	53-48	63915-006	46-25	63954-000	52-77	65238-012	25-7
63913-041	53-50	63915-006	47-13	63954-000	53-102	65238-013	24-77
63913-042	57-30	63915-007	55-73	63954-000	54-73	65240-000	64-13a
63913-042	57A-27	63915-008	51-113	63954-000	55-96	65240-000	65-9
63913-044	18-12	63915-008	52-116	63964-000	56-54	65240-001	64-13a
63913-044	19-8	63915-009	67-7	63964-000	57-19	65240-001	65-9
63913-044	19A-12	63915-010	67-8	63976-024	54-32	65241-000	64-13b
63913-044	19B-13	63915-011	53-81	63977-000	73B-11	65241-000	65-10
63913-046	66-9	63915-012	55-73	63980-000	92-1	65244-000	77-87
63913-047	18-12	63915-013	53-80	63983-000	92-2	65244-000	78-46
63913-047	19-9	63915-014	53-80	63984-002	92-3	65245-000	77-88
63913-047	19A-13	63915-014	54-28	63984-003	92-3	65245-000	78-50
63913-047	19B-14	63915-017	33-11	63984-004	92-3	65246-000	77-89
63913-048	67-15	63915-018	51-45	63984-005	92-3	65246-000	78-37
63913-049	19A-14	63915-018	55-72	63985-000	92-8	65247-000	77-90
63913-049	19B-15	63915-020	57C-45	63994-000	24-60	65248-000	77-91
63913-050	18-28	63915-020	67A-30	63994-000	30-47	65248-000	78-42
63913-050	18-28a	63915-021	57B-34	63994-000	31-32	65249-000	77-92
63913-056	21-11	63916-002	56-45	63994-002	24-60	65249-000	78-38
63913-057	18-24	63916-002	57-52	63994-002	30-17	65250-000	77-93
63913-059	21-9	63916-002	66-105	63994-003	24-60	65250-000	78-3
63913-063	18-24	63918-000	16-41	63994-003	31-32	65251-000	77-94
63913-064	58-52	63921-000	16-40	63994-004	24-60	65251-000	78-47
63913-066	84-41	63922-000	16-25	63994-004	31-32	65252-000	77-95
63913-068	97-8	63922-002	16-25	65003-037	83-13A	65252-000	78-39
63913-069	57C-31	63925-000	33-46	65205-002	16-46	65253-000	77-96
63913-069	67A-42	63925-000	34-38	65208-000	66-31	65253-000	78-40
63913-070	21-21	63927-000	10-47	65208-003	57-3	65254-000	77-97
63913-074	56-26	63927-000	11-46	65208-003	66-31	65254-000	78-27
63913-081	19-12	63930-000	25-43	65209-000	66-30	65255-000	77-98
63913-081	19A-11	63930-000	26-27	65210-000	66-110	65256-000	77-99
63913-081	19B-12	63933-000	37-57	65211-000	13-53	65257-000	77-100
63913-104	21-10	63935-002	30-31	65212-000	13-54	65259-000	66-73
63913-105	21-9	63936-000	51-37	65216-000	79-13	65260-000	66-74
63913-122	97-3	63936-000	52-37	65219-000	25-83	65261-000	66-2
63913-122	97-9	63937-000	52-38	65219-000	25-86	65262-000	66-65
63913-193	52-82	63940-000	25-79	65219-000	26-74	65263-000	66-66
63913-193	53-98	63940-000	26-28	65219-000	27-73	65265-000	6-9
63913-193	54-78	63940-002	25-79	65219-000	27A-61	65265-001	6-9
63913-193	55-94	63940-002	26-28	65221-000	66-14	65269-002	27-60
63913-194	51-74a	63940-003	25-79	65224-002	25-1	65269-002	27A-43
63913-194	52-82a	63940-003	26-28	65224-002	26-7	65273-000	28-33a
63913-194	53-99	63940-004	25-79	65224-003	25-1	65276-000	33A-29
63913-194	54-78a	63940-004	26-28	65224-004	25-1	65276-002	33A-29
63913-194	55-94a	63940-005	25-79	65224-004	26-7	65280-000	33A-8

PIPER PARTS CATALOG

Part Number	Figure and Index No.	Part Number	Figure and Index No.	Part Number	Figure and Index No.	Part Number	Figure and Index No.
65281-000	55-28	65304-000	25-11	65342-000	50-2	65419-000	66-45
65286-002	28-36	65304-000	26-69	65342-000	50B-1	65420-000	66-44
65286-003	28-36	65304-000	27-29	65342-002	50-2	65421-000	16-32
65286-004	28-36	65304-000	27A-44	65342-002	50B-1	65422-000	31-9
65286-005	24-74	65304-000	28-34	65343-000	15-35	65422-000	31A-8
65286-005	25-9	65307-000	24-5	65344-000	55-75	65426-000	12-37
65286-005	26-72	65308-002	24-69	65345-003	50-4	65426-001	12-37
65286-005	27-32	65308-003	24-69	65347-002	24-44	65428-000	13-53
65286-005	27A-47	65308-004	24-69	65355-000	2-13	65429-000	55-12
65286-006	24-74	65308-005	24-69	65355-000	6-1	65429-002	51-6
65286-006	25-9	65308-006	24-69	65355-001	2-13	65429-002	52-6
65286-006	26-72	65308-007	24-69	65355-001	6-1	65429-002	53-73
65286-006	27-32	65308-008	24-69	65356-000	24-12	65431-000	8-43
65286-006	27A-47	65308-009	24-69	65359-000	68-2	65431-000	9-41
65286-007	24-74	65308-010	24-69	65364-003	55-16	65432-000	33A-29a
65286-007	25-9	65309-002	25-14	65364-004	55-15	65435-000	67-10
65286-007	26-72	65309-003	25-14	65364-004	55-17	65438-000	57C-29
65286-007	27-32	65309-004	25-14	65364-005	55-18	65438-000	67-16
65286-007	27A-47	65309-005	25-14	65365-002	55-19	65438-000	67A-43
65286-008	24-74	65309-006	25-14	65365-003	55-20	65439-002	24-59
65286-008	26-72	65309-007	25-14	65365-004	55-21	65439-002	30-52
65286-008	27-32	65311-002	25-59	65366-000	55-22	65439-002	31-35
65286-008	27A-47	65311-002	27-19	65368-000	33-36	65439-003	24-59
65287-002	24-59	65311-003	25-52	65369-000	37-57	65439-003	30-52
65287-002	31-35	65311-003	27-22	65370-000	25-84	65439-003	31-35
65287-003	24-59	65312-000	16-48	65372-000	68-61	65439-004	24-59
65287-003	31-35	65313-000	16-51	65376-000	66-15	65439-004	30-52
65287-004	24-59	65318-000	30-61	65382-000	14-22	65439-004	31-35
65287-004	31-35	65318-000	31-28	65383-000	14-22	65439-005	24-59
65288-002	25-4	65318-000	31A-22	65384-000	8-42	65439-005	30-52
65288-003	25-4	65318-000	31B-20	65384-000	9-40	65440-003	49-12
65288-004	25-4	65318-000	32-35	65388-017	49-57	65440-007	24-3
65288-005	25-4	65319-004	37-39	65388-018	49-57	65440-007	24A-3
65288-006	25-4	65324-002	25-53	65388-034	6-7	65442-000	66-51
65288-007	25-4	65324-003	25-53	65388-035	6-7	65442-003	60-15
65289-000	55-85	65324-003	27-40	65389-000	55-80	65443-003	8-12
65290-002	25-15	65324-003	27A-23	65392-000	55-76	65443-004	8-21
65290-003	25-15	65324-004	25-53	65395-000	66-66	65443-004	10-1
65290-004	25-15	65324-004	27-40	65396-000	55-89	65444-000	8-1
65290-005	25-15	65324-004	27A-23	65397-000	25-85	65444-002	8-6
65290-006	25-15	65324-005	25-53	65398-000	66-64	65448-000	16-32
65290-007	25-15	65324-006	27-40	65399-000	66-66a	65451-002	67-5
65291-000	66-56	65324-005	27A-23	65401-000	55-81	65453-000	55-39
65291-003	64-13	65324-006	27-40	65402-000	66-63	65454-000	55-40
65291-003	65-4	65324-006	27A-23	65403-000	57-23	65455-000	64-29
65291-003	66-58	65328-000	25-24	65403-000	57A-16	65455-000	66-8
65291-004	64-11	65328-002	25-24	65403-000	66-65	65458-002	10-23
65291-004	65-2	65331-000	43-1	65406-007	25-82	65458-003	10-24
65293-000	49-44	65331-006	43-1	65406-008	25-82	65458-004	10-25
65294-002	25-5	65332-000	43-2	65406-009	25-82	65458-005	10-41
65294-003	25-5	65332-002	43-2	65407-000	55-77	65458-006	10-41
65294-004	25-5	65333-000	92-9	65407-005	55-77	65459-000	13-54
65294-005	25-5	65333-000	93-12	65409-000	13-65	65461-006	55-86
65294-006	25-5	65333-004	93-13	65410-002	25-87	65461-007	55-86
65294-007	25-5	65338-002	24-70	65410-003	25-87	65461-015	55-86
65294-008	25-5	65338-003	24-70	65410-004	25-87	65461-019	55-86
65294-009	25-5	65338-004	24-70	65410-006	25-87	65465-000	66-16
65294-010	25-5	65339-002	25-6	65412-000	55-40	65466-000	67-24
65299-000	6-8	65339-003	25-6	65413-000	33A-4	65467-000	8-26
65299-001	6-8	65339-004	25-6	65414-000	13-54	65467-000	13-1
65300-000	50-6	65340-000	50B-9	65415-000	13-53	65467-002	8-28
65304-000	24-76	65341-000	50B-10	65418-000	66-47	65467-002	9-24

PIPER PARTS CATALOG

Part Number	Figure and Index No.	Part Number	Figure and Index No.	Part Number	Figure and Index No.	Part Number	Figure and Index No.
65472-000	66-16	65536-000	13-24	65591-000	2-12	65632-000	78-13
65475-002	25-5	65537-000	13-28	65591-000	7-1	65632-003	78-13
65475-003	25-5	65538-000	13-27	65592-000	7-2	65633-000	78-4
65475-004	25-5	65540-000	60-9	65592-001	7-2	65634-000	13-66
65476-000	8-1	65540-002	60-9	65593-001	7-15	65635-000	78-6
65476-002	8-6	65542-000	60-11	65594-001	7-14	65636-000	13-17
65478-000	56-70	65543-000	60-11	65595-001	7-18	65639-000	78-14
65480-000	62-1	65545-000	31-9	65600-000	8-26	65640-000	15-7
65481-000	24-5	65545-000	31A-8	65600-000	13-1	65642-002	22-36
65485-000	37-50	65546-000	25-23	65600-002	13-1	65642-003	22-36
65488-000	37-49	65546-000	26-12	65600-002	9-23	65642-004	22-37
65490-000	37-39	65546-000	27-51	65600-003	9-23	65642-005	22-38
65493-910	37-20	65546-000	27A-50	65600-003	13-1	65642-005	22A-15
65493-911	37-20	65546-004	26-12	65600-004	9-23	65642-009	22-18
65494-000	15-42	65547-000	10-2	65600-004	13-1	65642-009	22-19
65497-000	25-42	65549-003	68-17	65603-000	56-71	65642-010	22-16
65497-000	26-26	65550-002	16-37	65605-002	25-5	65642-011	22-17
65501-000	29-1	65550-003	16-38	65605-003	25-5	65642-012	22-21
65501-002	29-1	65550-004	16-38	65605-004	25-5	65642-012	22A-28
65501-003	29-1	65555-000	10-5	65610-002	25-15	65642-013	22-20
65501-004	29-1	65556-000	8-36	65610-003	25-15	65642-013	22A-28
65501-005	29-1	65556-000	9-30	65610-004	25-15	65642-014	22-14
65505-000	29-6	65556-002	8-36	65611-000	8-1	65642-015	22-15
65506-000	14-23	65556-002	9-30	65611-002	8-6	65642-016	22-23
65506-002	14-23	65557-000	15-25	65611-006	8-10	65642-016	22A-26
65511-000	14-16	65558-000	15-24	65611-006	9-18	65642-017	22-22
65513-000	26-36	65563-000	8-12	65611-007	8-7	65642-017	22A-27
65514-000	26-43	65563-002	8-21	65611-007	9-18	65642-018	22-12
65514-002	26-43	65563-002	10-1	65611-010	8-6	65642-018	22A-24
65514-003	26-43	65563-003	8-13	65611-011	8-1	65642-019	22-13
65514-004	26-43	65563-004	12-27	65612-002	25-14	65642-019	22A-25
65514-005	26-43	65563-004	22-46	65612-003	25-14	65643-000	22-44
65515-000	29-2	65563-005	12-27	65612-004	25-14	65643-000	22A-40
65515-002	29-2	65563-005	22-46	65612-005	25-14	65644-000	22-45
65515-003	29-2	65563-007	8-24	65612-006	25-14	65644-000	22A-41
65515-004	29-2	65563-007	9-19	65612-007	25-14	65649-000	72-3
65515-005	29-2	65563-007	12-1	65613-002	25-4	65654-000	76-6
65518-000	29-2a	65563-008	9-19	65613-003	25-4	65654-002	76-6
65519-000	29-5	65563-008	12-1	65613-004	25-4	65654-003	76-6
65520-000	26-63	65564-002	25-40	65613-005	25-4	65654-004	76-6
65520-000	29-14	65564-002	26-65	65613-006	25-4	65654-005	76-6
65522-000	57-36	65564-002	27-66	65613-007	25-4	65654-006	76-6
65524-000	88-2	65564-002	27A-60	65617-000	30-11	65659-000	22-39
65525-000	30-18	65567-000	24-40	65617-000	30-36	65660-000	22-40
65525-000	31-20	65570-000	12-44	65617-000	30-44	65661-000	22-41
65528-000	73-6	65570-001	12-44	65617-000	31-7	65661-002	22A-38
65530-000	26-1a	65571-000	10-14	65617-000	31-27	65664-000	25-71
65530-000	26-73	65571-000	11-1-7	65617-000	57-49	65664-000	27A-27
65530-000	26-84	65572-000	12-35	65617-000	66-94	65667-000	25-70
65531-000	88-25	65572-001	12-35	65618-000	57-51	65667-000	27-61
65533-000	13-52	65575-000	55-39	65618-000	66-96	65667-000	27A-42
65534-000	8-26	65576-000	55-40	65619-002	24-69	65668-000	24-99
65534-000	9-23	65577-000	55-41	65619-003	24-69	65668-002	24-99
65534-000	13-1	65578-000	55-36	65619-004	24-69	65670-002	25-1
65534-003	8-27	65578-003	55-36	65624-000	8-1	65670-002	27-1
65534-003	9-25	65586-004	7-13	65624-002	8-6	65670-002	27A-5
65534-004	8-28	65586-005	7-13	65626-000	25-72	65670-003	25-1
65534-004	9-24	65587-000	7-14	65626-000	27A-28	65670-003	27-1
65534-005	9-23	65588-000	7-2	65631-000	24-5	65670-003	27A-5
65534-005	13-1	65589-000	7-3	65631-004	24-15	65670-004	27-1
65534-006	9-23	65590-001	2-12	65631-005	24-16	65670-004	27A-5
65534-006	13-1	65590-001	7-1	65631-006	24-5	65670-009	27-1

PIPER PARTS CATALOG

Part Number	Figure and Index No.	Part Number	Figure and Index No.	Part Number	Figure and Index No.	Part Number	Figure and Index No.
65670-009	27A-5	65726-006	49-3	65782-000	22-28	65830-014	9-1
65671-000	28-3	65727-000	24-116	65782-000	23-18	65830-015	9-5
65671-002	28-2	65727-000	24A-54	65782-000	23A-13	65830-016	9-1
65671-003	28-3	65735-002	25-67	65782-000	23B-9b	65830-017	9-5
65671-004	28-3	65735-003	25-67	65784-000	85-16	65830-018	9-1
65672-005	26-8	65735-003	26-87	65797-005	20-2	65830-019	9-5
65672-005	27-62	65735-003	27-64	65797-005	21-1	65831-007	17-1
65672-005	27A-51	65735-003	27A-53	65798-000	23-13	65832-000	31A-24
65673-000	22-42	65735-004	25-67	65798-000	23B-8	65833-000	17-5
65673-002	22A-37	65735-005	25-66	65798-002	23-13	65834-000	17-6
65673-003	22A-37	65735-006	25-66	65798-002	23B-8	65835-000	17-3a
65674-005	25-26	65735-006	26-86	65798-003	23-13	65836-000	79-7
65674-005	26-14	65735-006	27-63	65798-003	23A-8	65839-003	17-9
65674-005	27-12	65735-006	27A-52	65798-004	23-13	65839-004	17-9
65674-005	27A-9	65735-007	25-66	65798-004	23A-8	65839-006	17-9
65674-006	25-26	65735-012	27-64	65799-000	24-65a	65845-000	10-2
65674-006	26-14	65735-013	27-63	65799-000	30-65	65845-002	10-2
65674-006	27-12	65735-013	27A-52	65799-000	31-54	65845-003	10-2
65674-006	27A-9	65735-018	26-87	65803-000	57-3	65845-004	10-2
65674-007	25-26	65735-018	27-64	65803-000	57A-4	65846-000	26-79
65674-007	26-14	65735-018	27A-53	65803-002	57-3	65846-000	27-13a
65674-007	27-12	65735-019	26-86	65804-000	57-37	65846-000	27A-10a
65674-007	27A-9	65735-019	27-63	65804-000	57A-5	65850-000	57B-1
65674-009	26-14	65735-019	27A-52	65804-004	57-37	65852-002	17-31
65674-009	27-12	65741-000	22-33	65805-000	57-2	65861-000	57A-29
65674-009	27A-9	65741-000	23-17	65805-000	57A-3	65862-000	17-10a
65674-011	27-12	65741-000	23A-12	65806-000	57-38	65863-000	17-12a
65674-011	27A-9	65741-000	23B-12	65810-000	66-47	65865-000	26-94
65674-013	27-12	65742-000	22-32	65811-000	66-44	65865-000	27-82
65674-013	27A-9	65742-000	23-16	65813-000	66-45	65865-000	27A-73
65674-015	26-14	65742-000	23A-11	65815-004	2-14	65866-000	26-93
65674-015	27-12	65742-000	23B-11	65815-004	55-108	65866-000	27-81
65674-015	27A-9	65756-000	55-41	65815-005	2-14	65866-000	27A-72
65675-000	22-43	65757-000	55-41	65815-005	55-108	65867-000	26-95
65675-000	22A-36	65761-002	28-40	65816-000	55-43	65867-000	27-83
65676-002	25-14	65761-003	28-40	65821-000	85-1	65867-000	27A-74
65676-003	25-14	65761-004	28-40	65821-002	85-1	65869-000	26-81
65676-004	25-14	65761-005	28-40	65826-000	22-25	65869-000	27-49
65677-002	25-4	65761-006	28-40	65826-000	23-12	65869-000	27A-75
65677-003	25-4	65761-007	28-40	65826-000	23B-7	65870-000	26-96
65677-004	25-4	65761-008	28-40	65826-003	22-25	65870-000	27-85
65688-000	44-3	65761-009	28-40	65826-003	23-12	65870-000	27A-76
65688-001	44-3	65761-010	28-40	65826-003	23B-7	65871-000	26-97
65688-002	44-4	65761-011	28-40	65826-005	23-12	65871-000	27-84
65688-003	44-4	65763-000	28-41	65826-005	23A-7	65871-000	27A-77
65690-000	4-7a	65763-001	28-41	65826-006	23-12	65879-000	28-33a
65690-001	4-7a	65764-002	28-40	65826-006	23A-7	65881-000	28-19
65699-000	27-2	65764-003	28-40	65827-000	56-55	65881-002	28-20
65699-000	27A-6	65764-004	28-40	65827-000	57-27	65881-003	28-33
65700-000	28-4a	65764-005	28-40	65830-000	9-1	65889-000	64-18
65700-006	28-4a	65764-006	28-40	65830-002	9-5	65889-000	65-16
65700-007	28-4a	65764-007	28-40	65830-003	9-6	65889-000	66-62
65704-000	28-4	65764-008	28-40	65830-004	9-1	65890-000	16-33
65704-002	28-4	65764-009	28-40	65830-005	9-5	65891-002	16-37
65715-003	50-24	65773-000	2-50	65830-006	9-1	65895-000	22-27
65715-004	50-22	65774-000	28-9	65830-007	9-5	65895-000	23-15
65717-000	28-19	65774-000	28A-33	65830-008	9-1	65895-000	23A-10
65717-002	28-20	65777-000	25-80	65830-009	9-5	65895-000	238-9a
65717-003	28-33	65778-000	56-10	65830-010	9-1	65896-000	22-26
65726-002	49-2	65779-000	16-40a	65830-011	9-5	65896-000	23-14
65726-003	49-2	65779-000	17-10b	65830-012	9-1	65896-000	23A-9
65726-005	49-3	65780-000	56-10	65830-013	9-5	65896-000	238-9

PIPER PARTS CATALOG

Part Number	Figure and Index No.	Part Number	Figure and Index No.	Part Number	Figure and Index No.	Part Number	Figure and Index No.
65896-002	22-26	66609-000	8-34	66684-008	24-69	66706-000	10-2
65896-002	23-14	66609-000	9-31	66684-009	24-69	66706-002	10-2
65896-002	23A-9	66609-000	64-15	66685-002	26-6	66706-003	10-2
65896-002	23B-9	66614-000	5-14	66685-003	26-6	66709-002	26-43
65898-000	4-30	66616-000	73B-15	66685-004	26-6	66709-003	26-43
65898-000	5-35	66618-000	33-21	66685-005	26-6	66709-004	26-43
65898-001	4-30	66618-002	33-21	66685-006	26-6	66709-005	26-43
65898-001	5-35	66618-003	33-21	66685-007	26-6	66709-006	26-43
65898-004	4-28	66620-000	3-16	66685-008	26-6	66709-008	26-43
65898-004	5-33	66621-000	3-14	66685-009	26-6	66709-009	26-43
65899-000	7-5	66623-000	3-12	66686-002	26-5	66709-010	26-43
66529-000	5-28	66623-001	3-12	66686-003	26-5	66709-011	26-43
66530-000	79-7	66630-000	56-3	66686-004	26-5	66709-012	26-43
66532-000	16-39	66632-000	68-11	66686-005	26-5	66710-016	26-10a
66532-000	17-10c	66634-002	66-120	66686-006	26-5	66710-016	27-87
66541-000	10-22	66634-002	67-9	66686-007	26-5	66710-016	27A-78
66541-000	11-24	66634-002	67A-32	66686-008	26-5	66710-017	24-68a
66546-000	80-30	66634-004	58-84	66686-009	26-5	66710-017	24A-9
66546-000	81-29	66634-010	66-120	66686-010	26-5	66710-021	4-68c
66547-000	64-4	66634-010	67-9	66686-011	26-5	66710-021	26-11a
66551-000	28-19	66634-010	67A-32	66686-012	26-5	66710-026	24-68c
66551-002	28-20	66635-000	59-33	66686-013	26-5	66710-026	27-88a
66551-003	28-33	66641-000	24-33	66686-014	26-5	66710-026	27A-79a
66551-004	28-19	66643-000	69A-9	66686-015	26-5	66710-044	24-68c
66551-005	28-20	66645-000	17-27	66686-016	26-5	66710-044	24A-10
66551-006	28-33	66647-000	24-104	66686-017	26-5	66710-044	26-11a
66580-002	68-16	66648-000	24-105	66687-002	26-50	66710-044	27-88a
66580-002	72-9	66652-000	24-62	66687-003	26-50	66710-044	27A-79a
66580-002	73-11	66652-009	24-62	66687-004	26-50	66711-002	26-1
66580-002	73B-23	66654-000	24-25	66687-005	26-50	66711-004	26-1
66582-000	4-27	66655-000	24-5	66687-006	26-50	66711-005	26-1
66582-001	4-27	66656-000	24-5	66687-008	26-50	66713-000	69A-10
66595-000	2-2	66656-002	24-5	66687-009	26-50	66713-000	70-11
66595-000	3-1	66657-000	24-5	66687-010	26-50	66722-000	62-10
66595-001	2-2	66657-002	24-5	66687-011	26-50	66724-000	17-5
66595-001	3-1	66657-003	24-5	66687-012	26-50	66725-000	17-6
66597-000	4-9	66658-000	79-7	66688-000	13-27	66728-000	14-25
66597-001	4-9	66659-000	79-1	66689-000	13-24	66729-000	14-26
66598-000	4-10	66661-000	82-5	66689-003	13-24	66730-000	14-24
66598-000	4-11	66662-000	56-1	66694-000	8-1	66734-003	17-1
66598-000	5-9	66662-000	57A-2	66694-002	8-6	66735-000	17-3
66598-000	5-10	66662-014	33-24	66694-003	8-10	66736-000	17-9
66598-001	4-10	66662-014	57A-2	66694-004	8-7	66744-000	69A-7
66598-001	4-11	66670-000	26-83	66694-005	8-1	66744-002	69A-7
66598-001	5-9	66676-003	51-110	66694-007	8-1	66746-000	69A-13
66598-001	5-10	66677-000	62-11	66694-008	8-6	66747-000	69A-19
66599-000	4-12	66679-000	8-37	66694-009	8-1	66748-000	69A-12
66599-001	4-12	66681-000	51-23	66694-010	8-6	66750-000	33-27a
66601-002	2-1	66682-002	26-4	66694-011	8-1	66751-000	85-18
66601-003	2-1	66682-003	26-4	66694-012	8-6	66757-000	85-7
66601-004	2-1	66682-004	26-4	66695-000	10-12h	66761-002	3-10
66601-005	2-1	66682-005	26-4	66695-000	17-70	66761-003	3-10
66601-006	2-1	66683-002	26-3	66696-000	17-54	66762-000	4-18
66601-007	2-1	66683-003	26-3	66699-000	8-12	66762-000	5-21
66602-000	2-4	66683-004	26-3	66699-002	8-21	66766-000	6-7
66602-000	4-1	66683-005	26-3	66699-002	10-1	66766-001	6-7
66602-001	2-4	66684-002	24-69	66699-005	8-23a	66767-000	2-13
66602-001	4-1	66684-003	24-69	66699-006	8-12	66767-000	6-1
66602-002	2-4	66684-004	24-69	66699-007	8-21	66767-001	2-13
66602-002	4-1	66684-005	24-69	66699-007	10-1	66767-001	6-1
66602-003	2-4	66684-006	24-69	66704-000	60-9	66767-002	2-13
66602-003	4-1	66684-007	24-69	66704-002	60-10	66767-002	6-1

PIPER PARTS CATALOG

Part Number	Figure and Index No.	Part Number	Figure and Index No.	Part Number	Figure and Index No.	Part Number	Figure and Index No.
66767-003	2-13	66802-004	27A-23	66913-000	24-63	66924-012	27-24
66767-003	6-1	66802-005	27-40	66913-002	24-63	66924-013	27-24
66768-000	51-5	66802-005	27A-23	66913-004	24-63	66925-002	27-25
66768-000	53-33	66802-006	27-40	66914-000	24-64	66925-002	27A-3
66768-000	55-50	66802-006	27A-23	66914-002	24-64	66925-003	27-25
66769-000	15-31	66802-007	27-40	66914-003	24-64	66925-003	27A-3
66770-000	2-3	66802-007	27A-23	66915-000	24-64a	66925-004	27-25
66770-000	3-19	66802-008	27-40	66916-000	24-64a	66925-004	27A-3
66770-001	2-3	66802-008	27A-23	66918-007	17-1	66925-005	27-25
66770-001	3-19	66802-009	27-40	66918-013	17-1	66925-005	27A-3
66770-002	2-3	66802-010	27A-23	66918-016	17-1	66925-006	27-25
66770-002	3-19	66804-000	25-68	66922-002	27-23	66925-006	27A-3
66770-004	2-3	66804-000	26-42	66922-003	27-23	66925-007	27-25
66770-004	3-19	66804-000	27-77	66922-004	27-23	66925-007	27A-3
66771-000	3-20	66804-000	27A-65	66922-005	27-23	66925-008	27-25
66771-001	3-20	66805-000	25-69	66922-006	27-23	66925-009	27-25
66772-000	3-21	66805-000	26-41	66922-007	27-23	66925-010	27-25
66772-001	3-21	66805-000	27-78	66922-008	27-23	66925-011	27-25
66772-002	3-21	66805-000	27A-66	66922-009	27-23	66925-012	27-25
66772-004	3-21	66815-000	51-78a	66922-010	27-23	66925-013	27-25
66773-000	57B-6b	66815-000	52-80a	66922-011	27-23	66926-003	68-17
66773-000	57C-14	66815-000	53-95	66922-012	27-23	66926-004	68-17
66773-000	59-9b	66815-000	54-76a	66922-013	27-23	66927-000	68-25
66773-000	67A-14a	66815-000	55-99a	66922-015	27A-1	66930-002	26-3
66774-000	57B-12a	66815-000	55-111a	66922-016	27A-1	66930-003	26-3
66774-000	57C-15	66817-000	51-78	66922-017	27A-1	66930-004	26-3
66774-000	59-11	66817-000	52-80	66922-018	27A-1	66930-005	26-3
66774-000	67A-19a	66817-000	53-94	66922-019	27A-1	66931-000	10-12j
66787-000	26-105	66817-000	54-76	66923-002	27-26	66931-000	11-16
66787-000	27-110	66817-000	55-99	66923-002	27A-4	66932-000	80-40
66788-000	26-92	66817-000	55-111	66923-003	27-26	66932-000	81-37
66788-001	26-92	66820-000	37-59	66923-003	27A-4	66932-000	81-37
66788-002	26-92	66820-000	39-17	66923-004	27-26	66934-000	80-41
66788-003	26-92	66821-004	43-7	66923-004	27A-4	66934-000	81-38
66788-004	26-92	66822-007	50-26	66923-005	27-26	66936-002	24-69
66788-005	26-92	66822-008	50-27	66923-005	27A-4	66936-003	24-69
66788-006	26-92	66835-000	57B-31	66923-006	27-26	66936-004	24-69
66788-007	26-92	66835-000	57C-26	66923-006	27A-4	66936-005	24-69
66789-000	31A-54	66835-000	59-33	66923-007	27-26	66936-006	24-69
66789-000	31B-9	66836-002	59-61	66923-007	27A-4	66936-007	24-69
66789-000	32-13	66836-004	57C-23	66923-008	27-26	66936-008	24-69
66789-000	51-66	66837-000	93-6	66923-008	27-26	66936-009	24-69
66789-000	54-29	66838-000	93-18	66923-009	27-26	66936-010	24-69
66789-000	57A-39	66844-000	24-4	66923-010	27-26	66936-011	24-69
66789-000	57A-40	66847-000	60-20	66923-011	27-26	66936-012	24-69
66789-000	58-35	66848-000	24-5	66923-012	27-26	66936-013	24-69
66789-000	58-36	66848-002	24-5	66923-013	27-26	66940-000	28-41
66789-000	59-37	66848-004	24-15	66924-002	27-24	66940-000	28A-42
66789-000	68-6	66848-005	24-5	66924-002	27A-2	66940-001	28-41
66793-000	24-1	66849-000	24-5	66924-003	27-24	66940-001	28A-42
66793-010	24-1	66849-002	24-16	66924-003	27A-2	66947-000	22A-36
66793-018	24A-1	66849-003	24-5	66924-004	27-24	66950-000	32D-1
66795-000	14-6	66855-000	57B-31	66924-004	27A-2	66950-000	32D-1
66796-000	14-2	66856-007	57B-21	66924-005	27-24	66950-001	32D-1
66798-000	86-21	66856-019	31B-35	66924-005	27A-2	66950-002	32D-1
66798-000	86A-9	66856-019	57B-21	66924-006	27-24	66950-003	32D-1
66800-000	86-10	66894-000	60-13	66924-006	27A-2	66955-000	15-18
66802-002	27-40	66894-002	60-13	66924-016	27A-2	66956-000	32D-9
66802-002	27A-23	66894-003	60-13	66924-016	27A-2	66957-000	32D-8
66802-003	27-40	66898-000	22A-38	66924-007	27-24	66959-000	32D-4
66802-003	27A-23	66906-000	60-9	66924-007	27A-2	66962-000	32D-2
66802-004	27-40	66906-002	60-9	66924-008	27-24	66964-000	50A-15
				66924-009	27-24	66964-002	32D-7
				66924-010	27-24	66964-002	50A-16
				66924-011	27-24		

PIPER PARTS CATALOG

Part Number	Figure and Index No.	Part Number	Figure and Index No.	Part Number	Figure and Index No.	Part Number	Figure and Index No.
66965-000	32D-6	66994-000	67A-36	67090-001	42-1	67173-000	83-5
66965-000	32E-37	66996-000	27-21	67090-010	42-1	67173-003	83-5
66968-000	12-18	66999-002	17-4	67090-011	42-1	67174-000	83-4
66968-001	12-18	66999-004	17-4	67091-000	42-13	67174-002	83-4
66969-002	12-18	67016-002	2-1	67093-004	42-2	67176-000	83-2
66969-003	12-18	67016-003	2-1	67093-005	42-2	67180-003	83-1
66970-002	70-22	67016-006	2-1	67095-000	5-7	67180-004	83-1
66970-003	70-23	67016-007	2-1	67095-001	5-7	67189-000	34-16
66972-000	50A-5	67023-000	39-9	67096-000	5-8	67192-000	34-30
66973-000	50A-7	67024-000	38-23	67096-001	5-8	67193-000	80-32
66974-000	15-36	67024-001	38-23	67097-000	5-30	67193-000	81-28
66975-000	50-1	67025-002	38-13	67097-001	5-30	67193-003	81-28
66975-000	50A-1	67025-005	38-10	67100-010	34-1	67193-004	81-28
66975-003	50-1	67025-006	38-10	67100-010	35-1	67196-000	68-74
66975-003	50A-1	67026-005	39-12	67101-000	2-27	67196-000	68A-22
66978-000	32D-5	67026-007	35-3	67106-000	35-49	67198-000	38-54
66979-000	57B-3	67026-007	35-26	67107-000	35-28	67202-000	38-35
66979-000	57C-3	67026-007	35-32	67108-000	75-36	67203-000	33-7
66979-000	59-3	67026-007	39-11	67109-000	34-8	67203-000	38-38
66979-000	67A-3	67026-007	39-20	67114-000	34-56	67205-000	32-1
66980-000	31A-2	67026-011	35-23	67119-049	58-85	67205-001	32-1
66980-000	31A-6	67028-000	38-24	67119-057	58-85	67205-002	32-1
66980-000	31A-44	67031-002	38-22	67119-058	58-85	67205-003	32-1
66980-000	31B-2	67031-003	38-22	67120-000	11-8	67205-005	32-1
66980-000	31B-31	67036-000	39-18	67120-002	10-7	67206-000	57B-29
66980-000	32-3	67037-006	39-16	67120-004	10-7	67206-000	59-26
66980-000	32-40	67040-012	38-2	67120-005	11-8	67206-002	57B-29
66980-000	57B-42	67040-013	38-2	67120-006	10-7	67206-002	57C-24
66980-000	57C-35	67042-012	38-6	67120-007	10-7	67206-002	59-26
66980-000	59-56	67045-000	2-4	67120-009	11-8	67210-000	59-1
66980-000	84-12	67045-000	5-1	67120-010	10-7	67210-002	57C-1
66980-002	76-55	67045-001	2-4	67120-011	10-7	67210-002	67A-1
66982-002	26-6	67045-001	5-1	67120-012	11-8	67210-003	59-1
66982-003	26-6	67046-000	75-42	67120-013	10-7	67210-004	57C-1
66982-004	26-6	67046-001	75-42	67120-014	10-7	67210-008	57C-1
66982-005	26-6	67050-002	35-2	67120-015	11-8	67213-000	57C-4
66982-006	26-6	67054-003	35-22	67120-016	10-7	67213-000	59-4
66982-007	26-6	67055-000	5-13	67120-017	10-7	67213-000	67A-4
66982-008	26-6	67055-001	5-13	67125-000	10-12f	67214-000	57B-4
66982-009	26-6	67058-000	5-14a	67125-000	11-14	67214-000	57C-5
66983-006	17-1	67058-001	5-14a	67134-000	58-31	67214-000	59-5
66983-007	17-1	67060-000	4-4	67135-003	46-21	67214-000	67A-5
66983-008	17-1	67060-000	5-3	67135-003	47-11	67215-000	57B-8
66983-009	17-1	67060-001	4-4	67137-000	10-39	67215-000	59-12
66983-012	17-1	67060-001	5-3	67137-000	11-34	67215-000	67A-9
66983-013	17-1	67061-000	4-6	67138-000	10-38	67215-003	57B-8
66983-015	17-1	67061-000	5-4	67138-000	11-36	67215-003	57C-9
66984-000	28B-1	67061-001	4-6	67139-000	10-42	67215-003	59-12
66984-001	28B-1	67061-001	5-4	67139-000	11-37	67215-003	67A-9
66984-002	28B-1	67062-000	5-5	67140-000	11-38	67216-000	57B-8
66984-003	28B-1	67062-001	6-5	67140-002	10-43	67216-000	57C-9
66984-004	28B-2	67065-000	5-50	67148-000	35-30	67216-000	59-12
66984-005	28B-2	67066-000	75-37	67150-003	34-11	67216-000	67A-9
66984-006	28B-3	67070-002	5-25	67155-000	34-57	67217-000	57B-7
66984-007	28B-3	67070-003	5-25	67158-000	75-38	67217-000	59-6
66984-008	28B-3	67071-000	2-7	67159-000	75-39	67218-000	57B-9
66984-009	28B-3	67071-000	38-56	67164-000	2-24	67218-000	57C-10
66985-000	17-5	67071-001	2-7	67164-001	2-24	67218-000	59-13
66987-000	27-72	67071-001	38-56	67166-000	5-51	67218-000	59-24d
66989-000	27A-62	67079-000	5-40	67168-000	34-26	67218-000	59-24e
66992-000	28B-2a	67079-001	5-40	67169-000	34-15	67218-000	67A-10
66993-000	67A-34	67090-000	42-1	67171-000	83-6	67218-000	67A-18

PIPER PARTS CATALOG

Part Number	Figure and Index No.	Part Number	Figure and Index No.	Part Number	Figure and Index No.	Part Number	Figure and Index No.
67218-000	67A-19	67232-006	67A-27	67245-000	35-33	67276-000	13-46
67218-002	57B-9	67232-007	27-13	67250-000	9-1	67276-003	13-46
67218-002	57C-19	67232-007	67A-27	67250-002	9-5	67277-000	39-44
67218-002	59-24d	67232-008	27-13	67250-007	9-1	67280-000	13-24
67218-002	67A-19	67232-008	27A-10	67250-008	9-5	67281-000	13-27
67219-000	81-6	67232-008	67A-27	67250-009	9-1	67281-002	13-27
67219-002	81-7	67232-009	27-13	67250-010	9-5	67282-000	13-28
67220-000	57B-6	67232-009	27A-10	67250-011	9-1	67282-002	13-28
67220-000	59-9	67232-009	67A-27	67250-012	9-5	67291-000	12-46
67221-000	57B-10	67232-010	27-13	67251-000	9-9	67291-001	12-6
67221-000	57C-11	67232-010	27A-10	67251-002	9-14	67292-000	12-71
67221-000	59-14	67232-011	27-13	67251-002	11-1	67295-000	32-2
67221-000	67A-11	67232-011	27A-10	67251-004	9-15	67295-001	32-2
67223-000	57B-2	67232-012	27-13	67251-008	9-14	67301-002	27-23
67223-000	57C-2	67232-012	27A-10	67251-008	10-1	67301-003	27-23
67223-000	67A-2	67232-013	27-13	67251-009	9-9	67301-004	27-23
67223-003	59-2	67232-013	27A-10	67251-010	9-14	67301-005	27-23
67224-000	57B-30	67232-015	26-78	67251-010	11-1	67301-006	27A-1
67224-000	59-27	67232-015	27-13	67251-011	9-14	67301-007	27A-1
67224-003	57B-30	67232-015	27A-10	67251-011	10-1	67301-008	27A-1
67224-003	57C-25	67232-017	27-13	67251-012	9-9	67301-009	27A-1
67224-003	59-27	67232-017	27A-10	67251-013	9-9	67301-010	27-23
67225-000	57B-52	67232-017	67A-27	67251-014	9-9	67301-011	27-23
67225-000	57C-27	67232-018	27-13	67251-015	9-9	67302-002	27-25
67225-000	59-28	67232-018	27A-10	67251-016	9-14	67302-002	27A-3
67227-005	17-9	67232-018	67A-27	67251-016	11-1	67302-003	27-25
67227-007	17-9	67232-020	27-13	67251-017	9-14	67302-003	27A-3
67227-008	17-9	67232-020	27A-10	67251-017	10-1	67302-004	27-75
67227-010	17-9	67232-020	67A-27	67252-000	9-23	67302-004	27A-3
67227-011	17-9	67232-021	27-13	67252-000	13-1	67302-005	27-25
67227-012	17-9	67232-021	27A-10	67252-002	9-24	67302-005	27A-3
67227-015	17-9	67232-022	27-13	67252-005	9-23	67302-006	27-25
67227-016	17-9	67232-022	27A-10	67252-005	13-1	67302-007	27-25
67227-017	17-9	67232-024	27-13	67253-000	11-2	67303-002	27-26
67228-002	17-4	67232-024	27A-10	67253-002	11-2	67303-002	27A-4
67228-004	17-4	67232-024	67A-27	67255-000	11-7	67303-003	27-26
67228-009	17-4	67232-025	27-13	67257-000	11-3	67303-003	27A-4
67229-000	17-7	67232-025	27A-10	67257-001	11-3	67303-004	27-26
67229-004	17-7	67232-026	26-78	67258-000	10-27	67303-004	27A-4
67229-006	17-7	67232-027	27-13	67258-000	11-27	67303-005	27-26
67230-007	17-1	67232-027	27A-10	67259-002	10-26	67303-005	27A-4
67231-006	17-3	67232-028	27-13	67259-002	11-28	67303-006	27-26
67231-007	17-3	67232-028	27A-10	67260-000	10-28	67303-007	27-26
67231-008	17-3	67232-029	27-13	67260-000	11-29	67304-002	27-24
67231-009	17-3	67232-029	27A-10	67262-002	12-37	67304-002	27A-2
67231-011	17-3	67232-030	27-13	67262-003	12-37	67304-003	27-24
67231-012	17-3	67232-030	27A-10	67263-000	9-12	67304-003	27A-2
67231-013	17-3	67232-031	27-13	67263-001	9-12	67304-004	27-24
67231-014	17-3	67232-031	27A-10	67266-000	10-5	67304-004	27A-2
67231-015	17-3	67232-032	27-13	67266-000	11-5	67304-005	27-24
67231-016	17-3	67232-032	27A-10	67266-002	10-5	67304-005	27A-2
67231-017	17-3	67232-040	26-78	67266-002	11-5	67304-006	27-24
67231-018	17-3	67232-041	27-13	67267-000	12-69	67304-007	27-24
67231-021	17-3	67232-041	27A-10	67267-001	12-69	67305-002	24-69
67231-022	17-3	67235-000	26-16	67268-000	12-70	67305-003	24-69
67231-024	17-3	67235-000	27-74	67268-001	12-70	67305-004	24-69
67231-025	17-3	67235-000	27A-54	67269-002	13-46	67305-005	24-69
67231-026	17-3	67239-000	27-13a	67270-000	13-2	67305-006	24-69
67231-027	17-3	67239-000	27A-10a	67271-000	13-4	67305-007	24-69
67231-029	17-3	67241-000	17-8a	67274-000	13-41	67305-008	24-69
67231-030	17-3	67242-000	39-52	67274-001	13-41	67305-009	24-69
67232-006	27-13	67244-000	34-34	67275-000	13-42	67305-010	24-69

PIPER PARTS CATALOG

Part Number	Figure and Index No.	Part Number	Figure and Index No.	Part Number	Figure and Index No.	Part Number	Figure and Index No.
67305-011	24-69	67368-000	23-23	67407-000	70-10	67467-002	16-22
67306-000	24-5	67368-000	23A-18	67409-000	69A-8	67468-000	16-21
67307-000	27-65	67368-002	22A-19	67409-000	70-9	67469-000	10-37
67307-000	27A-26	67368-003	22A-18	67409-003	69A-8	67469-000	11-39
67307-002	27-65	67368-003	23-23	67409-003	70-9	67471-000	93-18
67307-002	27A-26	67368-003	23A-18	67411-002	68-32	67475-000	17-27
67307-003	27-65	67369-000	22A-18	67411-003	68-38	67475-002	17-27
67307-003	27A-26	67369-000	23-23	67411-004	68-32	67476-000	54-24
67311-000	23-36	67369-000	23A-18	67411-005	68-36	67485-000	86-19
67311-002	23-36	67369-002	22A-19	67411-006	68-40	67487-002	68-75
67312-000	23-36	67369-003	22A-18	67411-007	68-36	67490-002	17-2a
67312-002	23-36	67369-003	23-23	67411-008	68-34	67491-000	80-2a
67313-000	23-37	67369-003	23A-18	67412-002	70-7	67491-000	81-3
67313-002	23-37	67370-000	23-24	67412-003	70-8	67492-000	86-10
67314-000	23-37	67371-000	23-29	67412-004	69A-7	67493-000	90-13
67314-002	23-37	67371-000	23A-24	67412-004	70-7	67494-000	90-14
67315-000	26-76	67371-001	23-29	67418-000	70-25	67494-001	90-14
67315-000	27-18	67371-001	23A-24	67422-002	19-25	67495-000	86-17
67315-000	27A-15	67372-000	23-33	67422-003	19-26	67502-000	38-34
67318-000	12-68	67372-000	23A-28	67422-004	69A-4	67505-000	38-39
67325-000	25-43	67372-001	23-33	67422-004	70-30	67510-000	34-27
67325-000	27-17	67372-001	23A-28	67422-005	70-32	67517-000	61-6
67325-000	27A-8	67374-000	23-30	67422-006	70-33	67520-000	84-4
67330-002	27-16	67374-001	23-30	67422-007	70-34	67521-000	84-5
67330-003	27-16	67375-000	23-32	67422-008	70-35	67524-000	84-34
67330-007	27-16	67375-000	23A-27	67422-009	70-31	67534-000	84-46
67330-010	26-77	67375-001	23-32	67422-010	70-36	67549-000	47-2
67330-010	27-16	67375-001	23A-27	67422-011	70-31	67550-000	5-14b
67333-002	93-16	67376-000	23-35	67422-012	70-38	67550-001	5-14b
67333-003	93-16	67376-000	23A-30	67422-013	70-40	67552-000	22-7
67336-000	27-76	67377-000	23-34	67422-014	70-39	67552-000	23-6
67338-000	47-1	67378-000	23-34	67424-007	70-3	67553-000	22-7
67342-000	47-2	67379-000	22A-16	67424-008	69A-6	67553-000	23-6
67343-000	31-18	67379-000	23-22	67424-008	70-3	67555-000	12-19
67343-000	31A-33	67379-000	23A-17	67425-000	17-5	67556-000	22-55
67343-000	32-33	67379-001	22A-16	67426-000	17-6	67556-000	23-42
67344-000	32-8	67379-001	23-22	67427-000	27-72	67556-002	22-55
67345-000	31A-28	67379-001	23A-17	67428-000	17-11	67556-002	23-42
67345-000	32-28	67379-002	22A-17	67429-002	70-22	67556-002	23A-50
67347-000	32-9	67379-003	22A-16	67429-003	70-23	67556-002	23B-37
67350-000	65-1	67379-003	23-22	67431-000	17-25	67556-004	23A-50
67351-014	65-13	67379-003	23A-17	67431-004	17-26	67556-004	23B-37
67352-000	42-3	67379-004	22A-16	67435-002	70-12	67559-000	84-42
67352-001	42-3	67379-004	23-22	67435-003	70-13	67560-000	84-2
67355-000	42-5	67379-004	23A-17	67436-004	69A-11	67562-000	13-20
67355-000	65-15	67382-000	79-12	67436-004	70-13	67564-000	76-19a
67355-001	42-5	67385-000	23-31	67436-005	70-12	67566-000	76-19b
67355-001	65-15	67385-000	23A-26	67437-000	69A-12	67566-000	84-8
67356-200	42-26	67385-001	23-31	67437-000	70-18	67572-000	13-59
67356-201	42-28	67385-001	23A-26	67439-000	70-5	67574-000	13-60
67357-000	42-17	67386-000	32-5	67441-002	17-31	67578-000	84-7
67358-000	42-18	67387-000	32-7	67441-003	17-31	67582-000	76-5
67359-000	42-19	67389-000	32-10	67443-004	80-2b	67582-002	76-5
67360-000	42-20	67390-000	11-15	67445-000	85-9	67582-003	76-5
67361-000	42-21	67390-003	10-12g	67448-000	11-39	67583-000	84-11
67362-000	42-22	67391-000	32-11	67462-006	16-10a	67588-000	84-44
67362-002	42-24a	67395-000	31A-32	67462-006	17-13a	67589-000	84-43
67363-000	42-25	67395-000	32-32	67463-000	80-2c	67592-002	27-3
67364-000	42-4	67401-000	32-23	67463-000	81-5	67592-002	27-10d
67365-000	11-33	67401-003	32-23	67466-000	17-30	67592-003	27-4
67367-000	15-24	67404-002	68-3	67466-000	17-50	67593-002	27-1
67368-000	22A-18	67404-003	68-4	67467-000	16-22	67593-003	27-1

PIPER PARTS CATALOG

Part Number	Figure and Index No.	Part Number	Figure and Index No.	Part Number	Figure and Index No.	Part Number	Figure and Index No.
67593-004	27-1	67689-000	5-39	67700-089	58-28	67762-010	28A-41
67593-009	27-1	67689-001	5-39	67700-090	66-16	67768-000	21-20
67598-000	34-21a	67690-004	5-6	67702-000	27-5	67769-000	62-17
67600-000	84-57	67690-005	5-6	67702-000	27-10c	67769-004	58-15
67603-000	54-87	67691-000	5-41	67703-002	17-2	67769-004	63-15
67604-002	54-53	67691-001	5-41	67704-000	31A-34	67776-000	58-21
67605-000	58-32	67694-000	5-43	67704-000	32-43	67777-000	58-20
67608-000	32-29	67700-002	54-3	67705-000	31A-35	67779-000	58-19
67608-001	31A-30	67700-003	54-4	67705-000	318-21	67785-017	26-7
67608-001	32-30	67700-004	54-6	67705-000	32-44	67785-017	27-1
67610-000	31A-31	67700-005	54-5	67706-000	31A-36	67785-017	27A-5
67610-000	32-31	67700-006	84-16	67706-000	32-45	67786-000	26-7a
67615-000	58-65	67700-007	84-17	67707-000	31A-37	67786-000	27-2
67616-000	58-63	67700-008	84-19	67707-000	32-46	67786-000	27-10a
67617-000	61-1	67700-009	84-18	67708-000	31A-27	67786-000	27A-6a
67618-000	61-2	67700-014	84-21	67708-000	32-42	67790-000	58-4
67619-000	61-3	67700-015	84-20	67708-000	31B-22	67790-000	66-121
67620-000	61-4	67700-016	84-22	67709-000	31A-23	67790-000	67-10
67622-000	63-2	67700-017	84-23	67712-000	32-34	67790-000	67A-21
67628-000	63-10	67700-019	84-25	67713-000	84-11	67791-000	58-5
67629-000	63-6	67700-021	84-26	67722-000	17-10	67791-000	66-122
67630-000	63-5	67700-022	84-27	67723-000	2-49	67791-000	67-1
67631-000	63-4	67700-023	84-29	67723-001	2-49	67791-000	67A-22
67632-000	63-3	67700-024	84-28	67724-000	58-62	67793-000	58-6
67634-000	63-1	67700-025	54-7	67725-002	58-80	67793-000	66-123
67638-000	63-7	67700-026	54-8	67728-000	51-121	67793-000	67-11
67638-005	63-7	67700-027	58-28	67728-000	52-2	67793-000	67A-23
67639-008	57B-20	67700-028	54-9	67728-000	53-36	67794-000	58-7
67643-000	61-5	67700-029	57A-19	67728-000	54-17	67794-000	66-17
67651-000	61-8	67700-029	58-29	67728-000	55-121	67794-000	67-12
67652-000	61-9	67700-031	84-24	67729-000	59-22	67794-000	67A-24
67656-002	54-26	67700-034	84-30	67731-000	84-42	67796-000	62-12
67657-002	59-30	67700-035	84-31	67732-000	84-44	67797-004	38-17
67657-003	31A-25	67700-036	53-56	67738-000	84-42	67797-005	38-17
67657-003	32-24	67700-036	55-28	67743-002	84-43	67804-000	59-32
67657-004	32-16	67700-037	54-10	67744-000	68-70	67808-000	61-7
67657-005	31A-12	67700-038	57A-30	67745-000	58-65	67809-000	61-3
67657-005	31B-7	67700-039	51-15	67747-000	84-7	67810-000	61-1
67657-006	31A-12	67700-039	53-65	67747-005	84-7	67811-000	61-2
67658-002	59-31	67700-040	66-16	67748-000	84-2	67812-000	61-4
67658-003	31A-26	67700-041	57C-30	67749-000	84-58	67816-000	63-1
67658-003	32-25	67700-041	67A-44	67751-000	34-55	67817-000	63-10
67658-004	32-17	67700-042	56-71	67752-002	34-14	67822-000	63-4
67658-005	31A-13	67700-043	51-19	67753-000	39-14	67823-000	63-6
67658-005	31B-8	67700-053	57A-30	67755-000	35-16	67824-000	63-8
67658-007	31A-13	67700-054	66-16	67755-000	39-4	67825-000	63-7
67659-000	59-32	67700-055	53-56	67757-000	28-43	67828-000	63-2
67660-000	58-18	67700-056	54-6	67758-000	35-43	67829-000	58-78
67661-000	54-25	67700-057	53-61	67762-002	28-40	67830-000	63-3
67664-000	59-55	67700-057	54-2	67762-002	28A-41	67831-000	63-5
67667-000	58-78	67700-058	46-4	67762-003	28-40	67836-000	28-19
67670-000	5-38	67700-058	47-5	67762-003	28A-41	67836-002	28-20
67670-001	5-38	67700-059	84-19	67762-004	28-40	67836-003	28-33
67672-000	5-2	67700-060	84-18	67762-004	28A-41	67836-004	28-19
67672-001	5-2	67700-061	84-26	67762-005	28-40	67836-006	28-20
67673-000	5-42	67700-062	84-27	67762-005	28A-41	67836-006	28-33
67677-000	5-44	67700-085	56-71	67762-006	28-40	67837-000	28-3
67677-001	5-44	67700-086	56-71	67762-006	28A-41	67837-002	28-3
67678-000	5-45	67700-087	57A-30	67762-007	28-40	67837-003	28-3
67678-001	5-45	67700-087	58-28	67762-007	28A-41	67838-000	28-4
67687-000	5-17	67700-087	66-16	67762-008	28-40	67838-002	28-4
67687-001	5-17	67700-088	57A-30	67762-009	28-40	67844-000	58-13

PIPER PARTS CATALOG

Part Number	Figure and Index No.	Part Number	Figure and Index No.	Part Number	Figure and Index No.	Part Number	Figure and Index No.
67845-000	58-17	67905-004	27-34	67930-909	9-14	68273-002	11-12
67846-000	65-13	67905-004	27A-17	67930-909	11-1	68274-000	12-68
67846-010	65-13	67905-005	27-34	67930-910	9-19	68353-000	12-42
67847-000	58-3	67905-005	27A-17	67930-910	12-1	68364-000	12-22
67848-000	58-86	67905-006	27-34	67972-002	11-50	68399-002	25-74
67849-000	58-14	67905-006	27A-17	67982-002	32A-44	68399-002	27-21
67852-002	27-1	67906-002	26-47	68022-014	28-45	68399-002	27A-30
67852-003	27-1	67906-002	27-35	68022-014	28A-29	68414-003	78-2
67852-005	27-1	67906-002	27A-18	68022-014	29-16	68416-000	25-60
67852-006	27-1	67906-003	26-47	68026-000	58-33	68416-000	26-88
67852-015	27-1	67906-003	27-35	68059-000	28-20a	68416-000	27-67
67876-000	58-26	67906-003	27A-18	68059-006	28-20a	68416-000	27A-56
67878-000	17-5	67906-004	26-47	68061-000	28-19	68416-001	25-60
67878-002	17-5	67906-004	27-35	68061-002	28-20	68416-001	26-88
67879-000	17-6	67906-004	27A-18	68061-003	28-33	68416-001	27-67
67881-004	54-67	67906-005	27-35	68067-000	28-33a	68416-001	27A-56
67881-006	54-64	67906-005	27A-18	68068-000	28A-25	68416-002	27-67
67881-006	54-86	67906-006	27-35	68094-003	27-95a	68416-002	27A-56
67882-002	54-67a	67906-006	27A-18	68094-003	27A-83a	68416-003	27-67
67903-002	27-38	67907-002	26-4	68098-005	10-37	68416-003	27A-56
67903-003	27A-21	67907-002	27-33	68101-002	51-124	68426-000	50-3
67903-004	27-38	67907-002	27A-16	68101-002	53-42	68426-000	50D-1
67903-005	27A-21	67907-003	26-44	68101-002	54-83	68427-000	50D-10
67903-006	27-38	67907-003	27-33	68101-002	55-106	68428-000	50D-11
67903-007	27A-21	67907-003	27A-16	68101-002	55-110	68429-000	50D-6
67903-008	27-38	67907-004	26-44	68106-000	6-8	68429-001	50D-6
67903-009	27A-21	67907-004	27-33	68106-001	6-8	68430-000	50D-7
67903-010	27-38	67907-004	27A-16	68106-002	6-8	68430-001	50D-7
67903-011	27A-21	67907-005	26-44	68106-003	6-8	68431-000	50D-8
67904-002	26-49	67907-005	27-33	68111-000	3-7	68431-001	50D-8
67904-002	27-39	67907-005	27A-16	68113-200	3-6	68456-002	25-5
67904-002	27A-22	67907-006	26-44	68113-201	3-6	68456-003	25-5
67904-003	26-49	67907-006	27-33	68115-000	20-21	68456-004	25-5
67904-003	27-39	67907-006	27A-16	68115-000	21-12	68460-002	25-15
67904-003	27A-22	67907-007	26-44	68116-000	20-22	68460-003	25-15
67904-004	26-49	67907-007	27-33	68116-000	21-13	68460-004	25-15
67904-004	27-39	67907-007	27A-16	68119-000	3-13	68467-000	46-3
67904-004	27A-22	67907-008	27-33	68129-000	2-13	68467-000	47-3
67904-005	26-49	67907-008	27A-16	68129-000	6-1	68472-000	78-18
67904-005	27-39	67907-009	27-33	68129-001	2-13	68484-000	25-13
67904-005	27A-22	67907-009	27A-16	68129-001	6-1	68484-000	27-27
67904-006	26-49	67907-010	27-33	68129-002	2-13	68484-000	27A-48
67904-006	27-39	67907-010	27A-16	68129-002	6-1	68484-001	24-71
67904-006	27A-22	67907-011	27-33	68129-003	2-13	68488-000	78-5
67904-007	26-49	67907-011	27A-16	68129-003	6-1	68488-002	78-5
67904-007	27-39	67909-000	35-15	68179-000	24-87	68491-000	77-90a
67904-007	27A-22	67910-000	27-10	68179-000	24A-50	68491-000	78-43
67904-008	27-39	67911-000	27-6	68179-002	24-88	68492-002	25-12
67904-008	27A-22	67917-006	27-1	68179-002	24A-51	68492-002	27-28
67904-009	27-39	67920-005	17-1	68180-000	24-85	68492-002	27A-49
67904-009	27A-22	67920-014	17-1	68188-000	24-20	68492-005	24-72
67904-010	27-39	67921-000	27-4	68193-007	97-5	68492-006	25-12
67904-010	27A-22	67921-000	27-10b	68198-000	72-4	68492-006	27-28
67904-011	27-39	67926-012	39-10	68198-000	73-7	68492-006	27A-49
67904-011	27A-22	67926-013	39-10	68229-004	12-67	68492-009	24-72
67905-002	26-45	67927-008	39-1	68272-002	10-12a	68492-010	25-12
67905-002	27-34	67927-009	39-1	68272-002	11-9	68492-010	27-28
67905-002	27A-17	67930-000	9-1	68272-003	10-12b	68492-010	27A-49
67905-003	26-45	67930-903	9-5	68272-003	11-10	68492-013	27-72
67905-003	27-34	67930-905	9-23	68272-004	10-12c	68492-014	27-28
67905-003	27A-17	67930-905	13-1	68272-004	11-11	68492-014	27A-49
67905-004	26-45	67930-908	9-9	68273-002	10-12d	68492-015	24-72

PIPER PARTS CATALOG

Part Number	Figure and Index No.	Part Number	Figure and Index No.	Part Number	Figure and Index No.	Part Number	Figure and Index No.
68492-018	27-28	68699-005	57B-12	68821-000	86-9	69229-000	31A-24
68492-019	24-72	68699-006	59-15	68822-000	88-26	69242-000	17-27
68492-020	27-28	68699-006	59-17	68822-000	89-15	69243-000	27A-62
68491-021	24-72	68699-006	67A-12	68824-000	86-11	69245-000	67A-36
68499-004	25-62	68699-010	57C-12	68825-000	86-10	69246-000	67A-34
68499-004	26-90	68699-010	59-15	68829-000	80-2d	69247-000	33-35
68499-004	27-69	68699-010	59-17	68876-000	93-21	69250-000	10-2
68499-004	27A-58	68699-010	67A-12	68876-000	95-1	69250-002	10-2
68499-005	25-62	68699-011	57B-12	68926-000	95-2	69250-003	10-2
68499-005	26-90	68718-003	66-45	68941-000	93-21	69251-000	9-9
68499-005	27-69	68733-002	25-66	68941-000	95-1	69251-002	9-14
68499-005	27A-58	68733-003	25-66	69011-000	57B-43	69251-002	10-1
68539-000	8-31	68733-004	25-66	69011-000	57C-38	69251-003	9-9
68539-000	9-27	68736-002	25-67	69012-000	57B-44	69251-004	9-14
68540-000	8-32	68736-003	25-67	69012-000	57C-39	69251-004	10-1
68540-000	9-28	68736-004	25-67	69015-005	54-68	69252-000	22A-34
68540-001	8-32	68759-000	66-40	69015-006	58-40	69253-000	22A-34
68540-001	9-28	68762-000	55-46	69015-007	58-39	69255-005	22A-33
68551-000	26-64	68763-000	55-115	69015-050	18-10	69255-006	22A-33
68551-000	27-97	68764-000	55-37	69031-000	16-48	69255-007	22A-32
68551-000	27A-85	68765-000	55-38	69033-000	54-40	69255-008	22A-32
68555-002	24-44	68765-002	55-38	69041-005	20-2	69255-009	22A-35
68555-005	24-44	68770-003	68-69	69041-005	21-1	69255-010	22A-35
68555-005	24A-7	68770-006	57C-32	69042-000	20-33	69255-011	22A-30
68556-000	25-60	68770-006	67A-46	69042-002	21-16	69255-012	22A-29
68556-000	26-88	68770-007	59-38	69059-002	16-37	69255-013	22A-29
68556-001	25-60	68770-008	59-40	69061-000	67-21	69255-014	22A-31
68556-001	26-88	68770-009	31A-56	69074-000	58-69	69255-015	22A-31
68557-000	80-28	68770-009	32-15	69077-000	80-9	69256-000	22A-39
68557-000	81-9	68770-011	58-35	69077-000	81-17	69256-002	22A-39
68559-000	80-32	68770-014	31A-56	69080-000	16-64	69257-000	22A-39
68562-000	13-31	68770-014	31B-10	69086-000	25-85	69257-002	22A-39
68569-000	8-35	68770-014	32-15	69086-000	27A-14	69269-000	12-63
68569-000	9-35	68770-018	51-98	69088-000	55-81	69273-000	31A-37
68574-002	25-63	68770-018	54-30	69088-005	55-81	69273-000	31B-23
68574-003	25-63	68770-018	57A-40	69090-002	25-87	69273-000	32-46
68574-004	25-63	68770-018	57B-47	69090-003	25-87	69274-000	31A-36
68574-005	25-63	68770-018	58-36	69090-004	25-87	69274-000	31B-24
68574-006	25-63	68771-002	31A-55	69091-002	25-82	69274-000	32-45
68574-007	25-63	68771-002	32-14	69091-003	25-82	69275-000	31A-45
68574-008	25-63	68771-003	68-60	69091-004	25-82	69275-000	31B-25
68574-009	25-63	68771-006	51-2	69092-000	55-76	69275-000	32-48
68574-010	25-63	68771-006	57A-40	69092-002	55-76	69276-000	31B-26
68574-011	25-63	68771-006	57B-47	69093-000	55-89	69278-000	31A-23
68574-012	25-63	68771-008	57A-39	69093-002	55-89	69278-000	31B-27
68574-013	25-63	68771-008	57C-32	69094-002	55-80	69278-000	32-34
68584-000	8-38	68771-008	67A-47	69095-000	13-65	69279-000	31A-34
68584-000	25-64	68771-009	58-35	69121-000	89-16	69279-000	31B-28
68584-000	26-91	68771-012	59-39	69142-000	89-13	69279-000	32-43
68584-000	27-71	68778-000	56-51	69164-002	67-22	69282-000	59-33
68584-000	27A-59	68778-000	57-34	69165-002	16-51	69283-000	11-15
68671-000	25-61	68778-000	57A-44	69166-000	55-32	69283-003	10-12g
68671-000	26-89	68778-000	58-44	69166-001	55-34	69288-000	26-75
68671-000	27-68	68778-000	66-87	69169-000	16-65	69288-000	27-72
68671-000	27A-57	68787-000	64-13c	69169-000	17-29	69288-003	26-75
68672-000	25-65	68787-000	65-5	69169-000	17-51	69301-000	56-74
68674-000	85-3	68787-000	66-54	69174-000	66-47	69301-000	57A-46
68676-000	85-4	68804-003	68-58	69181-000	55-82	69316-000	57B-45
68699-002	59-15	68809-000	16-25	69183-000	55-42	69316-000	57C-36
68699-003	578-11	68812-002	69A-11	69184-000	55-42	69317-000	56-54
68699-003	59-16	68817-050	8-23b	69222-000	57B-23	69317-000	57A-29
68699-004	59-17	68817-050	9-17	69224-000	24-22	69318-000	79-12

PIPER PARTS CATALOG

Part Number	Figure and Index No.	Part Number	Figure and Index No.	Part Number	Figure and Index No.	Part Number	Figure and Index No.
69403-003	26-65	69544-000	17-67	69669-134	17-12	71061-000	56-72
69403-003	27-66	69545-000	17-3a	69669-135	17-12	71061-000	57-31
69403-003	27A-60	69545-000	17-67	69669-142	26-75	71061-000	66-13
69439-002	28-40	69546-000	57C-43	69669-154	26-75	72091-000	53-103
69439-002	28A-41	69546-000	67-2	69669-157	17-71	72091-000	51-46
69439-003	28-40	69546-000	67A-49	69669-171	26-73	72091-000	54-79
69439-003	28A-41	69568-000	28B-1	69669-173	72-5	72091-000	55-97
69439-004	28-40	69568-001	28B-1	69669-173	73-3	72091-000	55-115
69439-005	28-40	69568-004	28B-3	69669-185	17-73	73451-007	56-30
69439-006	28-40	69568-005	28B-3	69670-002	71-1	73451-007	57-20
69439-006	28A-41	69571-002	17-3b	69672-000	27A-14	76111-000	9-1
69439-007	28-40	69571-003	17-3b	69673-002	25-82	76111-002	9-5
69439-007	28A-41	69571-004	17-3b	69673-003	25-82	76111-004	9-1
69439-008	28-40	69571-005	17-3b	69673-005	25-82	76111-005	9-5
69439-008	28A-41	69571-006	17-3b	69675-000	66-50	76112-000	9-23
69439-009	28-40	68571-007	17-3b	69677-000	66-21	76112-000	13-1
69439-009	28A-41	69623-002	50-30	69736-002	2-22	76112-004	13-2
69439-010	28-40	69623-004	50-30	69783-000	12-24	76112-005	13-6
69439-010	28A-41	69624-002	50-30	69739-000	12-26	76112-006	13-6
69439-011	28-40	69652-004	27A-97	69740-000	12-25	76112-007	9-23
69439-011	28A-41	69652-005	27A-97	69740-002	12-25	76112-007	13-1
69439-012	28-40	69652-006	25-87	69770-003	33A-24	76114-000	13-3
69439-012	28A-41	69652-006	27A-97	69785-000	55-102	76115-000	13-8
69439-013	28-40	69652-007	27A-97	69785-001	51-80	76115-001	13-8
69439-013	28A-41	69652-008	27A-97	69785-001	53-100	76116-000	13-2
69439-014	28A-41	69652-010	25-87	69785-001	54-71	76119-000	13-41a
69439-015	28A-41	69652-011	25-87	69791-000	64-19a	76119-001	13-41a
69442-002	27A-97	69652-011	27A-97	69791-000	65-14	76120-000	13-62
69442-003	27A-97	69652-012	27A-97	69791-000	66-60a	76120-001	13-62
69442-004	27A-97	69653-000	25-85	69885-000	32E-38	76121-000	13-66
69442-005	27A-97	69669-004	27-72	69885-002	32E-39	76123-000	27-58
69442-006	27A-97	69669-005	26-75	69885-003	32E-40	76123-000	27A-70
69442-007	27A-97	69669-006	26-75	69891-002	12-27	76123-001	27-58
69442-009	27A-97	69669-013	28A-2d	69891-003	12-27	76123-001	27A-70
69443-002	27A-13	69669-013	28C-4a	69891-004	12-27	76123-004	27-58
69443-003	27A-13	69669-014	28A-2d	69891-005	12-27	76123-004	27A-70
69443-004	27A-13	69669-014	28C-4b	69891-010	12-27	76123-005	27-58
69443-005	27A-13	69669-015	93A-12	69891-011	12-27	76123-005	27A-70
69443-006	27A-13	69669-016	70-3a	69891-012	12-27	76123-012	26-67
69443-007	27A-13	69669-017	70-22	69891-013	12-27	76123-013	26-67
69443-016	27A-13	69669-018	69A-13	70371-000	30-9	76126-000	13-13
69443-017	27A-13	69669-020	68-24	70371-000	31-10	76129-000	32-4
69443-018	27A-13	69669-024	70-3b	70371-002	31A-53	76129-001	31A-7
69443-019	27A-13	69669-025	17-8b	70371-002	31B-14	76129-001	32-4
69443-021	27A-13	69669-039	17-12c	70371-002	32E-42	76129-002	31A-7
69443-022	27A-13	69669-045	27-13a	70371-002	56-49	76130-000	9-9
69443-023	27A-13	69669-045	27A-10a	70371-002	57-54	76130-002	9-14
69443-024	27A-13	69669-063	53-110	70371-002	57B-35	76130-002	11-1
69443-025	27A-13	69669-063	54-84	70371-002	57C-40	76130-004	9-19
69443-026	27A-13	69669-064	55-83	70371-002	59-44	76130-004	12-1
69443-027	27A-13	69669-066	93A-12	70371-002	66-100	76130-005	12-2
69501-000	28-25	69669-066	93B-8	70371-003	31A-41	76130-006	12-4
69501-000	28A-10	69669-090	70-3b	70371-003	31A-49	76130-007	12-3
69501-002	28A-10	69669-095	96-9	70371-003	31B-13	76130-010	9-9
69501-003	28A-10	69669-097	96-8	70371-003	32-20	76130-011	9-14
69504-000	55-50	69669-107	93A-15	70371-003	32E-42	76130-011	11-1
69517-000	17-48	69669-110	28A-50	70371-003	56-48	76130-012	12-2
69518-000	17-48	69669-114	96-11	70371-003	57-55	76130-013	12-4
69518-004	17-48	69669-117	24A-58	70371-003	57B-36	76130-014	12-3
69518-006	17-48	69669-118	24A-59	70371-003	57C-47	76130-015	9-19
69520-000	17-48	69669-123	17-5	70371-003	59-43	76130-015	12-1
69544-000	17-3a	69669-124	17-5	70371-003	66-101	76131-000	12-16

PIPER PARTS CATALOG

Part Number	Figure and Index No.	Part Number	Figure and Index No.	Part Number	Figure and Index No.	Part Number	Figure and Index No.
76131-001	12-16	76163-007	24-69	76206-002	27-72	76277-002	23A-18
76131-002	12-16	76169-002	28C-31	76211-000	9-1	76277-003	23A-18
76132-000	12-5	76171-000	28A-1	76211-002	9-5	76277-004	23A-18
76132-003	12-5	76171-002	28A-3	76211-003	9-1	76278-000	23A-18
76134-000	12-15	76171-003	28A-3	76211-004	9-5	76278-002	23A-18
76136-000	10-17	76172-000	28A-15c	76212-000	9-23	76278-003	23A-18
76136-000	11-20	76172-003	28C-19	76212-000	13-1	76278-004	23A-18
76137-002	10-29	76173-000	28A-3a	76212-003	9-23	76279-000	12-63
76137-002	11-32a	76173-001	28A-3a	76212-003	13-1	76295-000	2-4a
76138-000	12-57	76175-000	28A-4	76213-000	9-9	76295-000	3-28
76139-000	12-50	76175-000	28C-18	76213-002	9-14	76295-001	2-4a
76139-002	12-53	76175-002	28-24	76213-002	10-1	76295-001	3-28
76139-003	12-54	76175-002	28A-4	76213-003	9-9	76295-002	3-30
76140-003	12-16	76175-002	28B-6	76213-004	9-14	76295-003	3-30
76140-004	12-16	76175-003	28A-4	76213-004	10-1	76295-004	3-31
76142-000	23-24	76176-000	28C-30	76218-000	13-41	76295-005	3-31
76143-000	23-25	76178-000	28A-15b	76218-001	13-41	76297-000	9-12
76143-000	23A-20	76182-000	27-24	76219-000	31A-4	76297-001	9-12
76145-000	24-62	76182-003	27-24	76219-001	31A-4	76298-000	27-72
76145-010	24-62	76182-004	27-24	76221-000	26-99	76299-000	9-9
76150-000	24-5	76182-005	27-24	76221-000	27-104	76299-002	9-14
76150-002	24-15	76182-007	27-24	76221-000	27A-94	76299-002	10-1
76150-004	24-15	76186-003	27-23	76222-000	17-12a	76299-003	9-9
76158-000	24-11	76186-004	27-23	76223-000	17-12	76299-004	9-14
76158-002	24-11	76186-005	27-23	76239-000	12-22	76299-004	10-1
76158-003	24-11	76186-006	27-23	76254-000	9-1	76299-007	9-14
76159-000	24-11	76186-007	27-23	76254-002	9-5	76299-007	10-1
76160-002	27-37	76187-000	28A-15d	76254-003	9-1	76299-008	9-9
76160-002	27A-20	76187-000	28C-41	76254-004	9-5	76299-009	9-14
76160-003	27-37	76191-000	27-51	76254-007	9-5	76299-009	10-1
76160-003	27A-20	76191-000	27A-50	76254-008	9-1	76299-010	9-9
76160-004	27-37	76191-002	27-51	76254-009	9-5	76305-000	32E-5
76160-004	27A-20	76191-002	27A-50	76254-010	9-1	76307-000	32E-2
76160-005	27-37	76193-000	24-81	76255-000	8-15	76307-004	32E-2
76160-005	27A-20	76193-002	24-81	76255-000	9-11	76307-007	32E-2
76160-006	27-37	76194-000	23A-25	76256-000	9-22	76308-000	32E-5
76160-006	27A-20	76194-001	23A-25	76257-000	9-22	76309-000	32B-27
76161-002	27-33	76195-000	23A-29	76261-000	12-70	76309-000	32E-4
76161-002	27A-16	76196-000	23A-29	76261-001	12-70	76311-000	17-7
76161-003	27-33	76197-000	23A-19	76262-000	12-71	76312-000	9-23
76161-003	27-16	76199-002	27-36	76264-000	23A-23	76312-000	13-1
76161-004	27-33	76199-002	27A-19	76265-000	23A-26	76312-002	9-23
76161-004	27A-16	76199-003	27-36	76266-000	23A-26	76312-002	13-1
76161-005	27-33	76199-003	27A-19	76267-000	23A-24	76321-000	55-89
76161-005	27A-16	76199-004	27-36	76267-001	23A-24	76324-000	33-12
76161-006	27-33	76199-000	27A-19	76268-000	23A-25	76325-000	10-31
76161-007	27-33	76199-005	27-36	76269-000	23A-25	76342-000	28C-22
76161-007	27A-16	76199-005	27A-19	76270-000	23A-27	76343-000	28C-23
76161-008	27-33	76199-006	27-36	76270-001	23A-27	76345-000	28C-26
76161-008	27A-16	76199-006	27A-19	76272-000	23A-28	76351-002	28C-24
76161-009	27-33	76199-007	27-36	76272-001	23A-28	76351-003	28C-25
76161-009	27A-16	76199-007	27A-19	76273-000	23A-29	76359-000	9-1
76161-010	27-33	76199-003	27-36	76274-000	23A-29	76359-002	9-5
76161-010	27-16	76199-008	27A-19	76275-000	23A-17	76359-004	9-5
76161-011	27-33	76199-009	27-36	76275-002	23A-17	76359-005	9-1
76161-011	27A-16	76199-009	27A-19	76275-003	23A-17	76360-000	9-9
76162-000	24-79	76199-010	27-36	76275-004	23A-17	76360-002	9-14
76163-002	24-69	76199-010	27A-19	76276-000	23A-17	76360-002	11-1
76163-003	24-69	76199-011	27-36	76276-002	23A-17	76360-003	9-14
76163-004	24-69	76199-011	27A-19	76276-003	23A-17	76360-003	11-1
76163-005	24-69	76205-000	17-61	76276-004	23A-17	76360-004	9-9
76163-006	24-69	76206-000	27-72	76277-000	23A-18	76364-000	8-12

PIPER PARTS CATALOG

Part Number	Figure and Index No.	Part Number	Figure and Index No.	Part Number	Figure and Index No.	Part Number	Figure and Index No.
76364-002	8-12	76477-002	17-9	78741-002	24A-14	79171-010	23A-34
76365-000	12-23	76489-002	10-14	79033-000	93A-11	79171-011	23A-33
76406-000	16-66	76489-002	11-17	79035-000	32E-20	79171-013	23A-37
76406-000	17-63	76490-002	13-15	79038-000	56-80	79171-013	23B-32
76407-003	34-46	76490-003	13-15	79038-000	57A-41	79171-014	23A-32
76409-000	34-57	76497-002	15-60	79038-000	58-88	79172-004	23B-30
76410-000	33A-24	78022-000	2-16	79038-000	66-124	79172-005	23B-31
76415-000	43-1	78022-001	2-16	79040-000	24-15	79172-007	23B-29
76425-000	34-40	78022-014	2-17	79040-002	24-15	79172-008	23B-29
76425-002	34-40	78022-015	2-17	79044-006	17-9	79173-000	12-23
76426-003	34-17	78022-020	2-18	79071-000	33A-23	79174-000	2-21
76434-000	58-30	78022-023	2-18	79072-000	33A-22	79174-004	2-20
76435-000	24-15	78033-000	37-22	79110-003	33A-24	79176-000	8-18
76436-000	11-7	78035-002	56-33	79110-004	33-28	79176-001	8-18
76437-000	11-2	78035-003	56-34	79110-004	33A-1	79186-000	32E-2
76437-002	11-2	78041-000	28A-1a	79110-005	33-28	79186-004	32E-2
76445-000	28C-12	78041-000	28B-2b	79110-005	33A-1	79186-008	32E-2
76462-000	27-65	78041-000	28C-4	79112-000	17-8	79187-000	32E-1
76462-000	27A-26	78041-000	28C-9	79119-000	14-30	79189-000	32E-5
76467-000	12-50	78041-003	28A-2c	79124-000	17-39	79192-000	32E-6
76467-002	9-13	78041-000	28A-2c	79125-000	26-100	79201-000	69A-9
76467-002	12-52	78041-000	28C-4	79125-000	27-106	79207-000	28A-10
76467-003	12-51	78043-006	3-35	79125-000	27A-9-5	79207-000	28C-39
76467-004	12-56	78044-000	28A-28	79125-001	26-100	79209-000	24-5
76468-000	12-20	78049-000	31A-11	79125-001	27-106	79209-002	24-5
76468-002	12-21	78054-002	26-80	79125-001	27A-95	79209-003	24-5
76468-003	12-21	78054-002	27-14	79131-000	8-1	79209-009	24-81
76469-946	13-2	78054-002	27A-11	79131-002	8-6	79228-000	28C-3
76469-947	13-6	78057-000	23-39	79131-003	8-6	79229-000	28C-27
76469-948	13-6	78057-000	23B-34	79131-004	8-1	79230-000	28A-12
76470-905	9-23	78057-000	24-82	79132-000	8-16	79230-000	28C-28
76470-907	9-33	78082-000	24-5	79133-000	8-17	79234-000	12-42
76470-907	13-61	78082-002	24-5	79137-000	23B-23	79235-000	28C-29
76470-907	14-1	78082-004	24-81	79138-000	23B-18	79236-005	26-47
76470-908	9-9	78082-005	24-81	79139-000	23B-19	79236-005	27-35
76470-909	9-14	78082-006	24-5	79140-000	23B-20	79236-005	27A-18
76470-910	9-19	78086-000	23A-51	79140-001	23B-21	79236-006	26-44
76470-963	9-36	78112-002	26-57	79141-000	23B-26	79236-007	26-44
76471-000	9-1	78112-002	27-86	79142-000	23B-27	79236-010	27-33
76471-903	9-5	78112-002	27A-92	79143-000	23B-15	79236-010	27A-16
76471-905	9-23	78112-003	26-57	79143-002	23B-15	79236-011	27-33
76471-905	13-1	78112-003	27-86	79143-003	23B-15	79236-011	27A-16
76471-908	9-9	78112-003	27A-92	79143-004	23B-15	79236-016	26-45
76471-909	9-14	78112-005	26-57	79144-000	23B-15	79236-016	27-34
76471-909	10-1	78112-005	27-86	79144-002	23B-15	79236-016	27A-17
76471-910	9-19	78112-005	27A-92	79144-003	23B-15	79245-000	43-2
76471-910	12-1	78113-000	21-6	79144-004	23B-15	79251-000	28A-8a
76474-000	9-7	78119-000	17-2	79152-000	93-30	79251-000	28C-32
76474-002	8-3	78123-000	12-80	79152-002	93-30	79252-000	28A-7
76474-002	9-7	78140-033	73B-6	79154-000	23A-6	79252-000	28C-33
76474-900	9-7	78140-039	73B-14	79154-000	23B-6	79258-000	13-63
76474-902	8-3	78475-004	5-12	79155-000	23A-6	79258-001	13-63
76475-000	9-37	78475-005	5-12	79155-000	23B-6	79264-000	32E-15
76475-900	9-37	78500-008	5-15	79156-000	27-72	79267-000	15-36
76476-000	8-4	78500-009	5-15	79157-000	26-75	79268-000	50A-7
76476-000	9-6	78729-002	80-1	79157-000	27-72	79270-000	32E-32
76476-001	8-4	78738-002	37-34	79160-000	93-31	79271-000	32E-33
76476-001	9-8	78738-003	37-34	79161-000	12-19	79272-000	15-18
76476-900	8-4	78738-004	37-34	79171-002	23A-37	79275-000	80-2
76476-900	9-6	78738-005	37-34	79171-002	23B-32	79275-000	81-2
76476-901	8-4	78741-002	24-2	79171-008	23A-35	79276-000	80-1
76476-901	9-8	78741-002	24-17	79171-009	23A-36	79276-000	81-1

PIPER PARTS CATALOG

Part Number	Figure and Index No.	Part Number	Figure and Index No.	Part Number	Figure and Index No.	Part Number	Figure and Index No.
79280-000	32E-25	79412-002	68-53	79536-001	28A-3a	79562-000	23A-21
79281-000	32E-22	79414-000	68-54	79538-000	28C-14	79562-000	23B-16
79282-000	32E-23	79427-002	8-44	79538-001	28C-14	79563-900	8-7
79284-000	32E-27	79427-002	9-39	79538-002	28C-14	79563-901	9-18
79285-000	32E-28	79430-000	48-11	79538-003	28C-14	79563-904	8-10
79286-000	32E-21	79434-000	24-24	79539-000	28C-14	79563-905	9-18
79287-000	32E-26	79436-000	28A-25	79539-001	28C-14	79566-000	11-49
79290-000	32E-24	79437-000	32A-39	79539-002	28C-14	79567-000	11-51
79292-000	32E-36	79440-000	27-95	79539-003	28C-14	79569-000	8-23a
79293-004	32E-44	79440-000	27A-83	79542-003	24A-11	79569-000	9-15
79296-012	12-27	79442-000	28A-14	79542-004	24A-11	79569-900	8-23a
79296-013	12-27	79442-000	28A-23	79542-005	24A-11a	79569-901	9-15
79296-016	23A-1	79442-000	28C-40	79542-006	24A-11a	79570-000	8-8
79296-016	23B-1	79445-000	26-82	79543-002	37-25	79570-000	8-11
79296-017	23A-2	79445-000	27-22	79545-000	24A-8	79570-900	8-8
79296-017	23B-2	79445-000	27A-27	79545-002	24A-8	79570-901	8-11
79296-018	23A-1	79452-000	24-4b	79545-003	24A-8	79572-000	22-31
79296-018	23B-1	79453-000	15-25	79547-000	12-50	79572-000	23-21a
79296-019	23A-2	79455-000	26-68	79547-002	8-20	79572-000	23A-16a
79296-019	23B-2	79455-000	27-55	79547-002	12-52	79572-000	23B-14a
79296-020	23B-4	79455-000	27A-55	79547-003	12-51	79573-000	8-13
79296-021	23B-4	79456-000	26-102	79549-000	8-1	79573-002	9-10
79303-000	32E-31	79456-000	27-108	79549-903	8-6	79573-900	8-13
79309-000	80-2	79456-000	27A-98	79549-905	8-26	79573-901	9-10
79314-000	17-56	79463-000	93C-8	79549-905	13-1	79576-000	8-25
79314-002	17-56	79463-000	93A-16	79549-907	8-39	79576-000	9-20
79319-000	13-23a	79463-002	93B-7	79549-907	13-61	79576-002	9-20
79322-003	28A-10a	79468-000	10-22	79549-907	14-1	79576-900	8-25
79329-000	10-7	79468-000	11-24	79549-908	8-12	79576-901	9-20
79329-002	10-7	79473-000	57C-19a	79549-909	8-21	79577-000	9-3
79329-003	11-8	79473-000	59-5a	79549-909	10-1	79577-002	8-9
79333-000	70-37	79475-000	24A-16	79545-910	8-24	79577-900	9-3
79337-000	28A-1	79475-005	24A-15	79549-910	12-1	79577-901	8-9
79337-001	28A-1	79475-007	24A-17	79549-946	13-2	79578-000	8-29
79337-002	28A-1	79475-008	24A-18	79549-947	13-6	79578-000	9-26
79337-003	28A-1	79475-009	24A-19	79549-948	13-6	79578-002	8-29
79337-006	28A-3	79475-016	24A-16	79549-963	8-40	79578-002	9-26
79337-007	28A-3	79475-020	24A-15	79553-000	10-21	79578-003	9-26
79337-008	28A-3	79475-022	24A-19	79553-000	11-23	79578-900	8-29
79337-009	28A-3	79475-033	24A-42	79553-001	10-21	79578-902	9-26
79337-016	28A-2	79475-034	24A-43	79553-001	11-23	79578-903	9-26
79337-016	28A-18	79475-055	24A-15	79554-002	28A-2h	79580-000	8-41
79337-016	28C-2	79475-056	24A-15	79554-002	28C-3b	79580-000	9-34
79337-017	28A-2	79475-057	24A-15	79555-000	28A-2a	79580-001	8-41
79337-017	28C-2	79475-058	24A-15	79555-000	28A-18a	79580-001	9-34
79337-018	28A-27	79475-059	24A-15	79555-000	28C-2a	79580-900	8-41
79362-000	16-29	79475-060	24A-15	79555-001	28A-2a	79580-900	9-34
79362-000	17-37	79515-003	24A-24	79555-001	28C-2a	79580-901	8-41
79363-000	17-32	79515-004	24A-24	79555-000	23A-5	79580-901	9-34
79364-000	17-32	79515-005	24A-25	79557-000	23B-5	79581-900	8-40a
79365-000	17-38a	79515-006	24A-25	79558-002	32A-10	79581-900	9-36a
79366-000	16-31	79515-007	24A-28	79559-000	26-104	79582-000	8-28
79366-000	17-38a	79515-013	24A-22	79560-000	90-18	79582-002	9-24
79367-000	17-35	79515-015	24A-30	79561-003	8-14	79582-003	9-24
79370-000	17-33	79515-035	24A-21	79561-003	9-21	79582-900	8-28
79371-000	17-33	79527-002	17-66	79561-004	12-11a	79582-901	9-24
79376-000	17-38	79528-000	49-59	79561-005	12-3	79582-902	9-24
79380-000	26-2	79530-002	24A-31	79561-006	12-4	79584-008	32A-8
79404-000	26-103	79532-002	24A-34	79561-007	12-11	79585-000	8-27
79404-000	27-109	79535-000	28A-3a	79561-900	12-2	79585-000	9-25
79405-000	10-45	79535-001	28A-3a	79561-901	12-2	79585-002	9-25
79405-000	11-43	79536-000	28A-3a	79561-903	12-9	79585-900	8-27

PIPER PARTS CATALOG

Part Number	Figure and Index No.	Part Number	Figure and Index No.	Part Number	Figure and Index No.	Part Number	Figure and Index No.
79585-901	9-25	80032-069	53-74	91193-000	57-56	96810-002	28B-2a
79590-002	28C-1	80032-069	55-74	91193-000	66-102	96810-002	28C-2a
79590-003	28C-1	80122-005	24-78	95061-064	38-55	96810-003	28A-2a
79591-002	28C-1	80122-020	34-66	95061-091	28A-48	96810-003	28C-2a
79591-003	28C-1	80122-055	56-58	95061-092	29-7	96814-000	28A-3a
79599-000	93C-9	80122-088	35-39	95061-106	28A-5	96814-001	28A-3a
79600-000	16-67	80122-088	39-28	95061-106	28C-34	96827-000	28A-17
79600-000	17-68	80122-089	39-26	95061-121	57B-41	96827-001	28A-17
79615-002	31A-59	80122-091	38-48	95061-144	35-24	96827-006	28A-19
79615-002	31B-38	80421-000	77-13	95061-151	32A-11	96827-007	28A-19
79615-002	32-52	81262-068	24-27	95061-161	28A-7	96827-011	28A-17
79615-003	31A-59	81262-074	24-51	95061-161	28C-33	96827-012	28A-17
79615-003	31B-38	82371-056	56-26	95061-180	28A-34a	96827-017	28A-19
79615-003	32-52	82371-090	18-6	95061-186	28A-34a	96827-018	28A-19
79639-002	12-57a	82732-075	24-55	95228-000	68-30	96827-022	28A-17
79647-002	24A-23	82732-076	76-49	95241-002	17-31	96827-023	28A-17
79650-002	16-10b	82732-076	80-38	95241-003	17-31	96827-026	28A-19
79650-002	17-13b	82732-076	81-34	95241-004	17-31	96827-027	28A-19
79655-000	10-22	82732-099	34-9	95241-005	17-31	96863-000	24-64b
79702-004	27B-4	83161-002	20-25	95241-007	17-31	96864-000	24-101a
79702-007	27B-5	83161-002	49-34	95241-011	17-31	96866-000	12-79
79702-009	27B-4	83302-043	24-28	95241-012	17-31	96868-000	24-95c
79721-020	27B-1	85012-014	16-18	95241-013	17-31	96869-000	24-95a
79721-021	27B-1	85012-014	17-53	95241-014	17-31	96870-000	24-95b
79721-022	27B-2	85012-030	28-21	95241-015	17-31	96872-000	24-64c
79721-023	27B-2	85012-047	56-7-7	95241-017	17-31	96873-000	12-80
79721-024	27B-3	85012-047	66-112	95504-000	76-6	96887-000	13-23
79721-025	27B-3	85012-072	33-2-3	95636-000	4-14	96887-002	13-23
79739-002	10-13	85012-101	56-78	95636-000	5-16	96890-000	13-22
79739-002	11-32	85012-101	57A-49	95636-001	4-14	96890-001	13-22
79739-003	10-13	85012-101	58-57	95636-001	5-16	96908-000	26-63
79739-003	11-32	85061-000	33-6	95639-002	3-2	96908-000	28A-32
79762-002	93B-5	86062-056	33-22	95639-003	3-2	96908-000	28A-33
79764-002	28A-27	86062-094	56-20	95643-006	2-10	96908-000	29-5
79781-002	27-95	86062-094	66-80	95643-006	38-32	96919-000	24-83
79781-002	27A-83	86092-082	57B-51	95643-007	2-10	99002-006	17-20
79783-002	26-93	86092-082	59-45	95643-007	38-32	99010-002	17-18
79787-002	27-81	86092-082	67A-31	96352-003	2-30	99022-000	17-17
79795-002	10-25	86102-056	28-22	96352-003	2-33	99031-000	73A-2
79795-002	11-31	87319-002	34-19	96352-003	2-34	99035-003	50-4
79795-003	11-30	87319-003	34-18	96437-000	3-34	99038-000	4-5
79795-004	11-30	87332-002	28-27	96564-000	50-29	99039-000	4-5
79795-008	10-23	87332-002	28-28	96610-007	3-29	99040-000	4-7
79795-009	10-24	87332-002	28A-6	96611-000	28A-15c	99040-001	4-7
79800-002	39-3	87332-002	28B-4	96684-000	26-66	99040-002	4-7
79828-003	27-100	87332-002	28C-36	96684-000	27-57	99040-003	4-7
79828-003	27A-88	87358-004	33-25	96709-000	50-4	99044-002	60-3
79836-002	27-19	87369-022	84-1a	96713-002	50-4	99044-003	60-4
79836-002	27A-28	87369-026	58-92	96806-006	28A-3	99044-004	60-5
79838-002	27-19	87379-003	16-16	96806-007	28A-3	99044-005	60-2
79839-003	32B-25	87379-003	17-14	96806-008	28A-3	99045-000	13-29
79840-004	32B-26	87379-003	16-16	96806-009	28A-3	99047-000	58-18
79863-002	11-15	87379-003	17-14	96806-012	28A-2	99059-000	17-45
79863-003	10-12G	88416-001	31A-1	96806-012	28C-2	99059-004	17-45
79886-003	32A-14	88468-002	Misc.	96806-017	28A-27	99059-006	17-45
79886-004	32A-15	88472-002	Misc.	96806-022	28A-2	99060-000	17-44
79886-007	32A-16	90797-002	51-48	96806-022	28C-2	99060-000	17-48
79886-011	32A-13	90797-002	52-48	96806-023	28A-2	99060-004	17-44
80012-017	29-7	90797-002	53-71	96806-023	28C-2	99060-004	17-48
80032-034	30-12	91193-000	31A-42	96806-024	28A-2	99060-006	17-44
80032-069	51-47	91193-000	32-21	96806-026	28A-27	99061-000	17-46
80032-069	52-47	91193-000	56-50	96810-002	28A-2a	99061-004	17-16

PIPER PARTS CATALOG

Part Number	Figure and Index No.	Part Number	Figure and Index No.	Part Number	Figure and Index No.	Part Number	Figure and Index No.
99061-006	17-46	99116-000	27A-88	99133-013	27-24	99146-008	26-5
99061-006	17-48	99116-002	27-100	99134-002	27-26	99146-009	26-5
99062-000	17-47	99116-002	27A-88	99134-002	27A-4	99146-010	26-5
99062-004	17-47	99116-003	27-100	99134-003	27-26	99146-011	26-5
99062-000	17-47	99116-003	27A-88	99134-004	27-26	99146-012	26-5
99064-000	17-48	99121-000	68-15	99134-004	27A-4	99146-013	26-5
99064-004	17-48	99122-000	13-28	99134-005	27-26	99146-014	26-5
99064-006	17-48	99123-000	13-28	99134-006	27-26	99146-015	26-5
99066-000	17-48	99126-000	13-24	99134-006	27A-4	99146-016	26-5
99066-004	17-48	99126-002	13-24	99134-007	27-26	99146-017	26-5
99066-006	17-48	99127-000	13-24	99134-008	27-26	99147-002	26-4
99072-000	32A-9	99127-002	13-24	99134-008	27A-4	99147-003	26-4
99077-000	28A-19a	99129-000	13-24	99134-009	27-26	99147-004	26-4
99077-001	28A-19a	99129-002	13-24	99134-010	27-26	99147-005	26-4
99077-006	28A-3a	99130-003	68-64	99134-010	27A-4	99147-006	26-4
99077-007	28A-3a	99131-002	27-23	99134-011	27-26	99147-007	26-4
99077-010	28A-3a	99131-003	27-23	99134-012	27-26	99147-008	26-4
99077-011	28A-3a	88131-004	27-23	99134-012	27A-4	99147-009	26-4
99077-016	28A-19a	99131-005	27-23	99134-013	27-26	99148-002	26-6
99077-017	28A-19a	99131-006	27-23	99135-002	24-69	99148-003	26-6
99080-000	32A-33	99131-007	27-23	99135-003	24-69	99148-004	26-6
99093-000	28A-2a	99131-008	27-23	99135-004	24-69	99148-005	26-6
99093-000	28A-18a	99131-009	27-23	99135-005	24-69	99148-006	26-6
99093-000	28B-2a	99131-010	27-23	99135-006	24-69	99148-007	26-6
99093-007	28A-2a	99131-011	27-23	99135-007	24-69	99148-008	26-6
99094-002	64-13c	99131-012	27-23	99135-008	24-69	99148-009	26-6
99094-002	65-5	99131-013	27-23	99135-009	24-69	99148-010	26-6
99094-002	66-54	99132-002	27-25	99135-010	24-69	99148-011	26-6
99096-000	64-11	99132-002	27A-3	99135-011	24-69	99148-012	26-6
99096-000	65-2	99132-003	27-25	99135-012	24-69	99148-013	26-6
99096-000	66-56	99132-004	27-25	99135-013	24-69	99148-014	26-6
99105-000	32-4	99132-004	27A-3	99136-002	27A-1	99148-015	26-6
99105-002	31A-3	99132-005	27-25	99136-003	27A-1	99148-016	26-6
99105-003	31A-3	99132-006	27-25	99136-004	27A-1	99148-017	26-6
99105-003	31B-3	99132-006	27A-3	99136-005	27A-1	99149-002	24-69
99105-004	31B-3	99132-007	27-25	99136-006	27A-1	99149-003	24-69
99113-002	26-46	99132-008	27-25	99136-007	27A-1	99149-004	24-69
99113-003	26-46	99132-008	27A-3	99138-000	17-6	99149-005	24-69
99113-004	26-46	99132-009	27-25	99139-000	27-95	99149-006	24-69
99113-005	26-46	99132-010	27-25	99139-000	27A-83	99149-007	24-69
99113-006	26-46	99132-010	27A-3	99140-000	27-94	99149-008	24-69
99113-007	26-46	99132-011	27-25	99140-000	27A-82	99149-009	24-69
99113-012	26-46	99132-012	27-25	99141-003	27-93	99170-000	68A-22
99113-013	26-46	99132-012	27A-3	99141-003	27A-81	99181-003	25-51
99113-014	26-46	99132-013	27-25	99142-000	27-96	99181-003	26-53
99113-015	26-46	99133-002	27-24	99142-000	27A-84	99181-003	27-90
99113-016	26-46	99133-002	27A-2	99143-000	27-103	99184-002	27-89A
99113-017	26-46	99133-003	27-24	99143-000	27A-91	99184-003	2789B
99114-002	27-37	99133-004	27-24	99145-002	26-3	99184-004	27-89C
99114-002	27A-20	99133-004	27A-2	99145-003	26-3	99184-005	27-89D
99114-003	27-37	99133-005	27-24	99145-004	26-3	99198-000	68-25
99114-003	27A-20	99133-006	27-24	99145-005	26-3	99209-000	86A-3
99114-004	27-37	99133-006	27A-2	99145-006	26-3	99214-000	17-69
99114-004	27A-20	99133-007	27-24	99145-007	26-3	99221-000	62-2
99114-005	27-37	99133-008	27-24	99145-008	26-3	99222-002	68-17
99114-005	27A-20	99133-008	27A-2	99145-009	26-3	99222-003	68-17
99114-006	27-37	99133-009	27-24	99146-002	26-5	99222-004	68-17
99114-006	27A-20	99133-010	27-24	99146-003	26-5	99222-009	68-17
99114-011	26-48	99133-010	27A-2	99146-004	26-5	99222-010	68-17
99114-012	26-48	99133-011	27-24	99146-005	26-5	99225-000	62-1
99114-013	26-48	99133-012	27-24	99146-006	26-5	99240-000	26-64
99116-000	27-100	99133-012	27A-2	99146-007	26-5	99240-000	27-50

PIPER PARTS CATALOG

Part Number	Figure and Index No.	Part Number	Figure and Index No.	Part Number	Figure and Index No.	Part Number	Figure and Index No.
99240-000	27A-38	99306-000	73-6	99385-008	28A-19	99466-004	15-1
99242-002	28A-46	99311-000	53-78	99387-000	32C-1	99466-005	9-2
99242-003	28A-46	99344-000	95-15	99388-000	8-12	99466-005	15-1
99242-004	28A-46	99353-000	28B-1	99388-002	8-21	99466-009	8-2
99242-006	28A-46	99353-001	28B-1	99388-002	10-1	99466-009	15-1
99242-007	28A-46	99353-002	28B-1	99388-005	8-23a	99466-010	9-2
99242-013	28A-46	99353-003	28B-1	99388-006	8-12	99466-010	15-1
99242-013	29-8	99353-006	28B-2	99388-007	8-21	99466-012	8-2
99243-003	26-7	99353-007	28B-2	99388-007	10-1	99466-012	15-1
99243-004	26-7	99353-008	28B-3	99388-008	8-12	99466-013	8-2
99243-005	26-7	99353-009	28B-3	99388-009	8-23a	99466-013	15-1
99245-002	27-99	99353-010	28B-3	99388-010	8-21	99466-014	9-2
99245-002	27A-87	99353-011	28B-3	99388-010	10-1	99466-014	15-1
99245-004	27-99	99353-014	28B-1	99388-014	8-21	99466-015	9-2
99245-004	27A-87	99353-015	28B-1	99388-014	10-1	99466-015	15-1
99245-005	27-99	99353-018	28B-2	99389-000	9-9	99466-016	9-2
99245-005	27A-87	99353-019	28B-3	99389-002	9-14	99466-016	15-1
99245-006	27-99	99353-020	28B-3	99389-002	10-1	99466-017	9-2
99245-006	27A-87	99356-000	26-36	99389-003	9-9	99466-017	15-1
99245-007	27-99	99356-002	26-36	99390-000	9-9	99468-000	15-2
99245-007	27A-87	99358-000	29-2	99390-002	9-9	99468-003	15-2
99252-002	26-56	99359-000	29-1	99390-003	9-14	99469-004	15-6
99252-002	27-98	99361-000	28A-28	99390-003	10-1	99470-000	15-3
99252-002	27A-86	99364-000	51-122	99390-004	9-14	99470-001	15-3
99252-003	26-56	99364-000	52-117	99390-004	11-1	99471-000	15-5
99252-003	27-98	99364-000	53-110	99390-005	9-15	99471-001	15-5
99252-003	27A-86	99364-000	55-83	99390-006	9-9	99471-002	15-5
99252-004	26-56	99365-000	52-117	99390-007	9-15	99471-003	15-5
99252-004	27-98	99365-000	53-110	99395-000	93-21	99478-000	17-23
99252-004	27A-86	99366-000	55-84	99395-000	95-9	99479-002	16-63
99252-005	26-56	99367-000	54-84	99395-002	93-21	99479-002	17-43
99252-005	27-98	99377-002	69A-15	99395-002	95-9	99480-000	17-49
99252-005	27A-86	99377-002	70-14	99395-003	93-21	99482-000	60-13
99252-007	26-56	99377-003	69A-16	99395-003	95-9	99482-002	60-13
99252-007	27-98	99377-003	70-16	99398-000	94-5	99484-000	17-8
99252-007	27A-86	99377-004	21-17	99401-000	94-10	99487-000	15-57
99252-009	27-98	99377-005	69A-14	99406-000	22A-14	99487-001	15-57
99252-009	27A-86	99377-005	70-17	99416-000	31A-1	99488-000	15-58
99252-010	26-56	99377-006	69A-17	99416-000	31B-1	99495-000	32C-5
99252-010	27-98	99377-006	70-15	99416-001	31B-1	99496-000	15-48
99252-010	27A-86	99377-006	73A-4	99416-002	32-2	99496-002	15-48
99255-000	28A-27	99377-007	73A-4	99416-003	32-2	99498-000	15-61
99255-002	28A-27	99377-016	69A-17	99417-000	13-44	99499-000	58-8
99255-003	28A-27	99377-016	70-15	99417-000	13-45	99499-000	66-18
99263-000	32C-3	99377-017	69A-15	99418-000	13-44	99499-000	67-13
99271-000	32C-8	99377-017	70-14	99418-001	13-44	99499-000	67A-25
99272-000	15-50	99377-018	69A-16	99421-000	12-49	99500-000	32B-17
99273-000	15-51	99377-018	70-16	99448-000	86A-11	99500-004	32B-17
99275-002	32C-4	99384-000	28A-1	99450-000	25-58	99500-006	32B-17
99275-002	32C-9	99384-001	28A-1	99450-000	27-42	99500-006	32E-1
99275-004	32C-28	99384-002	28A-1	99450-000	27A-25	99500-008	32E-1
99278-003	15-52	99384-003	28A-1	99458-000	25-57	99503-002	32B-25
99280-000	15-59	99384-006	28A-2	99458-000	26-30	99505-000	32B-27
99280-001	15-59	99384-007	28A-2	99458-000	27-76	99505-002	32B-27
99289-000	57-61	99384-008	28A-3	99458-000	27A-64	99505-002	32E-4
99289-000	57A-32	99384-009	28A-3	99466-000	8-2	99506-000	32B-25
99289-000	66-85	99384-010	28A-3	99466-000	15-1	99507-000	32B-25
99295-002	25-50	99384-011	28A-3	99466-002	8-2	99510-000	32B-27
99295-013	27-89	99385-000	28A-17	99466-002	15-1	99510-002	32B-27
99295-016	27-89	99385-001	28A-17	99466-003	8-2	99513-000	17-7
99305-008	28B-3a	99385-004	28A-18	99466-003	15-1	99513-003	17-7
99305-009	28B-3a	99385-007	28A-19	99466-004	8-2	99515-000	64-20

PIPER PARTS CATALOG

Part Number	Figure and Index No.	Part Number	Figure and Index No.	Part Number	Figure and Index No.	Part Number	Figure and Index No.
99515-002	64-20a	99635-009	27-89	99660-006	27A-4	99681-012	28A-2f
99515-003	64-20b	99640-000	32B-1	99660-007	27-26	99681-013	28A-2f
99521-000	68A-4	99640-002	32B-1	99660-007	27A-4	99686-000	12-74
99522-002	32B-22	99640-003	32B-2	99660-008	27-26	99686-001	12-74
99523-000	56-70	99640-004	32B-2	99660-009	27-26	99687-000	12-77
99526-000	32A-31	99641-000	32B-6	99660-010	27-26	99687-001	12-77
99528-000	68A-20	99641-000	32E-12	99660-011	27-26	99688-000	12-75
99537-000	68A-1	99642-003	32E-9	99660-012	27-26	99688-001	12-75
99537-002	68A-1	99644-000	32B-30	99660-013	27-26	99689-000	12-78
99539-000	32B-28	99646-002	32B-9	99661-000	32B-15	99690-000	12-74
99539-002	32B-28	99648-000	32B-12	99662-002	27-23	99690-001	12-74
99541-000	32B-22	99650-000	32B-13	99662-003	27-23	99691-000	12-77
99541-002	32B-22	99656-003	27A-1	99662-004	27-23	99691-001	12-77
99545-000	15-55	99656-004	27A-1	99662-005	27-23	99692-000	12-75
99549-007	15-3	99656-005	27A-1	99662-006	27-23	99692-001	12-75
99549-008	15-3	99656-006	27A-1	99662-007	27-23	99693-000	12-78
99550-002	32B-29	99656-007	27A-1	99667-002	17-3b	99696-000	69A-6
99550-003	32B-29	99657-002	27-25	99667-003	17-3b	99696-000	70-3
99552-000	15-53	99657-002	27A-3	99667-004	17-3b	99699-000	14-27
99552-002	15-53	99657-003	27-25	99667-005	17-3b	99700-000	14-10
99555-000	15-56	99657-003	27A-3	99667-006	17-3b	99700-001	14-10
99557-000	32C-22	99657-004	27-25	99667-007	17-3b	99700-002	14-10
99558-000	15-54	99657-004	27A-3	99670-000	17-59	99700-003	14-10
99559-000	15-4	99657-005	27-25	99672-008	17-3	99701-000	14-16a
99559-001	15-4	99657-005	27A-3	99672-009	17-3	99714-000	26-39
99561-000	15-49	99657-006	27-25	99672-010	17-3	99715-000	26-37
99561-000	32C-25	99657-006	27A-3	99672-011	17-3	99715-000	26-62
99568-000	60-11	99657-007	27-25	99672-012	17-3	99717-000	68A-2
99569-000	32C-27	99657-007	27A-3	99672-013	17-3	99717-000	68A-26
99572-000	32C-26	99657-008	27-25	99672-014	17-3	99718-001	28A-16a
99572-004	32C-26	99657-009	27-25	99672-015	17-3	99718-001	28C-5
99573-000	62-5	99657-010	27-25	99672-016	17-3	99718-005	28A-16a
99577-000	62-2	99657-011	27-25	99672-017	17-3	99718-005	28C-5
99578-000	62-4	99657-012	27-25	99672-018	17-3	99718-006	28C-5
99580-000	32A-32	99657-013	27-25	99672-019	17-3	99719-003	28C-6
99589-000	63-9	99658-002	27-24	99674-000	68A-3	99719-016	28C-7
99591-000	50-56	99658-002	27A-2	99678-000	28A-2e	99719-019	28C-7
99591-000	50-56	99658-003	27-24	99678-001	28A-2e	99721-002	28A-2g
99592-002	32A-19	99658-003	27A-2	99678-002	28A-2e	99721-003	28A-2g
99592-003	32A-22	99658-004	27-24	99678-003	28A-2e	99724-000	28A-9
99592-004	32A-22	99658-004	27A-2	99678-004	28A-2e	99727-001	28A-1
99592-005	32A-19	99658-005	27-24	99678-005	28A-2e	99727-003	28A-1
99592-006	32A-22	99658-005	27A-2	99678-007	28A-2e	99727-007	28A-2
99592-007	32A-19	99658-006	27-24	99678-008	28A-2e	99727-008	28A-3
99594-000	63-10	99658-006	27A-2	99678-009	28A-2e	99727-009	28A-3
99595-000	63-2	99658-007	27-24	99678-010	28A-2e	99727-010	28A-3
99600-000	61-8	99658-007	27A-2	99678-011	28A-2e	99727-011	28A-3
99601-000	61-5	99659-002	24-69	99678-012	28A-2e	99727-015	28A-2
99607-000	50-5	99659-003	24-69	99678-013	28A-2e	99727-016	28A-1
99609-000	15-11	99659-004	24-69	99680-008	93-22	99727-017	28A-1
99610-000	93-12	99659-005	24-69	99681-000	28A-2f	99727-020	28A-2
99610-002	93-13	99659-006	24-69	99681-001	28A-2f	99727-023	28A-2
99615-000	15-46	99659-007	24-69	99681-002	28A-2f	99727-024	28A-2
99615-001	15-46	99660-002	27-26	99681-003	28A-2f	99727-025	28A-2
99619-002	50-15	99660-002	27A-4	99681-004	28A-2f	99730-000	28A-17
99621-000	50-16	99660-003	27-26	99681-005	28A-2f	99730-001	28A-17
99624-000	32A-7	99660-003	27A-4	99681-006	28A-2f	99730-004	28A-18
99631-000	15-47	99660-004	27-26	99681-007	28A-2f	99730-007	28A-19
99633-000	32B-8	99660-004	27A-4	99681-008	28A-2f	99730-008	28A-19
99633-000	32E-14	99660-005	27-26	99681-009	28A-2f	99735-000	17-12
99634-000	32B-26	99660-005	27A-4	99681-010	28A-2f	99735-002	17-12
99635-009	26-52	99660-006	27-26	99681-011	28A-2f	99735-003	17-10a

PIPER PARTS CATALOG

Part Number	Figure and Index No.	Part Number	Figure and Index No.	Part Number	Figure and Index No.	Part Number	Figure and Index No.
99735-003	17-12	99889-000	93A-10	106869-007	68A-16	400-171	57C-6
99737-002	27-14	99889-000	93B-11			400-171	59-6
99737-002	27A-11	99903-002	23B-30			400-171	67A-6
99738-002	27-15	99903-003	23A-32	151-310	77-14	400-191	34-63
99738-003	27-15	99903-003	23B-29	179-872	2-23	400-218	34-73
99741-000	12-76	99903-004	23B-31	179-876	Misc.	400-224	32C-24
99741-001	12-76	99903-005	23A-37	187-625	33A-20	400-272	34-69
99744-000	68-25	99903-005	23B-32	187-630	35-10	400-274	56-61
99745-000	68-21	99904-002	23A-34	187-630	39-6	400-274	56-62
99748-000	32D-1	99904-003	23A-35	189-139	24A-2	400-309	56-61
99748-001	32D-1	99904-004	23A-36	400-002	28A-10c	400-310	56-61
99753-000	31A-24	99904-005	23A-33	400-002	28C-46	400-328	56-62
99771-000	62-3	99920-002	27-15	400-002	63-11	400-329	56-62
99783-000	24-67	99920-002	27A-12	400-002	72-11	400-437	77-62
99792-000	63-1	99920-003	27-15	400-003	37-15	400-437	78-24
99799-002	50-28	99920-003	27A-12	400-003	43-8	400-437	78-28
99801-000	27-14	99921-000	17-60	400-003	43-9	400-437	84-59
99801-000	27A-11	99927-004	27A-13	400-003	50-35	400-438	33A-33
99801-002	27-14	99927-007	27A-13	400-003	50-43	400-438	56-29
99801-002	27A-11	99927-010	27A-13	400-003	50D-25	400-438	57-43
99802-002	50-28	99927-020	27A-13	400-004	2-35	400-438	65-11
99803-003	50-28	99927-021	27A-13	400-004	28A-39	400-438	66-84
99805-003	15-44	99929-000	57B-49	400-004	29-12	400-438	76-41
99807-000	17-5	99934-000	31A-8	400-004	38-51	400-438	77-63
99807-000	67A-34	99943-000	23A-31	400-004	38-52	400-438	77-104
99808-000	17-6	99943-000	23B-28	400-004	50D-26	400-438	78-30
99808-000	67A-36	99943-000	24-112	400-004	76-42	400-438	82-17
99811-000	27-72	99943-000	24A-13	400-008	74-45	400-438	83-17
99811-002	26-75	99944-002	57-18	400-008	75-46	400-438	84-56
99813-002	15-44	99944-002	57A-25	400-008	82-8	400-438	86-16
99818-000	26-26	99944-004	66-4	400-008	83-7	400-440	28-16
99818-000	27-79	99948-000	29-2	400-009	2-44	400-440	28A-38
99818-000	27A-31	99949-000	29-1	400-009	28-15	400-440	32C-35
99819-000	27-79	99950-000	17-61	400-009	28A-40	400-440	33-20
99841-000	93-3	99952-000	17-62	400-009	32A-17	400-440	34-76
99841-004	93-3	99959-000	17-9	400-012	76-4	400-440	76-39
99849-002	56-33	99959-002	17-9	400-015	36-11	400-440	84-56
99849-003	56-34	99959-003	17-9	400-025	80-25	400-441	32C-31
99849-004	56-34	99959-004	17-9	400-054	49-46	400-441	33-20
99849-006	58-73	99959-005	17-9	400-054	57B-41	400-441	77-50
99849-007	58-74	99959-007	17-9	400-055	57B-56	400-441	77-66
99850-000	27A-12	99967-000	26-98	400-055	57C-58	400-441	77-67
99850-001	27A-12	99967-000	27-105	400-055	81-36	400-441	77-68
99851-000	68A-9	99967-000	27A-93	400-056	50-33	400-441	77-103
99853-000	32C-16	99968-000	26-98	400-056	59-64	400-443	13-38
99854-000	32C-11	99968-000	27-105	400-056	80-39	400-443	34-72
99856-000	78-55	99968-000	27A-93	400-056	81-36	400-443	74-66
99862-000	68A-18	99985-000	66-41	400-057	57B-41	400-443	75-54
99867-000	32C-18	99990-000	23A-41	400-058	33-54	400-443	76-35
99868-000	50-5	99990-000	23B-35	400-102	32-38	400-443	77-108
99875-000	17-12	99990-000	24-110	400-103	61-10	400-443	84-53
99878-000	23B-26	99991-000	26-101	400-108	34-61	400-443	85-13
99878-001	23B-27	99991-000	27-107	400-110	28-31	400-444	2-43
99879-000	23B-25	99991-000	27A-96	400-111	28-32	400-444	10-49
99885-000	17-5	99997-000	23A-40	400-112	24A-27	400-444	11-48
99885-002	17-5	99997-000	23B-36	400-112	34-70	400-444	75-60
99886-000	17-6	99997-000	24-111	400-113	46-27	400-444	85-14
99887-002	93A-8	99997-000	24A-11b	400-113	47-26	400-446	77-69
99887-004	93B-9	99999-000	68A-27	400-159	29-10	400-446	78-57
99887-006	93C-7	105041-002	39-7	400-165	37-37	400-448	33-55
99888-000	93A-9	106869-004	68A-16	400-166	37-47	400-448	76-39
99888-000	93B-10	106869-005	68A-16	400-171	57B-7	400-448	82-20

PIPER PARTS CATALOG

Part Number	Figure and Index No.	Part Number	Figure and Index No.	Part Number	Figure and Index No.	Part Number	Figure and Index No.
400-449	77-70	400-861	32C-37	401-270	80-30	401-535	56-62
400-450	33-53	400-861	32C-38	401-273	32C-7	401-535	57-29
400-450	33-55	400-862	24A-60	401-273	33A-32	401-535	57A-53
400-450	38-43	400-863	28A-51	401-274	34-48	401-543	56-62
400-450	50-34	400-869	82-7	401-274	34-50	401-543	57A-50
400-450	78-23	400-869	83-9	401-274	34-71	401-543	58-59
400-451	13-38	400-871	34-12	401-274	76-19	401-544	56-61
400-451	82-19	400-871	34-13	401-275	42-35	401-544	57A-50
400-452	33-53	400-876	47-27	401-279	78-26	401-544	58-58
400-453	33-55	400-880	38-30a	401-281	78-57	401-918	33-15
400-456	82-19	400-880	38-31	401-286	42-32	401-918	37-35
400-456	83-15	400-883	12-30	401-300	84-55	401-918	66-108
400-457	74-50	400-885	34-59	401-301	58-87	401-919	57A-38
400-457	82-20	400-886	34-59	401-301	66-19	401-919	58-60
400-458	74-50	400-903	28-14	401-301	67-14	401-919	58-61
400-482	76-19d	400-916	28A-16	401-301	67A-26	401-919	58-79
400-463	66-81	400-916	28A-26	401-307	73-14	401-920	58-61
400-464	56-29	401-185	73-12	401-310	43-3	401-926	58-60
400-464	66-81	401-187	2-32	401-310	57-44	401-928	58-79
400-481	75-53	401-187	28A-38	401-310	58-53	401-970	32A-38
400-616	32A-30	401-188	74-40	401-310	66-111	401-971	32A-34
400-652	76-36	401-188	74-54	401-310	80-37	401-986	32A-37
400-653	76-37	401-188	75-56	401-310	81-27	401-987	32A-35
400-653	76-38	401-189	75-58	401-311	37-14	401-988	32A-29
400-653	80-29	401-195	33A-25	401-315	28-31	402-032	77-72
400-653	80-31	401-260	42-14	401-315	28-32	402-032	77-105
400-653	81-35	401-265	28-18	401-315	28B-25	402-057	12-28
400-664	77-71	401-265	28A-37	401-315	29-10	402-057	12-29
400-665	24A-35	401-265	28A-51	401-318	28C-45	402-679	75-49
400-672	76-44	401-265	35-38	401-318	38-48	402-680	50-36
400-672	79-3	401-266	13-56	401-318	74-60	402-775	33-6
400-672	82-18	401-266	24-113	401-318	76-52	402-890	15-34
400-673	57B-54	401-266	28-17	401-320	39-41	402-897	15-33
400-673	83-16	401-266	39-15	401-329	39-37	402-921	38-45
400-674	57B-39	401-266	74-43	401-330	33A-34	402-960	38-53
400-674	57B-48	401-266	75-62	401-333	49-11	403-054	42-33
400-674	57C-50	401-266	76-54	401-333	81-22	403-055	42-34
400-674	57C-51	401-266	77-64	401-334	32C-32	404-004	19-27
400-674	59-62	401-266	77-65	401-335	38-47	404-004	19A-27
400-674	74-53	401-266	77-75	401-353	74-36	404-004	19B-29
400-674	74-65	401-266	77-106	401-354	74-56	404-100	31A-50
400-674	75-50	401-266	78-29	401-354	75-55	404-100	33-54
400-674	75-63	401-266	83-18	401-355	28A-40	404-100	38-20
400-679	38-20	401-266	85-15	401-359	33A-26	404-100	38-30a
400-680	76-48	401-269	13-56	401-359	33A-31	404-100	38-31
400-686	46-28	401-269	28-11	401-361	33A-26	404-100	50-37
400-686	75-59	401-269	28A-37	401-378	74-49	404-100	57B-39
400-704	75-49	401-269	28A-39	401-385	74-34	404-100	57B-41
400-711	38-21	401-269	28A-51	401-385	75-57	404-100	57B-48
400-723	34-66	401-269	29-15	401-394	32A-12	404-100	57B-53
400-728	72-12	401-269	32C-34	401-400	33A-25	404-100	57B-54
400-744	35-21b	401-269	33-53	401-403	33A-26	404-100	57B-56
400-749	57B-7	401-269	34-51	401-405	33-29	404-100	57C-50
400-749	57C-6	401-269	34-67	401-405	58-55	404-100	57C-51
400-749	59-6	401-269	50-54	401-410	33-30	404-100	57C-58
400-749	67A-6	401-269	77-109	401-411	58-56	404-100	59-62
400-757	38-30	401-269	78-31	401-415	33-30	404-100	59-64
400-761	34-65	401-269	80-23	401-417	58-54	404-100	76-48
400-762	34-83	401-269	81-23	401-456	33-38	404-101	24A-27
400-774	34-84	401-270	2-42	401-461	32A-36	404-101	28-31
400-861	32C-33	401-270	80-24	401-520	66-25	404-101	28-32
400-861	32C-36	401-270	80-26	401-535	56-61	404-101	34-60

PIPER PARTS CATALOG

Part Number	Figure and Index No.	Part Number	Figure and Index No.	Part Number	Figure and Index No.	Part Number	Figure and Index No.
404-101	34-61	404-322	75-45	404-526	10-49	404-526	74-43
401-101	34-66	404-322	76-23	404-526	11-48	404-526	74-50
404-101	35-41	404-325	78-32	404-526	12-30	404-526	74-66
404-101	39-35b	404-326	38-31a	404-526	13-38	404-526	75-53
404-101	45-32	404-391	24A-35	404-526	13-56	404-526	75-54
404-101	46-29	404-391	76-36	404-526	13-57	404-526	75-62
404-101	47-26	404-391	76-37	404-526	13-58	404-526	76-19
404-101	61-10	404-391	75-38	404-526	20-15	404-526	76-19d
404-101	77-73	404-391	80-29	404-526	24-113	404-526	76-39
404-102	34-63	404-391	80-31	404-526	28-11	404-526	76-41
404-102	35-40	404-391	81-35	404-526	28-16	404-526	76-54
404-102	39-34b	404-392	32-22	404-526	28A-38	404-526	77-63
404-102	39-36b	404-392	32E-42	404-526	28A-39	404-526	77-64
404-103	34-73	404-392	57B-53	404-526	29-15	404-526	77-66
404-104	56-63	404-392	57C-52	404-526	30-13	404-526	77-67
404-104	80-27	404-392	59-48	404-526	30-15	404-526	77-68
404-104	81-21	404-392	74-53	404-526	30-16	404-526	77-69
404-105	34-69	404-392	74-60	404-526	30-29	404-526	77-70
404-105	37-25	404-392	75-63	404-526	32C-7	404-526	77-72
404-105	56-63	404-392	74-65	404-526	32C-31	404-526	77-75
404-122	37-37	404-392	75-50	404-526	32C-33	404-526	77-104
404-122	37-47	404-392	75-59	404-526	32C-34	404-526	77-105
404-123	34-73	404-392	76-44	404-526	32C-36	404-526	77-106
404-124	34-69	404-392	79-3	404-526	32C-37	404-526	77-108
404-156	28-17	404-392	80-39	404-526	32C-38	404-526	77-109
404-156	32C-35	404-392	81-36	404-526	33-20	404-526	78-12
404-156	34-13	404-392	82-18	404-526	33-53	404-526	78-26
404-156	72-10	404-392	83-16	404-526	33-55	404-526	78-30
404-156	73-13	404-393	32-38	404-526	33A-32	404-526	78-31
404-156	77-50	404-393	34-22	404-526	33A-33	404-526	78-57
404-156	77-103	404-393	34-70	404-526	34-12	404-526	80-23
404-156	80-22	404-393	38-21	404-526	34-48	404-526	80-24
404-156	80-24	404-393	75-49	404-526	34-50	404-526	80-26
404-156	80-26	404-394	58B-12c	404-526	34-51	404-526	80-30
404-156	80-30	404-394	57C-19c	404-526	34-59	404-526	81-23
404-156	81-20	404-394	59-24f	404-526	34-67	404-526	82-19
404-156	81-29	404-394	67A-19c	404-526	34-71	404-526	82-20
404-156	82-7	404-395	34-65	404-526	34-72	404-526	83-15
404-156	83-9	404-395	34-84	404-526	34-76	404-526	83-18
404-224	24-6	404-395	38-30	404-526	38-43	404-526	84-56
404-224	24-95e	404-395	38-45	404-526	39-15b	404-526	84-59
404-224	50-38	404-421	2-32	404-526	42-15	404-526	85-13
404-224	57B-38	404-421	33A-25	404-526	42-16	404-526	85-14
404-224	57C-49	404-421	33A-26	404-526	42-32	404-526	85-15
404-224	57C-53	404-421	33A-30	404-526	42-33	404-526	86-16
404-224	59-50	404-421	33A-31	404-526	42-34	404-528	16-9
404-224	66-71	404-421	33A-34	404-526	42-35	404-528	26-107
404-224	67A-38	404-421	36-13	404-526	45-60	404-528	27-112
404-224	76-40	404-421	40-18	404-526	46-17	404-528	27A-101
404-225	33-25	404-421	74-34	404-526	47-27	404-528	30-19
404-225	33-27	404-421	74-36	404-526	49-37	404-528	30-27
404-225	33-33	404-421	74-40	404-526	49-46	404-528	30-28
404-225	38-44	404-421	74-49	404-526	50-46	404-528	30-42
404-229	77-28	404-421	74-54	404-526	56-29	404-528	30-45
404-320	76-23	404-421	74-56	404-526	57-43	404-528	37-16
404-321	42-12	404-421	75-55	404-526	57A-33	404-528	44-12
404-321	42-24	404-421	75-56	404-526	57B-40	404-528	77-76
404-321	42-29	404-421	75-57	404-526	57B-55	404-529	24-92
404-322	33-5	404-451	34-75	404-526	57C-57	404-529	49-31
404-322	34-33	404-526	2-38	404-526	59-63	404-529	59-46
404-322	45-14	404-526	2-42	404-526	65-11	404-529	59-49
404-322	74-63	404-526	2-43	404-526	66-83	404-529	59-54

PIPER PARTS CATALOG

Part Number	Figure and Index No.	Part Number	Figure and Index No.	Part Number	Figure and Index No.	Part Number	Figure and Index No.
404-529	79-5	404-532	33-8	406-709	50-25	408-051	34-33
404-529	85-11	404-532	33-30	406-709	50-55	408-051	57A-38
404-530	2-36	404-532	33A-25	406-709	92-7	408-051	58-60
404-530	2-44	404-532	33A-26	406-796	45-52	408-051	58-61
404-530	28-15	404-532	34-83	406-809	22A-10	408-051	58-79
404-530	28-31	404-532	41-6	406-846	16-42	408-051	63-14
404-530	28-32	404-532	41-39	406-848	93-24	408-051	66-108
404-530	28A-10c	404-532	58-54	406-848	93-35	408-813	30-8
404-530	28A-39	404-532	58-55	406-863	22-9	408-813	31-21
404-530	28A-40	404-532	58-56	406-863	22A-8	408-815	57B-15
404-530	28B-24	404-556	15-33	406-863	23-8	408-815	57C-16
404-530	28B-25	404-556	15-34	406-863	23A-45	408-815	59-18
404-530	28C-46	404-751	86-15	406-863	23B-39	408-815	67A-16
404-530	29-10	404-832	38-53	406-863	86-15	408-823	23-21
404-530	29-12	404-840	35-42	406-927	2-26	408-826	22-31
404-530	32A-17	404-843	39-29	406-940	2-25	408-826	22-35
404-530	32C-32	404-885	77-71	406-941	2-25	408-826	23-21a
404-530	33-16	404-891	56-63	406-942	2-25	408-826	23A-16
404-530	36-13	404-891	57-29	406-945	37-8	408-826	23A-16a
404-530	37-8a	404-891	57A-50	406-945	50-45	408-826	23B-14
404-530	37-17	404-891	57A-53	406-974	75-49	408-826	23B-14a
404-530	38-51	404-891	58-58	407-041	22-31	409-910	59-59
404-530	39-37b	404-891	58-59	407-041	23-21a	410-023	24-106
404-530	39-41b	404-891	66-27	407-041	23A-16a	410-043	2-8
404-530	40-18	405-580	33-5	407-041	23B-14	410-076	2-36
404-530	41-6	406-357	18-30	407-041	23B-14a	411-533	64-27
404-530	49-11	406-357	92-20	407-041	23-21	411-533	64-28
404-530	50-35	406-369	57B-13	407-041	23A-16	411-551	34-68
404-530	50D-25	406-369	57C-19b	407-041	57B-18	414-467	2-37
404-530	50D-26	406-369	59-23	407-041	59-24a	414-761	27-102
404-530	57-44	406-369	67A-11a	407-041	93-24	414-761	27A-90
404-530	58-53	406-372	50-55	407-041	93-35	414-763	50-20
404-530	63-11	406-382	2-39	407-043	57B-38	414-763	50-47
404-530	66-111	406-382	16-43	407-043	57B-41	414-763	65-19
404-530	72-11	406-387	43-4	407-043	57B-56	414-769	24-92
404-530	73-14	406-387	44-9	407-043	57C-53	414-769	27-101
404-530	74-45	406-389	30-22	407-043	59-50	414-769	27A-89
404-530	74-60	406-389	31-30	407-043	59-64	414-783	50-51
404-530	75-46	406-415	5-49	407-043	67A-37	415-145	16-9
404-530	76-4	406-424	32B-24a	407-044	34-75	415-146	66-64d
404-530	76-42	406-424	32B-33	407-044	57C-54	415-148	30-42
404-530	76-52	406-424	32E-3c	407-044	59-47	415-148	49-37
404-530	80-25	406-424	32E-8b	407-044	67A-39	415-148	57B-18
404-530	80-37	406-551	77-65	407-045	34-75	415-149	22-8
404-530	81-22	406-551	78-29	407-124	46-13	415-149	22A-7
404-530	81-27	406-616	22-8	407-124	47-25	415-149	23-7
404-530	82-8	406-616	22A-7	407-124	54-52	415-149	23A-44
404-530	83-7	406-616	23-7	407-565	66-24a	415-149	23A-47
404-531	12-28	406-616	23A-44	407-588	33-16	415-150	16-42
404-531	12-29	406-616	23B-38	407-726	32A-36	415-150	22-11
404-531	28A-38	406-646	65-18	407-800	77-108	415-150	22A-11
404-531	28A-40	406-660	38-47	407-801	29-9	415-150	23-10
404-531	29-10	406-660	38-48	407-801	43-3	415-150	30-19
404-531	33-8	406-669	58-82	407-801	43-8	415-150	74-37
404-531	35-21b	406-706	28A-15	407-801	43-9	415-150	75-61
404-531	73-12	406-706	28A-24	408-043	36-8	415-151	16-11
404-454	34-75	406-706	28B-12	408-043	86-15	415-151	22-35
404-532	2-30	406-706	28C-48	408-044	66-72	415-151	23-21
404-532	2-33	406-709	2-37	408-045	57B-17	415-151	23A-16
404-532	2-34	406-709	50-20	408-045	59-21	415-171	44-12
404-532	33-29	406-709	50-21	408-051	33-25	415-179	24-95
404-532	32A-12	406-709	50-23	408-051	33-27	415-179	50-52

PIPER PARTS CATALOG

Part Number	Figure and Index No.	Part Number	Figure and Index No.	Part Number	Figure and Index No.	Part Number	Figure and Index No.
415-309	2-41	416-210	54-52	419-875	22A-22	424-051	57B-53
415-309	51-107	416-329	57-43	419-905	25-88	424-051	57B-54
415-309	52-86	416-348	37-13	419-905	26-110	424-051	57B-56
415-309	53-93b	415-631	59-46	419-920	2-39	424-051	57C-19c
415-312	2-40	416-633	64-26	419-920	16-43	424-051	57C-50
415-312	51-106	416-794	72-10	419-920	43-4	424-051	57C-51
415-312	52-85	416-794	73-13	419-920	44-9	424-051	57C-52
415-312	53-93a	416-942	30-13	419-920	44-10	424-051	57C-55
415-320	2-38	416-990	30-15	419-920	44-11	424-051	57C-58
415-322	13-57	416-993	42-16	419-920	50-55	424-051	59-24f
415-323	13-58	416-994	47-25	419-928	22A-23	424-051	59-48
415-377	26-106	416-995	45-36	419-967	79-14	424-051	59-58
415-377	27-111	416-996	49-22	419-973	24-7	424-051	59-62
415-377	27A-100	416-996	65-22	420-242	38-31b	424-051	59-64
415-378	24-97	416-996	66-84	424-040	45-33	424-051	61-10
415-378	24A-53	416-996	66-113	424-041	24A-35	424-051	66-64f
415-379	57A-33	416-999	20-15	424-041	24A-36	424-051	67A-19c
415-379	57A-52	416-999	66-68	424-041	45-34	424-051	67A-48
415-379	58-9	417-694	56-59	424-041	76-36	424-051	74-41
415-447	22A-9	417-694	67-25	424-041	76-37	424-051	74-53
415-447	23-9	417-694	67A-51	424-041	76-38	424-051	74-60
415-447	23A-46	417-695	56-60	424-041	80-29	424-051	74-65
415-448	18-30	417-775	30-16	424-041	80-31	424-051	75-50
415-448	57B-14	417-775	30-29	424-041	81-35	424-051	75-59
415-448	59-19	417-775	45-59	424-050	39-35c	424-051	76-44
415-448	59-49	417-781	76-40	424-051	24-29	424-051	76-48
415-449	23A-46	418-351	59-47	424-051	24-32	424-051	77-53
415-449	43-4	418-351	63-14	424-051	24-52	424-051	77-54
415-449	44-9	418-420	57C-54	424-051	24-53	424-051	77-74
415-449	44-10	418-420	63-14	424-051	24-78	424-051	75-63
415-449	49-31	418-420	67A-39	424-051	24A-27	424-051	78-25
415-449	92-4	418-457	57B-7	424-051	24A-61	424-051	79-3
415-450	22-9	418-457	59-6	424-051	28-31	424-051	79-4
415-450	22A-8	418-457	67A-6	424-051	28-32	424-051	81-36
415-450	23-8	419-594	24-68d	424-051	28C-43	424-051	82-18
415-450	23A-45	419-594	24A-10a	424-051	28C-44	424-051	83-16
415-450	77-76	419-594	26-110	424-051	30-8	424-052	34-22
415-452	23A-45	419-594	27-88b	424-051	31-21	424-052	34-60
415-458	16-14	419-594	27A-79b	424-051	31A-50	424-052	34-63
415-495	23B-38	419-641	23-43	424-051	32-22	424-052	34-66
415-495	23B-41	419-641	23A-43	424-051	32-38	424-052	35-40
415-497	23B-14	419-646	22A-21	424-051	32E-42	424-052	35-41
415-518	37-11	419-647	22A-20	424-051	33-54	424-052	35-50
415-520	93-24	419-682	30-38	424-051	34-61	424-052	38-46
415-521	93-35	419-682	31B-34	424-051	34-70	424-052	74-39
415-535	23B-40	419-683	22-24	424-051	38-20	424-052	75-49
415-536	23B-39	419-683	23-44	424-051	38-21	424-052	75-51
415-537	23B-39	419-683	24-14	424-051	38-30a	424-052	76-43
415-544	23B-40	419-683	24-80	424-051	38-31	424-052	77-55
415-736	30-28	419-683	31-2	424-051	39-34c	424-052	77-73
415-736	30-33	419-683	31A-52	424-051	39-36c	424-053	74-55
415-737	30-45	419-683	32-39	424-051	45-35	424-053	75-48
415-739	30-27	419-683	79-6	424-051	46-31	424-054	74-35
415-739	30-32	419-692	24-13	424-051	47-24	424-054	74-57
415-741	56-14	419-746	22-10	424-051	47-26	424-054	75-47
415-753	59-53	419-746	23-11	424-051	50-39	424-055	74-42
415-753	59-54	419-746	23A-48	424-051	55-124	424-055	75-35
415-753	79-5	419-746	23B-42	424-051	57B-12c	424-058	55-6
415-754	59-52	419-746	24-57	424-051	57B-39	424-059	37-25
415-754	79-5	419-746	30-51	424-051	57B-41	424-059	38-30
415-754	85-11	419-746	31-31	424-051	57B-46	424-059	38-45
416-087	46-9	419-875	22-24	424-051	57B-48	424-059	56-64

PIPER PARTS CATALOG

Part Number	Figure and Index No.	Part Number	Figure and Index No.	Part Number	Figure and Index No.	Part Number	Figure and Index No.
424-060	34-65	434-128	28-44	450-977	67B-1	451-939	19B-21
424-060	34-69	434-128	49-35	450-993	56-5	452-332	33-1
424-060	34-73	434-129	56-31a	450-997	56-5	452-333	33-2
424-060	34-84	434-129	66-64c	451-103	51-70	452-334	33-25
424-060	80-27	434-131	46-12	451-103	52-70	452-334	33-26
424-060	81-21	434-132	46-11	451-103	53-44	452-334	33-32
424-061	34-69	434-132	52-107	451-103	55-66	452-334	34-7
424-061	67B-27	434-132	52-108	451-127	91-6	452-334	34-42
424-071	37-7	434-133	54-33	451-128	91-8	452-334	34-44
424-071	39-17a	434-133	55-71	451-129	91-7	452-334	38-50
424-077	84-54	434-134	55-70	451-270	91-4	452-334	74-64
424-095	32-37	434-134	56-31a	451-272	91-9	452-334	75-44
424-095	33-16	434-134	66-64c	451-272	92-13	452-335	33-49
424-095	37-37	434-135	55-69	451-272	93-4	452-335	42-11
424-095	37-47	434-135	55-71	451-273	91-10	452-335	42-23
424-095	49-18	434-135	92-12	451-273	92-14	452-335	76-22
424-095	77-110	434-136	55-69	451-273	93-5	452-336	76-22
424-096	77-55	434-142	53-29	451-718	37-61	452-341	33-50
424-123	77-107	434-144	92-11	451-718	41-1	452-366	35-12
424-123	78-34	434-144	93-10	451-728	35-45	452-368	38-16
424-139	84-54	434-151	45-45	451-735	33-3	452-372	77-16
424-140	30-8	434-151	47-23	451-735	37-19	452-372	80-5
424-140	31-21	434-151	52-66	451-735	39-48	452-372	81-8
424-140	32-37	434-151	52-107	451-739	35-46	452-374	77-15
424-141	24-52	434-151	52-108	451-755	33-41	452-383	74-64a
424-142	28C-43	434-159	53-20	451-755	36-1	452-386	28-28
424-146	35-50	450-018	73B-1	451-769	37-62	452-386	28A-8
424-148	77-56	450-030	73B-2	451-769	40-1	452-386	28C-17
424-153	77-57	450-035	73B-2	451-778	37-62	452-386	34-29
424-155	24-53	450-330	18-1	451-778	40-1	452-387	4-29
424-155	77-58	450-380	19-1	451-783	40-24	452-387	1-31
424-162	24-31	450-380	19A-1	451-786	39-50	452-387	5-34
424-163	24-29	450-380	19B-1	451-823	68-33	452-387	5-36
424-172	28C-43	450-397	68-55	451-823	68-35	452-387	50A-4
424-175	48-16	450-611	16-22	451-823	68-37	452-387	50B-7
424-176	45-43	450-646	16-16	451-823	68-39	452-388	80-20
424-177	48-16	450-648	16-20	451-823	68-41	452-388	81-11
424-177	77-74	450-648	87-20	451-824	27-8	452-389	80-16
424-178	24A-36	450-648	88-19	451-831	68A-15	452-389	81-10
424-178	46-32	450-658	16-24	451-834	68A-29	452-394	15-39
424-178	47-24	450-712	17-13	451-854	37-58	452-395	49-17
424-180	78-25	450-728	16-16	451-855	56-22	452-413	77-101
424-181	38-20	450-741	68-65	451-857	51-75	452-413	78-45
424-181	48-17	450-742	68-66	451-857	52-78	452-418	77-102
424-181	48-17a	450-762	16-12	451-857	53-106	452-418	78-44
424-182	77-110	450-762	17-16	451-857	54-77	452-419	33-2
424-184	48-17a	450-765	16-10	451-857	55-100	452-445	34-47
424-184	48-18	450-793	16-12	451-862	51-49	452-445	34-58
424-185	79-4	450-793	17-16	451-862	52-49	452-447	35-23
424-186	79-4	450-799	16-12	451-872	51-39	452-448	35-3
424-187	28-26	450-799	17-15	451-872	52-*8	452-448	35-26
424-187	38-46	450-904	67B-1	451-872	53-25	452-448	35-32
424-195	45-44	450-944	56-5	451-881	19A-20	452-448	39-11
424-204	24A-61	450-948	57-4	451-881	19B-20	452-448	39-20
424-204	28C-44	450-949	57-4	451-906	32A-41	452-465	68-51
424-205	28C-44	450-955	56-5	451-907	32A-42	452-477	35-21a
424-230	33-16	450-957	57-4	451-907	32A-44	452-558	32C-20
424-357	48-19	450-957	57A-6	451-908	32A-43	452-558	32C-23
434-120	84-52	450-960	66-23	451-939	18-29	452-561	32C-30
434-126	85-10	450-963	49-26	451-939	18-31	452-570	32C-19
434-128	20-11	450-964	66-23	451-939	19-14	452-571	32C-13
434-128	28-12	450-968	49-26	451-939	19A-26	452-575	38-5

PIPER PARTS CATALOG

Part Number	Figure and Index No.	Part Number	Figure and Index No.	Part Number	Figure and Index No.	Part Number	Figure and Index No.
452-575	38-9	453-732	28C-3a	454-806	51-83	454-994	53-21
452-584	42-11a	453-802	2-29	454-816	57-42	454-997	30-4
452-605	33-49	453-831	55-67	454-816	57A-34	454-997	31-46
452-606	57B-25	453-836	93-9	454-833	20-23	454-997	31-48
452-606	57B-28	453-838	93-8	454-833	49-36	454-997	31-49
452-606	57C-56	453-855	95-16	454-833	51-83	455-124	33A-12
452-606	59-36	453-856	24-119	454-835	30-21	455-124	35-34
452-679	28A-47	453-857	24-119	454-837	18-16	455-124	37-33
452-680	28A-47	453-884	32C-21	454-837	56-27	455-124	37-54
452-692	28A-47	453-991	56-31b	454-837	57-41	455-124	39-31
452-729	34-28	453-991	66-64e	454-837	57A-35	455-151	73B-13
452-772	31A-21	454-053	33A-14	454-837	53-50	455-173	51-94
452-860	34-32	454-053	35-36	454-837	66-86	455-173	52-120
452-935	32B-7	454-053	37-31	454-838	26-29	455-173	53-16
452-935	32E-13	454-053	37-55	454-852	31B-30	455-173	55-122
453-124	33A-13	454-053	39-33	454-854	45-53	455-259	51-90
453-124	35-35	454-083	68-57	454-862	5-48	455-259	52-96
453-124	37-32	454-161	73B-20	454-873	69-15	455-332	57B-19
453-124	37-53	454-173	49-10	454-887	24-64d	455-332	57C-21
453-124	39-32	454-656	69-8	454-887	3C-14	455-322	59-29
453-141	16-5	454-656	85-9	454-887	30-30	455-333	57B-20
453-141	24-73	454-656	86A-17	454-887	45-54	455-333	57C-22
453-141	25-8	454-658	20-37	454-889	91-17	455-344	57C-20
453-141	26-70	454-662	69-8	454-889	92-22	455-344	67A-20
453-141	27-30	454-663	69-7	454-929	20-20	455-350	57B-20
453-141	27A-45	454-664	87-24	454-929	45-55	455-352	57B-19
453-141	28-35	454-665	69-7	454-934	39-43	455-928	20-14
453-158	33-42	454-668	69A-1	454-950	31-29	455-932	48-25
453-158	34-86	454-668	70-1	454-950	32-36	455-932	48A-1
453-199	34-75	454-669	69A-1	454-950	32-36a	455-938	46-40
453-115	91-17	454-669	70-1	454-981	66-90	455-938	47-29
453-415	92-22	454-670	69A-1	454-983	47-22	455-944	48-25
453-417	93-22	454-670	70-1	454-983	57C-34	455-944	48A-33
453-425	86-6	454-678	70-1	454-983	67-19	455-968	48-25
453-425	86A-10	454-700	69-8	454-983	67A-45	455-968	48A-18
453-425	90-8	454-700	70-1	454-985	10-44	455-968	48A-45
453-426	86-6	454-700	94-4	454-985	11-41	456-012	33-25
453-426	86A-10	454-701	69-7	454-985	31A-38	456-015	33-25a
453-426	90-8	454-701	70-1	454-985	31A-39	456-016	34-31
453-602	69A-5	454-702	70-1	454-985	31A-39a	456-017	33-25a
453-616	18-20	454-703	70-1	454-985	31B-29	456-615	32B-14
453-616	52-63	454-704	70-1	454-985	31B-29a	456-703	95-4
453-616	52-92	454-705	70-1	454-985	32-36	456-703	95-21
453-639	68-72	454-706	69A-1	454-985	32-36a	456-728	72-6
453-653	87-12	454-706	70-1	454-993	30-46	456-728	73-8
453-656	55-116	454-706	94-4	454-993	31-45	456-738	68A-10
453-680	51-63	454-706	96-6	454-993	31-47	458-855	57A-45
453-680	52-64	454-707	69A-1	454-993	31-51	458-855	58-43
453-680	52-71	454-707	70-1	454-993	31A-20	458-855	58-77
453-680	53-32	454-708	69A-1	454-993	31A-21	458-864	54-22
453-680	55-62	454-708	70-1	454-993	31A-47	458-864	55-60
453-687	17-28	454-709	32E-43	454-993	66-89	458-868	51-34
453-691	26-33	454-709	68A-17	454-994	30-2	458-868	51-50
453-691	27-59	454-709	70-1	454-994	30-46	458-868	51-104
453-695	70-43	454-710	68A-17	454-994	31-44	458-868	52-34
453-695	94-9	454-710	70-1	454-994	31-50	458-868	52-50
453-706	26-40	454-711	69A-1	454-994	31-51	458-868	53-24
453-706	29-3	454-711	70-1	454-994	31A-43	458-868	53-89
453-709	17-65	454-719	70-1	454-994	31A-47	458-868	55-48
453-714	48-15	454-800	32-19	454-994	318-16	458-870	56-28
453-721	39-8	454-800	56-57	454-994	51-111	458-870	57-16
453-732	28A-2b	454-804	56-66	454-994	52-114	458-870	58-45

PIPER PARTS CATALOG

Part Number	Figure and Index No.	Part Number	Figure and Index No.	Part Number	Figure and Index No.	Part Number	Figure and Index No.
458-871	55-49	458-934	45-40	460-685	57A-36	462-060	55-9
458-873	52-34	458-934	84-39	460-685	57C-33	462-061	55-88
458-873	52-50	458-935	52-93	460-685	58-46	462-080	32E-3
458-876	54-42	458-936	51-50	460-685	67-18	462-080	32E-7
458-878	52-61	458-936	51-87	460-685	67A-41	462-110	32A-4
458-878	52-61a	458-936	51-104	460-801	2-11	462-111	32A-4
458-880	45-39	458-936	52-93	460-801	38-33	462-112	32A-4
458-881	46-34	458-936	55-48	460-823	2-11	463-372	49-24
458-881	47-16	458-936	54-88	460-823	35-25	463-380	45-58
458-886	56-23	458-938	84-39	460-823	37-23	463-380	46-30
458-886	56-23a	458-940	54-43	460-823	37-36	463-390	92-12
458-886	56-24	458-941	18-29	460-823	38-3	463-394	55-68
458-886	55-25	458-941	18-31	460-823	38-7	463-395	53-19
458-886	57-13	458-945	18-19	460-823	38-33	463-395	55-67
458-886	58-43	458-945	18-22	460-836	19B-22	463-401	55-68
458-886	66-6	458-946	51-32	460-860	38-19	463-401	55-70
458-890	52-58	458-946	52-31	460-888	18-5	463-422	5-47
458-890	52-91	458-946	53-8	460-888	19-18	464-022	24-9
458-892	51-58	458-946	54-56	460-888	19A-6	464-023	77-17
458-892	52-58	458-948	18-21	460-888	19B-6	464-031	24-9
458-892	53-39	458-948	18-23	460-901	27-9	464-046	24-9
458-892	54-19	458-948	19A-16	461-136	76-45	464-362	91-12
458-893	18-21	458-948	19B-28	461-164	59-25	464-362	92-16
458-893	18-23	458-948	21-24	461-386	32B-21	464-362	93-1
458-893	87-27	458-948	51-49	461-386	32B-24	464-412	24A-53a
458-894	37-4	458-948	53-88	461-386	32E-3b	465-256	69-2
458-894	41-11	458-948	55-4	461-386	32E-8a	465-257	69-5
458-894	46-35	458-957	56-23	461-621	69-4	465-258	68A-30
458-894	47-17	458-957	56-23a	461-622	69-4	465-258	69-9
458-894	48-20	458-957	56-24	461-623	69-4	467-064	93-7
458-894	84-35	458-957	56-25	461-629	68A-12	467-065	91-16
458-895	51-57	458-958	18-9	461-629	68A-28	467-066	86-14
458-895	52-57	458-958	19-16	461-629	68A-31	468-002	69-16
458-895	53-37	458-958	19A-18	462-012	68-59	468-002	93-19
458-895	54-18	458-958	19B-17	462-019	51-72	468-006	69-17
458-895	54-41	458-959	51-88	462-019	52-74	468-006	93-20
458-896	52-50	458-959	52-94	462-019	53-97	469-600	93-27
458-896	52-61	459-441	24-102	462-019	54-70	471-049	56-39
458-896	56-23a	460-463	55-117	462-019	55-93	471-049	57-47
458-897	51-61	460-464	51-118	462-019	55-109	471-049	66-92
458-897	52-57	460-464	53-18	462-023	18-4a	471-059	30-60
458-897	52-61	460-464	55-79	462-023	19-5	471-059	31-40
458-898	18-8	460-464	55-117	462-023	19A-5	471-080	24-8
458-898	56-24	460-594	68-71	462-023	19-8-5	471-080	45-30
458-898	56-25	460-602	70-2	462-024	33A-11	471-084	28C-52
458-898	66-6	460-602	95-20	462-024	35-37	471-084	57-49
458-898	66-78	460-630	58-72	462-024	37-30	471-084	57-51
458-900	47-18	460-632	56-12	462-024	37-52	471-084	66-94
458-900	84-38	460-632	57-25	462-024	39-27	471-084	66-96
458-901	51-41	460-632	57A-18	462-034	35-6	471-088	24-59
458-901	52-61a	460-632	66-69	462-034	39-22	471-088	30-52
458-903	52-49	460-634	57-28	462-035	37-56	471-096	24-59
458-904	45-56	460-634	66-76	462-042	68-63	471-096	30-52
458-904	48-24	460-651	51-35	462-046	68-63	472-010	24-4a
458-910	45-41	460-651	52-35	462-049	51-28	472-010	24A-5
458-910	46-37	460-651	53-12	462-049	52-28	472-017	64-12
458-910	46-38	460-651	55-64	462-049	53-14	472-017	65-3
458-910	47-19	460-652	51-67	462-049	54-63	472-017	66-57
458-910	84-40	460-652	52-67	462-050	33A-16	472-036	68-28
458-911	51-62	460-652	53-77	462-058	54-49	472-038	68-27
458-911	52-62	460-680	55-128	462-060	51-119	472-051	70-26
458-920	57-32	460-682	17-55	462-060	53-43	472-054	19-24

PIPER PARTS CATALOG

Part Number	Figure and Index No.	Part Number	Figure and Index No.	Part Number	Figure and Index No.	Part Number	Figure and Index No.
472-054	68A-13	476-648	41-11	477-670	55-10	481-651	80-8
472-054	68A-34	476-648	41-45	477-670	55-78	481-651	81-26
472-054	70-27	476-648	84-33	477-674	43-4	481-666	51-99
472-054	70-42	476-648	84-57	477-677	51-103	481-666	52-109
472-054	96-4	476-662	51-56	477-677	54-58	481-666	53-1
472-056	70-26	476-662	51-86	477-680	55-127	481-681	18-2
472-056	95-19	476-662	51-91	477-691	32A-40	481-701	55-1
472-330	68-20	476-662	52-97	477-696	22-31	481-772	8-25a
472-661	68-62	476-662	53-38	477-696	22-35	481-772	9-38
472-665	68-45	476-662	53-85	477-696	23-21	484-209	68A-16
472-666	68-48	476-662	54-20	477-696	23-21a	484-209	68A-32
472-712	16-35	476-662	55-61	477-696	23A-16	484-222	68A-11
472-736	68-42	476-664	57-14	477-696	23A-16a	484-223	68A-16
472-822	94-7	476-664	66-77	477-696	238-14	484-224	28-42
472-823	94-6	476-667	52-55	477-696	238-14a	484-224	28A-43
472-824	94-8	476-671	51-56	477-696	26-106	484-234	95-18
472-834	68A-5	476-671	51-86	477-696	27-111	484-291	64-17
472-843	68A-6	476-671	52-33	477-696	27A-100	484-291	65-17
472-844	68A-7	476-671	52-56	477-708	28C-45	494-291	66-62a
472-844	68A-33	476-671	52-91	477-709	28A-16	484-303	95-3
472-895	73A-9	476-673	72-7	477-709	28A-26	484-307	51-52
472-896	73A-9	476-673	73-9	477-809	65-20	484-307	53-83
472-969	17-24	476-678	51-33	477-816	50-51	484-307	55-56
472-969	69-20	476-678	51-97	477-816	50-52	484-341	64-17
473-185	26-92	476-678	52-33	480-059	49-25	484-341	66-62a
473-187	32B-20	476-678	52-55	480-063	49-45	484-342	58-64
473-187	32B-23	476-678	53-10	480-426	28C-50	484-348	51-51
473-187	32E-3a	476-678	53-34	480-592	28C-50	484-348	51-65
473-187	32E-8	476-678	54-60	480-683	80-7	484-348	52-51
474-642	93-28	476-678	55-60	480-685	64-5	484-348	52-65
474-647	91-13	476-678	55-118	480-685	64-31	484-348	53-82
474-647	92-17	476-685	51-60	480-685	66-118	484-348	55-55
474-649	91-13	476-685	52-60	480-690	28B-14	484-348	55-63
474-649	92-17	476-688	57A-47	480-694	24-30	484-349	56-73
474-652	91-13	476-688	58-42	480-694	24-54	484-349	66-79
474-652	92-17	476-689	55-119	480-696	76-16	484-351	51-53
474-652	93-2	476-690	55-126	480-696	77-45	484-351	53-86
474-655	93-33	476-705	51-22	480-698	45-12	484-351	55-58
475-110	57-6	476-705	53-30	480-698	76-17a	484-352	55-87
475-110	57A-7	477-618	45-48	480-700	35-27	484-359	55-7
475-111	66-24	477-618	46-39	480-713	77-51	484-359	55-87
475-114	66-24	477-618	47-20	480-714	77-44	484-373	68-80
475-121	56-7	477-618	84-48	480-715	76-17	484-373	72-8
475-123	56-7	477-620	54-47	480-727	28B-13	484-373	73-10
475-123	57-6	477-624	18-7	480-727	66-28	484-375	68-29
475-124	56-7	477-627	54-44	480-730	80-22	484-375	95-5
475-124	57A-7	477-628	54-45	480-730	80-24	484-385	16-4
475-124	58-83	477-629	54-56	480-730	80-26	484-385	24-75
475-125	56-7	477-629	56-82	480-730	81-20	484-385	25-10
475-134	56-7	477-629	57A-43	480-732	28C-47	484-385	26-71
475-210	328-4	477-629	58-90	480-733	76-17a	484-385	27-31
475-210	32E-10	477-629	66-126	480-789	28C-51	484-385	27A-46
476-643	20-39	477-629	84-47	480-790	28C-49	484-385	28-37
476-643	21-23	477-631	51-120	480-800	24A-37	484-407	69-6
476-643	45-57	477-631	54-23	480-801	28C-49	484-416	95-6
476-647	20-38	477-631	55-8	481-333	80-25	484-426	70-21
476-647	21-22	477-650	20-36	481-214	73A-1	484-428	64-5
476-647	51-105	477-650	69-10	481-247	73A-1	484-428	64-31
476-647	52-119	477-657	29-9	481-625	74-33	484-428	65-8
476-647	55-125	477-668	66-70	481-640	78-22	484-428	66-58b
476-647	87-22	477-670	51-117	481-640	85-12	484-428	66-118
476-648	39-46	477-670	53-92	481-651	74-28a	484-436	95-7

PIPER PARTS CATALOG

Part Number	Figure and Index No.	Part Number	Figure and Index No.	Part Number	Figure and Index No.	Part Number	Figure and Index No.
484-457	69A-3	484-799	35-5	487-904	70-41	491-048	51-51
484-457	70-28	484-799	39-21	487-922	27-7	491-048	53-82
484-461	95-22	484-828	35-32a	487-925	59-10	491-048	55-55
484-467	68A-25	484-828	39-25a	487-925	68-73	491-049	51-53
484-484	70-29	484-830	24-95d	487-925	68A-21	491-049	52-53
484-654	56-21	484-841	31A-58	487-926	19-23	491-049	55-56
484-683	33A-21	484-841	31B-37	487-931	21-17	491-050	45-37
484-684	35-7	484-841	32-51	487-936	70-6	491-050	46-33
484-684	39-24	484-843	54-50	488-310	20-7	491-050	47-15
484-685	35-8	485-889	20-26	488-310	21-14	491-050	48-23
484-685	39-25	486-126	32A-18	488-318	51-59	491-050	84-32
484-691	26-109	486-188	37-26	488-318	53-76	491-051	51-54
484-691	27-114	486-190	92-20	488-318	55-5	491-051	51-85
484-691	27A-103	486-274	56-76	488-318	55-54	491-051	52-54
484-697	55-88	486-274	57-62	488-320	45-42	491-051	52-90
484-698	33A-15	486-274	57A-37	488-320	46-36	491-052	51-62
484-698	41-4	486-281	33A-18	488-327	57B-37	491-052	53-84
484-700	45-11	486-281	93B-12	488-327	57C-41	491-052	55-7
484-700	45-51	486-335	58-51	488-327	59-42	491-052	55-57
484-701	45-15	486-560	28A-49	488-327	67A-35	491-053	55-57
484-701	46-7	486-563	76-53	488-336	52-60	491-053	55-87
484-701	46-46	486-570	16-17	488-336	52-87	491-054	51-52
484-701	47-34	486-570	17-52	488-380	20-28	491-054	52-52
484-701	48A-9	486-575	17-52	488-380	21-7	491-054	53-83
484-701	48A-25	486-576	16-17	488-380	21-14	491-054	55-56
484-702	45-17	486-579	16-17	488-381	52-68	491-055	54-35
484-705	33A-18	486-588	16-17	488-389	32A-28A	491-055	56-75
484-706	38-40	486-594	17-52	488-462	68-67	491-055	57-35
484-706	45-16	487-388	91-15	488-474	20-40	491-055	57A-48
484-706	46-8	487-562	64-5a	488-474	21-25	491-055	58-41
484-706	46-51	487-585	66-116	488-483	55-51	491-055	66-88
484-706	47-39	487-587	66-114	488-485	95-8	491-056	54-36
484-706	48A-10	487-598	66-115	488-487	55-52	491-060	45-38
484-706	48A-26	487-629	25-73	488-489	51-104	491-060	46-37
484-711	41-4	487-629	27-20	488-490	51-7	491-060	46-38
484-711	41-35	487-629	27-75	488-490	51-55	491-060	47-14
484-714	39-23	487-629	27A-29	488-490	52-55	491-062	54-38
484-719	38-4	487-629	27A-68	488-490	52-87	491-064	54-37
484-719	38-8	487-632	8-5	488-490	53-11	491-071	55-55
484-720	33A-19	487-632	49-23	488-490	53-90	491-082	51-54
484-721	45-18	487-673	64-32	488-496	51-68	491-082	51-85
484-723	35-9	487-673	66-119	488-496	52-68	491-082	51-116
484-727	46-47	487-674	8-5	488-496	53-31	491-082	53-40
484-727	47-35	487-674	9-4	488-496	55-53	491-082	53-87
484-733	33A-10	487-674	49-23	488-545	68-67	491-082	54-39
484-746	37-40	487-695	29-13	488-666	20-35	491-082	55-59
484-747	77-86	487-700	70-24	489-371	26-31	491-084	55-59
484-747	78-41	487-718	64-5a	489-384	70-19	491-806	51-108
484-748	34-58	487-719	64-32	489-385	70-20	491-806	52-84
484-748	38-41	487-719	65-7	489-388	24-107	491-806	53-41
484-748	48A-1	487-719	66-58c	489-388	26-85	491-806	54-16
484-748	48A-22	487-719	66-119	489-388	27-52	491-806	55-107
484-769	37-21	487-723	58-71	489-388	27A-80	491-947	51-1
484-770	33A-15	487-724	58-70	489-400	69A-2	491-947	52-1
484-788	48A-40	487-769	69-14	489-400	70-20	491-947	53-35
484-788	84-3	487-770	69-13	489-873	77-78	491-947	54-16
484-789	37-51	487-777	68-12	489-873	78-16	492-312	51-102
484-790	35-4	487-827	69-11	489-910	74-51	492-312	51-108
484-790	39-5	487-844	69-11	489-910	75-40	492-312	52-31
484-792	10-12	487-868	70-17	489-910	76-46	492-312	52-84
484-792	11-13	487-901	86-12	489-910	80-35	492-312	53-9
484-792	37-27	487-901	86A-7	489-910	81-32	492-312	53-41

PIPER PARTS CATALOG

Part Number	Figure and Index No.	Part Number	Figure and Index No.	Part Number	Figure and Index No.	Part Number	Figure and Index No.
492-312	54-21	494-133	28C-46	550-617	17-15	551-750	40-1
492-312	54-57	494-133	84-56	550-618	16-12	551-764	37-62
492-312	55-107	494-141	24-106	550-618	17-16	551-764	39-51
492-312	55-112	494-159	85-1a	550-619	49-43	551-764	40-1
492-061	45-49	494-177	48A-43	550-620	49-43	551-766	33-41
492-065	18-14	494-192	84-53	550-629	16-20	551-766	36-1
492-065	19-6	494-227	58-9	550-629	17-49	551-772	35-47
492-065	19A-7	494-227	66-20	550-629	87-20	551-772	36B-1
492-065	19B-8	494-227	67-25	550-629	88-19	551-773	33-41
492-100	21-19	494-227	67A-51	550-640	87-3	551-773	36A-1
492-153	51-78b	494-644	51-27	550-640	88-3	551-792	35-47
492-153	52-80b	494-644	52-27	550-642	87-11	551-792	36-1
492-153	53-96	494-644	53-13	550-642	88-7	551-983	32A-2
492-153	54-76b	494-644	54-62	550-643	88-3	551-983	71A-1
492-153	55-99b	494-678	93-23	550-646	16-15	553-230	32A-10
492-153	55-111b	506-550	33A-27	550-647	16-13	553-261	50-44
492-162	32D-3	510-058	50-55	550-729	17-15	554-575	46-18
492-172	58-81	515-710	26-107	550-730	17-16	554-734	39-45
492-240	19B-8	515-710	27-112	550-777	88-7	554-958	18-26
492-290	55-90	515-710	27A-101	550-778	89-12	554-958	19A-25
492-338	32E-3	519-851	5-49	550-778	90-15	554-958	19B-27
492-339	32E-7	524-145	57B-46	550-779	88-3	554-979	38-26
593-101	76-29	524-145	57C-55	550-780	89-5	554-979	74-52
593-101	76-30	524-145	59-58	550-780	90-5	554-979	75-41
494-001	22-24	524-145	67A-48	550-805	17-13	554-979	76-47
494-001	23-11	548-039	17-21	550-906	67B-1	554-979	77-77
494-001	23-45	548-040	17-21	550-934	58-2	554-979	78-17
494-001	23A-48	548-110	17-16	550-934	67B-1	554-979	80-36
494-001	23B-42	548-111	17-15	550-935	58-2	554-979	81-33
494-001	24-14	548-118	17-16	550-935	67B-1	554-984	54-67b
494-001	24-80	548-119	17-15	550-938	66-23	554-985	19-20
494-001	30-38	548-153	17-21	550-938	67-23	554-985	19A-23
494-001	31-2	548-190	16-24	550-938	67A-33	554-985	19B-24
494-001	31A-52	548-190	17-22	550-938	67B-1	555-013	23A-42
494-001	31B-34	548-679	17-23	550-974	58-2	555-014	23A-42
494-001	32-39	550-456	17-15	550-974	67C-1	555-015	23A-42
494-003	24-13	550-457	17-16	551-114	89-10	555-016	23A-42
494-025	33A-17	550-458	17-16	551-114	90-10	555-017	23A-42
494-040	28A-10c	550-459	17-15	551-174	92-6	555-018	23A-42
494-057	66-114	550-460	17-16	551-175	92-6	555-412	32A-1
494-057	66-115	550-463	17-16	551-176	92-5	555-457	32C-2
494-057	66-116	550-469	17-16	551-177	92-15	555-501	93-111
494-060	58-71a	550-470	17-15	551-207	91-7	555-563	28C-10
494-066	77-65	550-483	16-24	551-209	91-6	555-564	28C-10
494-066	78-29	550-483	17-22	551-216	94-1	555-565	28C-10
494-071	50-55	550-487	68-63	551-219	92-5	555-566	28C-10
494-076	34-73	550-491	17-21	551-232	94-2	555-567	28C-10
494-081	50-20	550-493	17-21	551-368	28-5	555-568	28C-10
494-087	72-10	550-505	17-16	551-368	28A-30	555-699	23A-42
494-087	73-13	550-506	16-12	551-374	28-6	555-700	23A-42
494-093	80-22	550-506	17-15	551-374	28A-31	555-701	23A-42
494-093	80-24	550-507	16-12	551-374	29-4	555-702	23A-42
494-093	80-26	550-507	17-16	551-435	28-5	555-703	23A-42
494-093	81-20	550-509	17-16	551-435	28-A30	555-704	23A-42
494-101	2-37	550-518	16-12	551-701	39-49	555-731	93A-17
494-101	50-47	550-543	17-57	551-701	41-24	555-884	28C-10
494-101	50-51	550-548	17-57	551-703	37-61	555-885	28C-10
494-101	50-55	550-549	17-58	551-703	41-1	555-886	28C-10
494-103	74-58	550-597	16-23	551-711	37-61	555-887	28C-10
494-114	39-34a	550-600	16-12	551-711	39-49	555-888	28C-10
494-123	31A-40	550-600	17-15	551-711	41-1	555-889	28C-10
494-123	32-47	550-617	16-12	551-750	39-51	555-890	28C-10

PIPER PARTS CATALOG

Part Number	Figure and Index No.	Part Number	Figure and Index No.	Part Number	Figure and Index No.	Part Number	Figure and Index No.
555-891	28C-10	571-149	28C-38	579-751	27A-1	579-903	27-25
555-953	28C-10	571-162	32E-30	579-752	27A-1	579-904	27-25
555-954	28C-10	571-162	68A-19	579-753	27A-1	579-905	27-25
555-955	28C-10	572-582	68-23	579-808	26-6	579-906	27-25
555-956	28C-10	579-607	24A-12	579-809	26-6	579-907	27-25
555-957	28C-10	579-608	24A-12	579-810	26-6	579-908	27-25
555-986	23A-42	579-609	24A-12	579-811	26-6	579-908	27A-3
556-105	20-3	579-610	24A-12	579-812	26-6	579-909	27-25
556-105	21-2	579-616	24A-12	579-813	26-6	579-909	27A-3
558-806	48-21	579-617	24A-12	579-814	26-6	579-910	27-25
558-806	84-36	579-618	24A-12	579-815	26-6	579-910	27A-3
558-830	51-50	579-619	24A-12	579-816	24-69	579-911	27-25
558-830	53-89	579-620	24A-12	579-817	24-69	579-911	27A-3
558-830	55-48	579-621	24A-12	579-818	24-69	579-912	27-25
558-831	55-60	579-622	24A-12	579-819	24-69	579-912	27A-3
558-900	18-8	579-623	24A-12	579-824	26-5	579-913	27-25
558-900	19-15	579-624	24A-12	579-825	26-5	579-913	27A-3
558-900	19A-17	579-625	24A-12	579-826	26-5	580-320	26-3
558-900	19B-18	579-626	27A-2	579-827	26-5	580-321	26-3
558-905	55-46	579-627	27A-2	579-828	26-5	580-322	26-3
558-906	51-88	579-628	27A-2	579-829	26-5	580-323	26-3
558-906	53-91	579-629	27A-2	579-830	26-5	580-324	26-5
558-906	55-47	579-630	27A-2	579-831	26-5	580-325	26-5
558-908	66-78	579-636	26-4	579-832	26-3	580-326	26-5
558-910	53-23	579-637	26-4	579-833	26-3	580-327	26-5
558-912	18-19	579-638	26-4	579-834	26-3	580-328	26-5
558-912	18-22	579-639	26-4	579-835	26-3	580-329	26-5
558-912	18-29	579-685	27-24	579-843	27-23	580-330	26-5
558-912	18-31	579-685	27A-2	579-849	27-23	580-331	26-5
558-912	19-17	579-686	27-24	579-866	27-26	580-332	26-4
558-912	19A-19	579-686	27A-2	579-867	27-26	580-333	26-4
558-912	19B-19	579-687	27-24	579-868	27-26	580-334	26-4
558-918	55-46	579-687	27A-2	579-869	27-26	580-335	26-4
559-082	84-37	579-688	27-24	579-870	24-69	580-336	24-69
560-951	51-75	579-688	27A-2	579-870	27-26	580-337	24-69
560-951	52-78	579-690	27-24	579-871	27-26	580-338	24-69
560-951	53-106	579-690	27A-2	579-872	27-26	580-339	24-69
560-951	54-77	579-704	26-3	579-872	27A-4	580-340	26-6
560-951	55-100	579-705	26-3	579-873	27-26	580-341	26-6
561-012	32A-41	579-706	26-3	579-873	27A-4	580-342	26-6
561-012	32A-43	579-707	26-3	579-874	27-26	580-343	26-6
561-013	32A-42	579-709	26-5	579-874	27A-4	580-344	26-6
561-013	32A-44	579-711	26-5	579-875	27-26	580-345	26-6
565-181	26-61	579-712	26-4	579-875	27A-4	580-346	26-6
565-288	68-70	579-713	26-4	579-876	27-26	580-347	26-6
565-415	32A-21	579-714	26-4	579-876	27A-4	580-348	27-23
565-416	68A-8	579-715	26-4	579-877	27-26	580-349	27-23
565-441	32A-21	579-719	26-6	579-877	27A-4	580-350	27-23
565-516	70-25	579-720	26-6	579-878	24-69	580-351	27-23
565-523	93-29	579-722	27-23	579-880	24-69	580-352	27-23
565-564	32A-23	579-723	27-23	579-881	24-69	580-353	27-23
565-566	96-12	579-724	27-23	579-882	24-69	580-354	27-23
565-576	32A-24	579-725	27-23	579-883	24-69	580-355	27-23
565-578	32A-21	579-727	27-23	579-884	24-69	580-356	27-23
565-579	32A-21	579-728	27-23	579-885	24-69	580-357	27-23
565-582	32A-23	579-729	27-23	579-886	24-69	580-358	27-23
571-069	16-2	579-730	27-23	579-887	24-69	580-359	27-23
571-087	86-13	579-731	27-23	579-888	24-69	580-360	27-25
571-103	93-17	579-733	27-23	579-889	24-69	580-360	27A-3
571-131	28B-17	579-748	27A-1	579-897	27-24	580-361	27-25
571-136	68-31	579-749	27A-1	579-897	27A-2	580-361	27A-3
571-149	28A-15e	579-750	27A-1	579-902	27-25	580-362	27-25

PIPER PARTS CATALOG

Part Number	Figure and Index No.	Part Number	Figure and Index No.	Part Number	Figure and Index No.	Part Number	Figure and Index No.
580-362	27A-3	580-717	24A-12	587-903	20-34	591-026	26-45
580-363	27-25	580-719	27A-1	587-903	69-12	591-026	27-34
580-363	27A-3	580-720	26-3	587-923	96-5	591-026	27A-17
580-364	27-25	580-721	26-5	587-952	93A-13	591-027	26-45
580-364	27A-3	580-722	26-4	587-961	56-81	591-027	27-34
580-365	27-25	580-723	26-6	587-961	57A-42	591-027	27A-17
580-365	27A-3	580-727	26-6	587-961	58-89	591-028	26-45
580-366	27-25	580-730	24A-10	587-961	66-125	591-028	27-34
580-367	27-25	580-730	26-11a	587-990	56-83	591-028	27A-17
580-368	27-25	580-731	24A-10	587-990	58-91	591-030	27-34
580-369	27-25	580-731	26-11a	587-990	66-127	591-030	27A-17
580-370	27-25	580-731	27-88a	588-011	93A-14	591-031	26-47
580-371	27-25	580-731	27A-79a	588-011	93C-10	591-031	27-35
580-372	27-24	580-732	27A-2	588-030	93B-6	591-031	27A-18
580-373	27-24	580-733	27A-2	588-356	95-17	591-032	26-47
580-374	27-24	580-734	27A-2	588-391	51-21	591-032	27-35
580-375	27-24	580-735	27-24	588-391	53-31	591-032	27A-18
580-376	27-24	580-735	27A-2	588-391	55-51	591-033	26-47
580-377	27-24	580-736	27A-2	588-436	51-59	591-033	27-35
580-384	24-69	580-737	27A-2	588-436	52-59	591-033	27A-18
580-385	24-69	580-739	27A-1	588-436	53-76	591-035	27-35
580-386	24-69	580-740	26-3	588-436	55-54	591-035	27A-1-8
580-387	24-69	580-741	26-4	588-462	51-104	591-036	26-44
580-388	24-69	580-753	27-23	588-462	53-90	591-037	26-44
580-389	24-69	580-754	27-23	588-469	56-84	591-038	26-44
580-390	24-69	580-785	24A-12	588-469	58-48	591-039	26-44
580-391	24-69	580-786	26-3	588-469	66-128	591-040	26-44
580-392	24-69	580-787	26-3	589-688	32B-10	591-041	26-44
580-393	24-69	580-788	26-5	591-000	26-50	591-142	27-37
580-394	24-69	580-789	26-4	591-001	26-50	591-142	27A-20
580-395	24-69	580-790	26-4	591-002	26-50	591-143	27-37
580-396	27-26	580-792	26-6	591-003	26-43	591-143	27A-20
580-396	27A-4	580-881	33-36	591-004	26-43	591-144	27-37
580-397	27-26	580-887	54-61	591-006	27-38	591-144	27A-20
580-397	27A-4	580-894	91-11	591-007	27-38	591-146	27-37
580-398	27-26	580-942	26-43	591-008	27-38	591-146	27A-20
580-398	27A-4	581-025	65-21	591-010	27-38	591-147	27-33
580-399	27-26	581-126	85-16	591-011	27A-21	591-147	27A-16
580-399	27A-4	581-330	82-22	591-012	27A-21	591-148	27-33
580-400	27-26	581-332	82-21	591-013	27A-21	591-148	27A-16
580-400	27A-4	581-489	24-103	591-015	27A-21	591-149	27-33
580-401	27-26	581-928	23A-49	591-016	26-49	591-149	27A-16
580-401	27A-4	581-928	23B-43	591-016	27-39	591-151	27-33
580-402	27-26	584-256	32A-42	591-016	27A-22	591-151	27A-16
580-403	27-26	584-256	32A-44	591-017	26-49	591-152	27-33
580-404	27-26	584-257	32A-43	591-017	27-39	591-152	27A-16
580-405	27-26	584-258	32A-41	591-017	27A-22	591-153	27-33
580-406	27-26	584-291	68A-16	591-018	26-49	591-153	27A-16
580-407	27-26	585-015	68-26	591-018	27-39	591-154	27-33
580-408	27A-1	587-221	24-78	591-018	27A-22	591-154	27A-16
580-409	27A-1	587-299	28A-9	591-020	27A-22	591-156	27-33
580-410	27A-1	587-299	28C-16	591-021	26-49	591-156	27A-16
580-411	27A-1	587-381	24A-32	591-021	27-39	591-157	27-36
580-412	27A-1	587-398	24A-26	591-021	27A-22	591-157	27A-19
580-413	27A-1	587-404	28C-12	591-022	26-49	591-158	27-36
580-710	24A-12	587-807	95-10	591-022	27-39	591-158	27A-19
580-712	27-25	587-808	95-11	591-022	27A-22	591-159	27-36
580-712	27A-3	587-808	95-12	591-023	26-49	591-159	27A-19
580-713	27-24	587-808	95-13	591-023	27-39	591-161	27-36
580-713	27A-2	587-809	95-14	591-023	27A-22	591-161	27A-19
580-716	27-26	587-844	68A-14	591-025	27-39	591-162	27-36
580-716	27A-4	587-903	68A-23	591-025	27A-22	591-162	27A-19

PIPER PARTS CATALOG

Part Number	Figure and Index No.	Part Number	Figure and Index No.	Part Number	Figure and Index No.	Part Number	Figure and Index No.
591-163	27-36	591-401	27A-87	591-573	26-46	690-609	74-65
591-163	27A-19	591-403	27-99	591-575	26-46	690-609	75-53
591-164	27-36	591-403	27A-87	591-577	26-48	690-609	75-59
591-164	27A-19	591-471	27-40	591-579	27-99	690-609	77-50
591-166	27-36	591-472	27-40	591-579	27A-87	690-609	77-62
591-166	27A-19	591-472	27A-23	591-580	27-99	690-609	77-64
591-182	26-47	591-473	27-40	591-580	27A-87	690-609	77-67
591-182	27-35	591-473	27A-23	596-032	86-18	690-609	77-69
591-183	26-47	591-474	27-40	596-059	93-11	690-609	77-70
591-183	27-35	591-474	27A-23	596-118	93-15	690-609	77-75
591-183	27A-8	591-487	26-50	596-138	94-3	690-609	77-103
591-184	26-47	591-489	26-43	596-181	94-3	690-609	78-23
591-184	27-35	591-491	27-40	596-332	93-32	690-609	78-26
591-184	27A-18	591-491	27A-23	596-512	90-10	690-609	78-28
591-186	27-35	591-492	27-40	596-605	97-1	690-609	78-57
591-186	27A-18	591-492	27A-23	596-664	93-32	690-609	79-3
591-190	26-44	591-493	27-38	597-257	93C-3	690-609	80-23
591-191	26-44	591-494	27-38	597-461	93C-1	690-609	80-30
591-192	26-44	591-495	27A-21	599-677	38-28	690-609	81-23
591-196	26-44	591-496	27A-21	603-350	44-10	690-609	81-29
591-197	26-44	591-497	26-49	603-350	44-11	690-609	81-36
591-198	26-44	591-497	27-39	603-800	27-101	690-609	84-56
591-216	27-33	591-497	27A-22	603-800	27-102	690-609	84-59
591-216	27A-16	591-498	27-39	603-800	27A-89	690-611	2-44
591-217	27-33	591-498	27A-22	603-800	27A-90	690-611	24A-27
591-217	27A-16	591-499	26-49	603-820	28A-10b	690-611	28-15
591-218	27-33	591-499	27-39	681-145	24-22A	690-611	28-31
591-220	27-33	591-499	27A-22	688-164	90-16	690-611	28-32
591-220	27A-16	591-500	27-39	690-076	32A-28B	690-611	28A-16
591-225	27-33	591-500	27A-22	690-401	38-27	690-611	28A-26
591-225	27A-16	591-501	26-45	690-402	38-25	690-611	28A-39
591-226	27-33	591-501	27-34	690-609	12-30	690-611	28A-40
591-226	27A-16	591-501	27A-17	690-609	15-33	690-611	28B-24
591-227	27-33	591-502	27-34	690-609	15-34	690-611	28C-44
591-227	27A-16	591-502	27A-17	690-609	20-15	690-611	29-10
591-228	27-33	591-503	26-47	690-609	29-15	690-611	29-12
591-228	27A-16	591-503	27-35	690-609	33-53	690-611	32-22
591-275	26-45	591-503	27A-18	690-609	33-54	690-611	32C-32
591-275	27-34	591-504	27-35	690-609	33-55	690-611	33A-34
591-275	27A-17	591-504	27A-18	690-609	34-50	690-611	34-22
591-276	26-45	591-505	26-44	690-609	34-51	690-611	34-60
591-276	27-34	591-507	26-44	690-609	34-71	690-611	35-41
591-276	27A-17	591-543	27-37	690-609	38-20	690-611	36-12
591-277	26-45	591-543	27A-20	690-609	38-30a	690-611	37-9
591-277	27-34	591-544	27-37	690-609	38-31	690-611	38-21
591-277	27A-17	591-544	27A-20	690-609	39-15a	690-611	38-51
591-279	27-34	591-545	27-33	690-609	45-46	690-611	38-52
591-279	27A-17	591-545	27A-16	690-609	46-14	690-611	39-35a
591-390	26-46	591-546	27-33	690-609	47-24	690-611	40-20
591-391	26-46	591-546	27A-16	690-609	50-41	690-611	46-16
591-392	26-46	591-547	27-33	690-609	55-124	690-611	47-26
591-393	26-46	591-547	27A-16	690-609	56-29	690-611	50-35
591-394	26-46	591-548	27-33	690-609	57B-46	690-611	50-42
591-395	26-46	591-548	27A-16	690-609	57C-55	690-611	50-43
591-396	26-48	591-549	27-36	690-609	59-48	690-611	50D-25
591-397	26-48	591-549	27A-19	690-609	59-58	690-611	50D-26
591-398	26-48	591-550	27-36	690-609	64-28	690-611	56-15
591-399	27-99	591-550	27A-19	690-609	65-22	690-611	58-60
591-399	27A-87	591-551	27-36	690-609	66-82	690-611	58-61
591-400	27-99	591-551	27A-19	690-609	66-113	690-611	58-79
591-400	27A-87	591-552	27-36	690-609	67A-48	690-611	58-87
591-401	27-99	591-552	27A-19	690-609	74-60	690-611	61-10

PIPER PARTS CATALOG

Part Number	Figure and Index No.	Part Number	Figure and Index No.	Part Number	Figure and Index No.	Part Number	Figure and Index No.
690-611	63-14	690-612	57C-57	690-613	28C-44	690-619	67A-17
690-611	66-19	690-612	58-51	690-613	28C-46	690-619	74-38
690-611	67-14	690-612	59-48	690-613	32-38	690-619	77-61
690-611	67A-26	690-612	59-63	690-613	32A-17	690-620	32A-29
690-611	72-11	690-612	59-64	690-613	33-16	690-620	32A-35
690-611	73-14	690-612	65-11	690-613	34-61	690-620	32A-36
690-611	74-45	690-612	66-72	690-613	34-70	690-620	32A-37
690-611	74-60	690-612	66-82	690-613	35-41	690-628	32A-34
690-611	75-46	690-612	72-10	690-613	38-52	690-620	33A-25
690-611	75-49	690-612	73-13	690-613	39-37a	690-620	33A-26
690-611	76-4	690-612	74-43	690-613	41-7	690-620	34-73
690-611	76-52	690-612	74-50	690-613	41-22	690-620	34-84
690-611	77-49	690-612	74-53	690-613	41-41	690-620	38-30
690-611	77-103	690-612	74-65	690-613	45-47	690-620	41-7
690-611	80-25	690-612	74-66	690-613	49-11	690-620	41-38
690-611	81-22	690-612	75-50	690-613	50-53	690-623	49-19
690-612	2-38	690-612	75-53	690-613	57-44	690-623	77-111
690-612	2-42	690-612	75-54	690-613	58-53	690-623	78-33
690-612	2-43	690-612	75-59	690-613	63-11	690-626	56-82
690-612	10-49	690-612	75-62	690-613	66-111	690-626	57A-43
690-612	11-48	690-612	75-63	690-613	74-45	690-626	58-90
690-612	13-38	690-612	76-19	690-613	75-49	690-626	66-126
690-612	15-33	690-612	76-19d	690-613	76-42	690-627	34-69
690-612	15-34	690-612	76-35	690-613	77-60	690-628	2-32
690-612	24-113	690-612	76-39	690-613	77-68	690-628	28A-40
690-612	28-17	690-612	76-41	690-613	77-74	690-628	29-10
690-612	28C-43	690-612	76-44	690-613	77-110	690-628	33-10
690-612	31A-50	690-612	76-48	690-613	80-25	690-628	33A-30
690-612	32C-7	690-612	76-54	690-613	82-8	690-628	33A-31
690-612	32C-31	690-612	77-63	690-613	83-7	690-628	33A-34
690-612	32C-33	690-612	77-66	690-614	42-32	690-628	34-63
690-612	32C-34	690-612	77-68	690-614	42-35	690-628	34-75
690-612	32C-35	690-612	77-72	690-614	57A-52	690-628	37-37
690-612	32C-36	690-612	77-104	690-616	49-31	690-628	37-47
690-612	32C-37	690-612	77-105	690-616	59-46	690-628	39-34a
690-612	32C-38	690-612	77-106	690-616	59-54	690-628	40-20
690-612	32E-42	690-612	77-108	690-616	59-59	690-628	66-64f
690-612	33-55	690-612	77-109	690-616	85-11	690-628	72-12
690-612	33-53	690-612	77-110	690-617	42-33	690-628	73-12
690-612	33A-32	690-612	78-19	690-617	42-34	690-628	74-34
690-612	33A-33	690-612	78-30	690-617	57A-33	690-628	74-36
690-612	34-12	690-612	78-31	690-618	16-42	690-628	74-40
690-612	34-59	690-612	80-24	690-618	79-5	690-628	74-44
690-612	34-72	690-612	80-26	690-618	86-15	690-628	74-49
690-612	34-76	690-612	80-39	690-619	12-28	690-628	74-54
690-612	35-38	690-612	81-23	690-619	12-29	690-628	74-56
690-612	38-30a	690-612	81-36	690-619	24-95	690-628	75-22a
690-612	38-43	690-612	82-7	690-619	24A-53	690-628	75-46
690-612	38-46	690-612	82-18	690-619	32A-38	690-628	75-55
690-612	46-15	690-612	82-19	690-619	33A-25	690-628	75-56
690-612	47-27	690-612	82-20	690-619	33A-26	690-628	75-57
690-612	49-22	690-612	83-9	690-619	34-63	690-628	75-58
690-612	50-40	690-612	83-16	690-619	35-21b	690-629	2-30
690-612	56-29	690-612	83-17	690-619	35-40	690-629	2-33
690-612	57-43	690-612	83-18	690-619	37-37	690-629	2-34
690-612	57B-40	690-612	85-13	690-619	37-38	690-629	2-35
690-612	57B-41	690-612	85-14	690-619	37-47	690-629	32A-12
690-612	57B-48	690-612	85-15	690-619	39-36a	690-629	33-10
690-612	57B-53	690-612	86-16	690-619	41-22	690-629	33-29
690-612	57B-54	690-613	2-36	690-619	57B-16	690-629	33-30
690-612	57B-55	690-613	2-44	690-619	57C-17	690-629	38-45
690-612	57C-50	690-613	24A-61	690-619	59-20	690-629	46-56

PIPER PARTS CATALOG

Part Number	Figure and Index No.	Part Number	Figure and Index No.	Part Number	Figure and Index No.	Part Number	Figure and Index No.
690-629	47-44	691-309	82-8	751-799	53-3	752-338	41-14
690-629	48A-4	691-309	83-7	751-799	55-3	752-338	41-18
690-629	54-51	691-311	33-16	751-810	40-14	752-342	41-14
690-629	58-54	691-314	33A-30	751-815	18-15	752-342	41-18
690-629	58-55	691-315	35-40	751-815	19-7	752-511	67B-6
690-629	58-56	691-315	39-34	751-815	19A-8	752-513	67B-26
690-629	67B-5	691-315	39-36	751-815	19B-9	752-533	67B-12
690-629	74-48	691-316	39-34	751-819	36-9	752-534	67B-7
690-630	47-21	691-359	2-33	751-820	67B-19	752-571	36A-13
690-630	56-65	691-317	2-30	751-858	52-110	752-571	36B-10
690-630	57-29	691-318	2-34	751-859	18-4	752-572	67C-5
690-630	57A-50	691-339	34-69	751-859	19-4	752-584	48A-39
690-630	57A-53	750-063	36-6	751-859	19A-4	752-585	34-4
690-630	58-58	751-118	17-17	751-859	19B-4	752-585	48A-41
690-630	58-59	751-118	57C-28	751-871	55-91a	752-591	67C-18
690-630	66-26	751-118	67-17	751-872	51-100	752-592	67C-19
690-630	80-27	751-118	67A-40	751-872	52-110	752-593	67C-20
690-630	81-21	751-201	68-50	751-872	53-2	752-594	67C-21
690-630	84-49	751-201	73A-13	751-872	55-2	752-595	34-3
690-631	24-93	751-202	68-47	751-889	46-45	752-596	34-5
690-631	24A-52	751-202	73A-13	751-897	86-7	752-749	41-17
690-631	32A-30	751-203	68-44	751-897	86A-12	752-749	41-26
690-631	38-53	751-232	87-4	751-912	17-40	752-751	41-3
690-621	84-54	751-262	88-4	751-915	16-56	752-751	41-34
690-639	24A-38	751-278	86-2	751-954	88-12	752-768	41-16
690-640	16-9	751-283	89-2	751-955	71-5	752-768	41-25
690-640	24-29	751-283	90-2	751-956	71-12	752-826	41-15
690-640	24-32	751-291	16-34	751-987	89-9	752-826	41-19
690-640	24A-35	751-312	73A-8	751-987	90-9	752-826	41-28
690-640	27-112	751-316	93A-3	752-020	67B-2	752-826	41-33
690-640	27A-101	751-318	93A-4	752-055	16-27	752-830	36-10
690-640	30-45	751-319	93A-5	752-057	16-28	752-830	40-12
690-640	37-10	751-381	68-46	752-058	16-29	752-855	46-54
690-640	44-12	751-381	68-49	752-070	16-26	752-855	47-42
690-640	49-37	751-381	73A-14	752-071	16-30	752-855	48A-17
690-640	75-61	751-384	36-11	752-076	16-27	752-865	71-7
690-640	76-36	751-384	40-19	752-078	16-28	752-866	71-10
690-640	76-37	751-402	41-5	752-079	16-29	752-867	71-11
690-640	77-71	751-402	41-37	752-081	16-26	752-882	36-7
690-640	77-76	751-405	36-11	752-082	16-30	752-882	40-9
690-640	81-35	751-405	40-19	752-084	16-29	752-882	43-10
690-643	24-97	751-412	87-23	752-084	16-29	752-882	43-10
690-647	24-109	751-412	88-21	752-096	16-28	752-892	69-18
690-651	30-8	751-412	88-21	752-097	16-27	752-947	40-22
690-651	31-21	751-450	41-21	752-098	16-30	752-953	41-29
690-651	31-21	751-450	41-40	752-099	16-29	752-955	87-10
690-651	32-37	751-453	16-36	752-100	16-26	752-965	41-43
690-657	13-38	751-489	36-6	752-101	16-26	752-966	41-9
690-657	13-56	751-489	40-7	752-102	16-31	752-966	41-42
690-657	13-57	751-494	36-3	752-112	16-26	752-967	87-18a
690-657	13-58	751-494	36-5	752-113	16-26	753-004	87-7
690-664	39-41a	751-494	40-3	752-114	16-30	753-036	88-14
690-664	42-31	751-494	40-6	752-114	16-30	753-036	88-14
690-668	28A-10b	751-510	40-23	752-120	16-56	753-085	32C-14
690-668	28C-43	751-521	87-14	752-121	16-29	753-128	36-2
690-668	35-50	751-525	87-15	752-301	24-10	753-128	40-5
690-668	77-59	751-525	88-13	752-301	24A-20	753-129	36-4
691-220	48-22	751-772	40-11	752-307	68-52	753-171	40-4
691-223	52-60	751-772	40-14	752-308	41-14	753-172	46-48
691-223	52-87	751-783	87-8	752-308	41-18	753-172	47-36
691-308	34-60	751-796	55-91b	752-308	41-27	753-172	48A-11
691-308	39-35	751-799	51-101	752-309	41-32	753-176	40-2
691-334	35-41	751-799	52-111	752-328	69-19	753-178	40-21
				752-333	88-9	753-212	16-62

PIPER PARTS CATALOG

Part Number	Figure and Index No.	Part Number	Figure and Index No.	Part Number	Figure and Index No.	Part Number	Figure and Index No.
753-375	71-3	754-530	40-8	755-934	67B-16	756-517	58-81
753-376	71-9	754-535	40-8	755-935	67B-30	756-607	67B-22
753-377	49-27	754-545	40-8	755-943	71-7	756-616	17-42
753-378	49-28	754-575	18-1	755-944	71-10	756-620	48A-23
753-379	41-21	754-575	19A-1	755-945	71-11	756-621	48A-31
753-380	71-22	754-575	19B-1	755-948	46-42	756-621	48A-55
753-381	46-52	754-804	36-9	755-948	47-31	756-622	48A-28
753-381	47-40	754-814	67B-19	755-949	47-32	756-622	48A-50
753-381	48A-15	754-826	67B-19	755-950	46-44	756-626	67B-10
753-407	41-5	754-827	71A-5	755-950	47-46	756-665	36-2
753-408	41-21	754-848	48A-42	755-964	36-14	756-665	40-5
753-431	68-43	754-855	36A-10	755-968	67B-14	756-666	36-4
753-460	89-8	754-856	36B-6	755-972	67B-21	756-666	40-2
753-461	67B-3	755-028	48A-32	755-993	67B-18	756-667	36-2
753-463	67B-15	755-042	73A-6	755-994	67B-28	756-668	36-4
753-464	67B-20	755-048	36-3a	755-995	67B-24	756-685	36A-12
753-465	67B-20	755-075	73A-16	755-996	34-5a	756-685	36B-9
753-496	89-4a	755-076	73A-17	755-997	38-42	756-686	36B-2
753-496	90-4a	755-082	48A-52	755-998	34-5d	756-687	36A-4
753-622	87-18	755-200	73A-7	755-999	40-10	756-688	36A-2
753-642	88-8	755-222	67B-2	755-999	40-13	756-689	67C-4
753-721	86-1	755-232	71A-9	755-999	40-15	756-716	88-11
753-721	89-1	755-271	71A-19	756-007	36-14	756-720	88-6
753-721	90-1	755-272	32A-24	756-008	36-10	756-737	88-22
753-849	41-2	755-278	67C-2	756-014	71-7	756-746	Misc.
753-850	41-10	755-411	17-34	756-016	48A-54	756-757	71-15
753-850	41-44	755-427	16-13	756-018	48A-53	756-759	71-19
753-860	87-16	755-427	17-19	756-019	48A-30	756-761	71-21
753-861	87-13	755-428	16-15	756-035	55-91g	756-783	Misc.
753-867	41-36	755-428	17-20	756-036	55-91d	756-785	Misc.
753-876	88-10	755-432	86A-1	756-037	73A-10	756-790	Misc.
753-877	88-4	755-441	17-17	756-052	86-2a	756-791	91-5
753-880	88-23	755-619	30-22	756-053	34-5c	756-810	Misc.
753-885	41-2	755-800	67B-9	756-053	38-42a	756-825	Misc.
753-910	18-3	755-810	48A-8	756-055	68-58	756-893	Misc.
753-910	19-3	755-815	41-12	756-060	71A-11	756-896	Misc.
753-910	19A-3	755-816	41-13	756-061	71A-13	756-897	Misc.
753-910	19B-3	755-818	41-23	756-064	71-7	756-898	Misc.
753-917	48A-2	755-825	88-20	756-065	71-7	756-899	Misc.
753-920	41-2	755-829	41-30	756-066	71-25	756-907	16-57
753-948	16-59	755-830	41-31	756-067	71-23	756-930	Misc.
753-949	16-60	755-846	71-4	756-107	52-111	756-941	Misc.
753-956	46-41	755-850	41-3	756-117	46-53	757-004	Misc.
753-956	47-30	755-851	41-4	756-117	47-41	757-027	Misc.
753-978	86-4	755-852	41-12	756-117	48A-16	757-042	Misc.
753-980	86-8	755-854	41-16	756-118	46-55	757-046	Misc.
753-980	86A-4	755-855	41-17	756-118	47-43	757-052	89-3
753-980	89-6	755-856	41-23	756-118	48A-6	757-052	89-11
753-980	90-6	755-857	48A-12	756-118	48A-27	757-052	90-3
754-209	87-6	755-858	48A-13	756-118	48A-51	757-052	90-11
754-210	87-5	755-882	46-57	756-127	41-20	757-085	Misc.
754-211	87-17	755-882	47-45	756-128	40-17	757-088	Misc.
754-360	91-5	755-882	48A-5	756-129	36-8	757-090	Misc.
754-366	88-5	755-883	41-12	756-129	40-16	757-112	Misc.
754-401	Misc.	755-884	41-13	756-155	54-65	757-123	Misc.
754-431	Misc.	755-885	41-16	756-159	71-2	757-131	Misc.
754-462	Misc.	755-886	41-17	756-160	71-6	757-135	Misc.
754-464	Misc.	755-887	41-3	756-250	71-6	757-137	Misc.
754-477	Misc.	755-916	48A-3	756-256	16-61	757-138	Misc.
754-497	Misc.	755-917	48A-7	756-257	88-28	757-140	Misc.
754-498	Misc.	755-919	55-91c	756-307	16-58	757-141	Misc.
754-518	40-8	755-932	67B-8	756-398	93A-1	757-142	71-17

PIPER PARTS CATALOG

Part Number	Figure and Index No.	Part Number	Figure and Index No.	Part Number	Figure and Index No.	Part Number	Figure and Index No.
757-143	71-20	757-746	71-8	758-534	55-91	761-157	73A-12
757-148	55-90	757-762	73A-3	760-189	Misc.	781-158	73A-9
757-152	Misc.	757-790	19B-9a	760-195	Misc.	761-159	73A-9
757-163	Misc.	757-827	67B-31	760-796	Misc.	761-161	73A-5
757-165	Misc.	757-828	67B-31	760-198	Misc.	761-162	73A-15
757-181	Misc.	757-831	36-3	760-199	Misc.	761-189	73A-3
757-182	Misc.	757-831	36-5	760-209	Misc.	761-190	73A-5
757-184	Misc.	757-855	86-3	760-210	Misc.	761-198	96-3
757-188	Misc.	757-863	86-5	760-284	Misc.	761-206	67C-13
757-197	Misc.	757-863	86A-13	760-287	Misc.	761-519	32C-12
757-198	Misc.	757-863	89-7	760-292	Misc.	761-903	71A-12
757-216	46-49	757-863	90-7	760-296	Misc.	761-913	71-16
757-216	47-37	757-878	86-20	760-297	Misc.	761-939	93A-1
757-217	46-50	757-878	86A-5	760-365	Misc.	761-967	93A-1
757-217	47-38	757-878	90-12	760-383	Misc.	761-970	33-4
757-249	67B-17	757-899	18-5a	760-384	Misc.	761-970	37-18
757-268	45-50	757-899	19-19	760-455	24-4	761-970	39-47
757-302	67B-25	757-899	19A-6a	760-455	Misc.	761-972	37-18
757-310	17-41	757-899	19B-7	760-450	24-4	761-974	35-45
757-316	48A-19	757-913	86A-6	760-456	Misc.	761-984	67C-10
757-317	48A-20	757-952	90-17	760-458	Misc.	761-994	33-4
757-318	48A-29	757-981	71-18	760-459	Misc.	761-994	37-18
757-318	48A-49	758-002	90-17	760-460	Misc.	761-994	39-47
757-336	67B-18	758-023	90-2	760-480	Misc.	761-995	37-18
757-386	71A-3	758-024	90-48	760-481	Misc.	762-030	93B-1
757-386	71A-22	758-092	93B-3	760-510	Misc.	762-244	71A-2
757-387	71A-4	758-111	67B-4	760-532	Misc.	762-275	48A-38
757-387	71A-20	758-147	67B-13	760-537	Misc.	762-276	48A-35
757-388	71A-14	758-156	67B-13	760-542	Misc.	762-277	48A-36
757-389	71A-15	758-157	67-13	760-546	Misc.	762-318	67C-15
757-390	71A-16	758-176	55-91f	760-562	Misc.	762-319	67C-3
757-392	71A-6	758-181	86A-8	760-681	Misc.	762-357	93C-6
757-437	48A-24	758-188	86A-2	760-682	Misc.	762-438	70-4
757-479	48A-37	758-204	67B-20	760-697	Misc.	762-503	55-91a
757-480	48A-34	758-221	67B-13	760-706	32C-10	762-508	71A-21
757-555	67B-23	758-222	67B-13	760-780	Misc.	762-531	48A-44
757-556	67B-23	758-223	67B-13	760-794	Misc.	762-558	36A-8
757-557	67B-29	758-224	71A-7	760-842	Misc.	762-559	36A-7
757-558	67B-32	758-249	71-22	760-895	55-90	762-560	36B-5
757-559	67B-33	758-251	71-24	760-842	Misc.	762-561	36B-7
757-561	54-66	758-266	93A-6	760-900	Misc.	762-562	36A-9
757-579	86-1a	758-267	93A-7	760-901	Misc.	762-564	67C-6
757-579	86A-15	758-280	67B-35	760-902	Misc.	762-585	48A-48
757-579	89-1a	758-281	93A-2	760-928	71-8	762-586	48A-59
757-579	90-1a	758-282	67B-34	760-992	Misc.	762-587	48A-46
757-580	48A-21	758-296	86A-16	760-993	Misc.	763-003	24-68b
757-580	48A-56	758-364	93A-2	761-002	Misc.	763-003	24A-9a
757-581	89-4	758-368	71-24	761-003	Misc.	763-003	26-11
757-581	90-4	758-369	71-12	761-008	Misc.	763-003	27-88
757-583	67B-11	758-391	36-84	761-039	80-2b	763-003	27A-79
757-592	86-3a	758-392	36A-6	761-039	81-4	763-004	93B-4
757-595	86-1	758-393	36B-8	761-074	Misc.	763-005	67C-11
757-595	86A-14	758-394	36A-11	761-077	8-25a	763-019	93C-4
757-595	90-1	758-395	67C-16	761-077	9-38	763-215	36B-3
757-597	69A-18	758-396	67C-7	761-088	Misc.	763-216	36A-3
757-597	70-4	758-397	35-48	761-089	Misc.	763-216	36A-5
757-632	55-91e	758-402	68-52	761-090	Misc.	763-217	67C-8
757-718	32C-15	758-452	93C-2	761-103	Misc.	763-412	67C-14
757-719	71A-18	758-453	93C-5	761-138	84-2a	763-413	67C-9
757-721	71A-17	758-457	48A-58	761-150	32B-3	763-414	67C-12
757-744	71-6	758-471	71A-8	761-150	32E-9	763-450	48A-57
757-745	71-6	758-528	93B-2	761-156	73A-11	763-451	48A-47

PIPER PARTS CATALOG

Part Number	Figure and Index No.	Part Number	Figure and Index No.	Part Number	Figure and Index No.	Part Number	Figure and Index No.
763-814	32E-29						
763-815	68A-24						
763-828	Misc.						
763-842	Misc.						
763-848	2-19						
763-874	Misc.						
763-883	55-86						
763-890	Misc.						
763-920	Misc.						
763-962	Misc.						
763-966	Misc.						
763-967	Misc.						
764-114	25-47						
764-114	26-23						
764-114	27-80						
764-114	27A-71						
764-347	71-50						
764-372	71-50						
764-928	Misc.						
764-981	Misc.						
765-303	Misc.						
765-157	Misc.						
765-186	Misc.						
767-310	Misc.						
767-397	Misc.						
767-510	Misc.						

THIS PAGE INTENTIONALLY LEFT BLANK

THIS PAGE INTENTIONALLY LEFT BLANK